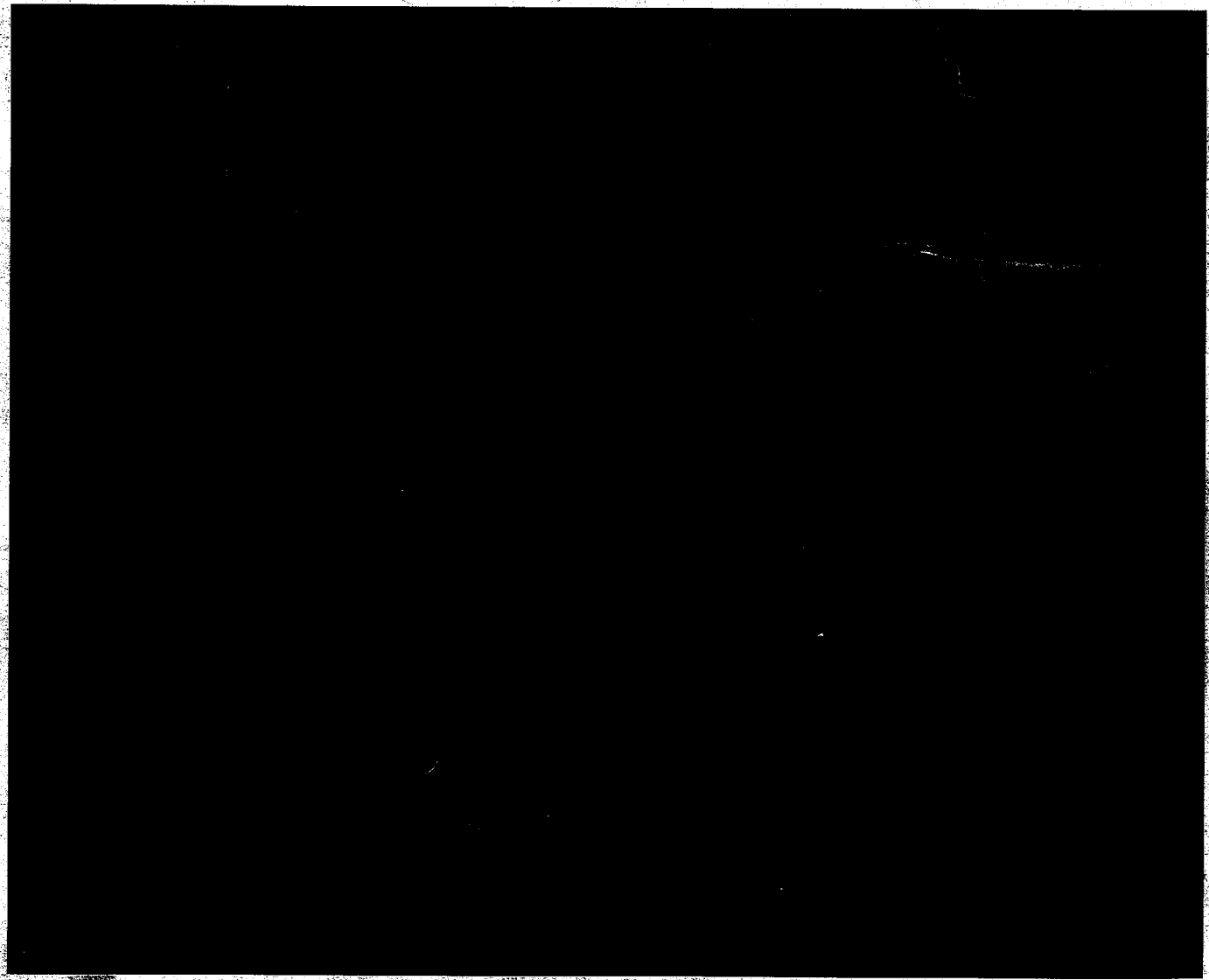


Weld Shop



Parts Catalog

1984 to 1985 • Gasoline
Golf Car/Utility Vehicle



GENERAL INFORMATION

This Parts Catalog has been prepared for your convenience when ordering parts for GASOLINE CAR Models G3, G4, and U4. Index numbers shown in the illustrations correspond to index numbers in the parts list. Consult the illustrations when ordering parts so you are sure to get just what you want. In most cases only the latest parts are shown in the illustrations.

Number in parenthesis following description of part is the quantity needed for complete assembly shown in illustration. If there is no number in parenthesis, only one is used.

Prices of parts and accessories listed in this catalog are published separately in the latest PRICE LIST.

The following instructions should be followed carefully when ordering parts:

- Specify the correct part number for each item. Check the "Used On" column of the parts list which shows the model on which the part is used. Whenever in doubt about the model and year, refer to the Vehicle Identification Number on the frame.
- The Vehicle Identification Number (V.I.N.) is located on the frame. The V.I.N. (vehicle identification number) for the GASOLINE CAR models are as follows:

MODEL	FIRST TWO DIGITS (Model)	NEXT FIVE DIGITS (Sequential Number)	SECOND LAST DIGIT (Manufacturer)	LAST DIGIT (Model Season)
G3	3B	10000 and up	C-Columbia	4-1984
G4	5K			5-1985
U4	7K			

Example: 1985 G3 (3B 12150 C5)
1985 G4 (5K 12151 C5)
1985 U4 (7K 20880 C5)

- Part numbers are to be used when ordering by TELEGRAM or CABLE.
- When ordering parts use our Service Parts order form for all parts. The use of these forms will enable us to fill and ship your order more promptly. These forms are furnished upon request.
- Do not order golf cars or advertising matter on Parts Order Forms. Write nothing on the order form except the order itself.
- Freight, UPS and Parcel Post orders should be on separate order forms.
- For your own records, number and date all orders; keep a carbon for future reference.

ALPHABETICAL INDEX

Accelerator Pedal-G3	27	Housing, Front-G4, U4	51
Accelerator Pedal-G4, U4	29	Hub Caps-G3	35
Air Cleaner	24	Hub Caps-G4, U4	37
Axle, Rear-G3, G4	93	Ignition Coil	17,85
Axle, Rear-U4	95	Index, Numerical	102
Axle, Front-G3	35	Intake Manifold	21
Bag Holders	65	Mats, Bag Well-G3, G4	71
Battery	83	Mats, Floor-G4, U4	51,57
Belt	9,11,15	Mats, Floor-G3	53
Beverage Holder-G3, G4	67	Muffler	82
Body-G3, G4	71	Numerical Index	102
Body-U4	73	Oil Pump	23
Brake Pedal-G3	31	Oil Tank	23
Brake Pedal-G4, U4	33	Piston	3
Brake, Disc	41	Reed Valve	21
Bumper, Front-G3	59	Regulator, Voltage	85,91
Bumper, Front-G4, U4	61	Score Card Holder-G3	45
Bumper, Rear	63	Score Card Holder-G4	49
Buzzer, Reverse	85,91	Seats-G3, G4	67
Carburetor	19	Seats-U4	69
Cargo Box, Metal-U4	75	Shock Absorber-G3	55
Cargo Box, Wood-U4	77	Shock Absorber-G4, U4	57
Choke	25	Spark Coil and Cable	17
Circuit Breaker	13,85	Spark Plug	17
Condenser	13	Stabilizer	99
Connecting Rod	5	Starter-Generator	15,85
Control Panel-G3	53	Steering Gear-G3	47
Cover, Canvas-G3, G4	71	Steering Gear-G4, U4	49
Crankcase	7	Steering Tiller-G3	45
Crankshaft	5	Steering Wheel-G3	45
Cylinder	3	Steering Wheel-G4, U4	49
Differential-G3, G4	93	Sun Top-G4	97
Differential-U4	95	Suspension, Front-G4, U4	39
Electrical	89	Suspension, Rear-G3	55
Exhaust System	82	Suspension, Rear-G4, U4	57
Fan	5,13	Switches	91
Fork, Front-G3	43	Tank	81
Fork, Rear-G3	55	Terminals	87,89
Fork, Rear-G4, U4	57	Tiller, Steering-G3	45
Frame-G3	55	Tires-G3	35
Frame-G4, U4	57	Tires-G4, U4	37
Fuel Pump	21	Top, Sun-G4	97
Fuel Tank	81	Tow Bar-G3	99
Gears, Differential-G3, G4	93	Transmission-Primary	9
Gears, Differential-U4	95	Transmission-Secondary	11
Generator	15	Wheels-G3	35
Governor	25	Wheels-G4, U4	37
Handrail-G3, G4	67	Windshield-G4	79
Handrail-U4	69	Wiring	85
Housing, Front-G3	53	Wiring Harness	85,87

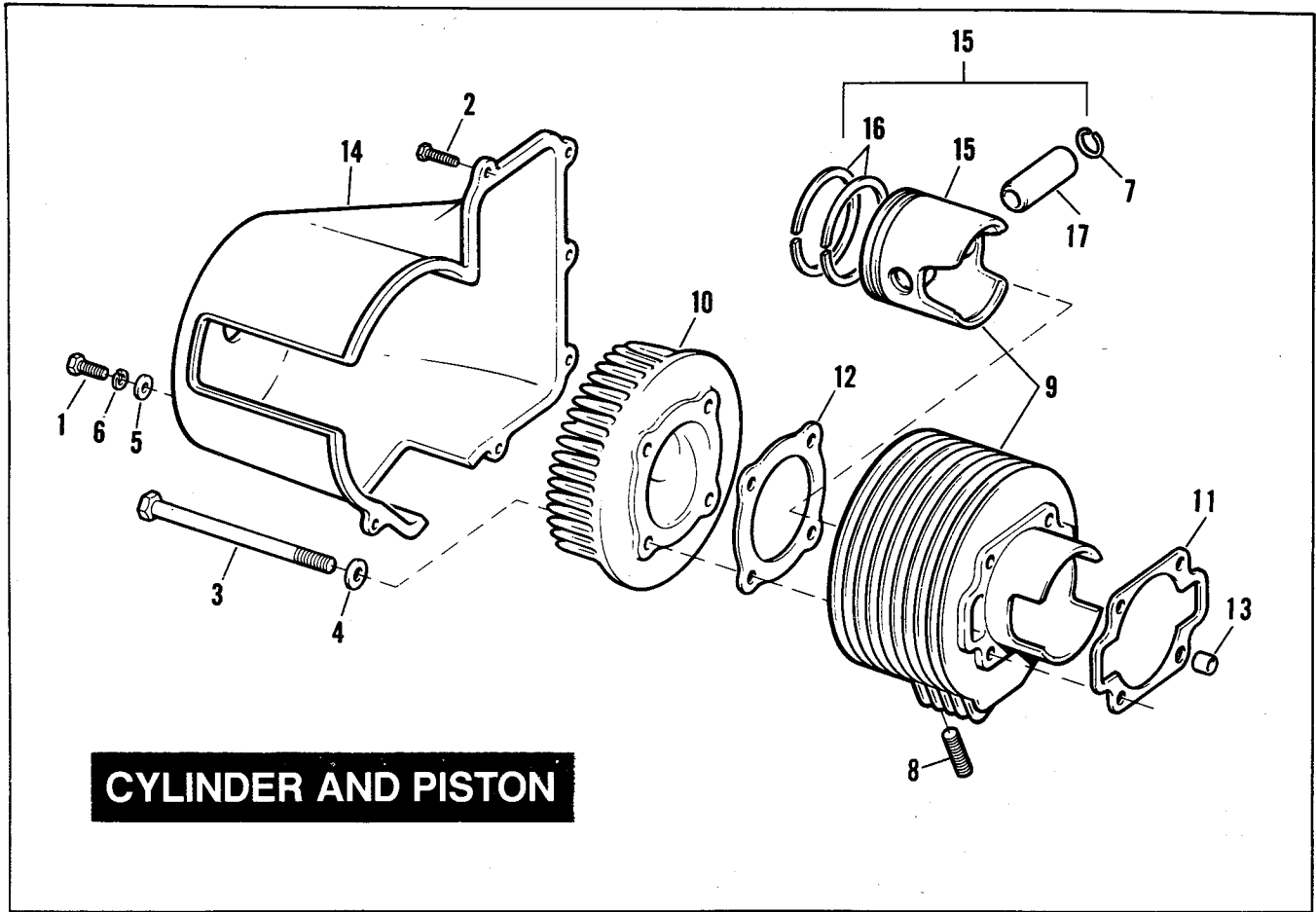
PATENT NOTICE

Columbia products are manufactured under one or more of the following patents: U.S. Patents — 2986162, 2987934, 2998809, 3116089, 3144631, 3144860, 3226994, 3229792, 3434887, 3559773, 3673359, 3680403, 3683716, 3709317, Des. 225,626.

To the best knowledge of Columbia Par Car Corp., the material contained herein is accurate as of the date of this publication was approved for printing. Columbia reserves the right to change specifications, equipment, or designs at any time without notice and without incurring obligation.

Columbia Par Car Corp.
Deerfield, Wisconsin 53531

COLUMBIA PAR CAR CORP.

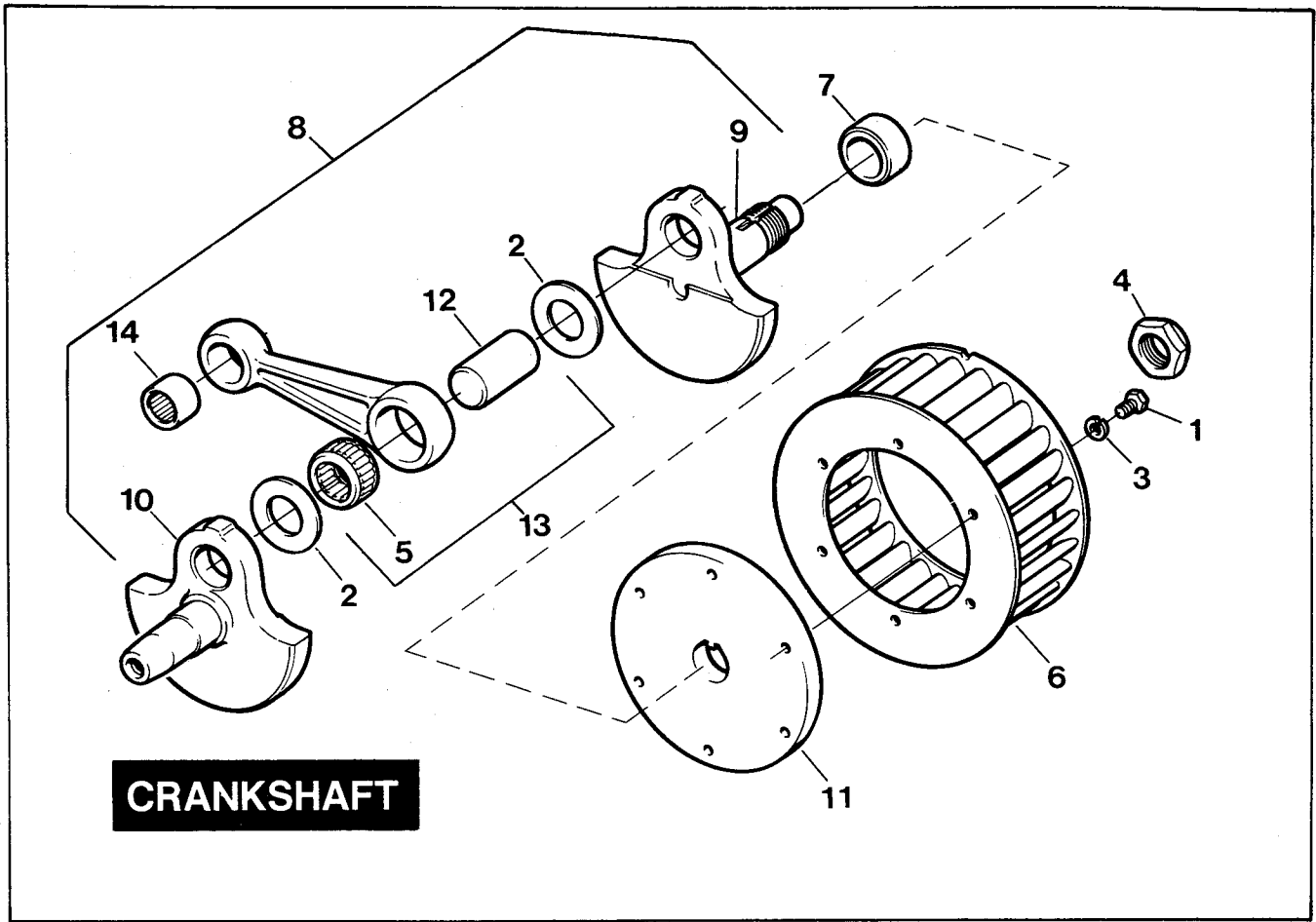


CYLINDER AND PISTON

CYLINDER AND PISTON

INDEX NO.	PART NO.	NAME	USED ON
1	3787	BOLT (2)	84 to * G3, G4, U4
2	4008	SCREW (5)	84 to * G3, G4, U4
3	4451W	BOLT (4)	84 to * G3, G4, U4
4	6388HB	WASHER (4)	84 to * G3, G4, U4
5	6703	WASHER (2)	84 to * G3, G4, U4
6	7036	LOCKWASHER (2)	84 to * G3, G4, U4
7	11144	LOCK RING, PISTON PIN (2)	84 to * G3, G4, U4
8	11720	STUD, CYLINDER EXHAUST PORT (2)	84 to * G3, G4, U4
9	16524-82	MATCHED CYLINDER AND PISTON, WITH RINGS AND PIN	84 to * G3, G4, U4
10	16649-82	CYLINDER HEAD	84 to * G3, G4, U4
11	16780-63A	GASKET, CYLINDER BASE	84 to * G3, G4, U4
12	16784-82	GASKET, CYLINDER HEAD	84 to * G3, G4, U4
13	16785-82	SPACER, CYLINDER TO CRANKCASE	84 to * G3, G4, U4
14	20017-82	AIR SHROUD	84 to * G3, G4, U4
15	22001-82	PISTON AND RING ASSEMBLY, STANDARD	84 to * G3, G4, U4
	22003-82	PISTON AND RING ASSEMBLY, .010 O.S.	84 to * G3, G4, U4
	22004-82	PISTON AND RING ASSEMBLY, .020 O.S.	84 to * G3, G4, U4
	22005-82	PISTON AND RING ASSEMBLY, .030 O.S.	84 to * G3, G4, U4
	22006-82	PISTON AND RING ASSEMBLY, .040 O.S.	84 to * G3, G4, U4
16	22445-63	PISTON RING, STANDARD (2)	84 to * G3, G4, U4
	22447-63	PISTON RING, .010 O.S. (2)	84 to * G3, G4, U4
	22448-63	PISTON RING, .020 O.S. (2)	84 to * G3, G4, U4
	22449-63	PISTON RING, .030 O.S. (2)	84 to * G3, G4, U4
	22450-63	PISTON RING, .040 O.S. (2)	84 to * G3, G4, U4
17	22587-63A	PISTON PIN	84 to * G3, G4, U4

NOTE: "E" indicates Early Models, "L" indicates Late Models,
 "*" indicates latest model year shown on manual cover.



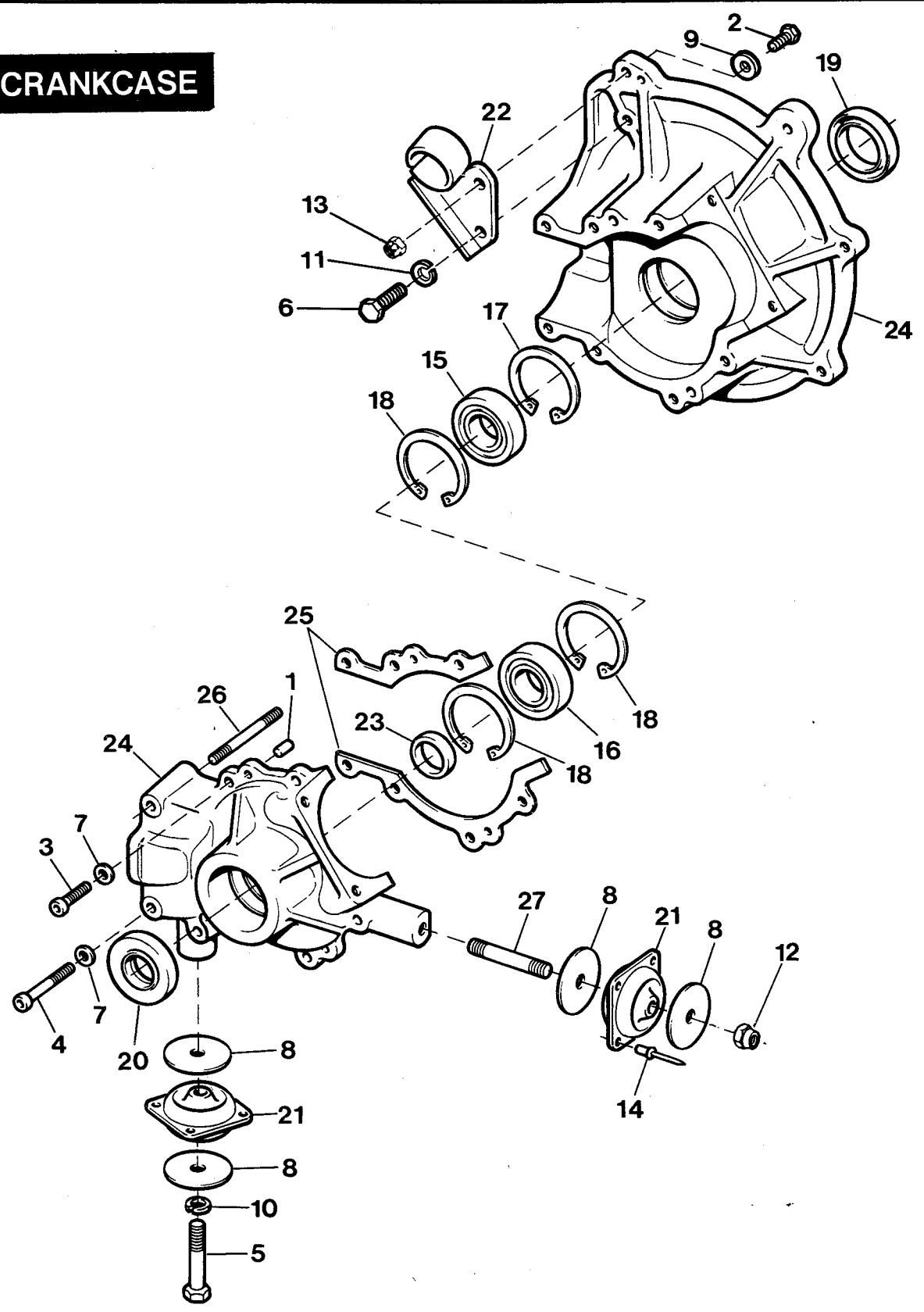
CRANKSHAFT

CRANKSHAFT

INDEX NO.	PART NO.	NAME	USED ON
1	2685W	BOLT (6)	84 to * G3, G4, U4
2	6642	THRUST WASHER (2)	84 to * G3, G4, U4
3	7118	LOCKWASHER (6)	84 to * G3, G4, U4
4	7960	NUT	84 to * G3, G4, U4
5	9070	NEEDLE BEARING, CRANKPIN	84 to * G3, G4, U4
6	20002-84	BLOWER FAN	84 to * G3, G4, U4
7	23698-82	SPACER, CRANKSHAFT-FAN SIDE	84 to * G3, G4, U4
8	23703-82A	CRANKSHAFT ASSEMBLY, WITH PIN, ROD, AND BEARINGS	84 to * G3, G4, U4
9	23707-82A	CRANKSHAFT, FAN SIDE	84 to * G3, G4, U4
10	23708-82	CRANKSHAFT, TRANSMISSION SIDE	84 to * G3, G4, U4
11	23764-82	FAN HUB KIT	84 to * G3, G4, U4
12	23962-63C	CRANKPIN	84 to * G3, G4, U4
13	24200-63A	CONNECTING ROD ASSEMBLY	84 to * G3, G4, U4
14	35961-52	NEEDLE BEARING, PISTON PIN	84 to * G3, G4, U4

NOTE: "E" indicates Early Models, "L" indicates Late Models,
 "*" indicates latest model year shown on manual cover.

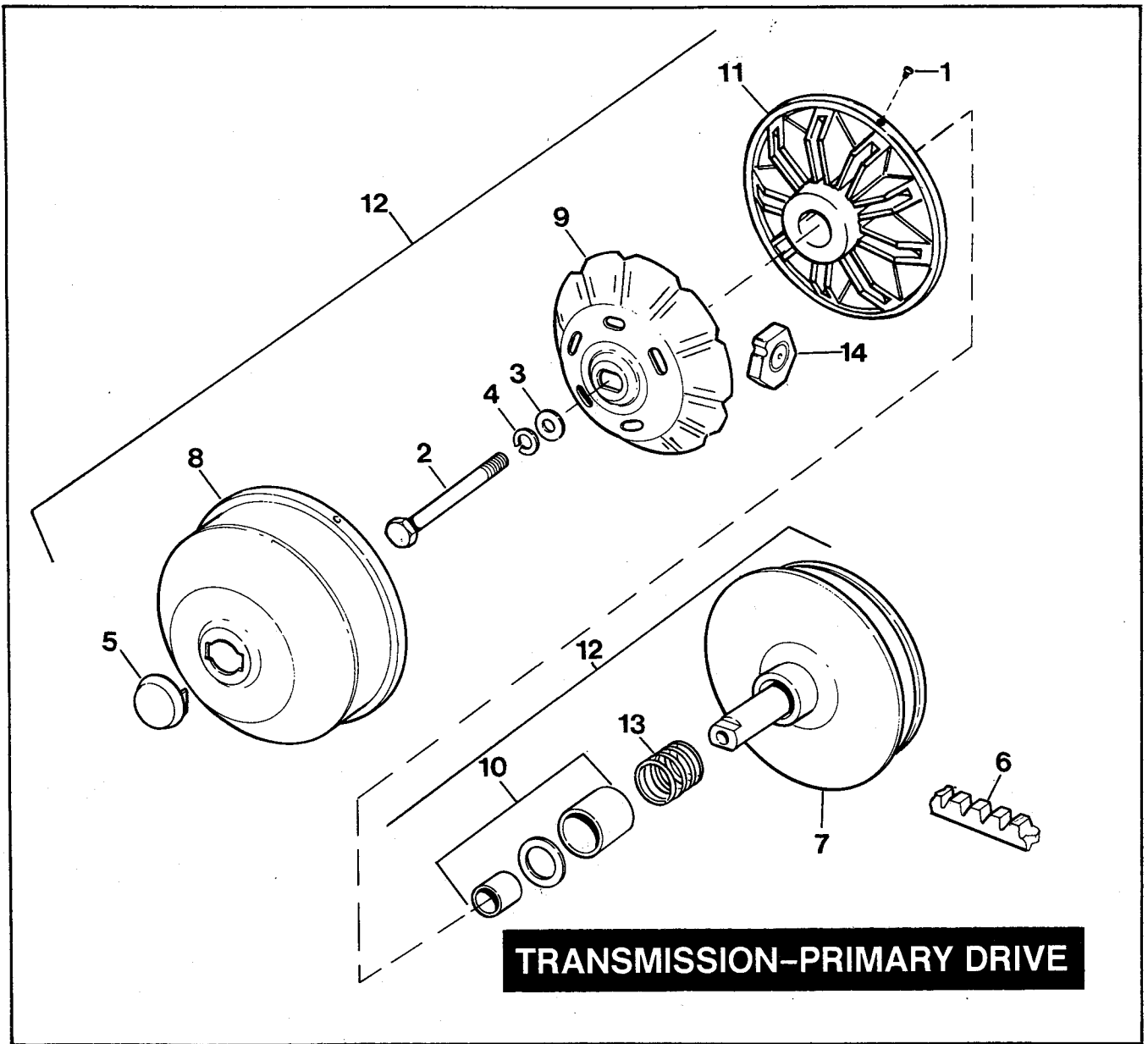
CRANKCASE



CRANKCASE

INDEX NO.	PART NO.	NAME	USED ON
1	358	DOWEL PIN (4)	84 to * G3, G4, U4
2	2818	BOLT 5/16-18x1-1/2	84 to * G3, G4, U4
3	3479	SCREW (2)	84 to * G3, G4, U4
4	3482	SCREW (4)	84 to * G3, G4, U4
5	3775	BOLT	84 to * G3, G4, U4
6	3991	BOLT	84 to * G3, G4, U4
7	6099	WASHER (2)	84 to * G3, G4, U4
8	6173B	WASHER (4)	84 to * G3, G4, U4
9	6702	WASHER 5/16	84 to * G3, G4, U4
10	7038	LOCKWASHER	84 to * G3, G4, U4
11	7041	LOCKWASHER 5/16	84 to * G3, G4, U4
12	7778	LOCKNUT	84 to * G3, G4, U4
13	8161	LOCKNUT	84 to * G3, G4, U4
14	8689	POP RIVET	84 to * G3, G4, U4
15	9032	BEARING, CRANKCASE-FAN SIDE	84 to * G3, G4, U4
16	9117	ROLLER BEARING, CRANKCASE-TRANSMISSION SIDE	84 to * G3, G4, U4
17	11141	RETAINING RING, CRANKCASE-FAN SIDE TAPERED	84 to * G3, G4, U4
18	11142	RETAINING RING, CRANKCASE-TRANSMISSION SIDE (2), -FAN SIDE (1)	84 to * G3, G4, U4
19	12046	OIL SEAL, CRANKCASE-FAN SIDE	84 to * G3, G4, U4
20	12098	OIL SEAL, CRANKCASE-TRANSMISSION SIDE	84 to * G3, G4, U4
21	16228-67	ENGINE MOUNT (4)	84 to * G3, G4, U4
22	16231-80	BRACKET, SNUBBER BAR	84 to * G3, G4, U4
23	23759-82	PRESS RING, CRANKCASE-TRANSMISSION SIDE	84 to * G3, G4, U4
24	24493-82	SET OF CRANKCASES	84 to * G3, G4, U4
25	24495-82	GASKET, CRANKCASE	84 to * G3, G4, U4
26	24803-67	STUD, 1/4-28x3-1/4LG.	84 to * G3, G4, U4
27	24804-67	STUD, 3/8-16x2-7/16LG.	84 to * G3, G4, U4

NOTE: "E" indicates Early Models, "L" indicates Late Models,
 "*" indicates latest model year shown on manual cover.

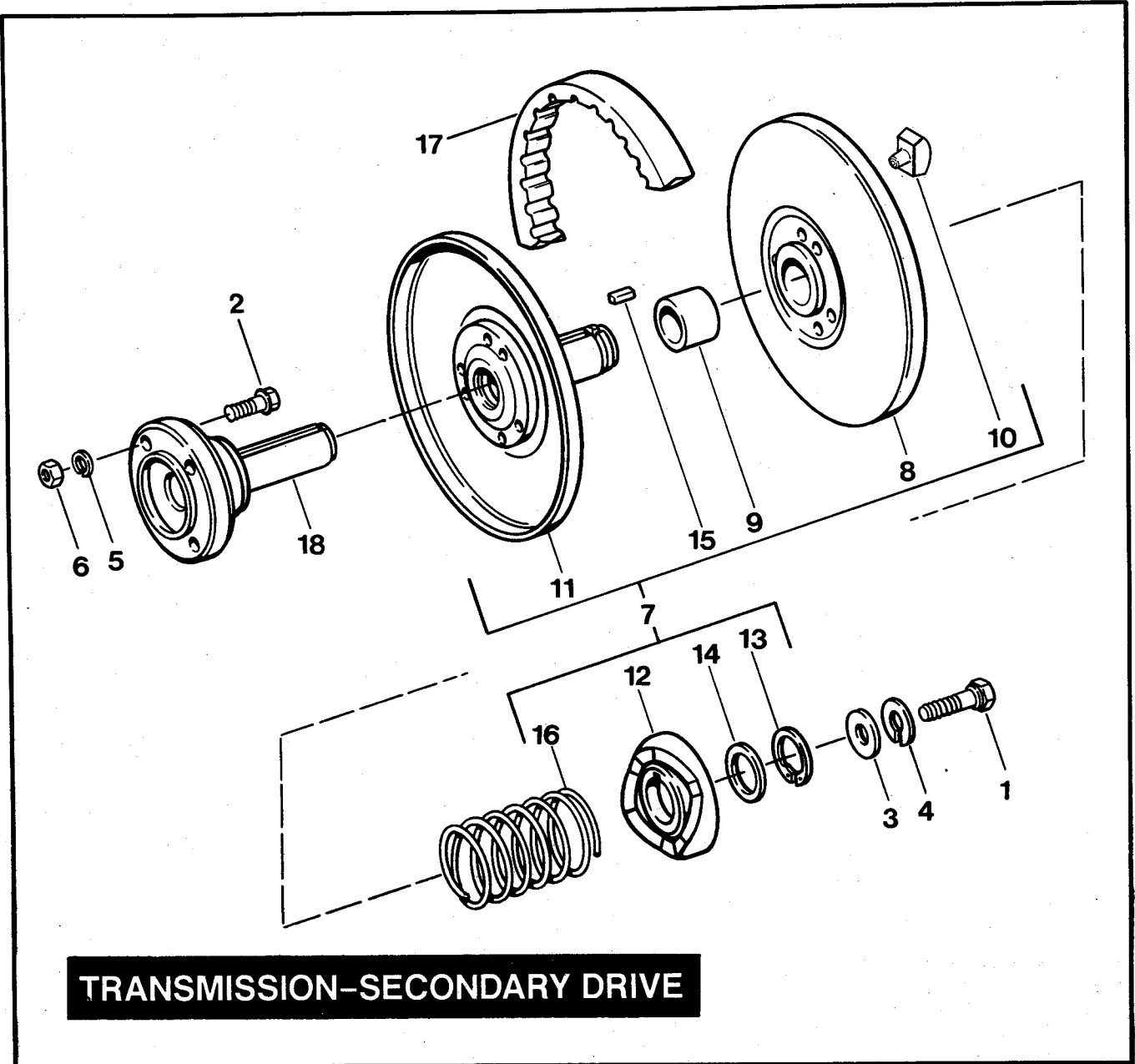


TRANSMISSION-PRIMARY DRIVE

TRANSMISSION-PRIMARY DRIVE

INDEX NO.	PART NO.	NAME	USED ON
1	3491	SCREW (3)	84 to * G3, G4, U4
2	4009	BOLT	84 to * G3, G4, U4
3	6718	WASHER	84 to * G3, G4, U4
4	7068	LOCKWASHER	84 to * G3, G4, U4
5	34865-82C	PLUG, OUTER COVER	84 to * G3, G4, U4
6	36398-82A	BELT, PRIMARY DRIVE	84 to * G3, G4, U4
7	36570-82	FLANGE, FIXED FACE WITH STEM	84 to * G3, G4, U4
8	36571-82	COVER, LOCATING GOVERNOR	84 to * G3, G4, U4
9	36572-84	DRIVE COVER, FLUTED	84 to * G3, G4, U4
10	36573-82	KIT, BEARINGS AND WASHER	84 to * G3, G4, U4
11	36574-82	FLOATING FLANGE, COMPLETE WITH BEARINGS ..	84 to * G3, G4, U4
12	36578-82B	PRIMARY DRIVE ASSEMBLY	84 to * G3, G4, U4
13	36579-84	SPRING, PURPLE	84 to * G3, G4, U4
14	36598-84	WEIGHT, BLUE WITH 7/8" INSERT (6)	84 to * G3, G4, U4

NOTE: "E" indicates Early Models, "L" indicates Late Models,
 "*" indicates latest model year shown on manual cover.

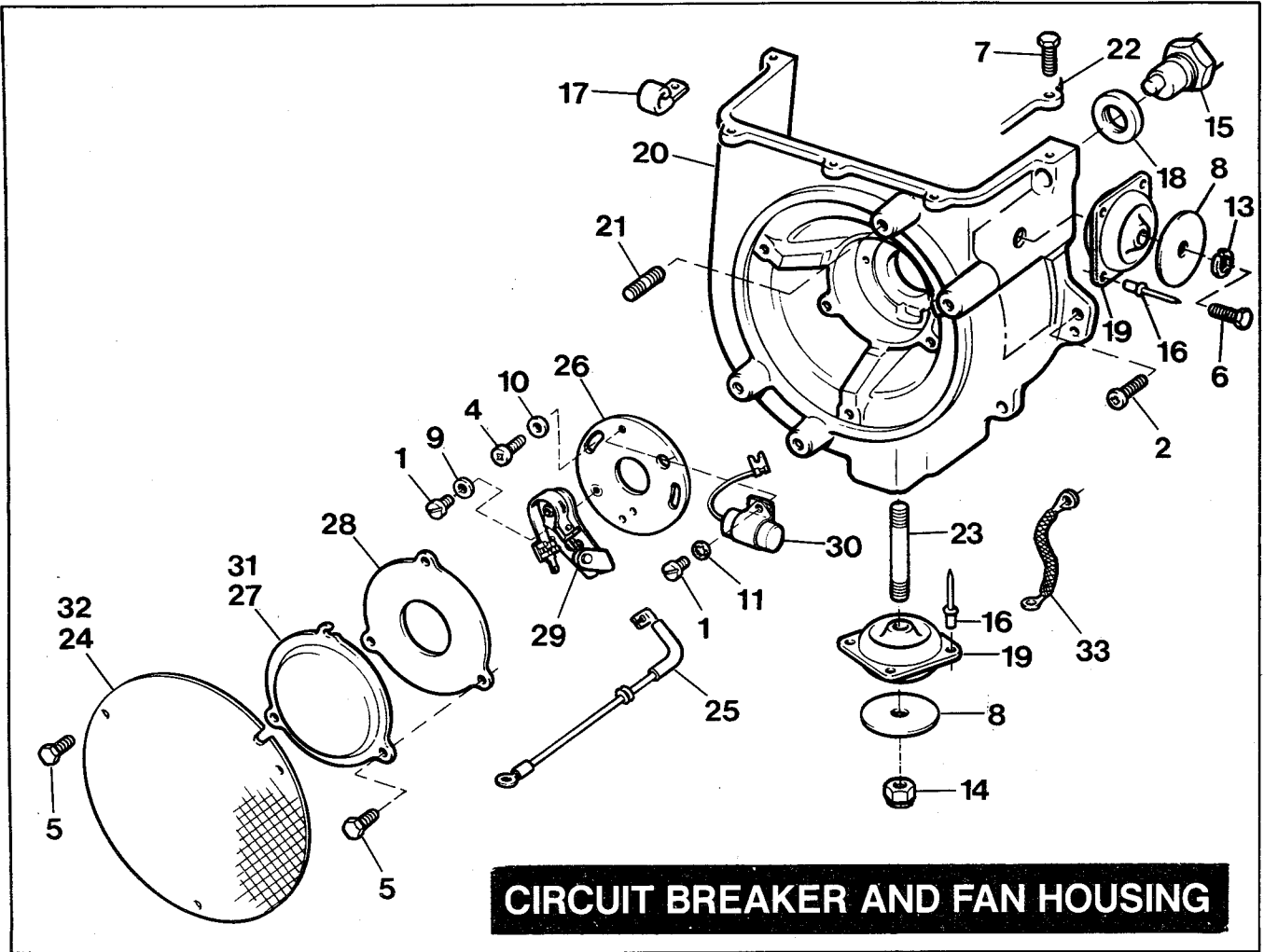


TRANSMISSION-SECONDARY DRIVE

TRANSMISSION-SECONDARY DRIVE

INDEX NO.	PART NO.	NAME	USED ON
1	3782	BOLT	84 to * G3, G4, U4
2	4014W	BOLT (4)	84 to * G3, G4, U4
3	6522HB	WASHER	84 to * G3, G4, U4
4	7039	LOCKWASHER	84 to * G3, G4, U4
5	7041	LOCKWASHER (4)	84 to * G3, G4, U4
6	7753	NUT (4)	84 to * G3, G4, U4
7	33245-82A	TRANSMISSION SECONDARY DRIVE, COMPLETE ...	84 to * G3, G4, U4
8	33246-82	FLOATING FLANGE ASSEMBLY	84 to * G3, G4, U4
9	33247-82	BEARING, FLOATING FLANGE	84 to * G3, G4, U4
10	33248-82	BUTTON AND ROLL PIN ASSEMBLY (3)	84 to * G3, G4, U4
11	33249-82	SECONDARY FLANGE AND POST	84 to * G3, G4, U4
12	33250-82	CAM	84 to * G3, G4, U4
13	33251-82	RETAINING RING	84 to * G3, G4, U4
14	33252-82	WASHER	84 to * G3, G4, U4
15	33254-82	KEY	84 to * G3, G4, U4
16	33260-82	SPRING, YELLOW	84 to * G3, G4, U4
17	36398-82A	BELT, TRANSMISSION	84 to * G3, G4, U4
18	36410-82	HUB, REAR FLANGE	84 to * G3, G4, U4

NOTE: "E" indicates Early Models, "L" indicates Late Models,
 "*" indicates latest model year shown on manual cover.

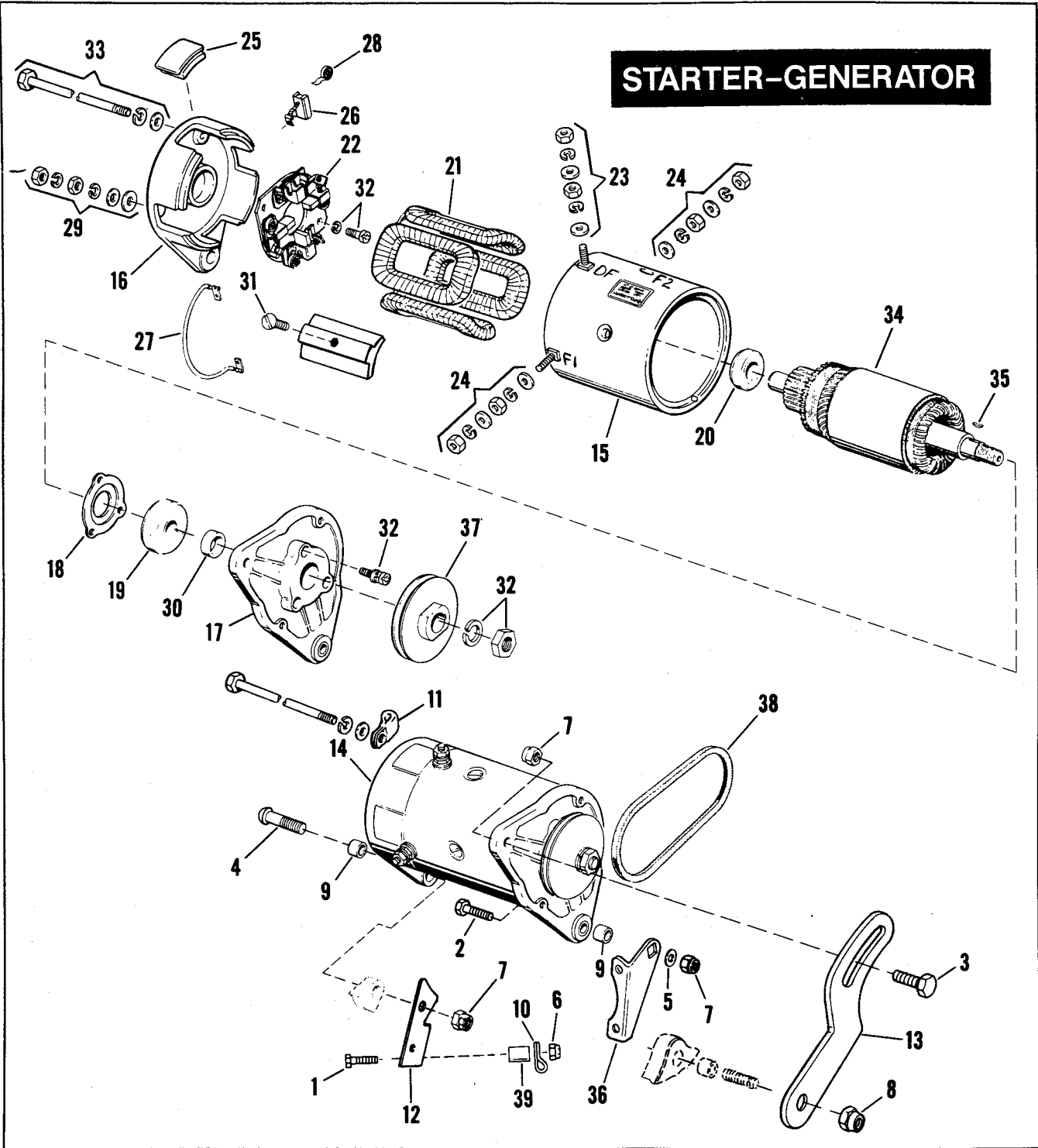


CIRCUIT BREAKER AND FAN HOUSING

INDEX NO.	PART NO.	NAME	USED ON
1	1047	SCREW (2)	84 to * G3, G4, U4
2	1368W	SCREW (4)	84 to * G3, G4, U4
3	2633	SCREW	84 to * G3, G4, U4
4	2664	SCREW (2)	84 to * G3, G4, U4
5	3000	SCREW (6)	84 to * G3, G4, U4
6	3775	BOLT	84 to * G3, G4, U4
7	4008	SCREW (5)	84 to * G3, G4, U4
8	6173B	WASHER (2)	84 to * G3, G4, U4
9	6192	WASHER	84 to * G3, G4, U4
10	6716	WASHER (2)	84 to * G3, G4, U4
11	7015	LOCKWASHER	84 to * G3, G4, U4
12	7115	LOCKWASHER	84 to * G3, G4, U4
13	7130W	LOCKWASHER	84 to * G3, G4, U4
14	7778	LOCKNUT	84 to * G3, G4, U4
15	7960	NUT	84 to * G3, G4, U4
16	8689	POP RIVET	84 to * G3, G4, U4
17	9927	CABLE CLIP	84 to * G3, G4, U4
18	12011	OIL SEAL	84 to * G3, G4, U4
19	16228-67	ENGINE MOUNT	84 to * G3, G4, U4
20	20004-82A	FAN HOUSING ASSEMBLY	84 to * G3, G4, U4
21	20014-67	STUD, 5/16-18x1-3/16 (4)	84 to * G3, G4, U4
22	20017-82	AIR SHROUD	84 to * G3, G4, U4
23	24804-67	STUD, 3/8-16x2-7/16-MOUNTING	84 to * G3, G4, U4
24	29072-80	SCREEN, FAN (W/O OIL INJECTION)	84 to * G3, G4, U4
25	30491-80	CABLE ASSEMBLY, CIRCUIT BREAKER	84 to * G3, G4, U4
26	30508-71	BREAKER PLATE, ONLY	84 to * G3, G4, U4
27	32585-67	INSPECTION COVER (W/O OIL INJECTION)	84 to * G3, G4, U4
28	32591-67C	GASKET, INSPECTION COVER (W/O OIL INJECTION)	84 to * G3, G4, U4
29	32661-70	BREAKER POINT SET	84 to * G3, G4, U4
30	32726-30A	CONDENSER WITH BRACKET	84 to * G3, G4, U4
31	62508-84	INSPECTION COVER (OIL INJECTION)	84 to * G3, G4, U4
32	62517-84	SCREEN, FAN (OIL INJECTION)	84 to * G3, G4, U4
33	70164-69A	GROUND STRAP, ENGINE MOUNT	84 to * G3, G4, U4

NOTE: "E" indicates Early Models, "L" indicates Late Models,
 "*" indicates latest model year shown on manual cover.

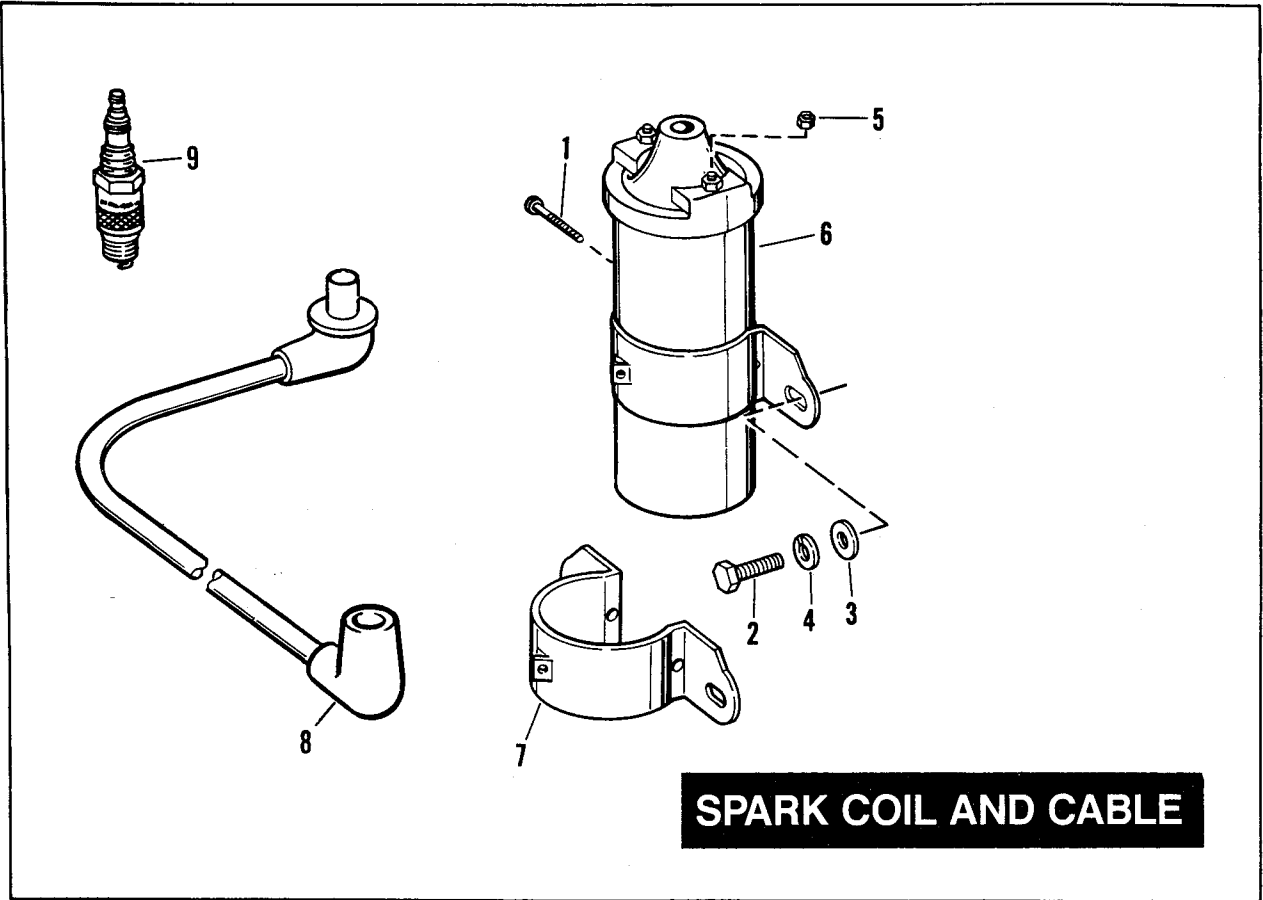
STARTER-GENERATOR



STARTER-GENERATOR

INDEX NO.	PART NO.	NAME	USED ON
1	2551W	BOLT	84 to * G3, G4, U4
2	3427	BOLT	84 to * G3, G4, U4
3	4734	BOLT	84 to * G3, G4, U4
4	5445W	CARRIAGE BOLT	84 to * G3, G4, U4
5	6333	WASHER	84 to * G3, G4, U4
6	7742	LOCKNUT	84 to * G3, G4, U4
7	8161	LOCKNUT (3)	84 to * G3, G4, U4
8	8162	LOCKNUT	84 to * G3, G4, U4
9	8997	BUSHING (2)	84 to * G3, G4, U4
10	9958	CABLE CLAMP (1)	84 to * G3, G4, U4
11	10047	CLIP	84 to * G3, G4, U4
12	29156-82	BRACKET, CABLES	84 to * G3, G4, U4
13	29941-81	STRAP, STARTER-GENERATOR	84 to * G3, G4, U4
14	30083-69C	STARTER-GENERATOR	84 to * G3, G4, U4
15	30098-77	FRAME WITH FIELD COILS	84 to * G3, G4, U4
16	30110-77	COVER, COMMUTATOR END (INCLUDES A1 & A2 TERMINAL KITS	84 to * G3, G4, U4
17	30111-77	COVER, DRIVE END	84 to * G3, G4, U4
18	30152-77	PLATE, DRIVE END BEARING	84 to * G3, G4, U4
19	30153-77	BALL BEARING, DRIVE END	84 to * G3, G4, U4
20	30154-77	BALL BEARING, COMMUTATOR END	84 to * G3, G4, U4
21	30210-77	FIELD COIL ASSEMBLY, WITH TERMINAL BOLTS .	84 to * G3, G4, U4
22	30351-77	BRUSH HOLDER, WITH BRUSHES, SPRINGS AND WIRES	84 to * G3, G4, U4
23	30394-77	HARDWARE KIT DF TERMINAL	84 to * G3, G4, U4
24	30395-77	HARDWARE KIT, F1 & F2 TERMINALS	84 to * G3, G4, U4
25	30442-77	BRUSH INSPECTION COVER (4)	84 to * G3, G4, U4
26	30443-77	BRUSH (4)	84 to * G3, G4, U4
27	30444-77	WIRE, BRUSH CONNECTING (2)	84 to * G3, G4, U4
28	30445-77	BRUSH SPRING	84 to * G3, G4, U4
29	30446-77	HARDWARE KIT, A1 & A2 TERMINALS	84 to * G3, G4, U4
30	30447-77	SPACER, DRIVE END	84 to * G3, G4, U4
31	30448-77	SCREW, POLE SHOE (4)	84 to * G3, G4, U4
32	30449-77	HARDWARE KIT, INCLUDES HARDWARE FOR PULLEY, BRUSH HOLDER AND BEARING PLATE ...	84 to * G3, G4, U4
33	30461-77	THRU-BOLT, WITH WASHERS & LOCKWASHERS (2)	84 to * G3, G4, U4
34	30860-77	ARMATURE, WITH BEARINGS, SPACER AND BEARING PLATE	84 to * G3, G4, U4
35	30877-77	WOODRUFF KEY, PULLEY	84 to * G3, G4, U4
36	31476-79	BRACKET	84 to * G3, G4, U4
37	31551-72B	PULLEY, 2.62 DIA.	84 to * G3, G4, U4
38	35389-72	V-BELT	84 to * G3, G4, U4
39	49079-72	SPACER	84 to * G3, G4, U4

NOTE: "E" indicates Early Models, "L" indicates Late Models,
 "*" indicates latest model year shown on manual cover.

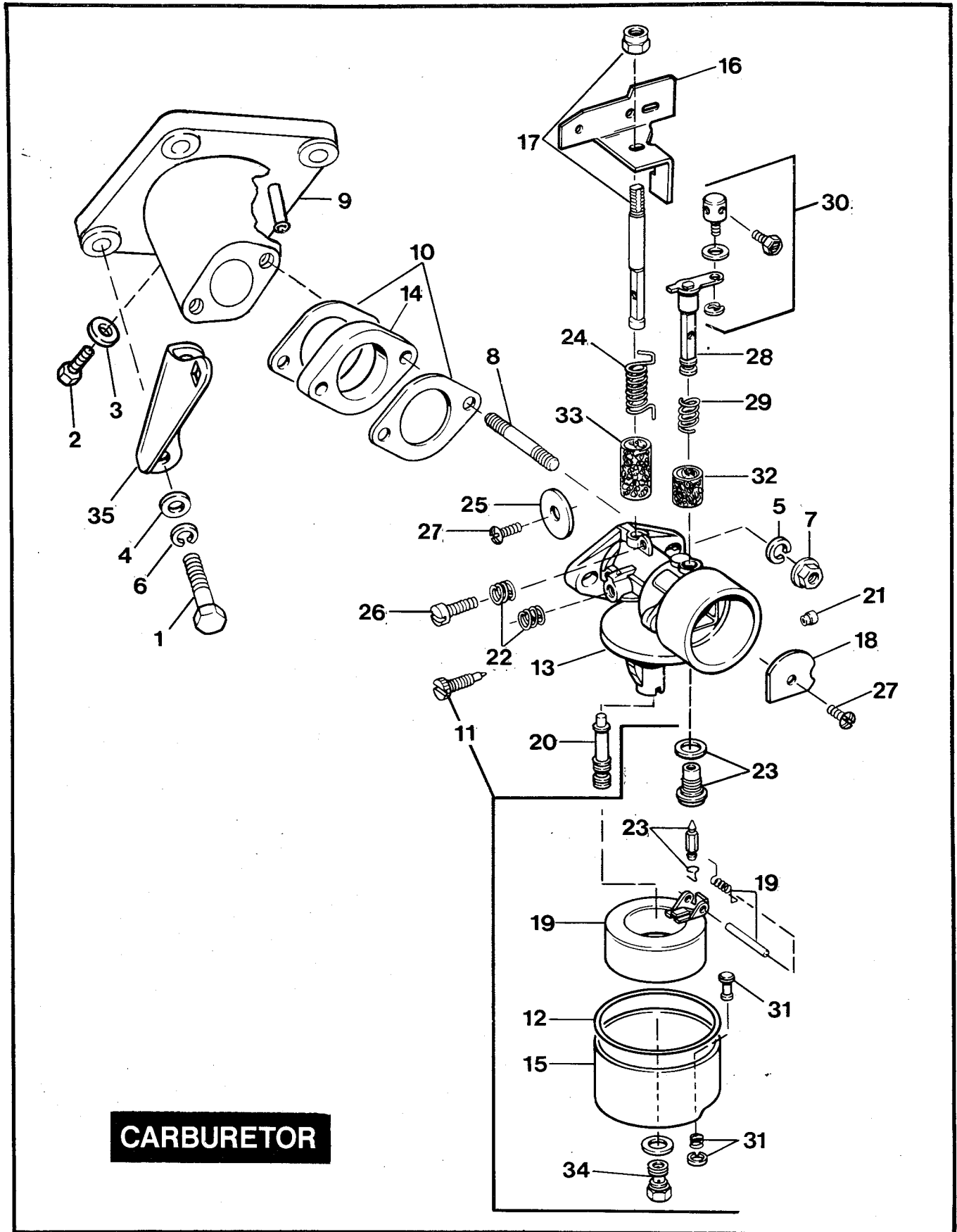


SPARK COIL AND CABLE

SPARK COIL AND CABLE

INDEX NO.	PART NO.	NAME	USED ON
1	1240W	SCREW	84 to * G3, G4, U4
2	4017	BOLT (2)	84 to * G3, G4, U4
3	6702	WASHER (2)	84 to * G3, G4, U4
4	7041	LOCKWASHER (2)	84 to * G3, G4, U4
5	7634	NUT (BRASS) (2)	84 to * G3, G4, U4
6	31601-63A	SPARK COIL	84 to * G3, G4, U4
7	31610-53	BRACKET, SPARK COIL	84 to * G3, G4, U4
8	31981-82	SPARK PLUG CABLE	84 to * G3, G4, U4
9	32301-78C	SPARK PLUG L92YC	84 to * G3, G4, U4

NOTE: "E" indicates Early Models, "L" indicates Late Models,
 "*" indicates latest model year shown on manual cover.

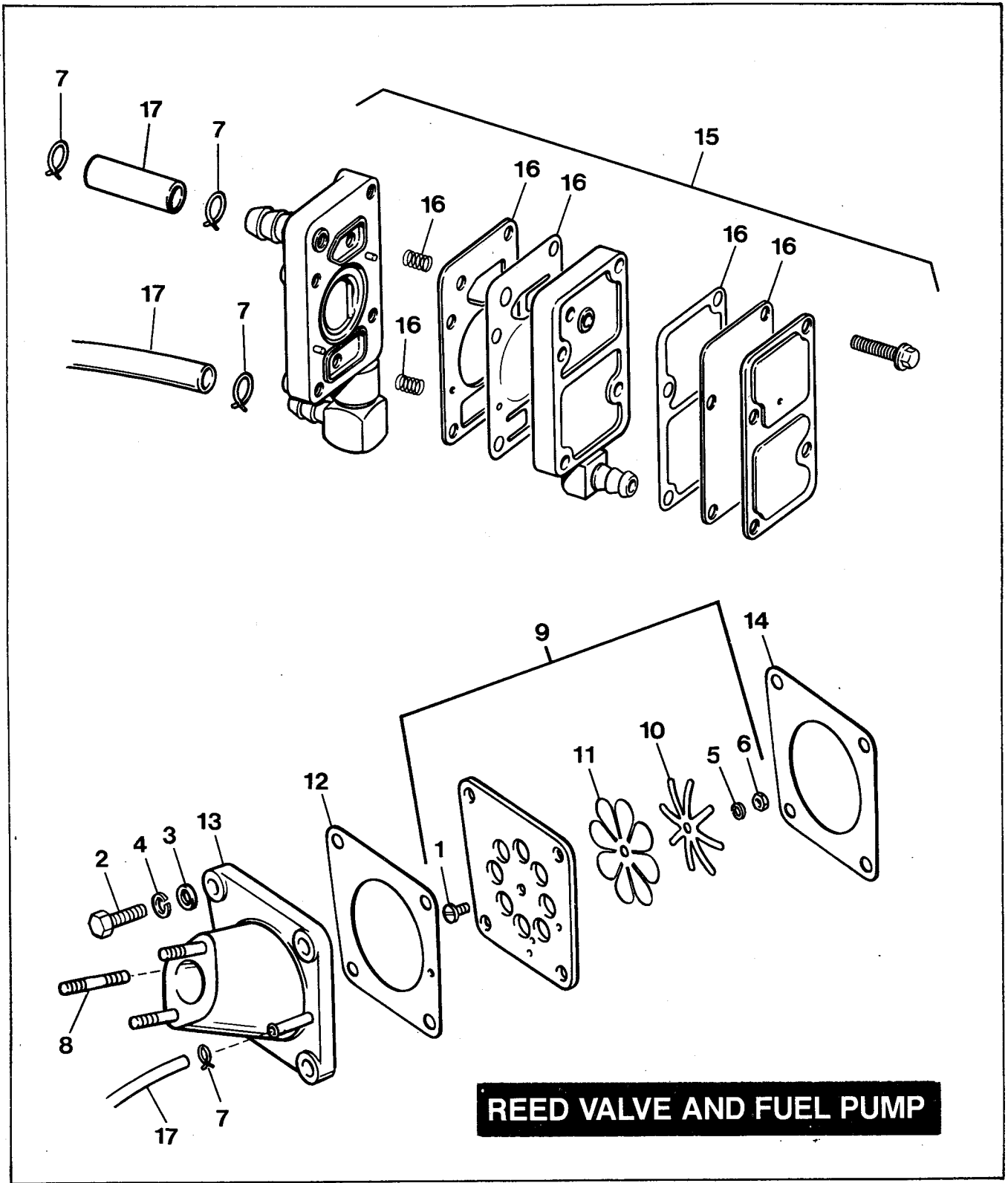


CARBURETOR

CARBURETOR

INDEX NO.	PART NO.	NAME	USED ON
1	2818	BOLT (4)	84 to * G3, G4, U4
2	3999	SCREW, MANIFOLD PLUG (W/O OIL INJECTION) .	84 to * G3, G4, U4
3	6228W	WASHER, MANIFOLD PLUG (W/O OIL INJECTION)	84 to * G3, G4, U4
4	6702	WASHER (4)	84 to * G3, G4, U4
5	7036	LOCKWASHER (2)	84 to * G3, G4, U4
6	7041	LOCKWASHER (2)	84 to * G3, G4, U4
7	7676	NUT (2)	84 to * G3, G4, U4
8	24811-63	STUD, CARBURETOR MOUNTING (2)	84 to * G3, G4, U4
9	27020-80A	INTAKE MANIFOLD	84 to * G3, G4, U4
10	27126-82	GASKET, CARBURETOR (2)	84 to * G3, G4, U4
11	27131-82A	REPAIR PARTS KIT, CARBURETOR	84 to * G3, G4, U4
12	27133-82	GASKET KIT	84 to * G3, G4, U4
13	27158-84A	CARBURETOR, COMPLETE	84 to * G3, G4, U4
14	27227-81	INSULATION BLOCK, CARBURETOR	84 to * G3, G4, U4
15	27273-82	FUEL BOWL ASSEMBLY	84 to * G3, G4, U4
16	27274-85	THROTTLE SHAFT LEVER (WITH & W/O OIL INJECTION)	84 to * G3, G4, U4
17	27275-82	THROTTLE SHAFT ASSEMBLY	84 to E85 G3, G4, U4
	27275-85	THROTTLE SHAFT ASSEMBLY	L85 to * G3, G4, U4
18	27674-82	CHOKE VALVE DISC	84 to * G3, G4, U4
19	27682-82	FLOAT ASSEMBLY	84 to * G3, G4, U4
20	27683-84	NOZZLE	84 to * G3, G4, U4
21	27684-82	PLUG KIT	84 to * G3, G4, U4
22	27691-82	SPRING, IDLE SPEED AND THROTTLE ADJUSTMENT (2)	84 to * G3, G4, U4
23	27693-82	FUEL VALVE SEAT KIT	84 to * G3, G4, U4
24	27705-82	SPRING, THROTTLE SHAFT RETURN	84 to * G3, G4, U4
25	27715-82	THROTTLE VALVE DISC	84 to * G3, G4, U4
26	27717-82	SCREW, THROTTLE ADJUSTMENT	84 to * G3, G4, U4
27	27720-82	SCREW, CHOKE AND THROTTLE DISCS (2)	84 to * G3, G4, U4
28	27730-82	CHOKE SHAFT LEVER	84 to * G3, G4, U4
29	27731-82	SPRING, CHOKE SHAFT RETURN	84 to * G3, G4, U4
30	27734-82	CHOKE SWIVEL KIT	84 to * G3, G4, U4
31	27735-82	DRAIN STEM ASSEMBLY	84 to * G3, G4, U4
32	27744-82	DUST SEAL, CHOKE SHAFT	84 to * G3, G4, U4
33	27745-82	DUST SEAL, THROTTLE SHAFT	84 to * G3, G4, U4
34	27752-83	MAIN FUEL JET (SIZE .038)	84 to * G3, G4, U4
	27753-82	MAIN FUEL JET-HIGH ALTITUDE (SIZE .035) ..	84 to * G3, G4, U4
35	31476-79	BRACKET, STARTER-GENERATOR MOUNTING	84 to * G3, G4, U4

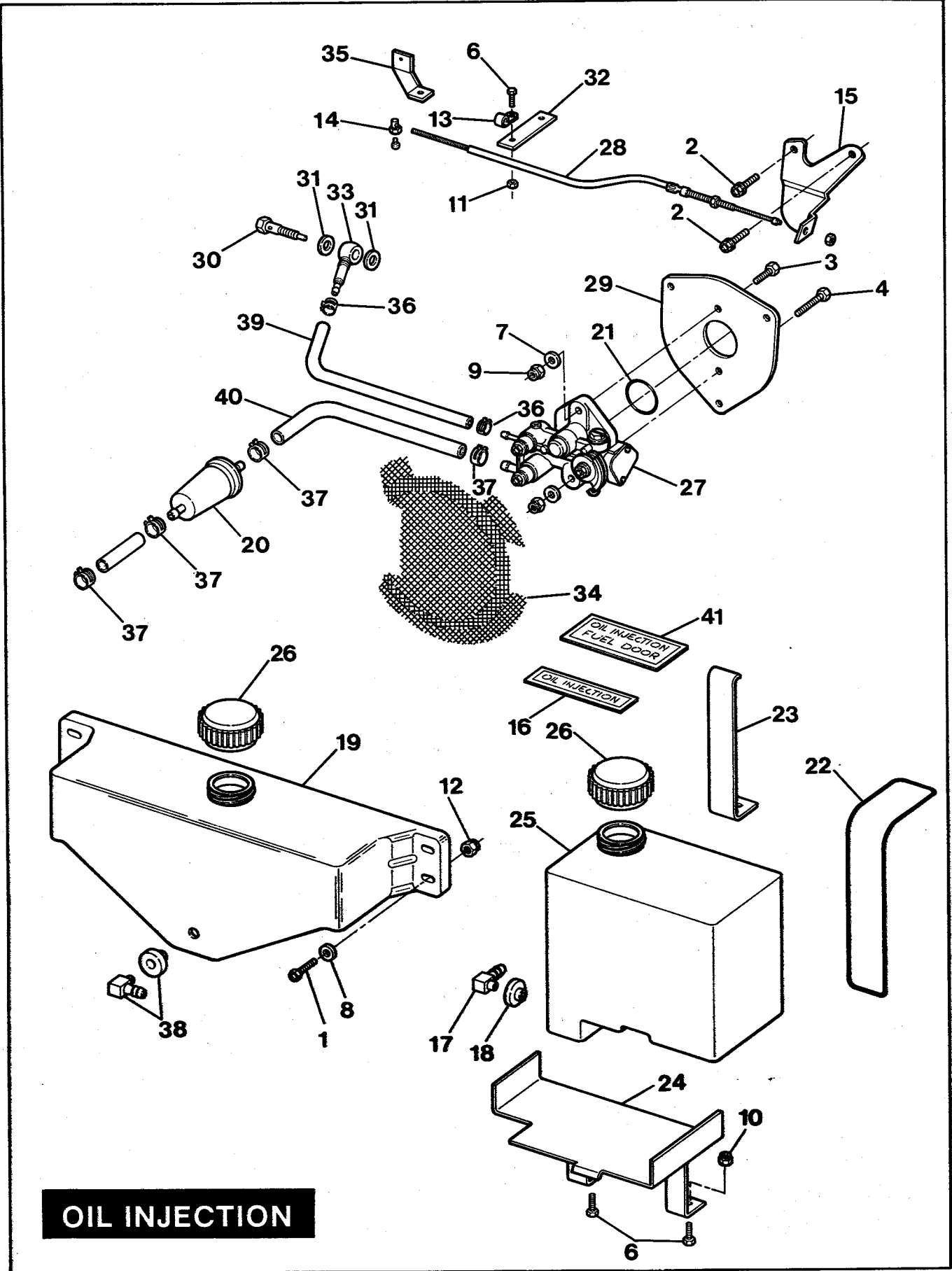
NOTE: "E" indicates Early Models, "L" indicates Late Models,
 "*" indicates latest model year shown on manual cover.



REED VALVE AND FUEL PUMP

INDEX NO.	PART NO.	NAME	USED ON
1	2673	SCREW	84 to * G3, G4, U4
2	2818	BOLT (4)	84 to * G3, G4, U4
3	6702	WASHER (4)	84 to * G3, G4, U4
4	7041	LOCKWASHER (4)	84 to * G3, G4, U4
5	7069	LOCKWASHER	84 to * G3, G4, U4
6	7634	NUT	84 to * G3, G4, U4
7	9993	CLAMP, HOSE (4)	84 to * G3, G4, U4
8	24811-63	STUD, 1/4-20 / 1/4-28x1-1/2 (2)	84 to * G3, G4, U4
9	26901-71B	REEDPLATE ASSEMBLY	84 to * G3, G4, U4
10	26905-59	REED STOP	84 to * G3, G4, U4
11	26906-59A	LEAF, REED VALVE (STAINLESS STEEL)	84 to * G3, G4, U4
12	26908-71B	GASKET, REEDPLATE	84 to * G3, G4, U4
13	27020-80A	INTAKE MANIFOLD	84 to * G3, G4, U4
14	27069-63B	GASKET, MANIFOLD	84 to * G3, G4, U4
15	27099-84	FUEL PUMP	84 to * G3, G4, U4
16	27110-81	REPAIR KIT, INCLUDES GASKETS, DIAPHRAMS, AND SPRING	84 to * G3, G4, U4
17	63501-68	HOSE, 1/4 I.D.x1/2 O.D. REINFORCED RUBBER, 25 FT LG. (BULK-CUT AS REQUIRED) .	84 to * G3, G4, U4

NOTE: "E" indicates Early Models, "L" indicates Late Models,
 "*" indicates latest model year shown on manual cover.



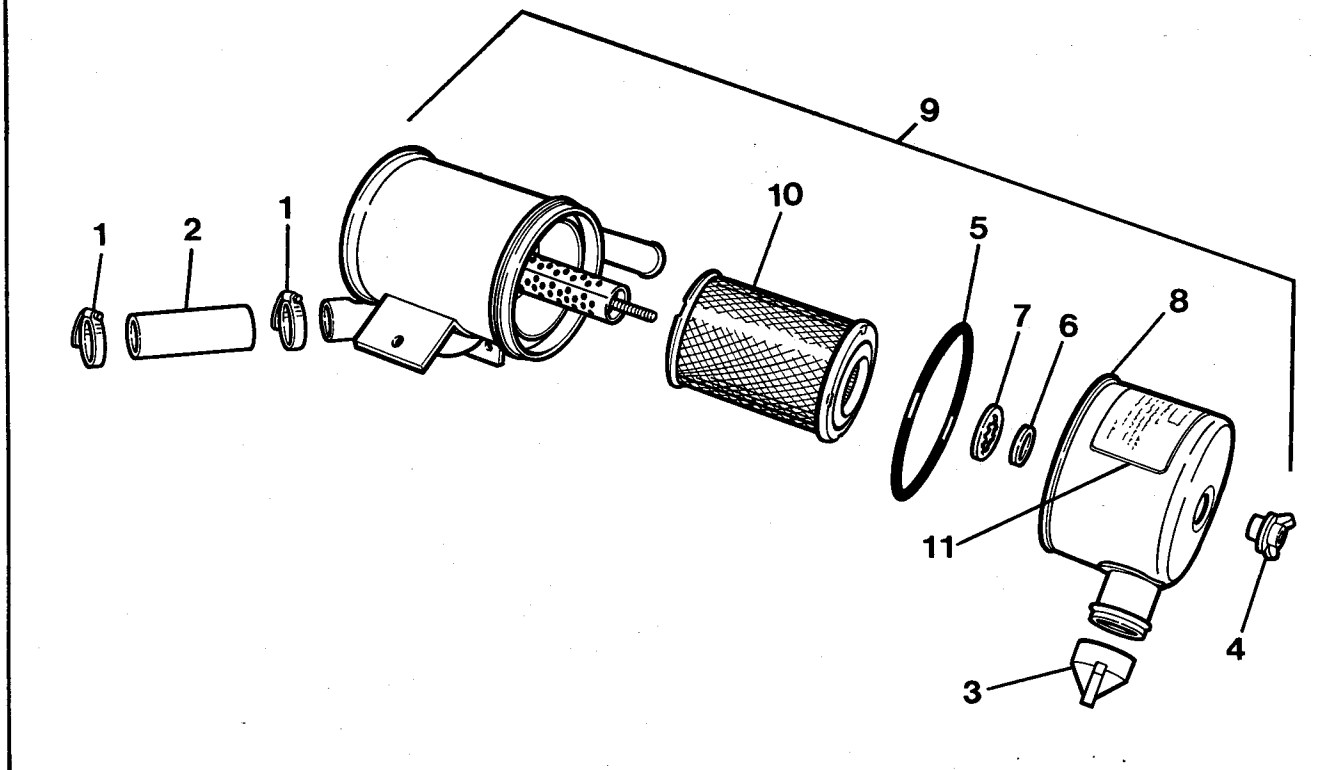
OIL INJECTION

OIL INJECTION

INDEX NO.	PART NO.	NAME	USED ON
1	2551W	SCREW, 1/4-20x1 (4)	L85 to * G3, G4, U4
2	3000	SCREW, 10-24x1/2 (2)	84 to * G3, G4, U4
3	3502	SCREW, 10-24x3/4	84 to * G3, G4, U4
4	3503	SCREW, 10-24x1-1/4	84 to * G3, G4, U4
5	3765	SCREW, 1/4-28x5/8 (2)	84 to E85 G3, G4, U4
6	3767B	SCREW, 1/4-20x5/8	84 to * G3, G4, U4
7	6192	WASHER, No. 8 (3)	84 to * G3, G4, U4
8	6332B	WASHER (4)	L85 to * G3, G4, U4
9	7624	LOCKNUT, 10-24 (2)	84 to * G3, G4, U4
10	7683	LOCKNUT, 1/4-28 (2)	84 to E85 G3, G4, U4
11	7686	LOCKNUT, 1/4-20	84 to * G3, G4, U4
12	7742	LOCKNUT, 1/4-20 (4)	L85 to * G3, G4, U4
13	9958	CLAMP	84 to E85 G3, G4, U4
14	26832-83	STOP, CABLE END	84 to * G3, G4, U4
15	29159-84	BRACKET, CABLE, FAN HOUSING	84 to * G3, G4, U4
16	53275-84	LABEL "OIL INJECTION"	84 to * G3, G4, U4
17	61095-84	ELBOW FITTING	84 to E85 G3, G4, U4
18	61249-75	RUBBER BUSHING, OIL TANK FITTING	84 to E85 G3, G4, U4
19	62480-85	OIL TANK WITH CAP (REAR MOUNT)	L85 to * G3, G4, U4
20	62489-85	FILTER, IN LINE	84 to * G3, G4, U4
21	62494-85	O-RING, PUMP MOUNTING	84 to * G3, G4, U4
22	62495-84A	STRAP, TANK HOLDDOWN	84 to E85 G3, G4, U4
23	62496-84	BRACKET, TOP, OIL TANK	84 to E85 G3, G4, U4
24	62497-84	MOUNTING PLATE, OIL TANK	84 to E85 G3, G4, U4
25	62499-84	OIL TANK WITH CAP (SIDE MOUNT)	84 to E85 G3, G4, U4
26	62503-84	CAP, OIL TANK	84 to * G3, G4, U4
27	62506-84	OIL PUMP (CARS WITH SIDE OIL TANK)	84 to E85 G3, G4, U4
	62506-85	OIL PUMP (CARS WITH REAR OIL TANK)	L85 to * G3, G4, U4
28	62507-84	CONTROL CABLE	84 to E85 G3, G4, U4
	62507-85	CONTROL CABLE	L85 to * G3, G4, U4
29	62508-84	COVER, IGNITION AND PUMP MOUNT	84 to * G3, G4, U4
30	62511-84	HOLLOW SCREW, INTAKE FITTING	84 to * G3, G4, U4
31	62512-84	WASHER, FITTING (2)	84 to * G3, G4, U4
32	62515-84	BRACKET, CABLE, CARBURETOR	84 to * G3, G4, U4
33	62516-84	CHECK VALVE	84 to E85 G3, G4, U4
34	62517-84	FAN SCREEN, OIL INJECTION ONLY	84 to * G3, G4, U4
35	62518-84	LEVER, PUMP CABLE ON CARBURETOR	84 to * G3, G4, U4
36	62521-84	CLAMP, SMALL (2)	84 to * G3, G4, U4
37	62523-84	CLAMP LARGE (2)	84 to * G3, G4, U4
38	62531-85	ELBOW FITTING, WITH BUSHING	L85 to * G3, G4, U4
39	62532-85	HOSE, 1/8 in. I.D. 10 FT. LENGTH	84 to * G3, G4, U4
40	62534-85	HOSE, 1/4 in. I.D. 25 FT. LENGTH	84 to * G3, G4, U4
41	91848-84	LABEL, OIL INJECTION, FUEL DOOR	84 to * G3, G4, U4

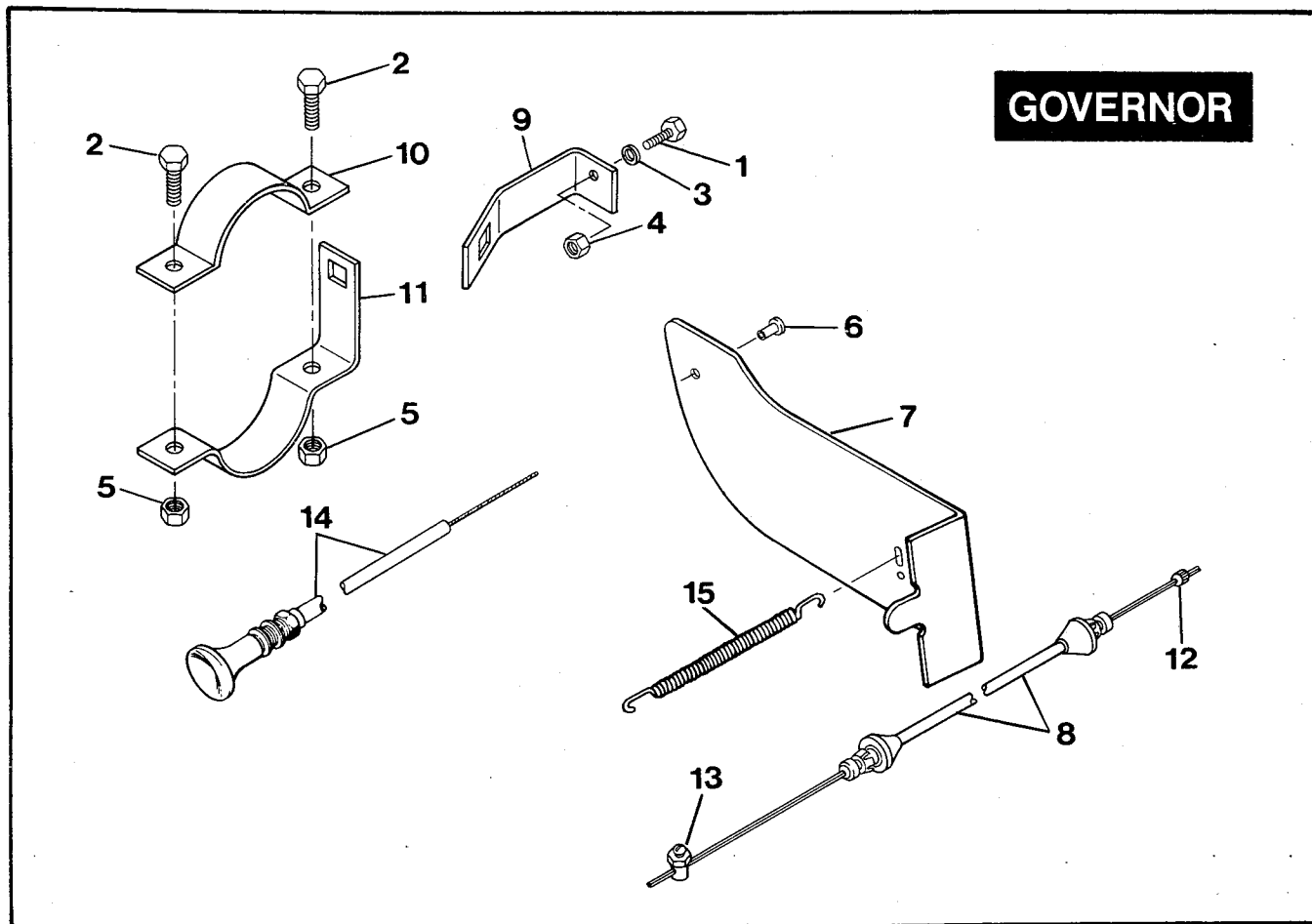
NOTE: "E" indicates Early Models, "L" indicates Late Models,
 "*" indicates latest model year shown on manual cover.

AIR CLEANER



AIR CLEANER

INDEX NO.	PART NO.	NAME	USED ON
1	9955	CLAMP, HOSE (2)	84 to * G3, G4, U4
2	29109-82	HOSE, AIR INTAKE	84 to * G3, G4, U4
3	29124-84	DUST EJECTOR VALVE	84 to * G3, G4, U4
4	29125-84	WINGNUT	84 to * G3, G4, U4
5	29126-84	O-RING	84 to * G3, G4, U4
6	29127-84	WASHER	84 to * G3, G4, U4
7	29128-84	RETAINING CLIP	84 to * G3, G4, U4
8	29129-84	CUP ASSEMBLY	84 to * G3, G4, U4
9	29130-84	AIR CLEANER ASSEMBLY	84 to * G3, G4, U4
10	29131-71	FILTER ELEMENT	84 to * G3, G4, U4
11	29139-83	DECAL, AIR CLEANER SERVICE INSTRUCTION	84 to * G3, G4, U4

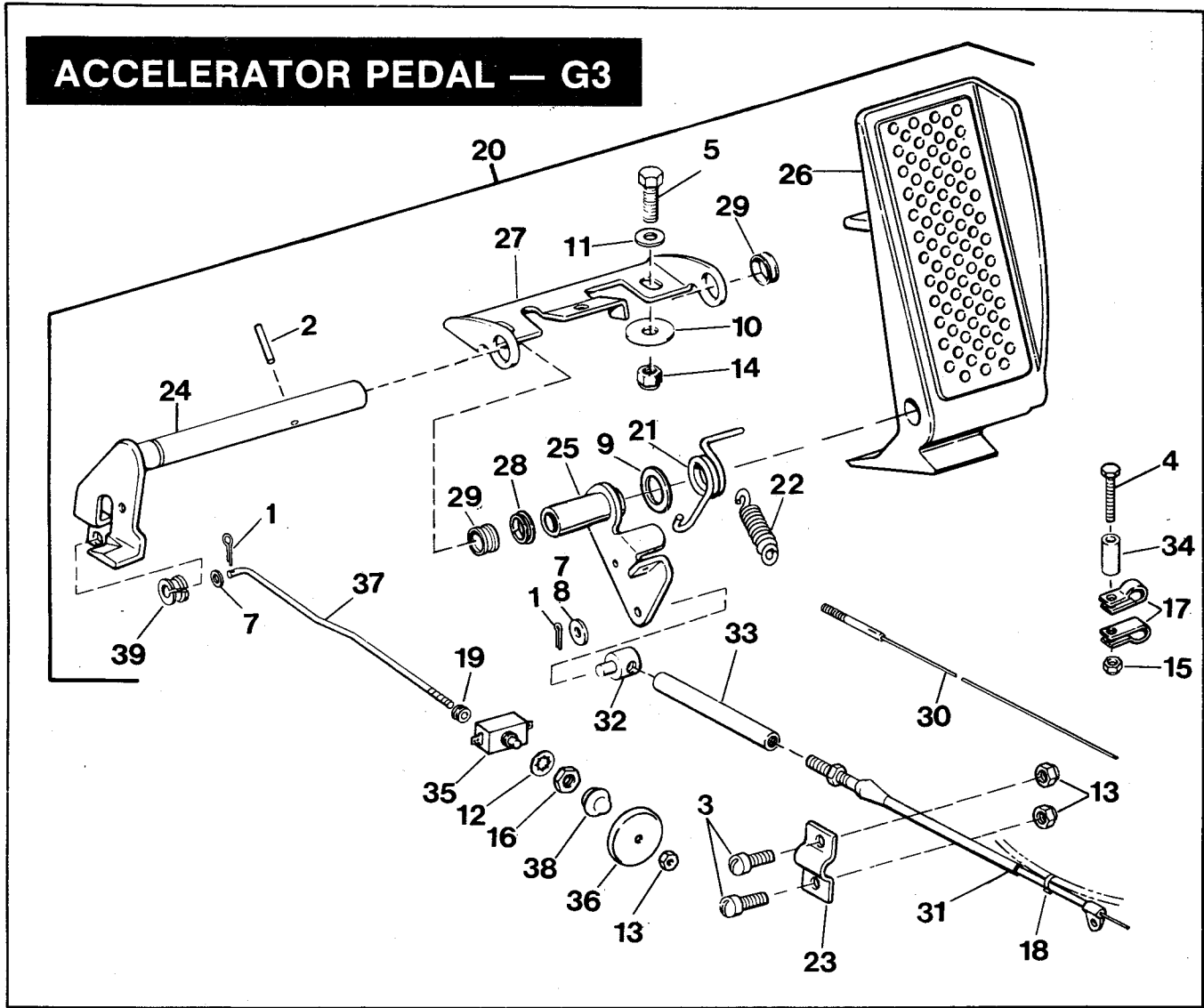


GOVERNOR

INDEX NO.	PART NO.	NAME	USED ON
1	2339	SCREW, ENGINE BRACKET	84 to * G3, G4, U4
2	3787	SCREW, DIFFERENTIAL BRACKET (2)	84 to * G3, G4, U4
3	6192	WASHER, ENGINE BRACKET	84 to * G3, G4, U4
4	7624	NUT, ENGINE BRACKET	84 to * G3, G4, U4
5	7686	LOCKNUT, DIFFERENTIAL BRACKET (2)	84 to * G3, G4, U4
6	26825-84	EYELET (SERVICE IN ASSEMBLY-INDEX NO. 7)..	84 to * G3, G4, U4
7	26826-84A	GOVERNOR ARM	84 to * G3, G4, U4
8	26827-83	GOVERNOR CABLE ASSEMBLY	84 to * G3, G4, U4
9	26828-83	GOVERNOR BRACKET, ENGINE	84 to * G3, G4, U4
10	26829-84	GOVERNOR BRACKET, DIFFERENTIAL (SHORT) ...	84 to * G3, G4, U4
11	26830-84	GOVERNOR BRACKET, DIFFERENTIAL (LONG)	84 to * G3, G4, U4
12	26831-83	GOVERNOR CABLE INNER	84 to * G3, G4, U4
13	26832-83	STOP, GOVERNOR CABLE	84 to * G3, G4, U4
14	27288-82A	CHOKE CONTROL CABLE	84 to * G4, U4 & 85 to * G3
	27288-84	CHOKE CONTROL CABLE	84 G3
15	41833-82	RETURN SPRING, GOVERNOR ARM	84 to * G3, G4, U4

NOTE: "E" indicates Early Models, "L" indicates Late Models,
 "*" indicates latest model year shown on manual cover.

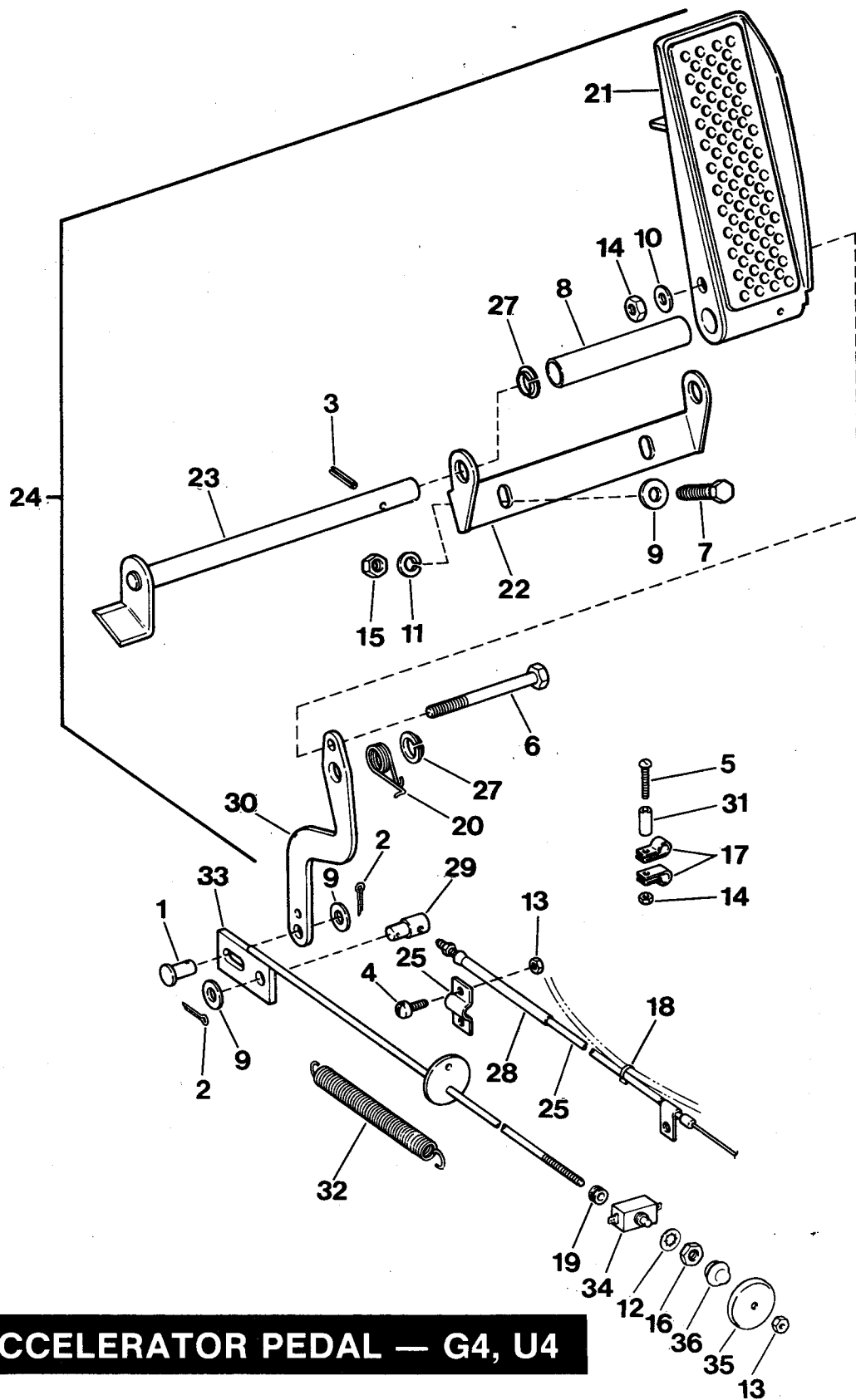
ACCELERATOR PEDAL — G3



ACCELERATOR PEDAL — G3

INDEX NO.	PART NO.	NAME	USED ON
1	551	COTTER PIN	84 to * G3
2	610	ROLL PIN	84 to * G3
3	1198	SCREW (2)	84 to * G3
4	2551W	BOLT	84 to * G3
5	3987	BOLT (2)	84 to * G3
6	6165W	WASHER	84 to * G3
7	6182W	WASHER	84 to * G3
8	6228W	WASHER	84 to * G3
9	6242W	WASHER	84 to * G3
10	6341B	WASHER (2)	84 to * G3
11	6702	WASHER (2)	84 to * G3
12	7130W	LOCKWASHER	84 to * G3
13	7624	LOCKNUT (4)	84 to * G3
14	7740	LOCKNUT (2)	84 to * G3
15	7742	LOCKNUT	84 to * G3
16	7807W	LOCKNUT	84 to * G3
17	9958	CLAMP (UNDER RIGHT FLOORBOARD)	84 to * G3
18	10011	STRAP, CABLES (THROTTLE AND CHOKE)	84 to * G3
19	11410	GROMMET, ACCELERATOR ROD	84 to * G3
20	40498-70	ACCELERATOR PEDAL ASSEMBLY	84 G3
	40498-85	ACCELERATOR PEDAL ASSEMBLY	85to * G3
21	40503-68	RETURN SPRING, ACCELERATOR PEDAL	84 to * G3
22	40509-67	SPRING, ACCELERATOR PEDAL	84 to * G3
23	40511-78	CLAMP, THROTTLE CONTROL CABLE (FLOORBOARD)	84 to * G3
24	40513-71	INTERLOCK SHAFT	84 to * G3
25	40514-68	ACCELERATOR LEVER	84 to * G3
26	40516-68	ACCELERATOR PEDAL	84 to * G3
27	40518-68	BRACKET, ACCELERATOR	84 G3
	40518-85	BRACKET, ACCELERATOR	85 to * G3
28	40520-63	BUSHING, INTERLOCK SHAFT (2)	84 to * G3
29	40522-63	BUSHING, ACCELERATOR (2)	84 to * G3
30	40525-67	THROTTLE CONTROL WIRE	84 to * G3
31	40530-80	THROTTLE CONTROL CABLE ASSEMBLY	84 to * G3
32	40532-68A	WIRE BLOCK, ACCELERATOR LEVER	84 to * G3
33	40533-68	SHIELD TUBE, THROTTLE CABLE	84 to * G3
34	49079-72	SPACER	84 to * G3
35	71506-63	SWITCH, MICRO	84 to * G3
36	71509-70	CUP, MICRO SWITCH	84 to * G3
37	71510-70	ROD, ACCELERATOR TO MICRO SWITCH	84 to * G3
38	71514-68A	COVER, PLUNGER (MICRO SWITCH)	84 to * G3
39	71793-71	BEARING, ACCELERATOR INTERLOCK SHAFT	84 to * G3
40	91119-83	WASHER (2)	84 to * G3

NOTE: "E" indicates Early Models, "L" indicates Late Models,
 "*" indicates latest model year shown on manual cover.



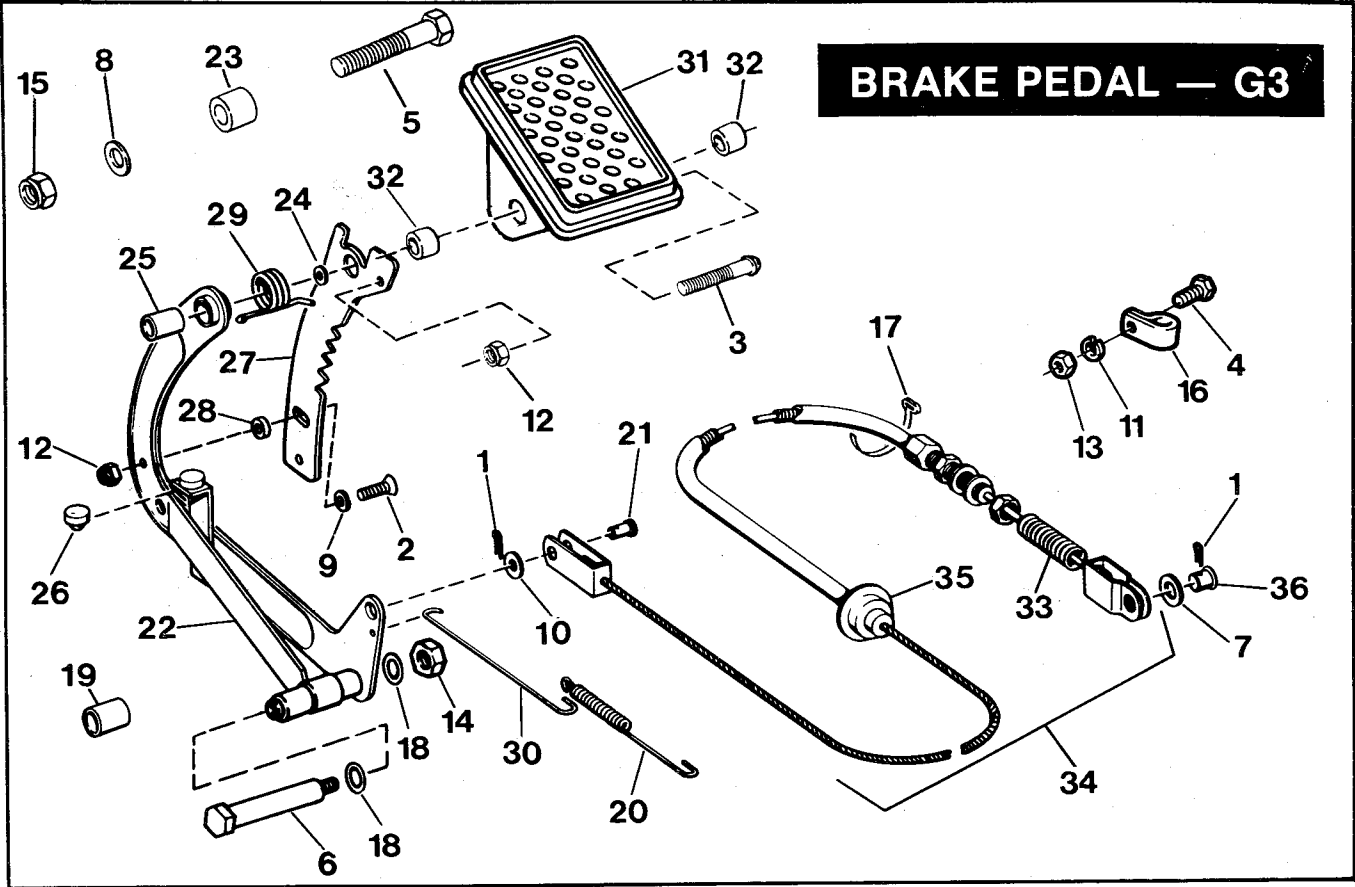
ACCELERATOR PEDAL — G4, U4

ACCELERATOR PEDAL — G4, U4

INDEX NO.	PART NO.	NAME	USED ON
1	496	PIN	84 to * G4, U4
2	515	COTTER PIN (4)	84 to * G4, U4
3	610	ROLL PIN	84 to * G4, U4
4	1198	SCREW (2)	84 to * G4, U4
5	2551W	BOLT	84 to * G4, U4
6	3650	BOLT	84 to * G4, U4
7	3991	BOLT (3)	84 to * G4, U4
8	5745	SPACER	84 to * G4, U4
9	6702	WASHER (3)	84 to * G4, U4
10	6703	WASHER	84 to * G4, U4
11	7041	LOCKWASHER (3)	84 to * G4, U4
12	7130W	LOCKWASHER	84 to * G4, U4
13	7624	LOCKNUT (3)	84 to * G4, U4
14	7742	LOCKNUT	84 to * G4, U4
15	7748W	NUT (3)	84 to * G4, U4
16	7807W	LOCKNUT.....	84 to * G4, U4
17	9958	CLAMP, CABLES (THROTTLE AND CHOKE)	84 to * G4, U4
18	10011	STRAP, CABLES (THROTTLE AND CHOKE)	84 to * G4, U4
19	11443	GROMMET, ACCELERATOR ROD	84 to * G4, U4
20	40449-82	RETURN SPRING, ACCELERATOR PEDAL	84 to * G4, U4
21	40450-78A	ACCELERATOR PEDAL	84 to * G4, U4
22	40451-78	BRACKET, ACCELERATOR PEDAL SHAFT	84 to * G4, U4
23	40455-78	SHAFT, ACCELERATOR PEDAL	84 to * G4, U4
24	40457-82	ACCELERATOR PEDAL ASSEMBLY	84 to * G4, U4
25	40500-82	THROTTLE CONTROL CABLE	84 to * G4, U4
26	40511-78	CLAMP, THROTTLE CONTROL CABLE	84 to * G4, U4
27	40522-63	BUSHING, SHAFT (2)	84 to * G4, U4
28	40533-68	SHIELD TUBE, THROTTLE CABLE	84 to * G4, U4
29	40536-82	WIRE BLOCK, ACCELERATOR CABLE	84 to * G4, U4
30	40543-75	LEVER, ACCELERATOR PEDAL	84 to * G4, U4
31	40979-72	SPACER	84 to * G4, U4
32	71488-82	SPRING, EXTENSION (ACCELERATOR ROD)	84 to * G4, U4
33	71492-82	ROD, ACCELERATOR TO MICRO SWITCH	84 to * G4, U4
34	71506-63	SWITCH, MICRO	84 to * G4, U4
35	71509-70	CUP, MICRO SWITCH	84 to * G4, U4
36	71514-68A	COVER, PLUNGER	84 to * G4, U4

NOTE: "E" indicates Early Models, "L" indicates Late Models,
 "*" indicates latest model year shown on manual cover.

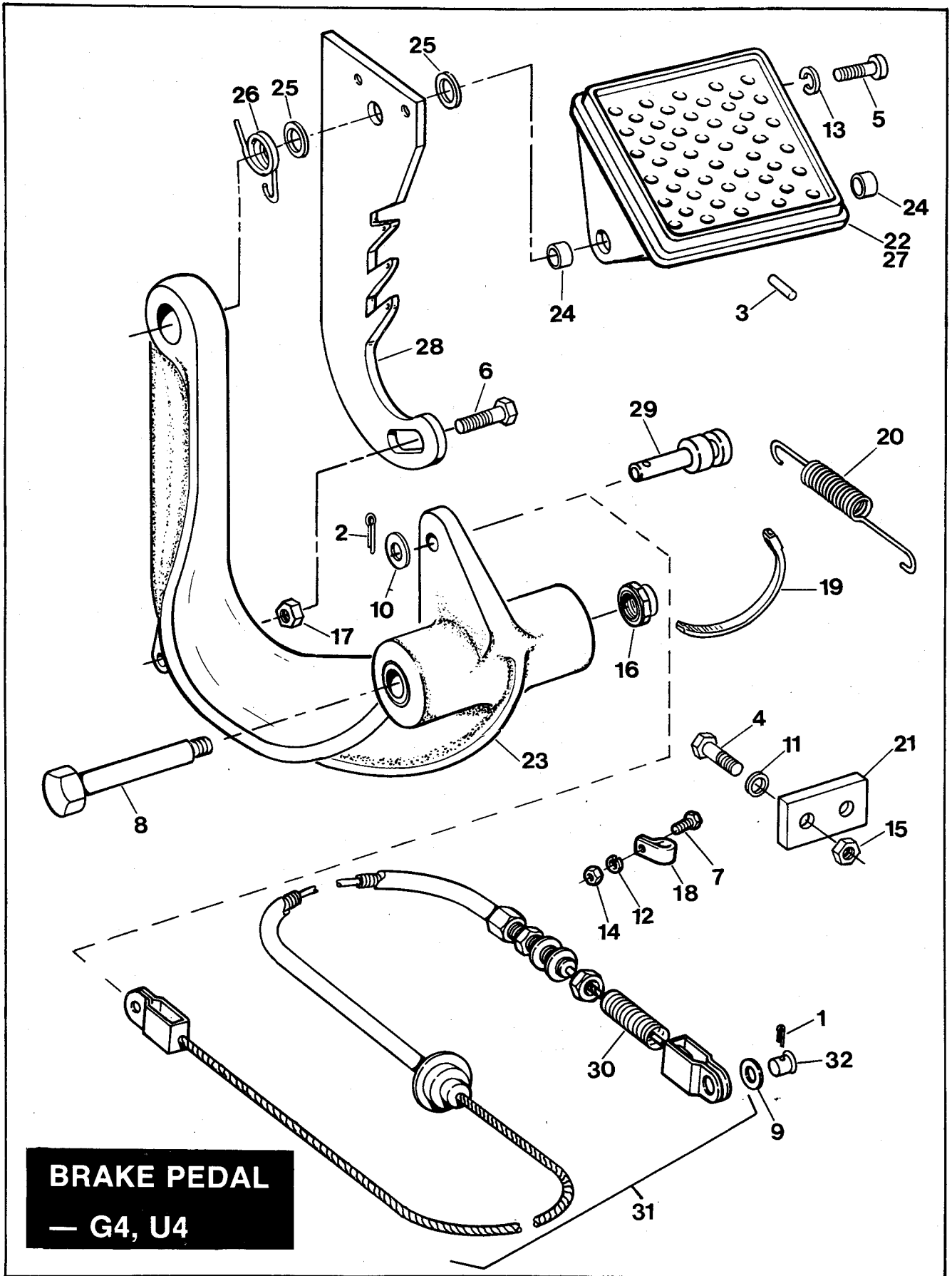
BRAKE PEDAL — G3



BRAKE PEDAL — G3

INDEX NO.	PART NO.	NAME	USED ON
1	515	COTTER PIN (2)	84 to * G3
2	1764W	SCREW	84 to * G3
3	2595	SCREW	84 to * G3
4	3765	BOLT 1/4 - 28 x 5/8	84 to * G3
5	4401W	BOLT 3/8 - 24 x 2 3/4	84 to * G3
6	4427W	SHOULDER BOLT	84 to * G3
7	6375B	WASHER	84 to * G3
8	6701	WASHER 3/8	84 to * G3
9	6702	WASHER	84 to * G3
10	6703	WASHER	84 to * G3
11	7036	LOCKWASHER	84 to * G3
12	7624	LOCKNUT	84 to * G3
13	7676	NUT	84 to * G3
14	7725	LOCKNUT	84 to * G3
15	7776W	NUT 3/8 - 24 THIN LOCKNUT	84 to * G3
16	9963	CLAMP, BRAKE CABLE	84 to * G3
17	10016	STRAP, CABLE	84 to * G3
18	11104	O-RING, BRAKE LEVER (2)	84 to * G3
19	25785-30A	BUSHING, LOWER (2)	84 to * G3
20	41833-82	SPRING, BRAKE PEDAL RETURN	85 to * G3
	41834-67	SPRING, BRAKE PEDAL RETURN	84 G3
21	42269-70	CLEVIS PIN, BRAKE CABLE (PEDAL END)	84 to * G3
22	42405-68	LEVER BRAKE PEDAL	84 to * G3
23	42480-84	SPACER	84 to * G3
24	42481-84	SPACER	84 to * G3
25	42482-63	BUSHING, BRAKE LEVER-UPPER	84 to * G3
26	42483-63	BUMPER, BRAKE LEVER (RUBBER)	84 to * G3
27	42488-63C	RATCHET, BRAKE LEVER	84 to * G3
28	42490-67	SPACER, PEDAL RATCHET	84 to * G3
29	42494-63B	RATCHET SPRING, BRAKE LEVER	84 to * G3
30	42501-67	PULL WIRE, BRAKE PEDAL	84 to * G3
31	42634-78A	BRAKE PEDAL, ONLY	84 to * G3
32	42643-78	BUSHING, BRAKE PEDAL (2)	84 to * G3
33	45070-51A	SPRING, BRAKE CABLE	84 to * G3
34	47740-81A	CABLE ASSEMBLY	84 to * G3
35	47743-63	RETAINER, BRAKE CABLE	84 to * G3
36	73092-61B	CLEVIS PIN, BRAKE CABLE (BRAKE END)	84 to * G3

NOTE: "E" indicates Early Models, "L" indicates Late Models,
 "*" indicates latest model year shown on manual cover.

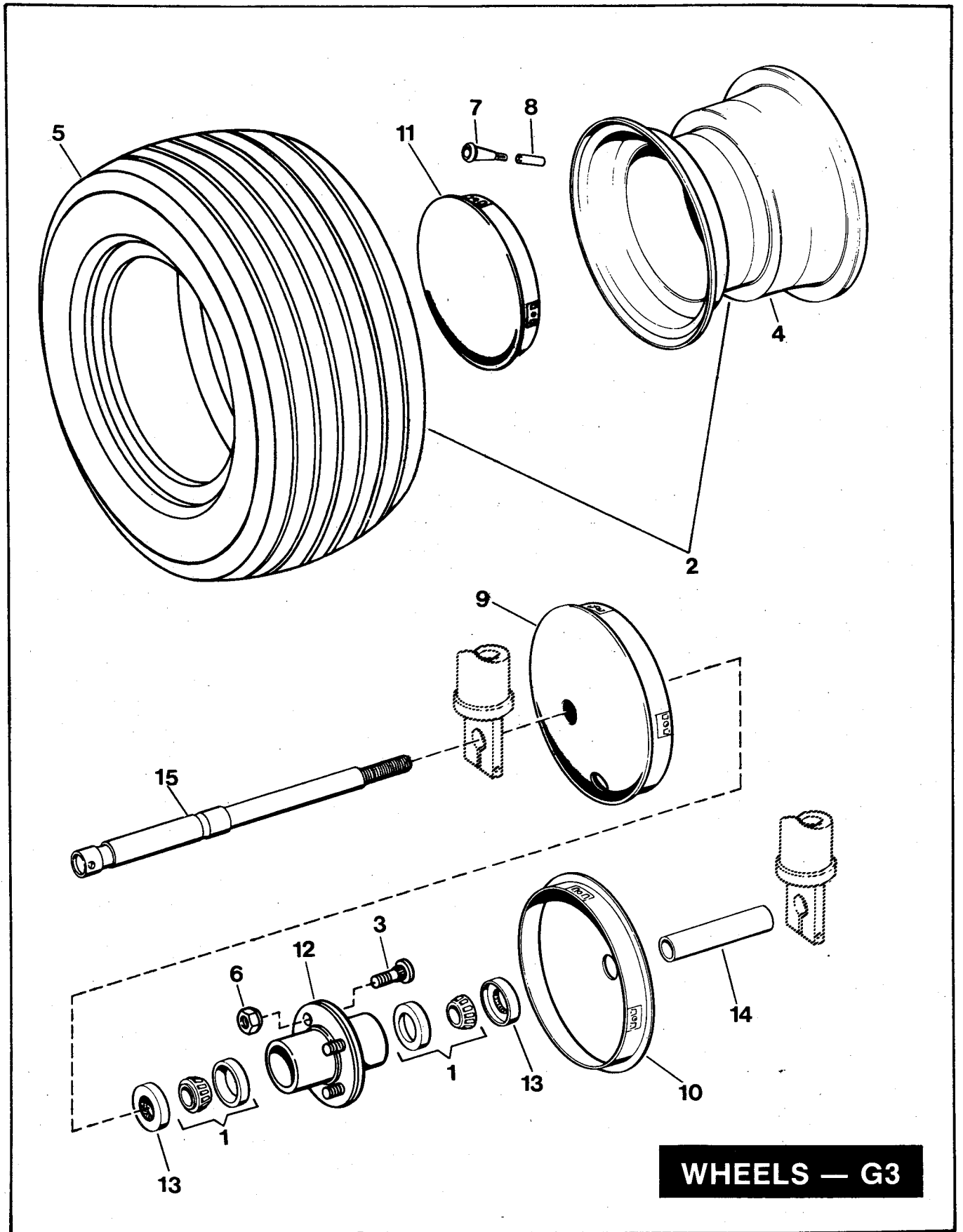


BRAKE PEDAL
— G4, U4

BRAKE PEDAL — G4, U4

INDEX NO.	PART NO.	NAME	USED ON
1	515	COTTER PIN	84 to * G4, U4
2	534	COTTER PIN	84 to * G4, U4
3	610	ROLL PIN, BRAKE PEDAL	84 to * G4, U4
4	2551W	BOLT (2)	84 to * G4, U4
5	2659	SCREW (2)	84 to * G4, U4
6	3459	BOLT	84 to * G4, U4
7	3765	BOLT	84 to * G4, U4
8	4455	SHOULDER BOLT, BRAKE LEVER	84 to * G4, U4
9	6375B	WASHER	84 to * G4, U4
10	6702	WASHER	84 to * G4, U4
11	6703	WASHER (2)	84 to * G4, U4
12	7036	LOCKWASHER	84 to * G4, U4
13	7069	LOCKWASHER (2)	84 to * G4, U4
14	7676	NUT	84 to * G4, U4
15	7686	LOCKNUT (2)	84 to * G4, U4
16	7727	LOCKNUT	84 to * G4, U4
17	7763W	JAMNUT	84 to * G4, U4
18	9963	CLAMP, BRAKE CABLE	84 to * G4, U4
19	10016	STRAP, CABLE, 10 IN.	84 to * G4, U4
20	41834-67	SPRING, BRAKE PEDAL RETURN	84 to * G4, U4
21	42602-78	BUMPER PAD, BRAKE PEDAL	84 to * G4, U4
22	42634-78	BRAKE PEDAL	84 to * G4, U4
23	42636-81	BRAKE, LEVER	84 to * G4, U4
24	42643-78	BUSHING, BRAKE PEDAL (2)	84 to * G4, U4
25	42644-78	WASHER, BRAKE PEDAL (2)	84 to * G4, U4
26	42645-78	SPRING, BRAKE RATCHET	84 to * G4, U4
27	42646-82	BRAKE PEDAL ASSEMBLY	84 to * G4, U4
28	42647-82	RATCHET, BRAKE LEVER	84 to * G4, U4
29	42648-82	CLEVIS PIN, BRAKE CABLE (PEDAL END)	84 to * G4, U4
30	45070-51A	SPRING, BRAKE CABLE	84 to * G4, U4
31	47737-82	BRAKE CABLE ASSEMBLY	84 to * G4, U4
32	73092-61B	CLEVIS PIN, BRAKE CABLE (BRAKE END)	84 to * G4, U4

NOTE: "E" indicates Early Models, "L" indicates Late Models,
 "*" indicates latest model year shown on manual cover.



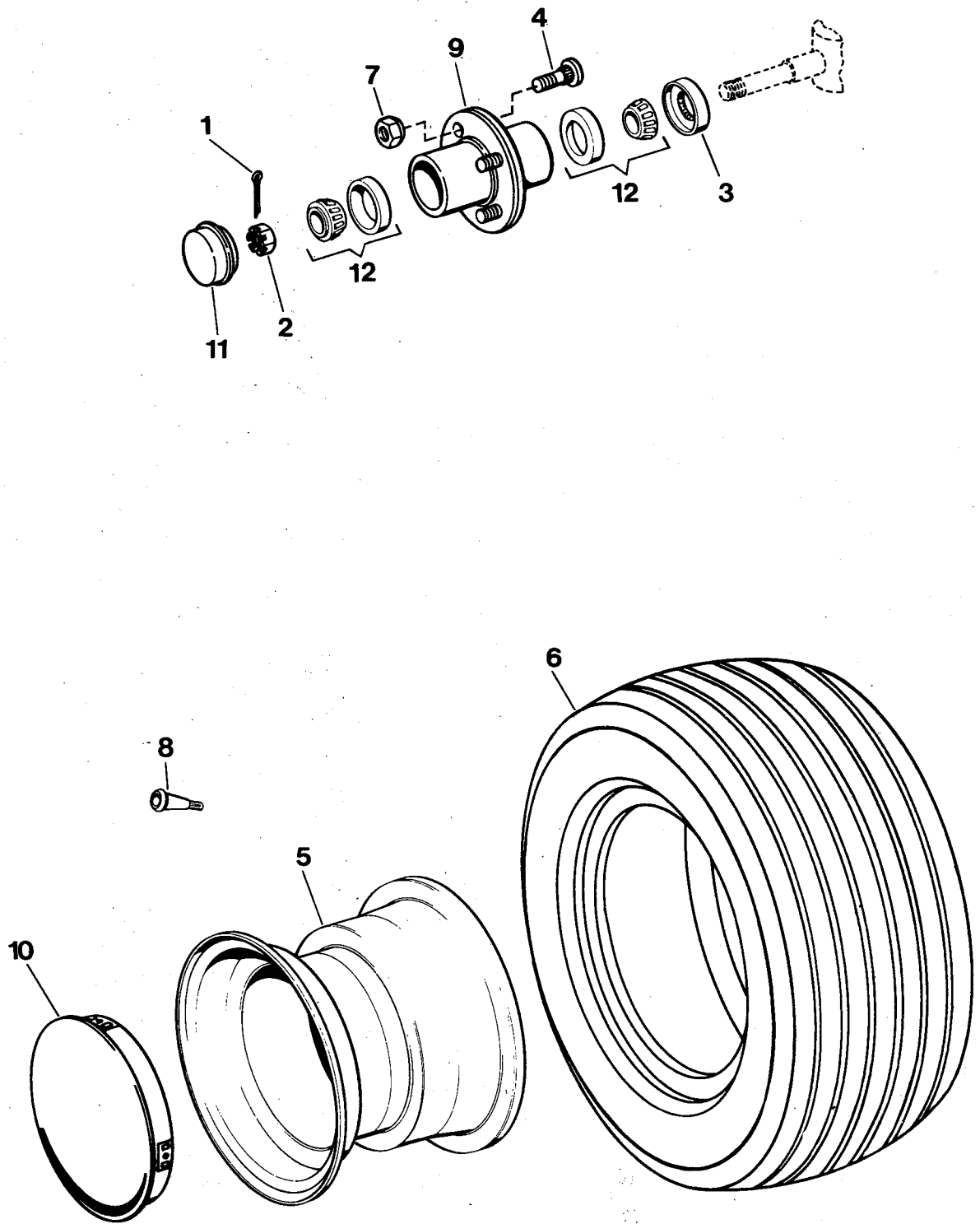
WHEELS — G3

WHEELS — G3

INDEX NO.	PART NO.	NAME	USED ON
1	9033	FRONT WHEEL BEARING (2)	84 to * G3
2	40970-83	TIRE/WHEEL ASSEMBLY-SAWTOOTH	84 to * G3
	40971-83	TIRE/WHEEL ASSEMBLY-TRACTION	84 to * G3
	40972-83	TIRE/WHEEL ASSEMBLY-RIB	84 to * G3
3	41199-66A	MOUNTING BOLT, WHEEL HUBS (12)	84 to * G3
4	42996-83	WHEEL RIM, BEAD LOCK, WHITE	84 to * G3
5	43103-72	TIRE, RIB TREAD	84 to * G3
	43104-72	TIRE, TRACTION TREAD	84 to * G3
	43105-83	TIRE, ALL TERRAIN TREAD	84 to * G3
6	43152-66	WHEEL NUT (4)	84 to * G3
7	43156-63	VALVE, WITH CORE	84 to * G3
8	43158-65	TIRE VALVE EXTENSION, FRONT WHEEL	84 to * G3
9	43601-83	HUB CAP, RIGHT FRONT (COLUMBIA)	84 to * G3
10	43602-83	HUB CAP, LEFT FRONT W/VALVE STEM HOLE (COLUMBIA)	84 to * G3
11	43603-83	HUB CAP, REAR (COLUMBIA)	84 to * G3
12	43614-66A	HUB ASSEMBLY, FRONT WHEEL	84 to * G3
13	43732-63A	OIL SEAL, FRONT WHEEL (2)	84 to * G3
14	43738-81	SPACER, FRONT AXLE	84 to * G3
15	43874-81	FRONT AXLE	84 to * G3

NOTE: "E" indicates Early Models, "L" indicates Late Models,
 "*" indicates latest model year shown on manual cover.

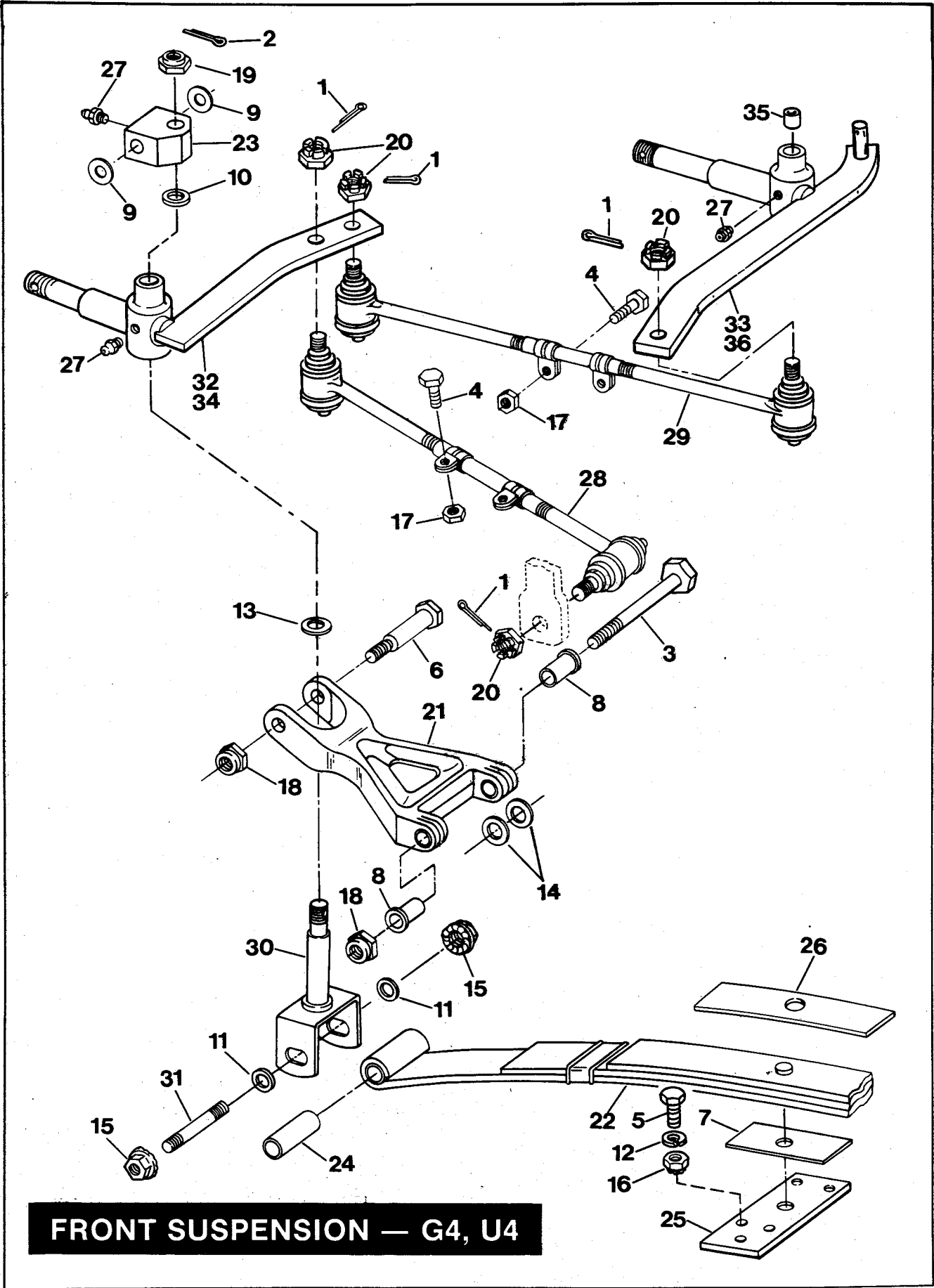
WHEELS — G4, U4



WHEELS — G4, U4

INDEX NO.	PART NO.	NAME	USED ON
1	576	COTTER PIN (2)	84 to * G4, U4
2	7874	CASTLE NUT (2)	84 to * G4, U4
3	12028A	OIL SEAL	84 to * G4, U4
4	41199-66A	STUD, HUB (8)	84 to * G4, U4
5	42996-83	WHEEL RIM, BEAD LOCK, WHITE	84 to * G4, U4
6	43103-72	TIRE, RIB TREAD (8.50 x 8)	84 to * G4, U4
	43104-72	TIRE, TRACTION TREAD (8.50 x 8)	84 to * G4, U4
	43105-83	TIRE, ALL TERRAIN TREAD	84 to * G4, U4
7	43152-66	NUT, WHEEL (16)	84 to * G4, U4
8	43156-63	VALVE, WITH CORE	84 to * G4, U4
9	43480-75	HUB, FRONT WHEEL-WITH BEARINGS AND SEAL (2)	84 G4, U4
	43481-84	HUB, FRONT WHEEL WITH BEARING AND SEAL (2)	84 to * G4, U4
10	43603-83	HUB CAP (COLUMBIA) (4)	84 to * G4, U4
11	43646-79	CAP, HUB	84 to * G4, U4
12	48300-60	BEARING CUP AND CONE	84 to * G4, U4

NOTE: "E" indicates Early Models, "L" indicates Late Models,
 "*" indicates latest model year shown on manual cover.



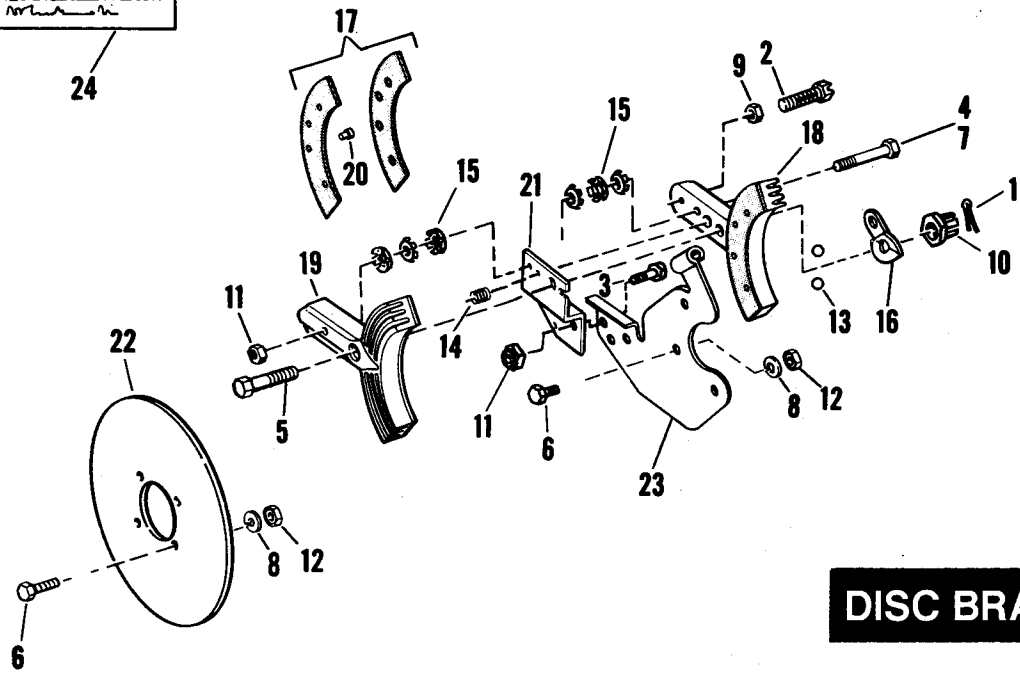
FRONT SUSPENSION — G4, U4

FRONT SUSPENSION — G4, U4

INDEX NO.	PART NO.	NAME	USED ON
1	520W	COTTER PIN (2)	84 to * G4, U4
2	534	COTTER PIN (2)	84 to * G4, U4
3	3456	PIVOT BOLT (2)	84 to * G4, U4
4	4014W	BOLT (4)	84 to * G4, U4
5	4036	BOLT (4)	84 to * G4, U4
6	4250	SHOULDER BOLT, PIVOT BLOCK (2)	84 to * G4, U4
7	5748	SPACER, LEAF SPRING MOUNTING-LOWER	84 to * G4, U4
8	5749	SPACER, A-FRAME PIVOT (4)	84 to * G4, U4
9	6346	WASHER (4)	84 to * G4, U4
10	6347	THRUST WASHER (BRONZE) (2)	84 to * G4, U4
11	6417W	WASHER (4)	84 to * G4, U4
12	6607W	WASHER	84 to * G4, U4
13	6655	WASHER (2)	84 to * G4, U4
14	6698	THRUST WASHER (BRONZE) (4)	84 to * G4, U4
15	7512	LOCKNUT (4)	84 to * G4, U4
16	7725	LOCKNUT (4)	84 to * G4, U4
17	7753	NUT (4)	84 to * G4, U4
18	7775	LOCKNUT (4)	84 to * G4, U4
19	7836	LOCKNUT (2)	84 to * G4, U4
20	7867W	CASTLE NUT (4)	84 to * G4, U4
21	43930-75	A-FRAME (2)	84 to * G4, U4
22	43933-75	LEAF SPRING	84 to * G4, U4
23	43934-82	PIVOT BLOCK (2)	84 to * G4, U4
24	43935-75A	SPACER, LEAF SPRING END (2)	84 to * G4, U4
25	47598-75A	RETAINER PLATE, LEAF SPRING	84 to * G4, U4
26	47605-75	RUBBER INSERT, LEAF SPRING	84 to * G4, U4
27	50972-75	GREASE FITTING (4)	84 to * G4, U4
28	57120-75	TIE ROD, SHORT	84 G4, U4
	57121-84	TIE ROD, SHORT	85 to * G4, U4
29	57130-75	TIE ROD, LONG	84 to * G4, U4
30	57195-82A	KING PIN (2)	84 to * G4, U4
31	57196-78	STUD, 3/8-16 TREAD-BOTH ENDS (2)	84 to * G4, U4
32	57206-84	STEERING ARM, RIGHT	85 to * G4, U4
33	57207-84	STEERING ARM, LEFT	85 to * G4, U4
34	57210-75	STEERING ARM, RIGHT	84 G4, U4
35	57215-75	BUSHING, STEERING ARM (2)	84 to * G4, U4
36	57220-80	STEERING ARM, LEFT	84 G4, U4

NOTE: "E" indicates Early Models, "L" indicates Late Models,
 "*" indicates latest model year shown on manual cover.

CAUTION
Use correct torque
values when
tightening bolts
and nuts.



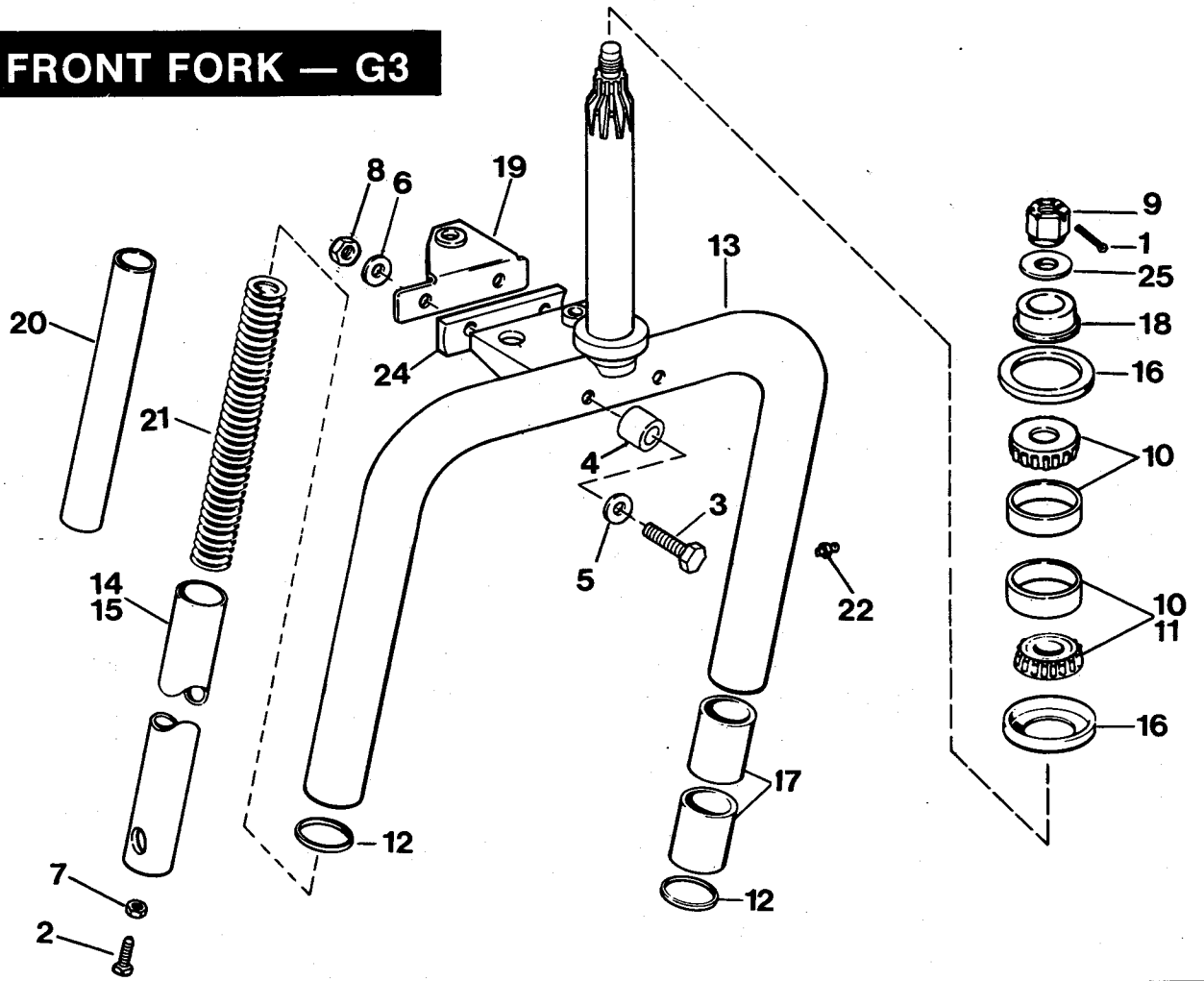
DISC BRAKE

DISC BRAKE

INDEX NO.	PART NO.	NAME	USED ON
1	515	COTTER PIN	84 to * G3, G4, U4
2	2796W	SCREW	84 to * G3, G4, U4
3	3974HW	BOLT (4)	84 to * G3, G4, U4
4	4036	BOLT	84 to * G3, G4, U4
5	4063W	BOLT	84 to * G3, G4, U4
6	4085B	BOLT (4)	84 to * G3, G4, U4
7	4725	BOLT	84 to * G3, G4, U4
8	7041	LOCKWASHER (4)	84 to * G3, G4, U4
9	7688	NUT	84 to * G3, G4, U4
10	7728	CASTLE NUT	84 to * G3, G4, U4
11	7729	LOCKNUT	84 to * G3, G4, U4
12	7753	NUT (4)	84 to * G3, G4, U4
13	8858	BALL, CAM LEVER (2)	84 to * G3, G4, U4
14	38078-47	SPRING, BRAKE SHOE	84 to * G3, G4, U4
15	41424-63	SPRING, WASHER (6)	84 to * G3, G4, U4
16	41427-71	BRAKE CAM LEVER	84 to * G3, G4, U4
17	41810-64A	SET OF BRAKE LININGS AND RIVETS	84 to * G3, G4, U4
18	41811-64A	BRAKE SHOE, REAR	84 to * G3, G4, U4
19	41812-64B	BRAKE SHOE, FRONT	84 to * G3, G4, U4
20	41841-63	RIVET, BRAKE LINING (8)	84 to * G3, G4, U4
21	47742-82	BRACKET-BRAKE SHOE	84 to * G3, G4, U4
22	47744-66	BRAKE DISC	84 to * G3, G4, U4
23	47755-82	BRACKET, BRAKE MOUNTING	84 to * G3, G4, U4
24	52083-72	CAUTION LABEL, BRAKE ADJUSTMENT	84 to * G3, G4, U4

NOTE: "E" indicates Early Models, "L" indicates Late Models,
 "*" indicates latest model year shown on manual cover.

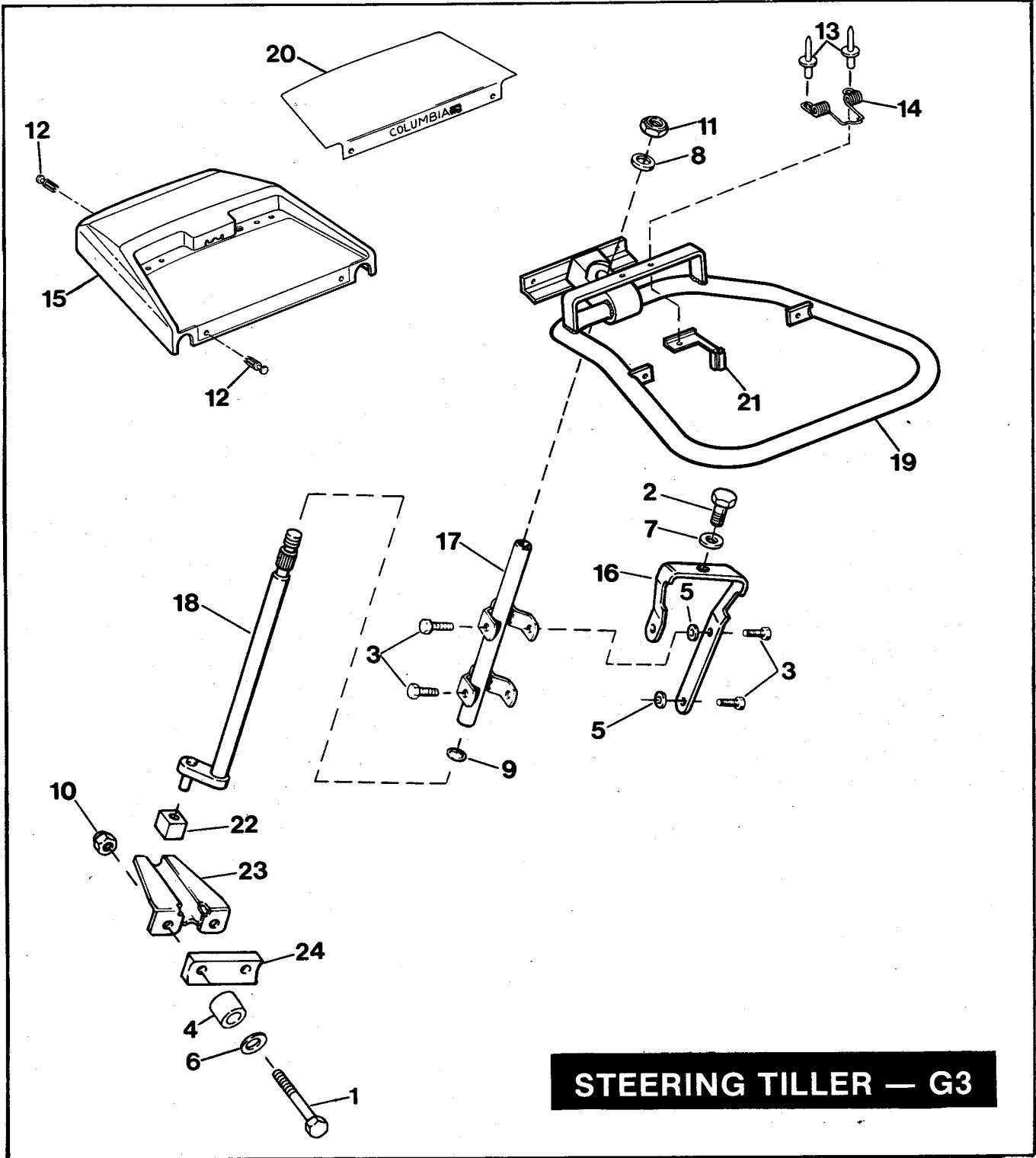
FRONT FORK — G3



FRONT FORK — G3

INDEX NO.	PART NO.	NAME	USED ON
1	559	COTTER PIN	84 to * G3
2	3239W	BOLT	84 to * G3
3	3453	BOLT (2)	84 to * G3
4	5950	SPACER (2)	84 to * G3
5	6440B	SHIM, TURNING RADIUS/WHEEL CLEARANCE (AS REQUIRED)	84 to * G3
6	6701	WASHER (2)	84 to * G3
7	7676	NUT	84 to * G3
8	7778	LOCKNUT (2)	84 to * G3
9	7947W	CASTLE NUT	84 to * G3
10	9045	ROLLER BEARING (2-1984, 1-1985 AND LATER)	84 to * G3
11	9051	ROLLER BEARING	85 to * G3
12	12009	SEAL (2)	84 to * G3
13	45529-74	FORK WITH BUSHINGS	84 to * G3
14	45593-70	FORK SLIDER, RIGHT	84 to * G3
15	45594-70	FORK SLIDER, LEFT	84 to * G3
16	45599-63	BEARING GUARD, STEERING HEAD	84 to * G3
16A	45599-70	BEARING GUARD, STEERING HEAD	84 to * G3
17	45630-70	BUSHING, FORK TUBE (4)	84 to * G3
18	45632-70	SPACER, FORK STEM	84 G3
	45632-85	SPACER, FORK STEM	85 to * G3
19	45652-74	BRACKET, FORK STEERING ONLY	84 to * G3
20	46047-70	LINER, FORK SPRING (2)	84 to * G3
21	46049-63A	SPRING (2)	84 to * G3
22	50972-75	GREASE FITTING (2)	84 to * G3
23	57203-74	CHANNEL, SLIDER BLOCK, TILLER ONLY	84 to * G3
24	57204-74	SPACER	84 to * G3
25	83975-37A	WASHER	84 to * G3

NOTE: "E" indicates Early Models, "L" indicates Late Models,
 "*" indicates latest model year shown on manual cover.



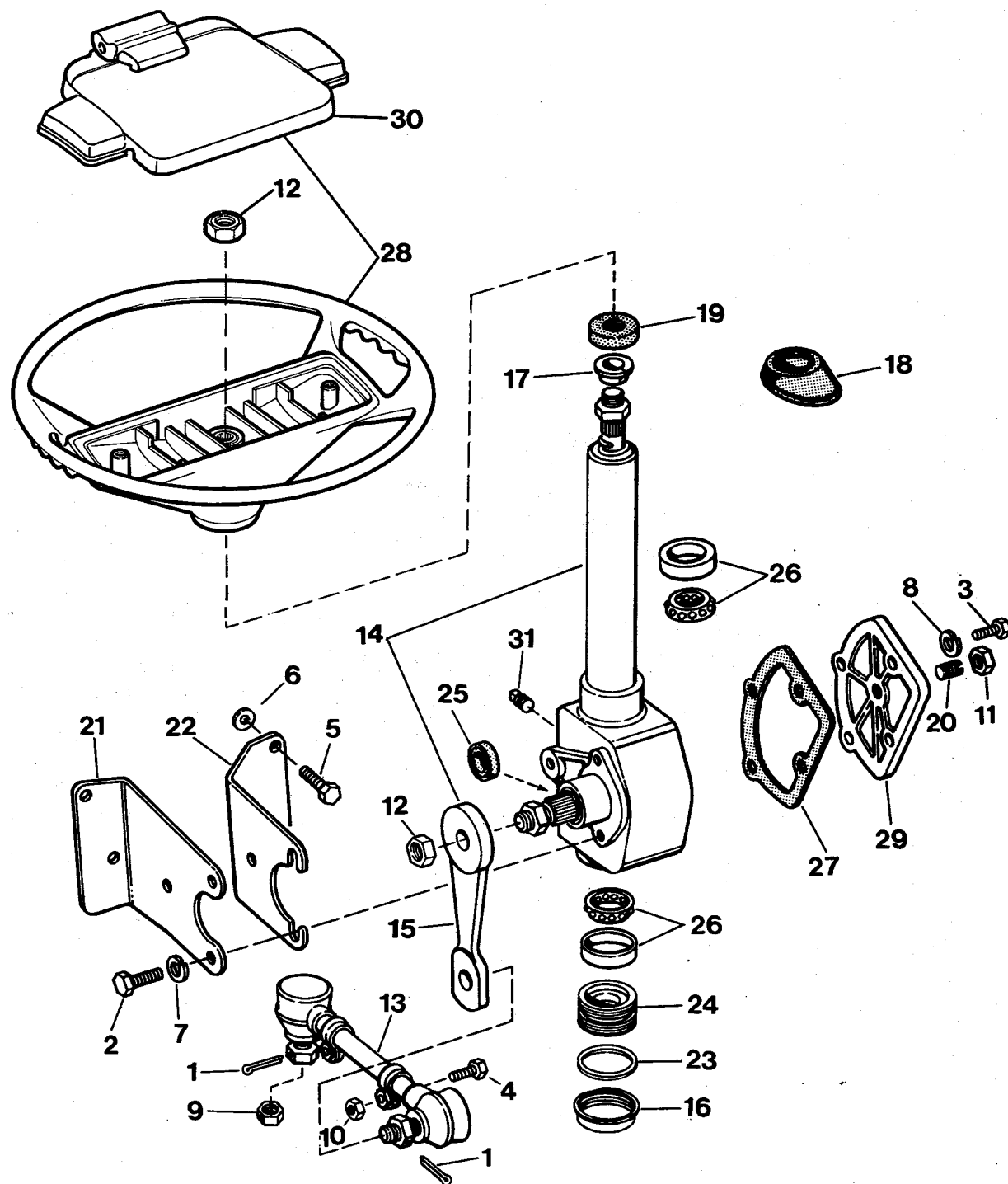
STEERING TILLER — G3

STEERING TILLER — G3

INDEX NO.	PART NO.	NAME	USED ON
1	2828W	BOLT (2).....	84 to * G3
2	3960W	BOLT.....	84 to * G3
3	4319	BOLT (4).....	84 to * G3
4	5950	SPACER (2).....	84 to * G3
5	6418B	WASHER (STEERING WHEEL) (2).....	84 to * G3
6	6440B	SHIM, TURNING RADIUS/WHEEL CLEARANCE (AS REQUIRED).....	84 to * G3
7	6702	WASHER	84 to * G3
8	6714W	WASHER.....	84 to * G3
9	6809	THRUSTWASHER, TILLER SHAFT-UPPER (2).....	84 to * G3
10	7778	LOCKNUT (2).....	84 to * G3
11	7993	LOCKNUT.....	84 to * G3
12	8207	PUSH RIVET (4).....	84 to * G3
13	8483	RIVET, SCORE CARD SPRING (2).....	84 to * G3
14	31407-80A	SPRING, SCORE CARD.....	84 to * G3
15	31413-84	HOLDER, SCORE CARD.....	84 to * G3
16	45584-63C	BRACKET, STEERING HEAD (TILLER).....	84 to * G3
17	57011-74	TILLER SHAFT TUBE ASSEMBLY.....	84 to * G3
18	57021-74	TILLER SHAFT.....	84 to * G3
19	57026-84	TILLER BAR.....	84 to * G3
20	57032-84	MAT, SCORE CARD HOLDER.....	84 to * G3
21	57037-84	PENCIL HOLDER.....	84 to * G3
22	57202-74	SLIDER BLOCK, TILLER.....	84 to * G3
23	57203-74	CHANNEL, SLIDER BLOCK.....	84 to * G3
24	57204-74	SPACER.....	84 to * G3

NOTE: "E" indicates Early Models, "L" indicates Late Models,
 "*" indicates latest model year shown on manual cover.

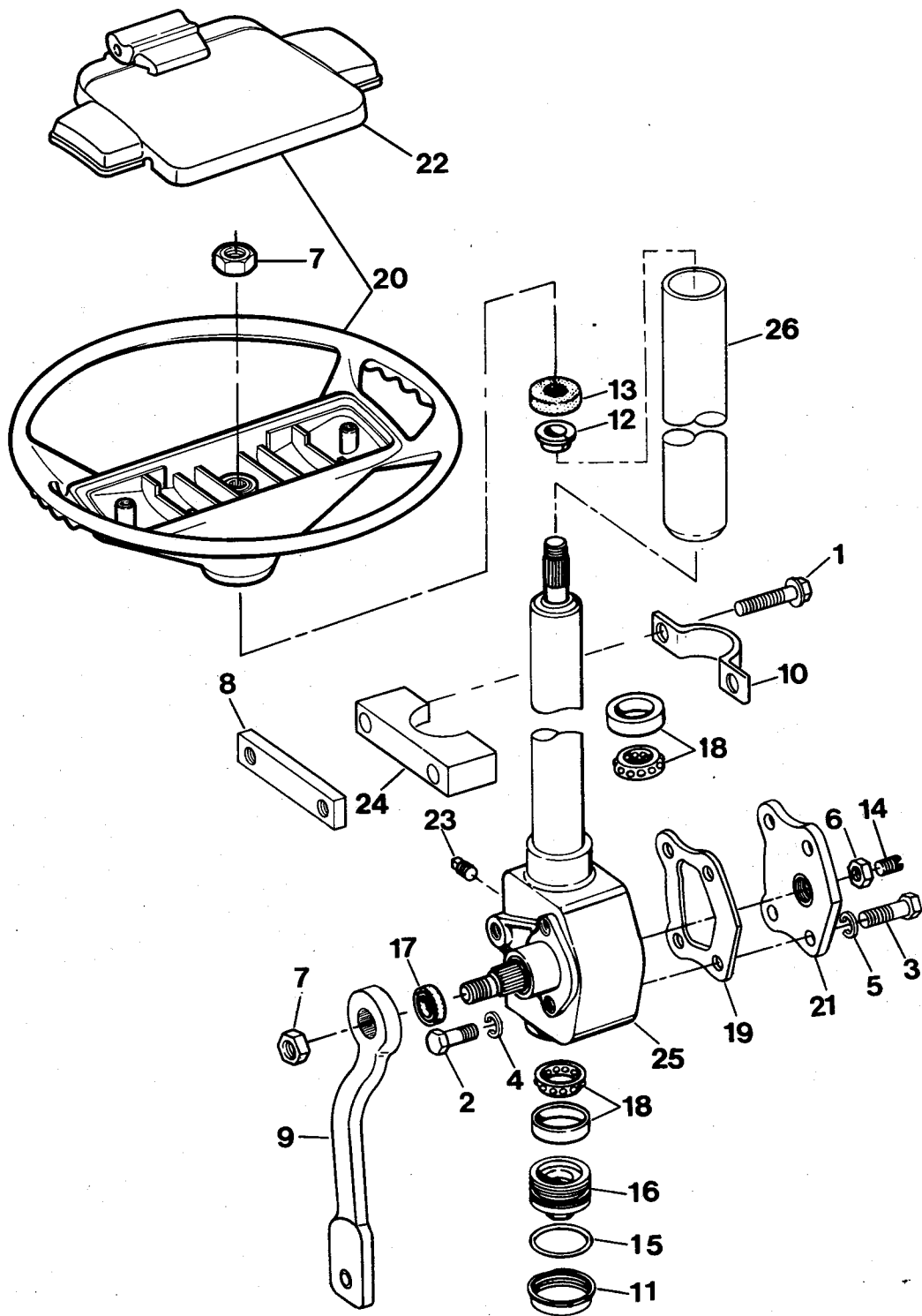
STEERING WHEEL AND GEAR — G3



STEERING WHEEL AND GEAR — G3

INDEX NO.	PART NO.	NAME	USED ON
1	554	COTTER PIN, 1/8x1-1/4 (2)	84 to * G3
2	3782	BOLT, 7/16-14x1-1/4 HEX. HD. (3)	84 to * G3
3	3991	BOLT, 5/16-18x7/8 HEX. HD. (4)	84 to * G3
4	4014W	BOLT, 5/16-24x1-1/14 HEX. HD. (4)	84 to * G3
5	4319	BOLT, 3/8-24x1 HEX. HD. (6)	84 to * G3
6	6418B	WASHER, 3/8x1-1/8x11/64 (3)	84 to * G3
7	7039	LOCKWASHER, 7/16 (3)	84 to * G3
8	7041	LOCKWASHER, 5/16 (4)	84 to * G3
9	7607B	CASTLE NUT, 1/2-20x7/16x3/4 HEX. (2)	84 to * G3
10	7753	NUT, 5/16-24x1/4x1/2 HEX. (2)	84 to * G3
11	7845	NUT, 1/4-20x7/16x3/4 HEX.	84 to * G3
12	7995	NUT, 5/8-18x3/8x15/16 (2)	84 to * G3
13	57063-67	TIE ROD, STEERING ARM	84 to * G3
14	57064-69	STEERING GEAR ASSEMBLY	84 to * G3
15	57065-67	ARM, STEERING GEAR	84 to * G3
16	57066-68	LOCKNUT, STEERING GEAR END CAP	84 to * G3
17	57067-68	BUSHING, STEERING SHAFT (NYLON)	84 to * G3
18	57068-67	BOOT, STEERING COLUMN (RUBBER)	84 to * G3
19	57070-68	SPACER, STEERING COLUMN DIRT GUARD	84 to * G3
20	57071-68	ADJUSTING SCREW, STEERING GEAR WORM	84 to * G3
21	57072-67	FRONT BRACKET, STEERING GEAR	84 to * G3
22	57073-67	REAR BRACKET, STEERING GEAR	84 to * G3
23	57074-68	SEAL, END CAP	84 to * G3
24	57076-68	END CAP	84 to * G3
25	57081-67	SEAL, STEERING SHAFT	84 to * G3
26	57082-67	SET OF BEARINGS AND CUPS, WORM SHAFT	84 to * G3
27	57084-67	GASKET, SIDE COVER	84 to * G3
28	57085-84A	STEERING WHEEL	84 to * G3
29	57088-67	SIDE COVER	84 to * G3
30	57089-84A	SCORE CARD HOLDER ASSEMBLY	84 to * G3
31	57090-67	FILLER PLUG	84 to * G3

NOTE: "E" indicates Early Models, "L" indicates Late Models,
 "*" indicates latest model year shown on manual cover.

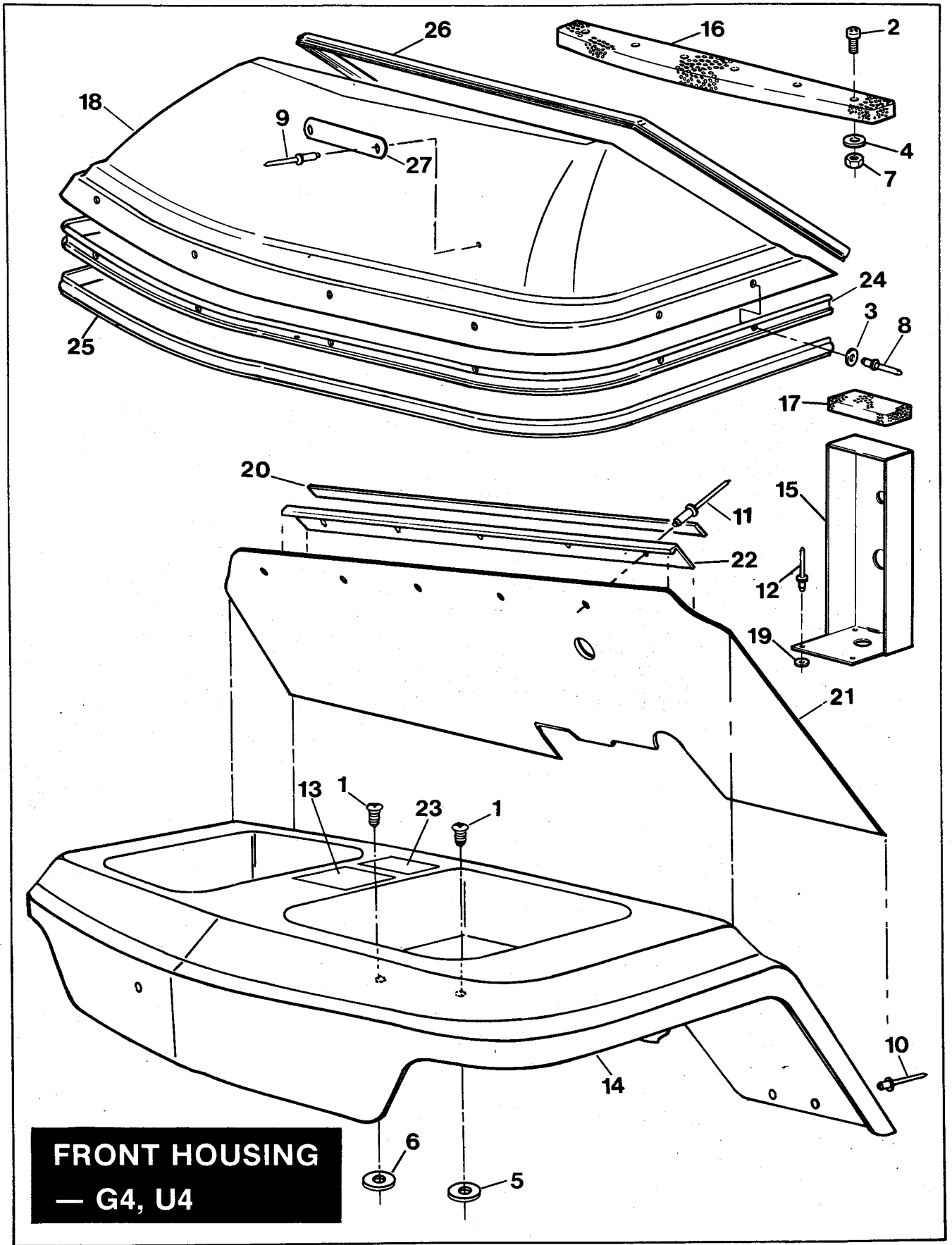


STEERING WHEEL AND GEAR — G4, U4

STEERING WHEEL AND GEAR — G4, U4

INDEX NO.	PART NO.	NAME	USED ON
1	3783	BOLT (2)	84 to * G4, U4
2	3854	BOLT (4)	84 to * G4, U4
3	3991	BOLT (4)	84 to * G4, U4
4	7039	LOCKWASHER (4)	84 to * G4, U4
5	7041	LOCKWASHER (4)	84 to * G4, U4
6	7845	LOCKNUT	84 to * G4, U4
7	7995	NUT	84 to * G4, U4
8	43805-78	LOCK PLATE, SUPPORT BLOCK	84 to * G4, U4
9	47585-75A	ARM, STEERING GEAR	84 to * G4, U4
10	47596-75	CLAMP, STEERING COLUMN SUPPORT BLOCK	84 to * G4, U4
11	57066-68	LOCKNUT, STEERING GEAR END CAP	84 to * G4, U4
12	57067-68	NYLON BUSHING, STEERING SHAFT	84 to * G4, U4
13	57070-68	DUST SEAL	84 to * G4, U4
14	57071-68	ADJUSTING SCREW, STEERING WORM GEAR	84 to * G4, U4
15	57074-68	SEAL, END CAP	84 to * G4, U4
16	57076-68	END CAP	84 to * G4, U4
17	57081-67	OIL SEAL, STEERING SHAFT	84 to * G4, U4
18	57082-67	SET OF TWO BEARINGS AND CUPS, WORM SHAFT	84 to * G4, U4
19	57084-67	GASKET, SIDE COVER	84 to * G4, U4
20	57085-84A	STEERING WHEEL	84 to * G4, U4
21	57088-67	SIDE COVER	84 to * G4, U4
22	57089-84A	SCORE CARD HOLDER ASSEMBLY	84 to * G4, U4
23	57090-67	FILLER PLUG	84 to * G4, U4
24	57135-75A	SUPPORT BLOCK, STEERING COLUMN	84 to * G4, U4
25	57226-75	STEERING GEAR ASSEMBLY	84 to * G4, U4
26	57227-75A	SHELL, STEERING GEAR ASSEMBLY	84 to * G4, U4

NOTE: "E" indicates Early Models, "L" indicates Late Models,
 "*" indicates latest model year shown on manual cover.

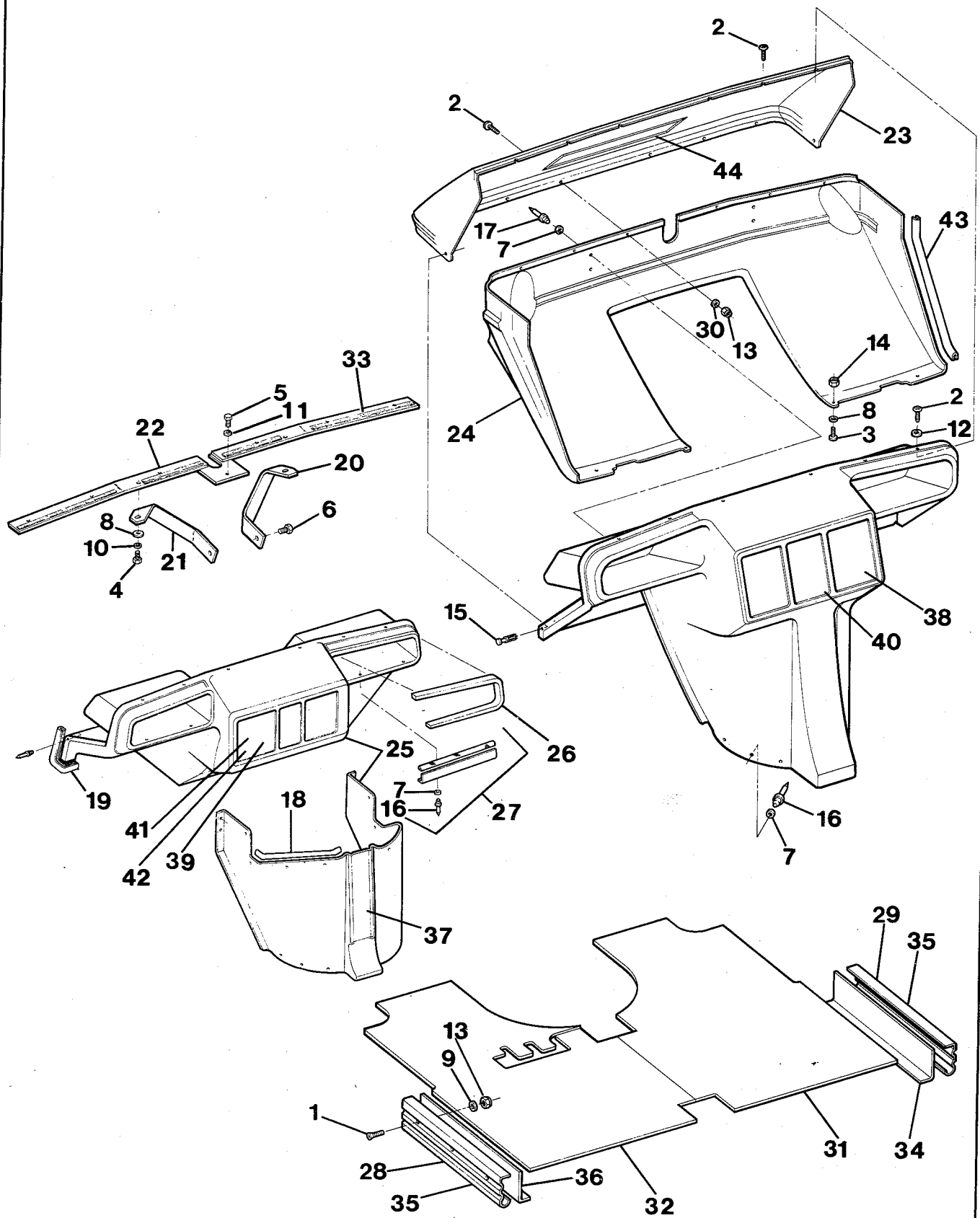


FRONT HOUSING
— G4, U4

FRONT HOUSING — G4, U4

INDEX NO.	PART NO.	NAME	USED ON
1	2745	SCREW (4)	84 to * G4, U4
2	2788	SCREW, PROTECTOR STRIP (6)	84 to * U4
3	6150W	WASHER (8)	84 to * G4, U4
4	6716	WASHER, PROTECTOR STRIP (6)	84 to * G4, U4
5	7415	RUBBER WASHER (2)	84 to * G4, U4
6	7416	RUBBER WASHER (2)	84 to * G4, U4
7	7624	LOCKNUT, PROTECTOR STRIP (6)	84 to * U4
8	8212	POP RIVET (8)	84 to * G4, U4
9	8321	POP RIVET (2)	84 to * G4, U4
10	8480	POP RIVET (BLACK ALUMINUM) (3)	84 to * G4, U4
11	8641B	POP RIVET (BLACK) (5)	84 to * G4, U4
12	8687	RIVET, SUPPORT MOUNTING (4)	84 to * U4
13	46941-80	WARNING LABEL, "FOR PERSONAL SAFETY" ETC.	84 to * G4, U4
14	50209-83	FRONT HOUSING, TAN	84 to * U4
	50210-79	FRONT HOUSING	84 to * G4
15	50240-83	SUPPORT, FRONT SHIELD	84 to * U4
16	50251-83	PROTECTOR STRIP, SHIELD	84 to * U4
17	50275-67A	CUSHION, SUPPORT MOUNTING	84 to * U4
18	50282-82	SHIELD ONLY	84 to * G4
	50286-84	SHIELD ONLY, TAN	84 to * U4
19	50311-83	WASHER, SUPPORT MOUNTING (2)	84 to * U4
20	50583-72	TAPE, FRONT HOUSING-33 IN.	84 to * G4, U4
21	50701-75B	FLOOR MAT	84 to * G4, U4
22	50703-75	MOUNTING, FLOOR MAT	84 to * G4, U4
23	53286-82	LABEL, "OPERATING INSTRUCTIONS"	84 to * G4, U4
24	58511-76	TRIM, CHANNEL	84 to * G4, U4
25	58512-76	TRIM, CHANNEL	84 to * G4, U4
26	58513-76	TRIM, SHIELD EDGE	84 to * G4, U4
27	61253-83	NAMEPLATE, "COLUMBIA"	84 to * U4
	61259-84	NAMEPLATE	84 to * G4

NOTE: "E" indicates Early Models, "L" indicates Late Models,
 "*" indicates latest model year shown on manual cover.

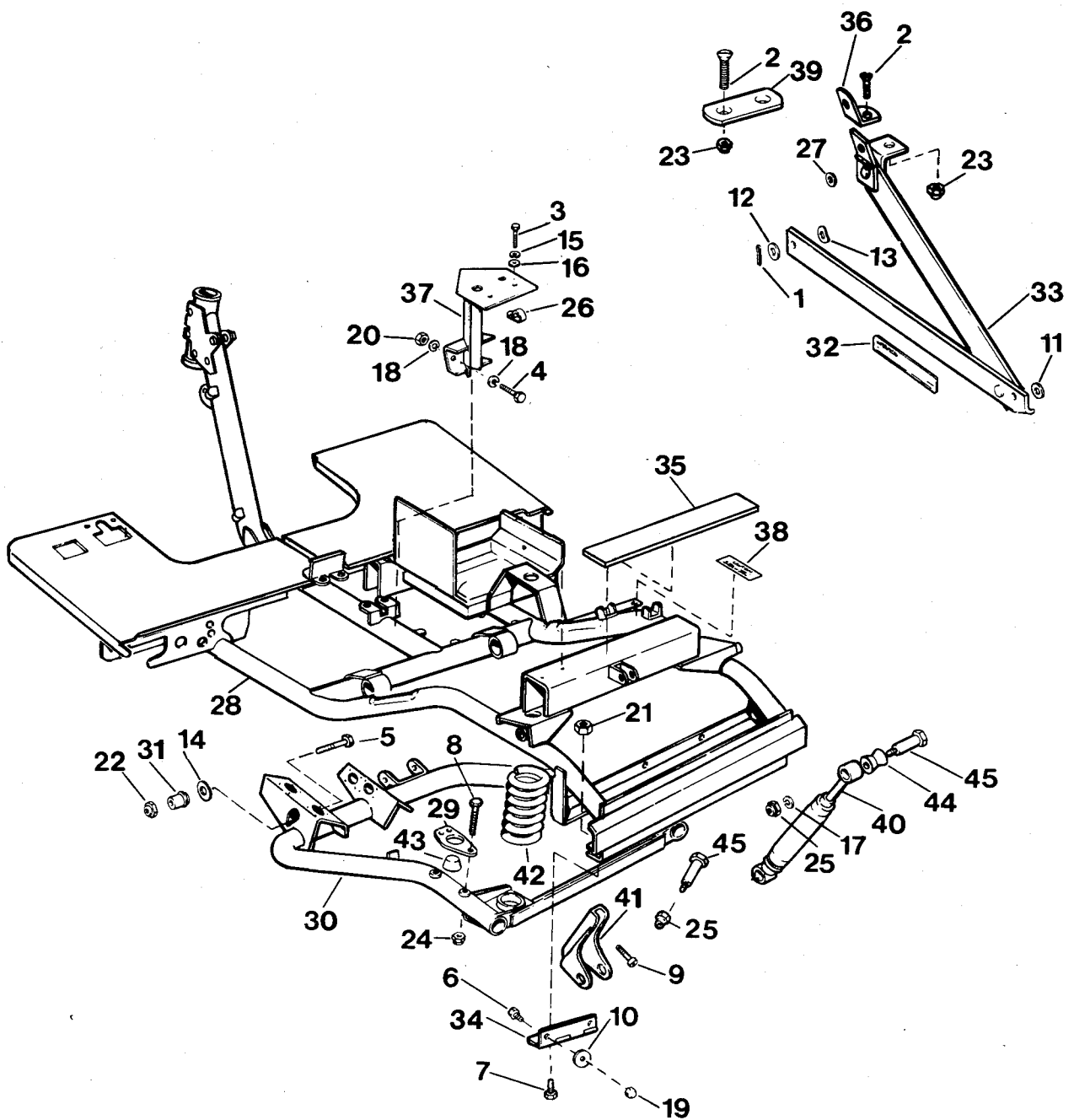


**FRONT HOUSING, CONTROL PANEL
AND FLOORMATS — G3**

FRONT HOUSING, CONTROL PANEL AND FLOORMATS — G3

INDEX NO.	PART NO.	NAME	USED ON
1	1784	SCREW 10-24x3/4 IN. FLOOR TRIM (6)	84 to * G3
2	2788	SCREW 10-24x1 IN. (12)	84 to * G3
3	3767B	SCREW 1/4-20x5/8 (4)	84 to * G3
4	3787W	BOLT 1/4x20x3/4 HEX. HD. (2)	84 to * G3
5	3960W	BOLT 5/16-24x1 HEX. HD.	84 to * G3
6	4319	BOLT 3/8-24x1 HEX. HD. (2)	84 to * G3
7	6150W	WASHER (10)	84 to * G3
8	6703	WASHER 1/4 (6)	84 to * G3
9	6716	WASHER (6)	84 to * G3
10	7036	LOCKWASHER 1/4 (2)	84 to * G3
11	7041	LOCKWASHER 5/16	84 to * G3
12	7230	LOCKWASHER, INTERNAL TOOTH (6)	84 to * G3
13	7624	LOCKNUT, 10-24 (6)	84 to * G3
14	7742	LOCKNUT, 1/4-20 (4)	84 to * G3
15	8207	RIVET, PUSH	84 to * G3
16	8480	RIVET (6)	84 to * G3
17	8685	RIVET (4)	84 to * G3
18	29279-84	MOULDING, WHEEL HOUSING	84 G3
19	29280-84	MOULDING, CONTROL PANEL	84 G3
20	45585-84	BRACKET, RIGHT FRONT HOUSING	84 to * G3
21	45586-84	BRACKET, LEFT FRONT HOUSING	84 to * G3
22	45590-85	BRACE ASSEMBLY, TOP FRONT HOUSING	84 to * G3
23	50202-84	UPPER HOUSING	84 to * G3
24	50203-84	LOWER HOUSING	84 to * G3
25	50204-85	CONTROL PANEL	84 to * G3
26	50207-84	GUARD, CONTROL PANEL RIGHT	84 G3
	50208-84	GUARD, CONTROL PANEL LEFT	84 G3
27	50231-84	LEDGE ASSEMBLY, POCKET	84 to * G3
28	50284-84	TRIM, PLASTIC, FLOOR LEFT	84 G3
29	50285-84	TRIM, PLASTIC, FLOOR RIGHT	84 G3
30	50311-83	WASHER	84 to * G3
31	50528-84	FLOOR MAT, LEFT	85 to * G3
32	50529-84	FLOOR MAT, RIGHT	85 to * G3
33	50583-72	TAPE (FOAM STRIP), FRONT HOUSING	85 to * G3
34	50752-84	TRIM, METAL, FLOOR RIGHT	84 G3
35	50752-85	TRIM, FLOORBOARD (2)	85 to * G3
36	50753-84	TRIM, METAL, FLOOR LEFT	84 G3
37	53268-84	LABEL, WARNING	84 G3
38	53268-85	LABEL, WARNING	85 to * G3
39	53269-84	LABEL, CHOKE	84 G3
40	53270-85	LABEL, OPERATING	85 to * G3
41	53271-84	LABEL, FORWARD/REVERSE	84 G3
42	53272-84	LABEL, CAUTION	84 G3
43	58415-84	TRIM, LOWER HOUSING	84 to * G3
44	61260-84	DECAL, "COLUMBIA" BLUE/RED	84 to * G3

NOTE: "E" indicates Early Models, "L" indicates Late Models,
 "*" indicates latest model year shown on manual cover.

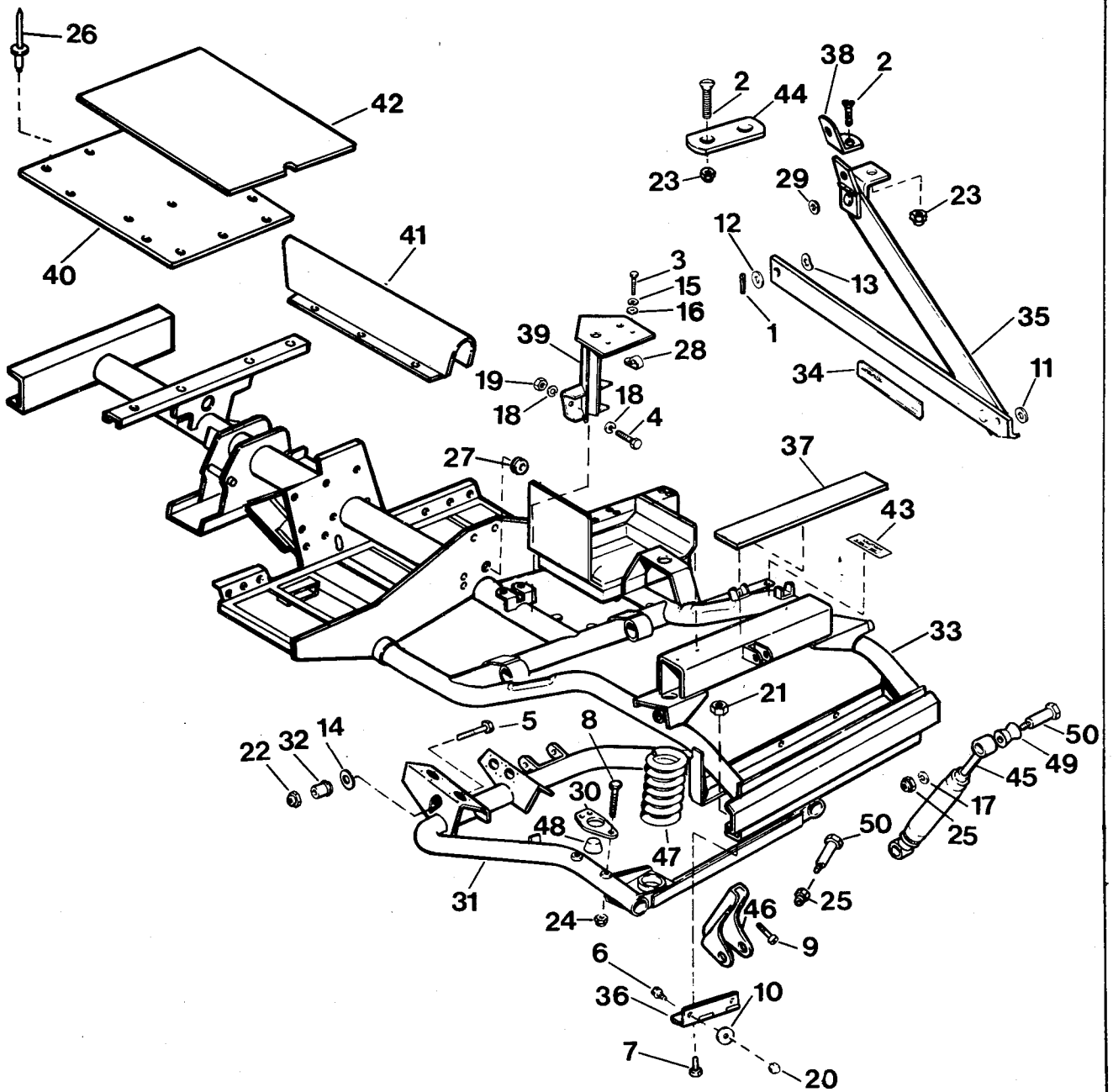


FRAME AND REAR SUSPENSION — G3

FRAME AND REAR SUSPENSION — G3

INDEX NO.	PART NO.	NAME	USED ON
1	515	COTTER PIN (2)	84 to * G3
2	1357W	SCREW (4)	84 to * G3
3	3728	BOLT (5)	84 to * G3
4	3787	SCREW (2)	84 to * G3
5	3950	BOLT (2)	84 to * G3
6	4017	BOLT (4)	84 to * G3
7	4391	BOLT (4)	84 to * G3
8	4434W	BOLT (4)	84 to * G3
9	4733	SCREW	84 to * G3
10	5927	RUBBER WASHER (4)	84 to * G3
11	6240B	WASHER (2)	84 to * G3
12	6403B	SPRING WASHER (2)	84 G3
13	6440B	WASHER (2)	84 G3
14	6568B	WASHER (2)	84 to * G3
15	7036	LOCKWASHER (12)	84 to * G3
16	7041	LOCKWASHER (2)	84 to * G3
17	7068	LOCKWASHER (2)	84 to * G3
18	7229W	LOCKWASHER (5)	84 to * G3
19	7525	NUT (4)	84 to * G3
20	7688	NUT (2)	84 to * G3
21	7727	LOCKNUT (4)	84 to * G3
22	7741	LOCKNUT (2)	84 to * G3
23	7742	LOCKNUT (14)	84 to * G3
24	7775	LOCKNUT (4)	84 to * G3
25	7845	NUT (2)	84 to * G3
26	38713-82	CLAMP, CABLES TO TOWER	84 to * G3
27	41690-47	SPRING WASHER	84 to * G3
28	47017-84	FRAME	84 G3
	47017-85	FRAME	85 to * G3
29	47300-66A	BUMPER PLATE (2)	84 to * G3
30	47459-82	REAR FORK, COMPLETE	84 to * G3
31	47524-66	BUSHING, REAR FORK (2)	84 to * G3
32	50225-73	WARNING LABEL (2)	84 G3
	50225-85	CAUTION LABEL, PROP ROD	85 to * G3
33	50243-67	BODY SUPPORT, LEFT	84 G3
	50244-67	BODY SUPPORT, RIGHT	84 G3
34	50271-65	BODY HINGE (2)	84 to * G3
35	50275-66	BODY CUSHION (2)	84 to * G3
36	50277-67	REINFORCEMENT, BODY SUPPORT (2)	84 G3
37	50356-85	TOWER, CONTROLS	85 G3
38	52083-72	CAUTION DECAL, FRAME	84 to * G3
39	53491-65	REINFORCEMENT (2)	84 to * G3
40	54514-73	SHOCK ABSORBER	84 to * G3
41	54524-73	LOWER BRACKET, SHOCK ABSORBER	84 to * G3
42	54566-73	REAR SPRING (2)	84 to * G3
43	83004-72	RUBBER BUMPER (2)	84 to * G3
44	85210-42A	RUBBER BUSHING (2)	84 to * G3
45	85213-42A	SHOULDER BOLT, SHOCK ABSORBER (2)	84 to * G3

NOTE: "E" indicates Early Models, "L" indicates Late Models,
 "*" indicates latest model year shown on manual cover.



FRAME AND REAR SUSPENSION — G4, U4

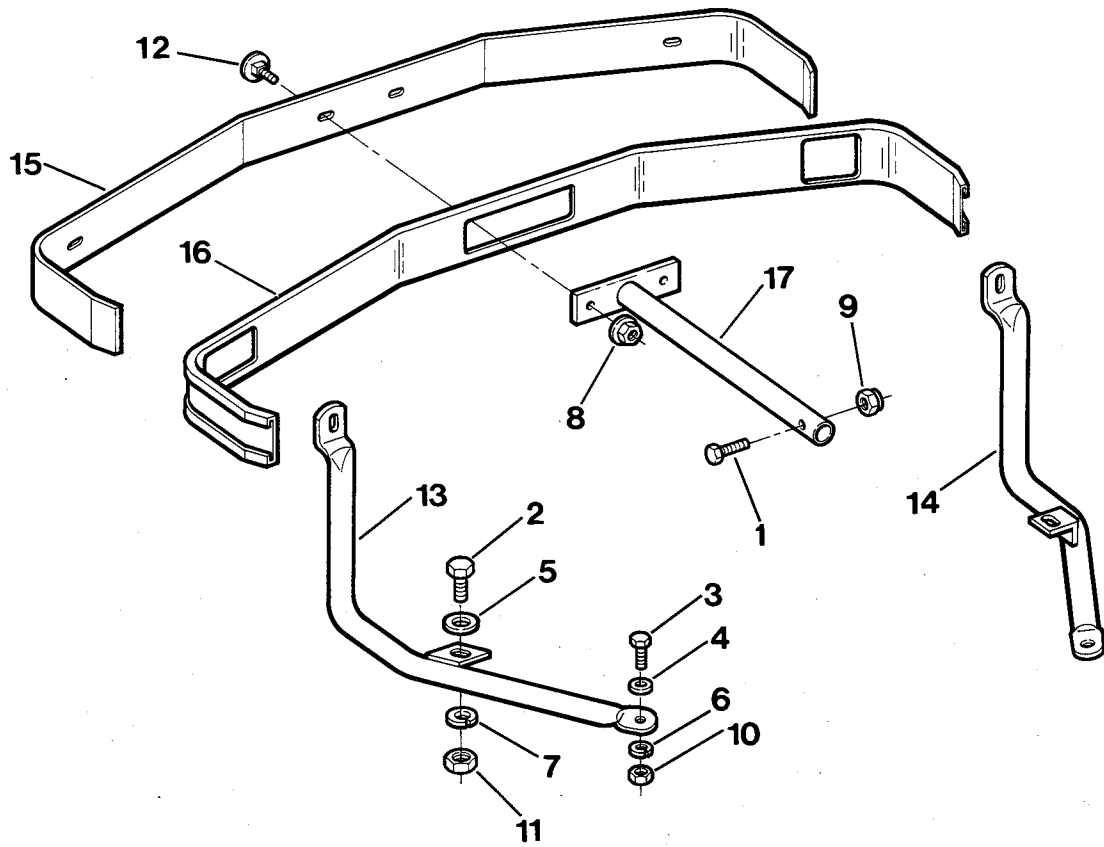
INDEX NO.	PART NO.	NAME	USED ON
1	515	COTTER PIN (2)	84 to * G4, U4
2	1357W	SCREW (4)	84 to * G4, U4
3	3728	BOLT (5)	84 to * G4, U4
4	3787	SCREW (2)	84 to * G4, U4
5	3950	BOLT (2)	84 to * G4, U4
6	4017	BOLT (4)	84 to * G4, U4
7	4391	BOLT (4)	84 to * G4, U4

FRAME AND REAR SUSPENSION — G4, U4

INDEX NO.	PART NO.	NAME	USED ON
8	4434W	BOLT (4)	84 to * G4, U4
9	4733	SCREW	84 to * G4, U4
10	5927	RUBBER WASHER (4)	84 to * G4, U4
11	6240B	WASHER (2)	84 to * G4, U4
12	6403B	SPRING WASHER (2)	84 G4, 84 to * U4
13	6440B	WASHER (2)	84 G4, 84 to * U4
14	6568B	WASHER (2)	84 G4, 84 to * U4
15	7036	LOCKWASHER (12)	84 G4, 84 to * U4
16	7041	LOCKWASHER (2)	84 G4, 84 to * U4
17	7068	LOCKWASHER (2)	84 G4, 84 to * U4
18	7229W	LOCKWASHER (5)	84 G4, 84 to * U4
19	7525	NUT (4)	84 G4, 84 to * U4
20	7688	NUT (2)	84 G4, 84 to * U4
21	7727	LOCKNUT (4)	84 G4, 84 to * U4
22	7741	LOCKNUT (2)	84 G4, 84 to * U4
23	7742	LOCKNUT (14)	84 G4, 84 to * U4
24	7775	LOCKNUT (4)	84 G4, 84 to * U4
25	7845	NUT (2)	84 G4, 84 to * U4
26	8685	RIVET (24)	84 G4, 84 to * U4
27	11445	GROMMET, RUBBER	84 G4, 84 to * U4
28	38713-82	CLAMP, CABLES TO TOWER	84 G4, 84 to * U4
29	41690-47	SPRING WASHER	84 G4, 84 to * U4
30	47300-66A	BUMPER PLATE (2)	84 G4, 84 to * U4
31	47459-82	REAR FORK, COMPLETE	84 G4, 84 to * U4
32	47524-66	BUSHING, REAR FORK (2)	84 G4, 84 to * U4
33	47807-82A	FRAME	84 G4
	47808-83	FRAME ASSEMBLY	84 to * U4
34	50225-73	WARNING LABEL (2)	84 G4, 84 to * U4
	50225-85	CAUTION LABEL, PROP ROD	85 to * G4
35	50243-67	BODY SUPPORT, LEFT	84 G4, 84 to * U4
	50244-67	BODY SUPPORT, RIGHT	84 G4, 84 to * U4
36	50271-65	BODY HINGE (2)	84 G4, 84 to * U4
37	50275-66	BODY CUSHION (2)	84 to * G4,U4
38	50277-67	REINFORCEMENT, BODY SUPPORT (2)	84 G4
39	50357-83	TOWER, CONTROLS	84 to * G4
40	50578-75	FLOORBOARD (2)	84 to * G4,U4
41	50700-83	FLOOR TUNNEL	84 to * G4,U4
42	50702-75B	FLOORMAT (2)	84 to * G4,U4
43	52083-72	CAUTION DECAL, FRAME	84 to * G4,U4
44	53491-65	REINFORCEMENT (2)	84 G4
45	54514-73	SHOCK ABSORBER	84 to * G4,U4
46	54524-73	LOWER BRACKET, SHOCK ABSORBER	84 to & G4,U4
47	54564-73	REAR SPRING	84 to * U4
	54566-73	REAR SPRING (2)	84 to * G4
48	83004-72	RUBBER BUMPER (2)	84 to * G4
49	85210-42A	RUBBER BUSHING (2)	84 G4, 84 to * U4
50	85213-42A	SHOULDER BOLT, SHOCK ABSORBER (2)	84 G4, 84 to * U4

NOTE: "E" indicates Early Models, "L" indicates Late Models,
 "*" indicates latest model year shown on manual cover.

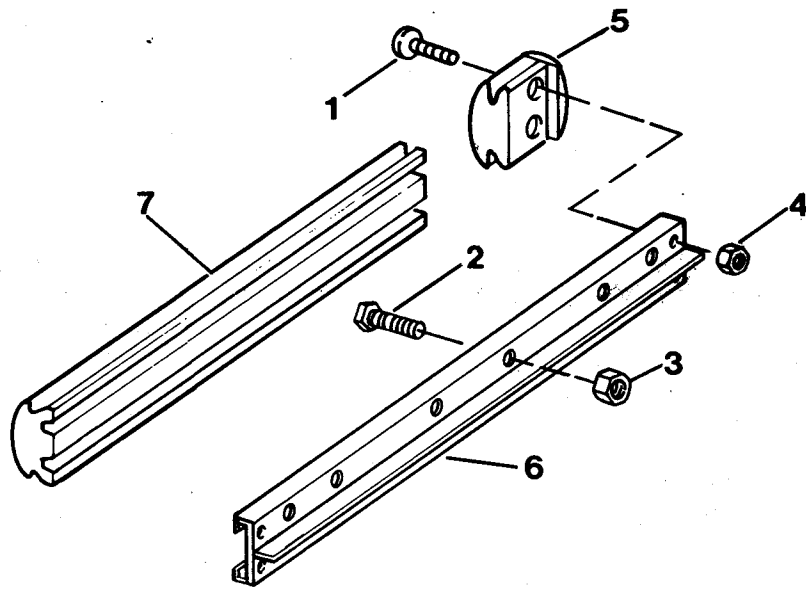
FRONT BUMPER — G3



FRONT BUMPER — G3

INDEX NO.	PART NO.	NAME	USED ON
1	2818	BOLT	85 to * G3
2	3570	BOLT (2)	85 to * G3
3	4337W	BOLT (2)	84 to * G3
4	6701	WASHER (2)	84 to * G3
5	6718	WASHER (2)	85 to * G3
6	7038	LOCKWASHER (2)	84 to * G3
7	7068	LOCKWASHER (2)	85 to * G3
8	7525	NUT (4)	85 to * G3
9	7739	NUT	85 to * G3
10	7800W	NUT (2)	84 to * G3
11	7880	NUT (2)	85 to * G3
12	44916-84	STEP BOLT (4)	85 to * G3
13	91071-84	BUMPER SUPPORT, LEFT	84 G3
	91071-85	BUMPER SUPPORT, LEFT	85 to * G3
14	91072-84	BUMPER SUPPORT, RIGHT	84 G3
	91072-85	BUMPER SUPPORT, RIGHT	85 to * G3
15	91073-84	BUMPER, BLUE	85 to * G3
16	91074-84	RUBBER COVER	85 to * G3
17	91083-84	CENTER SUPPORT, FRONT BUMPER	85 to * G3

NOTE: "E" indicates Early Models, "L" indicates Late Models,
 "*" indicates latest model year shown on manual cover.



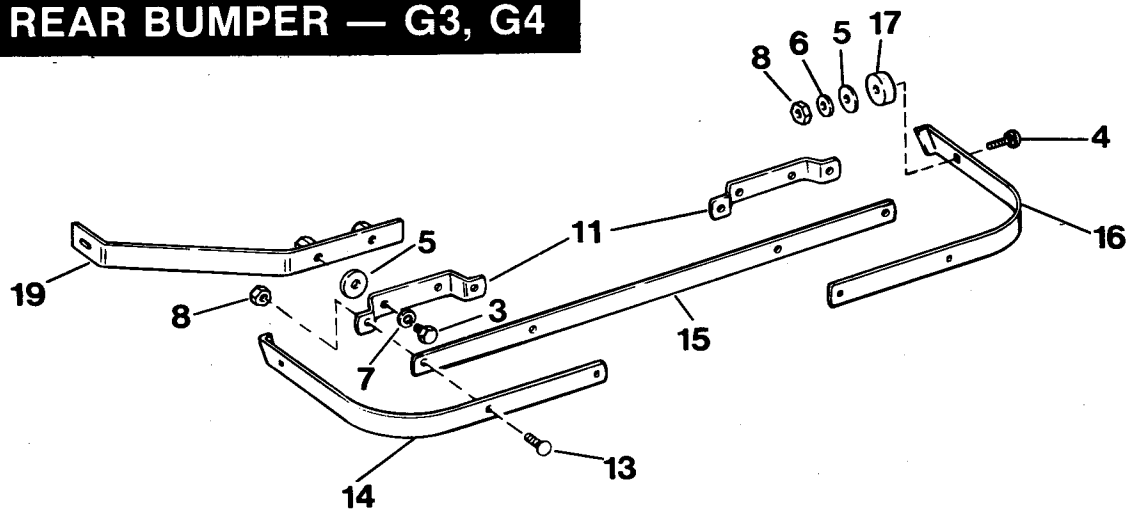
FRONT BUMPER — G4, U4

FRONT BUMPER — G4, U4

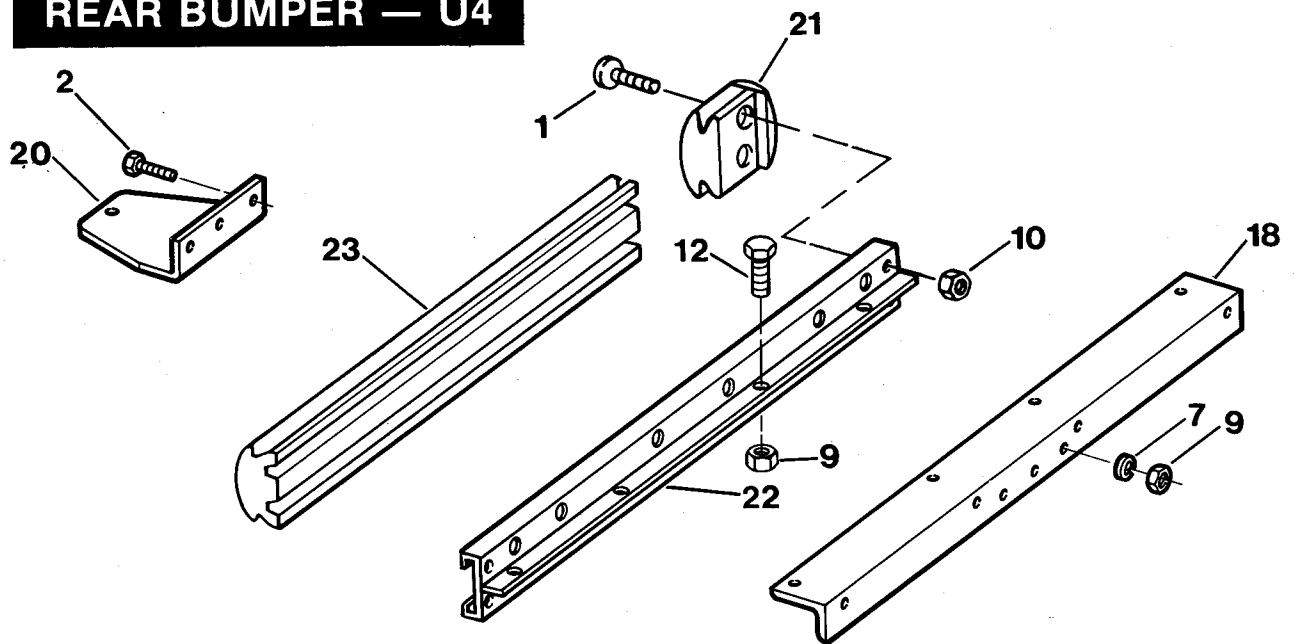
INDEX NO.	PART NO.	NAME	USED ON
1	2004	SCREW (4)	84 to * G4, U4
2	3419	BOLT (4)	84 to * G4, U4
3	7710W	LOCKNUT (4)	84 to * G4, U4
4	7778	LOCKNUT (4)	84 to * G4, U4
5	91035-78	END CAP, BUMPER CHANNEL (2)	84 to * G4, U4
6	91115-81	CHANNEL, FRONT BUMPER	84 to * G4, U4
7	91116-75	RUBBER INSERT, FRONT BUMPER CHANNEL	84 to * G4, U4

NOTE: "E" indicates Early Models, "L" indicates Late Models,
 "*" indicates latest model year shown on manual cover.

REAR BUMPER — G3, G4



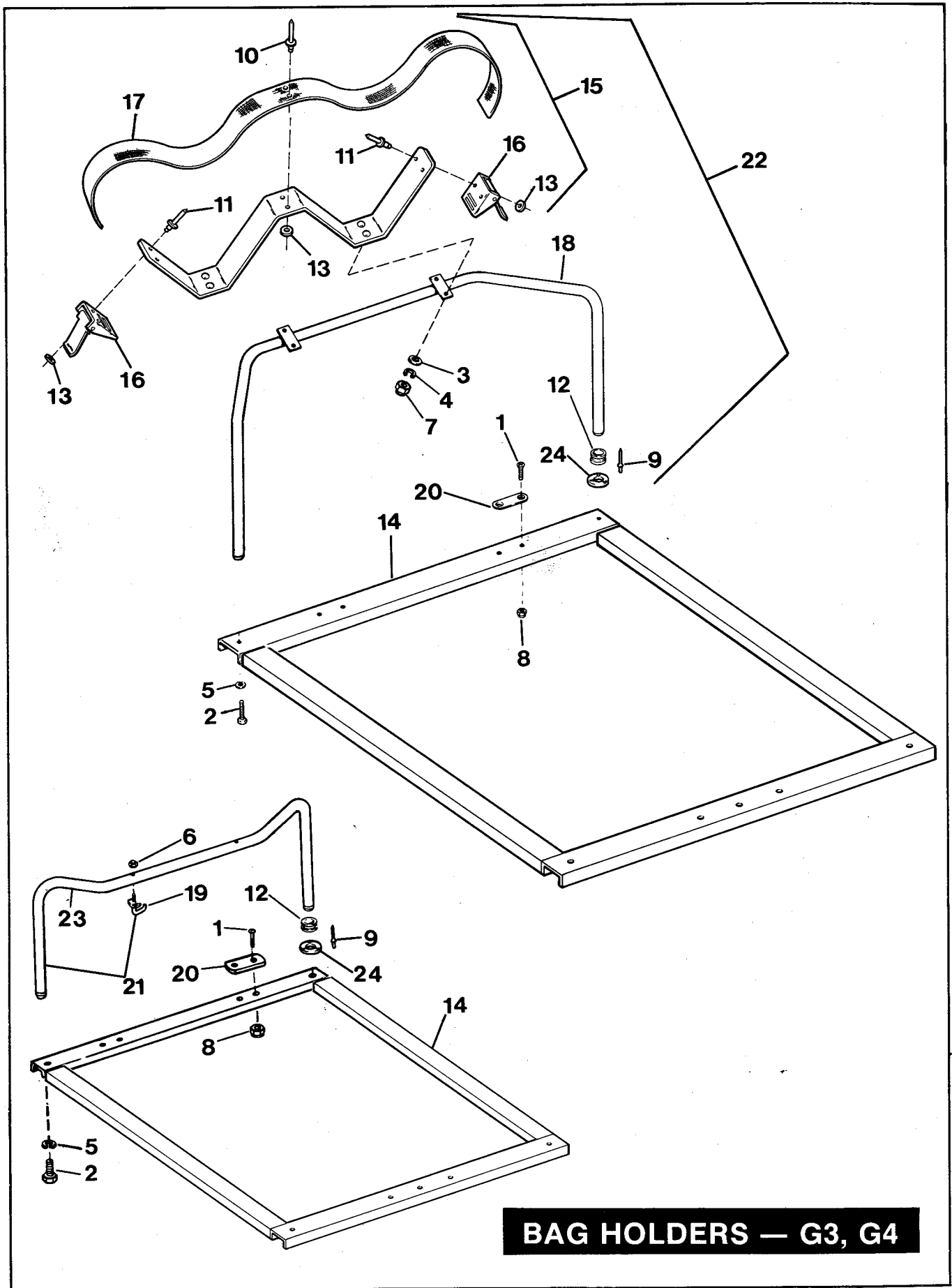
REAR BUMPER — U4



REAR BUMPER

INDEX NO.	PART NO.	NAME	USED ON
1	2004	SCREW (4)	84 to * U4
2	3991	BOLT (3)	84 to * U4
3	4017	BOLT (4)	84 to * G3, G4
4	5449	STEP BOLT (2)	84 to * G3, G4
5	5927	RUBBER WASHER (6)	84 to * G3, G4
6	6702	WASHER (2)	84 to * G3, G4
7	7041	LOCKWASHER (4-G3, G4) (3-U4)	84 to * G3, G4, U4
8	7740	LOCKNUT (6)	84 to * G3, G4
9	7748W	NUT (3)	84 to * U4
10	7778	LOCKNUT	84 to * U4
11	44911-63	BRACKET, REAR BUMPER (2)	84 to * G3, G4
12	44912-63A	CARRIAGE BOLT (4)	84 to * G3, G4
13	44912-85	STEP BOLT (4)	84 to * G3, G4
14	44913-63B	BUMPER, LEFT (REAR)	84 to * G3, G4
15	44914-63A	BUMPER, CENTER (REAR)	84 to * G3, G4
16	44915-63B	BUMPER, RIGHT (REAR)	84 to * G3, G4
17	44917-63	SPACER, REAR BUMPER MOUNTING (AT SIDES) (2)	84 to * G3, G4
18	44991-83	BRACKET, REAR BUMPER	84 to * U4
19	50347-80	BRACKET, BODY REINFORCEMENT (2)	84 to * G3, G4
20	82002-83	HITCH PLATE	84 to * U4
21	91035-78	END CAP, REAR BUMPER	84 to * U4
22	91115-81	CHANNEL, REAR BUMPER	84 to * U4
23	91116-75	RUBBER INSERT, REAR BUMPER	84 to * U4

NOTE: "E" indicates Early Models, "L" indicates Late Models,
 "*" indicates latest model year shown on manual cover.



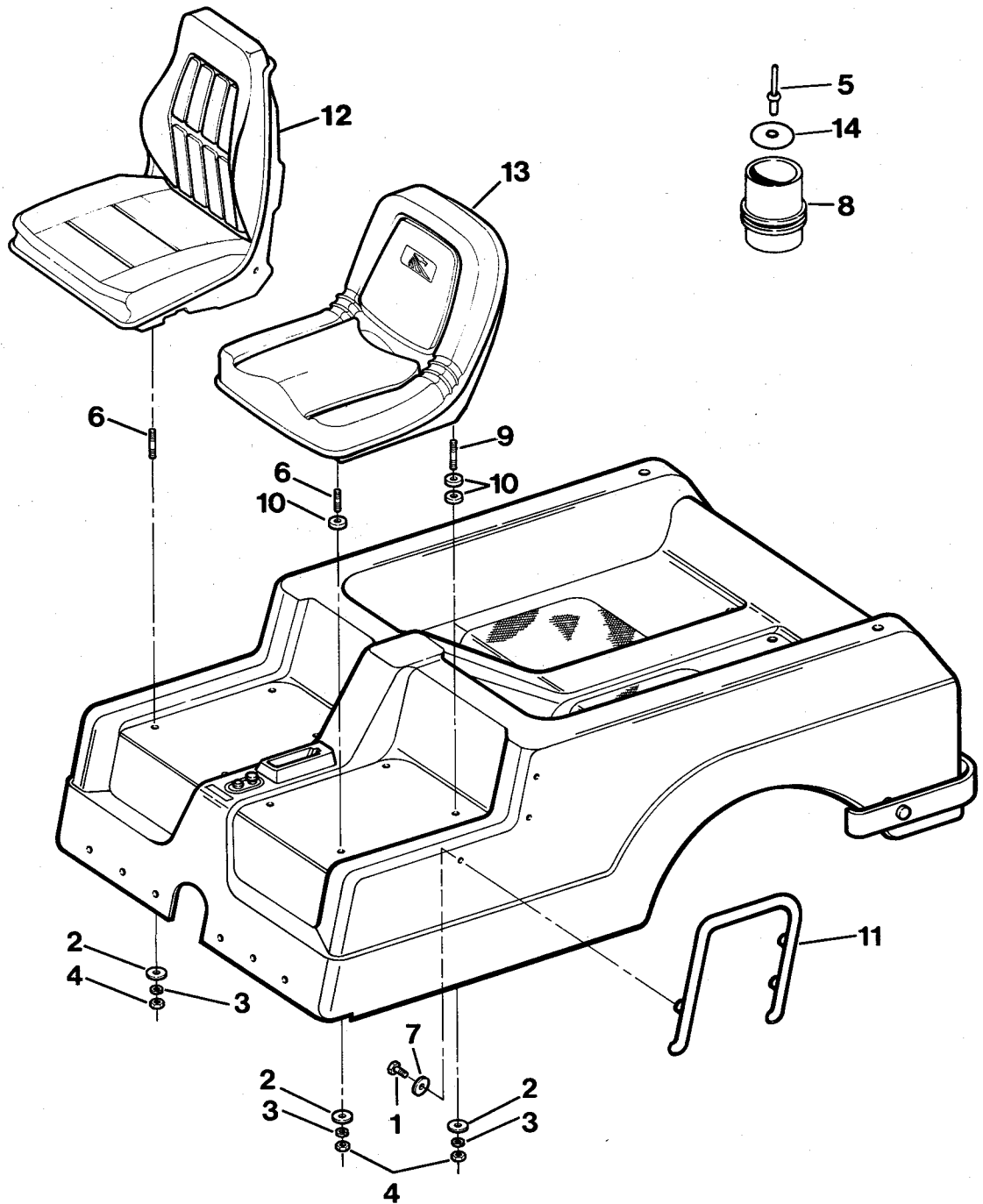
BAG HOLDERS — G3, G4

BAG HOLDERS — G3, G4

INDEX NO.	PART NO.	NAME	USED ON
1	1357W	SCREW (4)	84 to * G3, G4
2	3974HW	BOLT (2)	84 to * G3, G4
3	6228W	WASHER (4)	84 to * G3, G4
4	7036	LOCKWASHER (4)	84 to * G3, G4
5	7041	LOCKWASHER	84 to * G3, G4
6	7736	ACORN NUT (2) (HOOK)	84 to * G3, G4
7	7737W	ACORN NUT (4) (CRADLE)	84 to * G3, G4
8	7742	LOCKNUT (4)	84 to * G3, G4
9	8321	BLIND RIVET (6)	84 to * G3, G4
10	8480	BLIND RIVET	84 to * G3, G4
11	8641B	BLIND RIVET	84 to * G3, G4
12	11417	GROMMET (2)	84 to * G3, G4
13	50311-83	WASHER	84 to * G3, G4
14	50332-84A	BODY REINFORCEMENT	84 to * G3, G4
15	53469-84	CRADLE ASSEMBLY	84 to * G3, G4
16	53472-84	BUCKLE (2)	84 to * G3, G4
17	53473-84	STRAP	84 to * G3, G4
18	53481-84	HOLDER ASSEMBLY (V-LOCK)	84 to * G3, G4
19	53487-65	HOOK (2)	84 to * G3, G4
20	53491-65	REINFORCEMENT (2)	84 to * G3, G4
21	53492-84	BAG HOLDER ASSEMBLY COMPLETE (HOOK)	84 to * G3, G4
22	53493-84	BAG HOLDER ASSEMBLY COMPLETE (V-LOCK) ...	84 to * G3, G4
23	53499-84	HOLDER ASSEMBLY (HOOK), LESS HOOKS	84 to * G3, G4
24	53547-82	REINFORCEMENT RING	84 to * G3, G4

NOTE: "E" indicates Early Models, "L" indicates Late Models,
 "*" indicates latest model year shown on manual cover.

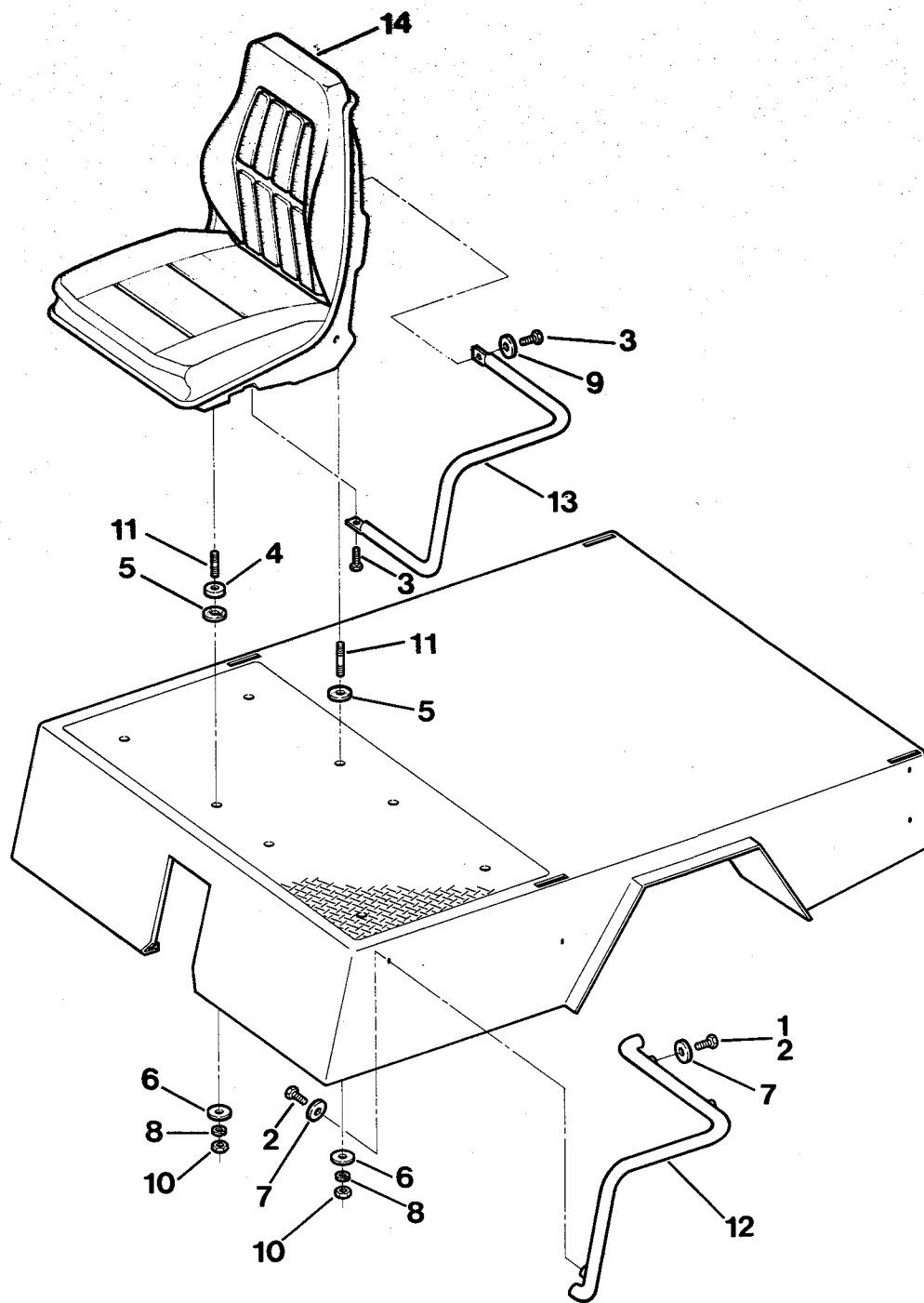
SEAT, HANDRAIL, AND BEVERAGE HOLDER — G3, G4



SEAT, HANDRAIL, AND BEVERAGE HOLDER — G3, G4

INDEX NO.	PART NO.	NAME	USED ON
1	4017	BOLT (6)	84 to * G3, G4
2	6332B	WASHER (8)	84 to * G3, G4
3	7041	LOCKWASHER (14)	84 to * G3, G4
4	7753	NUT (8)	84 to * G3, G4
5	8481	RIVET (2)	84 to * G3, G4
6	24818-52	STUD (4)	84 to * G3, G4
7	31067-63	WASHER (6)	84 to * G3, G4
8	31422-72A	BEVERAGE HOLDER (2)	84 to * G3, G4
9	52107-72	STUD (4)	84 to * G3, G4
10	52329-85	SPACER (12)	84 to * G3, G4
11	52630-84	HANDRAIL, RIGHT	84 to * G3, G4
	52631-84	HANDRAIL, LEFT	84 to * G3, G4
12	52900-83	SEAT, WHITE	84 G3, G4
13	52950-85	SEAT, WHITE	85 to * G3, G4
14	82709-81	WASHER (2)	84 to * G3, G4

NOTE: "E" indicates Early Models, "L" indicates Late Models,
 "*" indicates latest model year shown on manual cover.

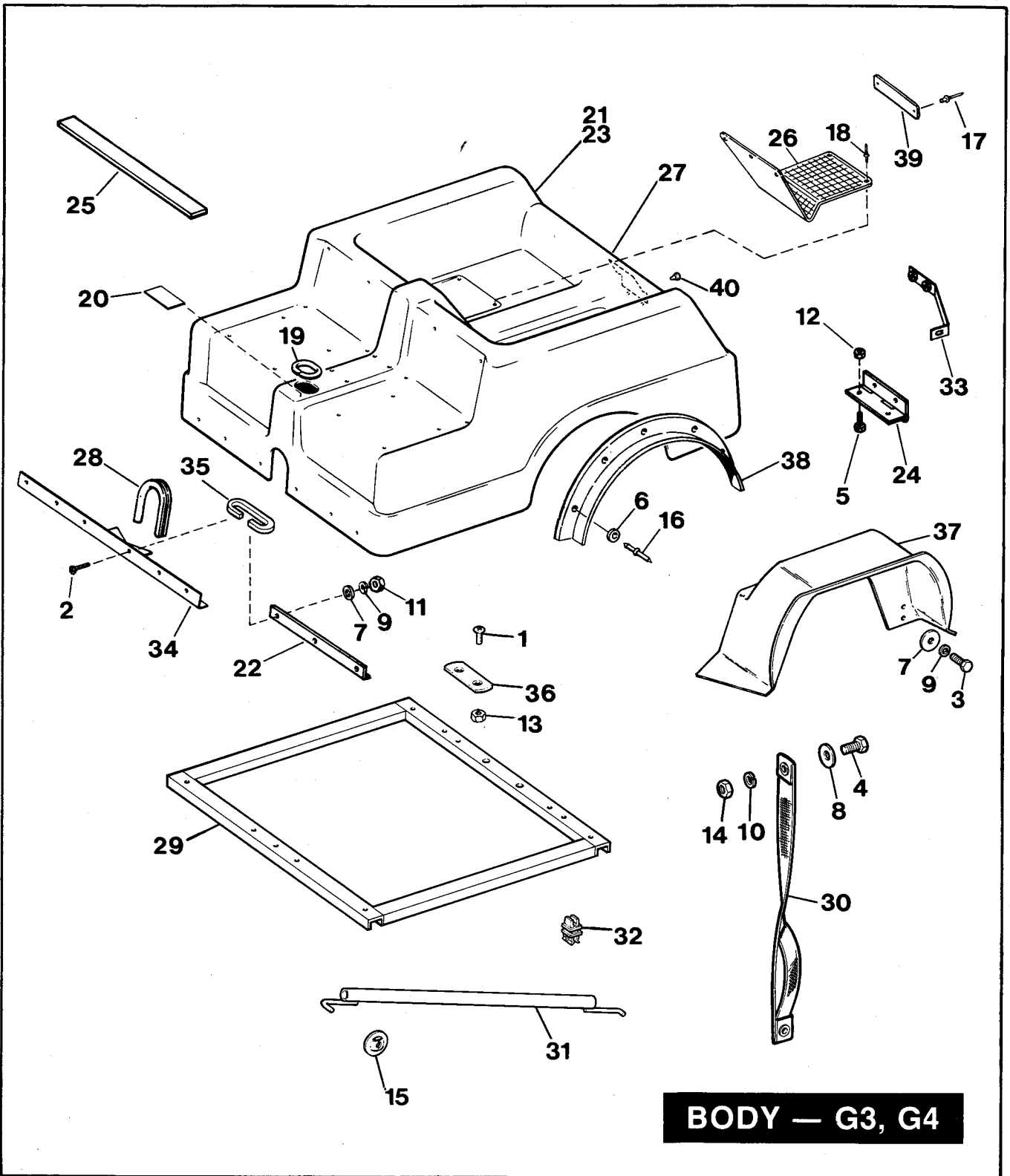


SEAT AND HANDRAIL — U4

SEAT AND HANDRAIL — U4

INDEX NO.	PART NO.	NAME	USED ON
1	2871W	BOLT, WOOD SIDES (4)	84 to * U4
2	3987	BOLT, STEEL SIDES (6)	84 to * U4
3	3991	BOLT (4)	84 to * U4
4	5927	RUBBER WASHER (8)	84 to * U4
5	6266	RUBBER WASHER (8)	84 to * U4
6	6332B	WASHER (8)	84 to * U4
7	6702	WASHER (4)	84 to * U4
8	7041	LOCKWASHER (8)	84 to * U4
9	7127	LOCKWASHER, INTERNAL TOOTH (4)	84 to * U4
10	7753	NUT (8)	84 to * U4
11	24818-52	STUD (8)	84 to * U4
12	52630-83	HANDRAIL, RIGHT (BOX MOUNTED)	84 to * U4
	52631-83	HANDRAIL, LEFT (BOX MOUNTED)	84 to * U4
13	52632-84	HANDRAIL, RIGHT (SEAT MOUNTED)	84 to * U4
	52633-84	HANDRAIL, LEFT (SEAT MOUNTED)	84 to * U4
14	52910-83A	SEAT, BROWN	84 to * U4

NOTE: "E" indicates Early Models, "L" indicates Late Models,
 "*" indicates latest model year shown on manual cover.



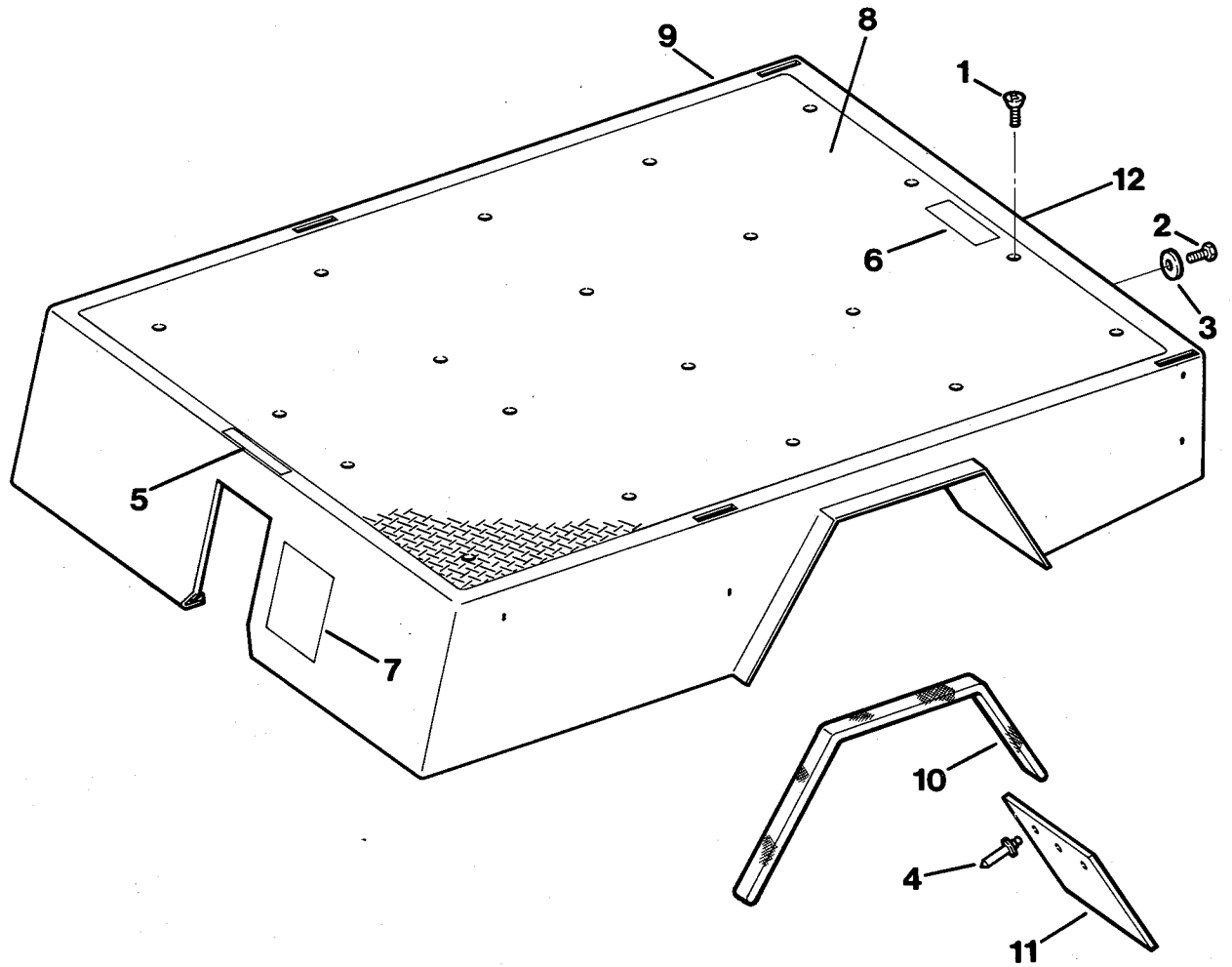
BODY — G3, G4

BODY — G3, G4

INDEX NO.	PART NO.	NAME	USED ON
1	1357W	SCREW 1/4-20x7/8 (4)	84 to * G3, G4
2	2420	SCREW (6)	84 to * G3, G4
3	3787	SCREW 1/4-20x3/4 HEX. HD. (6)	84 to * G3, G4
4	3974HW	SCREW 5/16-24x3/4 HEX. HD.	85 to * G3, G4
5	4391	BOLT (4)	84 to * G3, G4
6	6182W	WASHER (12)	84 to * G3, G4
7	6257W	WASHER (6)	84 to * G3, G4
8	6332B	WASHER .312x.938x.058	85 to * G3, G4
9	7036	LOCKWASHER (6)	84 to * G3, G4
10	7041	LOCKWASHER 5/16	85 to * G3, G4
11	7688	NUT (6)	84 to * G3, G4
12	7727	LOCKNUT (4)	84 to * G3, G4
13	7742	LOCKNUT 1/4-20 (4)	84 to * G3, G4
14	7753	NUT 5/16-18 HEX.	85 to * G3, G4
15	8139	PUSH NUT	84 to * G3, G4
16	8641B	POP RIVET (12)	84 to * G3, G4
17	8683	POP RIVET (2)	84 to * G3, G4
18	8692	POP RIVET (10)	84 to * G3, G4
19	29278-82	MOULDING, CONTROL TOWER CUTOUT	84 to * G3, G4
20	33799-82	DECAL, KEYSWITCH	84 to * G4, 85 G3
21	50200-82	BODY ASSEMBLY	84 to * G4
22	50241-67	BODY SUPPORT (2)	84 to * G4
23	50250-67	BODY ASSEMBLY (UNIVERSAL)	84 to * G3
24	50271-65	BODY HINGE (2)	84 to * G3, G4
25	50275-66	PAD, REINFORCEMENT STRAP (2)	84 to * G3, G4
26	50278-67A	MAT, BAG WELL, RIGHT	84 to * G3, G4
	50278-67B	MAT, BAG WELL, RIGHT, SELF ADHESIVE	84 to * G3, G4
	50279-67A	MAT, BAG WELL, LEFT	84 to * G3, G4
	50279-67B	MAT, BAG WELL, LEFT, SELF ADHESIVE	84 to * G3, G4
27	50280-63A	GOLF CAR CANVAS COVER (FOR CARS WITH TILLER)	84 to * G3
	50281-67	GOLF CAR CANVAS COVER (FOR CARS WITH STEERING WHEEL)	84 to * G3
	50287-72	GOLF CAR CANVAS COVER	84 to * G4
28	50301-82	BODY TRIM	84 to * G3, G4
29	50332-84A	REINFORCEMENT, BODY (2)	84 to * G3, G4
30	50334-85	STRAP, BODY LIMIT	85 to * G3, G4
31	50336-85	PROP ROD ASSEMBLY	85 to * G3, G4
32	50337-85	CLIP, PROP ROD	85 to * G3, G4
33	50347-80	BRACKET, BODY REINFORCEMENT (2)	85 to * G3, G4
34	50352-82	BODY REINFORCEMENT, FRONT	84 to * G3
35	50359-82	GASKET PAD, TOWER	85 to * G3, G4
36	53491-65	PLATE (2)	84 to * G3, G4
37	59598-84	INNER FENDER (2)	85 to * G3, G4
38	59607-64A	REAR SPLASH GUARD KIT	85 to * G3, G4
39	61261-84	NAMEPLATE, REAR "CLASSIC"	85 to * G3, G4
	61263-84	NAMEPLATE, REAR	85 to * G3, G4
40	61564-82	RUBBER BUMPER, FUEL TANK DOOR	85 to * G3, G4

NOTE: "E" indicates Early Models, "L" indicates Late Models,
 "*" indicates latest model year shown on manual cover.

BODY — U4

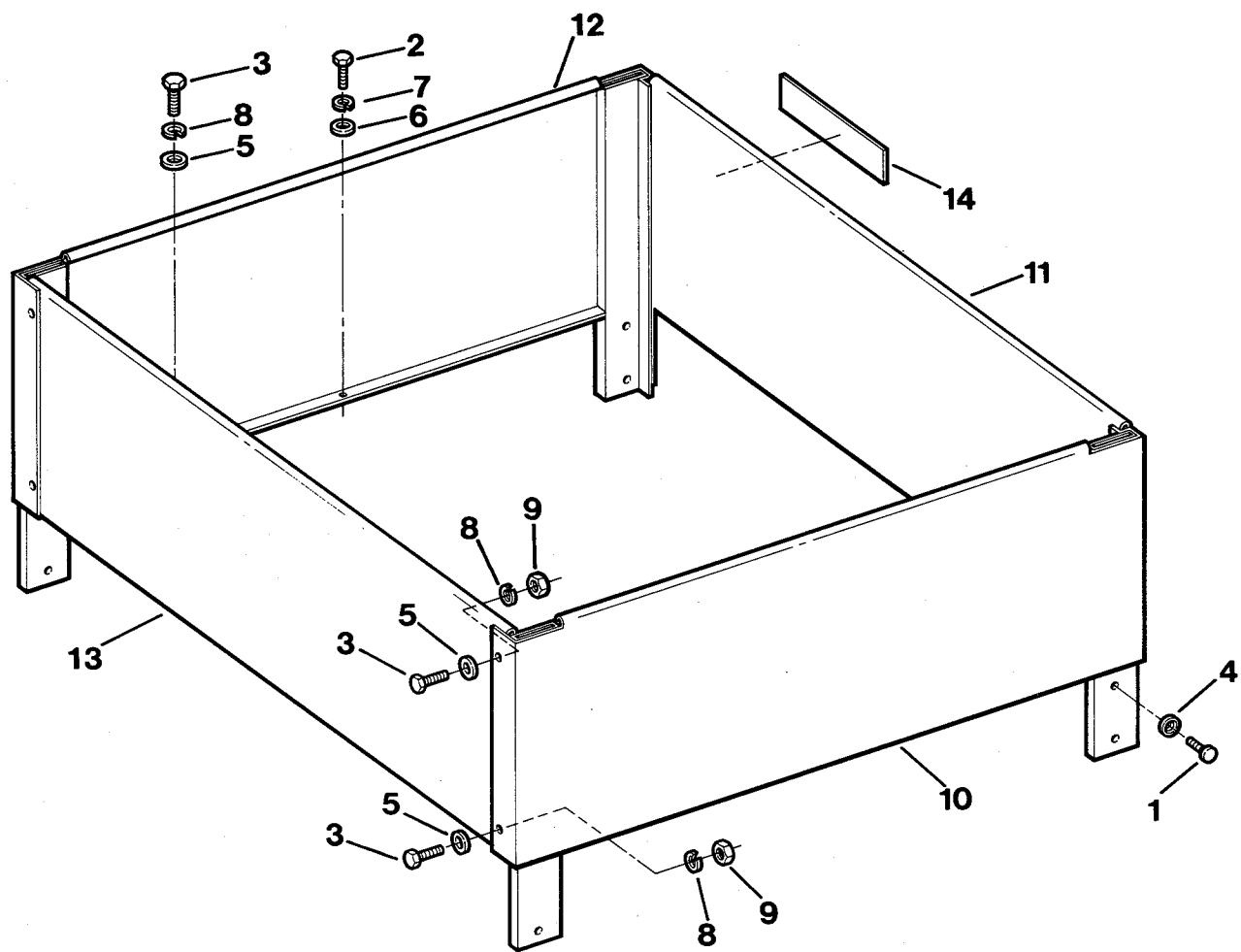


BODY — U4

INDEX NO.	PART NO.	NAME	USED ON
1	2626	SCREW 10-24x1/2 SELF TAP (16)	84 to * U4
2	3987	BOLT 5/16-18x3/4 HEX. HD. (4)	84 to * U4
3	6702	WASHER 5/16x11/16x1/16 (4)	84 to * U4
4	8480	RIVET (6)	84 to * U4
5	33796-83	DECAL, SWITCH	84 to * U4
6	33797-83	DECAL, MAXIMUM CAPACITY	84 to * U4
7	46943-83	DECAL, WARNING	84 to * U4
8	50242-83	PLATE, DECK	84 to * U4
9	50246-83	FLAT BED BODY WITH HINGE	84 to * U4
10	50303-66A	TRIM, FENDER (2)	84 to * U4
11	59245-83	FLAP, MUD (2)	84 to * U4
12	60976-83	DOOR, GAS FILLER	84 to * U4

NOTE: "E" indicates Early Models, "L" indicates Late Models,
 "*" indicates latest model year shown on manual cover.

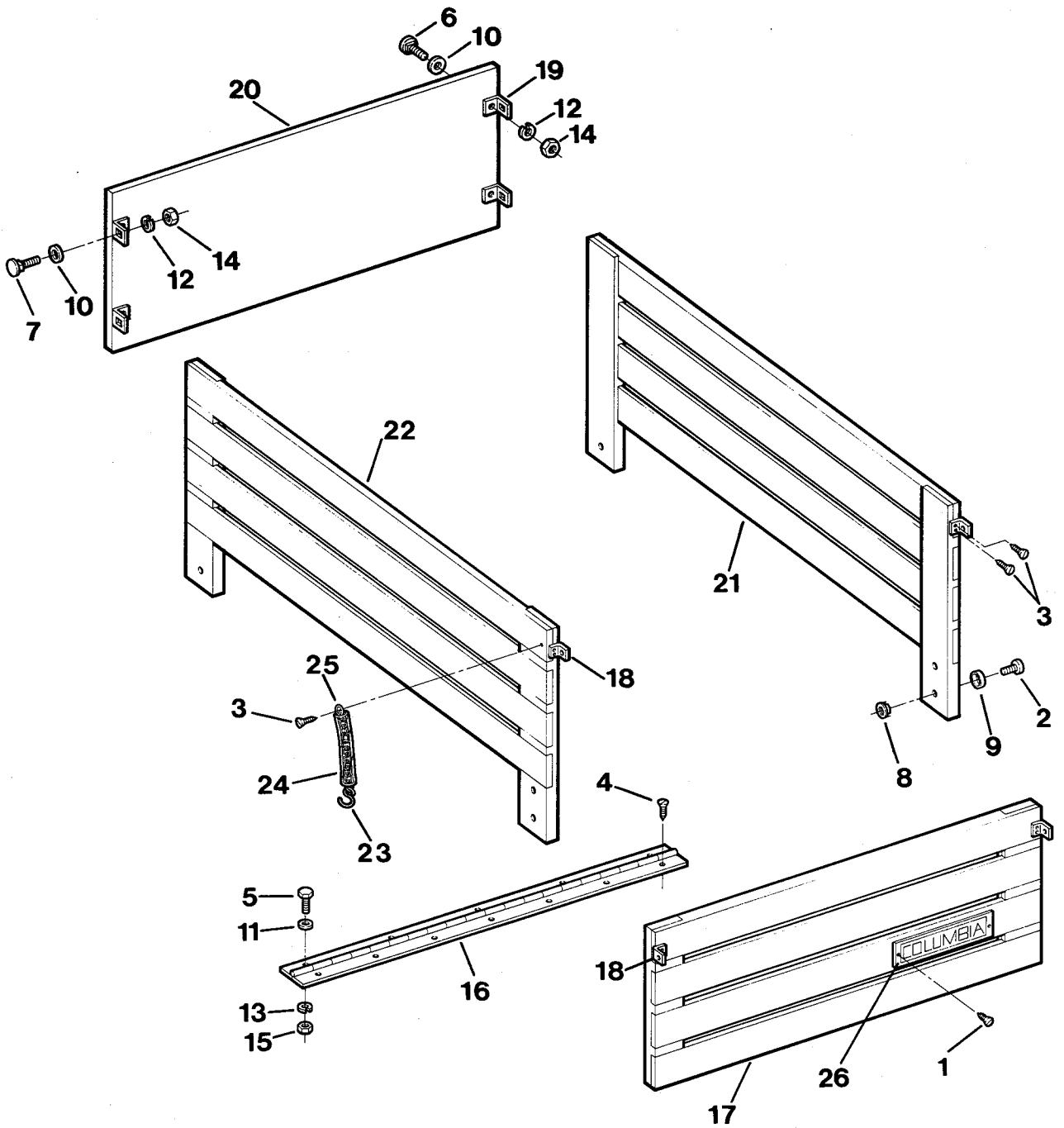
METAL CARGO BOX — U4



METAL CARGO BOX — U4

INDEX NO.	PART NO.	NAME	USED ON
1	2361	SCREW, 5/16-18 (6)	84 to * U4
2	3787-W	BOLT, 1/4-20x3/4 (2)	84 to * U4
3	3987	BOLT 5/16-18x3/4 HEX. HD. (13)	84 to * U4
4	6250	FINISH WASHER (6)	84 to * U4
5	6702	WASHER (13)	84 to * U4
6	6703	WASHER 1/4 (2)	84 to * U4
7	7036	LOCKWASHER 1/4 (2)	84 to * U4
8	7041	LOCKWASHER 5/16 (13)	84 to * U4
9	7748	NUT 5/16-18 (13).....	84 to * U4
10	50264-83	PANEL, L. H.	84 to * U4
11	50267-83	TAILGATE	84 to * U4
12	50268-83	PANEL. R. H.	84 to * U4
13	50274-83	PANEL, FRONT	84 to * U4
14	61259-84	NAMEPLATE "COLUMBIA"	84 to * U4

NOTE: "E" indicates Early Models, "L" indicates Late Models,
 "*" indicates latest model year shown on manual cover.

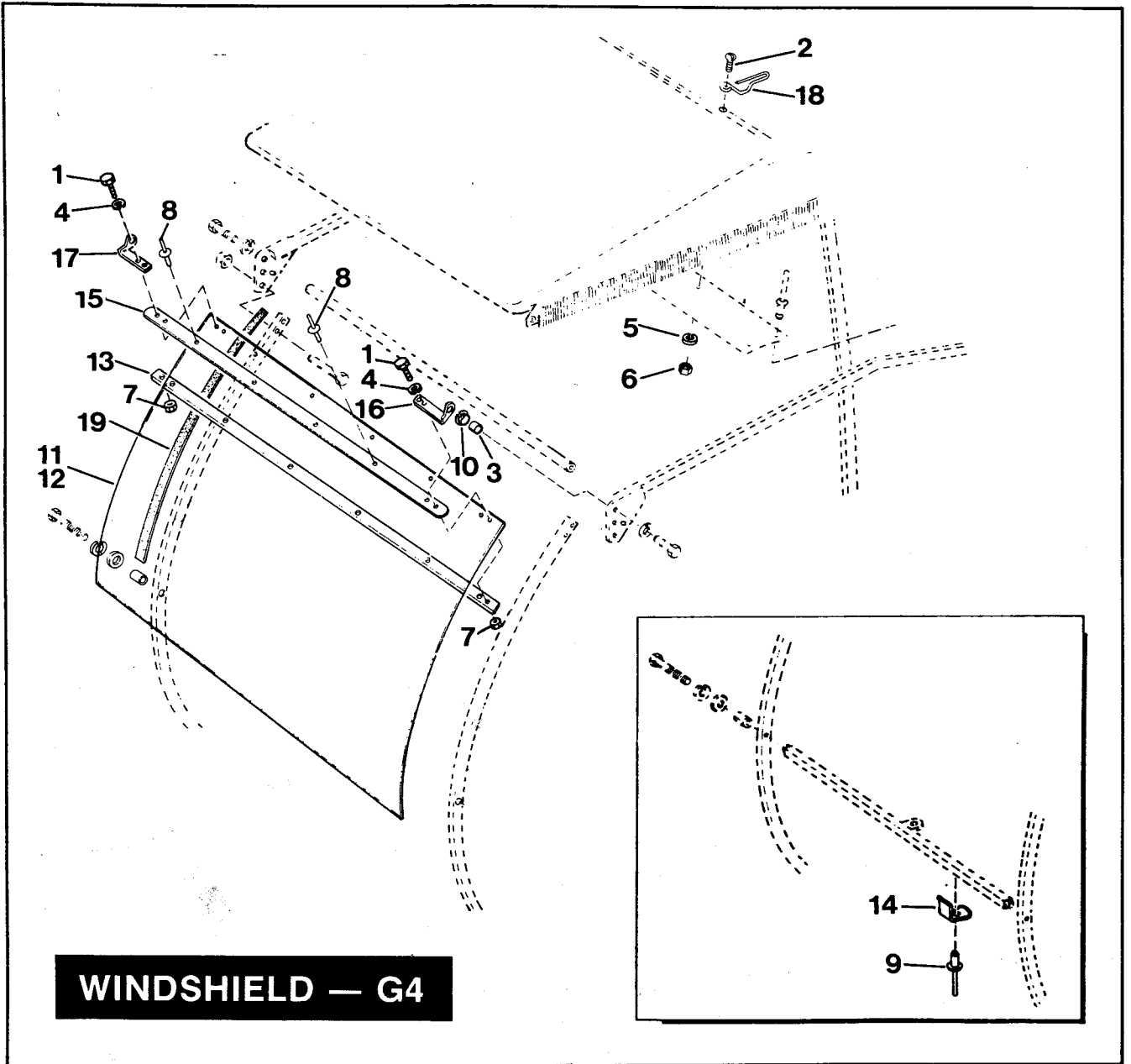


WOOD CARGO BOX — U4

WOOD CARGO BOX — U4

INDEX NO.	PART NO.	NAME	USED ON
1	2355	WOOD SCREW, RD. HD. #4 (2)	84 to * U4
2	2362	SCREW, OVAL HD. (6)	84 to * U4
3	2615	WOOD SCREW, RD. HD. #8x.88 (8)	84 to * U4
4	2617	WOOD SCREW, FLAT HD. #8x3/4 (7)	84 to * U4
5	3987	BOLT (5)	84 to * U4
6	5402	CARRIAGE BOLT, .250-20x1.25 (4)	84 to * U4
7	5404	CARRIAGE BOLT, .250-20x1.50 (4)	84 to * U4
8	5487	THREADED INSERT (6)	84 to * U4
9	6250	FINISH WASHER (6)	84 to * U4
10	6702	WASHER (8)	84 to * U4
11	6703	WASHER (5)	84 to * U4
12	7036	LOCKWASHER (8)	84 to * U4
13	7041	LOCKWASHER (5)	84 to * U4
14	7688	NUT (8)	84 to * U4
15	7748	NUT (5)	84 to * U4
16	50250-83	HINGE, TAILGATE	84 to * U4
17	50261-83	TAILGATE	84 to * U4
18	50292-83	BRACKET, LATCH	84 to * U4
19	50293-83	BRACKET, CARGO BOX (4)	84 to * U4
20	50294-83	PANEL, FRONT	84 to * U4
21	50295-83	PANEL, R. H.	84 to * U4
22	50296-83	PANEL, L. H.	84 to * U4
23	50297-83	"S" HOOK (2)	84 to * U4
24	50298-83	TUBING (2)	84 to * U4
25	50299-83	CHAIN (2)	84 to * U4
26	61253-83	NAMEPLATE, "COLUMBIA"	84 to * U4

NOTE: "E" indicates Early Models, "L" indicates Late Models,
 "*" indicates latest model year shown on manual cover.

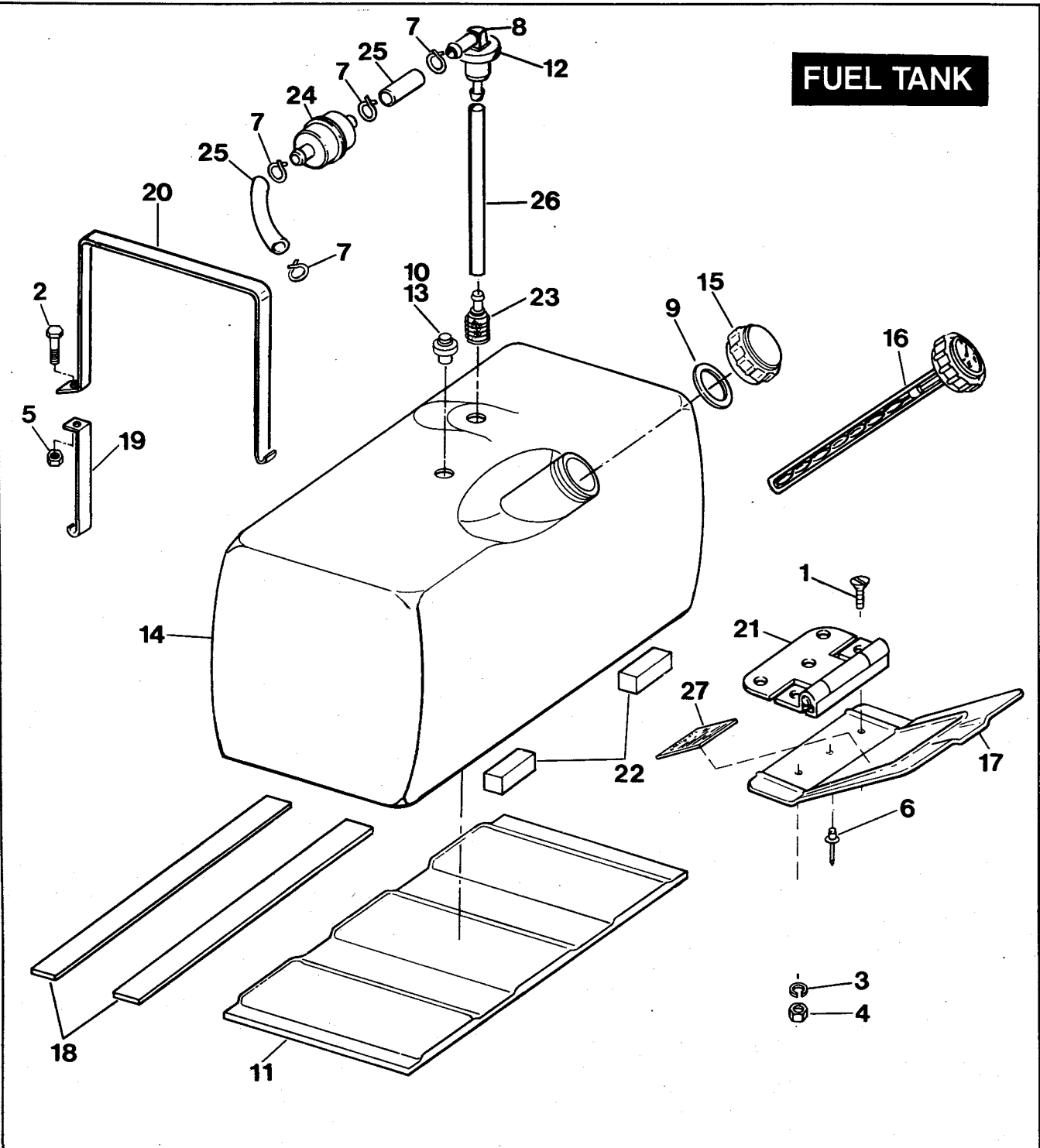


WINDSHIELD — G4

INDEX NO.	PART NO.	NAME	USED ON
1	2339	BOLT, NO.10-24x3/4 HEX. (4)	84 to * G4
2	2612	SCREW, NO. 8-32x1/2 POZIDRIV PAN HD. (2)	84 to * G4
3	5965B	SPACER, PIVOT BUSHING (2)	84 to * G4
4	6716	WASHER NO. 10x1/2x3/64 (4)	84 to * G4
5	7015	LOCKWASHER, NO. 8 (2).....	84 to * G4
6	7608	NUT, NO. 8-32x1/8x5/16 HEX. (2)	84 to * G4
7	7624	LOCKNUT, NO. 10-24x1/4x3/8 (4)	84 to * G4
8	8212	POP RIVET (4)	84 to * G4
9	8528W	POP RIVET, RETAINER (3)	84 to * G4
10	40522-63	PIVOT BUSHING, WINDSHIELD (2)	84 to * G4
11	58013-82	WINDSHIELD ASSEMBLY	84 to * G4
12	58023-82	WINDSHIELD ONLY	84 to * G4
13	58034-74	REINFORCEMENT	84 to * G4
14	58044-74	RETAINER (3)	84 to * G4
15	58054-74	STRIP, FRONT	84 to * G4
16	58059-74	BRACKET, UPPER LEFT	84 to * G4
17	58060-74	BRACKET, UPPER RIGHT	84 to * G4
18	58105-74	CLIP, WINDSHIELD STORAGE (2)	84 to * G4
19	58108-74	TAPE, WINDSHIELD (2)	84 to * G4

NOTE: "E" indicates Early Models, "L" indicates Late Models,
 "*" indicates latest model year shown on manual cover.

FUEL TANK

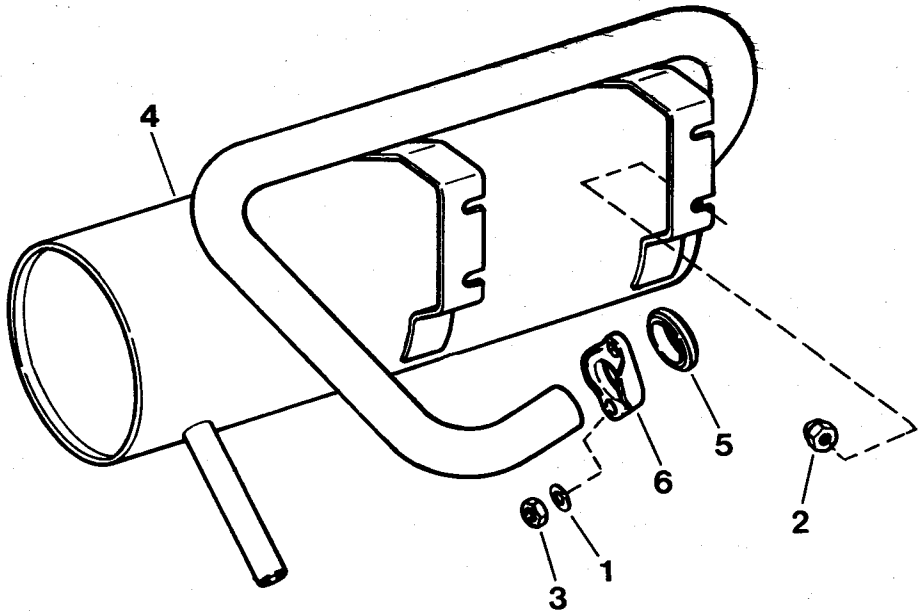


FUEL TANK

INDEX NO.	PART NO.	NAME	USED ON
1	1608	SCREW (2)	84 to * G3, G4, U4
2	2667	BOLT (2)	84 to * G3, G4, U4
3	7112	WASHER (2)	84 to * G3, G4, U4
4	7590	NUT (2)	84 to * G3, G4, U4
5	7740	LOCKNUT (2)	84 to * G3, G4, U4
6	8687	POP RIVET, FUEL TANK FILLER DOOR (2)	84 to * G3, G4, U4
7	9993	CLAMP, FUEL HOSE-1/2 (4)	84 to * G3, G4, U4
8	61094-75	HOSE FITTING, FUEL TANK	84 to * G3, G4, U4
9	61117-71A	GASKET, FILLER CAP	84 to * G3, G4, U4
10	61247-75	VENT FITTING, FUEL TANK	84 to * G3, G4, U4
11	61248-75	BASE PLATE, FUEL TANK	84 to * G3, G4, U4
12	61249-75	BUSHING, RUBBER	84 to * G3, G4, U4
13	61250-84	VENT FITTING	84 to * G3, G4, U4
14	61251-75	FUEL TANK, ONLY	84 to * G3, G4, U4
15	61252-80	CAP, FUEL TANK	84 to * G3, G4, U4
16	61252-83	CAP, FUEL TANK-WITH FUEL GAGE	84 to * G3, G4, U4
17	61301-84	DOOR, FUEL TANK FILLER	84 G3, G4
	61301-85	DOOR, TANK	85 to * G3, G4
18	61308-75	VINYL PAD, FUEL TANK STRAP (2)	84 to * G3, G4, U4
19	61309-75	STRAP, FUEL TANK-LOWER (2)	84 to * G3, G4, U4
20	61310-75	STRAP, FUEL TANK-UPPER (2)	84 to * G3, G4
	61311-83	STRAP, FUEL TANK	84 to * U4
21	61810-81A	HINGE, FUEL TANK DOOR	84 to * G3, G4
22	61812-75	RUBBER SPACER BLOCK, FUEL TANK (2)	84 to * G3, G4, U4
23	62346-75	FUEL STRAINER, IN FUEL TANK	84 to * G3, G4, U4
24	62350-63	FUEL FILTER	84 to * G3, G4, U4
25	63501-68	HOSE, 1/4 IN. I.D., BLACK 10 FEET	84 to * G3, G4, U4
26	63509-75	HOSE, IN FUEL TANK	84 to * G3, G4, U4
27	91847-63B	FUEL INSTRUCTION LABEL	84 to * G3, G4, U4

NOTE: "E" indicates Early Models, "L" indicates Late Models,
 "*" indicates latest model year shown on manual cover.

EXHAUST SYSTEM

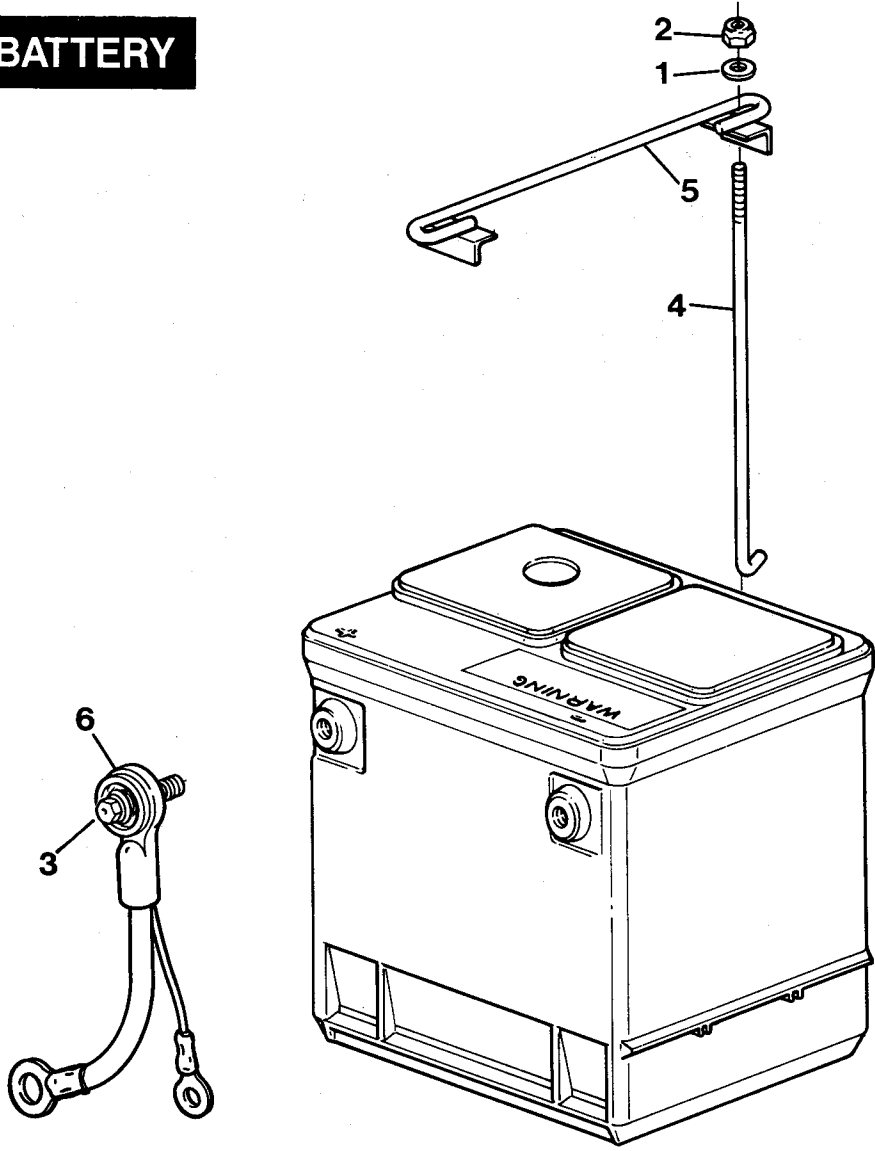


EXHAUST SYSTEM

INDEX NO.	PART NO.	NAME	USED ON
1	6701	WASHER (2)	84 to * G3, G4, U4
2	7525	LOCKNUT (4)	84 to * G3, G4, U4
3	7759	NUT (2)	84 to * G3, G4, U4
4	65232-84	MUFFLER WITH PIPE	84 to * G3, G4, U4
5	65267-82	GASKET, FLANGE	84 to * G3, G4, U4
6	65520-82	FLANGE, EXHAUST PIPE	84 to * G3, G4, U4

NOTE: "E" indicates Early Models, "L" indicates Late Models, "*" indicates latest model year shown on manual cover.

BATTERY

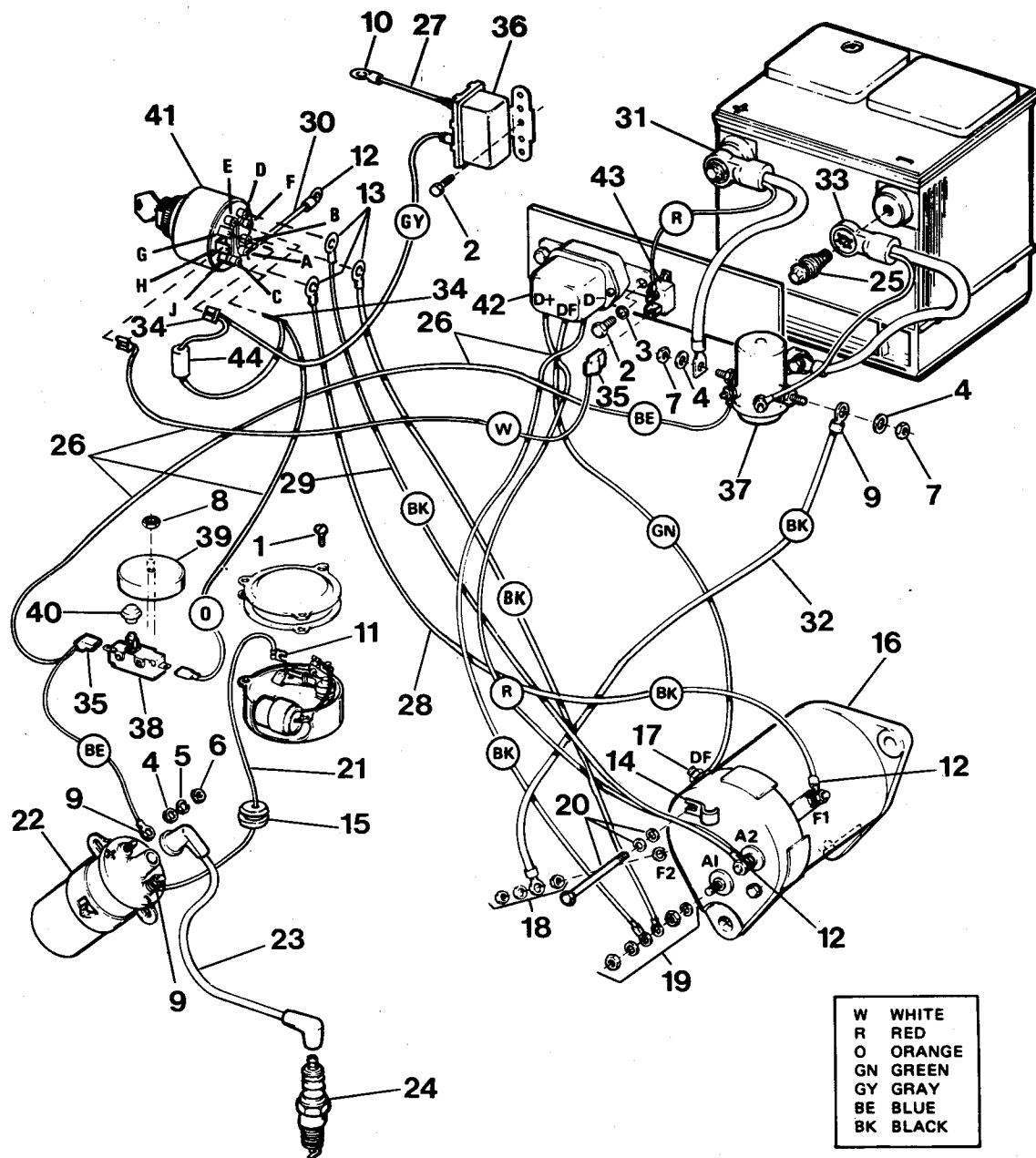


BATTERY

INDEX NO.	PART NO.	NAME	USED ON
1	6703	WASHER (2)	84 to * G3, G4, U4
2	7742	LOCKNUT (2)	84 to * G3, G4, U4
3	66086-80	BOLT, BATTERY TERMINAL	84 to * G3, G4, U4
4	66323-80	ROD, BATTERY HOLD DOWN (2)	84 to * G3, G4, U4
5	66388-64	BRACKET, BATTERY HOLD DOWN	84 to * G3, G4, U4
6	70196-80	BATTERY CABLE, POSITIVE (RED)	84 to * G3, G4, U4
	70458-80	BATTERY CABLE, NEGATIVE (BLACK)	84 to * G3, G4, U4

NOTE: "E" indicates Early Models, "L" indicates Late Models,
 "*" indicates latest model year shown on manual cover.

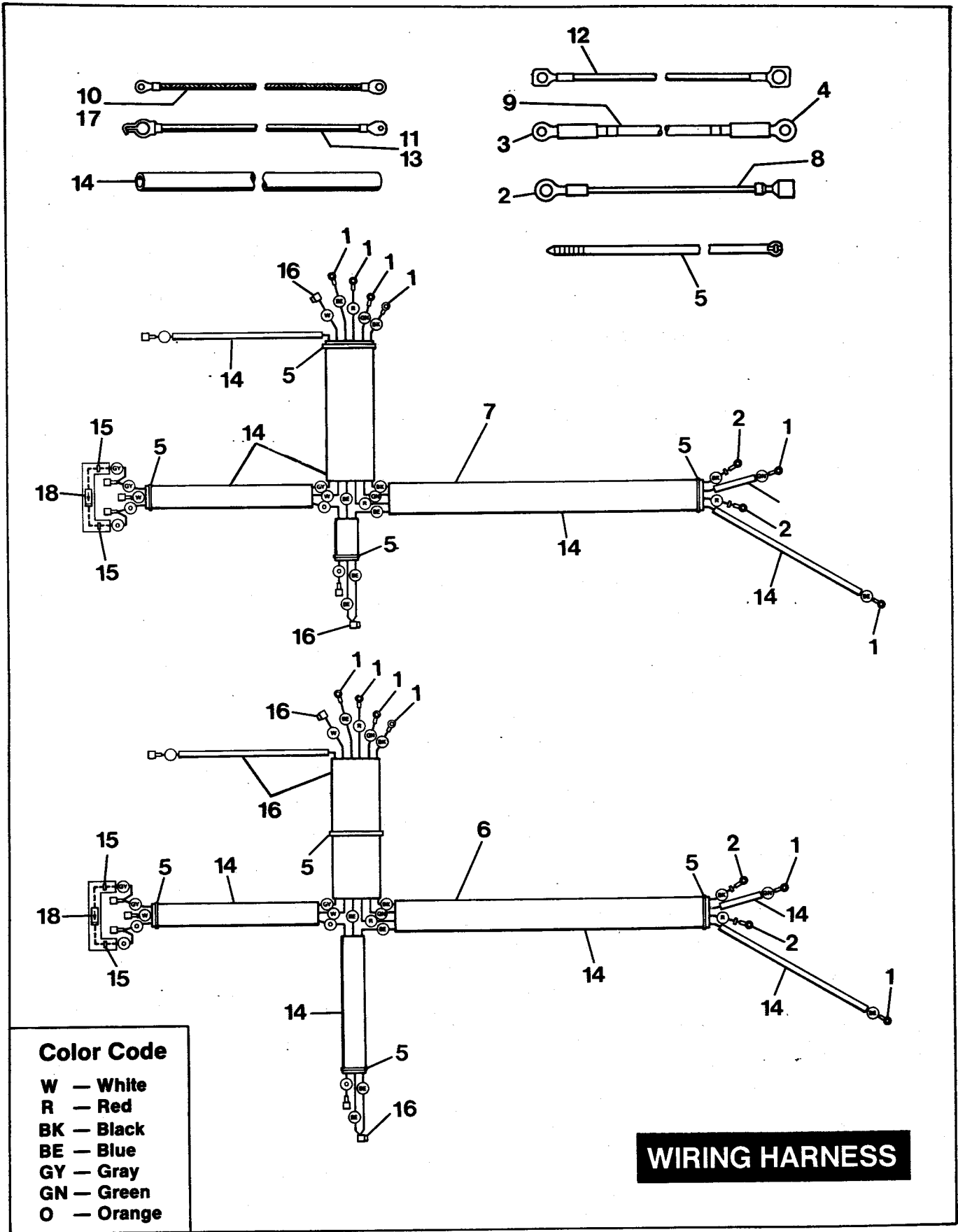
WIRING



WIRING

INDEX NO.	PART NO.	NAME	USED ON
1	3000	SCREW (3)	84 to * G3, G4, U4
2	3204W	SCREW	84 to * G3, G4, U4
3	6702	WASHER (2)	84 to * G3, G4, U4
4	6716	WASHER (2)	84 to * G3, G4, U4
5	7069	LOCKWASHER (2)	84 to * G3, G4, U4
6	7634	NUT (2)	84 to * G3, G4, U4
7	7753	NUT (2)	84 to * G3, G4, U4
8	7807W	NUT	84 to * G3, G4, U4
9	9857	WIRE TERMINAL, RING TYPE	84 to * G3, G4, U4
10	9858	CONNECTOR WIRE	84 to * G3, G4, U4
11	9884	WIRE TERMINAL, FLAG TYPE	84 to * G3, G4, U4
12	9911	WIRE TERMINAL, RING TYPE (4)	84 to * G3, G4, U4
13	9922	WIRE TERMINAL, RING TYPE (4)	84 to * G3, G4, U4
14	10047	CLIP, CABLES	84 to * G3, G4, U4
15	11414	GROMMET	84 to * G3, G4, U4
16	30083-69C	STARTER-GENERATOR	84 to * G3, G4, U4
17	30394-77	HARDWARE KIT, (DF-TERMINALS)	84 to * G3, G4, U4
18	30395-77	HARDWARE KIT, (F-1 & F-2 TERMINALS)	84 to * G3, G4, U4
19	30446-77	HARDWARE KIT, (A-1 & A-2 TERMINALS)	84 to * G3, G4, U4
20	30461-77	THRU-BOLT, WITH WASHERS AND LOCKWASHERS (2)	84 to * G3, G4, U4
21	30491-80	CABLE, BREAKER PLATE	84 to * G3, G4, U4
22	31601-63A	SPARK COIL	84 to * G3, G4, U4
23	31981-82	WIRE, SPARK PLUG	84 to * G3, G4, U4
24	32301-78C	SPARK PLUG, L92C	84 to * G3, G4, U4
25	66086-80	BOLT, SIDE MOUNT (2)	84 to * G3, G4, U4
26	70015-82	MAIN WIRING HARNESS	84 G3
	70015-85	MAIN WIRING HARNESS	85 to * G3
	70019-82	MAIN WIRING HARNESS	84 G4
	70019-85	MAIN WIRING HARNESS	85 to * G4
27	70026-82	CABLE, BUZZER TO GROUND	84 to * G3, G4, U4
28	70056-82	CABLE, KEY SWITCH	84 to * G3, G4, U4
29	70062-82	CABLE, KEY SWITCH	84 to * G3, G4, U4
30	70081-82	CABLE, KEY SWITCH	84 to * G3, G4, U4
31	70196-80	CABLE, BATTERY (POSITIVE)	84 to * G3, G4, U4
32	70351-72	WIRE, SOLENOID TO STARTER-GENERATOR F2 TERMINAL	84 to * G3, G4, U4
33	70458-80	CABLE, BATTERY (NEGATIVE)	84 to * G3, G4, U4
34	70581-73	CONNECTOR, WIRE (2)	84 to * G3, G4, U4
35	70584-69	INSULATOR, FLAG TERMINAL (2)	84 to * G3, G4, U4
36	71402-79	REVERSE BUZZER	84 to * G3, G4, U4
37	71470-63D	SOLENOID SWITCH	84 to * G3, G4, U4
38	71506-63	MICRO SWITCH	84 to * G3, G4, U4
39	71509-70	CUP, MICRO SWITCH	84 to * G3, G4, U4
40	71514-68A	COVER, PLUNGER	84 to * G3, G4, U4
41	71762-82A	IGNITION SWITCH, FORWARD-REVERSE	84 to * G3, G4, U4
42	74509-76	VOLTAGE REGULATOR	84 G3, G4, U4
	74510-85	VOLTAGE REGULATOR, SOLID STATE	85 to * G3, G4, U4
43	74592-68	CIRCUIT BREAKER	84 to * G3, G4, U4
44	74886-67	DIODE, SPEED SWITCH	84 to * G3, G4, U4

NOTE: "E" indicates Early Models, "L" indicates Late Models,
 "*" indicates latest model year shown on manual cover.

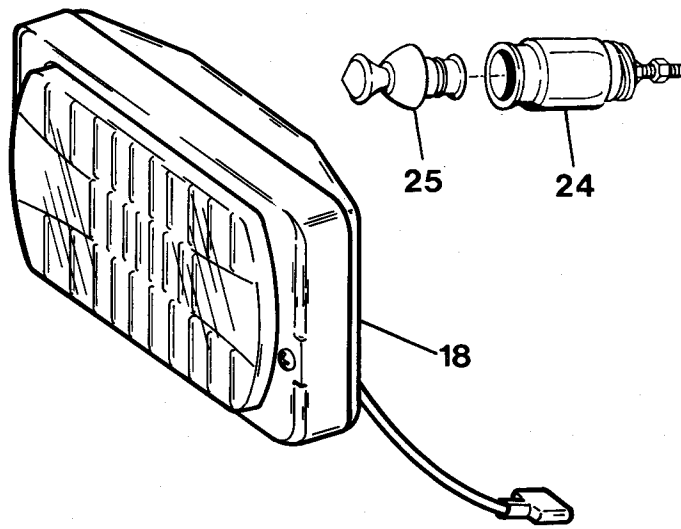
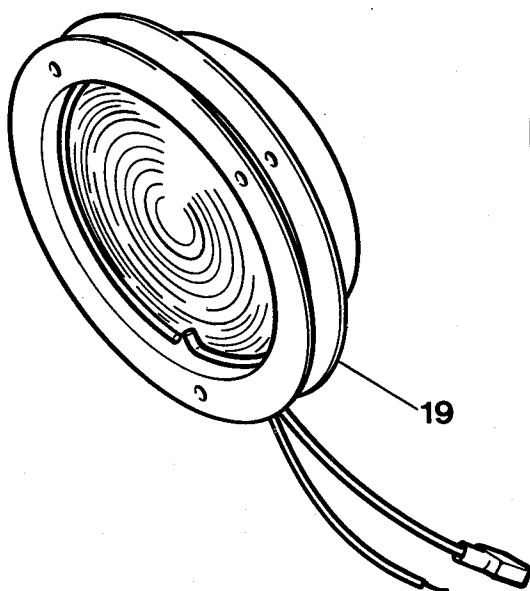
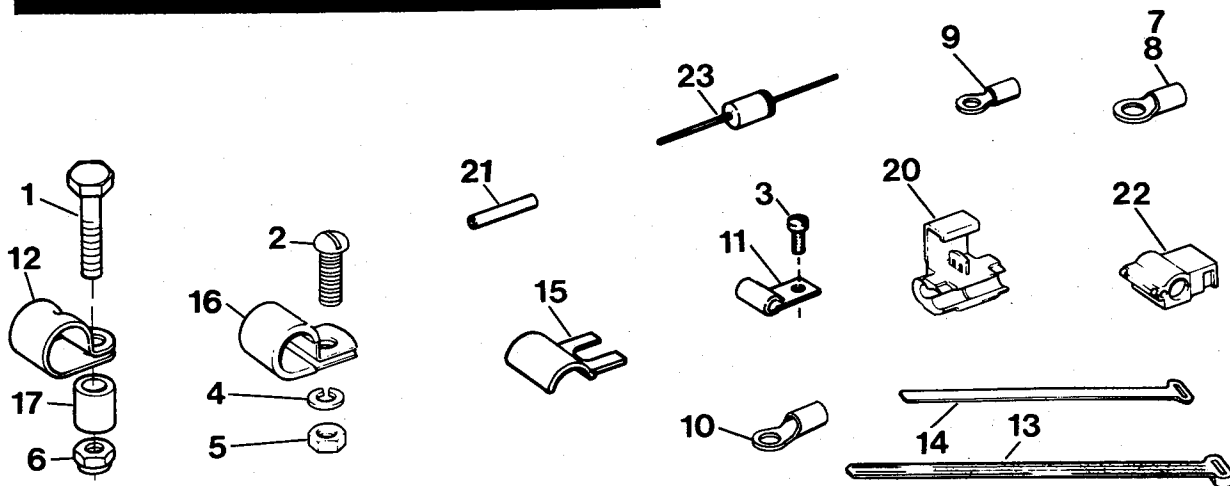


WIRING HARNESS

INDEX NO.	PART NO.	NAME	USED ON
1	9857	WIRE TERMINAL, RING TYPE (6)	84 to * G3, G4, U4
2	9858	CONNECTOR, WIRE (2)	84 to * G3, G4, U4
3	9911	WIRE TERMINAL, RING TYPE (4)	84 to * G3, G4, U4
4	9922	WIRE TERMINAL, RING TYPE (4)	84 to * G3, G4, U4
5	10006	STRAP, CABLES (4)	84 to * G3, G4, U4
6	70015-84	MAIN WIRING HARNESS	84 G3
	70015-85	MAIN WIRING HARNESS	85 to * G3
7	70019-84	MAIN WIRING HARNESS	84 G4, U4
	70019-85	MAIN WIRING HARNESS	85 to * G4, U4
8	70026-82	GROUND STRAP, REVERSE BUZZER	84 to * G3, G4, U4
9	70056-82	CABLE, KEY SWITCH TO STARTER-GENERATOR ..	84 to * G3, G4, U4
	70062-82	CABLE, KEY SWITCH TO STARTER-GENERATOR ..	84 to * G3, G4, U4
	70081-82	CABLE, KEY SWITCH TO GROUND	84 to * G3, G4, U4
10	70164-69A	GROUND STRAP, ENGINE	84 to * G3, G4, U4
11	70196-80	BATTERY CABLE, POSITIVE	84 to * G3, G4, U4
12	70351-72	WIRE, SOLENOID TO STARTER-GENERATOR F2 TERMINAL	84 to * G3, G4, U4
13	70458-80	BATTERY CABLE, NEGATIVE	84 to * G3, G4, U4
14	70551-69	CONDUIT, 1/8 I.D. X 10 FT. LG. BLACK VINYL (HI-TEMP)	84 to * G3, G4, U4
	70552-69	CONDUIT, 3/8 I.D. X 10 FT. LG. BLACK VINYL	84 to * G3, G4, U4
	70553-69	CONDUIT, 7/16 I.D. X 10 FT. LG. BLACK VINYL	84 to * G3, G4, U4
	70554-69	CONDUIT, 1/4 I.D. X 10 FT. LG. BLACK VINYL	84 to * G3, G4, U4
	70555-69	CONDUIT, 1/4 I.D. X 10 FT. LG. BLACK VINYL (HI-TEMP)	84 to * G3, G4, U4
	70556-71	CONDUIT, 5/16 I.D. X 10 FT. LG. BLACK VINYL	84 to * G3, G4, U4
	70558-71	CONDUIT, 1/2 I.D. X 10 FT. LG. BLACK VINYL	84 to * G3, G4, U4
	70559-71	CONDUIT, 1/8 I.D. X 10 FT. LG. BLACK VINYL	84 to * G3, G4, U4
15	70581-73	CONNECTOR (2)	84 to * G3, G4, U4
16	70584-69	INSULATOR, FLAG TYPE (2)	84 to * G3, G4, U4
17	70634-85	CABLE ASSY., HEADLAMP TO SWITCH	84 to * U4
	70636-85	CABLE ASSY., GROUNDWIRE, CIGARETTE LIGHTER	84 to * U4
	70642-85	CABLE ASSY., SWITCH TO CIRCUIT BREAKER ..	84 to * U4
18	74886-67	DIODE, SPEED SWITCH	84 to * G3, G4, U4

NOTE: "E" indicates Early Models, "L" indicates Late Models,
 "*" indicates latest model year shown on manual cover.

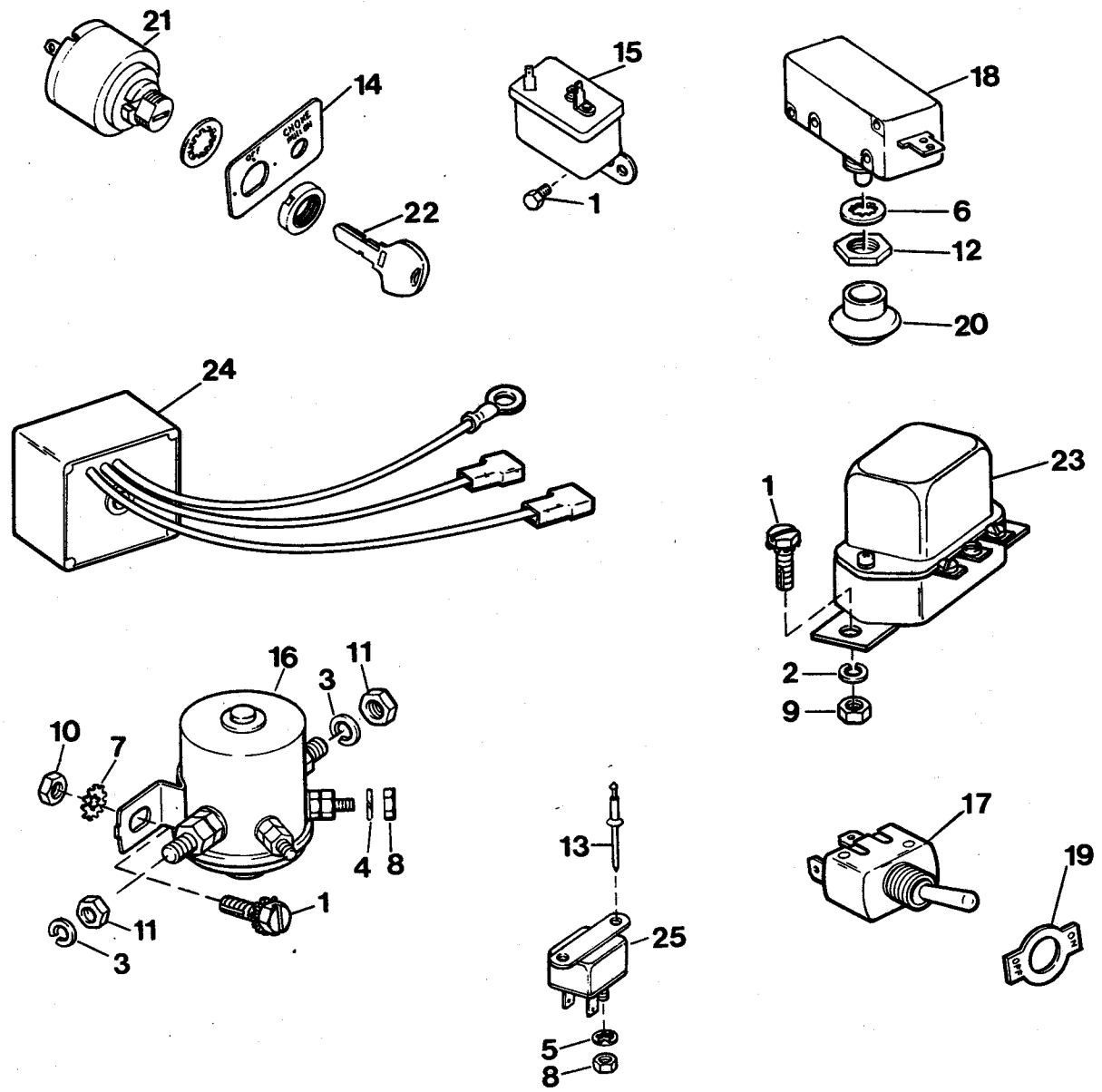
MISCELLANEOUS ELECTRICAL



MISCELLANEOUS ELECTRICAL

INDEX NO.	PART NO.	NAME	USED ON
1	2551W	BOLT	84 to * G3, G4, U4
2	3728	BOLT	84 to * G3, G4, U4
3	4008	SCREW	84 to * G3, G4, U4
4	7036	LOCKWASHER	84 to * G3, G4, U4
5	7689W	NUT	84 to * G3, G4, U4
6	7742	LOCKNUT	84 to * G3, G4, U4
7	9857	WIRE TERMINAL	84 to * G3, G4, U4
8	9858	WIRE TERMINAL	84 to * G3, G4, U4
9	9911	WIRE TERMINAL, RING TYPE	84 to * G3, G4, U4
10	9922	WIRE TERMINAL, RING TYPE	84 to * G3, G4, U4
11	9927	CLIP	84 to * G3, G4, U4
12	9958	CABLE CLAMP (2)	84 to * G3, G4, U4
13	10006	CABLE STRAP	84 to * G3, G4, U4
14	10016	CABLE STRAP	84 to * G3, G4, U4
15	10047	CLIP	84 to * G3, G4, U4
16	38713-82	CLAMP	84 to * G3, G4, U4
17	49079-72	SPACER	84 to * G3, G4, U4
18	67814-80	HEADLIGHT ASSEMBLY (2)	84 to * U4
19	68018-85	TAIL LIGHT ASSEMBLY (2)	84 to * U4
20	70576-68	WIRE CONNECTOR	84 to * G3, G4, U4
21	70581-73	CONNECTOR	84 to * G3, G4, U4
22	70584-69	INSULATOR, FLAG TERMINAL	84 to * G3, G4, U4
23	74886-67	DIODE	84 to * G3, G4, U4
24	91817-68	SOCKET, LIGHTER	84 TO * U4
25	91818-68	LIGHTER	84 to * U4

NOTE: "E" indicates Early Models, "L" indicates Late Models,
 "*" indicates latest model year shown on manual cover.

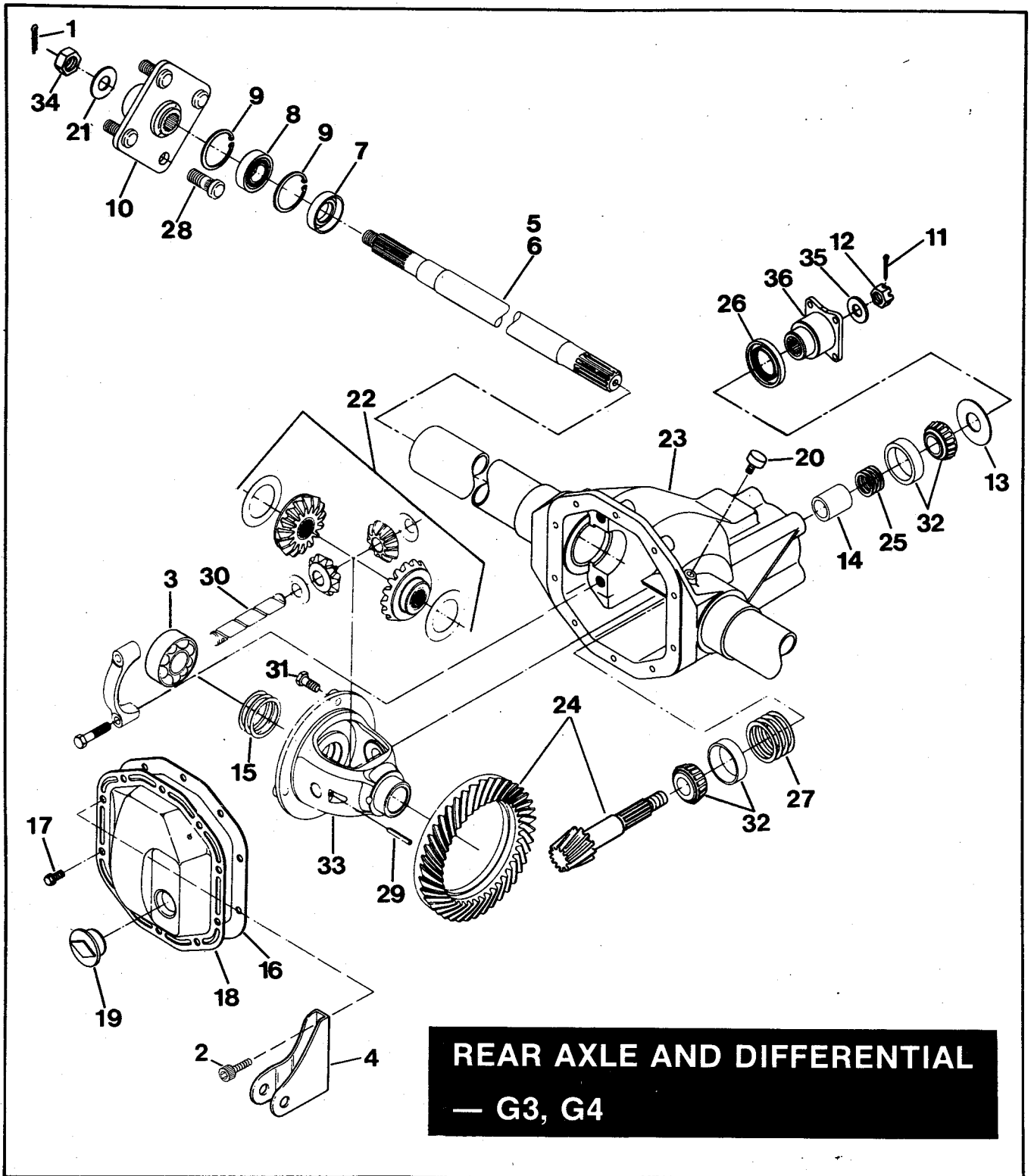


SWITCHES

SWITCHES

INDEX NO.	PART NO.	NAME	USED ON
1	3204W	SCREW (5)	84 to * G3, G4, U4
2	7036	LOCKWASHER (2)	84 to * G3, G4, U4
3	7041	LOCKWASHER (2)	84 to * G3, G4, U4
4	7069	LOCKWASHER (2)	84 to * G3, G4, U4
5	7118	LOCKWASHER (2)	84 to * G3, G4, U4
6	7130W	LOCKWASHER	84 to * G3, G4, U4
7	7229W	LOCKWASHER	84 to * G3, G4, U4
8	7638	NUT (4)	84 to * G3, G4, U4
9	7676	NUT (2)	84 to * G3, G4, U4
10	7688	NUT (2)	84 to * G3, G4, U4
11	7753	NUT (4)	84 to * G3, G4, U4
12	7807W	SPEED NUT	84 to * G3, G4, U4
13	8687	POP RIVET (2)	84 to * G3, G4, U4
14	33799-82	KEYSWITCH DECAL, FORWARD-OFF-REVERSE	84 to * G4, 85 to * G3
	53269-84	LABEL, CHOKE	84 G3
	53271-84	LABEL, SWITCH	84 G3
15	71402-79	BUZZER, REVERSE	84 to * G3, G4, U4
16	71470-63D	SOLENOID SWITCH	84 to * G3, G4, U4
17	71502-83	SWITCH, HEAD LIGHTS	84 to * U4
18	71506-63	MICRO SWITCH, ACCELERATOR PEDAL	84 to * G3, G4, U4
19	71507-83	PLATE, HEAD LIGHT SWITCH (ON-OFF)	84 to * U4
20	71514-68A	RUBBER COVER, MICRO SWITCH PLUNGER	84 to * G3, G4, U4
21	71762-82A	KEY SWITCH	84 to * G3, G4, U4
22	71766-82	KEY	84 to * G3, G4, U4
23	74509-76	VOLTAGE REGULATOR	84 G3, G4, U4
24	74510-85	VOLTAGE REGULATOR, SOLID STATE	85 to * G3, G4, U4
25	74592-68	CIRCUIT BREAKER	84 to * G3, G4, U4

NOTE: "E" indicates Early Models, "L" indicates Late Models,
 "**" indicates latest model year shown on manual cover.

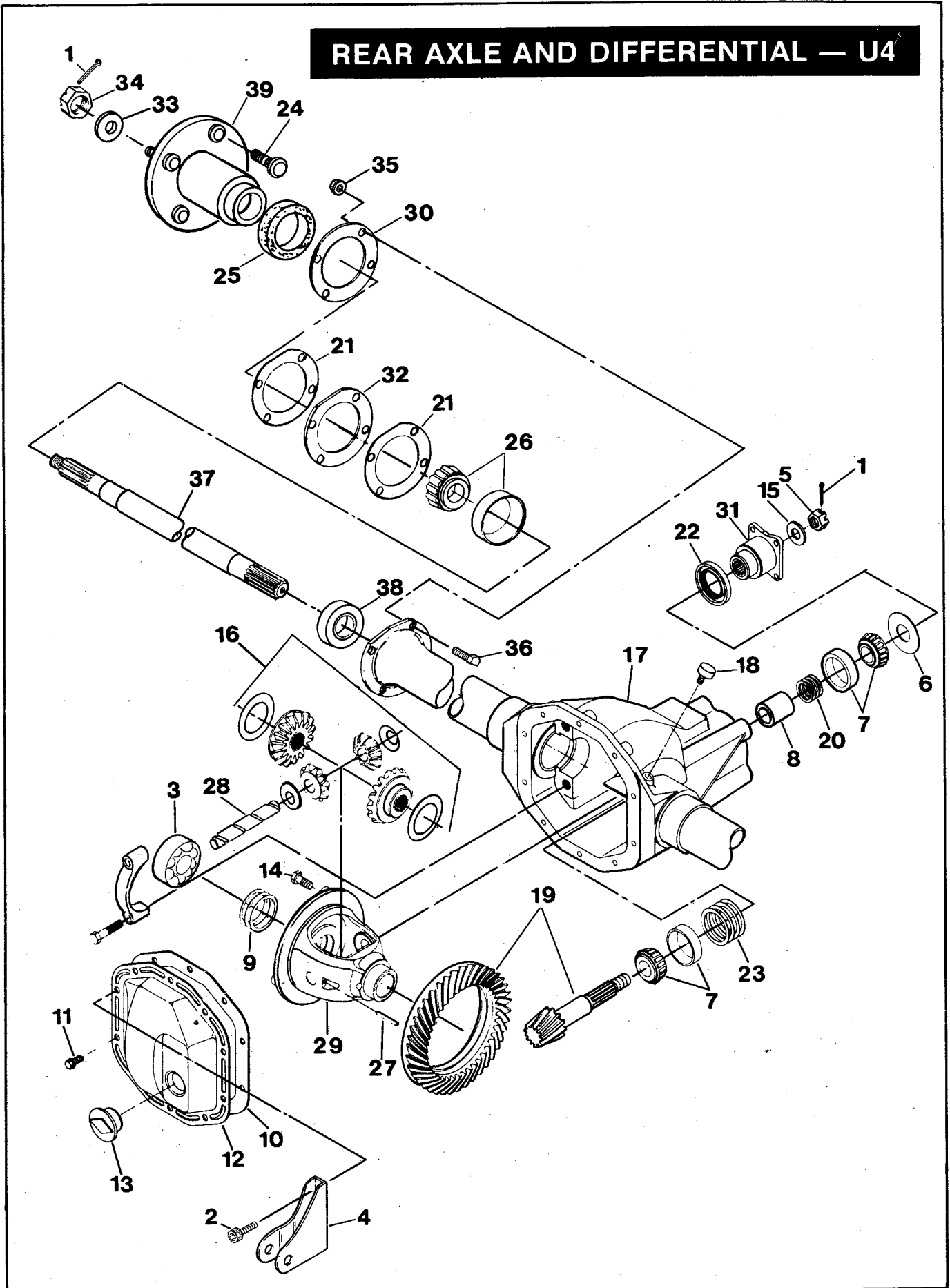


REAR AXLE AND DIFFERENTIAL — G3, G4

INDEX NO.	PART NO.	NAME	USED ON
1	559	COTTER PIN (3)	84 to * G3, G4
2	4733	SCREW (2)	84 to * G3, G4
3	8880	BEARING, BALL BEARING (2)	84 to * G3, G4
4	54524-73	MOUNTING BRACKET, SHOCK ABSORBER	84 to * G3, G4
5	82702-82	AXLE SHAFT, RIGHT	84 to * G3, G4
6	82703-82	AXLE SHAFT, LEFT	84 to * G3, G4
7	82704-78	OIL SEAL, AXLE END (2)	84 to * G3, G4
8	82705-78	BEARING, AXLE END (2)	84 to * G3, G4
9	82706-78	RETAINING RING, AXLE BEARING (4)	84 to * G3, G4
10	82707-82	HUB, REAR WHEEL (2)	84 to * G3, G4
11	82712-78	COTTER PIN, PINION NUT	84 to * G3, G4
12	82713-78	CASTLE NUT, PINION	84 to * G3, G4
13	82717-78	THRUST WASHER, PINION BEARING	84 to * G3, G4
14	82724-78	SPACER, PINION BEARINGS	84 to * G3, G4
15	82728-78	SHIM, DIFFERENTIAL BEARING .003"	84 to * G3, G4
	82729-78	SHIM, DIFFERENTIAL BEARING .005"	84 to * G3, G4
	82730-78	SHIM, DIFFERENTIAL BEARING .010"	84 to * G3, G4
	82731-78	SHIM, DIFFERENTIAL BEARING .030"	84 to * G3, G4
16	82734-78	GASKET, AXLE HOUSING COVER	84 to * G3, G4
17	82735-78	BOLT, AXLE HOUSING COVER (8)	84 to * G3, G4
18	82736-78	COVER, AXLE HOUSING	84 to * G3, G4
19	82737-78	PLUG, AXLE HOUSING COVER	84 to * G3, G4
20	82749-78	BREATHER PLUG, AXLE HOUSING COVER	84 to * G3, G4
21	82770-78	WASHER, AXLE NUT (2)	84 to * G3, G4
22	82772-82	DIFFERENTIAL GEAR SET	84 to * G3, G4
23	82810-82	REAR AXLE AND DIFFERENTIAL ASSEMBLY, COMPLETE	84 to * G3, G4
24	82948-73	MATCHED PINION AND GEAR	84 to * G3, G4
25	83032-73	SHIM, PINION BEARING-FRONT .003"	84 to * G3, G4
	83033-73	SHIM, PINION BEARING-FRONT .005"	84 to * G3, G4
	83034-73	SHIM, PINION BEARING-FRONT .010"	84 to * G3, G4
	83035-73	SHIM, PINION BEARING-FRONT .030"	84 to * G3, G4
26	83051-73	OIL SEAL, PINION	84 to * G3, G4
27	83072-73	SHIM, PINION BEARING-REAR .003"	84 to * G3, G4
	83073-73	SHIM, PINION BEARING-REAR .005"	84 to * G3, G4
	83074-73	SHIM, PINION BEARING-REAR .010"	84 to * G3, G4
28	83085-73	MOUNTING STUD, WHEEL HUB (8)	84 to * G3, G4
29	83103-73	ROLL PIN, DIFFERENTIAL CASE	84 to * G3, G4
30	83104-73	SHAFT, IDLER GEAR	84 to * G3, G4
31	83106-63A	BOLT, DRIVE GEAR (4)	84 to * G3, G4
32	83112-63A	BEARING, PINION (2)	84 to * G3, G4
33	83125-82	DIFFERENTIAL CARRIER ASSY. WITH GEARS ...	84 to * G3, G4
34	83131-82	NUT, AXLE SHAFT (2)	84 to * G3, G4
35	83133-63A	WASHER, PINION NUT	84 to * G3, G4
36	83135-82	PINION YOKE	84 to * G3, G4

NOTE: "E" indicates Early Models, "L" indicates Late Models,
 "*" indicates latest model year shown on manual cover.

REAR AXLE AND DIFFERENTIAL — U4

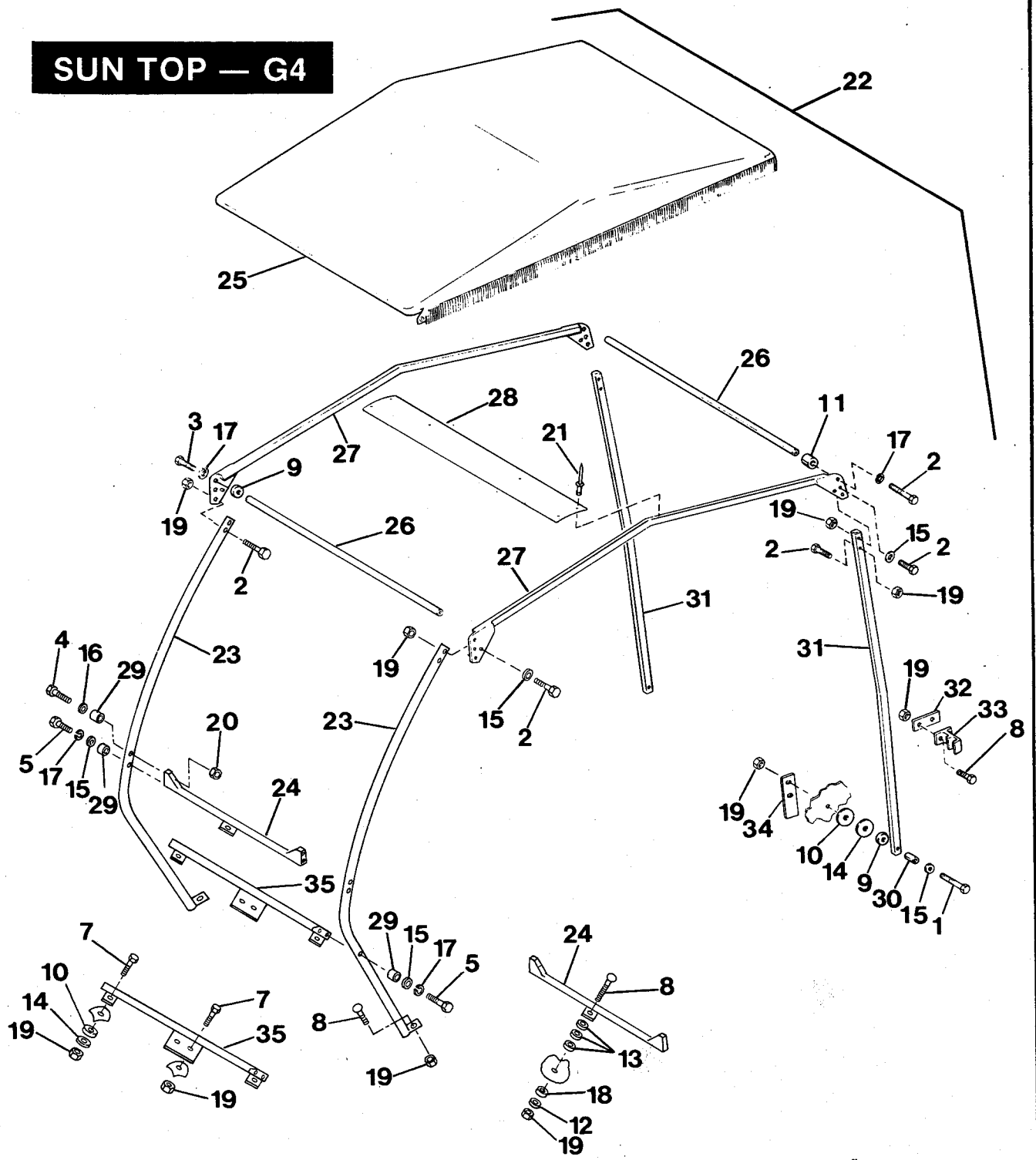


REAR AXLE AND DIFFERENTIAL — U4

INDEX NO.	PART NO.	NAME	USED ON
1	559	COTTER PIN (3)	84 to * U4
2	4733	SCREW 5/16-18x1 HEX. HD.	84 to * U4
3	8880	ROLLER BEARING, DIFFERENTIAL (2)	84 to * U4
4	54524-73	MOUNTING BRACKET, SHOCK ABSORBER	84 to * U4
5	82713-78	NUT, PINION	84 to * U4
6	82717-78	OIL SLINGER, PINION	84 to * U4
7	82722-78	ROLLER BEARING, PINION (2) (BEARING, CUP AND CONE)	84 to * U4
8	82724-78	SPACER, PINION BEARINGS	84 to * U4
9	82728-78	SHIM, DIFFERENTIAL BEARING .003"	84 to * U4
	82729-78	SHIM, DIFFERENTIAL BEARING .005"	84 to * U4
	82730-78	SHIM, DIFFERENTIAL BEARING .010"	84 to * U4
	82731-78	SHIM, DIFFERENTIAL BEARING .030"	84 to * U4
10	82734-78	GASKET, AXLE HOUSING COVER (SERVICE ONLY)	84 to * U4
11	82735-78	BOLT, AXLE HOUSING COVER (9)	84 to * U4
12	82736-78	COVER, AXLE HOUSING	84 to * U4
13	82737-78	PLUG, AXLE HOUSING COVER	84 to * U4
14	82748-78	BOLT, DRIVE GEAR (10)	84 to * U4
15	82770-78	WASHER, PINION NUT	84 to * U4
16	82772-82	GEAR KIT	84 to * U4
17	82815-83	REAR AXLE ASSEMBLY	84 to * U4
18	82823-67	BREATHER VALVE, AXLE HOUSING	84 to * U4
19	82948-73	MATCHED PINION AND GEAR	84 to * U4
20	83032-73	SHIM, PINION BEARING-FRONT .003"	84 to * U4
	83033-73	SHIM, PINION BEARING-FRONT .005"	84 to * U4
	83034-73	SHIM, PINION BEARING-FRONT .010"	84 to * U4
	83035-73	SHIM, PINION BEARING-FRONT .030"	84 to * U4
21	83043-73	GASKET, AXLE END BEARING RETAINER (4)	84 to * U4
22	83051-63	OIL SEAL, PINION	84 to * U4
23	83072-73	SHIM, PINION BEARING-REAR .003"	84 to * U4
	83073-73	SHIM, PINION BEARING-REAR .005"	84 to * U4
	83074-73	SHIM, PINION BEARING-REAR .010"	84 to * U4
24	83085-73	STUD, WHEEL HUB (8)	84 to * U4
25	83087-73	FELT SEAL, WHEEL HUB (2)	84 to * U4
26	83100-73	ROLLER BEARING, WHEEL HUB (2)	84 to * U4
27	83103-73	LOCK PIN, PINION MATE SHAFT	84 to * U4
28	83104-73	SHAFT, PINION MATE	84 to * U4
29	83125-82	DIFFERENTIAL CASE ASSEMBLY	84 to * U4
30	83126-73	DUST SHIELD, WHEEL HUB BEARING (2)	84 to * U4
31	83135-82	YOKE, PINION	84 to * U4
32	83165-73	RETAINER, WHEEL HUB BEARING (2)	84 to * U4
33	83220-83	WASHER	84 to * U4
34	83221-83	NUT, AXLE SHAFT (2)	84 to * U4
35	83222-83	NUT	84 to * U4
36	83223-83	BOLT, WHEEL HUB BEARING RETAINER (8)	84 to * U4
37	83224-83	AXLE SHAFT, RIGHT	84 to * U4
	83225-83	AXLE SHAFT, LEFT	84 to * U4
38	83226-83	OIL SEAL, AXLE TUBE	84 to * U4
39	83227-83	HUB, REAR WHEEL (2)	84 to * U4

NOTE: "E" indicates Early Models, "L" indicates Late Models,
 "*" indicates latest model year shown on manual cover.

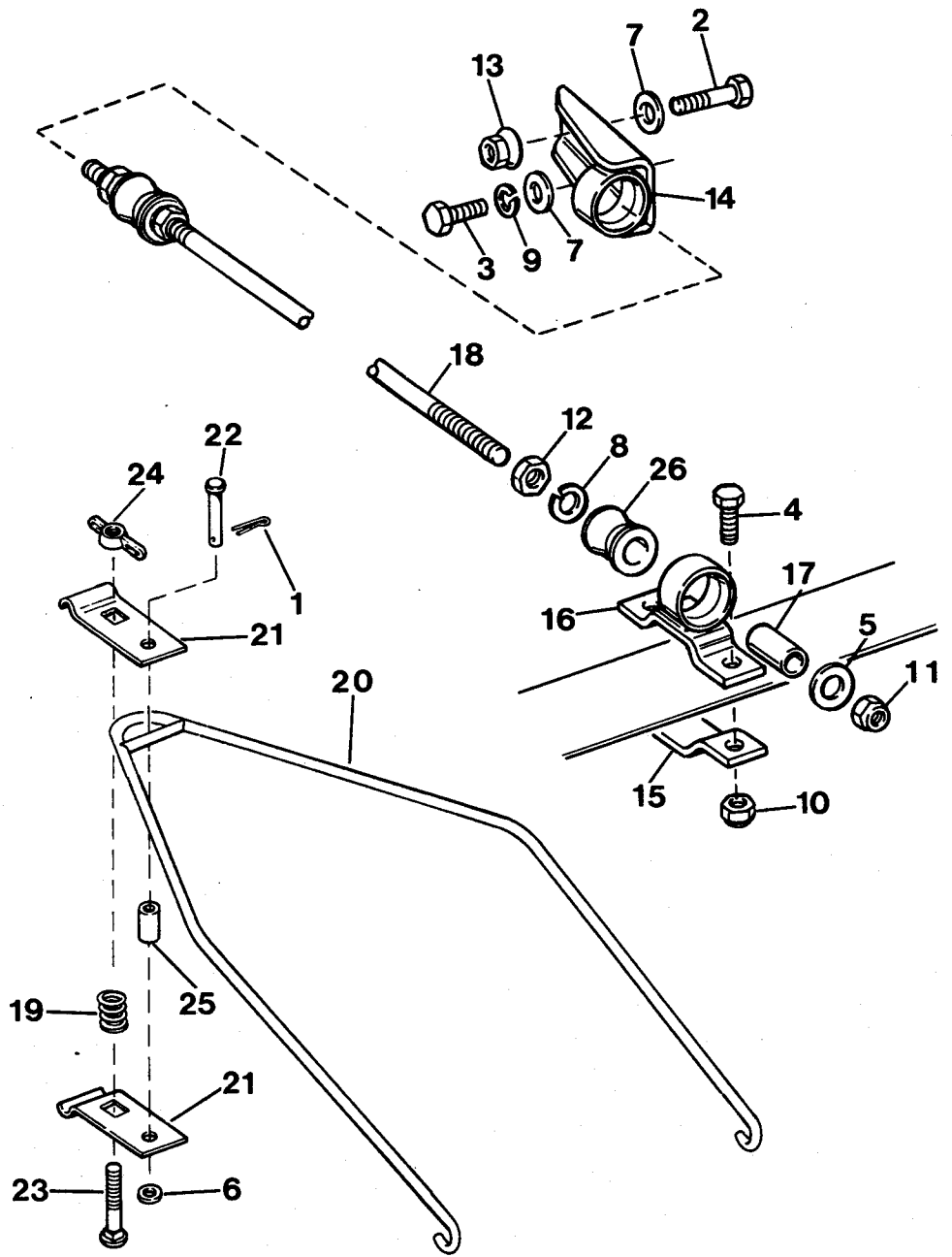
SUN TOP — G4



SUN TOP — G4

INDEX NO.	PART NO.	NAME	USED ON
1	2667	BOLT, 5/16-18x2 HEX. HD. (2)	84 to * G4
2	2818	BOLT, 5/16-18x1-1/2 HEX. HD. (10)	84 to * G4
3	2871W	BOLT, 5/16-18x1-1/4 HEX. HD. (2)	84 to * G4
4	2872W	BOLT, 1/4-20x1-1/2 HEX. HD. (2)	84 to * G4
5	2887W	BOLT, 5/16-18x1-3/4 HEX. HD. (4)	84 to * G4
6	3987	BOLT, 5/16-18x3/4 HEX. HD. (4)	84 to * G4
7	4017	BOLT, 5/16-18x1 HEX. HD. (4)	84 to * G4
8	5445W	CARRIAGE BOLT, 5/16-18x1-1/4 HEX. HD. (3)	84 to * G4
9	5919	SPACER, 1/4 (4)	84 to * G4
10	5927	WASHER, 11/32x1-1/2x3/32 (RUBBER) (4) ...	84 to * G4
11	5947W	SPACER, 9/16 (2)	84 to * G4
12	6229W	WASHER, 5/16x1-1/16x1/16	84 to * G4
13	6266	WASHER, 5/16x7/8x1/8 (3)	84 to * G4
14	6678W	WASHER, 11/32x1-1/2x5/32 (4)	84 to * G4
15	6702	WASHER, 5/16x11/16x1/16 (10)	84 to * G4
16	6703	WASHER, 1/4x5/8x1/16 (2)	84 to * G4
17	7041	LOCKWASHER, 5/16 (8)	84 to * G4
18	7415	WASHER, RUBBER 5/16 I.D.	84 to * G4
19	7740	LOCKNUT, 5/16-18x1/4x1/2 HEX. (21)	84 to * G4
20	7742	LOCKNUT, 1/4-20x7/32x7/16 HEX. (2)	84 to * G4
21	8483	POP RIVET, REINFORCEMENT (4)	84 to * G4
22	89440-82	SUNTOP, COMPLETE	84 to * G4
23	89441-82	TUBE ASSEMBLY, FRONT (2)	84 to * G4
24	89444-82	CROSS SUPPORT, UPPER	84 to * G4
25	89457-74	COVER	84 to * G4
26	89458-74	CROSS OVER TUBE (2)	84 to * G4
27	89461-74	SIDE TUBE ASSEMBLY, TOP (2)	84 to * G4
28	89464-74	REINFORCEMENT, TOP	84 to * G4
29	89465-74	SPACER (6)	84 to * G4
30	89466-74	SPACER (2)	84 to * G4
31	89467-74	TUBE ASSEMBLY, REAR (2)	84 to * G4
32	89472-74	REINFORCEMENT, GUIDE (2)	84 to * G4
33	89474-74	GUIDE (2)	84 to * G4
34	89475-74	REINFORCEMENT PLATE (2)	84 to * G4
35	89519-82	CROSS SUPPORT, LOWER	84 to * G4

NOTE: "E" indicates Early Models, "L" indicates Late Models,
 "*" indicates latest model year shown on manual cover.



STABILIZER AND G3 TOW BAR

STABILIZER AND G3 TOW BAR

INDEX NO.	PART NO.	NAME	USED ON
1	534	COTTER PIN	84 to * G3
2	2818	BOLT	84 to * G3, G4, U4
3	3991	SCREW	84 to * G3, G4, U4
4	4319	BOLT (2)	84 to * G3, G4, U4
5	6416	WASHER	84 to * G3, G4, U4
6	6701	WASHER	84 to * G3
7	6702	WASHER (2)	84 to * G3, G4, U4
8	7038	LOCKWASHER (2)	84 to * G3, G4, U4
9	7041	LOCKWASHER	84 to * G3, G4, U4
10	7775	NUT (2)	84 to * G3, G4, U4
11	7778	NUT (2)	84 to * G3, G4, U4
12	7783	NUT (2)	84 to * G3, G4, U4
13	8161	LOCKNUT	84 to * G3, G4, U4
14	16231-80	STABILIZER BRACKET, ENGINE	84 to * G3, G4, U4
15	16232-70	CLAMP, STABILIZER AXLE TUBE BRACKET	84 to * G3, G4, U4
16	16241-70	AXLE TUBE BRACKET, STABILIZER	84 to * G3, G4, U4
17	24794-67	SPACER, STABILIZER BAR (2)	84 to * G3, G4, U4
18	24801-80	STABILIZER BAR, ZINC PLATED	84 to * G3, G4, U4
19	73074-61	SPRING, TOW BAR BRACKET	84 to * G3
20	82009-70A	TOW BAR ASSEMBLY, COMPLETE	84 to * G3
21	82011-70	BRACKET, TOW BAR (2)	84 to * G3
22	82012-70	PIN, TOW BAR BRACKET	84 to * G3
23	82013-70	CARRIAGE BOLT, TOW BAR BRACKET	84 to * G3
24	82014-70	WING NUT, TOW BAR BRACKET BOLT	84 to * G3
25	82015-70	SPACER, TOW BAR BRACKET PIN	84 to * G3
26	85210-42A	RUBBER BUSHING (2)	84 to * G3, G4, U4

NOTE: "E" indicates Early Models, "L" indicates Late Models,
 "*" indicates latest model year shown on manual cover.

COMMON HARDWARE

SCREWS

1047	SCREW, NO. 8-36x1/4 FIL. HD.
1198	SCREW, NO. 10-24x1/2 POZIDRIV FIL. HD.
1240W	SCREW, NO. 10-32x1-1/2 FIL. HD.
1302	SCREW, NO. 10-24x5/8 POZIDRIV FIL. HD.
1357	SCREW, 1/4x20x7/8 CTSK. OVAL POZIDRIV HD.
1357W	SCREW, 1/4-20x7/8 OVAL CTSK. HD.
1368W	SCREW, 1/4-20x POZIDRIV FIL. HD.
1608	SCREW, NO. 6-32x7/16 POZIDRIV FLAT CTSK. HD.
1719W	SCREW, NO. 8-32x5/8 PHILLIPS TRUSS HD.
1764W	SCREW, NO. 10-24x1-1/8 CTSK. FLAT SOCKET HD.
1783	SCREW, 5/16-28x7/8
1784	SCREW, NO. 10-24x3/4 FLAT HD. MACH.
2004	SCREW, 3/8-16x2 PAN HD.
2073W	SCREW, NO. 4-24x1/4 SELF TAP PAN HD.
2420	SCREW, 1/4-20x3/4 POZIDRIV TRUSS HD.
2541	SCREW, NO. 8-18x3/8 SELF TAP HEX HD.
2612	SCREW, NO. 8-32x1/2 POZIDRIV PAN HD.
2630W	SCREW, NO. 8-32x5/16 SELF TAP RD. HD.
2633	SCREW, NO. 8-32x3/8 SELF TAP RD. HD.
2659	SCREW, NO. 10-24x7/8 POZIDRIV PAN HD.
2673	SCREW, NO. 10-32x7/16 RD. HD.
2685W	SCREW, NO. 10-24x5/8 PHILLIPS SELF TAP PAN HD.
2741	SCREW, 5/16-24x1-1/4 POZIDRIV PAN HD.
2745	SCREW, 1/4-20x3/4 POZIDRIV SELF TAP TRUSS HD.
2788	SCREW, NO. 10-24x.88 TRUSS HD BL.
2796W	SCREW, 1/4-20x1-1/2 HEX SLOT HD.
3000	SCREW, NO. 10-24x7/16 HEX HD.
3204W	SCREW, 1/4-20x5/8 SELF TAP HEX HD.
3206B	SET SCREW, NO. 8-32x3/16 SOCKET HD.
3479	SCREW, 1/4-20x2-1/4 HEX HD.
3502	SCREW, 10-24x3/4
3503	SCREW, 10-24x1-1/4
3764B	SCREW, 1/4-20x5/8
3767B	SCREW, 1/4-20x7/8 OVAL CTSK. HD.
3794W	SCREW, 1/4-14 SELF TAP HEX HD.
4008	SCREW, NO. 10-32x7/8 HEX HD.
4733	SCREW, 5/16-18x1 HEX HD.

LOCKWASHERS

6969	LOCKWASHER, NO. 4
7015	LOCKWASHER, NO. 8
7036	LOCKWASHER, 1/4
7038	LOCKWASHER, 3/8
7039	LOCKWASHER, 7/16
7041	LOCKWASHER, 5/16
7068	LOCKWASHER, 1/2
7069	LOCKWASHER, NO. 10
7112	LOCKWASHER, NO. 6 INTERNAL TOOTH
7115	LOCKWASHER, NO. 8 INTERNAL TOOTH
7118	LOCKWASHER, NO. 10 INTERNAL TOOTH
7124	LOCKWASHER, 1/4 INTERNAL TOOTH
7127	LOCKWASHER, 5/16 INTERNAL TOOTH
7130W	LOCKWASHER, 3/8 EXTERNAL TOOTH
7229W	LOCKWASHER, 1/4 INTERNAL EXTERNAL TOOTH
7230	LOCKWASHER, 1/4 EXTERNAL TOOTH

BOLTS

2339	BOLT, NO. 10-24x3/4 HEX HD.
2551W	BOLT, 1/4-20x1 HEX HD.
2667	BOLT, 5/16-18x2 HEX HD.
2818	BOLT, 5/16-18x1-1/2 HEX HD.
2828W	BOLT, 3/8-16x3 HEX HD.
2871W	BOLT, 5/16-18x1-1/4 HEX HD.
2872W	BOLT, 1/4-20x1-1/2 HEX HD.
2887W	BOLT, 5/16-18x1-3/4 HEX HD.
3239W	BOLT, 1/4-28x3/4 SQ. HD.
3419	BOLT, 5/16-18x2-1/4 HEX HD.
3427	BOLT, 5/16-18x3-1/2 HEX HD.
3456	BOLT, 3/8-24x7 HEX HD.
3482	BOLT, 1/4-20x1-1/4 HEX HD.
3491	BOLT, NO. 8-32x5/8 HEX HD.
3570	BOLT, 1/2-13x1-1/4 HEX HD.
3625	BOLT, NO. 12-24x3/8 HEX HD.
3650	BOLT, 1/4-20x3 HEX HD.
3728B	BOLT, 1/4-20x1/2 HEX HD.
3765	BOLT, 1/4-28x5/8 HEX HD.
3775	BOLT, 3/8-16x2 HEX HD.
3782	BOLT, 7/16-14x1-1/4 HEX HD.
3782W	BOLT, 7/16-14x1/8 HEX HD.
3783	BOLT, 1/4-20x1-3/4 HEX HD.
3787	BOLT, 1/4-20x3/4 HEX HD.
3787W	BOLT, 1/4-20x3/4 HEX HD.
3854HW	BOLT, 7/16-14x1 HEX HD.
3950	BOLT, 1/2-20x4-1/4 HEX HD.
3960W	BOLT, 5/16-24x1 HEX HD.
3974HW	BOLT, 5/16-24x3/4 HEX HD.
3987	BOLT, 5/16-18x3/4 HEX HD.
3991	BOLT, 5/16-28x7/8 HEX HD.
4009	BOLT, 1/2-20x5-1/4 HEX HD.
4014W	BOLT, 5/16-24x1-1/4 HEX HD.
4017	BOLT, 5/16-18x1 HEX HD.
4036	BOLT, 5/16-24x1-1/4 HEX HD.
4036B	BOLT, 5/16-24x1-5/8 HEX HD.
4063W	BOLT, 5/16-24x1-5/8 HEX HD.
4085B	BOLT, 3/8-16x7/8 HEX HD.
4250	BOLT, 7/16-20x3-1/2 HEX HD.
4319	BOLT, 3/8-24x1 HEX HD.
4337W	BOLT, 3/8-24x1-1/4 HEX HD.
4376W	BOLT, 1/2-20x15/16 HEX HD.
4391	BOLT, 5/16-24x5/8 HEX HD.
4411	BOLT, 3/8-24x1-3/4 HEX HD.
4412	BOLT, 3/8-24x2-1/2 HEX HD.
4434W	BOLT, 3/8-24x3-1/4 HEX HD.
4451W	BOLT, 3/8-16x5-1/4 HEX HD.
4455	BOLT, 1/2x3.27 with 5/16-24
4725	BOLT, 5/16-24x2-3/4 HEX HD.
4734	BOLT, 5/16-18x1-1/4 HEX HD.
5405B	CARRIAGE BOLT, 1/4-20x3/4
5445W	CARRIAGE BOLT, 5/16-18x1-1/4
5450C	CARRIAGE BOLT, 5/16-18x1-1/2

COMMON HARDWARE

COTTER PINS

515	COTTER PIN, 1/16 DIA. X 1/2 LG.
520W	COTTER PIN, 1/8 DIA. x 1 LG.
534	COTTER PIN, 3/32 DIA. x 1 LG.
551	COTTER PIN, 1/8 DIA. X 1/2 LG.
559	COTTER PIN, 1/8 DIA. x 1-1/4 LG.
576	COTTER PIN, 1/8 DIA. x 1-3/4 LG.

NUTS

7512	LOCKNUT, 3/8-16x9/16x13/32 HEX.
7525	LOCKNUT, 5/16-18x11/32x1/2 HEX.
7590	NUT, NO. 6-32 HEX.
7608	NUT, NO. 8-32x1/8x5/16 HEX.
7608W	NUT, NO. 8-32x1/8x11/32 HEX.
7609W	LOCKNUT, NO. 8-32x3/16x3/8 HEX.
7624	LOCKNUT, NO. 10-24x1/4x3/8 HEX.
7634	NUT, NO. 10-32x1/8x5/16 BRASS HEX.
7638	NUT, NO. 10-32 HEX.
7676	NUT, 1/4-28x7/32x7/16 HEX.
7683	LOCKNUT, 1/4-28x5/16x7/16 HEX.
7686	LOCKNUT, 1/4-20x5/16x7/16 HEX.
7688	NUT, 1/4-20x7/32x7/16 HEX.
7689	JAMNUT, 1/4-20x5/32x7/16 HEX.
7710W	LOCKNUT, 5/16-18x1/4x1/2 HEX.
7725	LOCKNUT, 5/16-24x11/32x1/2 HEX.
7727	LOCKNUT, 5/16-24x1/4x1/2 HEX.
7728	CASTLE NUT, 5/16-24x15/32x1/2 HEX.
7729	LOCKNUT, 5/16-24, 2-WAY CENTER HEX.
7729W	LOCKNUT, 5/16-24x1/4x1/2 HEX.
7736	ACORN NUT, 5/16-24x19/32x9/16 HEX.
7737W	ACORN NUT, 1/4-20x15/32x7/16 HEX.
7739	NUT, SELF-LOCKING
7740	LOCKNUT, 5/16-18x17/64x1/2 HEX.
7741	LOCKNUT, 1/2-20x7/32x7/16 HEX.
7742	LOCKNUT, 1/4-20x7/32x7/16 HEX.
7748W	NUT, 5/16-18x1/4x1/2 HEX.
7753	NUT, 5/16-24x1/4x1/2 HEX.
7759	NUT, 3/8-24x1/2x5/16 HEX.
7763W	JAMNUT, 5/16-18x3/16x1/2 HEX.
7775	LOCKNUT, 3/8-24x7/16x9/16 HEX.
7778	LOCKNUT, 3/8-16x7/16x9/16 HEX.
7783	NUT, 3/8-16 HEX.
7783W	NUT, 3/8-16x5/16x9/16 HEX.
7800W	NUT, 3/8-24x5/16x9/16 HEX.
7807W	LOCKNUT, 3/8-32x3/32x9/16 HEX.
7836	NUT, 7/16-20x11/16x1/4 HEX.
7845	LOCKNUT, 1/2-20x7/16x3/4 HEX.
7867W	CASTLE NUT, 7/16-20
7874	CASTLE NUT, 1-12x7/8x1-1/2 HEX.
7880	NUT, 1/2-13 HEX.
7947W	CASTLE NUT, 5/8-18x1/2x15/16 HEX.
7960	LOCKNUT, 7/8-14
7993	LOCKNUT, 5/8-18x3/8x15/16 HEX.
7995	NUT, 5/8-18x3/8x15/16 HEX.
8119W	WING NUT, 1/4-20
8161	LOCKNUT, 15/16-18x7/16x1/2 HEX.
8162	LOCKNUT, 1/4-28x25/64x7/16 HEX.

WASHERS

5927	WASHER, .34x1.5x.09
5947	WASHER, 9/16
6099	WASHER, 1/4x7/16x1/16 STEEL
6150W	WASHER, 3/16x3/8x1/16 STEEL
6165W	WASHER, 3/16x3/8x1/16 STEEL
6173B	WASHER, 13/32x1-7/8x1/16 STEEL
6182W	WASHER, 3/16x7/16x1/32 STEEL
6192	WASHER, NO. 8x7/16x3/64
6220W	WASHER, 1/4x7/16x1/32 STEEL
6228W	WASHER, 1/4x1/2x1/16
6229W	WASHER, 5/16x1-1/16x1/16 STEEL
6240B	WASHER, 1/4x9/16x1/16 STEEL
6242W	WASHER, 1/4x9/16x1/32 STEEL
6257W	WASHER, 1/4x1-3/8x1/16 STEEL
6261	WASHER, 1/4x3/4x1/8 RUBBER
6266	WASHER, 5/16x7/8x1/8 RUBBER
6332B	WASHER, 5/16x15/16x1/16 STEEL
6333	WASHER, 5/16x7/8x5/64 STEEL
6341B	WASHER, 5/16x1-1/8x1/16 STEEL
6346	WASHER, 1/2x1-3/8x1/32 DELRIN
6375B	WASHER, 3/8x23/32x1/16 STEEL
6403B	WASHER, 3/8x5/8x1/32 STEEL
6415W	WASHER, 3/8x1-1/8x3/32 STEEL
6416	WASHER, 3/8x1x5/64 STEEL
6417W	WASHER, 3/8x1-1/8x1/8 STEEL
6418B	WASHER, 3/8x1-1/8x11/64 STEEL
6440B	WASHER, 13/32x5/8x1/32 STEEL
6522HB	WASHER, .455x1-1/8x1/8 STEEL
6568B	WASHER, 1/2x13/16x1/8 STEEL
6607W	WASHER, 3/8x29/32x5/32 STEEL
6655	WASHER, 5/8x1-1/2x1/8 STEEL
6655B	WASHER, 9/16x1x1/8 STEEL
6678W	WASHER, 3/8x29/32x5/32 STEEL
6684	WASHER, 27/32x2-1/8x1/32 NYLON
6698	WASHER, 5/8x1-7/16x1/16 BRONZE
6701	WASHER, 3/8x13/16x1/16 STEEL
6702	WASHER, 5/16x11/16x1/16 STEEL
6703	WASHER, 1/4x5/8x1/16 STEEL
6714W	WASHER, 5/8x1x1/32 STEEL
6716	WASHER, NO. 10x1/2x3/64 STEEL
6718	WASHER, 1/2x1-1/16x3/32 STEEL
6800	WASHER, 1/2x1-1/4x3/32 STEEL
6809	WASHER, 3/4x1x1/32 STEEL
7415	WASHER, 3/8x1-1/8x1/8 RUBBER
7416	WASHER, 5/16x1-3/8x9/32 RUBBER

NUMERICAL INDEX

Part No.	Page	Part No.	Page	Part No.	Page	Part No.	Page	Part No.	Page
358	7	2004	63	2818	21	3765	31	4008	3
496	29	2339	25		59		33		13
515	29		79		97	3767B	23	4009	9
	31	2355	77	2828W	45		53		39
	33	2361	75	2871W	69	3775	7	4014W	11
	41				97		13		47
	55	2362	77	2872W	97	3782	11	4017	17
	56						47		55
520W	39	2420	71	2887W	97	3783	49		56
534	33	2551W	15	3000	13	3787	3		63
	39		23		23		25		67
	99		27		85		55	4036	39
551	27		33	3204W	85		56		41
554	47		89		91		71		41
559	43	2595	31	3239W	43	3787W	53	4063W	41
	93	2612	79	3419	61	3854	49	4085B	41
	95	2615	77	3427	15	3950	55	4250	39
576	37	2617	77	3453	43	3960W	45	4319	45
610	27	2626	73	3456	39		53		47
	29	2633	13	3459	33	3974HW	41	4337W	59
	33	2659	33	3479	7		65	4391	55
1047	13	2664	13	3482	7	3987	27		56
1198	27	2667	81	3491	9		69	4401W	71
	29		97		23		73		31
1240W	17	2673	21	3502	23		75	4427W	31
1357W	55	2685W	5	3503	23	3991	7	4434W	55
	56			3570	59		29		57
	65	2745	51	3650	29		47	4451W	3
	71			3728	55		49	4455	33
1368W	13	2788	51		56		63		41
1608	81				89	3999	19	4725	41
1764W	31	2796W	41	3765	23	4008		4733	55
1784	53	2818	7						57
2004	61		19						

NUMERICAL INDEX

Part No.	Page	Part No.	Page	Part No.	Page	Part No.	Page	Part No.	Page
4733	93	6192	25	6440B	57	6716	13	7041	71
	95	6228W	19	6522HB	11		51		75
4734	15		27	6568B	55		53		77
5402	77	6229W	65		57		79		91
5404	77		97	6607W	39	6718	85		97
5445W	15	6240B	55	6642	5		9	7068	99
	97		57	6655	39	6809	59		9
5449	63	6242W	27	6678W	97		45		55
5487	77	6250	75	6698	39	7015	13	7069	57
5745	29	6257W	71	6701	31		79		59
5748	39	6266	69		43		3		21
5749	39		97		59		19		33
5919	97	6332B	23	6702	7		31	7112	85
	55		67		17		33		91
5927	63	6333	15		19		53		21
	69		27		21		55	7115	13
	97	6341B	39		27	7038	57	7118	5
5947W	97	6346	39		29		65		91
5950	43	6347	39		31		71		91
	45		39		33		75	7127	69
5965B	79	6375B	31		45		77		13
	79		33		63		89	7130W	27
6099	7	6388HB	3		69		91		29
6150W	51	6403B	55		73		7		91
	53		57		75	7039	11		55
6165W	27	6416	99	6703	3		47		57
	7		39		29		49	7230	91
6173B	13	6417W	39		31		7		53
	7		39		33	7041	11	7415	51
6182W	27	6418B	45		53		17		97
	71		47		75		19	7416	51
6192	13	6440B	43		77		21		51
	23		45		83		29	7512	39
			55	6714W	45		41		55
							47	7525	57
							49		59
							53		82
							55		82
							57		82
							63	7590	81
							65		81
							67	7607B	47
							69		47

NUMERICAL INDEX

Part No.	Page	Part No.	Page	Part No.	Page	Part No.	Page	Part No.	Page
7608	79	7736	65	7776W	31	8212	51	9051	43
7624	23	7737W	65	7778	7	8321	79	9070	5
	25	7739	59		13		51	9117	7
	27	7740	27		43	8480	65	9857	
	29		63		45		51		85
	31		81	7783	61		53		87
	51		97		63		65	9858	89
	53				99		73		
	79	7741	55		99	8481	67		85
7634	17		57	7800W	59	8483	45		87
	21	7742	15		27		97	9884	85
	85		23	7807W	29	8483	45	9911	85
7638	91		27		85		97		85
7676	19		29		91		97		87
	31		53	7836	39	8528W	79	9922	89
	33		55		47		51		85
	43		57	7845	55	8641B	65		87
	91		65		49		71		89
7683	23		71		55		71	9927	13
7686	23		83		57	8683	71		89
	25	7748	75	7867W	39		53	9955	24
	33		77		37		57	9958	15
7688	41	7748W	29	7874	59	8687	51		23
	55		63		43		81		27
	57		11	7880	5		91		29
	71	7753	39	7947W	13	8689	7	9963	31
	77		41		45		13		33
	91		47	7993	47		71	9993	21
7689W	89		67		49	8692	41		81
7710W	61		69	7995	71	8858	93	10006	87
7725	31		71		71	8880	95		89
	39		85	8139	7		15	10011	27
7727	33	7759	82		15	8997	7		29
	55		33	8161	99		7	10016	31
	57	7763W	39		15	9032	35		33
	71		55	8162	15		43		89
7728	41	7775	57		45	9033	43	10047	15
7729	41		99	8207	53	9045			
7736		7776W				9051			

NUMERICAL INDEX

Part No.	Page	Part No.	Page	Part No.	Page	Part No.	Page	Part No.	Page
10047	85	20002-84	5	24801-80	99	27133-82	19	27753-82	19
	89	20004-82A	13	24803-67	7	27158-84A	19	29072-80	13
11104	31	20014-67	13	24804-67	7	27227-81	19	29109-82	24
11141	7	20017-82	3	24811-63	13	27273-82	19	29124-84	24
11142	7		13		19	27274-85	19	29125-84	24
11144	3	22001-82	3	24818-52	21	27275-82	19	29126-84	24
11410	27	22003-82	3		67	27275-85	19	29127-84	24
11414	85	22004-82	3	25785-30A	31	27288-82A	19	29128-84	24
11417	65	22005-82	3	26825-84	25	27288-84	25	29129-84	24
11443	29	22006-82	3	26826-84A	25	27674-82	19	29130-84	24
11445	57	22445-63	3	26827-83	25	27682-82	19	29131-71	24
11720	3	22447-63	3	26828-83	25	27683-84	19	29139-83	24
12009	43	22448-63	3	26829-84	25	27684-82	19	29156-82	15
12011	13	22449-63	3	26830-84	25	27691-82	19	29159-84	23
12028A	37	22450-63	3	26831-83	25	27693-82	19	29278-82	71
12046	7	22587-63A	3	26832-83	23	27705-82	19	29279-84	53
12098	7	23698-82	5	26901-71B	21	27715-82	19	29280-84	53
16228-67	7	23703-82A	5	26905-59	21	27717-82	19	29941-81	15
	13	23707-82A	5	26906-59A	21	27720-82	19	30083-69C	15
16231-80	7	23708-82	5	26908-71B	21	27730-82	19		85
	99	23759-82	7	27020-80A	19	27731-82	19	30098-77	15
16232-70	99	23764-82	5		21	27734-82	19	30110-77	15
16241-70	99	23962-63C	5	27069-63B	21	27735-82	19	30111-77	15
16524-82	3	24200-63A	5	27099-84	21	27744-82	19	30152-77	15
16649-82	3	24493-82	7	27110-81	21	27745-82	19	30153-77	15
16780-63A	3	24495-82	7	27126-82	19	27752-83	19	30154-77	15
16784-82	3	24794-67	99	27131-82A	19	27753-82	19	30210-77	15
16785-82	3								

NUMERICAL INDEX

Part No.	Page	Part No.	Page	Part No.	Page	Part No.	Page	Part No.	Page
30351-77	15	31601-63A	17	36398-82A	9	40514-68	27	41833-82	31
30394-77	15		85		11	40516-68		41834-67	31
	85	31610-53	17	36410-82	11		27		33
30395-77	15	31981-82	17	36570-82	9	40518-68	27	41841-63	41
	85		85	36571-82		40518-85	27	42269-70	31
30442-77	15	32301-78C	17	36572-84	9	40520-63	27	42405-68	31
30443-77	15		85	36573-82	9	40522-63	27	42480-84	31
30444-77	15	32585-67	13	36574-82	9		29	42481-84	31
30445-77	15	32591-67C	13	36578-82B	9	40525-67	27	42482-63	31
30446-77	15	32661-70	13	36579-84	9	40530-80	27	42483-63	31
	85	32726-30A	13	36598-84	9	40532-68A	27	42488-63C	31
30446-77	15	33245-82A	11	38078-47	41	40533-68	27	42490-67	31
	85	33246-82	11	38713-82	55		29	42494-63B	31
30447-77	15	33247-82	11		57	40536-82	29	42501-67	31
30448-77	15	33248-82	11		89	40543-75	29	42602-78	33
30449-77	15	33249-82	11	40449-82	29	40970-83	35	42634-78	33
30461-77	15	33250-82	11	40450-78A	29	40971-83	35	42634-78A	31
	85	33251-82	11	40451-78	29	40972-83	35	42636-81	33
30491-80	13	33252-82	11	40455-78	29	40979-72	29	42643-78	31
	85	33254-82	11	40457-82	29	41199-66A	35		33
30508-71	13	33260-82	11	40498-70	27		37	42644-78	33
30860-77	15	33796-83	73	40498-85	27	41424-63	41	42645-78	33
30877-77	15	33797-83	73	40500-82	29	41427-71	41	42646-82	33
31067-63	67	33799-82	71	40503-68	27	41690-47	55	42647-82	33
31407-80A	45		91	40509-67	27		57	42648-82	33
31413-84	45	34865-82C	9	40511-78	27	41810-64A	41	42996-83	35
31422-72A	67	35389-72	15		29	41811-64A	41		37
31476-79	15	35961-52	5	40513-71	27	41812-64B	41	43103-72	35
	19								37
31551-72B	15	36398-82A		40514-68		41833-82	25		35

NUMERICAL INDEX

Part No.	Page	Part No.	Page	Part No.	Page	Part No.	Page	Part No.	Page
43103-72	37	44913-63B	63	47300-66A	55	50210-79	51	50278-67A	71
43104-72	35	44914-63A	63	47459-82	57	50225-73	55	50278-67B	71
	37	44915-63B	63		55		57	50279-67A	71
43105-83	35	44916-84	63	47524-66	57	50225-85	55	50279-67B	71
	37		59		55		57		71
43152-66	35	44917-63	63	47585-75A	57	50231-84	53	50280-63A	71
	37	44991-83	63		49	50240-83	51	50281-67	71
43156-63	35	45070-51A	63	47596-75	49	50241-67	71	50282-82	51
	37		31	47598-75A	39	50242-83	73	50284-84	53
43158-65	35	45529-74	43	47605-75	39	50243-67	55	50285-84	53
43480-75	37	45584-63C	45	47737-82	33		57	50286-84	51
43481-84	37	45585-84	53	47740-81A	31	50244-67	55	50287-72	71
43601-83	35	45586-84	53	47742-82	41	50246-83	73	50292-83	77
43602-83	35	45590-85	53	47743-63	31	50250-67	71	50293-83	77
43603-83	35	45593-70	43	47744-66	41	50250-83	77	50294-83	77
	37	45594-70	43	47755-82	41	50251-83	51	50295-83	77
43614-66A	35	45599-63	43	47807-82A	57	50261-83	77	50296-83	77
43646-79	37	45599-70	43	47808-83	57	50264-83	75	50297-83	77
43732-63A	35	45630-70	43	48300-60	37	50267-83	75	50298-83	77
43738-81	35	45632-70	43	49079-72	15	50268-83	75	50299-83	77
43805-78	49	45632-85	43		27	50271-65	55	50301-82	71
43874-81	35	45652-74	43	50200-82	71		57	50303-66A	73
43930-75	39	46047-70	43	50202-84	53	50274-83	75	50311-83	51
43933-75	39	46049-63A	43	50203-84	53	50275-66	55		53
43934-82	39	46941-80	51	50204-85	53		57		65
43935-75A	39	46943-83	73	50207-84	53	50275-67A	51	50332-84A	65
44911-63	63	47017-84	55	50208-84	53		71		71
44912-63A	63	47017-85	55	50209-83	51	50277-67	55	50334-85	71
44912-85	63		55		57		57	50336-85	71

NUMERICAL INDEX

Part No.	Page	Part No.	Page	Part No.	Page	Part No.	Page	Part No.	Page
50337-85	71	52631-84	67	54514-73	55	57081-67	47	57227-75A	49
50347-80	63	52632-84	69	54524-73	57	57082-67	49	58013-82	79
	71	52633-84	69		55		47	58023-82	79
50352-82	71	52900-83	67		57	57084-67	49	58034-74	79
50356-85	55	52910-83A	67	54564-73	93		47	58044-74	79
50357-83	57	52950-85	69	54566-73	95	57085-84A	49	58054-74	79
50359-82	71	53268-84	67		57		47	58059-74	79
50528-84	53	53268-85	53	57011-74	55	57088-67	49	58060-74	79
50529-84	53	53269-84	53	57021-74	57		47	58105-74	79
50578-75	57	53270-85	53	57026-84	45	57089-84A	49	58108-74	79
50583-72	51	53271-84	91	57032-84	45	57090-67	47	58415-84	53
	53		53	57037-84	45		49	58511-76	51
50700-83	57	53272-84	91	57063-67	45	57120-75	39	58512-76	51
50701-75B	51	53275-84	53	57064-69	47	57121-84	39	58513-76	51
50702-75B	57	53286-82	23	57065-67	47	57130-75	39	59245-83	73
50703-75	51	53469-84	51	57066-68	47	57135-75A	49	59598-84	71
50752-84	53	53472-84	65		49	57195-82A	39	59607-64A	71
50752-85	53	53473-84	65	57067-68	47	57196-78	39	60976-83	73
50753-84	53	53481-84	65		49	57202-74	45	61094-75	81
50972-75	39	53487-65	65	57068-67	47	57203-74	43	61095-84	23
	43	53491-65	65	57070-68	47		45	61117-71A	81
52083-72	41		55	57071-68	49	57204-74	43	61247-75	81
	55		57		47		45	61248-75	81
	57		65	57072-67	49	57206-84	39	61249-75	23
52107-72	67	53492-84	71		47	57207-84	39	61250-84	81
52329-85	67	53493-84	65	57073-67	47	57210-75	39	61251-75	81
52630-83	69	53499-84	65	57074-68	47	57215-75	39		
52630-84	67		65		49	57220-80	39		
52631-83	69	53547-82	65	57076-68	49		39		
					47	57226-75	49		
					49				

NUMERICAL INDEX

Part No.	Page	Part No.	Page	Part No.	Page	Part No.	Page	Part No.	Page
61252-80	81	62503-84	23	66323-80	83	70553-69	87	71514-68A	85
61252-83	81	62506-84	23	66388-64	83	70554-69	87	71762-82A	85
61253-83	51 77	62506-85	23	67814-80	89	70555-69	87		91
61259-84	51 75	62507-84	23	68018-85	89	70556-71	87	71766-82	91
61260-84	53	62507-85	23	70015-82	85	70558-71	87	71793-71	27
61261-84	71	62508-84	13 23	70015-84	87	70559-71	87	73074-61	99
61263-84	71	62511-84	23	70015-85	85 87	70576-68	89	73092-61B	31 33
61301-84	81	62512-84	23	70019-82	85	70581-73	85 87	74509-76	85 91
61301-85	81	62515-84	23	70019-84	87	70584-69	85 87	74510-85	85 91
61308-75	81	62516-84	23	70019-85	85 87		85 87		85 91
61309-75	81	62517-84	13 23	70026-82	85 87	70634-85	87	74592-68	85 91
61310-75	81	62518-84	23	70056-82	85 87	70636-85	87	74886-67	85 87
61311-83	81	62521-84	23	70062-82	85 87	70642-85	87		89
61564-82	71	62523-84	23	70081-82	85 87	71402-79	85 91	82002-83	63
61810-81A	81	62531-85	23	70164-69A	13 87	71488-82	29	82009-70A	99
61812-75	81	62532-85	23	70196-80	83 85	71492-82	29	82011-70	99
62346-75	81	62534-85	23		87	71502-83	91	82012-70	99
62350-63	81	63501-68	21 81		83 85	71506-63	27 29	82013-70	99
62480-85	23	63509-75	81		87		85	82014-70	99
62489-85	23	65232-84	82	70351-72	85 87	71507-83	91	82015-70	99
62494-85	23	65267-82	82	70458-80	83 85	71509-70	27 29	82702-82	93
62495-84A	23	65520-82	82		87		85	82703-82	93
62496-84	23	66086-80	83 85		87		85	82704-78	93
62497-84	23		83 85	70551-69	87	71510-70	27	82705-78	93
62499-84	23	66086-80	83	70552-69	87	71514-68A	27	82706-78	93
62503-84	85		85	70553-69	87		27	82707-82	93

NUMERICAL INDEX

Part No.	Page	Part No.	Page	Part No.	Page	Part No.	Page	Part No.	Page
82707-82	93	82815-83	95	83112-63A	93	89461-74	97		
82709-81	67	82823-67	95	83125-82	95	89464-74	97		
82712-78	93	82948-73	93	83126-73	95	89465-74	97		
82713-78	93	83004-72	55	83131-82	93	89466-74	97		
	95		57	83133-63A	93	89467-74	97		
82717-78	93	83032-73	93	83135-82	93	89472-74	97		
	95		95		95	89474-74	97		
82722-78	95	83033-73	93	83165-73	95	89475-74	97		
82724-78	93		95	83220-83	95	89519-82	97		
	95	83034-73	93	83221-83	95	91035-78	97		
82728-78	93		95	83222-83	95		61		
	95	83035-73	93	83223-83	95		63		
82730-78	93		95	83224-83	95	91071-84	59		
	95	83043-73	95	83225-83	95	91071-85	59		
82730-78	93		95	83226-83	95	91072-84	59		
	95	83051-63	93	83227-83	95	91072-85	59		
82731-78	93	83051-73	93	83975-37A	43	91073-84	59		
	95		95		93	91074-84	59		
82734-78	93	83072-73	93	83125-82	93	91083-84	59		
	95		95	85210-42A	55	91115-81	61		
82735-78	93	83073-73	93		57		63		
	95		95		99	91116-75	61		
82736-78	93	83074-73	93	85213-42A	55		63		
	95		95		57	91119-83	27		
82737-78	93	83085-73	93	89440-82	97	91817-68	89		
	95		95	89441-82	97	91818-68	89		
82748-78	95	83087-73	93	89444-82	97	91847-63B	81		
82749-78	93	83100-73	93	89457-74	97	91848-84	23		
	95		95	89458-74	97				
82770-78	93	83103-73	93	89461-74	97				
	95		95						
82772-82	93	83104-73	93						
	95		95						
82810-82	93	83106-63A	93						
	95		95						
	93	83112-63A	93						