



Parts Catalog

Gas & Electric ParCar
1987

PATENT NOTICE

Columbia ParCar products are manufactured under one or more of the following patents; US patents – 2986162, 2987934, 2998808, 3116089, 3144631, 3144860, 3226994, 3229792, 3434887, 3559773, 3673359, 3680403, 3683716, 3709317, Des. 225, 626.

Disclaimer

To the best knowledge of Columbia ParCar Corp., the material contained herein is accurate as of the date this publication was approved for printing. Columbia ParCar Corp. reserves the right to change the specifications, equipment, or design at any time without notice and without incurring obligation.

COLUMBIA ®
Columbia ParCar Corp.

350 N. Dewey • P.O. Box 30 • Reedsburg, WI 53959
Phone (608) 524-8888 • Toll Free 1 (800) 222-4653 • Fax (608) 524-8380
Web www.parcar.com • E-Mail info@parcar.com

©Copyright 1999, Columbia ParCar Corp.
All rights reserved. Printed in USA

GENERAL INFORMATION

This Parts Catalog has been prepared for your convenience when ordering parts for GASOLINE or ELECTRIC PAR-CAR Models G3, G4, and E3, E4. Index numbers shown in the illustrations correspond to index numbers in the parts list. Consult the illustrations when ordering parts so you are sure to get just what you want. In most cases only the latest parts are shown in the illustrations.

Number in parenthesis following description of part is the quantity needed for complete assembly shown in illustration. If there is no number in parenthesis, only one is used.

Prices of parts and accessories listed in this catalog are published separately in the latest PRICE LIST.

The following instructions should be followed carefully when ordering parts:

- Specify the correct part number for each item. Check the "Used On" column of the parts list which shows the model on which the part is used. Whenever in doubt about the model and year, refer to the Vehicle Identification Number on the frame.
- The Vehicle Identification Number (V.I.N.) is located on the frame. The V.I.N. (vehicle identification number) for the GASOLINE CAR models are as follows:

MODEL	FIRST TWO DIGITS (Model)	NEXT FIVE DIGITS (Sequential Number)	SECOND LAST DIGIT (Manufacturer)	LAST DIGIT (Model Season)
G3	3B	10000 and up	C-Columbia	7-1987
G4	5K			
E3	4B			
E4	6K			

Example: 1987 G3 (3B 12150 C7)
 1987 G4 (5K 12151 C7)
 1987 E3 (4B 12152 C7)
 1987 E4 (6K 12153 C7)

- Part numbers are to be used when ordering by TELEGRAM or CABLE.
- When ordering parts use our Service Parts order form for all parts. The use of these forms will enable us to fill and ship your order more promptly. These forms are furnished upon request.
- Do not order golf cars or advertising matter on Parts Order Forms. Write nothing on the order form except the order itself.
- Freight, UPS and Parcel Post orders should be on separate order forms.
- For your own records, number and date all orders; keep a carbon for future reference.

NOTE: "E" indicates Early Models, "L" indicates Late Models
 "*" indicates latest model year shown on manual cover

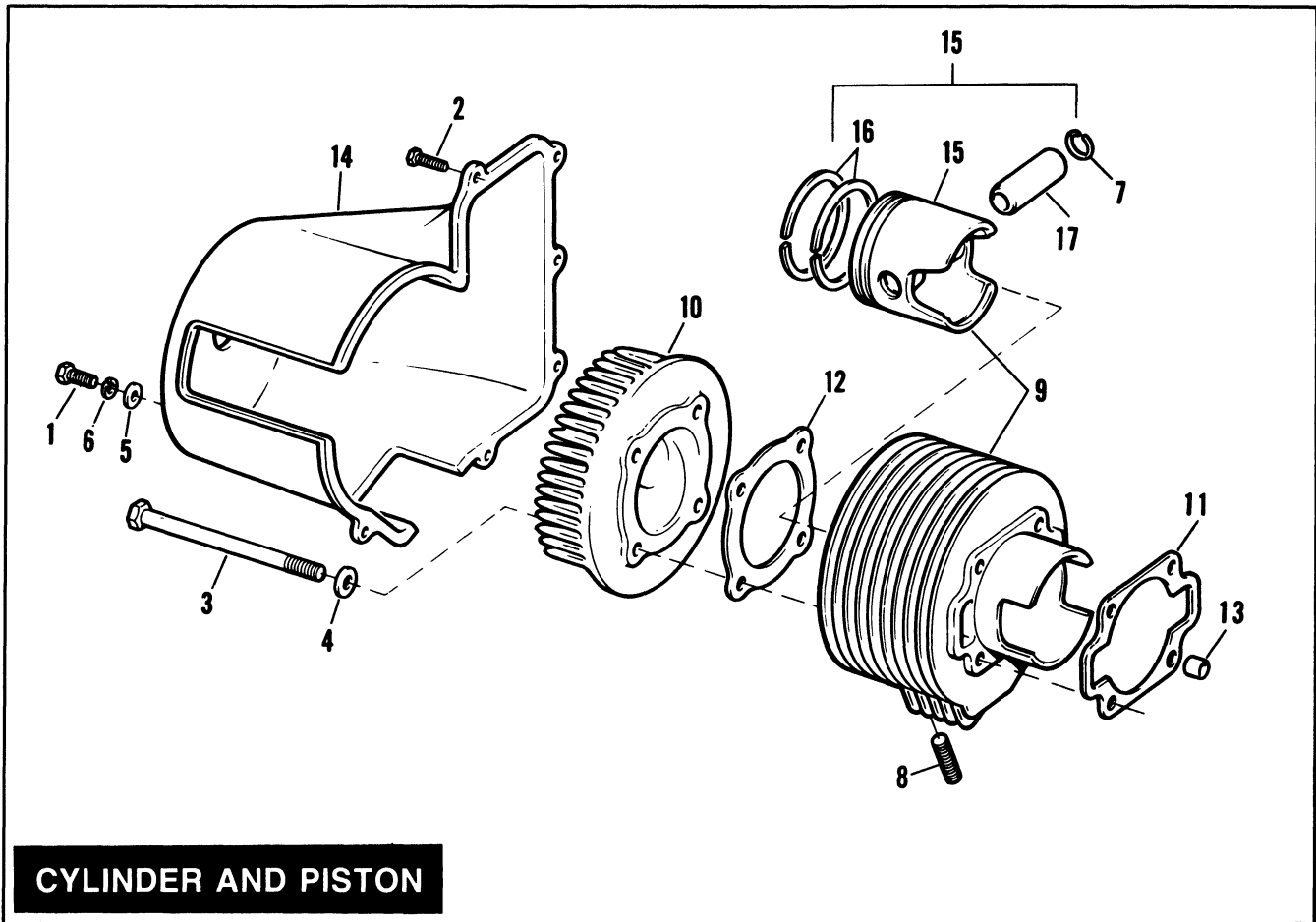
ALPHABETICAL INDEX

Accelerator Pedal – G3, E3	20	Intake Manifold	11
Accelerator Pedal – G4, E4	22	Mats, Bag Well – G3, G4	50
Air Cleaner	17, 18	Mats, Floor – G3, E3	42
Axle, Rear – G3, G4	61	Mats, Floor – G4, E4	40
Axle, Front – G3, E3	28	Motor, Traction – E4, E3	63
Bag Holders	48	Muffler	55
Battery	56, 57	Numerical Index	74
Belt	5, 6, 9	Oil Injection	16
Beverage Holder – G4, E4	42	Oil Pump	16
Body, Rear	50	Oil Tank	16
Brake Assembly – G3, E3	32	Piston	2
Brake Assembly – G4, E4	32	Reed Valve	15
Brake Pedal – G3, E3	24	Regulator, Voltage	57, 59
Brake Pedal – G4, E4	26	Score Card Holder – G3, E3	35
Bumper, Front – G3, E3	46	Score Card Holder – G4, E4	39
Bumper, Rear	47	Seats	50
Buzzer, Reverse	57, 59	Shock Absorber	44
Carburetor	11	Solenoid Bank 87 – E4, E3	65
Carburetor – Whl. 9	13	Spark Coil and Cable	8, 57
Choke	19	Spark Plug	8, 57
Circuit Breaker	7, 57, 59	Stabilizer – G4, G3	66
Connecting Rod	3	Starter-Generator	9, 57
Control Panel – G3, E3	42	Steering Gear – G3, E3	35
Control Panel – G4, E4	40	Steering Gear – G4, E4	37
Crankcase	4	Steering Tiller – G3	34
Crankshaft	3	Steering Wheel – G3, E3	35
Cylinder	2	Steering Wheel – G4, E4	39
Differential – G3, G4	61	Suntop, Soft – G4, E4	68
Electrical	57, 59	Suntop, Hard – G4, E4	70
Exhaust System	55	Suspension, Front – G4	30
Fan	7	Suspension, Rear	44
Fork, Front – G3	33	Switches	59
Fork, Rear	44	Tank, Fuel	53
Frame	44	Terminals	57, 59
Fuel Pump	15	Tiller, Steering – G3	34
Fuel Tank	53	Tires	29
Gears, Differential – G3, G4	61	Top, Sun	68, 70
Generator	9	Tow Bar – G3, E3	66
Governor	19	Tow Bar – G4, E4	67
Handrail	50	Transmission – Primary	6
Hardware, Common	72	Transmission – Secondary	5
Housing, Front – G3, E3	42	Wheels	28
Housing, Front – G4, E4	40	Windshield – G4, E4	52
Hub Caps	29	Wiring – G4, G3	57
Ignition Coil	8, 57	Wiring Harness	58
Index, Numerical	74		

PATENT NOTICE

Columbia PARCAR products are manufactured under one or more of the following patents:
 U.S. Patents – 2986162, 2987934, 2998808, 3116089, 3144631, 3144860, 3226994,
 3229792, 3434887, 3559773, 3673359, 3680403, 3683716, 3709317, Des. 225,626.

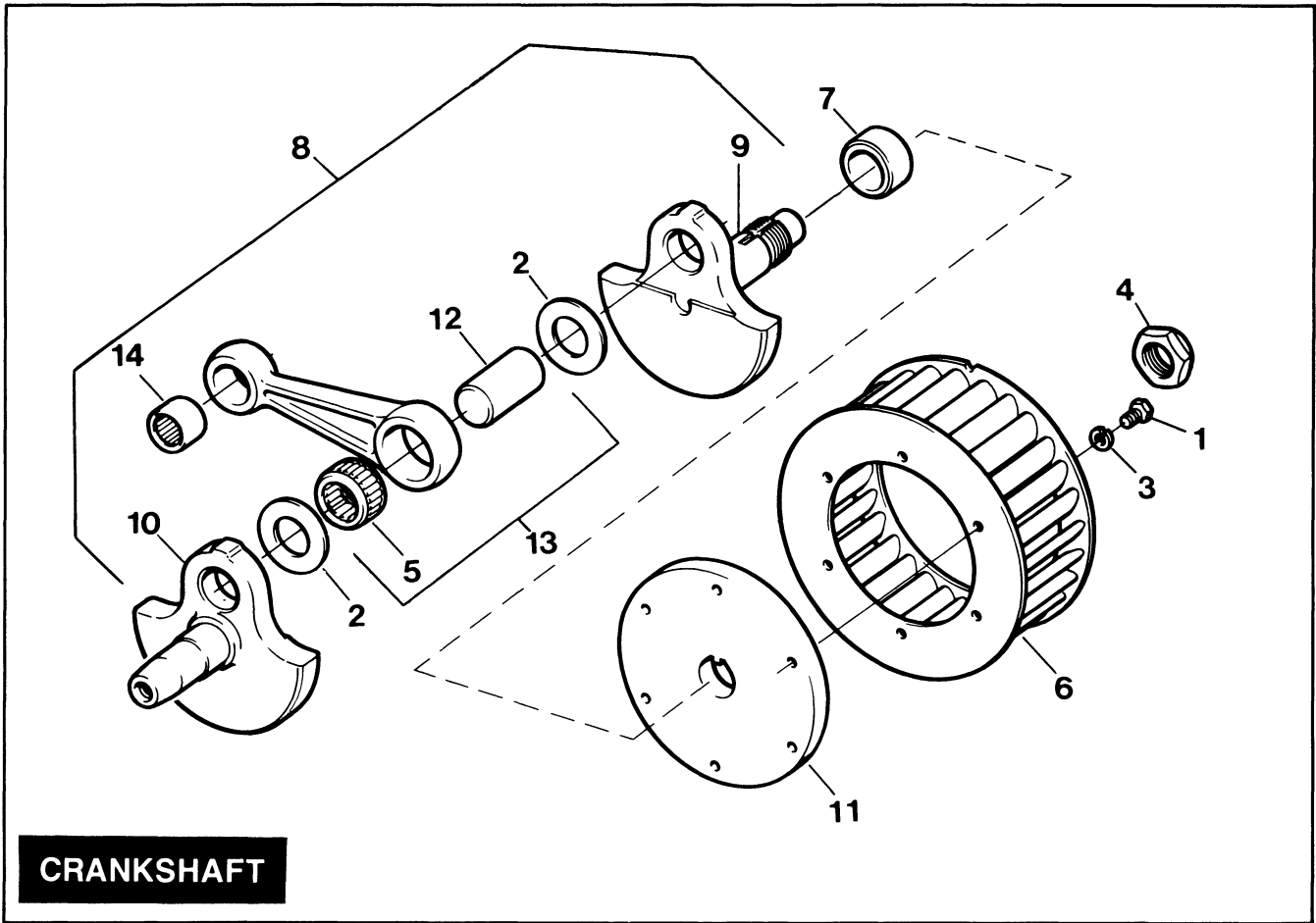
To the best knowledge of Columbia PARCAR Corp., the material contained herein is accurate as of the date of this publication was approved for printing. Columbia PARCAR reserves the right to change specifications, equipment, or design at any time without notice and without incurring obligation.



CYLINDER AND PISTON

CYLINDER AND PISTON

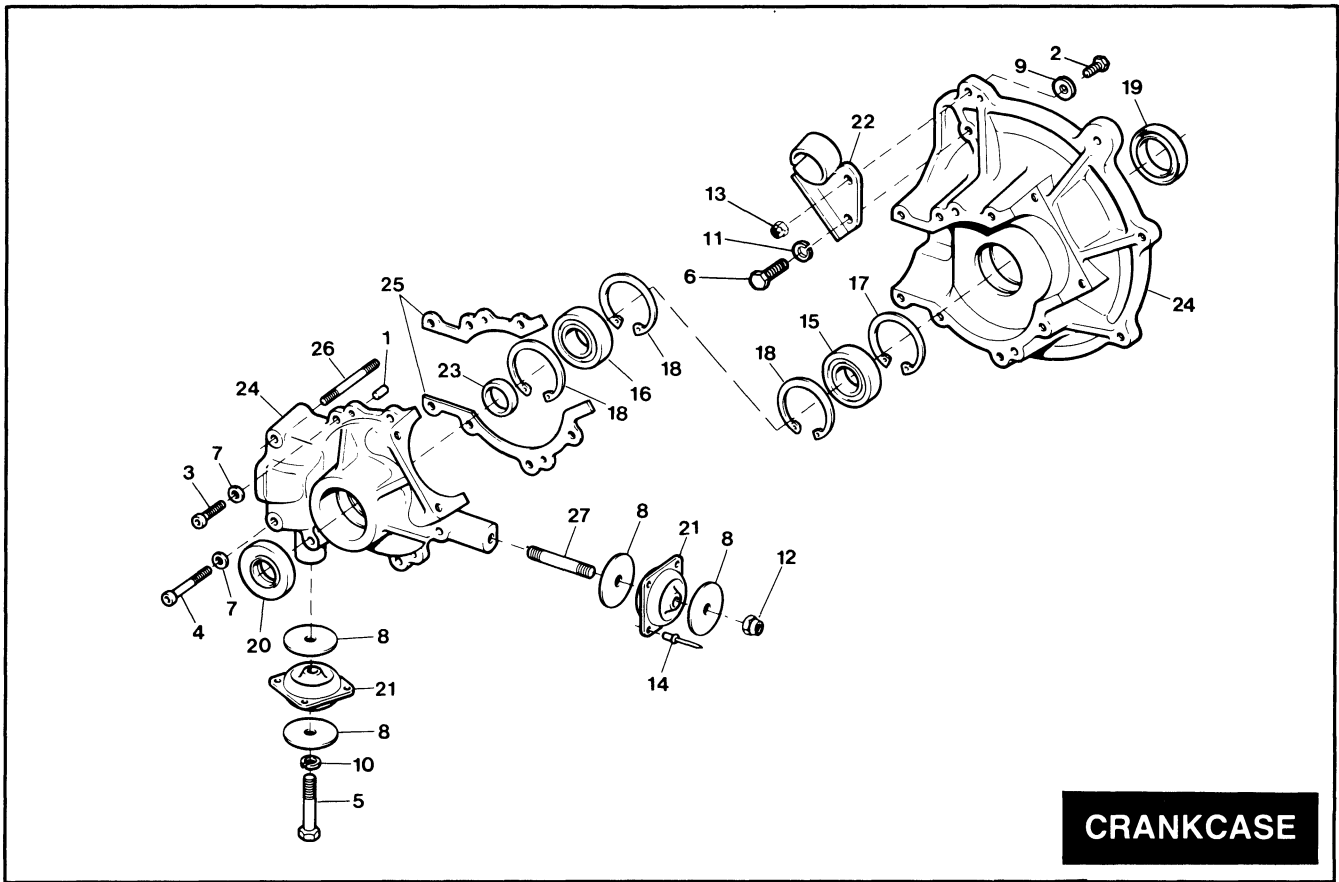
INDEX NO.	PART NO.	NAME	USED ON
1	3787	BOLT (2)	87 to * G3, G4
2	4008	SCREW (5)	87 to * G3, G4
3	4451W	BOLT (4)	87 to * G3, G4
4	6388HB	WASHER (4)	87 to * G3, G4
5	6703	WASHER (2)	87 to * G3, G4
6	7036	LOCKWASHER (2)	87 to * G3, G4
7	11144	LOCK RING, PISTON PIN (2)	87 to * G3, G4
8	11720	STUD, CYLINDER EXHAUST PORT (2)	87 to * G3, G4
9	16524-82	MATCHED CYLINDER AND PISTON, WITH RINGS AND PIN	87 to * G3, G4
10	16649-82	CYLINDER HEAD	87 to * G3, G4
11	16780-63A	GASKET, CYLINDER BASE	87 to * G3, G4
12	16784-82	GASKET, CYLINDER HEAD	87 to * G3, G4
13	16785-82	SPACER, CYLINDER TO CRANKCASE	87 to * G3, G4
14	20017-82A	AIR SHROUD	87 to * G3, G4
15	22001-82	PISTON AND RING ASSEMBLY, STANDARD	87 to * G3, G4
	22003-82	PISTON AND RING ASSEMBLY, .010 O.S.	87 to * G3, G4
	22004-82	PISTON AND RING ASSEMBLY, .020 O.S.	87 to * G3, G4
	22005-82	PISTON AND RING ASSEMBLY, .030 O.S.	87 to * G3, G4
	22006-82	PISTON AND RING ASSEMBLY, .040 O.S.	87 to * G3, G4
16	22445-63	PISTON RING, STANDARD (2)	87 to * G3, G4
	22447-63	PISTON RING, .010 O.S. (2)	87 to * G3, G4
	22448-63	PISTON RING, .020 O.S. (2)	87 to * G3, G4
	22449-63	PISTON RING, .030 O.S. (2)	87 to * G3, G4
	22450-63	PISTON RING, .040 O.S. (2)	87 to * G3, G4
17	22587-63A	PISTON RING	87 to * G3, G4



CRANKSHAFT

CRANKSHAFT

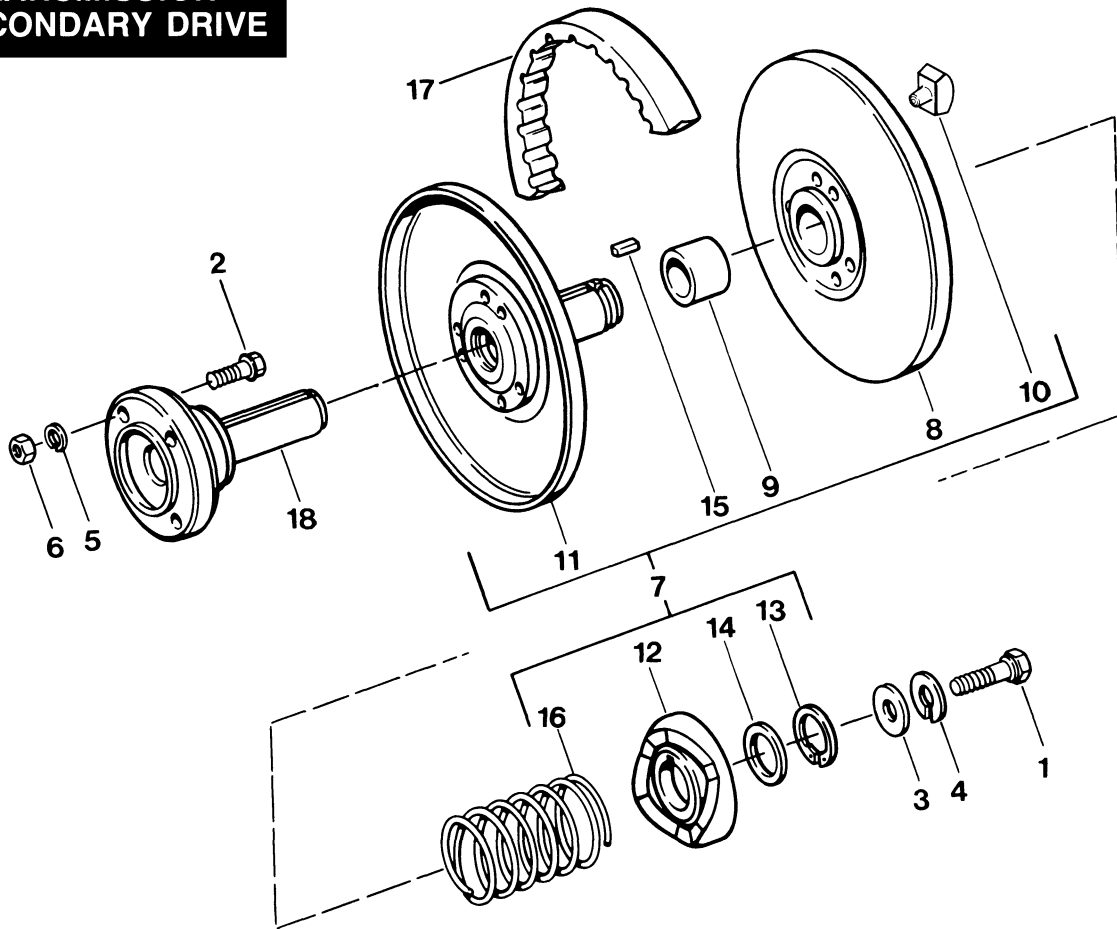
INDEX NO.	PART NO.	NAME	USED ON
1	2685W	BOLT (6)	87 to * G3, G4
2	6642	THRUST WASHER (2)	87 to * G3, G4
3	7118	LOCKWASHER (6)	87 to * G3, G4
4	7960	NUT	87 to * G3, G4
5	9070	NEEDLE BEARING, CRANKPIN	87 to * G3, G4
6	20002-84	BLOWER FAN	87 to * G3, G4
7	23698-82	SPACER, CRANKSHAFT, FAN SIDE	87 to * G3, G4
8	23703-82A	CRANKSHAFT ASSEMBLY, WITH PIN, ROD, AND BEARINGS	87 to * G3, G4
9	23707-82A	CRANKSHAFT, FAN SIDE	87 to * G3, G4
10	23708-82	CRANKSHAFT, TRANSMISSION SIDE	87 to * G3, G4
11	23764-82	FAN HUB KIT	87 to * G3, G4
12	23962-63C	CRANKPIN	87 to * G3, G4
13	24200-63A	CONNECTING ROD ASSEMBLY	87 to * G3, G4
14	35961-52	NEEDLE BEARING, PISTON PIN	87 to * G3, G4



CRANKCASE

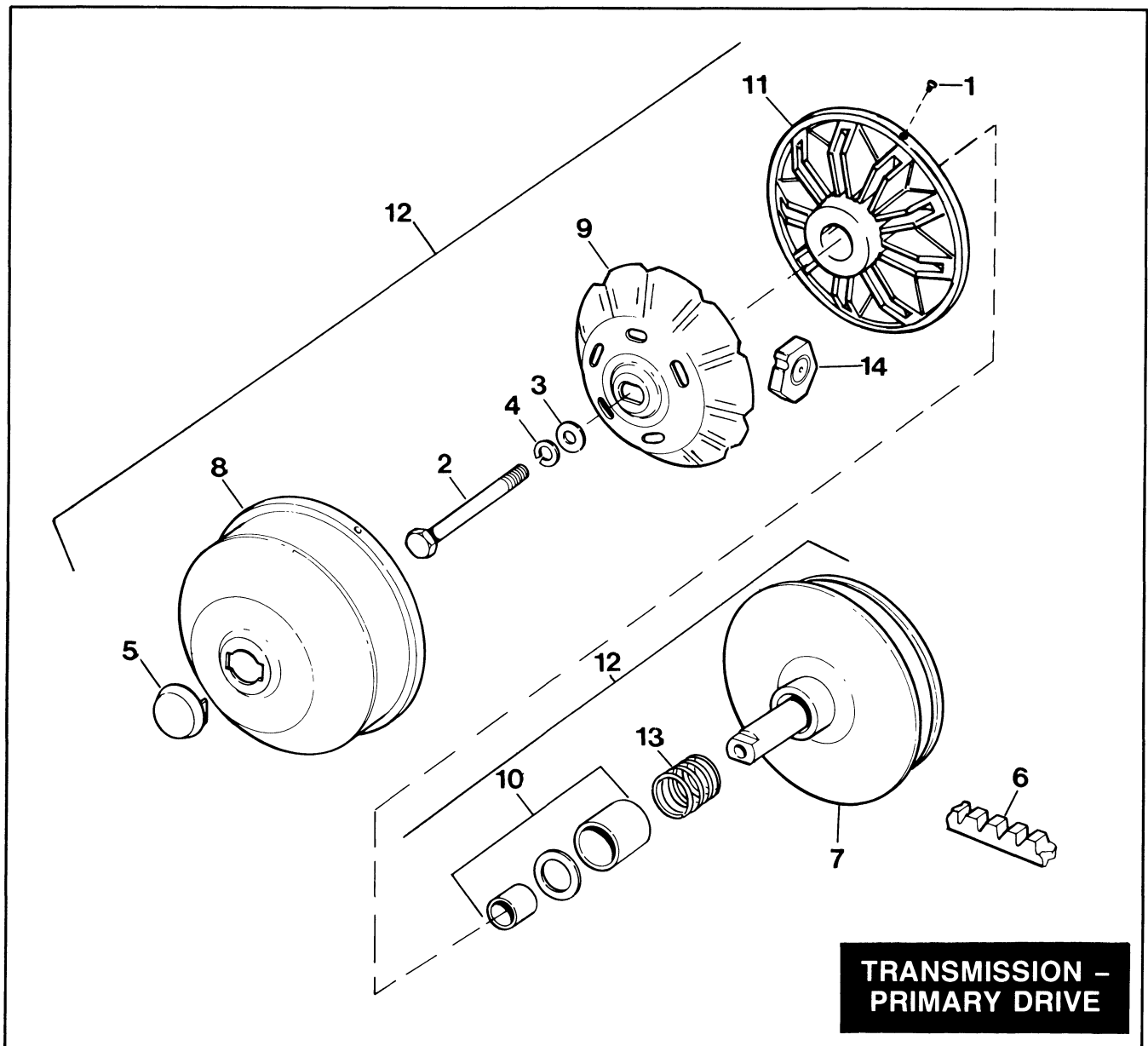
INDEX NO.	PART NO.	NAME	USED ON
1	358	DOWEL PIN (4)	87 to * G3, G4
2	2818	BOLT 5/16-18×1-1/2	87 to * G3, G4
3	3479	SCREW (2)	87 to * G3, G4
4	3482	SCREW (4)	87 to * G3, G4
5	3775	BOLT	87 to * G3, G4
6	3991	BOLT	87 to * G3, G4
7	6099	WASHER (2)	87 to * G3, G4
8	61738	WASHER (4)	87 to * G3, G4
9	6702	WASHER 5/16	87 to * G3, G4
10	7038	LOCKWASHER	87 to * G3, G4
11	7041	LOCKWASHER 5/16	87 to * G3, G4
12	7778	LOCKNUT	87 to * G3, G4
13	8161	LOCKNUT	87 to * G3, G4
14	8689	POP RIVET	87 to * G3, G4
15	9032	BEARING, CRANKCASE, FAN SIDE	87 to * G3, G4
16	9117	ROLLER BEARING, CRANKCASE, TRANSMISSION SIDE	87 to * G3, G4
17	11141	RETAINING RING, CRANKCASE, FAN SIDE TAPERED	87 to * G3, G4
18	11142	RETAINING RING, CRANKCASE, TRANSMISSION SIDE (2), FAN SIDE (1)	87 to * G3, G4
19	12046	OIL SEAL, CRANKCASE, FAN SIDE	87 to * G3, G4
20	12098	OIL SEAL, CRANKCASE, TRANSMISSION SIDE	87 to * G3, G4
21	16228-67	ENGINE MOUNT (4)	87 to * G3, G4
22	16231-80	BRACKET, SNUBBER BAR	87 to * G3, G4
23	23759-82	PRESS RING, CRANKCASE, TRANSMISSION SIDE	87 to * G3, G4
24	24493-82	SET OF CRANKCASES	87 to * G3, G4
25	24495-82	GASKET, CRANKCASE	87 to * G3, G4
26	24803-67	STUD, 1/4-28×3-1/4LG.	87 to * G3, G4
27	24804-67	STUD, 3/8-16×2-7/16LG.	87 to * G3, G4

TRANSMISSION – SECONDARY DRIVE



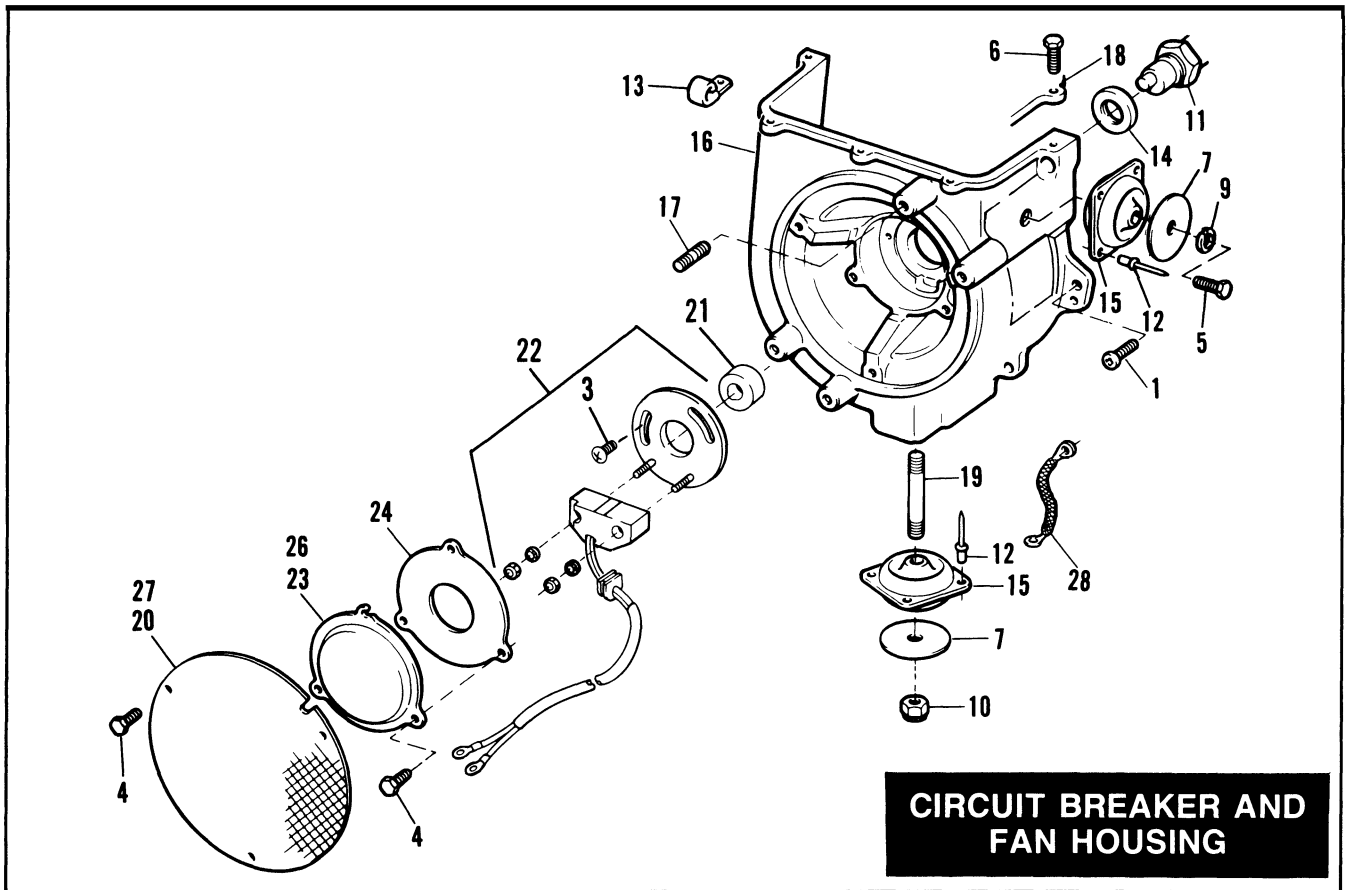
TRANSMISSION – SECONDARY DRIVE

INDEX NO.	PART NO.	NAME	USED ON
1	3782	BOLT	87 to * G3, G4
2	4014W	BOLT (4)	87 to * G3, G4
3	6522HB	WASHER	87 to * G3, G4
4	7039	LOCKWASHER	87 to * G3, G4
5	7041	LOCKWASHER (4)	87 to * G3, G4
6	7753	NUT (4)	87 to * G3, G4
7	33245-82A	TRANSMISSION SECONDARY DRIVE, COMPLETE	87 to * G3, G4
8	33246-82	FLOATING FLANGE ASSEMBLY	87 to * G3, G4
9	33247-82	BEARING, FLOATING FLANGE	87 to * G3, G4
10	33248-82	BUTTON AND ROLL PIN ASSEMBLY (3)	87 to * G3, G4
11	33249-82	SECONDARY FLANGE AND POST	87 to * G3, G4
12	33250-82	CAM	87 to * G3, G4
13	33251-82	RETAINING RING	87 to * G3, G4
14	33252-82	WASHER	87 to * G3, G4
15	33254-82	KEY	87 to * G3, G4
16	33260-82	SPRING, YELLOW	87 to * G3, G4
17	36398-82A	BELT, TRANSMISSION	87 to * G3, G4
18	36410-82	HUB, REAR FLANGE	87 to * G3, G4



TRANSMISSION - PRIMARY DRIVE

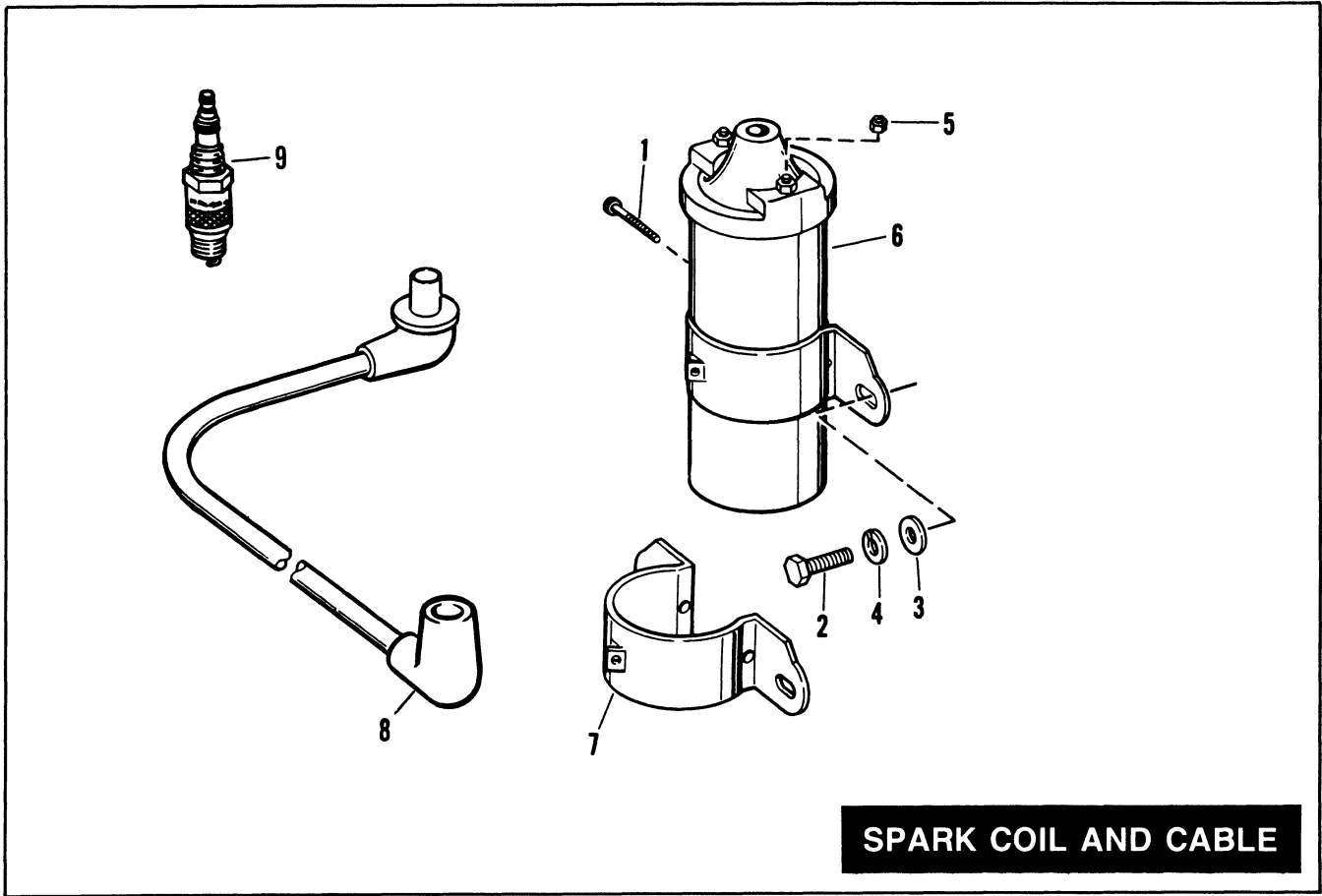
INDEX NO.	PART NO.	NAME	USED ON
1	3491	SCREW (3)	87 to * G3, G4
2	4009	BOLT	87 to * G3, G4
3	6718	WASHER	87 to * G3, G4
4	7068	LOCKWASHER	87 to * G3, G4
5	34865-82C	PLUG, OUTER COVER	87 to * G3, G4
6	36398-82A	BELT, PRIMARY DRIVE	87 to * G3, G4
7	36570-82	FLANGE, FIXED FACE WITH STEM	87 to * G3, G4
8	36571-82	COVER, LOCATING GOVERNOR	87 to * G3, G4
9	36572-84	DRIVE COVER, FLUTED	87 to * G3, G4
10	36573-82	KIT, BEARINGS AND WASHER	87 to * G3, G4
11	36574-82	FLOATING FLANGE, COMPLETE WITH BEARINGS	87 to * G3, G4
12	36578-82B	PRIMARY DRIVE ASSEMBLY	87 to * G3, G4
13	36579-84	SPRING, PURPLE	87 to * G3, G4
14	36598-84	WEIGHT, BLUE WITH 7/8" INSERT (6)	87 to * G3, G4



CIRCUIT BREAKER AND FAN HOUSING

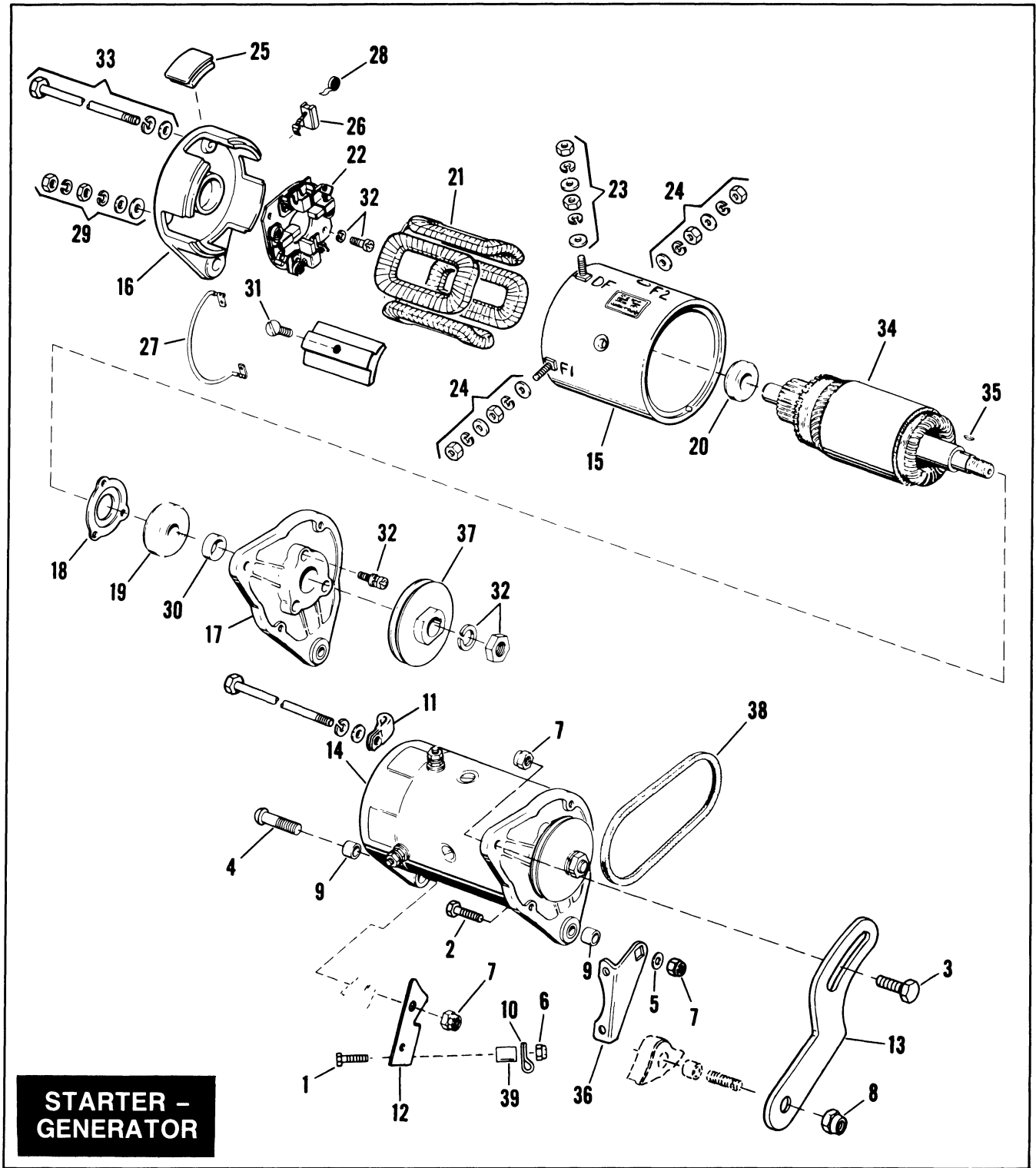
INDEX NO.	PART NO.	NAME	USED ON
1	1370-W	SCREW (4)	87 to * G3, G4
2	2501	SCREW, GROUND STRAP TO FRAME	87 to * G3, G4
3	2633	SCREW	87 to * G3, G4
4	3000	SCREW (6)	87 to * G3, G4
5	3775	BOLT	87 to * G3, G4
6	4008	SCREW (5)	87 to * G3, G4
7	6173B	WASHER (2)	87 to * G3, G4
8	7115	LOCKWASHER, GROUND STRAP	87 to * G3, G4
9	7130W	LOCKWASHER	87 to * G3, G4
10	7778	LOCKNUT	87 to * G3, G4
11	7960	NUT	87 to * G3, G4
12	8689	POP RIVET	87 to * G3, G4
13	9927	CABLE CLIP	87 to * G3, G4
14	12011	OIL SEAL	87 to * G3, G4
15	16228-67	ENGINE MOUNT	87 to * G3, G4
16	20004-82A	FAN HOUSING ASSEMBLY	E87 G3, G4
	20006-87	FAN HOUSING ASSEMBLY	L87 to * G3, G4†
17	20014-67	STUD, 5/16-18×1-3/16 (4)	87 to * G3, G4
18	20017-82	AIR SHROUD	87 to * G3, G4
19	24804-67	STUD, 3/8-16×2-7/16 - MOUNTING	87 to * G3, G4
20	29072-80	SCREEN, FAN (W/O OIL INJECTION)	87 to * G3, G4
21	30500-86	IGNITION ROTOR	87 to * G3, G4
22	30509-86	IGNITION MODULE	87 to * G3, G4
23	32585-67	INSPECTION COVER (W/O OIL INJECTION)	87 to * G3, G4
24	32591-67C	GASKET, INSPECTION COVER (W/O OIL INJECTION)	87 to * G3, G4
25	50311-83	WASHER (2)	87 to * G3, G4
26	62508-84	INSPECTION COVER (OIL INJECTION)	87 to * G3, G4
27	62517-84	SCREEN, FAN (OIL INJECTION)	87 to * G3, G4
28	70164-87	GROUND CLAMP, ENGINE MOUNT	87 to * G3, G4

† STARTING WITH VIN #5K22655C7
7K20057C7



SPARK COIL AND CABLE

INDEX NO.	PART NO.	NAME	USED ON
1	1240W	SCREW	87 to * G3, G4
2	4017	BOLT (2)	87 to * G3, G4
3	6702	WASHER (2)	87 to * G3, G4
4	7041	LOCKWASHER (2)	87 to * G3, G4
5	7634	NUT (BRASS) (2)	87 to * G3, G4
6	31601-63A	SPARK COIL	87 to * G3, G4
7	31610-53A	BRACKET, SPARK COIL	87 to * G3, G4
8	31981-82	SPARK PLUG CABLE	87 to * G3, G4
9	32301-78C	SPARK PLUG L92YC	87 to * G3, G4

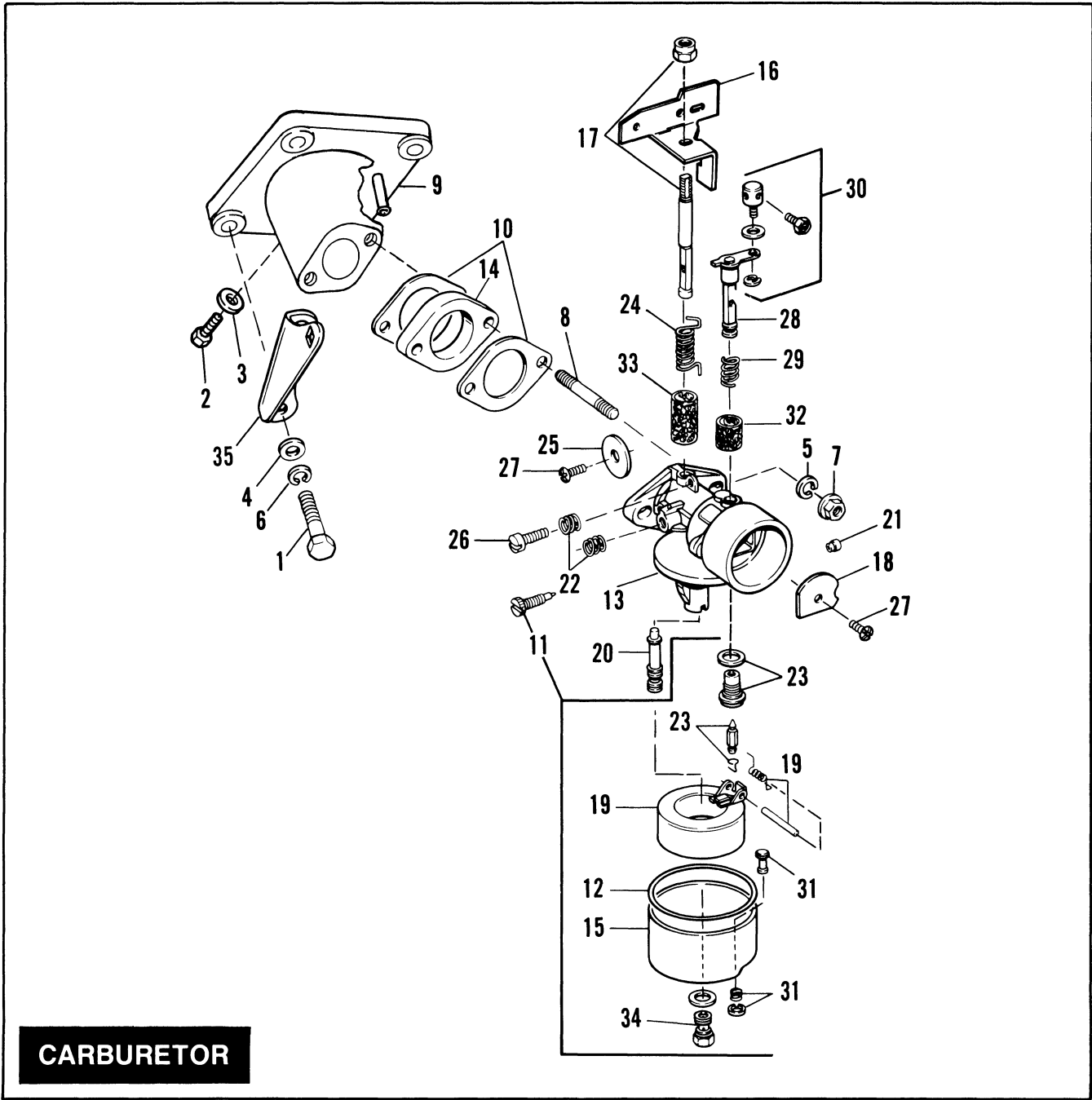


STARTER - GENERATOR

INDEX NO.	PART NO.	NAME	USED ON
1	2551W	BOLT	87 to * G3, G4
2	3427	BOLT	87 to * G3, G4
3	4734	BOLT	87 to * G3, G4
4	5445W	CARRIAGE BOLT	87 to * G3, G4
5	6333	WASHER	87 to * G3, G4

STARTER – GENERATOR (CONTINUED)

INDEX NO.	PART NO.	NAME	USED ON
6	7742	LOCKNUT	87 to * G3, G4
7	8161	LOCKNUT (3)	87 to * G3, G4
8	8162	LOCKNUT	87 to * G3, G4
9	8997	BUSHING (2)	87 to * G3, G4
10	9958	CABLE CLAMP (1)	87 to * G3, G4
11	10047	CLIP	87 to * G3, G4
12	29156-82	BRACKET, CABLES	87 to * G3, G4
13	29941-81	STRAP, STARTER – GENERATOR	87 to * G3, G4
14	30083-69C	STARTER – GENERATOR	87 to * G3, G4
15	30098-77	FRAME WITH FIELD COILS	87 to * G3, G4
16	30110-77	COVER, COMMUTATOR END INCLUDES A1 & A2 TERMINAL KITS	87 to * G3, G4
17	30111-77	COVER, DRIVE END	87 to * G3, G4
18	30152-77	PLATE, DRIVE END BEARING	87 to * G3, G4
19	30153-77	BALL BEARING, DRIVE END	87 to * G3, G4
20	30154-77	BALL BEARING, COMMUTATOR END	87 to * G3, G4
21	30210-77	FIELD COIL ASSEMBLY, WITH TERMINAL BOLTS	87 to * G3, G4
22	30351-77	BRUSH HOLDER, WITH BRUSHES, SPRINGS AND WIRES	87 to * G3, G4
23	30394-77	HARDWARE KIT OF TERMINAL	87 to * G3, G4
24	30395-77	HARDWARE KIT, F1 & F2 TERMINALS	87 to * G3, G4
25	30442-77	BRUSH INSPECTION COVER (4)	87 to * G3, G4
26	30443-77	BRUSH (4)	87 to * G3, G4
27	30444-77	WIRE, BRUSH CONNECTING (2)	87 to * G3, G4
28	30445-77	BRUSH SPRING	87 to * G3, G4
29	30446-77	HARDWARE KIT, A1 & A2 TERNIMALS	87 to * G3, G4
30	30447-77	SPACER, DRIVE END	87 to * G3, G4
31	30448-77	SCREW, POLE SHOE (4)	87 to * G3, G4
32	30449-77	HARDWARE KIT, INCLUDES HARDWARE FOR PULLEY, BRUSH HOLDER AND BEARING PLATE	87 to * G3, G4
33	30461-77	THRU-BOLT, WITH WASHERS & LOCKWASHERS (2) ..	87 to * G3, G4
34	30860-77	ARMATURE, WITH BEARINGS, SPACER AND BEARING PLATE	87 to * G3, G4
35	30877-77	WOODRUFF KEY, PULLEY	87 to * G3, G4
36	31476-79	BRACKET	87 to * G3, G4
37	31551-72B	PULLEY, 2.62 DIA.	87 to * G3, G4
38	35389-72	V-BELT	87 to * G3, G4
39	49079-72	SPACER	87 to * G3, G4



CARBURETOR

CARBURETOR

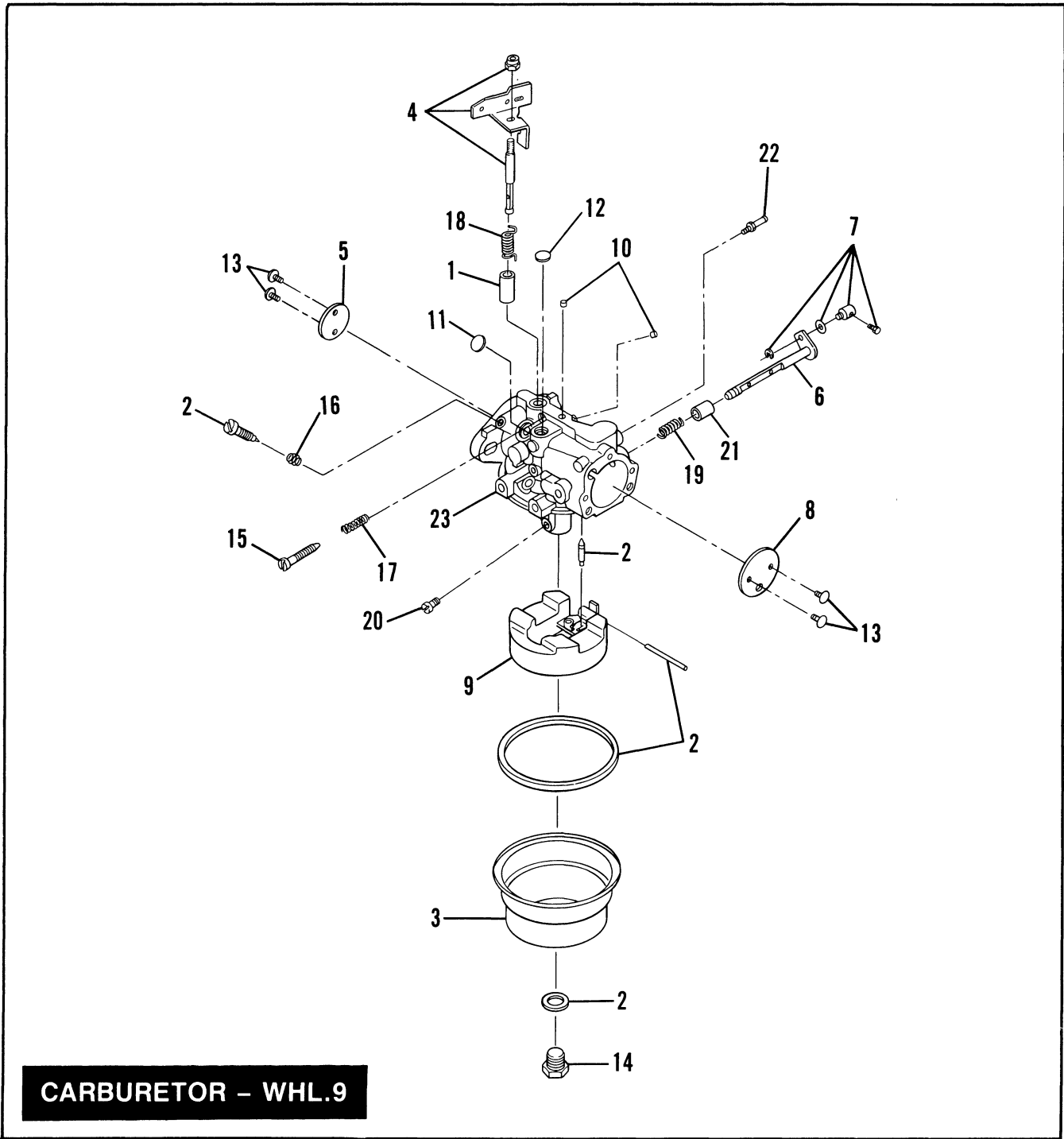
3B-10001-C7 THRU 3B-10022-C7
 5K-10001-C7 THRU 5K-10083-C7
 5K 20001-C7 THRU 5K-20675-C7

INDEX NO.	PART NO.	NAME	USED ON
1	2818	BOLT (4)	87 to * G3, G4
2	3999	SCREW, MANIFOLD PLUG (W/O OIL INJECTION)	87 to * G3, G4
3	6228W	WASHER, MANIFOLD PLUG (W/O OIL INJECTION)	87 to * G3, G4
4	6702	WASHER (4)	87 to * G3, G4

CARBURETOR (CONTINUED)

3B-10001-C7 THRU 3B-10022-C7
 5K-10001-C7 THRU 5K-10083-C7
 5K 20001-C7 THRU 5K-20675-C7

INDEX NO.	PART NO.	NAME	USED ON
5	7036	LOCKWASHER (2)	87 to * G3, G4
6	7041	LOCKWASHER (2)	87 to * G3, G4
7	7676	NUT (2)	87 to * G3, G4
8	24811-63	STUD, CARBURETOR MOUNTING (2)	87 to * G3, G4
9	27020-80A	INTAKE MANIFOLD	87 to * G3, G4
10	27126-82	GASKET, CARBURETOR (2)	87 to * G3, G4
11	27131-82A	REPAIR PARTS KIT, CARBURETOR	87 to * G3, G4
12	27133-82	GASKET KIT	87 to * G3, G4
13	27158-84A	CARBURETOR, COMPLETE	87 to * G3, G4
14	27227-81	INSULATION BLOCK, CARBURETOR	87 to * G3, G4
15	27273-82	FUEL BOWL ASSEMBLY	87 to * G3, G4
16	27274-85	THROTTLE SHAFT LEVER (WITH & W/O OIL INJECTION)	87 to * G3, G4
17	27275-82	THROTTLE SHAFT ASSEMBLY	87 to * G3, G4
18	27674-82	CHOKE VALVE DISC	87 to * G3, G4
19	27682-82	FLOAT ASSEMBLY	87 to * G3, G4
20	27683-84	NOZZLE	87 to * G3, G4
21	27684-82	PLUG KIT	87 to * G3, G4
22	27691-82	SPRING, IDLE SPEED AND THROTTLE ADJUSTMENT (2)	87 to * G3, G4
23	27693-82	FUEL VALVE SEAT KIT	87 to * G3, G4
24	27705-82	SPRING, THROTTLE SHAFT RETURN	87 to * G3, G4
25	27715-82	THROTTLE VALVE DISC	87 to * G3, G4
26	27717-82	SCREW, THROTTLE ADJUSTMENT	87 to * G3, G4
27	27720-82	SCREW, CHOKE AND THROTTLE DISCS (2)	87 to * G3, G4
28	27730-82	CHOKE SHAFT LEVER	87 to * G3, G4
29	27731-82	SPRING, CHOKE SHAFT RETURN	87 to * G3, G4
30	27734-82	CHOKE SWIVEL KIT	87 to * G3, G4
31	27735-82	DRAIN STEM ASSEMBLY	87 to * G3, G4
32	27744-82	DUST SEAL, CHOKE SHAFT	87 to * G3, G4
33	27745-82	DUST SEAL, THROTTLE SHAFT	87 to * G3, G4
34	27752-83	MAIN FUEL JET (SIZE .038)	87 to * G3, G4
	27753-82	MAIN FUEL JET - HIGH ALTITUDE (SIZE .035)	87 to * G3, G4
35	31476-79	BRACKET, STARTER GENERATOR MOUNTING	87 to * G3, G4



CARBURETOR – WHL.9

CARBURETOR – WHL 9, VERTICAL CHOKE SHAFT

3B-10023-C7 THRU 3B-10073-C7
 5K-10084-C7 THRU 5K-10208-C7
 5K-20676-C7 THRU 5K-21946-C7
 3B-20001-C7 THRU 3B-20099-C7

INDEX NO.	PART NO.	NAME	USED ON
1	27744-82	DUST SEAL, THROTTLE SHAFT	87 to * G3, G4
2	27763-87	REPAIR KIT	87 to * G3, G4
3	27764-87	FLOAT BOWL	87 to * G3, G4

CARBURETOR – WHL 9, VERTICAL CHOKE SHAFT (CONTINUED)

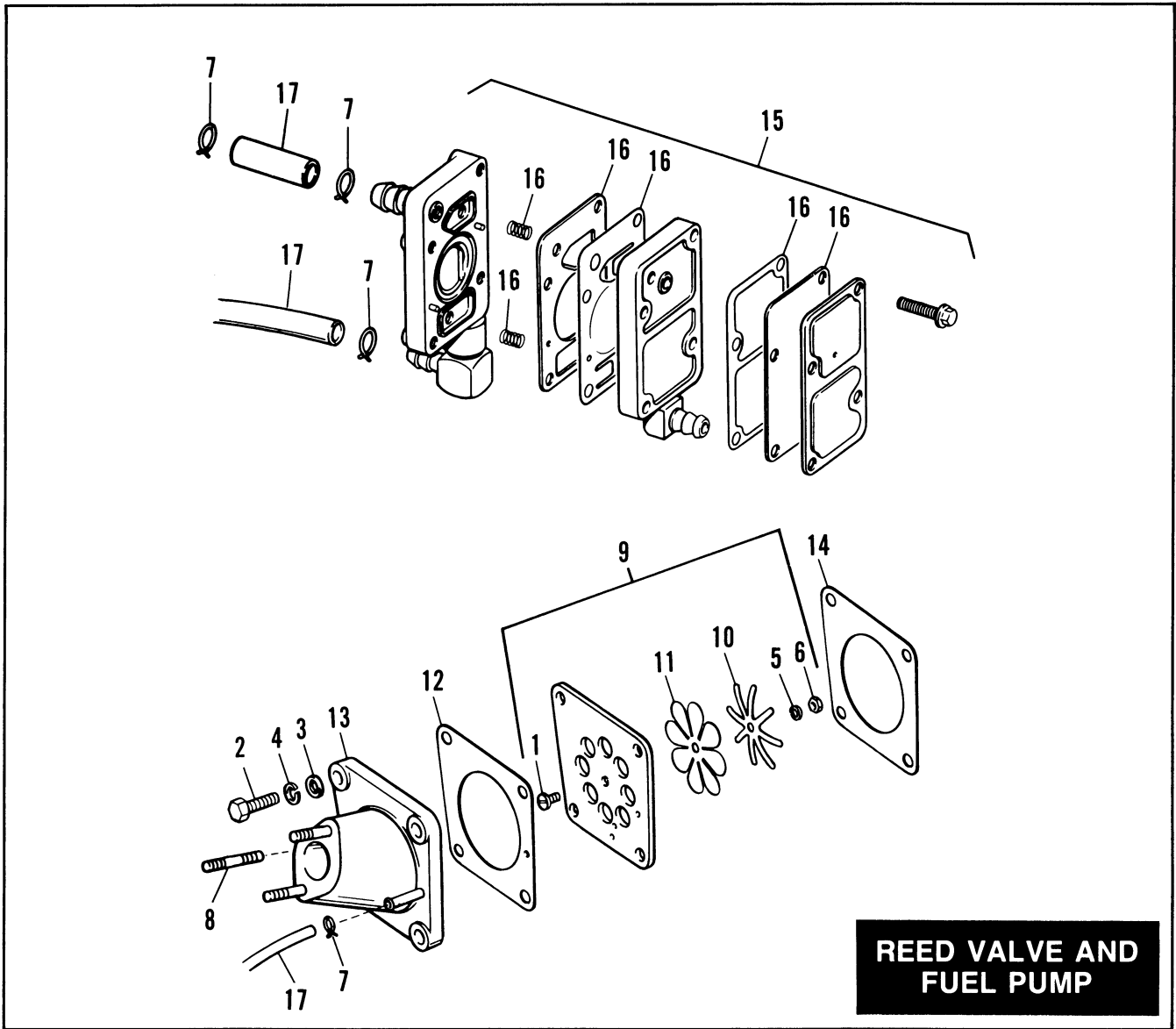
3B-10023-C7 THRU 3B-10073-C7
 5K-10084-C7 THRU 5K-10208-C7
 5K-20676-C7 THRU 5K-21946-C7
 3B-20001-C7 THRU 3B-20099-C7

INDEX NO.	PART NO.	NAME	USED ON
4	27765-87	THROTTLE SHAFT ASSEMBLY	87 to * G3, G4
5	27766-87	THROTTLE VALVE DISC	87 to * G3, G4
6	27767-87	CHOKE SHAFT ASSEMBLY	87 G3, G4
7	27768-87	SWIVEL ASSEMBLY	87 to * G3, G4
8	27769-87	CHOKE VALVE DISC	87 G3, G4
9	27770-87	FLOAT	87 to * G3, G4
10	27773-87	PLUG, CUP 1/8" (2)	87 to * G3, G4
11	27774-87	WELCH PLUG 3/8"	87 to * G3, G4
12	27775-87	WELCH PLUG 5/16"	87 to * G3, G4
13	27778-87	SCREW, THROTTLE & CHOKE DISC (4)	87 to * G3, G4
14	27780-87	PLUG, FLOAT BOWL RETAINER	87 to * G3, G4
15	27781-87	SCREW, IDLE SPEED ADJUSTMENT	87 to * G3, G4
16	27782-87	SPRING, LOW SPEED SCREW	87 to * G3, G4
17	27783-87	SPRING, IDLE SCREW	87 to * G3, G4
18	27784-87	SPRING, THROTTLE SHAFT	87 to * G3, G4
19	27785-87	SPRING, CHOKE SHAFT	87 G3, G4
20	27789-87	MAIN JET .042	87 to * G3, G4
21	27790-87	DUST SEAL, CHOKE SHAFT	87 G3, G4
22	27100-87	NOZZLE, FUEL INLET	87 to * G3, G4
23	27159-87	CARBURETOR COMPLETE	87 to * G3, G4

CARBURETOR – WHL 10, HORIZONTAL CHOKE SHAFT

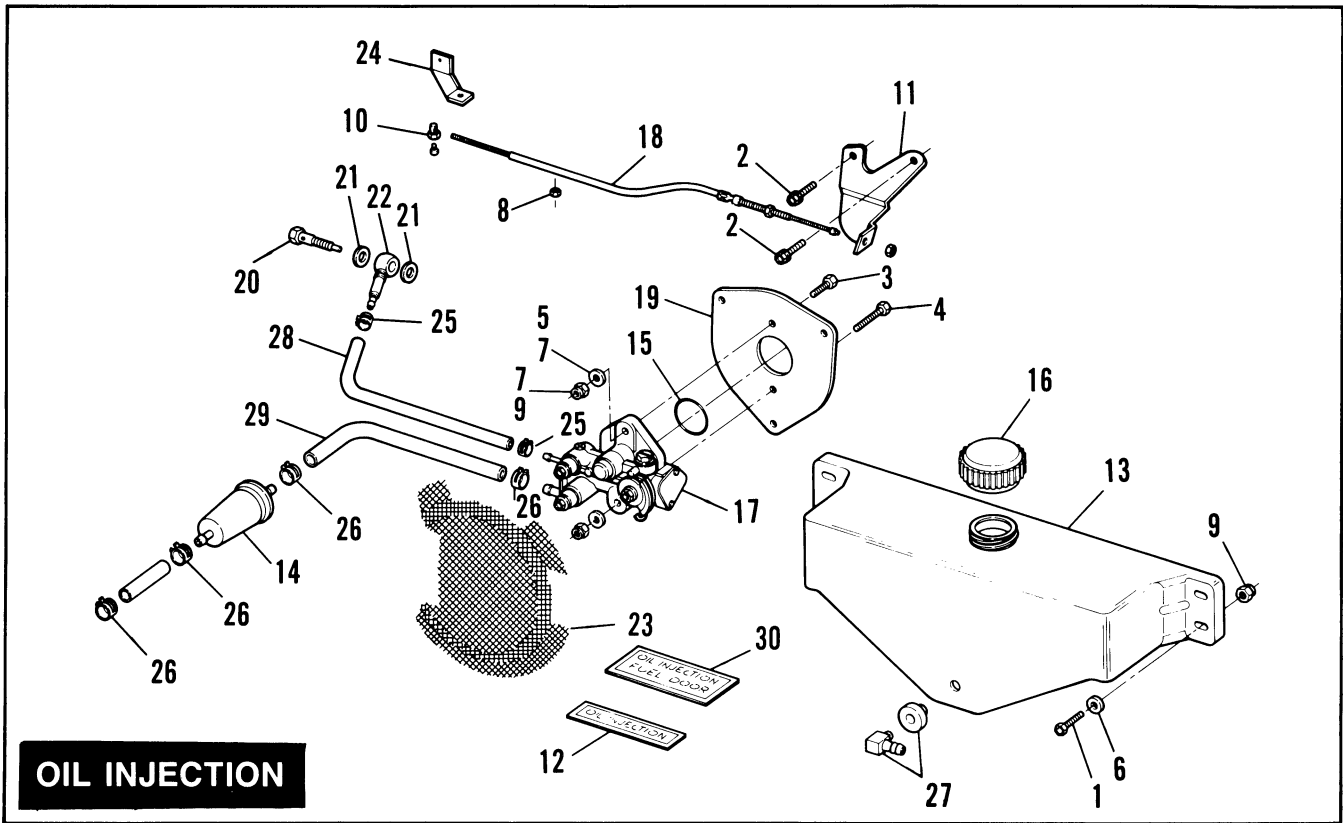
3B-10074-C7 THRU PRESENT
 3B-20100-C7 THRU PRESENT
 5K-10209-C7 THRU PRESENT
 5K-21947-C7 THRU PRESENT

INDEX NO.	PART NO.	NAME	USED ON
6	27730-87	CHOKE SHAFT ASSEMBLY	87 to * G3, G4
8	27674-87	CHOKE VALVE DISC	87 to * G3, G4
19	27785-87	SPRING, CHOKE SHAFT	87 to * G3, G4
21	27744-87	DUST SEAL, CHOKE SHAFT	87 to * G3, G4
23	27159-87	CARBURETOR, COMPLETE	87 to * G3, G4



REED VALVE AND FUEL PUMP

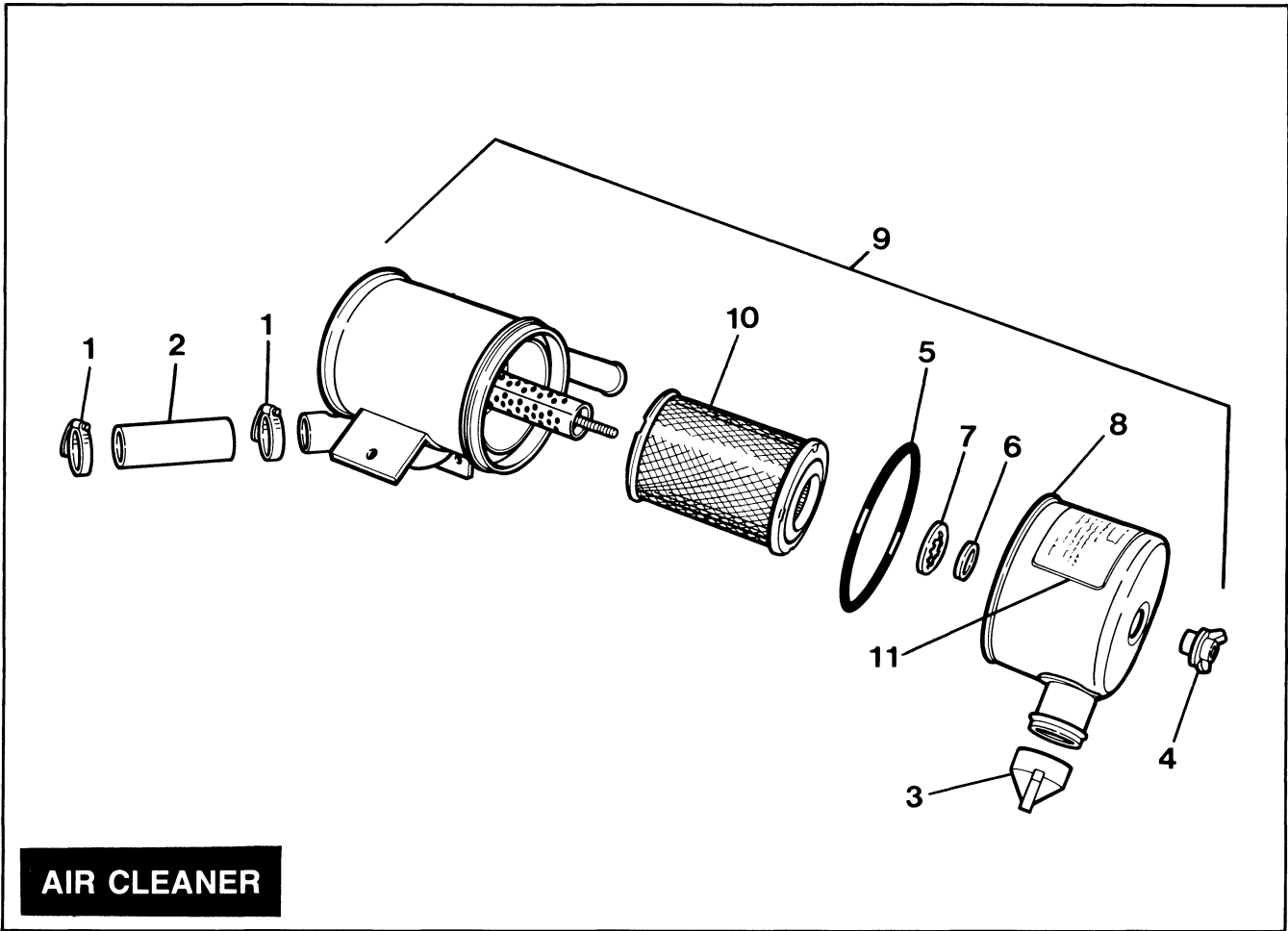
INDEX NO.	PART NO.	NAME	USED ON
1	2673	SCREW	87 to * G3, G4
2	2818	BOLT (4)	87 to * G3, G4
3	6702	WASHER (4)	87 to * G3, G4
4	7041	LOCKWASHER (4)	87 to * G3, G4
5	7069	LOCKWASHER	87 to * G3, G4
6	7634	NUT	87 to * G3, G4
7	9993	CLAMP, HOSE (4)	87 to * G3, G4
8	24811-63	STUD, 1/4-20 / 1/4-28×1-1/2 (2)	87 to * G3, G4
9	26901-71B	REEDPLATE ASSEMBLY	87 to * G3, G4
10	26905-59	REED STOP	87 to * G3, G4
11	26906-59A	LEAF, REED VALVE (STAINLESS STEEL)	87 to * G3, G4
12	26908-71B	GASKET, REEDPLATE	87 to * G3, G4
13	27020-80A	INTAKE MANIFOLD	87 to * G3, G4
14	27069-63B	GASKET, MANIFOLD	87 to * G3, G4
15	27099-84	FUEL PUMP	87 to * G3, G4
16	27110-81	REPAIR KIT, INCLUDES GASKETS, DIAPHRAMS, AND SPRING	87 to * G3, G4
17	63501-68	HOSE, 1/4 I.D. × 1/2 O.D. REINFORCED RUBBER, 25 FT LG. (BULK-CUT AS REQUIRED)	87 to * G3, G4



OIL INJECTION

INDEX NO.	PART NO.	NAME	USED ON
1	2551W	SCREW, 1/4-20×1 (4)	87 to * G3, G4
2	3000	SCREW, 10-24×1/2 (2)	87 to * G3, G4
3	3502	SCREW, 10-24×3/4	87 to * G3, G4
4	3503	SCREW, 10-24×1-1/4	87 to * G3, G4
5	6192	WASHER, NO. 8 (3)	87 to * G3, G4
6	6332B	WASHER (4)	87 to * G3, G4
7	7624	LOCKNUT, 10-24 (2)	87 to * G3, G4
8	7686	LOCKNUT, 1/4-20	87 to * G3, G4
9	7742	LOCKNUT, 1/4-20 (4)	87 to * G3, G4
10	26832-83	STOP, CABLE END	87 to * G3, G4
11	29159-84	BRACKET, CABLE, FAN HOUSING	87 to * G3, G4
12	53275-84	LABEL "OIL INJECTION"	87 to * G3, G4
13	62499-87	OIL TANK WITH CAP (REAR MOUNT)	87 to * G3, G4
14	62489-85	FILTER, IN LINE	87 to * G3, G4
15	62494-85	O-RING, PUMP MOUNTING	87 to * G3, G4
16	62503-84	CAP, OIL TANK	87 to * G3, G4
17	62522-85	OIL PUMP	87 to * G3, G4
18	62507-85	CONTROL CABLE	E87 G3, G4
	62507-87	CONTROL CABLE	L87 to * G3, G4†
19	62508-84	COVER, IGNITION AND PUMP MOUNT	87 to * G3, G4
20	62511-84	HOLLOW SCREW, INTAKE FITTING	87 to * G3, G4
21	62512-84	WASHER, FITTING (2)	87 to * G3, G4
22	62516-84	CHECK VALVE	87 to * G3, G4
23	62517-84	FAN SCREEN, OIL INJECTION ONLY	87 to * G3, G4
24	62518-84	LEVER, PUMP CABLE ON CARBURETOR	87 to * G3, G4
25	62521-84	CLAMP, SMALL (2)	87 to * G3, G4
26	62523-84	CLAMP, LARGE (2)	87 to * G3, G4
27	62531-85	ELBOW FITTING, WITH BUSHING	87 to * G3, G4
28	62532-85	HOSE, 1/8" I.D. 10 FT. LENGTH	87 to * G3, G4
29	62534-85	HOSE, 1/4" I.D. 25 FT. LENGTH	87 to * G3, G4
30	91848-84	LABEL, OIL INJECTION, FUEL DOOR	87 to * G3, G4

† STARTING WITH VIN #5K22655C7
7K20057C7

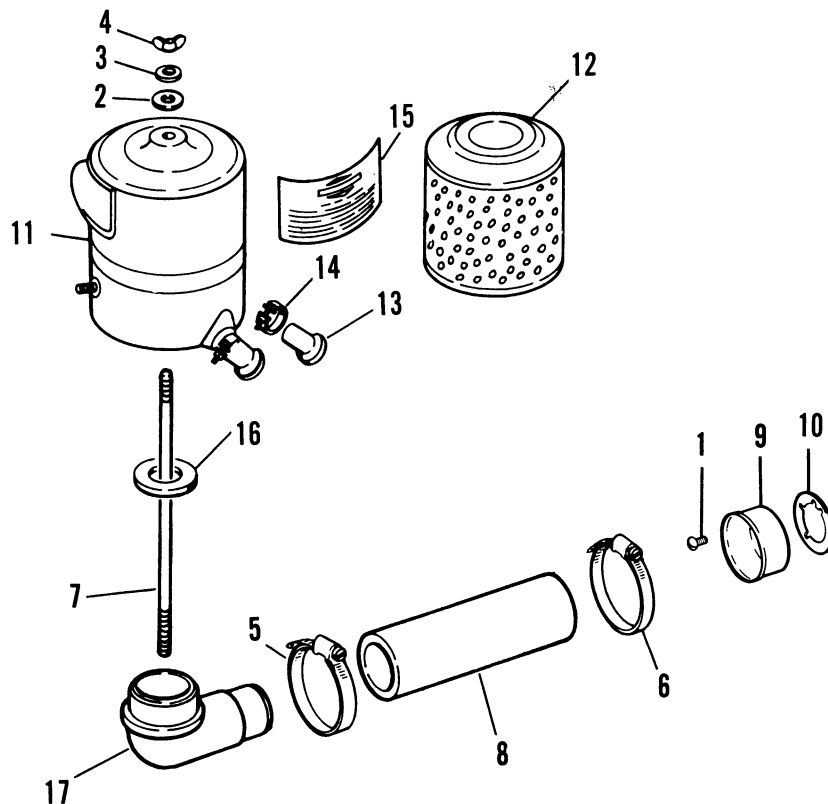


AIR CLEANER

AIR CLEANER

INDEX NO.	PART NO.	NAME	USED ON
1	9955	CLAMP, HOSE (2)	87 to * G3, G4
2	29109-82	HOSE, AIR INTAKE	87 to * G3, G4
3	29124-84	DUST EJECTOR VALVE	87 to * G3, G4
4	29125-84	WINGNUT	87 to * G3, G4
5	29126-84	O-RING	87 to * G3, G4
6	29127-84	WASHER	87 to * G3, G4
7	29128-84	RETAINING CLIP	87 to * G3, G4
8	29129-84	CUP ASSEMBLY	87 to * G3, G4
9	29130-84	AIR CLEANER ASSEMBLY	87 to * G3, G4
10	29131-71	FILTER ELEMENT	87 to * G3, G4
11	29139-83	DECAL, AIR CLEANER SERVICE INSTRUCTION	87 to * G3, G4

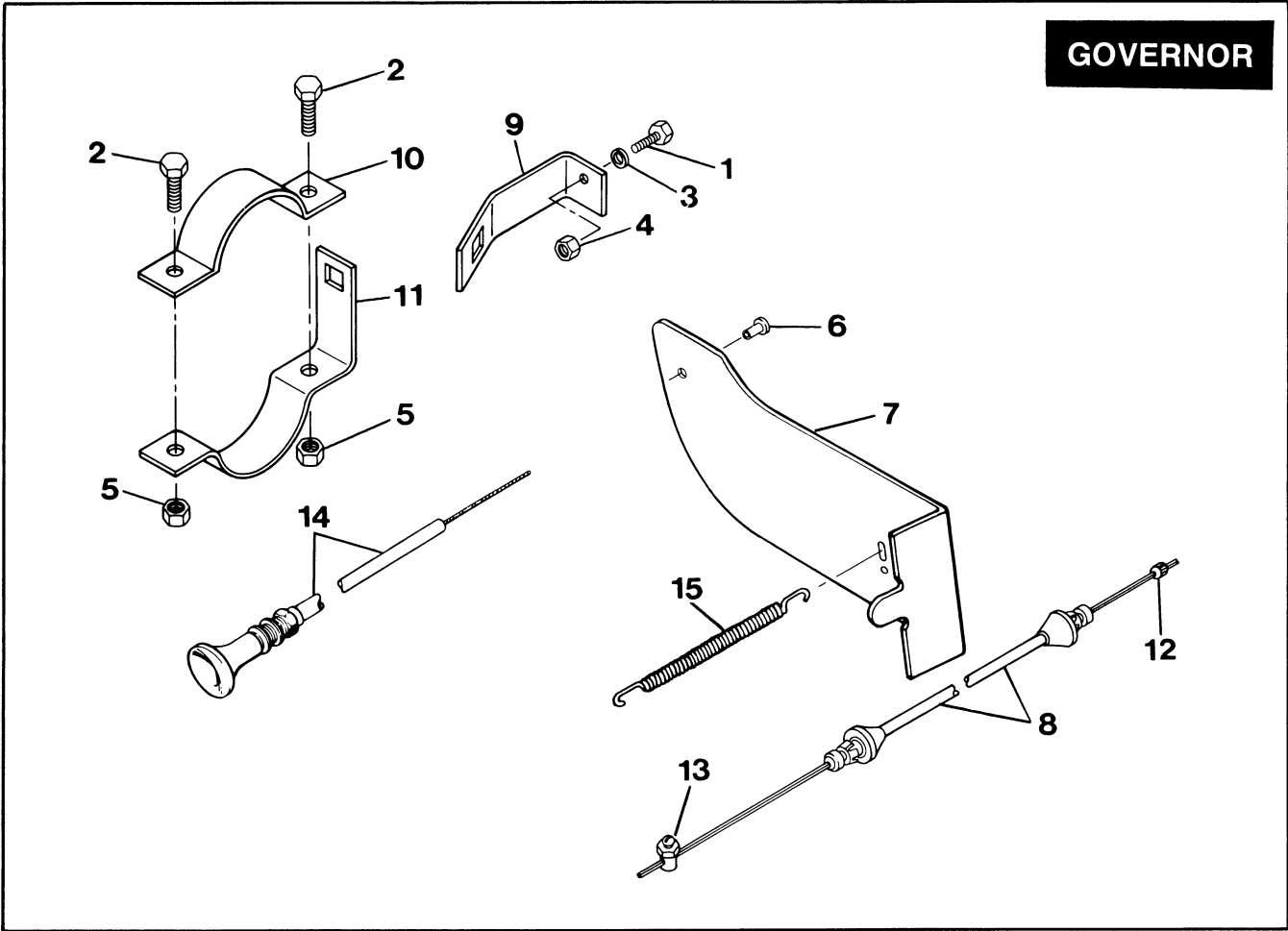
AIR CLEANER



AIR CLEANER

INDEX NO.	PART NO.	NAME	USED ON
1	2511	SCREW, ADAPTER TO CARBURETOR	L87 to * G3, G4
2	6261	WASHER, RUBBER	L87 to * G3, G4
3	6703	WASHER	L87 to * G3, G4
4	8119-W	WINGNUT	L87 to * G3, G4
5	9955	CLAMP, HOSE, SMALL	L87 to * G3, G4
6	9991-A	CLAMP, CARBURETOR TO HOSE	L87 to * G3, G4
7	29108-82	STUD, AIR CLEANER MOUNTING	L87 to * G3, G4
8	29110-87	HOSE, AIR INTAKE	L87 to * G3, G4
9	29111-87	ADAPTER, CARBURETOR TO HOSE	L87 to * G3, G4
10	29127-87	GASKET, ADAPTER TO CARBURETOR	L87 to * G3, G4
11	29130-71	AIR CLEANER ASSEMBLY	L87 to * G3, G4
12	29131-71	FILTER ELEMENT	L87 to * G3, G4
13	29132-71	DUST UNLOADER	L87 to * G3, G4
14	29135-71	CLAMP, DUST UNLOADER	L87 to * G3, G4
15	29139-83A	DECAL, SERVICE	L87 to * G3, G4
16	29142-71	GASKET, AIR CLEANER MOUNTING	L87 to * G3, G4
17	29157-82	ELBOW, AIR INTAKE	L87 to * G3, G4

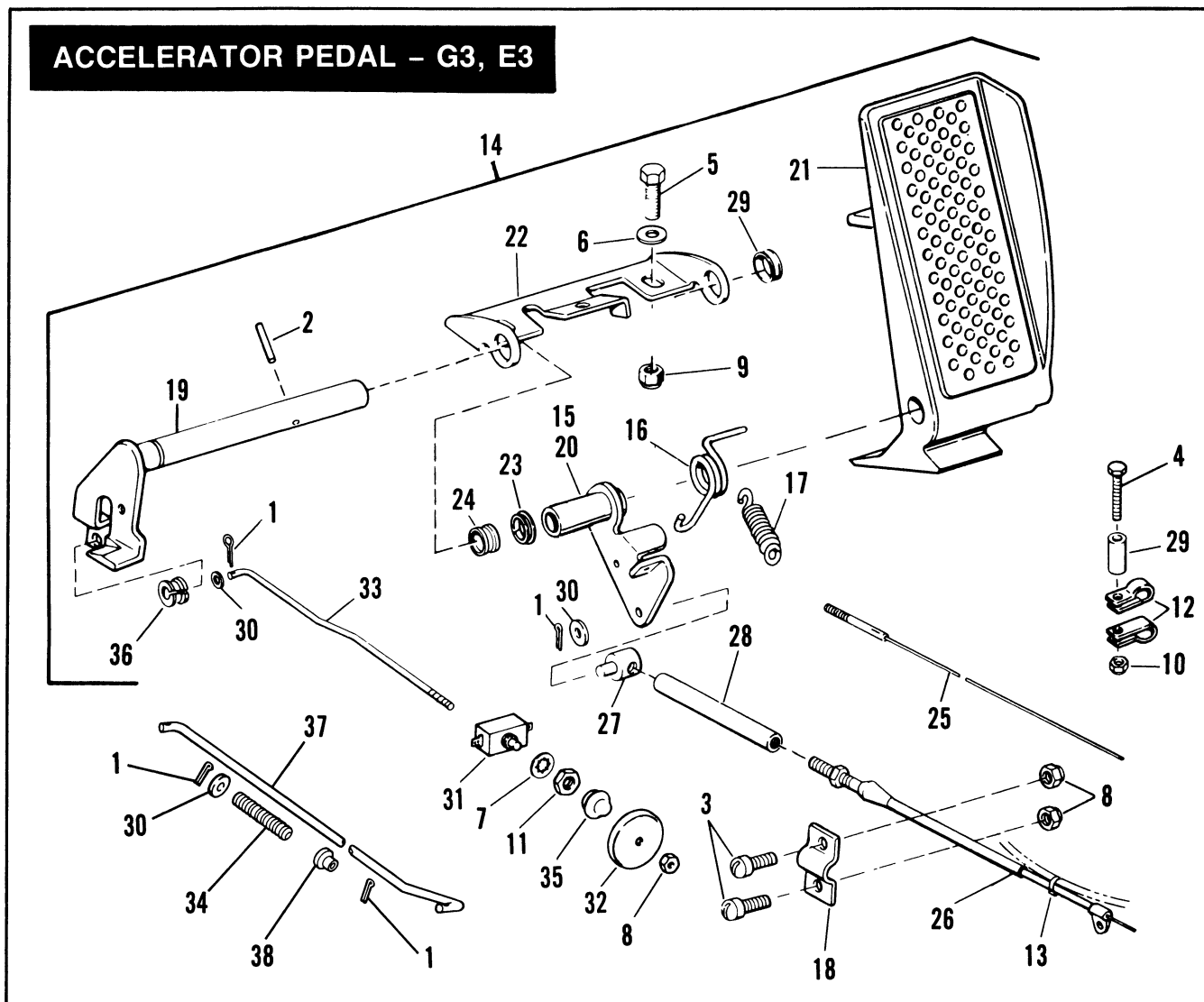
GOVERNOR



GOVERNOR

INDEX NO.	PART NO.	NAME	USED ON
1	2339	SCREW, ENGINE BRACKET	87 to * G3, G4
2	3787	SCREW, DIFFERENTIAL BRACKET (2)	87 to * G3, G4
3	6192	WASHER, ENGINE BRACKET	87 to * G3, G4
4	7624	NUT, ENGINE BRACKET	87 to * G3, G4
5	7686	LOCKNUT, DIFFERENTIAL BRACKET (2)	87 to * G3, G4
6	26825-84	EYELET (SERVICE IN ASSEMBLY - INDEX NO. 7)	87 to * G3, G4
7	26826-84A	GOVERNOR ARM	87 to * G3, G4
8	26827-83	GOVERNOR CABLE ASSEMBLY	87 to * G3, G4
9	26828-83	GOVERNOR BRACKET, ENGINE	87 to * G3, G4
10	26829-84	GOVERNOR BRACKET, DIFFERENTIAL (SHORT)	87 to * G3, G4
11	26830-84	GOVERNOR BRACKET, DIFFERENTIAL (LONG)	87 to * G3, G4
12	26831-83	GOVERNOR CABLE INNER	87 to * G3, G4
13	26832-83	STOP, GOVERNOR CABLE	87 to * G3, G4
14	27288-86	CHOKE CONTROL CABLE	87 to * G3, G4
15	41833-82	RETURN SPRING, GOVERNOR ARM	87 to * G3, G4

ACCELERATOR PEDAL – G3, E3



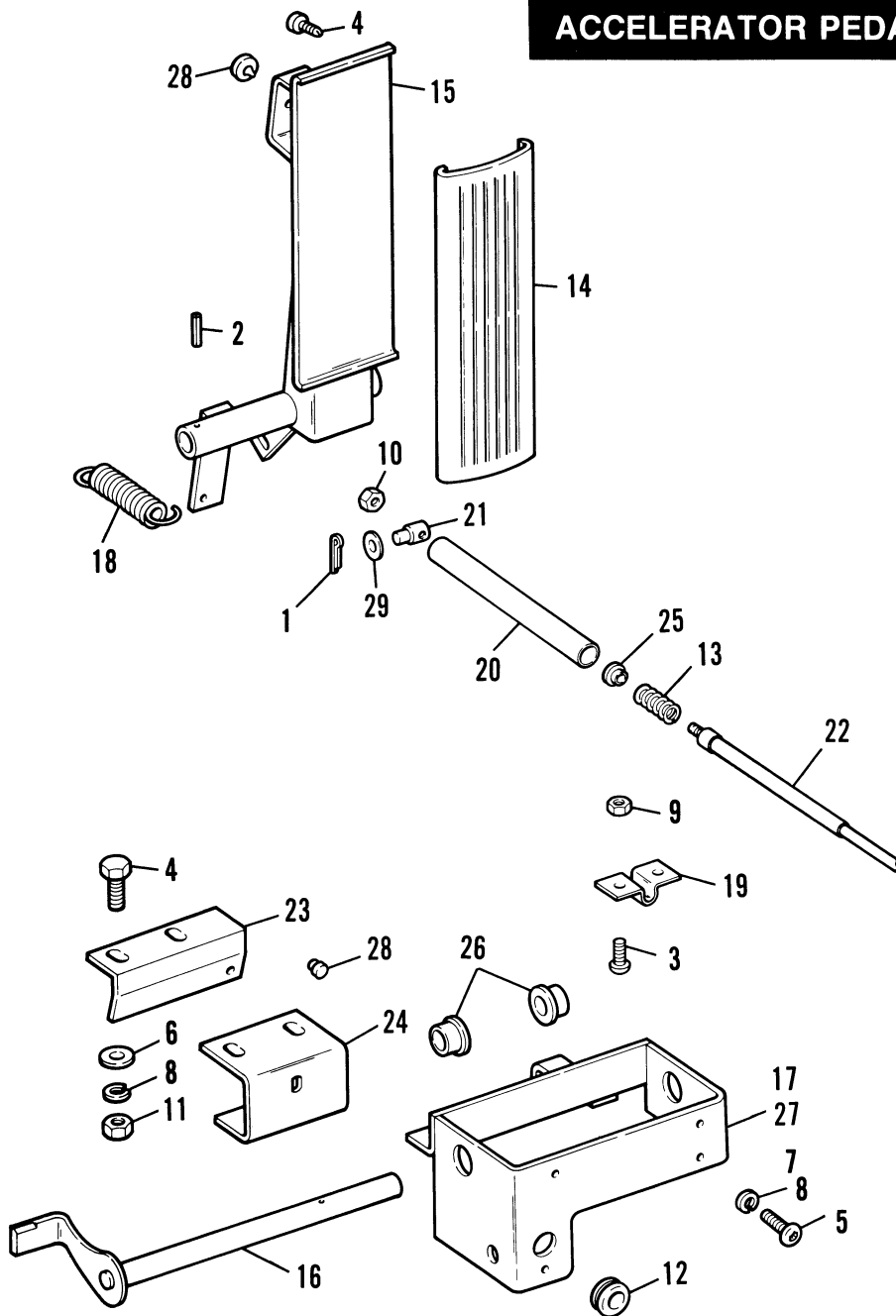
ACCELERATOR PEDAL – G3, E3

INDEX NO.	PART NO.	NAME	USED ON
1	515	COTTER PIN	87 to * G3, G4
2	610	ROLL PIN	87 to * G3, G4
3	1198	SCREW	87 to * G3
4	2551-W	BOLT	87 to * G3
5	3987	BOLT (2)	87 to * G3, E3
6	6702	WASHER (2)	87 to * G3, E3
7	7130W	LOCKWASHER	87 to * G3
8	7624	LOCKNUT (3)	87 to * G3
9	7740	LOCKNUT (2)	87 to * G3, E3
10	7742	LOCKNUT	87 to * G3
11	7807-W	LOCKNUT	87 to * G3
12	9958	CLAMP	87 to * G3
13	10043	STRAP, CABLES	87 to * G3
14	40497-85	ACCELERATOR PEDAL ASSEMBLY	87 to * E3
	40498-85	ACCELERATOR PEDAL ASSEMBLY	87 to * G3
15	40501-63	SPACER, ACCELERATOR PEDAL	87 to * E3
16	40503-68	SPRING, PEDAL RETURN	87 to * G3, E3
17	40509-67	SPRING, ACCELERATOR PEDAL	87 to * G3
18	40511-78	CLAMP, THROTTLE CABLE	87 to * G3

ACCELERATOR PEDAL – G3, E3 (CONTINUED)

INDEX NO.	PART NO.	NAME	USED ON
19	40513-71	INTERLOCK SHAFT	87 to * G3, E3
20	40514-68	LEVER, ACCELERATOR	87 to * G3
21	40516-68	PEDAL, ACCELERATOR	87 to * G3, E3
22	40518-85	BRACKET, ACCELERATOR	87 to * G3, E3
23	40520-63	BUSHING, INTERIOR SHAFT	87 to * G3, E3
24	40522-63	BEARING, NYLON, INTERLOCK SHAFT	87 to * G3, E3
25	40525-67	WIRE, THROTTLE CONTROL	87 to * G3
26	40530-80	THROTTLE CABLE ASSEMBLY	87 to * G3
27	40532-68A	WIRE BLOCK, ACCELERATOR LEVER	87 to * G3
28	40533-68	SHIELD TUBE, THROTTLE CABLE	87 to * G3
29	49079-72	SPACER	87 to * G3
30	50311-83	WASHER	87 to * G3
31	71506-63	SWITCH, MICRO	87 to * G3
32	71509-70	CUP, MICRO SWITCH	87 to * G3
33	71510-70	ROD, MICRO SWITCH	87 to * G3
34	71513-66A	SPRING, SPEED SWITCH ROD	87 to * E3
35	71514-68A	COVER, PLUNGER (MICRO SWITCH)	87 to * G3
36	71793-71	BEARING, INTERLOCK FINGER	87 to * G3, E3
37	71798-66B	ROD, ACCELERATOR	87 to * E3
38	71799-68	BUSHING, NYLON, SPEED SWITCH ROD	87 to * E3

ACCELERATOR PEDAL - G4, E4



ACCELERATOR PEDAL - G4, E4

"E" INDICATES EARLY MODELS THRU 5K-10015-C7, 5K-20090-C7

"L" INDICATES LATE MODELS 5K-10016-C7, 5K-20091-C7 - * GASOLINE MODELS ONLY

INDEX NO.	PART NO.	NAME	USED ON
1	515	COTTER PIN	87 to * G4, E4
2	601	ROLL PIN	87 to * G4, E4
3	1198	SCREW, 10-24×1/2 (2)	87 to * G4, E4
4	2879-W	BOLT, 3/8-16×1 (2)	E87 to * G4
5	3789	SCREW, 1/4-20×3/4 SOC. HD. (4)	E87 to * G4, E4
	4713-W	BOLT, 3/8-16×3/4 (3)	L87 to * G4, E4

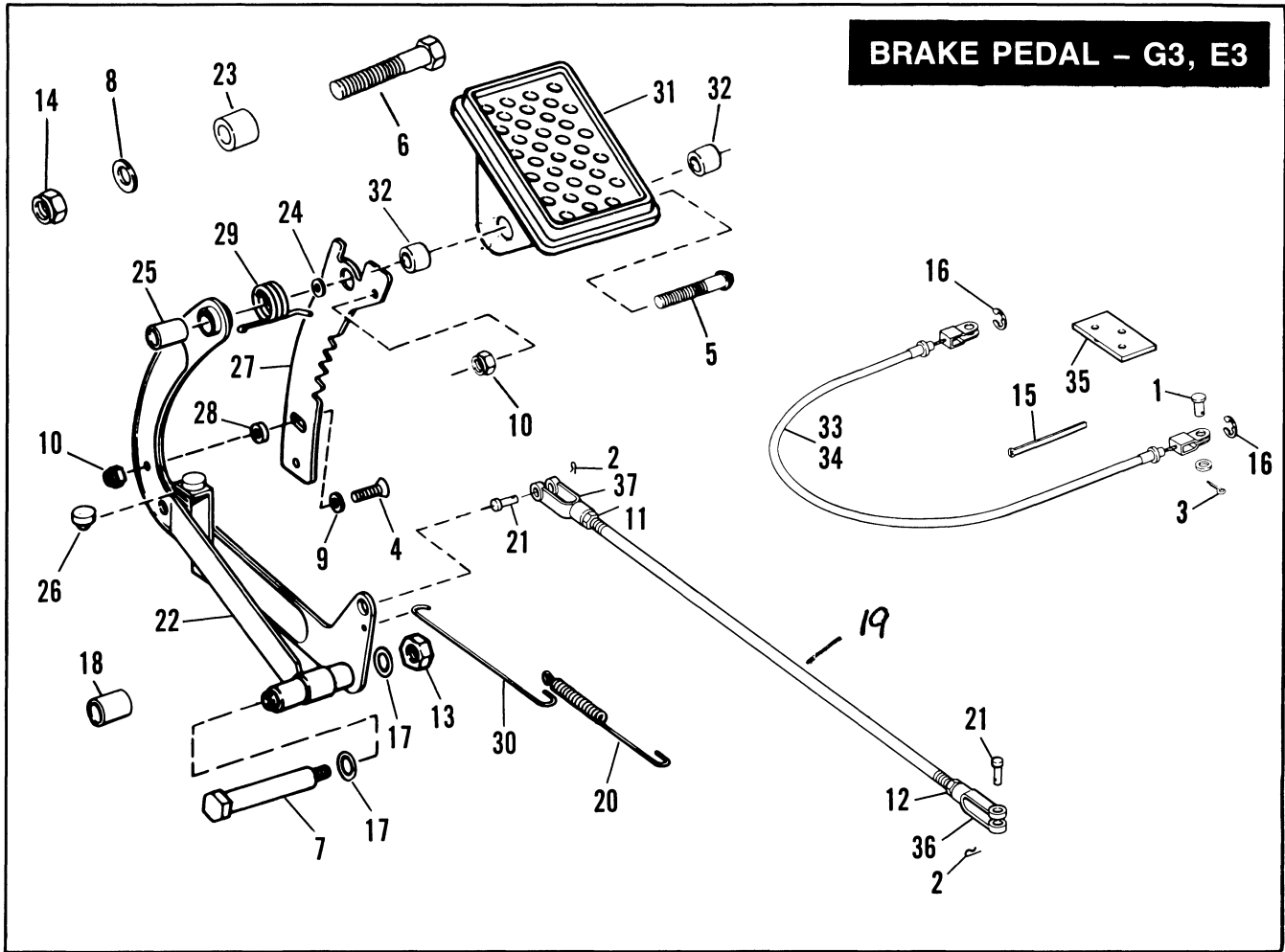
ACCELERATOR PEDAL – G4, E4 (CONTINUED)

“E” INDICATES EARLY MODELS THRU 5K-10015-C7, 5K-20090-C7

“L” INDICATES LATE MODELS 5K-10016-C7, 5K-20091-C7 – * GASOLINE MODELS ONLY

INDEX NO.	PART NO.	NAME	USED ON
6	6701	WASHER, 3/8 (2)	E87 to * G4
7	7036	LOCKWASHER, 1/4 (4)	E87 to * G4, E4
8	7038	LOCKWASHER, 3/8	L87 to * G4, E4
9	7624	LOCKNUT, 10-24 (2)	87 to * G4, E4
10	7638	NUT, 10-32	87 to * G4, E4
11	7783	NUT, 3/8-16 (2)	E87 to * G4
12	11416	GROMMET	E87 to * G4
13	40437-86	SPRING, ACCELERATOR CABLE	87 to * G4, E4
14	40439-86A	PAD, ACCELERATOR PEDAL	87 to * G4, E4
15	40448-87	PEDAL, ACCELERATOR	87 to * G4, E4
16	40455-78	SHAFT, ACCELERATOR PEDAL	87 to * G4, E4
17	40459-87	PEDAL ASSEMBLY, COMPLETE	L87 to * G4, E4
18	40509-67	SPRING, PEDAL RETURN	87 to * G4, E4
19	40511-78	CLAMP, ACCELERATOR CABLE	87 to * G4, E4
20	40533-68	SHIELD ASSEMBLY, CONTROL CABLE	87 to * G4, E4
21	40436-87	BLOCK, ACCELERATOR CABLE	87 to * G4, E4
22	42439-86	CABLE, ACCELERATOR	87 to * G4, E4
23	42443-86	BRACKET, PEDAL STOP	E87 to * G4, E4
24	42444-86	BRACKET, MICRO SWITCH	E87 to * G4
25	42445-86	FLANGE WASHER, ACCELERATOR SPRING	87 to * G4, E4
26	42446-86	BUSHING, ACCELERATOR SHAFT	87 to * G4, E4
27	42450-86	BRACKET, ACCELERATOR PEDAL MOUNTING	E87 to * G4, E4
	42450-87	BRACKET, ACCELERATOR PEDAL MOUNTING	L87 to * G4, E4
28	42483-63	BUMPER, RUBBER	87 to * G4, E4
29	50311-83	WASHER	87 to * G4, E4
NOT PICTURED			
	8684	RIVET, PEDAL PAD	87 to * G4, E4
	71510-87	ROD, MICRO SWITCH	L87 to * G4
	71506-63	MICRO SWITCH	87 to * G4

BRAKE PEDAL – G3, E3

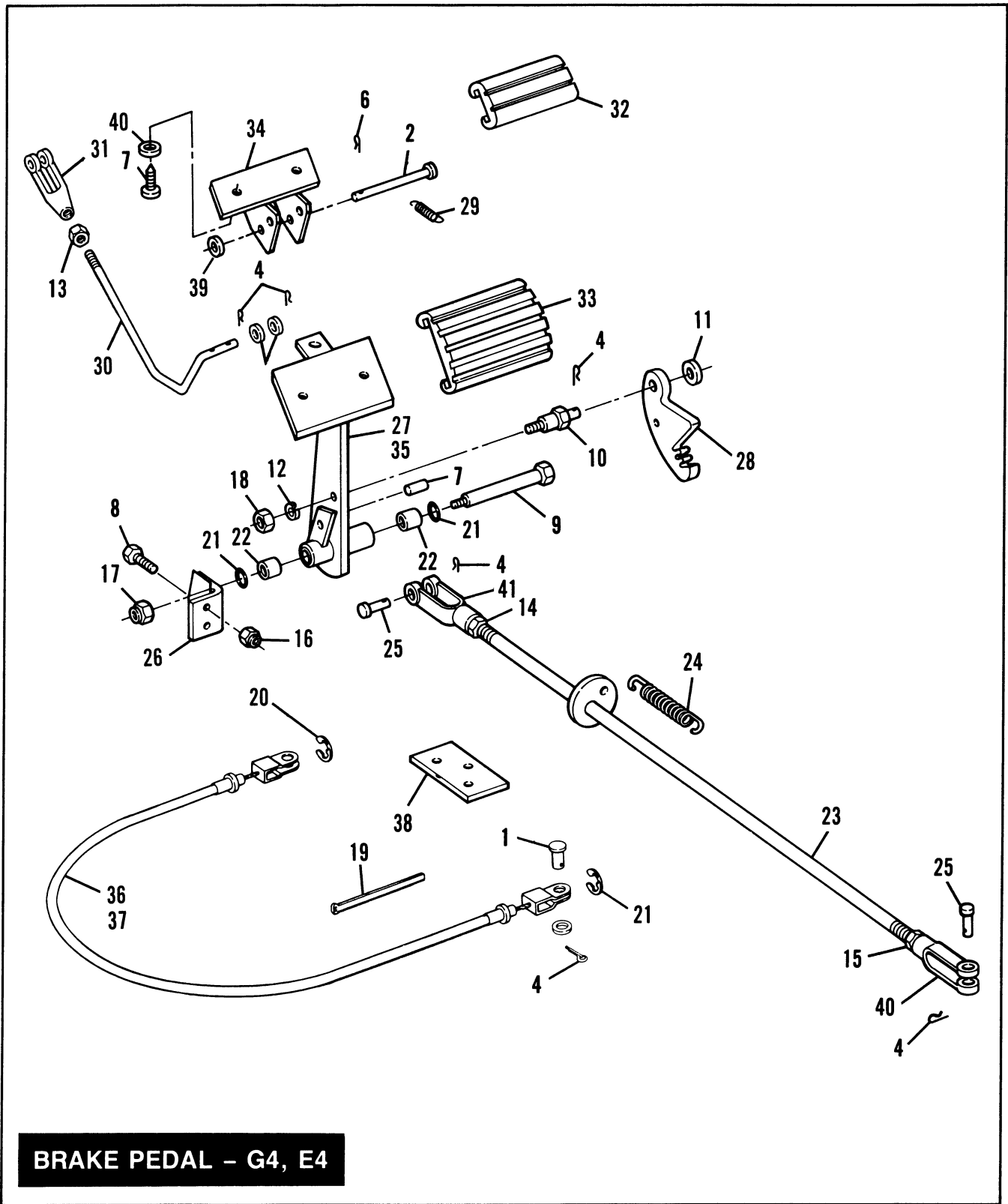


BRAKE PEDAL – G3, E3

INDEX NO.	PART NO.	NAME	USED ON
1	497	CLEVIS PIN (4)	87 to * G3, E3
2	515	COTTER PIN, 1/16×3/4 (2)	87 to * G3, E3
3	520-W	COTTER PIN (4)	87 to * G3, E3
4	1764-W	SCREW	87 to * G3, E3
5	2595	SCREW	87 to * G3, E3
6	4401-W	BOLT, 3/8-24×2-3/4	87 to * G3, E3
7	4427-W	SHOULDER BOLT	87 to * G3, E3
8	6701	WASHER, 3/8	87 to * G3, E3
9	6702	WASHER, 5/16	87 to * G3, E3
10	7624	LOCKNUT	87 to * G3, E3
11	7676	NUT, 1/4-28	87 to * G3, E3
12	7677	NUT, 1/4-28 LEFT HAND THREAD	87 to * G3, E3
13	7725	LOCKNUT	87 to * G3, E3
14	7776-W	LOCKNUT, 3/8-24 THIN	87 to * G3, E3
15	10043	CABLE STRAP, 10 IN.	87 to * G3, E3
16	11035	RETAINING RING, BRAKE CABLES (4)	87 to * G3, E3
17	11104	O-RING, BRAKE LEVER	87 to * G3, E3
18	25785-30A	BUSHING, LOWER (2)	87 to * G3, E3
19	41719-86	BRAKE ROD	87 to * G3, E3
20	41833-82	SPRING, BRAKE PEDAL RETURN	87 to * G3, E3
21	42269-70	PIN, CLEVIS, BRAKE ROD (2)	87 to * G3, E3
22	42405-86	LEVER, BRAKE PEDAL	87 to * G3, E3
	42477-86	BRAKE PEDAL/ARM ASSEMBLY, COMPLETE	87 to * G3, E3

BRAKE PEDAL – G3, E3 (CONTINUED)

INDEX NO.	PART NO.	NAME	USED ON
23	42480-84	SPACER	87 to * G3, E3
24	42481-84	SPACER	87 to * G3, E3
25	42482-63	BUSHING, BRAKE LEVER, UPPER	87 to * G3, E3
26	42483-63	BUMPER, BRAKE LEVER (RUBBER)	87 to * G3, E3
27	42488-63C	RATCHET, BRAKE LEVER	87 to * G3, E3
28	42490-67	SPACER, PEDAL RATCHET	87 to * G3, E3
29	42494-63B	SPRING, RATCHET	87 to * G3, E3
30	42501-67	PULL WIRE, BRAKE PEDAL	87 to * G3, E3
31	42634-78A	BRAKE PEDAL, ONLY	87 to * G3, E3
32	42643-78	BUSHING, BRAKE PEDAL (2)	87 to * G3, E3
33	47728-86	BRAKE CABLE ASSEMBLY, RIGHT	87 to * G3, E3
34	47729-86	BRAKE CABLE ASSEMBLY, LEFT	87 to * G3, E3
35	47736-86	EQUALIZER BAR	87 to * G3, E3
36	73061-86A	CLEVIS, BRAKE ROD, LEFT HAND	87 to * G3, E3
37	73062-86A	CLEVIS, BRAKE ROD, RIGHT HAND	87 to * G3, E3

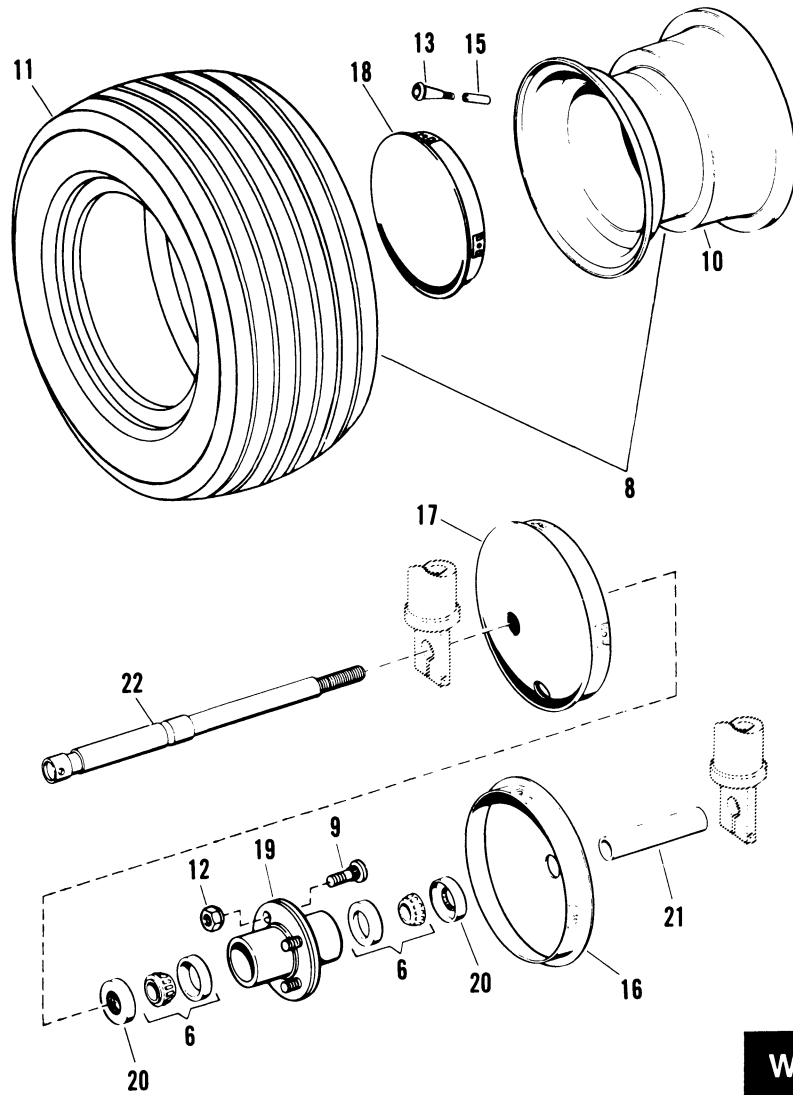


BRAKE PEDAL - G4, E4

INDEX NO.	PART NO.	NAME	USED ON
1	497	CLEVIS PIN (4)	87 to * G4, E4
2	498	CLEVIS PIN (2)	87 to * G4, E4
3	499	CLEVIS PIN, BRAKE ROD TO PEDAL	87 TO * G4, E4

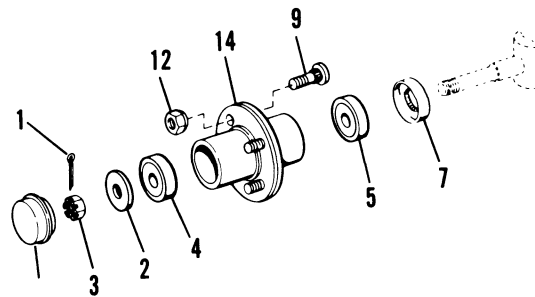
BRAKE PEDAL – G4, E4 (CONTINUED)

INDEX NO.	PART NO.	NAME	USED ON
4	515	COTTER PIN (2)	87 to * G4, E4
5	520-W	COTTER PIN (4)	87 to * G4, E4
6	551	COTTER PIN (2)	87 to * G4, E4
7	611	ROLL PIN	87 to * G4, E4
8	3767-B	BOLT, 1/4-20x5/8 (2)	87 to * G4, E4
9	4455	SHOULDER BOLT	87 to * G4, E4
10	4456	SHOULDER BOLT	87 to * G4, E4
11	6703	WASHER, 1/4	87 to * G4, E4
12	7038	LOCKWASHER, 3/8	87 to * G4, E4
13	7638	NUT, #10-32	87 to * G4, E4
14	7676	NUT, 1/4-28	87 to * G4, E4
15	7677	NUT, 1/4-28, LEFT HAND THREAD	87 to * G4, E4
16	7686	LOCKNUT, 1/4-20 (2)	87 to * G4, E4
17	7725	LOCKNUT, 5/16-24	87 to * G4, E4
18	7800-W	NUT, 3/8-24	87 to * G4, E4
19	10043	CABLE STRAP, PLASTIC, 10 IN.	87 to * G4, E4
20	11035	RETAINER RING, BRAKE CABLES (4)	87 to * G4, E4
21	11104	O-RING (2)	87 to * G4, E4
22	26251-30	BUSHING (2)	87 to * G4, E4
23	41719-86	BRAKE ROD	87 to * G4, E4
24	41833-82	SPRING	87 to * G3, E4
25	42269-70	CLEVIS PIN, BRAKE ROD TO CABLES END	87 to * G4, E4
26	42418-86	BRACKET, BRAKE LEVER MOUNTING	87 to * G4, E4
27	42420-86A	BRAKE PEDAL ASSEMBLY, COMPLETE	87 to * G4, E4
28	42451-86	BRAKE RATCHET	87 to * G4, E4
29	42452-86	SPRING, PARKING BRAKE RETURN	87 to * G4, E4
30	42455-86	ROD, PARKING BRAKE	87 to * G4, E4
31	42456-86	CLEVIS, PARKING BRAKE, SMALL	87 to * G4, E4
32	42457-86A	PAD, PARKING BRAKE PEDAL	87 to * G4, E4
33	42458-86A	PAD, BRAKE, PEDAL	87 to * G4, E4
34	42461-86	PEDAL, PRAKING BRAKE	87 to * G4, E4
35	42655-86	BRAKE PEDAL AND ARM	87 to * G4, E4
36	47728-86	BRAKE CABLE ASSEMBLY, RIGHT, LONG	87 to * G4, E4
37	47729-86	BRAKE CABLE ASSEMBLY, LEFT, SHORT	87 to * G4, E4
38	47736-86	EQUALIZER BAR	87 to * G4, E4
39	50311-83	WASHER, 3/16 (2)	87 to * G4, E4
40	73061-86A	CLEVIS, BRAKE ROD, LEFT HAND THREAD	87 to * G4, E4
41	73062-86A	CLEVIS, BRAKE ROD, RIGHT HAND THREAD	87 to * G4, E4
NOT PICTURED			
	8684	RIVET, PEDAL PADS (4)	87 to * G4, E4



WHEELS - G3, E3

WHEELS - G4, E4

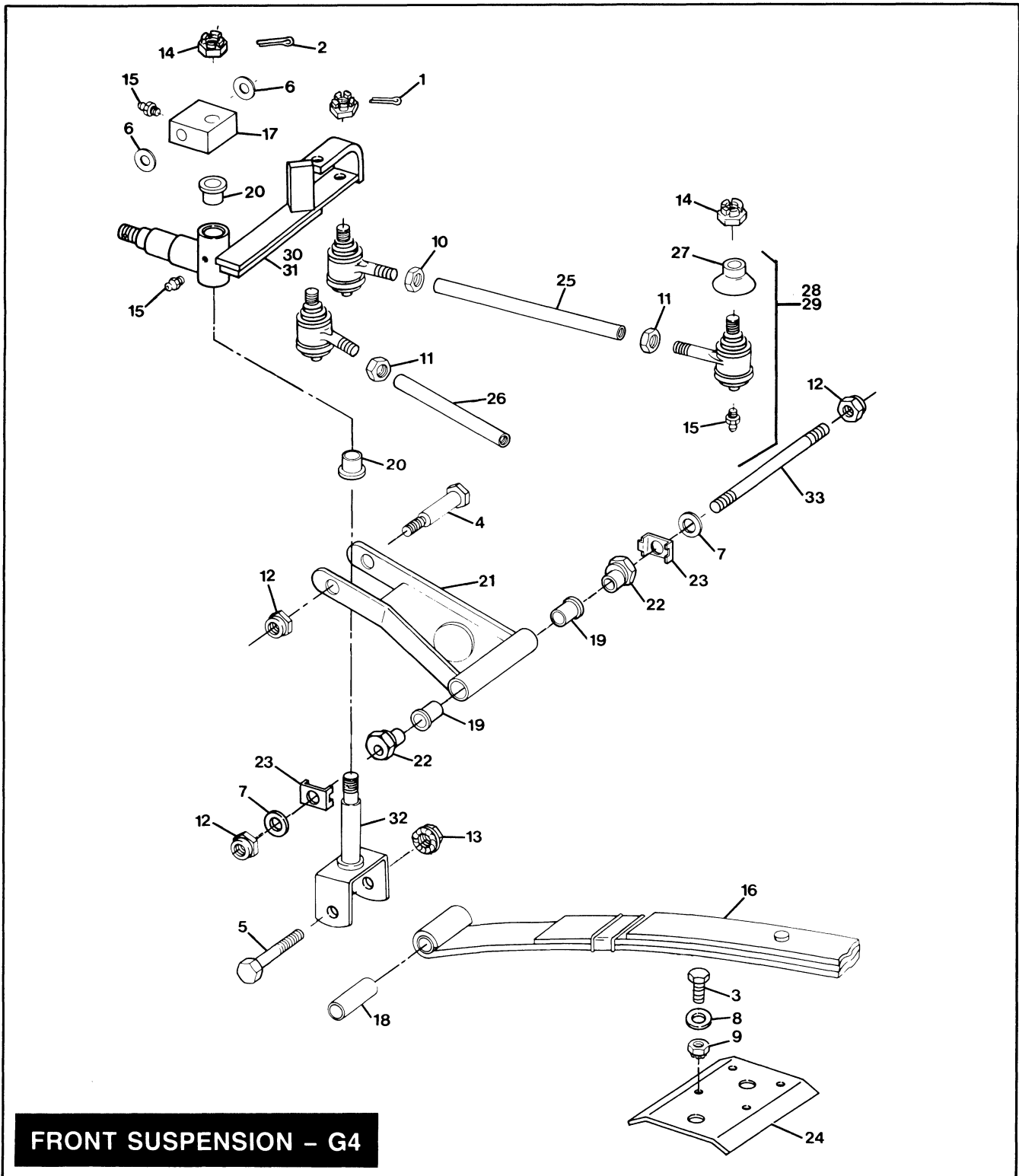


WHEELS - G4, G3, E4, E3

INDEX NO.	PART NO.	NAME	USED ON
1	559	COTTER PIN (2)	87 to * G4, E4
2	6655	WASHER, HUB MOUNTING	87 to * G4, E4
3	7947-W	CASTLE NUT (2)	87 to * G4, E4

WHEELS – G4, G3, E4, E3 (CONTINUED)

INDEX NO.	PART NO.	NAME	USED ON
4	9030	BEARING, SEALED (.78 I.D.)	87 to * G4, E4
5	9031	BEARING, SEALED (.98 I.D.)	87 to * G4, E4
6	9033	BEARING, FRONT WHEEL	87 to * G3, E3
7	12030	DUST SEAL, FRONT WHEEL	87 to * G4, E4
8	40970-83	TIES/WHEEL ASSEMBLY, TERRA PLUS	87 to * G4, E4, G3, E3
	40972-83	TIRE/WHEEL ASSEMBLY, RIB	87 to * G4, E4, G3, E3
	40980-87	TIRE/WHEEL ASSEMBLY, TERRAGARD	87 to * G4, E4, G3, E3
9	41199-66A	MOUNTING BOLT, WHEEL HUB	87 to * G4, E4, G3, E3
10	42996-83	WHEEL RIM, BEAD LOCK, WHITE	87 to * G4, E4, G3, E3
11	43103-72	TIRE, RIB	87 to * G4, E4, G3, E3
	43105-83	TIRE, TERRA PLUS, DEEP THREAD	87 to * G4, E4, G3, E3
	43106-87	TIRE, TERRAGARD	87 to * G4, E4, G3, E3
12	43152-66	NUT, WHEEL	87 to * G4, E4, G3, E3
13	43156-63	VALVE WITH CORE	87 to * G4, E4, G3, E3
14	43481-87	HUB, FRONT WHEEL W/BEARINGS	87 to * G4, E4
15	43158-65	TIRE VALVE EXTENSION, FRONT WHEEL	87 to * G3, E3
16	43601-83	HUB CAP, RIGHT FRONT	87 to * G3, E3
17	43602-83	HUB CAP, LEFT FRONT, W/VALVE STEM HOLE	87 to * G3, E3
18	43603-83	HUB CAP, 4/WHEEL AND 3/WHEEL REAR	87 to * G4, E4, G3, E3
	43605-87	HUB CAP, 4/WHEEL AND 3/WHEEL REAR	87 to * G4, E4, G3, E3
	43606-87	HUB CAP, 4/WHEEL AND 3/WHEEL REAR	87 to * G4, E4, G3, E3
19	43614-66A	HUB ASSEMBLY, FRONT WHEEL	87 to * G3, E3
20	43732-63A	OIL SEAL, FRONT WHEEL	87 to * G3, E3
21	43738-81	SPACER, FRONT AXLE	87 to * G3, E3
22	43874-81	FRONT AXLE	87 to * G3, E3



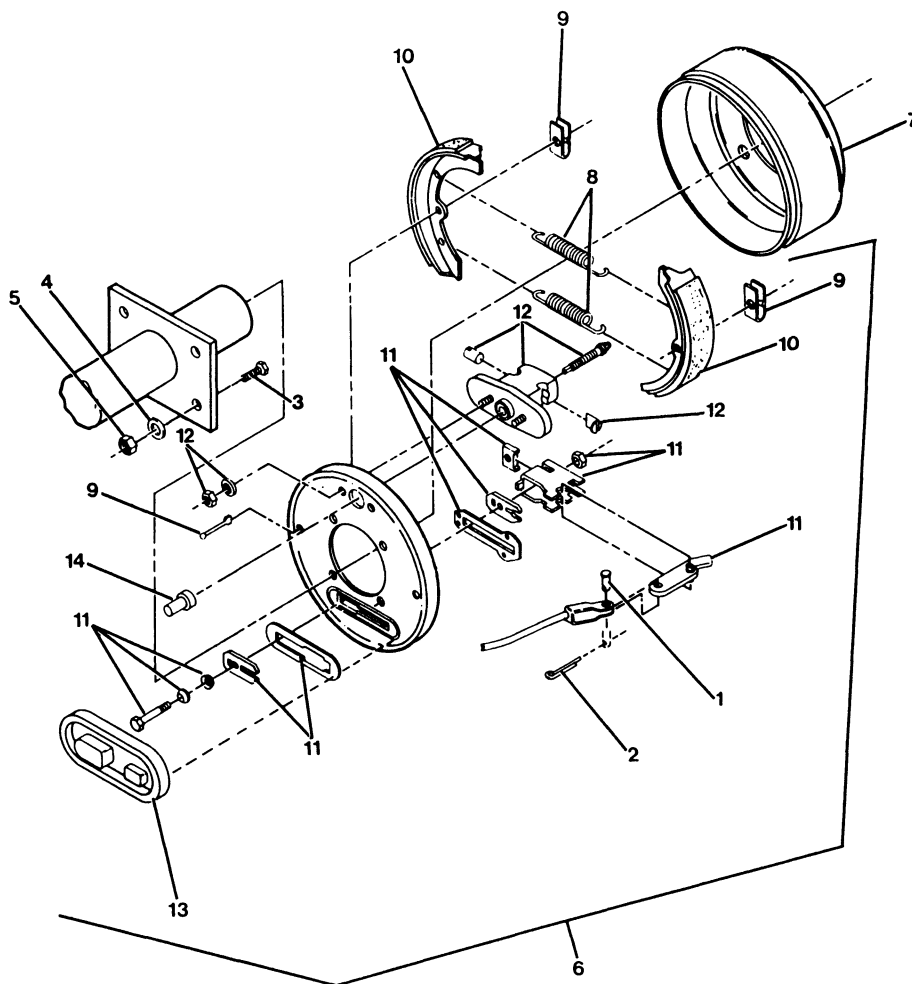
FRONT SUSPENSION - G4

FRONT SUSPENSION - G4

INDEX NO.	PART NO.	NAME	USED ON
1	520-W	COTTER PIN (3)	87 to * G4, E4
2	534	COTTER PIN (2)	87 to * G4, E4
3	4053-W	SCREW, 5/16-24x2 (4)	87 to * G4, E4
4	4252	SHOULDER BOLT, A-ARM (2)	87 to * G4, E4
5	4253	SCREW, 7/16-20x3-1/2 (2)	87 to * G4, E4

FRONT SUSPENSION – G4 (CONTINUED)

INDEX NO.	PART NO.	NAME	USED ON
6	6346	WASHER, PLASTIC (4)	87 to * G4, E4
7	6417-W	WASHER, 3/8 (4)	87 to * G4, E4
8	6702	WASHER, 5/16 (4)	87 to * G4, E4
9	7725	LOCKNUT, 5/16-24 (4)	87 to * G4, E4
10	7764	JAM NUT, 5/16-18 RIGHT HAND THREAD	87 to * G4, E4
11	7765	JAM NUT 5/16-18 LEFT HAND (2) THREAD	87 to * G4, E4
12	7775	LOCKNUT, 3/8-24 (4)	87 to * G4, E4
13	7825	LOCKNUT, 7/16-20 (2)	87 to * G4, E4
14	7836	CASTLE NUT, 7/16-20 (5)	87 to * G4, E4
15	9853	GREASE FITTING (7)	87 to * G4, E4
16	43929-86	LEAF SPRING	87 to * G4, E4
17	43934-82	PIVOT BLOCK (2)	87 to * G4, E4
18	43945-86	SLEAVE, LEAF SPRING END (2)	87 to * G4, E4
19	43937-86	BUSHING, A-ARM (4)	87 to * G4, E4
20	43938-86	BUSHING, STEERING ARM (4)	87 to * G4, E4
21	43944-86A	A-ARM (2)	87 to * G4, E4
22	43946-86	CAMBER ADJUSTER (4)	87 to * G4, E4
23	43947-86	LOCK, CAMBER ADJUSTER (4)	87 to * G4, E4
24	47598-86	RETAINER PLATE, LEAF SPRING	87 to * G4, E4
25	57122-86	TIE ROD, LONG	87 to * G4, E4
26	57123-86	TIE ROD, SHORT	87 to * G4, E4
27	57126-86	DUST BOOT ROD END (3)	87 to * G4, E4
28	57131-86	TIE ROD END ASSEMBLY LEFT HAND THREAD (2)	87 to * G4, E4
29	57132-86	TIE ROD END ASSEMBLY RIGHT HAND THREAD	87 to * G4, E4
30	57159-86	STEERING ARM, LEFT	87 to * G4, E4
31	57160-86B	STEERING ARM, RIGHT	87 to * G4, E4
32	57195-86	KING PIN	87 to * G4, E4
33	57197-86	STUD, DOUBLE END (2)	87 to * G4, E4

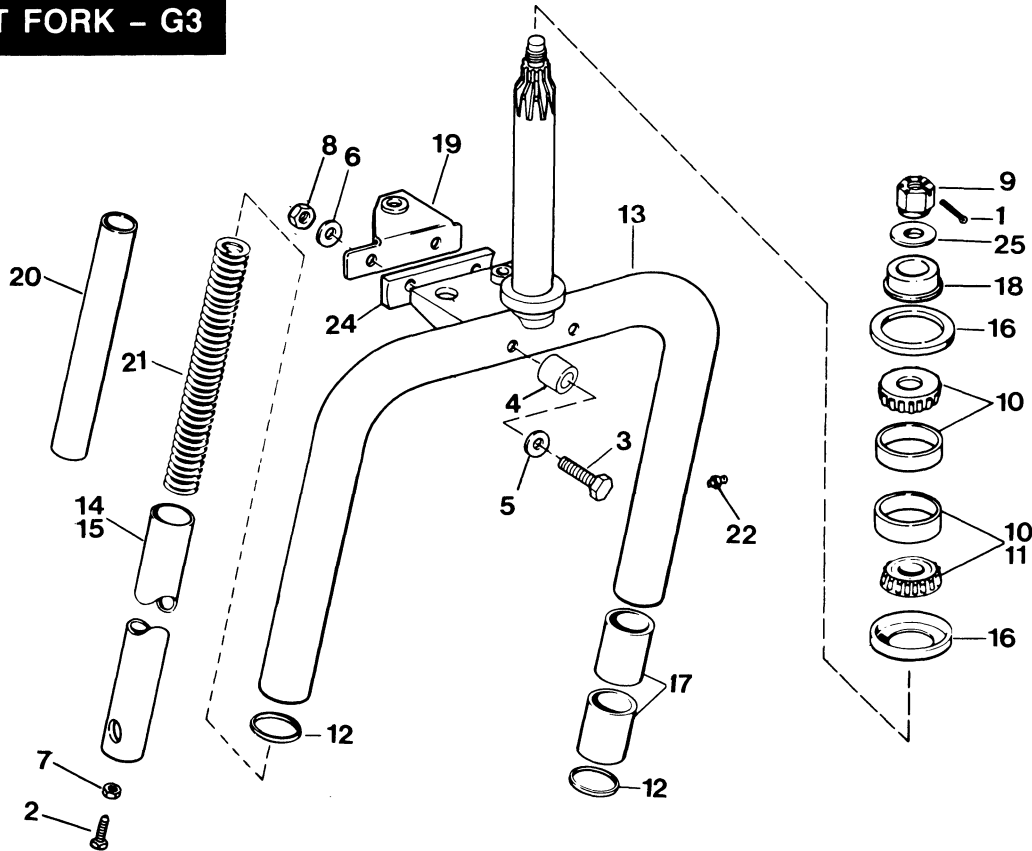


BRAKE ASSEMBLY – G3, G4, E3, E4

BRAKE ASSEMBLY – G3, G4, E3, E4

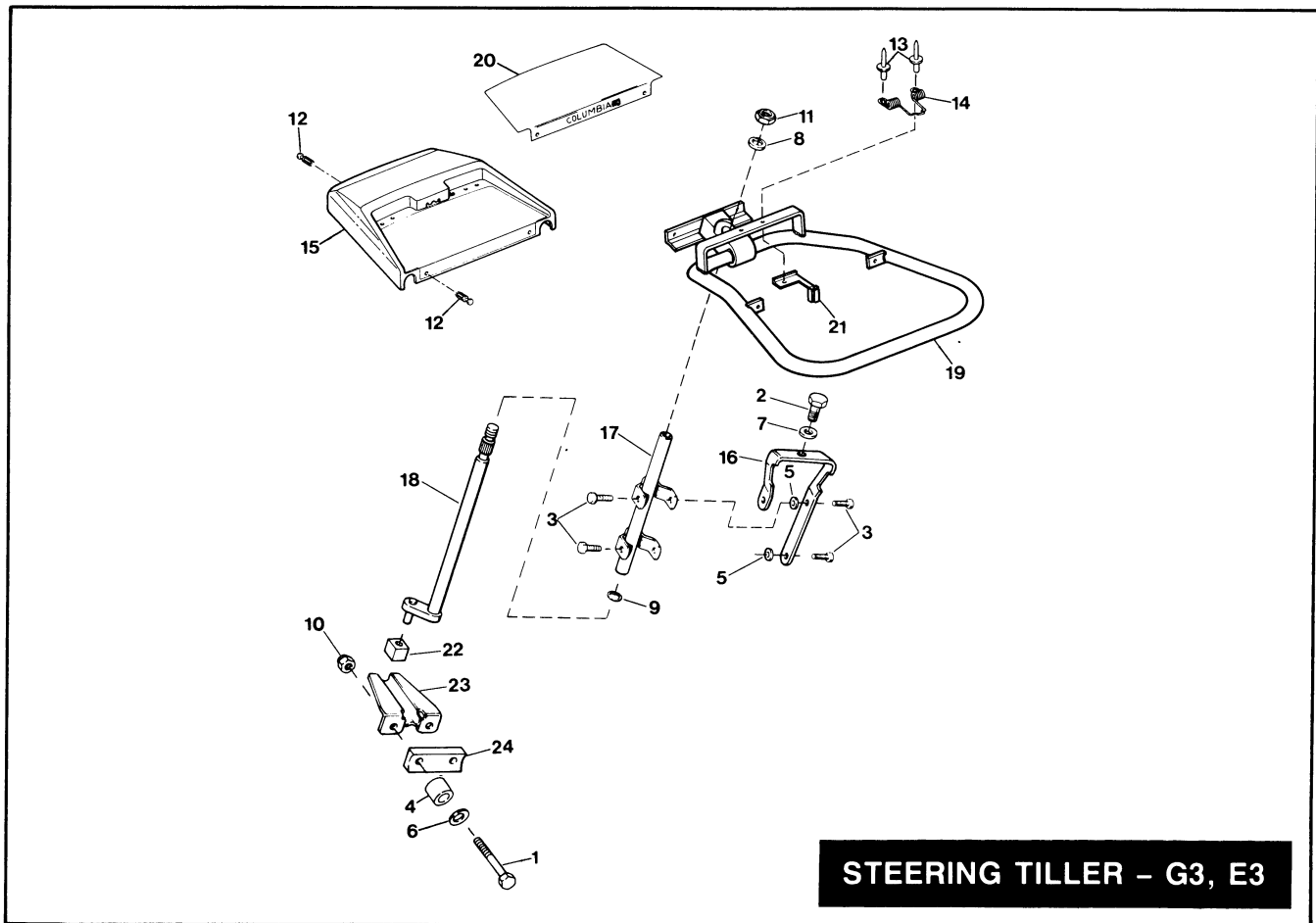
INDEX NO.	PART NO.	NAME	USED ON
1	497	CLEVIS PIN, BRAKE CABLE	87 to * G4, G3, E4, E3
2	520-W	COTTER PIN	87 to * G4, G3, E4, E3
3	3987	BOLT (8)	87 to * G4, G3, E4, E3
4	7041	LOCKWASHER (8)	87 to * G4, G3, E4, E3
5	7748-W	NUT (8)	87 to * G4, G3, E4, E3
6	41813-86	BRAKE ASSEMBLY, LEFT (DOES NOT INCLUDE DRUM)	87 to * G4, G3, E4, E3
	41814-86	BRAKE ASSEMBLY, RIGHT (DOES NOT INCLUDE DRUM)	87 to * G4, G3, E4, E3
7	41815-86	BRAKE DRUM (2)	87 to * G4, G3, E4, E3
8	41816-86	SPRING, BRAKE SHOE	87 to * G4, G3, E4, E3
9	41817-86	RETAINER ASSEMBLY, BRAKE SHOE	87 to * G4, G3, E4, E3
10	41819-86	BRAKE SHOE ASSEMBLY (4)	87 to * G4, G3, E4, E3
11	41820-86	ACTUATOR ASSEMBLY, BRAKE	87 to * G4, G3, E4, E3
12	41821-86	ADJUSTER ASSEMBLY	87 to * G4, G3, E4, E3
13	41822-86	DUST COVER	87 to * G4, G3, E4, E3
14	41823-86	RUBBER CAP, ADJUSTMENT BOLT	87 to * G4, G3, E4, E3

FRONT FORK - G3



FRONT FORK - G3

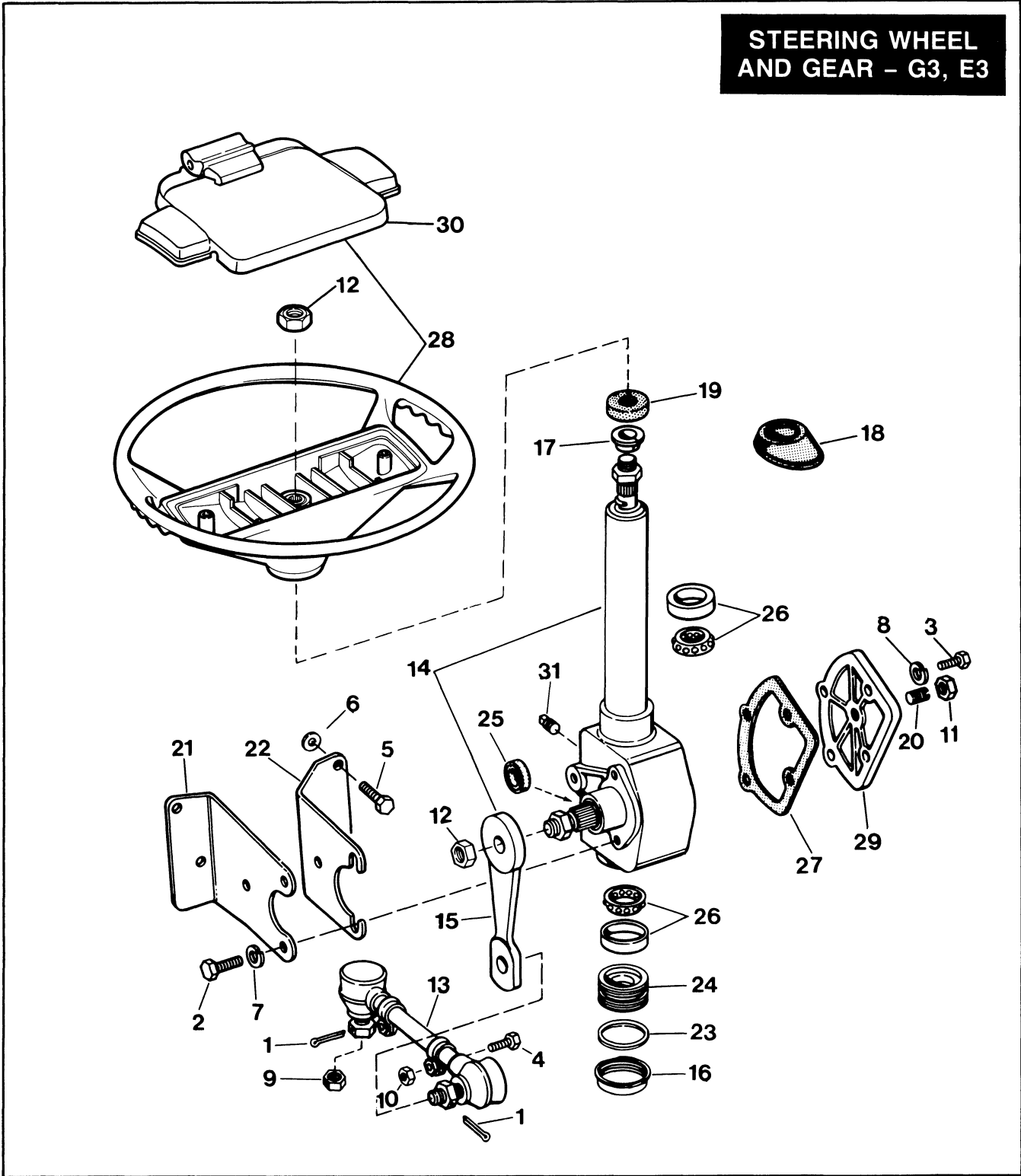
INDEX NO.	PART NO.	NAME	USED ON
1	559	COTTER PIN	87 to * G3, E3
2	3239W	BOLT	87 to * G3, E3
3	3453	BOLT (2)	87 to * G3, E3
4	5950	SPACER (2)	87 to * G3, E3
5	6440B	SHIM, TURNING RADIUS/WHEEL CLEARANCE (AS REQUIRED)	87 to * G3, E3
6	6701	WASHER (2)	87 to * G3, E3
7	7676	NUT	87 to * G3, E3
8	7778	LOCKNUT (2)	87 to * G3, E3
9	7947W	CASTLE NUT	87 to * G3, E3
10	9045	ROLLER BEARING (2-1984, 1-1985 AND LATER)	87 to * G3, E3
11	9051	ROLLER BEARING	87 to * G3, E3
12	12009	SEAL (2)	87 to * G3, E3
13	45529-74	FORK WITH BUSHINGS	87 to * G3, E3
14	45593-70	FORK SLIDER, RIGHT	87 to * G3, E3
15	45594-70	FORK SLIDER, LEFT	87 to * G3, E3
16	45599-63	BEARING GUARD, STEERING HEAD	87 to * G3, E3
16A	45599-70	BEARING GUARD, STEERING HEAD	87 to * G3, E3
17	45630-70	BUSHING, FORK TUBE (4)	87 to * G3, E3
18	45632-85	SPACER, FORK STEM	87 to * G3, E3
19	45652-74	BRACKET, FORK STEERING ONLY	87 to * G3, E3
20	46047-70	LINER, FORK SPRING (2)	87 to * G3, E3
21	46049-63A	SPRING (2)	87 to * G3, E3
22	50972-75	GREASE FITTING (2)	87 to * G3, E3
23	57203-74	CHANNEL, SLIDER BLOCK, TILLER ONLY	87 to * G3, E3
24	57204-74	SPACER	87 to * G3, E3
25	83975-37A	WASHER	87 to * G3, E3



STEERING TILLER – G3, E3

INDEX NO.	PART NO.	NAME	USED ON
1	2828W	BOLT (2)	87 to * G3, E3
2	3960W	BOLT	87 to * G3, E3
3	4319	BOLT (4)	87 to * G3, E3
4	5950	SPACER (2)	87 to * G3, E3
5	6418B	WASHER (STEERING WHEEL) (2)	87 to * G3, E3
6	6440B	SHIM, TURNING RADIUS/WHEEL CLEARANCE (AS REQUIRED)	87 to * G3, E3
7	6702	WASHER	87 to * G3, E3
8	6714W	WASHER	87 to * G3, E3
9	6809	THRUSTWASHER, TILLER SHAFT-UPPER (2)	87 to * G3, E3
10	7778	LOCKNUT (2)	87 to * G3, E3
11	7993	LOCKNUT	87 to * G3, E3
12	8207	PUSH RIVET (4)	87 to * G3, E3
13	8483	RIVET, SCORE CARD SPRING (2)	87 to * G3, E3
14	31407-80A	SPRING, SCORE CARD	87 to * G3, E3
15	31413-84	HOLDER, SCORE CARD	87 to * G3, E3
16	45584-63C	BRACKET, STEERING HEAD (TILLER)	87 to * G3, E3
17	57011-74	TILLER SHAFT TUBE ASSEMBLY	87 to * G3, E3
18	57021-74	TILLER SHAFT	87 to * G3, E3
19	57026-84	TILLER BAR	87 to * G3, E3
20	57032-84	MAT, SCORD CARD HOLDER	87 to * G3, E3
21	57037-84	PENCIL HOLDER	87 to * G3, E3
22	57202-74	SLIDER BLOCK, TILLER	87 to * G3, E3
23	57203-74	CHANNEL, SLIDER BLOCK	87 to * G3, E3
24	57204-74	SPACER	87 to * G3, E3

STEERING WHEEL AND GEAR – G3, E3



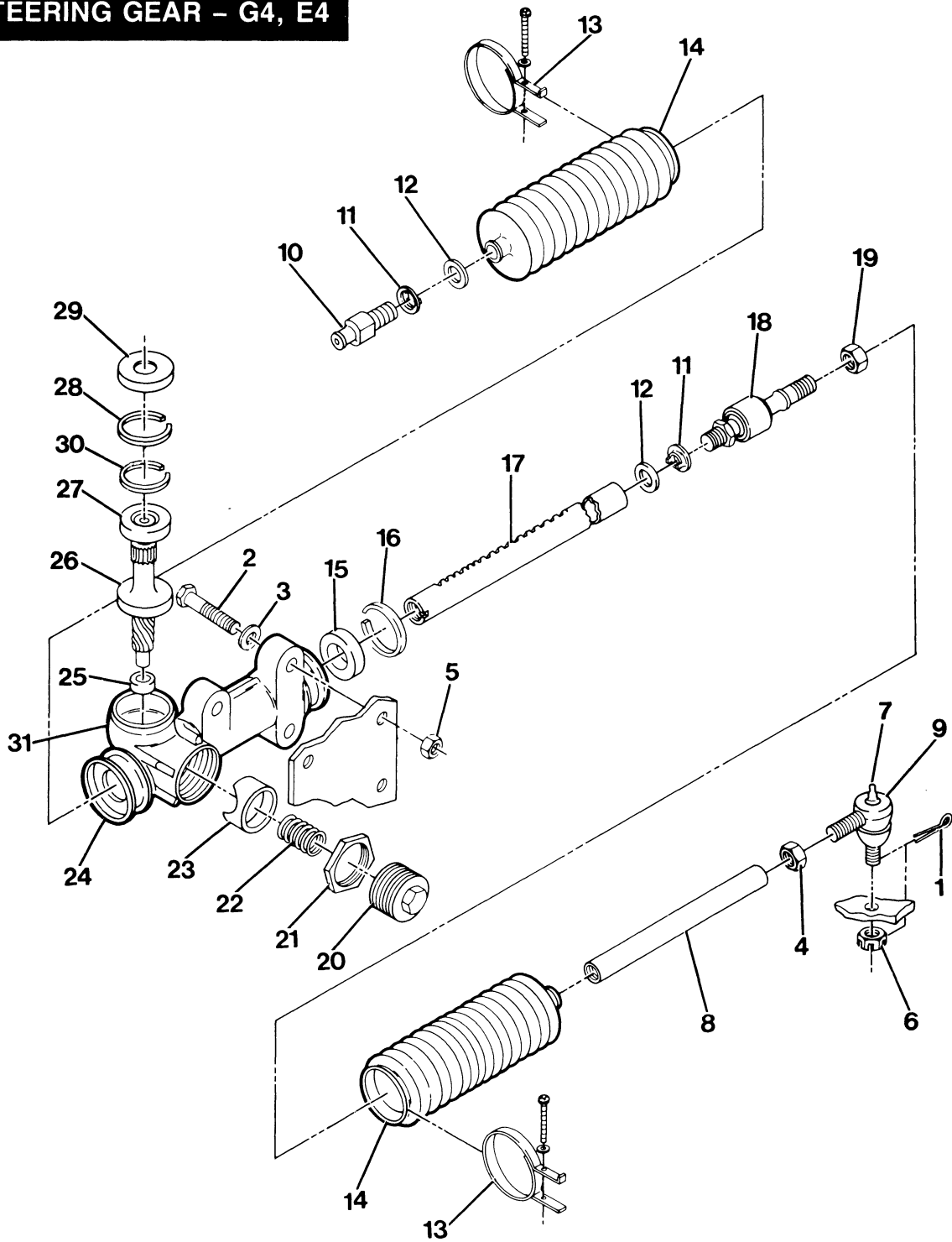
STEERING WHEEL AND GEAR – G3, E3

INDEX NO.	PART NO.	NAME	USED ON
1	554	COTTER PIN, 1/8×1-1/4 (2)	87 to * G3, E3
2	3782	BOLT, 7/16-14×1-1/4 HEX HD. (3)	87 to * G3, E3
3	3991	BOLT, 5/16-18×7/8 HEX HD. (4)	87 to * G3, E3

STEERING WHEEL AND GEAR – G3, E3 (CONTINUED)

INDEX NO.	PART NO.	NAME	USED ON
4	4014W	BOLT, 5/16-24×1-1/4 HEX HD. (4)	87 to * G3, E3
5	4319	BOLT, 3/8-24×1 HEX HD. (6)	87 to * G3, E3
6	6418B	WASHER, 3/8×1-1/8×11/64 (3)	87 to * G3, E3
7	7039	LOCKWASHER, 7/16 (3)	87 to * G3, E3
8	7041	LOCKWASHER, 5/16 (4)	87 to * G3, E3
9	7607B	CASTLE NUT, 1/2-20×7/16×3/4 HEX (2)	87 to * G3, E3
10	7753	NUT, 5/16-24×1/4×1/2 HEX (2)	87 to * G3, E3
11	7845	NUT, 1/4-20×7/16×3/4 HEX	87 to * G3, E3
12	7995	NUT, 5/8-18×3/8×15/16 (2)	87 to * G3, E3
13	57063-67	TIE ROD, STEERING ARM	87 to * G3, E3
14	57064-69	STEERING GEAR ASSEMBLY	87 to * G3, E3
15	57065-67	ARM, STEERING GEAR	87 to * G3, E3
16	57066-68	LOCKNUT, STEERING GEAR END CAP	87 to * G3, E3
17	57067-68	BUSHING, STEERING SHAFT (NYLON)	87 to * G3, E3
18	57068-67	BOOT, STEERING COLUMN (RUBBER)	87 to * G3, E3
19	57070-68	SPACER, STEERING COLUMN DIRT GUARD	87 to * G3, E3
20	57071-68	ADJUSTING SCREW, STEERING GEAR WORM	87 to * G3, E3
21	57072-67	FRONT BRACKET, STEERING GEAR	87 to * G3, E3
22	57073-67	REAR BRACKET, STEERING GEAR	87 to * G3, E3
23	57074-68	SEAL, END CAP	87 to * G3, E3
24	57076-68	END CAP	87 to * G3, E3
25	57081-67	SEAL, STEERING SHAFT	87 to * G3, E3
26	57082-67	SET OF BEARINGS AND CUPS, WORM SHAFT	87 to * G3, E3
27	57084-67	GASKET, SIDE COVER	87 to * G3, E3
28	57085-84A	STEERING WHEEL	87 to * G3, E3
29	57088-67	SIDE COVER	87 to * G3, E3
30	57089-84A	SCORE CARD HOLDER ASSEMBLY	87 to * G3, E3
31	57090-67	FILLER PLUG	87 to * G3, E3

STEERING GEAR - G4, E4



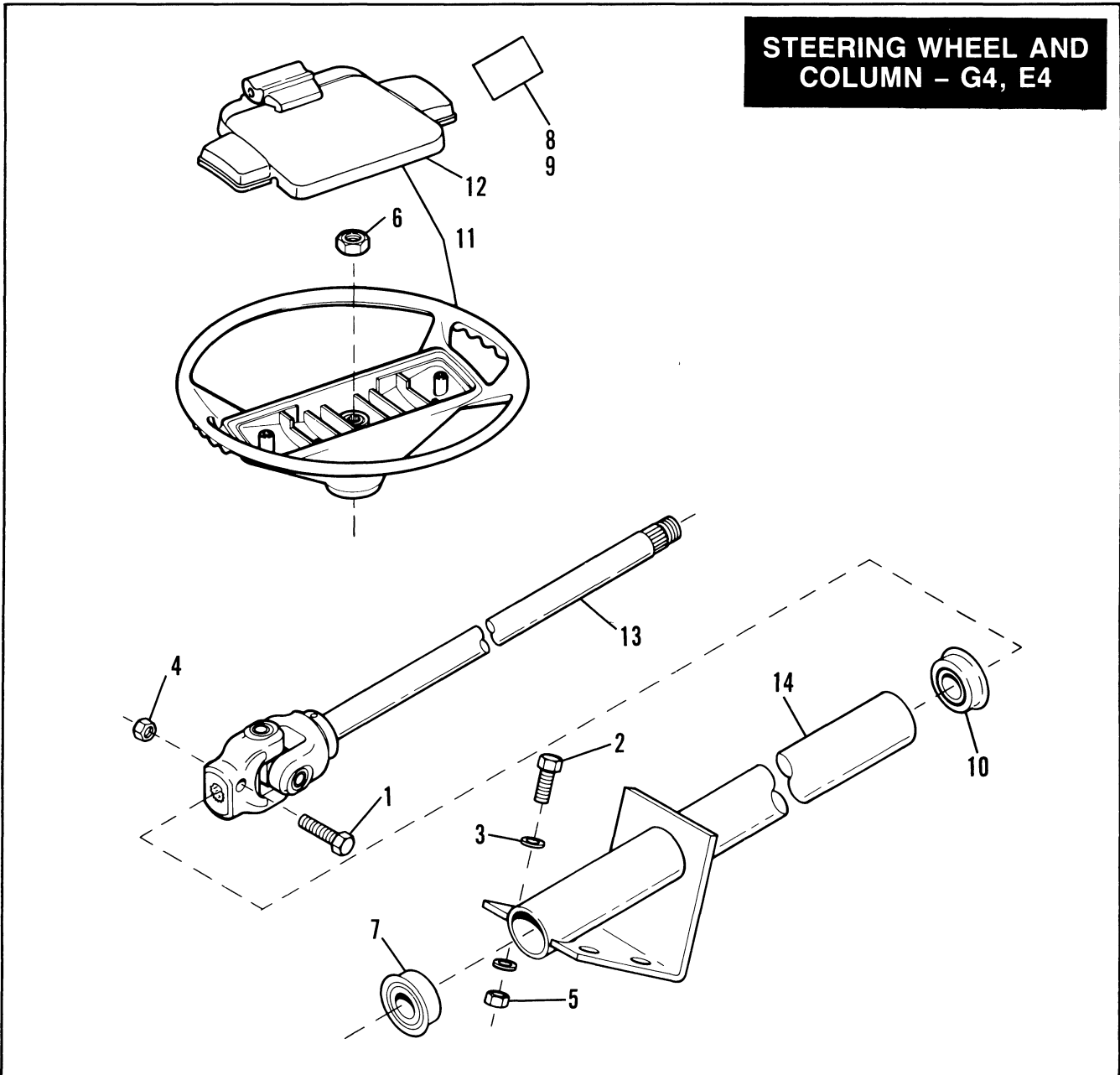
STEERING GEAR - G4, E4

INDEX NO.	PART NO.	NAME	USED ON
1	520-W	COTTER PIN	87 to * G4, E4
2	4411	BOLT, 3/8-24x1-3/4 (3)	87 to * G4, E4
3	6701	WASHER, 3/8 (3)	87 to * G4, E4
4	7765	NUT, JAM LEFT HAND 9/16-18	87 to * G4, E4
5	7775	LOCKNUT, 3/8-24	87 to * G4, E4

STEERING GEAR – G4, E4 (CONTINUED)

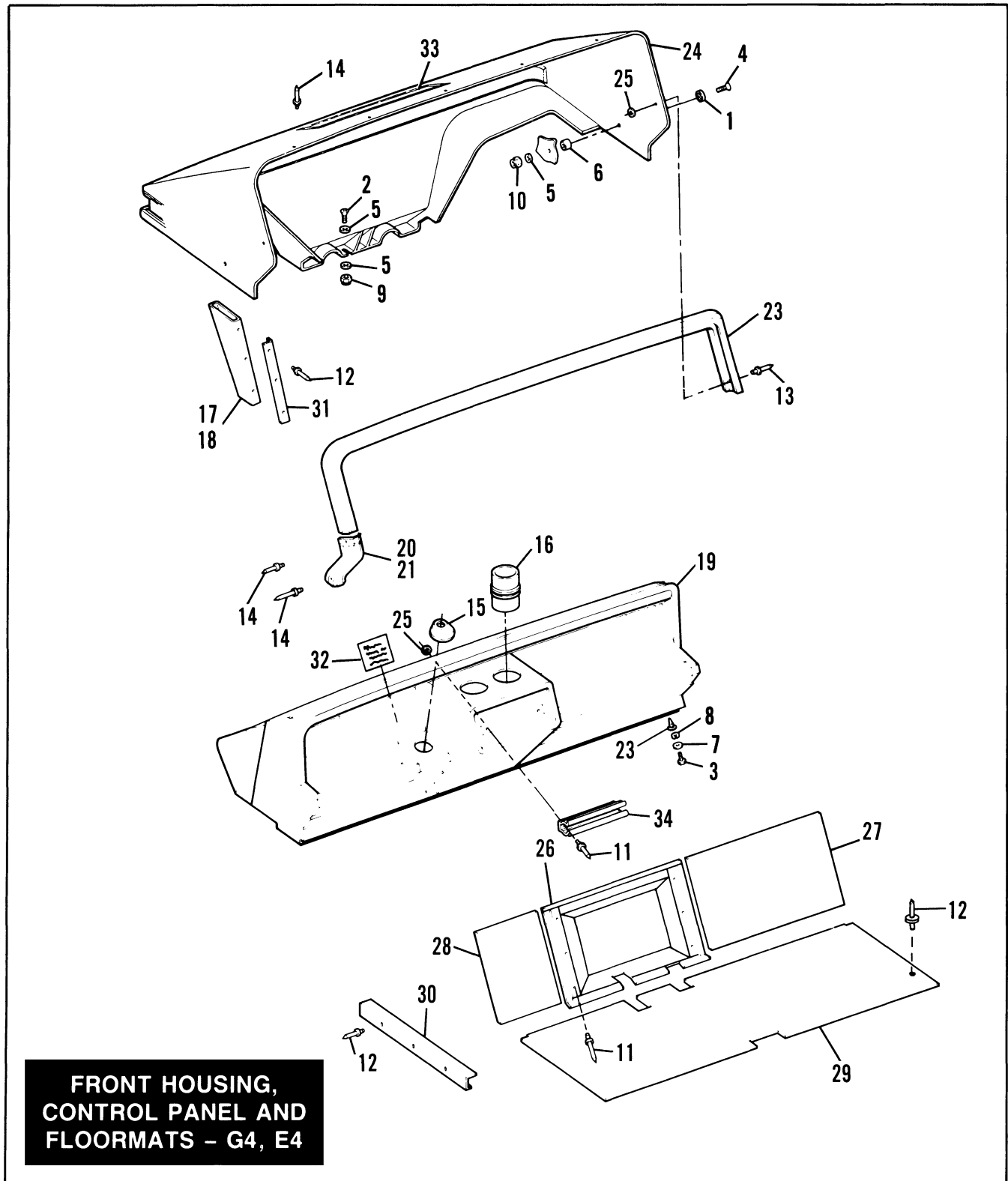
INDEX NO.	PART NO.	NAME	USED ON
6	7836	CASTLE NUT	87 to * G4, E4
7	9853	GREASE FITTING	87 to * G4, E4
8	57123-86	TIE ROD, SHORT	87 to * G4, E4
9	57131-86	TIE ROD END ASSEMBLY, LEFT HAND	87 to * G4, E4
10	57164-86	BOLT, STOPPER, 12 MM	87 to * G4, E4
11	57165-86	LOCKWASHER	87 to * G4, E4
12	57166-86	WASHER, TIE ROD STOPPER	87 to * G4, E4
13	57167-86	CLAMP	87 to * G4, E4
14	57168-86	BOOT, DUST	87 to * G4, E4
15	57169-86	BUSHING, RACK	87 to * G4, E4
16	57170-86	SNAP RING	87 to * G4, E4
17	57171-86	RACK, STEERING	87 to * G4, G3
18	57172-86	END, RACK	87 to * G4, E4
19	57173-86	NUT, 12 MM	87 to * G4, E4
20	57174-86	SCREW, RACK GUIDE	87 to * G4, E4
21	57175-86	LOCKNUT, RACK SCREW	87 to * G4, E4
22	57176-86	SPRING, RACK GUIDE	87 to * G4, E4
23	57177-86	GUIDE, STEERING RACK	87 to * G4, E4
24	57178-86	HOUSING, STEERING GEAR	87 to * G4, E4
25	57179-86	BUSHING, PINION	87 to * G4, E4
26	57180-86	PINION, STEERING	87 to * G4, E4
27	57181-86	BEARING	87 to * G4, E4
28	57182-86	SNAP RING, INTERNAL	87 to * G4, E4
29	57183-86	DUST SEAL	87 to * G4, E4
30	57184-86	SNAP RING, EXTERNAL	87 to * G4, E4
31	57226-86	GEAR BOX, COMPLETE	87 to * G4, E4

STEERING WHEEL AND COLUMN - G4, E4



STEERING WHEEL AND COLUMN - G4, E4

INDEX NO.	PART NO.	NAME	USED ON
1	2872-W	BOLT, 5/16-18×1-1/2	87 to * G4, E4
2	4017	BOLT, 5/16-18×1 (4)	87 to * G4, E4
3	6702	WASHER, 5/16 (8)	87 to * G4, E4
4	7739	LOCKNUT, 5/16-18	87 to * G4, E4
5	7740	LOCKNUT, 5/16-18 (4)	87 to * G4, E4
6	7995	LOCKNUT, 5/8-18	87 to * G4, E4
7	9029	BEARING, STEERING COLUMN, LOWER	87 to * G4, E4
8	53276-86	LABEL, OPERATING INSTRUCTIONS	87 to * G4
9	53277-86	LABEL, OPERATING INSTRUCTIONS	87 to * E4
10	57067-87	BUSHING, STEERING COLUMN, UPPER	87 to * G4, E4
11	57085-84A	STEERING WHEEL	87 to * G4, E4
12	57089-84A	SCORE CARD HOLDER	87 to * G4, E4
13	57095-86	STEERING SHAFT AND JOINT	87 to * G4, E4
14	57140-86	STEERING COLUMN ONLY	87 to * G4, E4



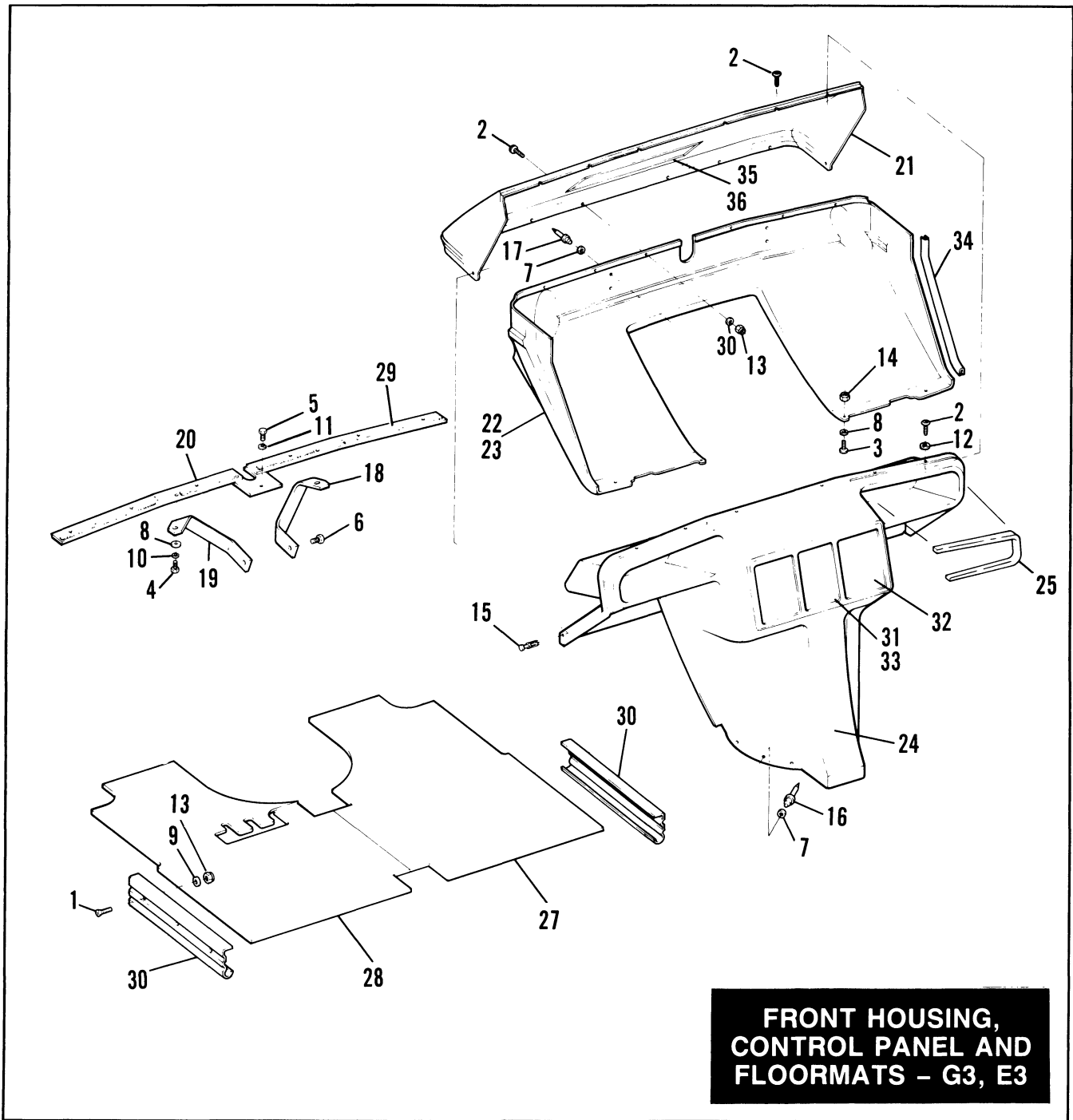
**FRONT HOUSING,
CONTROL PANEL AND
FLOORMATS - G4, E4**

FRONT HOUSING, CONTROL PANEL AND FLOORMATS - G4, E4

INDEX NO.	PART NO.	NAME	USED ON
1	2363	SCREW, 5/16-18×1-1/2 (2)	87 to * G4, E4
2	2551-W	SCREW, 1/4-20×1 (2)	87 to * G4, E4
3	3787	SCREW, 1/4-20×3/4 (4)	87 to * G4, E4

FRONT HOUSING, CONTROL PANEL AND FLOORMATS – G4, E4 (CONTINUED)

INDEX NO.	PART NO.	NAME	USED ON
4	6250	WASHER, FINISH (2)	87 to * G4, E4
5	6332-B	WASHER, 5/16 (6)	87 to * G4, E4
6	6607-W	SPACER (4)	87 to * G4, E4
7	6703	WASHER, 1/4 (4)	87 to * G4, E4
8	7036	LOCKWASHER, 1/4 (4)	87 to * G4, E4
9	7742	LOCKNUT, 1/4-20 (2)	87 to * G4, E4
10	7710-W	LOCKNUT, 5/16-18 (2)	87 to * G4, E4
11	8480	RIVET (8)	87 to * G4, E4
12	8482	RIVET (14)	87 to * G4, E4
13	8685	RIVET (2)	87 to * G4, E4
14	8693	RIVET (11)	87 to * G4, E4
15	11418	GROMMET	87 to * G4, E4
16	31410-86	BEVERAGE CUP	87 to * G4, E4
17	50176-86	SIDE PANEL, RIGHT	87 to * G4, E4
18	50177-86	SIDE PANEL, LEFT	87 to * G4, E4
19	50180-86	CONTROL PANEL	87 to * G4, E4
20	50187-86	TRIM, CONTROL PANEL, LEFT	87 to * G4, E4
21	50188-86	TRIM, CONTROL PANEL, RIGHT	87 to * G4, E4
22	50189-86	TRIM, CONTROL PANEL	87 to * G4, E4
23	50190-86	JACK NUT, CONTROL PANEL (4)	87 to * G4, E4
24	50300-86	FRONT BODY	87 to * G4, E4
25	50311-83	WASHER, RIVET BACK-UP	87 to * G4, E4
26	50588-86	FLOOR PAN	E87 to * G4, E4
	50588-87	FLOOR PAN WITH PEDAL STOP FOR CARS SK-10031-C7, SK-20292-C7 AND GK-10442-C7 AND LATER	87 to * G4, E4
27	50704-86	FLOORMAT, UPPER RIGHT	87 to * G4, E4
28	50705-86	FLOORMAT, UPPER LEFT	87 to * G4, E4
29	50706-86	FLOORMAT, LOWER	87 to * G4, E4
30	50754-86	TRIM, FLOORBOARD, LOWER (2)	87 to * G4, E4
31	50755-86	TRIM, FLOORBOARD, UPPER (2)	87 to * G4, E4
32	53268-86	LABEL, WARNING	87 to * G4, E4
33	61260-84	DECAL, "COLUMBIA" BLUE/RED	87 to * G4, E4
	61264-84	DECAL, "COLUMBIA" GOLD/BLACK	87 to * G4, E4
34	64007-86	BALL HOLDER	87 to * G4, E4

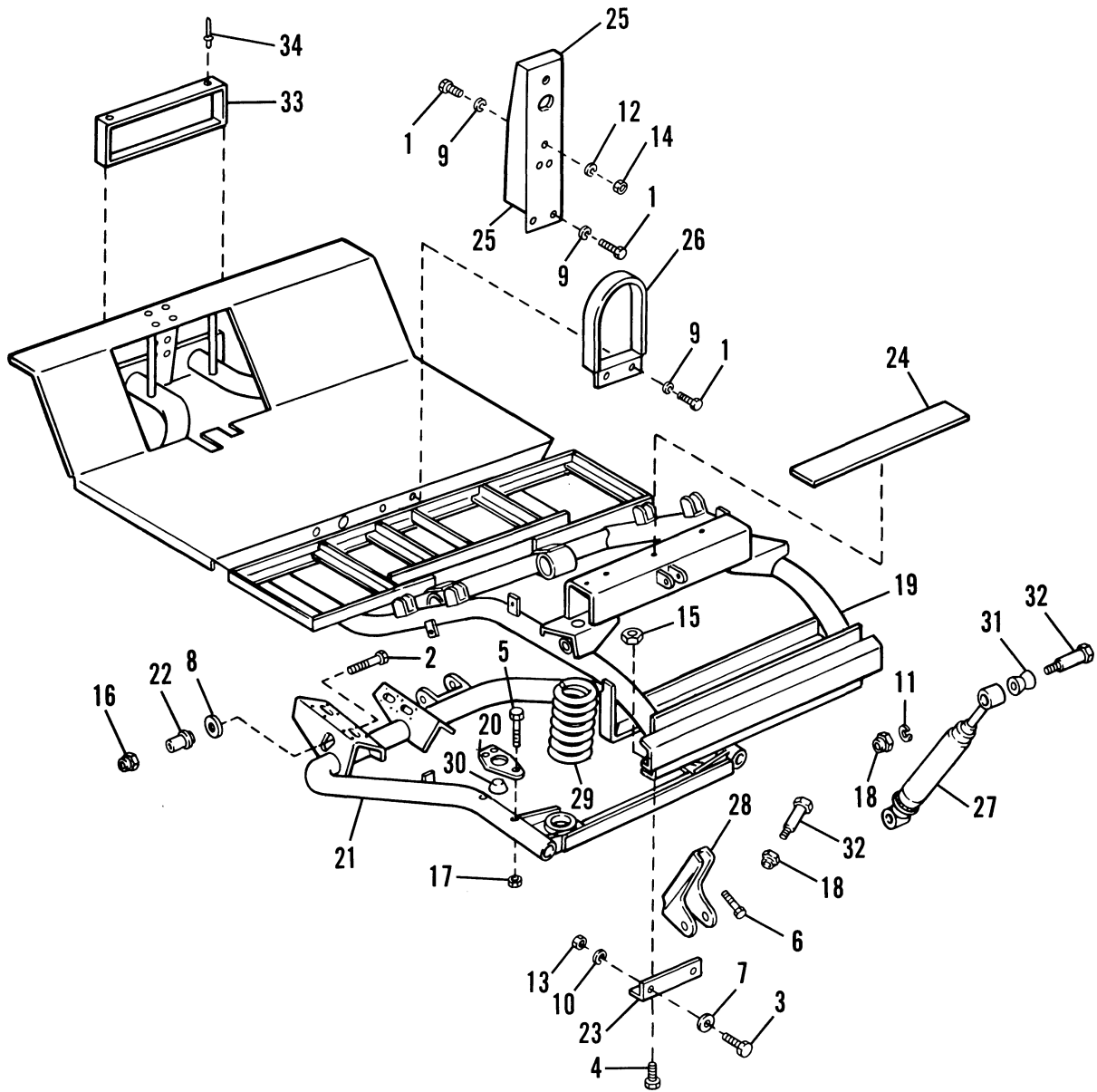


FRONT HOUSING, CONTROL PANEL AND FLOORMATS - G3, E3

INDEX NO.	PART NO.	NAME	USED ON
1	1784	SCREW, 10-24×3/4 IN. FLOOR TRIM (6)	87 to * G3, E3
2	2788	SCREW, 10-24×1 IN. (12)	87 to * G3, E3
3	3767B	SCREW, 1/4-20×5/8 (4)	87 to * G3, E3
4	3787	BOLT, 1/4×20×3/4 HEX HD. (2)	87 to * G3, E3
5	3960W	BOLT, 5/16-24×1 HEX HD.	87 to * G3, E3
6	4319	BOLT, 3/8-24×1 HEX HD. (2)	87 to * G3, E3
7	6150W	WASHER (10)	87 to * G3, E3
8	6703	WASHER, 1/4 (6)	87 to * G3, E3
9	6716	WASHER (6)	87 to * G3, E3
10	7036	LOCKWASHER, 1/4 (2)	87 to * G3, E3

FRONT HOUSING, CONTROL PANEL AND FLOORMATS – G3, E3 (CONTINUED)

INDEX NO.	PART NO.	NAME	USED ON
11	7041	LOCKWASHER, 5/16	87 to * G3, E3
12	7230	LOCKWASHER, INTERNAL TOOTH (6)	87 to * G3, E3
13	7624	LOCKNUT, 10-24 (6)	87 to * G3, E3
14	7742	LOCKNUT, 1/4-20 (4)	87 to * G3, E3
15	8207	RIVET, PUSH	87 to * G3, E3
16	8480	RIVET (6)	87 to * G3, E3
17	8685	RIVET (4)	87 to * G3, E3
18	45585-84	BRACKET, RIGHT FRONT HOUSING	87 to * G3, E3
19	45586-84	BRACKET, LEFT FRONT HOUSING	87 to * G3, E3
20	45590-85	BRACE ASSEMBLY, TOP FRONT HOUSING	87 to * G3, E3
21	50174-86	UPPER HOUSING	87 to * G3, E3
22	50175-86	LOWER HOUSING, TILLER	87 to * G3, E3
23	50196-86	LOWER HOUSING, STEERING	87 to * G3, E3
24	50204-85	CONTROL PANEL	87 to * G3, E3
25	50195-85	KIT, CONTROL PANEL GUARD	87 to * G3, E3
26	50311-83	WASHER	87 to * G3, E3
27	50528-84	FLOORMAT, RIGHT	87 to * G3, E3
28	50529-84	FLOORMAT, LEFT	87 to * G3, E3
29	50583-72	TAPE (FOAM STRIP), FRONT HOUSING	87 to * G3, E3
30	50752-85	TRIM, FLOORBOARD (2)	87 to * G3, E3
31	53267-85	LABEL, OPERATING	87 to * E3
32	53268-86	LABEL, WARNING	87 to * G3, E3
33	53270-85	LABEL, OPERATING	87 to * G3
34	58415-84	TRIM, LOWER HOUSING	87 to * G3, E3
35	61260-84	DECAL, "COLUMBIA" BLUE/RED	87 to * G3, E3
36	61264-84	DECAL, "COLUMBIA" GOLD/BLACK	87 to * G3, E3



**FRAME AND REAR SUSPENSION –
G3, E3, E4, G4**

E4 FRAME PICTURED

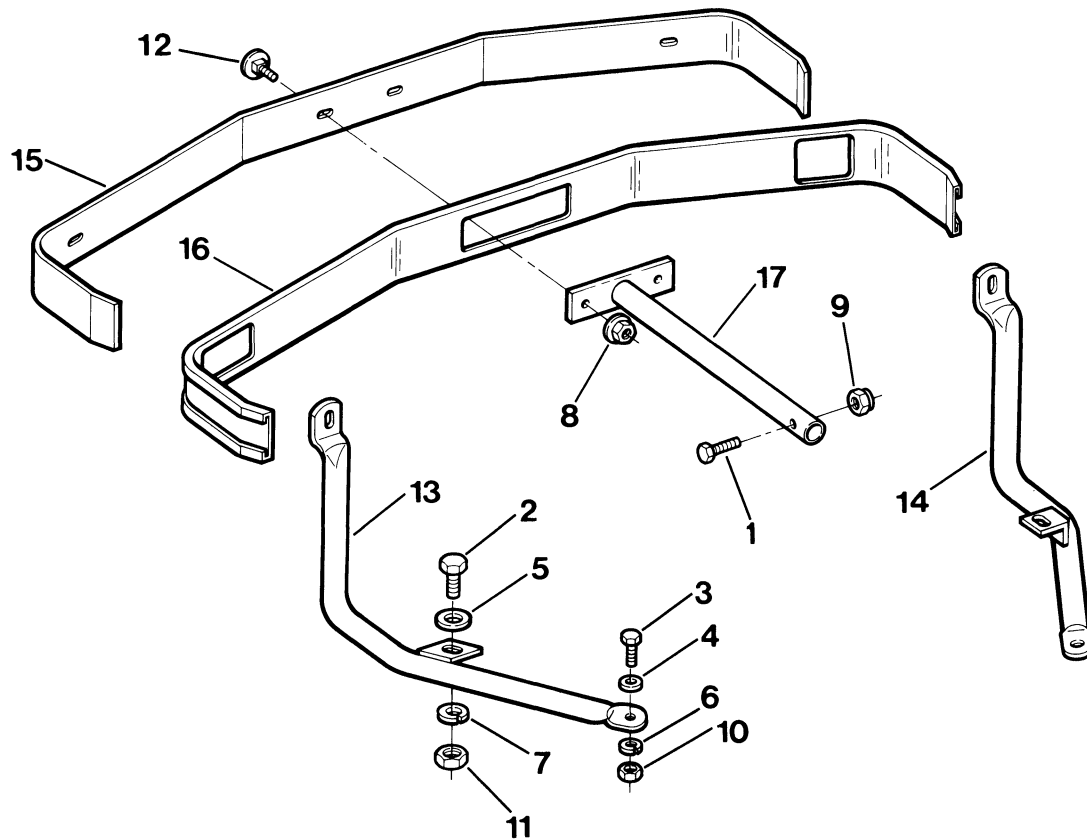
FRAME AND REAR SUSPENSION – G3, E3, E4, G4

INDEX NO.	PART NO.	NAME	USED ON
1	3787	BOLT, 1/4-20×3/4 (3)	87 to * G4, G3, E4, E3
2	3950	BOLT, 1/2-20×4-1/2 (2)	87 to * G4, G3, E4, E3
3	4017	BOLT, 5/16-18×1 (4)	87 to * G4, G3, E4, E3
4	4391	BOLT, 5/16-24×5/8 (4)	87 to * G4, G3, E4, E3
5	4434-W	BOLT, 3/8-24×3-1/4 (4)	87 to * G4, G3, E4, E3
6	4733	BOLT, 5/16-18×1	87 to * G4, G3, E4, E3

FRAME AND REAR SUSPENSION – G3, E3, E4, G4 (CONTINUED)

INDEX NO.	PART NO.	NAME	USED ON
7	5927	RUBBER WASHER (4)	87 to * G4, G3, E4, E3
8	6568-B	WASHER (2)	87 to * G4, G3, E4, E3
9	7036	LOCKWASHER (2)	87 to * G4, G3, E4, E3
10	7041	LOCKWASHER (4)	87 to * G4, G3, E4, E3
11	7068	LOCKWASHER (2)	87 to * G4, G3, E4, E3
12	7229-W	LOCKWASHER	87 to * G4, G3, E4, E3
13	7748-W	NUT, 5/16-18 (4)	87 to * G4, G3, E4, E3
14	7688	NUT, 1/4-20	87 to * G4, G3, E4, E3
15	7753	LOCKNUT (4)	87 to * G4, G3, E4, E3
16	7741	LOCKNUT (2)	87 to * G4, G3, E4, E3
17	7775	LOCKNUT (4)	87 to * G4, G3, E4, E3
18	7845	NUT (2)	87 to * G4, G3, E4, E3
19	47017-86	FRAME ASSEMBLY	87 to * G3
	47048-87	FRAME ASSEMBLY	87 to * E4
	47098-86	FRAME ASSEMBLY	87 to * E3
	47807-86A	FRAME ASSEMBLY	87 to * G4
20	47300-66A	BUMPER, PLATE (2)	87 to * G4, G3, E4, E3
21	47456-74	REAR FORK ASSEMBLY	87 to * E3, E4
	47459-82	REAR FORK ASSEMBLY	87 to * G3, G4
22	47524-66	BUSHING, REAR FORK (2)	87 to * G4, G3, E4, E3
23	50271-65	HINGE, BODY (2)	87 to * G4, G3, E4, E3
24	50275-66	CUSHION, BODY	87 to * G4, G3, E4, E3
25	50356-86	TOWER, CONTROLS	87 to * G3
	50369-86	TOWER, CONTROLS	87 to * G4
26	50381-87	GUIDE, BODY	87 to * E4, E3
27	54514-73	SHOCK ABSORBER	87 to * G4, G3, E4, E3
28	54524-73	LOWER BRACKET, SHOCK ABSORBER	87 to * G4, G3, E4, E3
29	54564-73	REAR SPRING (2)	87 to * E3, E4
	54566-73	REAR SPRING (2)	87 to * G3, G4
30	83004-72	RUBBER BUMPER (2)	87 to * G4, G3, E4, E3
31	85210-42A	RUBBER BUSHING (2)	87 to * G4, G3, E4, E3
32	85213-42A	SHOULDER BOLT, SHOCK (2)	87 to * G4, G3, E4, E3
33	91113-86	FRONT BUMPER COVER	87 to * G4, G3, E4, E3
34	8480	RIVET, BUMPER COVER	87 to * G4, E4

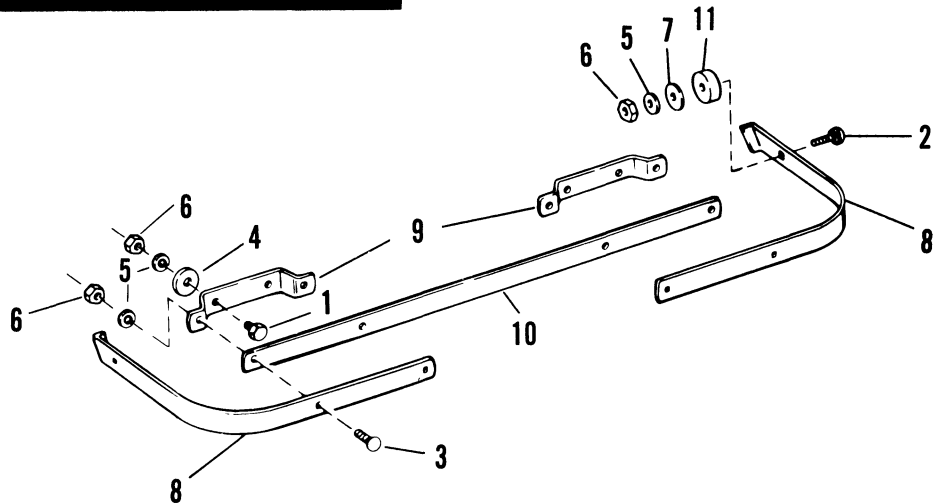
FRONT BUMPER – G3, E3



FRONT BUMPER – G3, E3

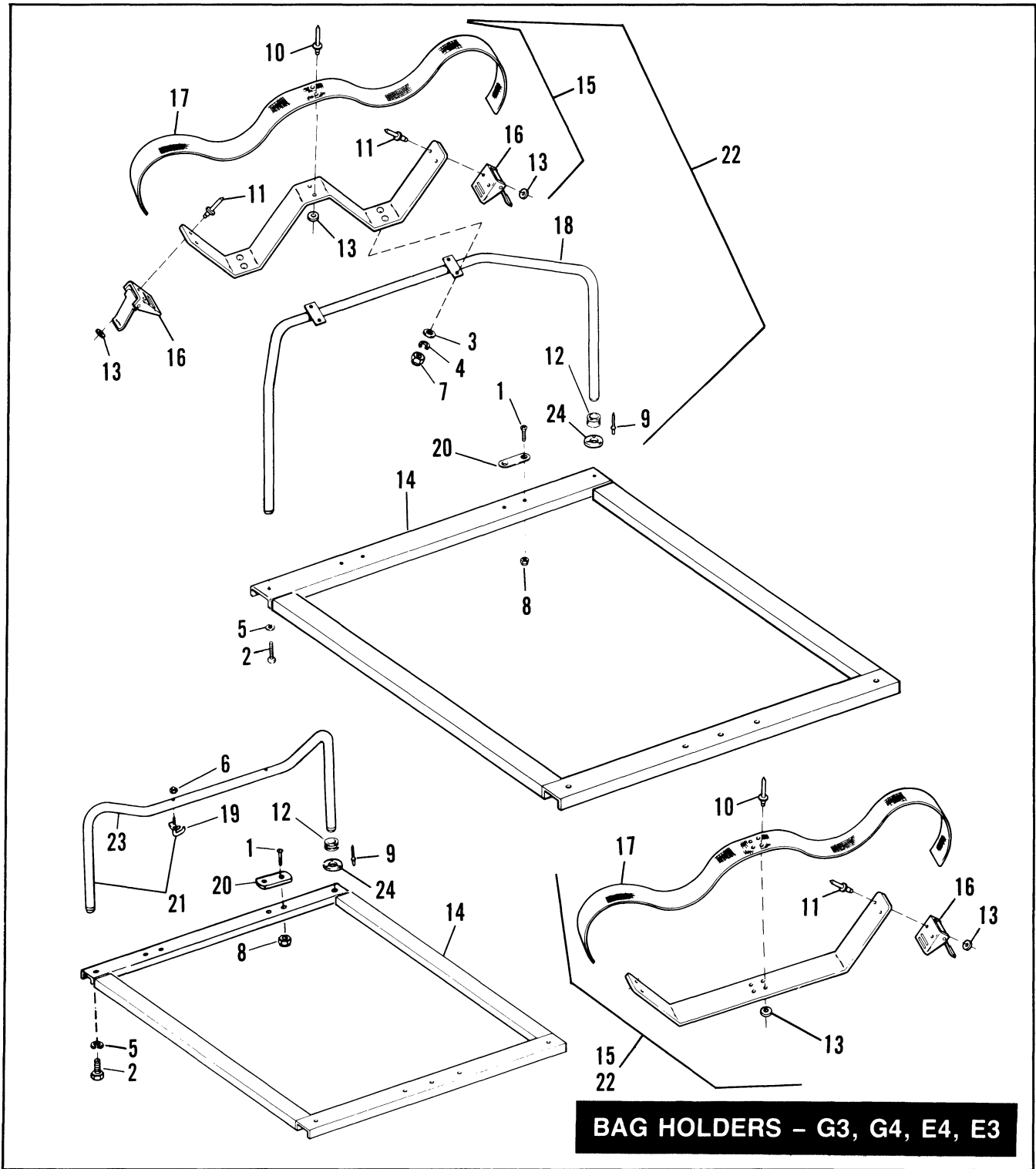
INDEX NO.	PART NO.	NAME	USED ON
1	2818	BOLT	87 to * G3, E3
2	3570	BOLT (2)	87 to * G3, E3
3	4337-W	BOLT (2)	87 to * G3, E3
4	5451	STEP BOLT (4)	87 to * G3, E3
5	6701	WASHER (2)	87 to * G3, E3
6	6718	WASHER (2)	87 to * G3, E3
7	7038	LOCKWASHER (2)	87 to * G3, E3
8	7068	LOCKWASHER (2)	87 to * G3, E3
9	7525	NUT (4)	87 to * G3, E3
10	7739	LOCKNUT	87 to * G3, E3
11	7800-W	NUT (2)	87 to * G3, E3
12	7880	NUT (2)	87 to * G3, E3
13	91071-85	BUMPER SUPPORT, LEFT	87 to * G3, E3
14	91072-85	BUMPER SUPPORT, RIGHT	87 to * G3, E3
15	91073-86	BUMPER, BLACK	87 to * G3, E3
16	91083-84	CENTER SUPPORT, FRONT BUMPER	87 to * G3, E3

REAR BUMPER – G3, G4, E4, E3



REAR BUMPER – G4, G3, E4, E3

INDEX NO.	PART NO.	NAME	USED ON
1	4017	BOLT (4)	87 to * G4, G3, E4, E3
2	5449-A	STEP BOLT (2)	87 to * G4, G3, E4, E3
3	5451	STEP BOLT (4)	87 to * G4, G3, E4, E3
4	5927	RUBBER WASHER (2)	87 to * G4, G3, E4, E3
5	7041	LOCKWASHER (10)	87 to * G4, G3, E4, E3
6	7748-W	NUT (6)	87 to * G4, G3, E4, E3
7	31067-63	WASHER (2)	87 to * G4, G3, E4, E3
8	44907-86	SIDE BUMPER, REAR (2)	87 to * G4, G3, E4, E3
9	44911-63	BRACKET, REAR BUMPER (2)	87 to * G4, G3, E4, E3
10	44914-63A	BUMPER, CENTER (REAR)	87 to * G4, G3, E4, E3
11	52329-85	SPACER (2)	87 to * G4, G3, E4, E3

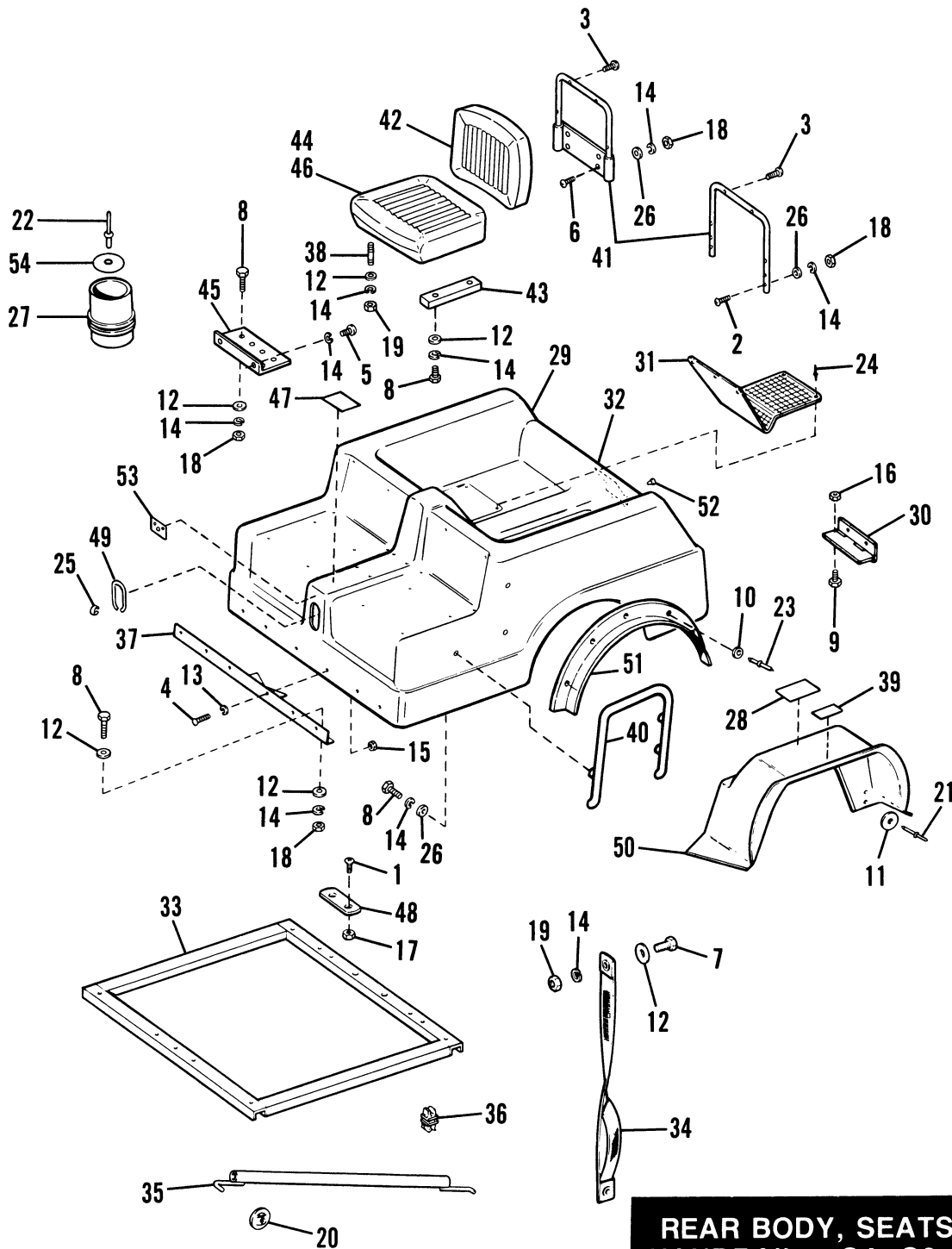


BAG HOLDERS - G3, G4, E4, E3

INDEX NO.	PART NO.	NAME	USED ON
1	1357W	SCREW (4)	87 to * G4, G3, E4, E3
2	3974HW	BOLT (2)	87 to * G4, G3, E4, E3
3	6228W	WASHER (4)	87 to * G4, G3, E4, E3
4	7036	LOCKWASHER (4)	87 to * G4, G3, E4, E3
5	7041	LOCKWASHER	87 to * G4, G3, E4, E3

BAG HOLDERS – G3, G4, E4, E3 (CONTINUED)

INDEX NO.	PART NO.	NAME	USED ON
6	7736	ACORN NUT (2) HOOK	87 to * G4, G3, E4, E3
7	7737W	ACORN NUT (4) (CRADLE)	87 to * G4, G3, E4, E3
8	7753	LOCKNUT (4)	87 to * G4, G3, E4, E3
9	8321	BLIND RIVET (6)	87 to * G4, G3, E4, E3
10	8480	BLIND RIVET	87 to * G4, G3, E4, E3
11	8641B	BLIND RIVET	87 to * G4, G3, E4, E3
12	11417	GROMMET (2)	87 to * G4, G3, E4, E3
13	50311-83	WASHER	87 to * G4, G3, E4, E3
14	50332-84	BODY REINFORCEMENT	87 to * G4, G3, E4, E3
15	53469-84	V-LOCK ASSEMBLY	87 to * G4, G3, E4, E3
	53469-87	CRADLE ASSEMBLY	87 to * G4, G3, E4, E3
16	53472-84	BUCKLE (2)	87 to * G4, G3, E4, E3
17	53473-84	STRAP, V-LOCK	87 to * G4, G3, E4, E3
	53473-87	STRAP, CRADLE	87 to * G4, G3, E4, E3
18	53481-84	HOLDER ASSEMBLY	87 to * G4, G3, E4, E3
19	53487-65	HOOK (2)	87 to * G4, G3, E4, E3
20	53491-65	REINFORCEMENT	87 to * G4, G3, E4, E3
21	53492-84	BAG HOLDER ASSEMBLY, COMPLETE (HOOK)	87 to * G4, G3, E4, E3
22	53493-84	BAG HOLDER ASSEMBLY, COMPLETE (V-LOCK)	87 to * G4, G3, E4, E3
	53493-87	BAG HOLDER ASSEMBLY, COMPLETE (CRADLE)	87 to * G4, G3, E4, E3
23	53499-84	HOLDER ASSEMBLY (HOOK), LESS HOOKS	87 to * G4, G3, E4, E3
24	53547-82	REINFORCEMENT RING	87 to * G4, G3, E4, E3

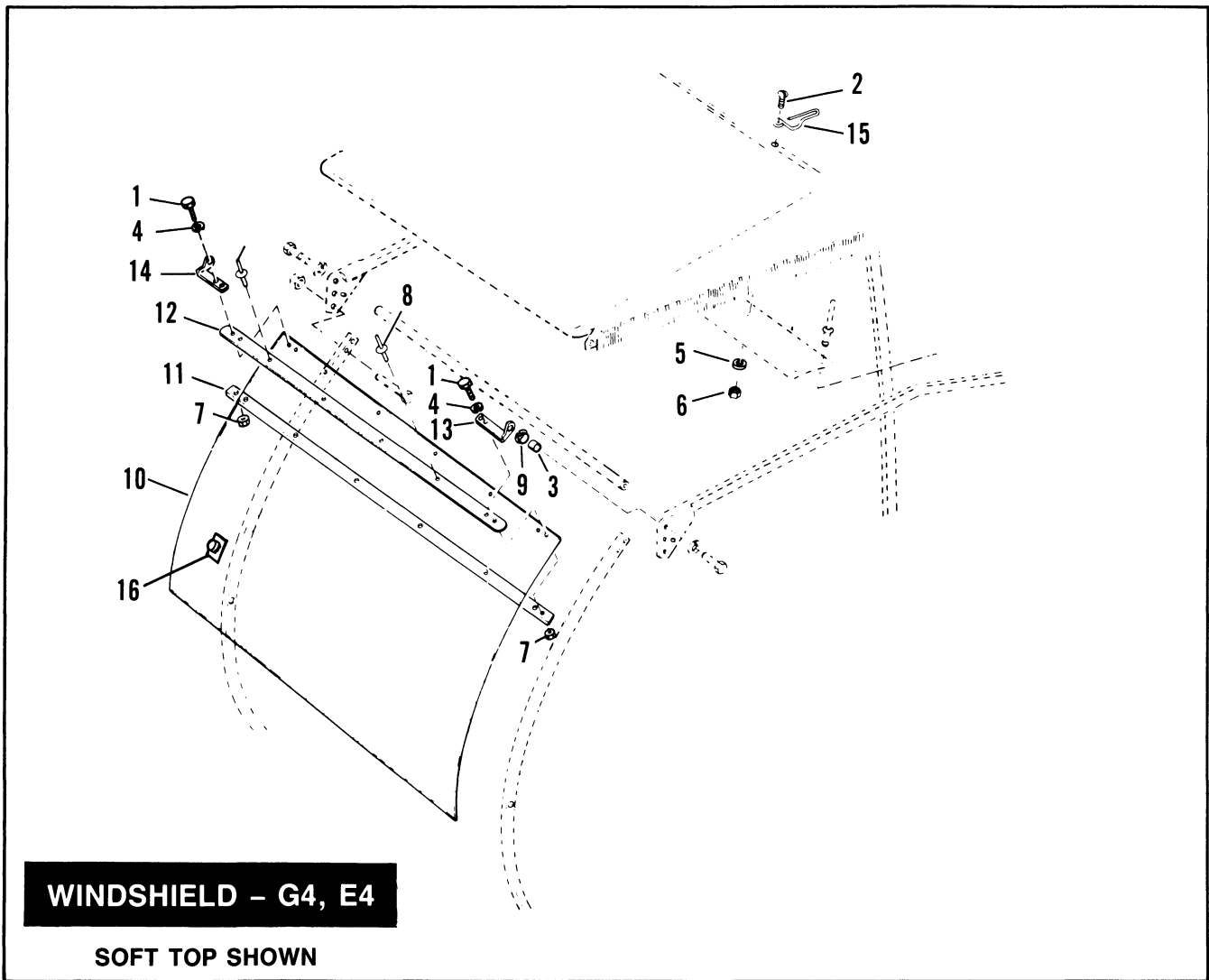


REAR BODY, SEATS, AND HANDRAIL - G4, G3, E4, E3

INDEX NO.	PART NO.	NAME	USED ON
1	1357-W	SCREW (4)	87 to * G4, G3, E4, E3
2	2363	SCREW (4)	L87 to * G4, G3, E4, E3
3	2365	SCREW (8)	87 to * G4, G3, E4, E3
4	2420	SCREW (6)	87 to * G4, G3, E4, E3
5	2818	SCREW (4)	87 to * G4, G3, E4, E3

REAR BODY, SEATS, AND HANDRAIL – G4, G3, E4, E3 (CONTINUED)

INDEX NO.	PART NO.	NAME	USED ON
6	3960-W	SCREW (8)	E87 to * G4, E4, G3, E3
7	3974-HW	SCREW	87 to * G4, E4, G3, E3
8	4017	BOLT	87 to * G4, E4, G3, E3
9	4391	BOLT (4)	87 to * G4, E4, G3, E3
10	6182-W	WASHER	87 to * G4, E4, G3, E3
11	6257-W	WASHER	87 to * G4, E4, G3, E3
12	6332-B	WASHER	87 to * G4, E4, G3, E3
13	7036	LOCKWASHER (6)	87 to * G4, E4, G3, E3
14	7041	LOCKWASHER	87 to * G4, E4, G3, E3
15	7688	NUT	87 to * G4, E4, G3, E3
16	7727	LOCKNUT	87 to * G4, E4, G3, E3
17	7742	LOCKNUT	87 to * G4, E4, G3, E3
18	7748-W	NUT	87 to * G4, E4, G3, E3
19	7753	NUT	87 to * G4, E4, G3, E3
20	8144	PUSHNUT	87 to * G4, E4, G3, E3
21	8480	RIVET (6)	87 to * G4, E4, G3, E3
22	8481	RIVET (2)	87 to * G3, E3
23	8641-B	RIVET (12)	87 to * G3, E3
24	8692	RIVET (10)	87 to * G3, E3
25	9925	CLIP TRIM	87 to * G4, G3
26	31067-63	WASHER	87 to * G4, G3, E4, E3
27	31422-72A	BEVERAGE HOLDER	87 to * G3, E3
28	50225-85	LABEL, CAUTION, PROP ROD	87 to * G4, G3, E4, E3
29	50250-67	BODY, REAR (UNIVERSAL)	87 to * G4, G3, E4, E3
30	50271-65	HINGE, BODY	87 to * G4, G3, E4, E3
31	50278-67A	MAT, BAG WELL, RT.	87 to * G4, G3, E4, E3
	50278-67B	MAT, BAG WELL, RT. (SELF ADHESIVE)	87 to * G4, G3, E4, E3
	50279-67A	MAT, BAG WELL LT.	87 to * G4, G3, E4, E3
	50279-67B	MAT, BAG WELL LT. (SELF ADHESIVE)	87 to * G4, G3, E4, E3
32	50280-63A	COVER, GOLF CAR, CANVAS (TILLER)	87 to * G3, E3
	50281-67	COVER, GOLF CAR, CANVAS (STEERING)	87 to * G3, E3
	50287-72	COVER, GOLF CAR, CANVAS	87 to * G4, E4
33	50332-84B	BODY REINFORCEMENT	87 to * G4, G3, E4, E3
34	50334-85	SNAP, BODY LIMIT	87 to * G4, G3, E4, E3
35	50336-85	PROP ROD ASSEMBLY	87 to * G4, G3, E4, E3
36	50337-85	CLIP, PROP ROD	87 to * G4, G3, E4, E3
37	50352-86	BODY REINFORCEMENT, FRONT	87 to * G4, G3, E4, E3
38	52107-72	STUD	87 to * G4, G3, E3
39	52083-72	LABEL, BRACE ADJUSTMENT	87 to * G4, G3, E4, E3
40	52630-87	HANDRAIL, RIGHT	87 to * G4, G3, E4, E3
	52631-87	HANDRAIL, LEFT	87 to * G4, G3, E4, E3
41	52935-86	FRAME, SEAT BACK	87 to * G4, G3, E4, E3
	52935-87	FRAME, SEAT BACK	L87 to * G4, G3, E4, E3
42	52936-86	CUSHION, SEAT BACK	87 to * G4, G3, E4, E3
43	52937-86	SPACER, BOTTOM CUSHION	87 to * G4, G3, E4, E3
44	52939-86	CUSHION, SEAT BOTTOM	87 to * G4, G3, E3
45	52944-87	HINGE, SEAT BOTTOM	87 to * E4
46	52945-87	CUSHION, SEAT BOTTOM	87 to * E4
47	53263-86	LABEL, FORWARD/REVERSE	87 to * E4, E3
	53266-86	LABEL, FORWARD/REVERSE	87 to * G4, G3
48	53491-65	PLATE	87 to * G4, G3, E4, E3
49	58440-86	(TRIM, 25 FT. BULK)	87 to * G4, G3
50	58598-84	FENDER, REAR	87 to * G4, G3, E4, E3
51	59607-64A	REAR SPLASH GUARD KIT	87 to * G4, G3, E4, E3
52	61564-82	RUBBER BUMPER, FUEL DOOR	87 to * G4, G3
53	71445-83	SWITCH PLATE	87 to * E4, E3
54	82709-81	WASHER, BEVERAGE CUP	87 to * G3, E3

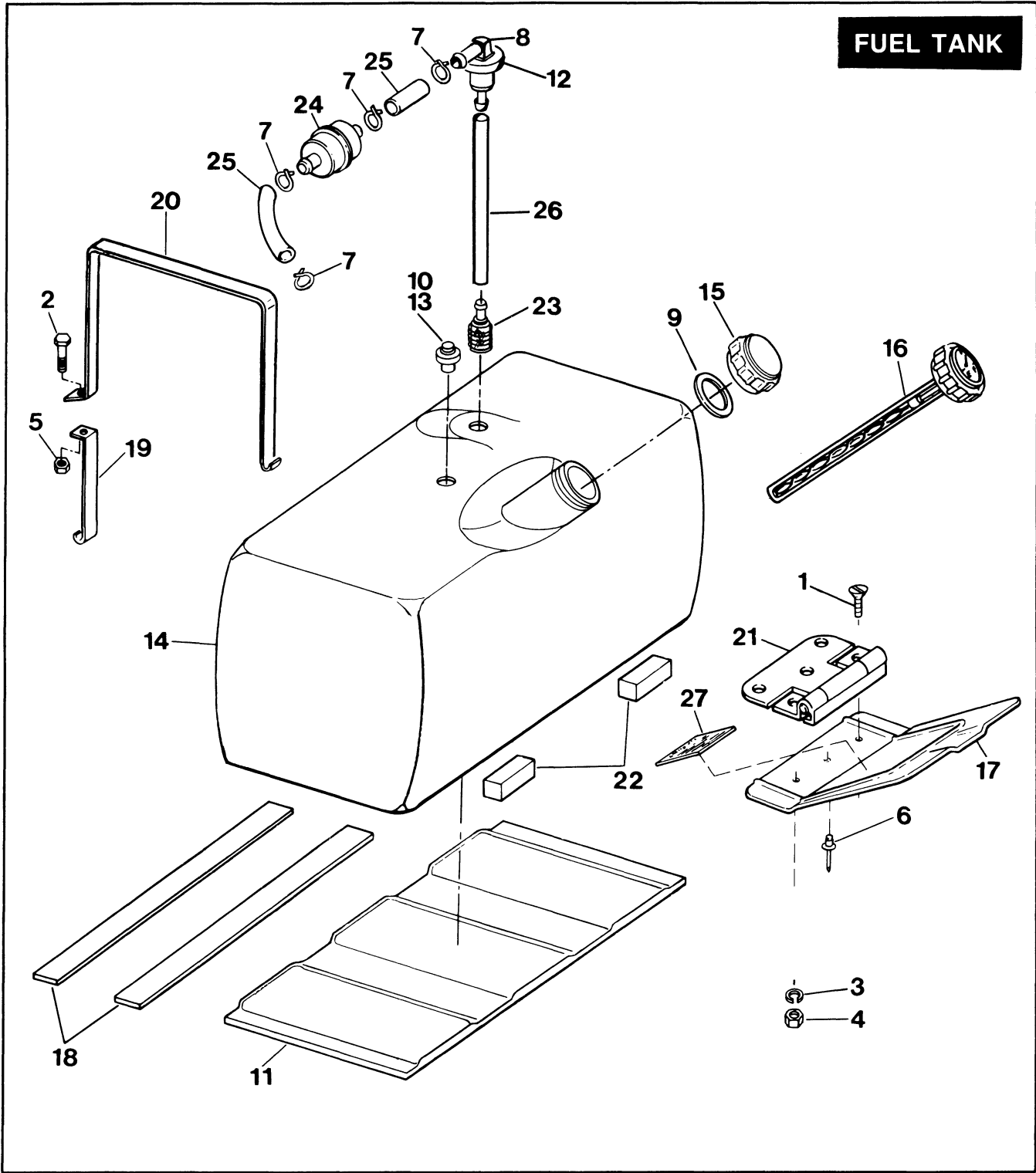


WINDSHIELD - G4, E4

FOR USE WITH SOFT TOP (S) 89440-87 AND HARD TOP (H) 89566-87

INDEX NO.	PART NO.	NAME	USED ON
1	2339	BOLT, NO. 10-24×3/4 HEX (4)	87 to * G4, E4
2	2612	SCREW, NO.8-32×1/2 POZIDRIV PAN HD. (2)	87 to * G4, E4
3	5965B	SPACER, PIVOT BUSHING (2)	87 to * G4, E4
4	6716	WASHER, NO. 10×1/2×3/64 (4)	(S) 87 to * G4, E4
5	7015	LOCKWASHER, NO. 8 (2)	(S) 87 to * G4, E4
6	7608	NUT, NO. 8-32×1/8×5/16 HEX (2)	(S) 87 to * G4, E4
7	7624	LOCKNUT, NO. 10-24×1/4×3/8 (4)	(S) 87 to * G4, E4
8	8212	POP RIVET (4)	(S) 87 to * G4, E4
9	40522-63	PIVOT BUSHING, WINDSHIELD	(S) 87 to * G4, E4
10	58013-87	WINDSHIELD ASSEMBLY, SOFT TOP	(S) 87 to * G4, E4
	58018-87	WINDSHIELD ONLY, HARD TOP	(H) 87 to * G4, E4
	58020-87	WINDSHIELD WITH FASTENERS, HARD TOP	(H) 87 to * G4, E4
	58023-87	WINDSHIELD ONLY, SOFT TOP	(S) 87 to * G4, E4
11	58034-74	REINFORCEMENT	(S) 87 to * G4, E4
12	58054-74	STRIP, FRONT	(S) 87 to * G4, E4
13	58059-74	BRACKET, UPPER LEFT	(S) 87 to * G4, E4
14	58060-74	BRACKET, UPPER RIGHT	(S) 87 to * G4, G3
15	58105-74	CLIP, WINDSHIELD STORAGE	(S) 87 to * G4, E4
16	89569-87	FASTENERS (12)	(S,H) 87 to * G4, E4

FUEL TANK



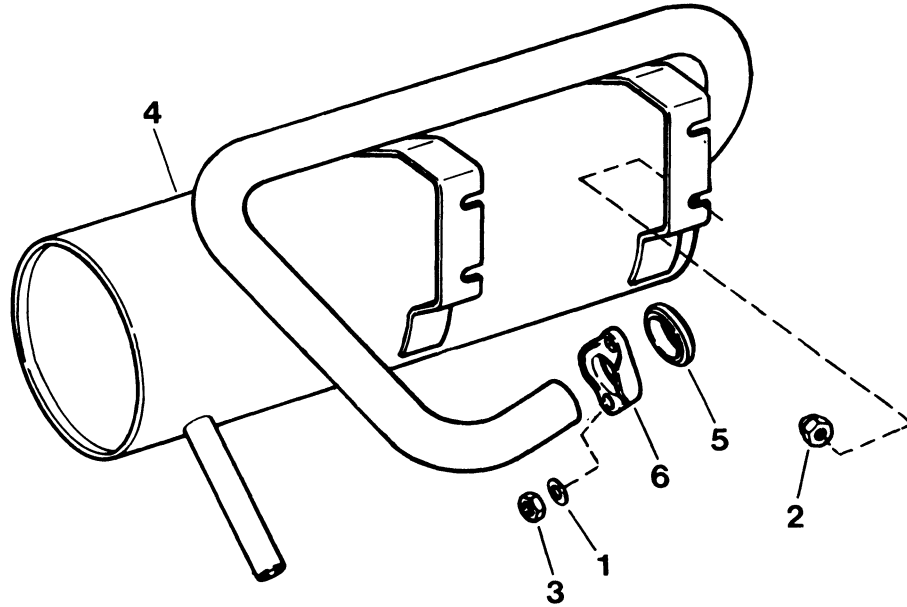
FUEL TANK

INDEX NO.	PART NO.	NAME	USED ON
1	1608	SCREW (2)	87 to * G3, G4
2	3419	BOLT (2)	87 to * G3, G4
3	7112	WASHER (2)	87 to * G3, G4
4	7590	NUT (2)	87 to * G3, G4
5	7740	LOCKNUT (2)	87 to * G3, G4

FUEL TANK (CONTINUED)

INDEX NO.	PART NO.	NAME	USED ON
6	8691	POP RIVET, FUEL TANK FILLER DOOR (2)	87 to * G3, G4
7	9993	CLAMP, FUEL HOSE - 1/2 (4)	87 to * G3, G4
8	61094-75	HOSE FITTING, FUEL TANK	87 to * G3, G4
9	61117-71A	GASKET, FILLER CAP	87 to * G3, G4
10	61247-75	VENT FITTING, FUEL TANK	87 to * G3, G4
11	61248-75	BASE PLATE, FUEL TANK	87 to * G3, G4
12	61249-75	BUSHING, RUBBER	87 to * G3, G4
13	61250-84	VENT FITTING	87 to * G3, G4
14	61251-75A	FUEL TANK, ONLY	87 to * G3, G4
15	61252-80	CAP, FUEL TANK	87 to * G3, G4
16	61252-83	CAP, FUEL TANK - WITH FUEL GAGE	87 to * G3, G4
17	61301-86	DOOR, FUEL TANK FILLER	87 to * G3, G4
18	61308-75	VINYL PAD, FUEL TANK STRAP (2)	87 to * G3, G4
19	61309-75	STRAP, FUEL TANK - LOWER (2)	87 to * G3, G4
20	61310-75	STRAP, FUEL TANK - UPPER (2)	87 to * G3, G4
21	61810-81A	HINGE, FUEL TANK DOOR	87 to * G3, G4
22	61812-75	RUBBER SPACER BLOCK, FUEL TANK (2)	87 to * G3, G4
23	62346-75	FUEL STRAINER, IN FUEL TANK	87 to * G3, G4
24	62350-63	FUEL FILTER	87 to * G3, G4
25	63501-68	HOSE, 1/4 IN. I.D., BLACK 10 FEET	87 to * G3, G4
26	63509-75	HOSE, IN FUEL TANK	87 to * G3, G4
27	91847-63B	FUEL INSTRUCTION LABEL	87 to * G3, G4
	91848-84	FUEL INSTRUCTION LABEL, OIL INJECTED	87 to * G3, G4

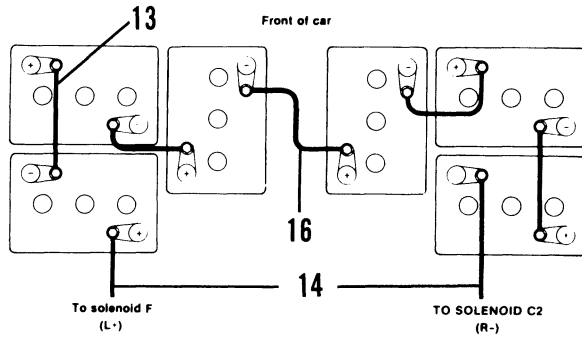
EXHAUST SYSTEM



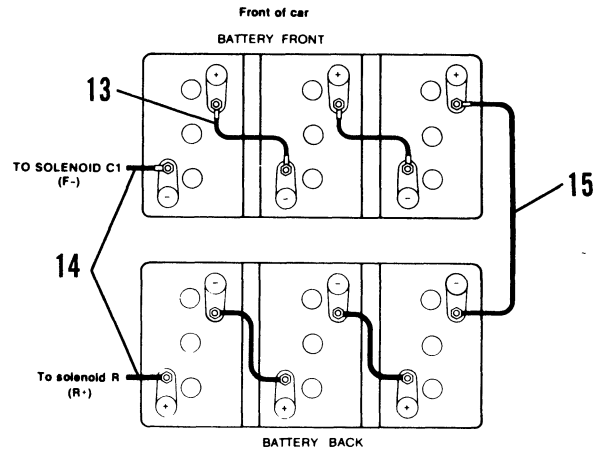
EXHAUST SYSTEM

INDEX NO.	PART NO.	NAME	USED ON
1	6701	WASHER (2)	87 to * G4, G3
2	7525	LOCKNUT (4)	87 to * G4, G3
3	7759	NUT (2)	87 to * G4, G3
4	65232-87	MUFFLER WITH PIPE	87 to * G4, G3
5	65267-82	GASKET, FLANGE	87 to * G4, G3
6	65520-82	FLANGE, EXHAUST PIPE	87 to * G4, G3

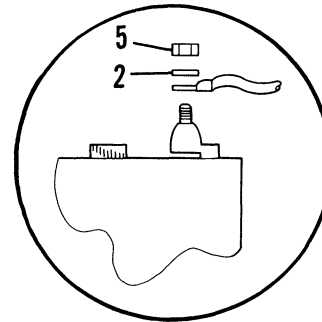
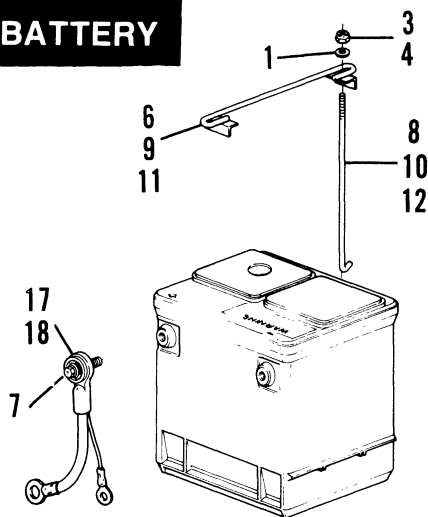
4-WHEEL PARCAR BATTERY INSTALLATION



3-WHEEL PARCAR BATTERY INSTALLATION DIAGRAM



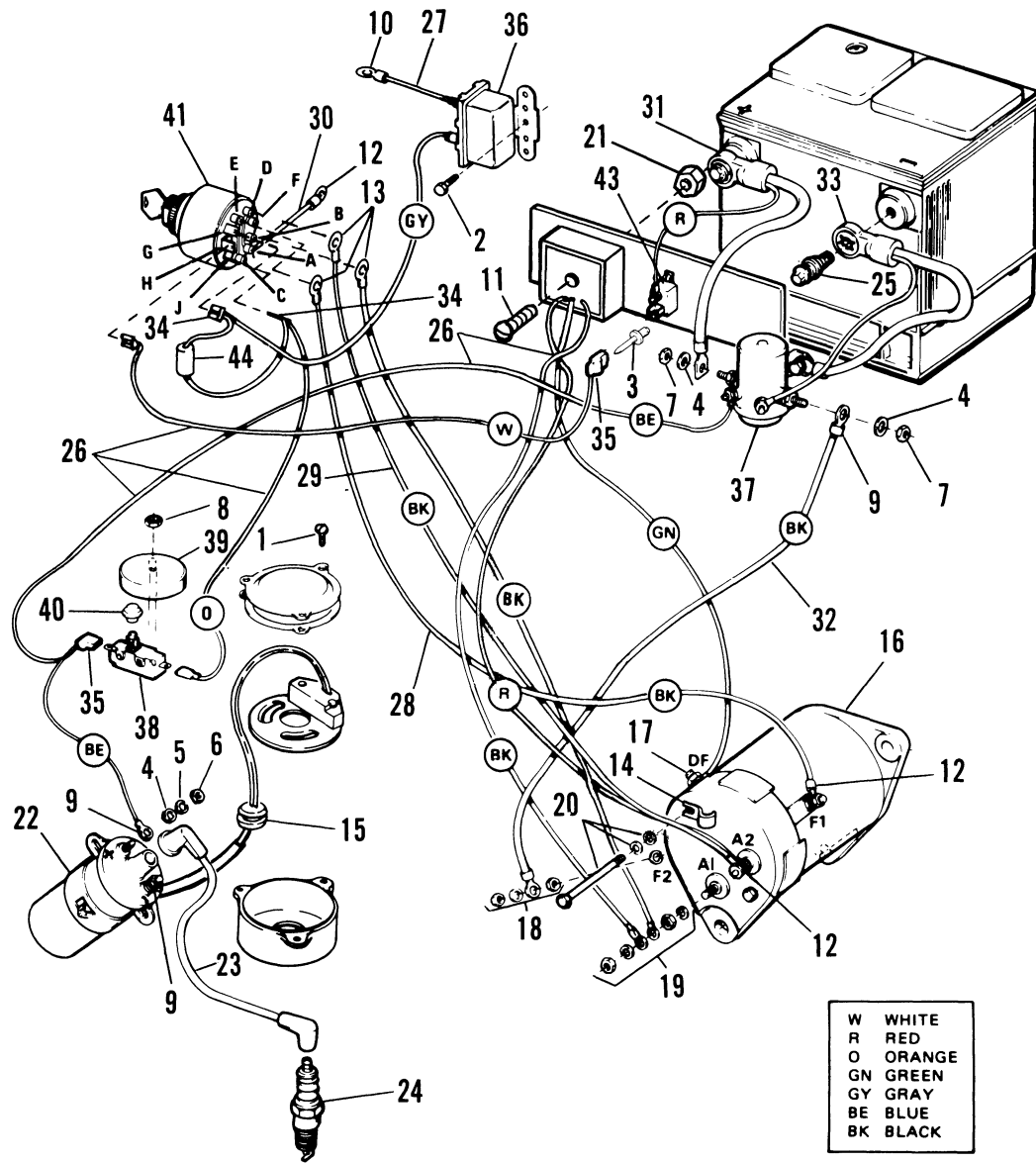
BATTERY



BATTERY - G4, G3, E4, E3

INDEX NO.	PART NO.	NAME	USED ON
1	6703	WASHER	87 to * G4, G3, E4, E3
2	7127	LOCKWASHER, INTERNAL TOOTH	87 to * E4, E3
3	7683	LOCKNUT (8)	87 to * E3
4	7688	LOCKNUT	87 to * G4, G3, E4
5	7748-W	NUT	87 to * E4, E3
6	47711-84	CHANNEL, BATTERY HOLD DOWN	87 to * E4
7	66086-80	BOLT, BATTERY TERMINAL	87 to * G4, G3
8	66323-80	ROD, BATTERY HOLD DOWN	87 to * G4, G3
9	66388-64	BRACKET, BATTERY HOLD DOWN	87 to * G4, G3
10	66453-66	ROD, BATTERY HOLD DOWN	87 to * E3
11	66462-66A	BRACKET, BATTERY HOLD DOWN	87 to * E3
12	66561-75	ROD, BATTERY HOLD DOWN	87 to * E4
13	70099-84	JUMPER CABLE, BATTERY, 9 IN. (4)	87 to * E4, E3
14	70105-84	CABLE, BATTERY (2) 36 IN.	87 to * E4, E3
15	70107-85	JUMPER CABLE, BATTERY, 49 IN.	87 to * E3
16	70108-85	JUMPER CABLE, BATTERY, 12 IN.	87 to * E4
17	70196-80	CABLE, BATTERY, POSITIVE (RED)	87 to * G4, G3
18	70458-80	CABLE, BATTERY, NEGATIVE (BLACK)	87 to * G4, G3

WIRING

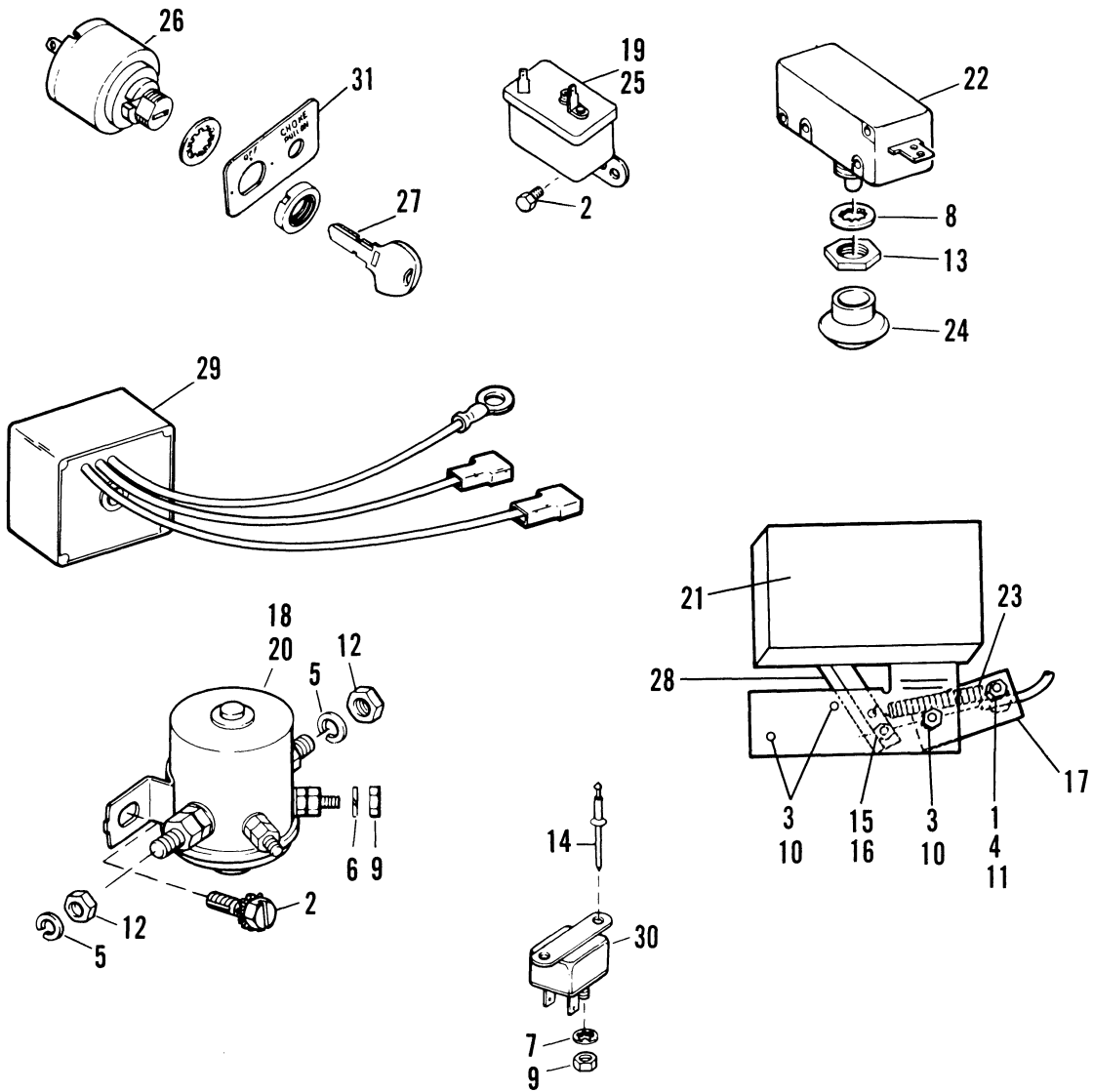


WIRING - G4, G3

INDEX NO.	PART NO.	NAME	USED ON
1	3000	SCREW (3)	87 to * G4, G3
2	3204W	SCREW	87 to * G4, G3
3	8687	POP RIVET (2)	87 to * G4, G3
4	6716	WASHER (2)	87 to * G4, G3
5	7069	LOCKWASHER (2)	87 to * G4, G3
6	7634	NUT (2)	87 to * G4, G3
7	7753	NUT (2)	87 to * G4, G3
8	7807W	NUT	87 to * G4, G3

WIRING – G4, G3 (CONTINUED)

INDEX NO.	PART NO.	NAME	USED ON
9	9857	WIRE TERMINAL, RING TYPE	87 to * G4, G3
10	9858	CONNECTOR WIRE	87 to * G4, G3
11	3993	SCREW, 1/4-20×1-1/4	87 to * G4, G3
12	9911	WIRE TERMINAL, RING TYPE (4)	87 to * G4, G3
13	9922	WIRE TERMINAL, RING TYPE (4)	87 to * G4, G3
14	10047	CLIP, CABLES	87 to * G4, G3
15	11414	GROMMET	87 to * G4, G3
16	30083-69C	STARTER – GENERATOR	87 to * G4, G3
17	30394-77	HARDWARE KIT, (DF-TERMINALS)	87 to * G4, G3
18	30395-77	HARDWARE KIT, (F-1 & F-2 TERMINALS)	87 to * G4, G3
19	30446-77	HARDWARE KIT, (A-1 & A-2 TERMINALS)	87 to * G4, G3
20	30461-77	THRU-BOLT, WITH WASHERS AND LOCKWASHERS (2)	87 to * G4, G3
21	7688	LOCKNUT	87 to * G4, G3
22	31601-63A	SPARK COIL	87 to * G4, G3
23	31981-82	WIRE, SPARK PLUG	87 to * G4, G3
24	32301-78C	SPARK PLUG, L92C	87 to * G4, G3
25	66086-80	BOLT, SIDE MOUNT (2)	87 to * G4, G3
26	70015-85	MAINWIRING HARNESS	87 to * G3
	70019-86	MAIN WIRING HARNESS, MICRO SWITCH ON PEDAL ASSEMBLY	E87 to * G4
	70019-87	MAIN WIRING HARNESS, MICRO SWITCH BEHIND FLOORBOARD	L87 to * G4
27	70026-82	CABLE, BUZZER TO GROUND	87 to * G4, G3
28	70056-82	CABLE, KEY SWITCH	87 to * G4, G3
29	70062-82	CABLE, KEY SWITCH	87 to * G4, G3
30	70081-82	CABLE, KEY SWITCH	87 to * G4, G3
31	70196-80	CABLE, BATTERY (POSITIVE)	87 to * G4, G3
32	70351-72	WIRE, SOLENOID TO STARTER – GENERATOR F2 TERMINAL	87 to * G4, G3
33	70458-80	CABLE, BATTERY (NEGATIVE)	87 to * G4, G3
34	70581-73	CONNECTOR, WIRE (2)	87 to * G4, G3
35	70584-69	INSULATOR, FLAG TERMINAL (2)	87 to * G4, G3
36	71402-79	REVERSE BUZZER	87 to * G4, G3
37	71470-63D	SOLENOID SWITCH	87 to * G4, G3
38	71506-63	MICRO SWITCH	87 to * G4, G3
39	71509-70	CUP, MICRO SWITCH	87 to * G4, G3
40	71514-68A	COVER, PLUNGER	87 to * G4, G3
41	71762-82A	IGNITION SWITCH, FORWARD-REVERSE	87 to * G4, G3
42	74510-85	VOLTAGE REGULATOR, SOLID STATE	87 to * G4, G3
43	74592-68	CIRCUIT BREAKER	87 to * G4, G3
44	74886-67	DIODE, SPEED SWITCH	87 to * G4, G3



SWITCHES

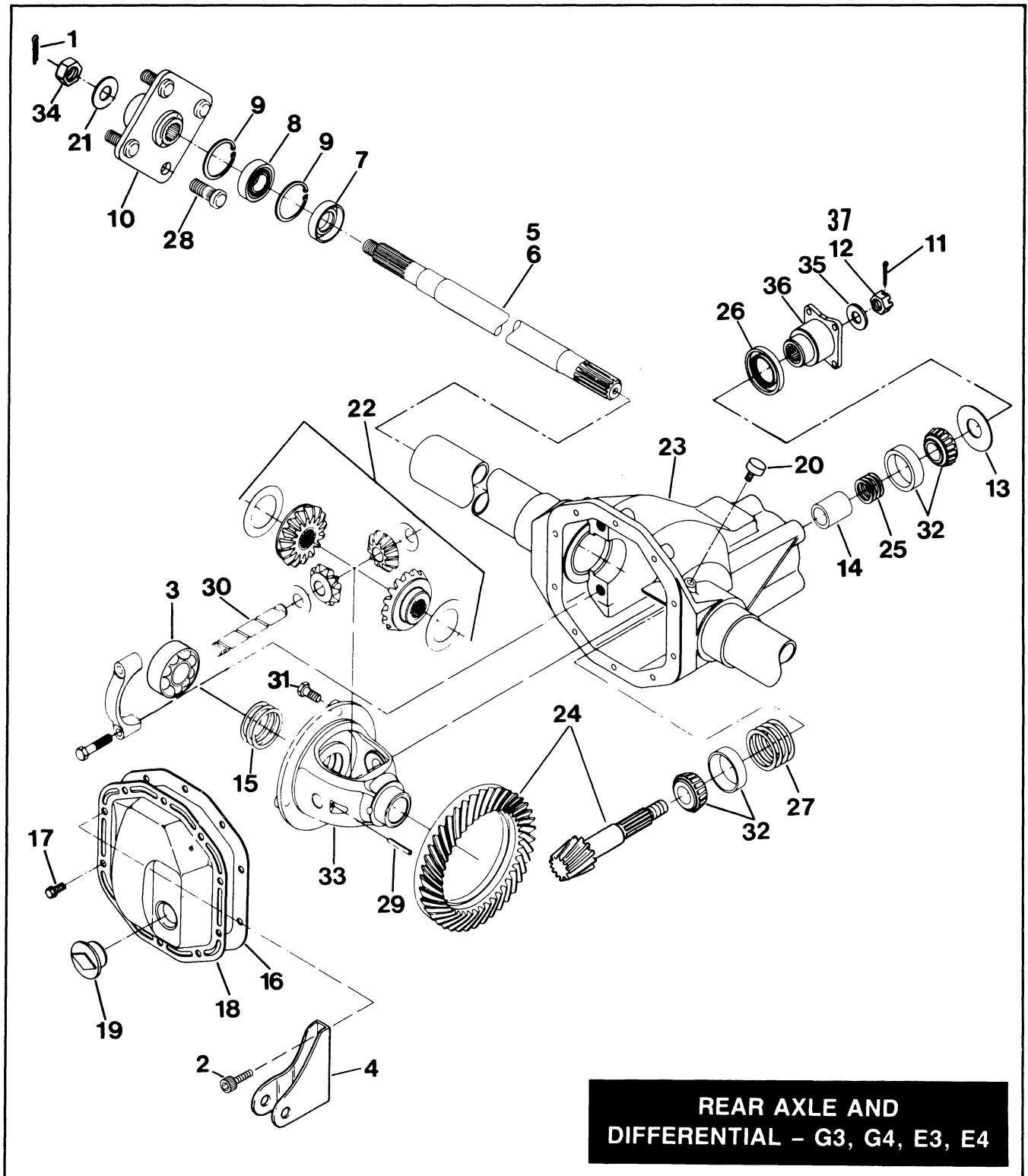
SWITCHES

INDEX NO.	PART NO.	NAME	USED ON
1	2872-W	SCREW	87 to * E4
2	3204-W	SCREW	87 to * G4, G3, E4, E3
3	3765	SCREW, 1/4-28	87 to * E4, E3
4	5966-W	SPACER	87 to * E4
5	7041	LOCKWASHER	87 to * G4, G3, E4, E3
6	7069	LOCKWASHER	87 to * G4, G3, E4, E3
7	7118	LOCKWASHER	87 to * G4, G3, E4, E3
8	7130-W	LOCKWASHER	87 to * G4, G3
9	7638	NUT	87 to * G4, G3, E4, E3
10	7683	LOCKNUT, 1/4-28	87 to * E4

SWITCHES (CONTINUED)

INDEX NO.	PART NO.	NAME	USED ON
11	7688	LOCKNUT	87 to * E4
12	7753	NUT	87 to * G4, G3, E4, E3
13	7807-W	SPEEDNUT	87 to * G4, G3
14	8687	POP RIVET	87 to * G4, G3
15	40432-87	WIRE BLOCK	87 to * E4, E3
16	50311-83	WASHER	87 to * E4, E3
17	62537-86	BRACKET, CABLE	87 to * E4
18	71458-87	SOLENOID, 4 TERMINAL 36V. (2)	87 to * E4, E3
	71459-87	SOLENOID, 6 TERMINAL 36V. (2)	87 to * E4, E3
19	71402-79	BUZZER, REVERSE 12V.	87 to * G4, G3
20	71470-63D	SOLENOID, 12V.	87 to * G4, G3
21	71494-85	SPEED SWITCH	87 to * E4, E3
22	71506-63	MICRO SWITCH	87 to * G4, G3
23	71513-87	SPRING, RETURN, SPEED SWITCH	87 to * E4
24	71514-68A	RUBBER COVER, SWITCH PLUNGER	87 to * G4, G3
25	71756-75	BUZZER, REVERSE 36V.	87 to * E4, E3
26	71762-75	KEY SWITCH	87 to * E4, E3
	71762-82A	KEY SWITCH	87 to * G4, G3
27	71765-75A	KEY	87 to * E4, E3
	71766-82A	KEY	87 to * G4, G3
28	71855-85	MAGNET ARM ASSEMBLY	87 to * E4, E3
29	74510-85	VOLTAGE REGULATOR, SOLID STATE	87 to * G4, G3
30	74592-68	CIRCUIT BREAKER	87 to * G4, G3
31	71445-83	SWITCH PLATE	87 to * E4, E3

NOTE: FOR 4/WHEEL ELECTRIC CARS FITTED WITH ITEM #17, CABLE BRACKET, ORDER PART NO. 71494-87
SPEED SWITCH (ITEM 21)

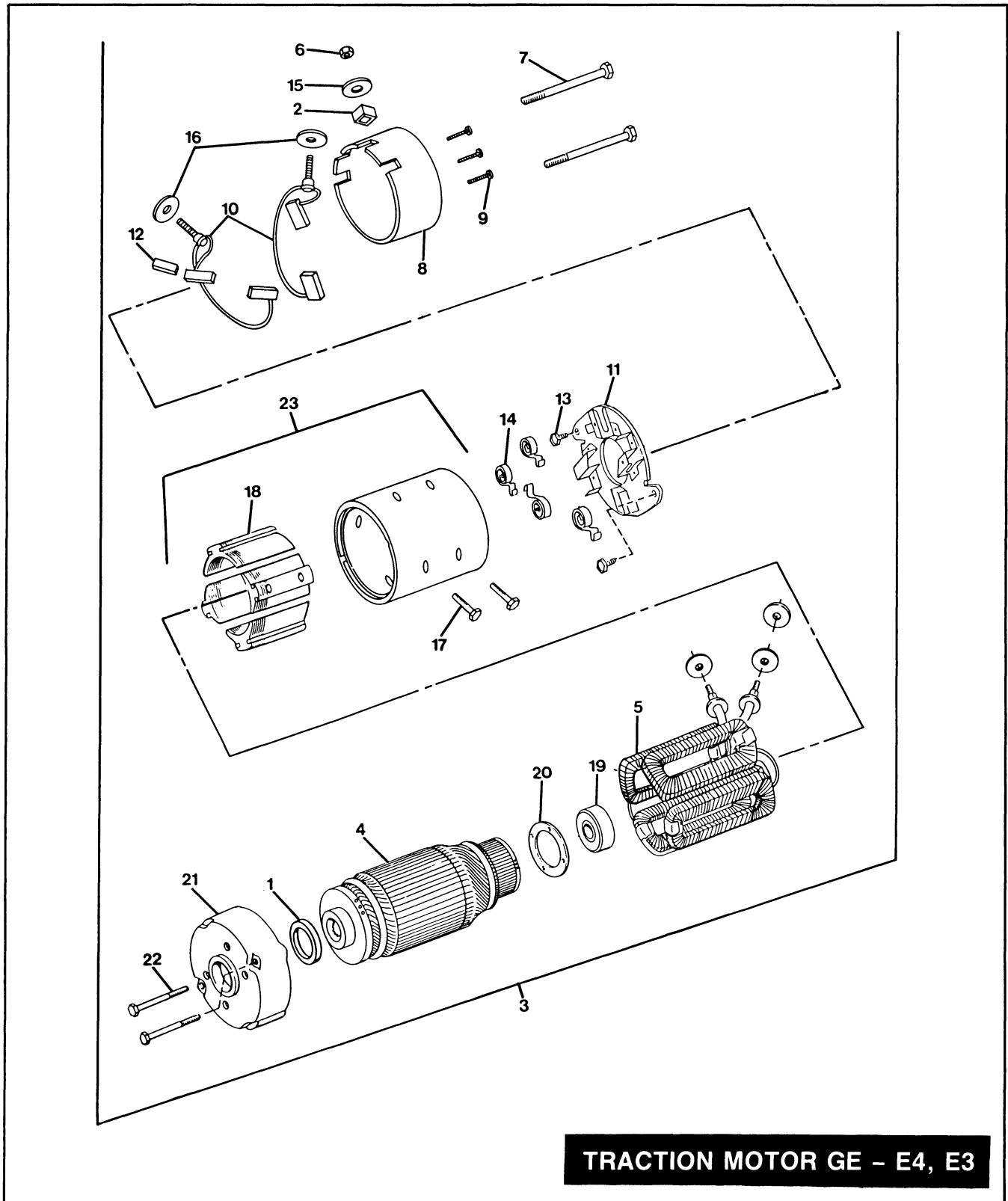


REAR AXLE AND DIFFERENTIAL - G3, G4, E3, E4

INDEX NO.	PART NO.	NAME	USED ON
1	559	COTTER PIN (3)	87 to * G4, G3, E4, E3
2	4733	SCREW (2)	87 to * G4, G3, E4, E3
3	8880	BEARING, BALL BEARING (2)	87 to * G4, G3, E4, E3
4	54524-73	MOUNTING BRACKET, SHOCK ABSORBER	87 to * G4, G3, E4, E3

REAR AXLE AND DIFFERENTIAL – G3, G4, E3, E4 (CONTINUED)

INDEX NO.	PART NO.	NAME	USED ON
5	82702-82	AXLE SHAFT, RIGHT	87 to * G4, G3, E4, E3
6	82703-82	AXLE SHAFT, LEFT	87 to * G4, G3, E4, E3
7	82704-78	OIL SEAL, AXLE END (2)	87 to * G4, G3, E4, E3
8	82705-78	BEARING, AXLE END (2)	87 to * G4, G3, E4, E3
9	82706-78	RETAINING RING, AXLE BEARING (4)	87 to * G4, G3, E4, E3
10	82707-82	HUB, REAR WHEEL (2)	87 to * G4, G3, E4, E3
11	82712-78	COTTER PIN, PINION NUT	87 to * G4, G3
12	82713-78	CASTLE NUT, PINION	87 to * G4, G3
13	82717-78	THRUST WASHER, PINION BEARING	87 to * G4, G3, E4, E3
14	82724-78	SPACER, PINION BEARINGS	87 to * G4, G3, E4, E3
15	82728-78	SHIM, DIFFERENTIAL BEARING .003"	87 to * G4, G3, E4, E3
	82729-78	SHIM, DIFFERENTIAL BEARING .005"	87 to * G4, G3, E4, E3
	82730-78	SHIM, DIFFERENTIAL BEARING .010"	87 to * G4, G3, E4, E3
	82731-78	SHIM, DIFFERENTIAL BEARING .030"	87 to * G4, G3, E4, E3
16	82734-78	GASKET, AXLE HOUSING COVER	87 to * G4, G3, E4, E3
17	82735-78	BOLT, AXLE HOUSING COVER (8)	87 to * G4, G3, E4, E3
18	82736-78	COVER, AXLE HOUSING	87 to * G4, G3, E4, E3
19	82737-78	PLUG, AXLE HOUSING COVER	87 to * G4, G3, E4, E3
20	82749-78	BREATHER PLUG, AXLE HOUSING COVER	87 to * G4, G3, E4, E3
21	82770-78	WASHER, AXLE NUT (2)	87 to * G4, G3, E4, E3
22	82772-82	DIFFERENTIAL GEAR SET	87 to * G4, G3, E4, E3
23	82806-86	REAR AXLE AND DIFFERENTIAL, COMPLETE	87 to * E4, E3
	82810-86	REAR AXLE AND DIFFERENTIAL, COMPLETE	87 to * G4, G3
24	82948-73	MATCHED PINION AND GEAR	87 to * G4, G3
	82948-74	MATCHED PINION AND GEAR	87 to * E4, E3
25	83032-73	SHIM, PINION BEARING – FRONT .003"	87 to * G4, G3, E4, E3
	83033-73	SHIM, PINION BEARING – FRONT .005"	87 to * G4, G3, E4, E3
	83034-73	SHIM, PINION BEARING – FRONT .010"	87 to * G4, G3, E4, E3
	83035-73	SHIM, PINION BEARING – FRONT .030"	87 to * G4, G3, E4, E3
26	83051-73	OIL SEAL, PINION	87 to * G4, G3
27	83072-73	SHIM, PINION BEARING – REAR .003"	87 to * G4, G3, E4, E3
	83073-73	SHIM, PINION BEARING – REAR .005"	87 to * G4, G3, E4, E3
	83074-73	SHIM, PINION BEARING – REAR .010"	87 to * G4, G3, E4, E3
28	83085-73	MOUNTING STUD, WHEEL HUB (8)	87 to * G4, G3, E4, E3
29	83103-73	ROLL PIN, DIFFERENTIAL CASE	87 to * G4, G3, E4, E3
30	83104-73	SHAFT, IDLER GEAR	87 to * G4, G3, E4, E3
31	83106-63A	BOLT, DRIVE GEAR (4)	87 to * G4, G3, E4, E3
32	83112-63A	BEARING, PINION (2)	87 to * G4, G3, E4, E3
33	83125-82	DIFFERENTIAL CARRIER ASSEMBLY WITH GEARS	87 to * G4, G3, E4, E3
34	83131-63	NUT, AXLE SHAFT (2)	87 to * G4, G3, E4, E3
35	83133-63A	WASHER, PINION NUT	87 to * G4, G3
36	83135-82	PINION YOKE	87 to * G4, G3
37	83108-74	NUT, PINION	87 to * E4, E3



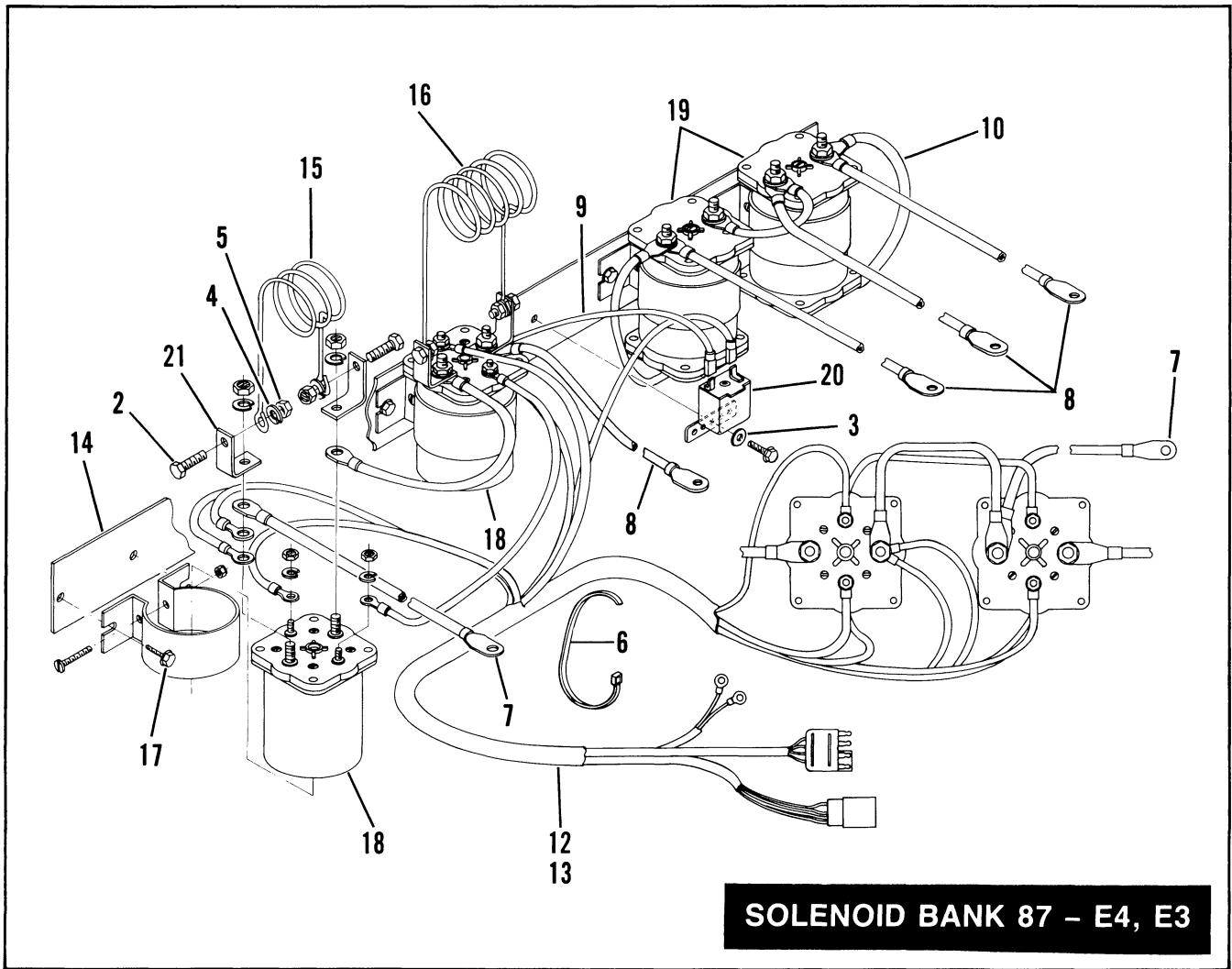
TRACTION MOTOR GE - E4, E3

TRACTION MOTOR GE - E4, E3

INDEX NO.	PART NO.	NAME	USED ON
1	12041	SEAL, PINION SHAFT	87 to * E3, E4
2	72352-73	BUSHING, TERMINAL INSULATION	87 to * E3, E4
3	82821-86	TRACTION MOTOR (GE)	87 to * E3, E4

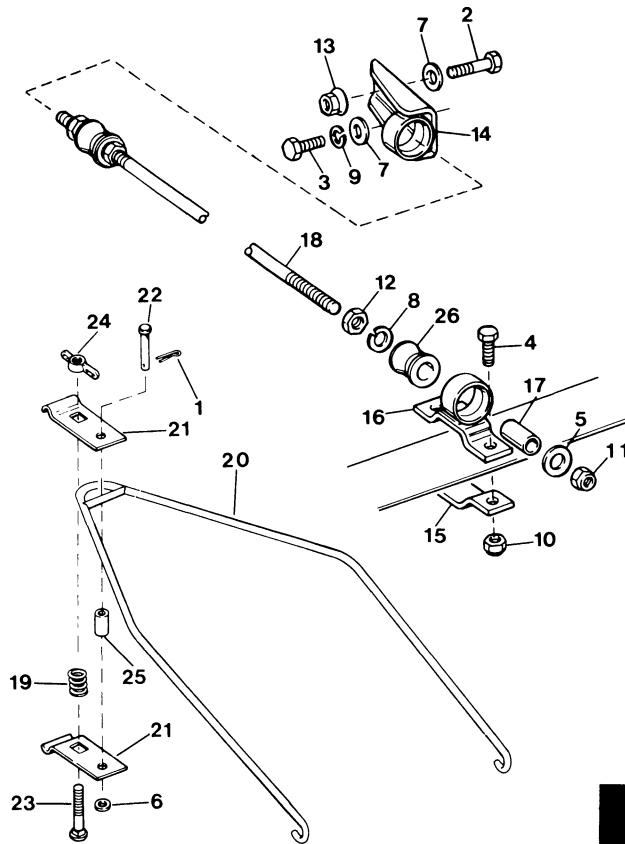
TRACTION MOTOR GE – E4, E3 (CONTINUED)

INDEX NO.	PART NO.	NAME	USED ON
4	83253-86	ARMATURE	87 to * E3, E4
5	83255-86	FIELD COIL, SET	87 to * E3, E4
6	83259-75	NUT, TERMINAL STUD	87 to * E3, E4
7	83280-86	BOLT, END COVER COMMUTATOR END	87 to * E3, E4
8	83281-86	ENDSHIELD, COMMUTATOR END	87 to * E3, E4
9	83282-86	SCREW, BEARING RETAINER	87 to * E3, E4
10	83283-86	BRUSH SET	87 to * E3, E4
11	83284-86	BRUSH PLATE	87 to * E3, E4
12	83285-86	GASKET, RUBBER	87 to * E3, E4
13	83286-86	SCREW, BRUSH PLATE MOUNTING	87 to * E3, E4
14	83287-86	BRUSH SPRING	87 to * E3, E4
15	83288-86	WASHER, INSULATING	87 to * E3, E4
16	83289-86	WASHER, INSULATING	87 to * E3, E4
17	83290-86	SCREW, FIELD POLE PIECE	87 to * E3, E4
18	83291-86	FIELD POLE PIECE	87 to * E3, E4
19	83292-86	BEARING, COMMUTATOR END	87 to * E3, E4
20	83293-86	RETAINER, BEARING	87 to * E3, E4
21	83294-86	END COVER	87 to * E3, E4
22	83295-86	BOLT, END COVER	87 to * E3, E4
23	83296-86	FRAME ASSEMBLY (INCLUDES ITEMS: 5, 17, 18)	87 to * E3, E4



SOLENOID BANK - E4, E3

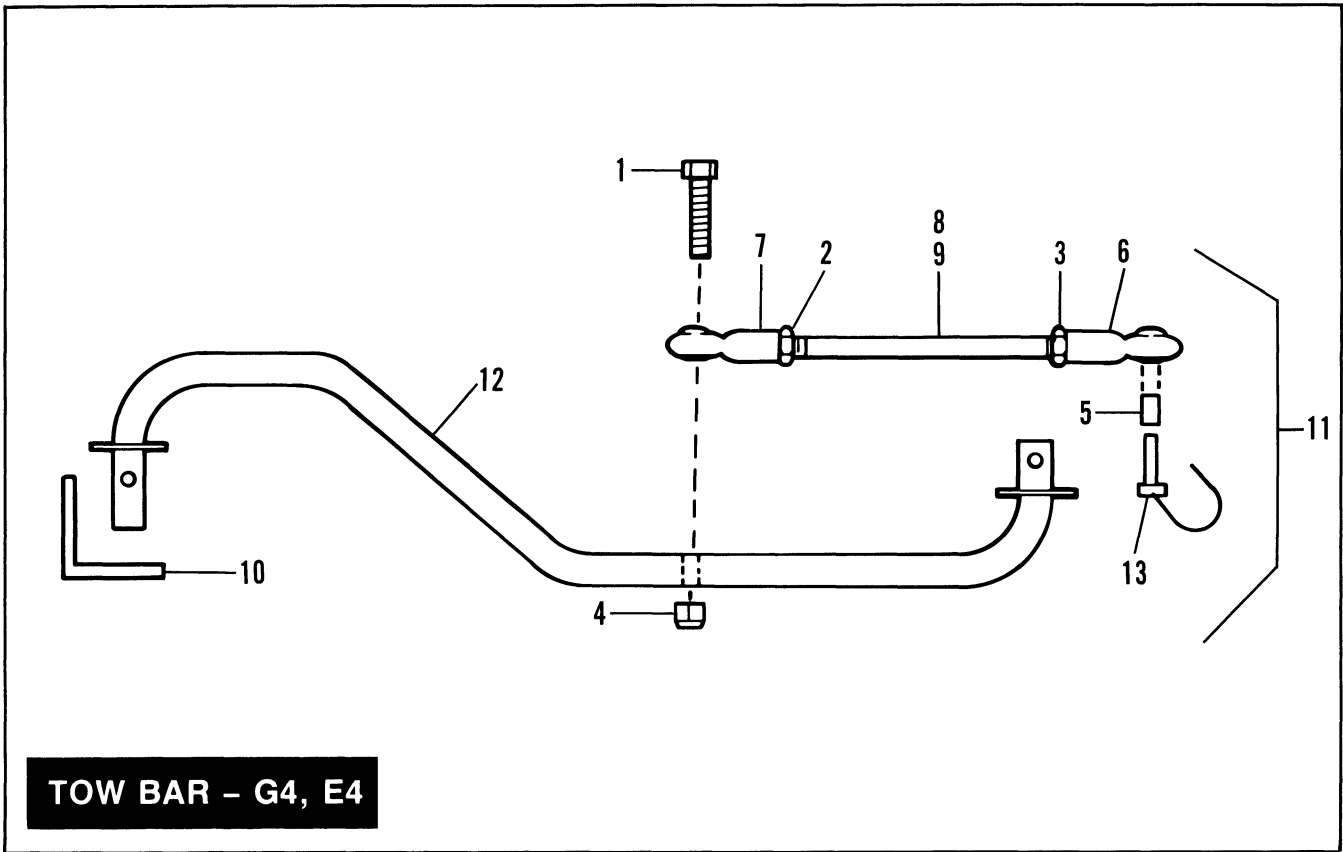
INDEX NO.	PART NO.	NAME	USED ON
1	2685-W	SCREW, COMPONENT MOUNTING (10)	87 to * E4, E3
2	2882-W	SCREW, RESISTOR MOUNTING (4)	87 to * E4, E3
3	6716	WASHER, BUZZER MOUNTING (10)	87 to * E4, E3
4	7041	LOCKWASHER, RESISTOR MOUNTING (4)	87 to * E4, E3
5	7748-W	NUT, RESISTOR MOUNTING (4)	87 to * E4, E3
6	10016	TIE WRAP	87 to * E3, E4
7	70105-84	CABLE, BATTERY (2)	87 to * E4, E3
8	70351-72	CABLE, SOLENOID TO MOTOR (4)	87 to * E4, E3
9	70484-85A	WIRE, BUZZER TO SOLENOID (BLACK)	87 to * E4, E3
10	70496-86	CABLE, JUMPER (5)	87 to * E4, E3
11	70497-86	SPACER, SOLENOID BANK TO FRAME	N/S 87 to * E3, E4
12	70644-85A	WIRING HARNESS, MAIN	87 to * E3
13	70646-87A	WIRING HARNESS, MAIN	87 to * E4
14	71021-85	BRACKET, SOLENOID MOUNTING	87 to * E3, E4
15	71406-85	RESISTOR, .08 OHM, 3 COIL	87 to * E3, E4
16	71407-85	RESISTOR, .16 OHM 5 COIL	87 to * E3, E4
17	71448-87	SOLENOID SWITCH ASSEMBLY, COMPLETE	87 to * E3
	71449-87	SOLENOID SWITCH ASSEMBLY, COMPLETE	87 to * E4
18	71458-87	SOLENOID, 4T. 36V. (2)	87 to * E3, E4
19	71459-87	SOLENOID, 6T. 36V. (2)	87 to * E3, E4
20	71756-75	BUZZER, REVERSE 24/36V.	87 to * E3, E4
21	71771-87	BRACKET, RESISTOR MOUNTING (4)	87 to * E3, E4



**STABILIZER – G4, G3
AND TOW BAR – G3, E3**

STABILIZER – G4, G3 AND TOW BAR – G3, E3

INDEX NO.	PART NO.	NAME	USED ON
1	534	COTTER PIN	87 to * G3
2	2818	BOLT	87 to * G3, G4
3	3991	SCREW	87 to * G3, G4
4	4319	BOLT (2)	87 to * G3, G4
5	6416	WASHER	87 to * G3, G4
6	6701	WASHER	87 to * G3
7	6702	WASHER (2)	87 to * G3, G4
8	7038	LOCKWASHER (2)	87 to * G3, G4
9	7041	LOCKWASHER	87 to * G3, G4
10	7775	NUT (2)	87 to * G3, G4
11	7778	NUT (2)	87 to * G3, G4
12	7783	NUT (2)	87 to * G3, G4
13	8161	LOCKNUT	87 to * G3, G4
14	16231-80	STABILIZER BRACKET, ENGINE	87 to * G3, G4
15	16232-70	CLAMP, STABILIZER AXLE TUBE BRACKET	87 to * G3, G4
16	16241-70	AXLE TUBE BRACKET, STABILIZER	87 to * G3, G4
17	24794-67	SPACER, STABILIZER BAR (2)	87 to * G3, G4
18	24801-80	STABILIZER BAR, ZINC PLATED	87 to * G3, G4
19	73074-61	SPRING, TOW BAR BRACKET	87 to * G3
20	82009-70A	TOW BAR ASSEMBLY, COMPLETE	87 to * G3
21	82011-70	BRACKET, TOW BAR (2)	87 to * G3
22	82012-70	PIN, TOW BAR BRACKET	87 to * G3
23	82013-70	CARRIAGE BOLT, TOW BAR BRACKET	87 to * G3
24	82014-70	WING NUT, TOW BAR BRACKET BOLT	87 to * G3
25	82015-70	SPACER, TOW BAR BRACKET PIN	87 to * G3
26	85210-42A	RUBBER BUSHING (2)	87 to * G3, G4



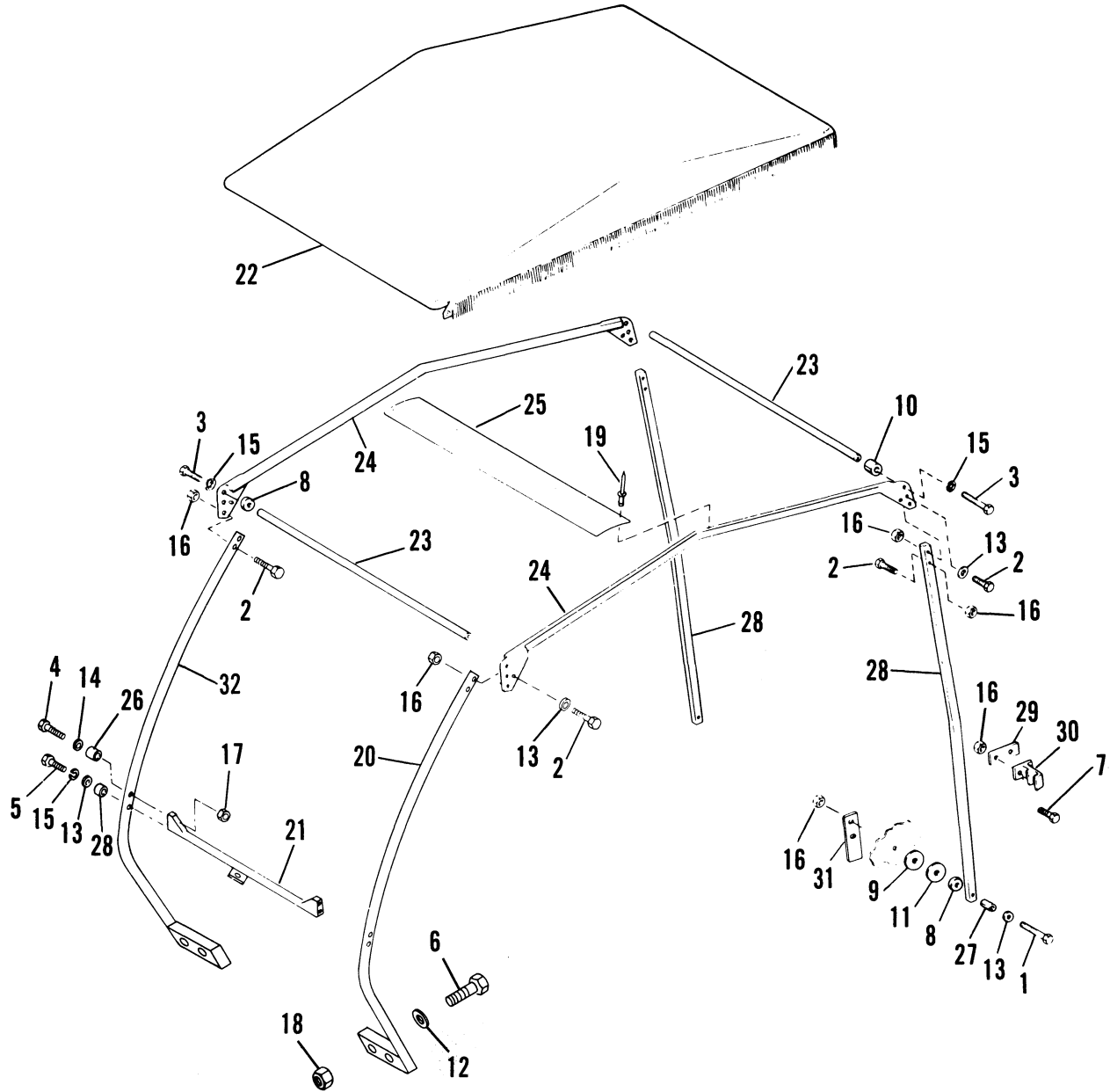
TOW BAR – G4, E4

TOW BAR – G4, E4

INDEX NO.	PART NO.	NAME	USED ON
1	3945	SCREW, 3/8-24× 2-1/4	87 to * G4, E4
2	7552	NUT, 1/20 LEFT HAND THREAD	87 to * G4, E4
3	7644	NUT, 1/20	87 to * G4, E4
4	7775	LOCKNUT, 3/8-24	87 to * G4, E4
5	42482-63	BUSHING (2)	87 to * G4, E4
6	45603-82	ROD END, RIGHT HAND, W/O BUSHING	87 to * G4, E4
7	45604-82	ROD END, LEFT HAND, W/O BUSHING	87 to * G4, E4
8	82785-86	TIE ROD ASSEMBLY, INCLUDES ITEMS 2, 3, 5, 6, 7, 8	87 to * G4, E4
9	82787-86	TIE ROD, ONLY	87 to * G4, E4
10	82788-86	BUMPER HITCH (NOT IN KIT)	87 to * G4, E4
11	82790-86	KIT, TOWING, INCLUDES ITEMS 1-9, 12, 13	87 to * G4, E4
12	82792-86A	TOW BAR, ONLY	87 to * G4, E4
13	82793-82	SNAPPER PIN (3)	87 to * G4, E4

NOTE: ON CARS BUILT PRIOR TO V.I.N. NUMBER LISTED BELOW. VEHICLES TO BE TOWED WILL NEED TO HAVE RIGHT STEERING ARM, PART NO. 57160-86B, INSTALLED. 5K-1059-C7, 5K-21379-C7, AND 6K-10468-C7.

SUNTOP, SOFT – G4, E4

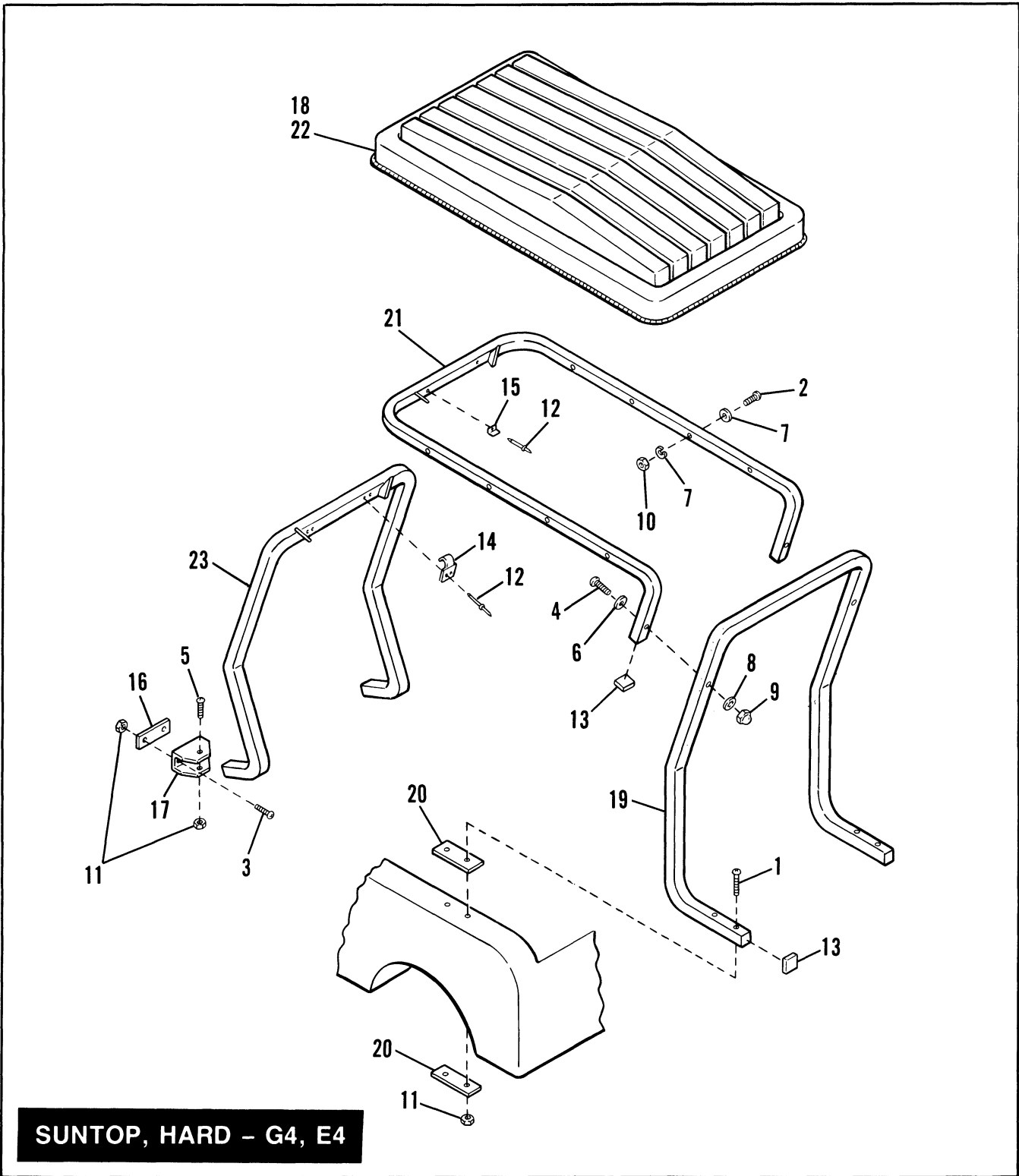


SUNTOP, SOFT – G4, E4

INDEX NO.	PART NO.	NAME	USED ON
1	2663	SCREW, 5/16-18×2.00" (2)	87 to * G4, E4
2	2818	SCREW, 5/16-18×1.50" (6)	87 to * G4, E4
3	2871-W	SCREW, 5/16-18×1.25" (2)	87 to * G4, E4
4	2872-W	SCREW, 1/4-20×1.50" (2)	87 to * G4, E4
5	2887-W	SCREW, 5/16-18×1.75" (2)	87 to * G4, E4
6	3775	SCREW, 3/8-16×2.00" (4)	87 to * G4, E4
7	3987	SCREW, 5/16-18×.75" (4)	87 to * G4, E4
8	5919	SPACER, .33 I.D. × .75 O.D. × 25" O.D. (4)	87 to * G4, E4

SUNTOP, SOFT – G4, E4 (CONTINUED)

INDEX NO.	PART NO.	NAME	USED ON
9	5927	RUBBER WASHER, 5/16 I.D. × 1.50" O.D. (2)	87 to * G4, E4
10	5947-W	SPACER, .33 I.D. × .87 O.D. × .56 (2)	87 to * G4, E4
11	6678-W	WASHER, 5/16 I.D. × 1.50" O.D. (2)	87 to * G4, E4
12	6701	WASHER, 3/8 I.D. × .81 O.D. (4)	87 to * G4, E4
13	6702	WASHER, 5/16 I.D. × .68" O.D. (8)	87 to * G4, E4
14	6703	WASHER, 1/4 I.D. × .62" O.D. (2)	87 to * G4, E4
15	7041	LOCKWASHER, SPRING 5/16" I.D. (6)	87 to * G4, E4
16	7740	LOCKNUT, 5/16-18 (14)	87 to * G4, E4
17	7742	LOCKNUT, 1/4-20 (2)	87 to * G4, E4
18	7778	LOCKNUT, 3/8-16 (4)	87 to * G4, E4
19	8483	POP RIVET, 3/16 DIAM. STEM; .62 DIA. HEAD (4)	87 to * G4, E4
20	89457-74	COVER	87 to * G4, E4
21	89458-87	CROSSOVER TUBE (2)	87 to * G4, E4
22	89461-87	SIDE TUBE ASSEMBLY, TOP (2)	87 to * G4, E4
23	89464-87	REINFORCEMENT	87 to * G4, E4
24	89465-74	SPACER (4)	87 to * G4, E4
25	89466-74	SPACER (2)	87 to * G4, E4
26	89467-87	TUBE ASSEMBLY, REAR (2)	87 to * G4, E4
27	89472-74	REINFORCEMENT (2)	87 to * G4, E4
28	89474-87	GUIDE (2)	87 to * G4, E4
29	89475-74	REINFORCEMENT PLATE (2)	87 to * G4, E4
30	89572-87	CROSS SUPPORT, UPPER	87 to * G4, E4
31	89573-87	TUBE ASSEMBLY, LEFT	87 to * G4, E4
32	89578-87	TUBE ASSEMBLY, RIGHT	87 to * G4, E4
		INSTRUCTION SHEET	87 to * G4, E4



SUNTOP, HARD - G4, E4

SUNTOP, HARD - G4, E4

INDEX NO.	PART NO.	NAME	USED ON
1	2004	SCREW, 3/8-16x2 (4)	87 to * G4, E4
2	3859	SCREW, 1/4-20x1-3/4 (8)	E87 to * G4, E4
	2872-W	SCREW, 1/4-20x1-3/4 (4)	L87 to * G4, E4
3	4716-W	SCREW, 3/8-16x1-1/4 (4)	87 to * G4, E4
4	4719-W	SCREW, 3/8-16x2-1/2 (4)	87 to * G4, E4
5	4720-W	SCREW, 3/8-16x1-3/4 (2)	87 to * G4, E4

SUNTOP, HARD – G4, E4 (CONTINUED)

INDEX NO.	PART NO.	NAME	USED ON
6	6701	WASHER, 3/8 (4)	87 to * G4, E4
7	6703	WASHER, 1/4 (16)	87 to * G4, E4
8	7130-W	LOCKWASHER, 3/8 INTERNAL TOOTH (4)	87 to * G4, E4
9	7735	NUT, ACORN, 3/8-16 (4)	87 to * G4, E4
10	7743	LOCKNUT, CENTER, 1/4-20 (8)	87 to * G4, E4
11	7778	LOCKNUT, 3/8-16 (10)	87 to * G4, E4
12	8687	POP RIVET (8)	87 to * G4, E4
13	11432	FINISH PLUG (4)	87 to * G4, E4
14	11725	LOCK FASTENER (2)	87 to * G4, E4
15	11727	KEEPER PLATE (2)	87 to * G4, E4
16	89536-87	MOUNTING PLATE, WINDSHIELD FRAME (2)	87 to * G4, E4
17	89537-87	MOUNTING BRACKET, WINDSHIELD FRAME (2)	E87 G4, E4
	89537-88	MOUNTING BRACKET, WINDSHIELD FRAME (2)	L87 to * G4, E4
18	89556-87	TOP	87 to * G4, E4
19	89557-87	FRAME, REAR SUPPORT	87 to * G4, E4
20	89560-87	MOUNTING PLATE, REAR SUPPORT FRAME (4)	87 to * G4, E4
21	89564-87	FRAME, TOP	87 to * G4, E4
22	89566-87	SUNTOP ASSEMBLY, COMPLETE	E87 G4, E4
	89566-88	SUNTOP ASSEMBLY, COMPLETE	L87 G4, E4
23	89581-87	FRAME, WINDSHIELD	87 to * G4, E4

NUMERICAL INDEX

PART NO.	PAGE	PART NO.	PAGE	PART NO.	PAGE	PART NO.	PAGE	PART NO.	PAGE
358	4	2818	4	3999	11	6257W	51	7036	2
497	24		11	4008	2	6261	18		12
	26		15		7	6332B	16		23
	32		46	4009	6		41		41
498	26		50	4014W	5		51		42
499	26		66		36	6333	9		45
515	20		68	4017	8	6346	31		48
	22	2828W	34		39	6388HB	2		51
	24	2871W	68		44	6416	66	7038	4
	27	2872W	39		47	6417W	31		23
520W	24		59		51	6418B	34		27
	27		68	4053-W	30		36		46
	30	2882-W	65	4252	30	6440B	33		66
	32	2879W	22	4253	30		34	7039	5
	37	2887W	68	4319	34	6522HB	5		36
534	30	3000	7		36	6568B	45	7041	4
	66		16		42	6607W	41		5
551	27		57		44	6642	3		8
554	35	3204W	57		66	6655	28		12
559	28		59	4434-W	44	6678W	69		15
	33	3239W	33	4337W	46	6701	23		32
	61	3419	53	4391	51		24		36
601	22	3427	9	4401W	24		33		43
610	20	3453	33	4411	37		37		45
611	27	3479	4	4427W	24		46		47
1198	20	3482	4	4451W	2		55		48
	22	3491	6	4455	27		66		51
1240W	8	3502	16	4456	27		69		59
1357W	48	3503	16	4713-W	22		71		65
	50	3570	46	4716-W	70	6702	4		66
1370-W	7	3765	59	4719-W	70		8		69
1608	53	3767B	27	4720-W	70		11	7068	6
1764W	24		42	4733	44		15		45
1784	42	3775	4		61		20		46
2004	70		7	4734	9		24	7069	15
2339	19		68	5445W	9		31		57
	52	3782	5	5449-A	47		34		59
2363	40		35	5451	46		39	7112	53
	50	3787	2		47		57	7115	7
2365	50		19	5919	68		66	7118	3
2420	50		40	5927	45		69		59
2501	7		42		47	6703	2	7127	56
2511	18		44		69		18	7130W	7
2551W	9	3789	22	5947W	69		27		20
	16	3859	70	5950	33		41		59
	20	3945	67		34		42		71
	40	3950	44	5965B	52		56	7229W	45
2595	24	3960W	34	5966-W	59		69	7230	43
2612	52		42	6099	4		71	7525	46
2633	7		51	6150W	42	6714W	34		55
2667	68	3974HW	48	6173B	4	6716	42	7552	67
2673	15		51		7		52	7590	53
2685W	3	3987	20	6182W	51		57	7607B	36
	65		32	6192	16		65	7608	52
2788	42		68		19	6718	6		
		3991	4	6228W	11		46		
			35		48	6809	34		
			66	6250	41	7015	52		
		3993	58						

NUMERICAL INDEX

PART NO.	PAGE	PART NO.	PAGE	PART NO.	PAGE	PART NO.	PAGE	PART NO.	PAGE
7624	16	7753	5	8481	51	11432	71	26828-83	19
	19		36	8482	41	11720	2	26829-84	19
	20		45	8483	34	11725	71	26830-84	19
	22		49		69	11727	71	26831-83	19
	24		51	8641B	49	12009	33	26832-83	16
	43		57		51	12011	7		19
	52		60	8684	23	12030	29	26901-71B	15
7634	8	7759	55		27	12041	63	26905-59	15
	15	7764	31	8685	41	12046	4	26906-59A	15
	58	7765	31		43	12098	4	26908-71B	15
7638	22		37	8687	60	16228-67	4	27020-80A	12
	27	7775	31		71		7		15
	59		37	8689	4	16231-80	4	27069-63B	15
7644	67		45		7		66	27099-84	15
7676	12		66	8691	54	16232-70	66	27100-87	14
	24		67	8692	51	16241-70	66	27110-81	15
	27	7776W	24	8693	41	16524-82	2	27126-82	12
	33	7778	4	8880	60	16649-82	2	27127-87	18
7677	24		7	8997	10	16780-63A	2	27131-82A	12
	27		33	9029	39	16784-82	2	27133-82	12
7683	56		34	9030	29	16785-82	2	27158-84A	12
	59		66	9031	29	20002-84	3	27159-87	14
7686	16		69	9032	4	20004-82A	7	27227-81	12
	19		71	9033	28	20014-67	7	27273-82	12
	27	7783	22	9045	33	20017-82A	2	27274-85	12
7688	45		66	9051	33		7	27275-82	12
	51	7800W	27	9070	3	22001-82	2	27288-86	19
	56		46	9117	4	22003-82	2	27674-82	12
	58	7807W	20	9853	31	22004-82	2	27674-87	14
	60		57		38	22005-82	2	27682-82	12
7710W	41		60	9857	58	22006-82	2	27683-84	12
7725	24	7825	31	9858	58	22445-63	2	27684-82	12
	27	7836	31	9911	58	22447-63	2	27691-82	12
	31		38	9922	58	22448-63	2	27693-82	12
7727	51	7845	36	9925	51	22449-63	2	27705-82	12
7735	71		45	9927	7	22450-63	2	27715-82	12
7736	49	7880	46	9955	17	22587-63A	2	27717-82	12
7737W	49	7947W	28		18	23698-82	3	27720-82	12
7739	39		33	9958	10	23703-82A	3	27730-82	12
	46	7960	3		20	23707-82A	3	27730-87	14
7740	20		7	9991-A	18	23708-82	3	27731-82	12
	39	7993	34	9993	15	23759-82	4	27734-82	12
	53	7995	36		54	23764-82	3	27735-82	12
	69		39	10043	20	23962-63C	3	27744-82	12
7741	45	8119-W	18		24	24200-63A	3		13
7742	10	8144	51		27	24493-82	4	27744-87	14
	16	8161	4	10047	10	22495-82	4	27745-82	12
	20		10		58	24794-67	66	27752-83	12
	41		66	11035	24	24801-80	66	27753-82	12
	43	8162	10		27	24803-67	4	27763-87	13
	51	8207	34	11104	24	24804-67	4	27764-87	13
	69		43		27		7	27765-87	14
7743	71	8212	52	11141	4	24811-63	12	27766-87	14
7748W	32	8321	49	11142	4		15	27767-87	14
	45	8480	41	11144	2	25785-30A	24	27768-87	14
	47		43	11416	23	26251-30	27	27769-87	14
	51		45	11414	58	26825-84	19	27770-87	14
	56		49	11417	49	26826-84A	19	27773-87	14
	65		51	11418	41	26827-83	19	27774-87	14

NUMERICAL INDEX

PART NO.	PAGE	PART NO.	PAGE	PART NO.	PAGE	PART NO.	PAGE	PART NO.	PAGE
27775-87	14	30461-77	10	40509-67	20	42482-63	25	47459-82	45
27778-87	14		58		23		67	47524-66	45
27780-87	14	30500-86	7	40511-78	20	42483-63	23	47598-86	31
27781-87	14	30509-86	7		23		25	47711-84	56
27782-87	14	30860-77	10	40513-71	21	42488-63C	25	47728-86	25
27783-87	14	30877-77	10	40514-68	21	42490-67	25		27
27784-87	14	31067-63	47	40516-68	21	42494-63B	25	47729-86	25
27785-87	14		51	40518-85	21	42501-67	25		27
27789-87	14	31407-80A	34	40520-63	21	42634-78A	25	47736-86	25
27790-87	14	31410-86	41	40522-63	21	42643-78	25		27
29072-80	7	31413-84	34		52	42996-83	29	47807-86A	45
29108-82	18	31422-72A	51	40525-67	21	43103-72	29	49079-72	10
29109-82	17	31476-79	10	40530-80	21	43105-83	29	50174-86	43
29110-87	18		12	40532-68A	21	43106-87	29	50175-86	43
29111-87	18	31551-72B	10	40533-68	21	43152-66	29	50176-86	41
29124-84	17	31601-63A	8		23	43156-63	29	50177-86	41
29125-84	17		58	40970-83	29	43158-65	29	50180-86	41
29126-84	17	31610-53	8	40972-83	29	43481-87	29	50187-86	41
29127-84	17	31981-82	8	40980-87	29	43601-83	29	50188-86	41
29128-84	17		58	41199-66A	29	43602-83	29	50189-86	41
29129-84	17	32301-78C	8	41719-86	24	43603-83	29	50190-86	41
29130-71	18		58		27	43605-87	29	50195-85	43
29130-84	17	32585-67	7	41813-86	32	43606-87	29	50196-86	43
29131-71	17	32591-67C	7	41814-86	32	43614-66A	29	50204-85	43
	18	33245-82A	5	41815-86	32	43732-63A	29	50225-85	51
29132-71	18	33246-82	5	41816-86	32	43738-81	29	50250-67	51
28135-71	18	33247-82	5	41817-86	32	43874-81	29	50271-65	45
29139-83A	17	33248-82	5	41818-86	32	43929-86	31		51
	18	33249-82	5	41819-86	32	43934-82	31	50275-66	45
29142-71	18	33250-82	5	41820-86	32	43937-86	31	50278-67A	51
29156-82	10	33251-82	5	41821-86	32	43938-86	31	50278-67B	51
29157-82	18	33252-82	5	41822-86	32	43944-86	31	50279-67A	51
29159-84	16	33254-82	5	41823-86	32	43945-86	31	50279-67B	51
29941-81	10	33260-82	5	41833-82	19	43946-86	31	50280-63A	51
30083-69C	10	34865-82C	6		24	43947-86	31	50281-67	51
	58	35389-72	10		27	44907-86	47	50287-72	51
30098-77	10	35961-52	3	42269-70	24	44911-63	47	50300-86	41
30110-77	10	36398-82A	5		27	44914-63A	47	50311-83	7
30111-77	10		6	42405-86	24	45529-74	33		21
30152-77	10	36410-82	5	42418-86	27	45584-63C	34		23
30153-77	10	36570-82	6	42420-86A	27	45585-84	43		41
30154-77	10	36571-82	6	42439-86	23	45586-84	43		43
30210-77	10	36572-84	6	42443-86	23	45590-85	43		49
30351-77	10	36573-82	6	42444-86	23	45593-70	33		60
30394-77	10	36574-82	6	42445-86	23	45594-70	33	50332-84B	49
	58	36578-82B	6	42446-86	23	45599-63	33		51
30395-77	10	36579-84	6	42450-86	23	45599-70	33	50334-85	51
	58	36598-84	6	42450-87	23	45603-86	67	50336-85	51
30442-77	10	40432-87	60	42451-86	27	45604-82	67	50337-85	51
30443-77	10	40436-87	23	42452-86	27	45630-70	33	50352-86	51
30444-77	10	40437-86	23	42455-86	27	45632-85	33	50356-86	45
30445-77	10	40439-86A	23	42456-86	27	45652-74	33	50369-86	45
30446-77	10	40448-87	23	42457-86A	27	46047-70	33	50381-87	45
	58	40455-78	23	42458-86A	27	46049-63A	33	50528-84	43
30446-77	10	40459-87	23	42461-86	27	47017-86	45	50529-84	43
30447-77	10	40497-85	20	42477-86	24	47048-87	45	50583-72	43
30448-77	10	40498-85	20	42655-86	27	47098-86	45	50588-86	41
30449-77	10	40501-63	20	42480-84	25	47300-66A	45	50588-87	41
		40503-68	20	42481-84	25	47456-74	45	50704-86	41

NUMERICAL INDEX

PART NO.	PAGE	PART NO.	PAGE	PART NO.	PAGE	PART NO.	PAGE	PART NO.	PAGE
50705-86	41	57074-68	36	58105-74	52	66388-64	56	71756-75	60
50706-86	41	57076-68	36	58415-84	43	66453-66	56		65
50752-85	43	57081-67	36	58440-86	51	66462-66A	56	71762-75	60
50754-86	41	57082-67	36	58598-84	51	66561-75	56	71762-82A	58
59755-86	41	57084-67	36	59569-87	52	70015-85	58		60
50972-75	33	57085-84A	36	59607-64A	51	70019-86	58	71765-75A	60
52083-72	51		39	61094-75	54	70019-87	58	71766-82A	60
52107-72	51	57088-67	36	61117-71A	54	70026-82	58	71771-87	65
52329-85	47	57089-84A	36	61247-75	54	70056-82	58	71793-71	21
52630-87	51		39	61248-75	54	70062-82	58	71798-66B	21
52631-87	51	57090-67	36	61249-75	54	70081-82	58	71799-68	21
52935-86	51	57095-86	39	61250-84	54	70099-84	56	71855-85	60
52935-87	51	57122-86	31	61251-75A	54	70105-84	56	72352-73	63
52836-86	51	57123-86	31	61252-80	54		65	73061-86A	25
52937-86	51		38	61252-83	54	70107-85	56		27
52939-86	51	57126-86	31	61260-84	41	70108-85	56	73062-86A	25
52944-87	51	57131-86	31		43	70164-87	7		27
52945-87	51		38	61264-84	41	70196-80	56	73074-61	66
53263-86	51	57132-86	31		43		58	74510-85	58
53266-86	51	57140-86	39	61301-86	54	70351-72	58		60
53270-85	43	57159-86	31	61308-75	54		65	74592-68	58
53275-84	16	57160-86B	31	61309-75	54	70458-80	56		60
53276-86	39	57164-86	38	61310-75	54		58	74886-67	58
53277-86	39	57165-86	38	61564-82	51	70484-85A	65	82009-70A	66
53469-84	49	57166-86	38	61810-81A	54	70496-86	65	82011-70	66
53469-87	49	57167-86	38	61812-75	54	70497-86	65	82012-70	66
53472-84	49	57168-86	38	62346-75	54	70581-73	58	82013-70	66
53473-84	49	57169-86	38	62350-63	54	70584-69	58	82014-70	66
53479-87	49	57170-86	38	62489-85	16	70644-85A	65	82015-70	66
53481-84	49	57171-86	38	62494-85	16	70646-87A	65	82702-82	62
53487-65	49	57172-86	38	62499-87	16	71021-85	65	82703-82	62
53491-65	49	57173-86	38	62503-84	16	71402-79	58	82704-78	62
	51	57174-86	38	62507-85	16		60	82705-78	62
53492-84	49	57175-86	38	62507-87	16	71406-85	65	82706-78	62
53493-84	49	57176-86	38	62508-84	7	71407-85	65	82707-82	62
53493-87	49	57177-86	38		16	71445-83	51	82709-81	51
53499-84	49	57178-86	38	62511-84	16		60	82712-78	62
53547-82	49	57179-86	38	62512-84	16	71448-87	65	82713-78	62
54514-73	45	57180-86	38	62516-84	16	71449-87	65	82717-78	62
54524-73	45	57181-86	38	62517-84	7	71458-87	60	82724-78	62
	61	57182-86	38		16		65	82728-78	62
54564-73	45	57183-86	38	62518-84	16	71459-87	60	82729-78	62
54566-73	45	57184-86	38	62521-84	16		65	82730-78	62
57011-74	34	57195-86	31	62522-85	16	71470-63D	58	82731-78	62
57021-74	34	57197-86	31	62523-84	16	71494-85	60	82734-78	62
57026-84	34	57202-74	34	62531-85	16	71506-63	21	82735-78	62
57032-84	34	57203-74	33	62532-85	16		23	82736-78	62
57037-84	34		34	62534-85	16		58	82737-78	62
57063-67	36	57204-74	33	62537-86	60		60	82749-78	62
57064-69	36		34	63501-68	15	71509-70	21	82770-78	62
57065-67	36	57226-86	38		54		58	82772-82	62
57066-68	36	58013-87	52	63509-75	54	71510-70	21	82785-86	67
57067-68	36	58018-87	52	64007-86	41	71510-87	23	82787-86	67
57067-87	39	58020-87	52	65232-87	55	71513-66A	21	82788-86	67
57068-67	36	58023-87	52	65267-82	55	71513-87	60	82790-86	67
57070-68	36	58034-74	52	65520-82	55	71514-68A	21	82792-86A	67
57071-68	36	58054-74	52	66086-80	56		58	82793-82	67
57072-67	36	58059-74	52		58		60	82806-86	62
57073-67	36	58060-74	52	66323-80	56			82810-86	62

NUMERICAL INDEX

PART NO.	PAGE	PART NO.	PAGE	PART NO.	PAGE	PART NO.	PAGE	PART NO.	PAGE
82821-86	63	89557-87	71						
82948-73	62	89560-87	71						
82948-74	62	89564-87	71						
83004-72	45	89566-87	71						
83032-73	62	89572-87	69						
83033-73	62	89573-87	69						
83034-73	62	89578-87	69						
83035-73	62	89581-87	71						
83051-73	62	91071-85	46						
83072-73	62	91072-85	46						
83073-73	62	91073-86	46						
83074-73	62	91083-84	46						
83085-73	62	91113-86	45						
83103-73	62	91847-63B	54						
83104-73	62	91848-84	16						
83106-63A	62		54						
83108-74	62								
83112-63A	62								
83125-82	62								
83131-63	62								
83133-63A	62								
83135-82	62								
83975-37A	33								
83253-86	64								
83255-86	64								
83259-75	64								
83280-86	64								
83281-86	64								
83282-86	64								
83283-86	64								
83284-86	64								
83285-86	64								
83286-86	64								
83287-86	64								
83288-86	64								
83289-86	64								
83290-86	64								
83291-86	64								
83292-86	64								
83293-86	64								
83294-86	64								
83295-86	64								
83296-86	64								
85210-42A	45								
	66								
85213-42A	45								
89457-74	69								
89458-87	69								
89461-87	69								
89464-87	69								
89465-74	69								
89466-74	69								
89467-87	69								
89472-74	69								
89474-87	69								
89475-74	69								
89536-87	71								
89537-87	71								
89556-87	71								



350 N. Dewey • P.O. Box 30 • Reedsburg, WI 53959
Phone (608) 524-8888 • Toll Free 1 (800) 222-4653 • Fax (608) 524-8380
Web www.parcars.com • E-Mail info@parcars.com

©Copyright 1999, Columbia ParCar Corp.
All rights reserved. Printed in USA