

AMF

Harley-Davidson

**PARTS CATALOG
SUPPLEMENT**

Electric Golf Car/Utilicar

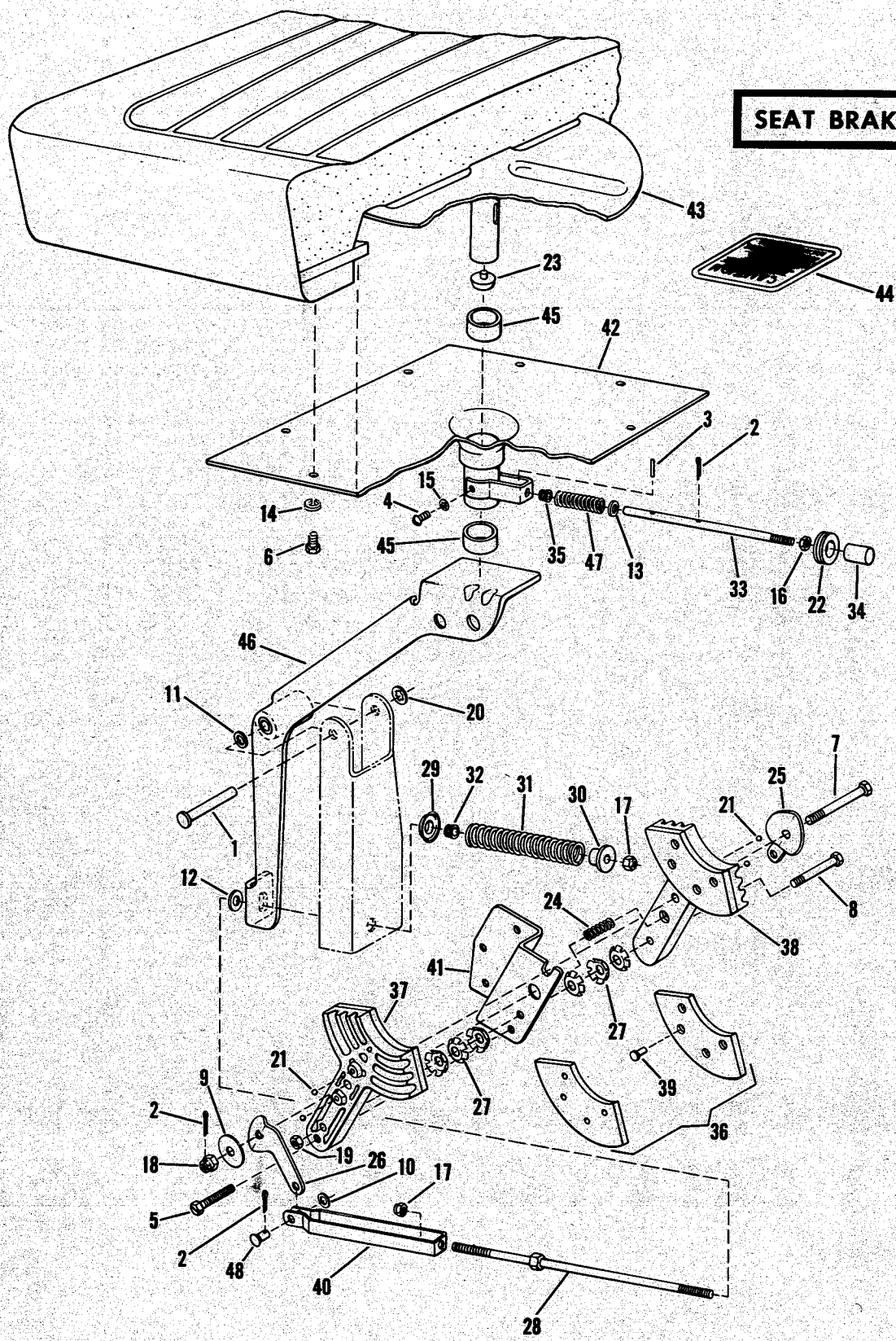
1975
1963 to

USE THIS SUPPLEMENT WITH CATALOG NO. 99449-73

REPRINTED SEPT. 1983

No. 99449-75

SEAT BRAKE



INDEX PART
NO. NO.

N A M E

USED ON

SEAT BRAKE

1	360W	PIVOT PIN, seat brake lever	72 to * - DE, DE4
2	515	COTTER PIN, 1/16 x 3/4 (3).....	72 to * - DE, DE4
3	612	ROLL PIN, lockout rod	72 to * - DE, DE4
4	2668	SCREW, No. 10-24 x 9/16 rd. hd.....	72 to * - DE, DE4
5	2796W	SCREW, 1/4-20 x 1-1/2 hex. slot hd. (locking).....	72 to * - DE, DE4
6	3767B	BOLT, 1/4-20 x 5/8 hex. hd. (4)	72 to * - DE, DE4
7	4064W	BOLT, 5/16-24 x 3-3/4 hex. hd. (drilled).....	72 to * - DE, DE4
8	4725	BOLT, 5/16-24 x 2-3/4 hex. hd.....	72 to * - DE, DE4
9	6321H	WASHER, 5/16 x 1 x 1/16.....	72 to * - DE, DE4
10	6375B	WASHER, 3/8 x 9/16 x 1/32.....	72 to * - DE, DE4
11	6409	WASHER, 1/2 x 3/4 x 1/32	72 to * - DE, DE4
12	6410	WASHER, 1/4 x 9/16 x 1/16	72 to * - DE, DE4
13	6701	WASHER, 3/8 x 13/16 x 1/16	72 to * - DE, DE4
14	7036	LOCKWASHER, 1/4 (4).....	72 to * - DE, DE4
15	7118	LOCKWASHER, No. 10 internal tooth.....	72 to * - DE, DE4
16	7643W	NUT, 3/8-16	72 to * - DE, DE4
17	7682	LOCKNUT, 1/4-28 (2).....	72 to * - DE, DE4
18	7728	CASTLE NUT, 5/16-24 x 5/16 x 1/2 hex.....	72 to * - DE, DE4
19	7729	LOCKNUT, 5/16-24 x 1/4 x 1/2 hex.....	72 to * - DE, DE4
20	8112B	PUSH NUT, lever pivot pin.....	72 to * - DE, DE4
21	8858	Ball (4)	72 to * - DE, DE4
22	11422	GROMMET, lockout knob	72 to * - DE, DE4
23	26814-67	CONTACT BUTTON, plunger plate.....	72 to * - DE, DE4
24	38078-47	SPRING, brake shoe.....	72 to * - DE, DE4
25	41421-72	BRAKE CAM LEVER	72 to 74 - DE, DE4
	41421-74	BRAKE CAM LEVER	75 to * - DE, DE4
26	41422-72	BRAKE CAM	72 to 74 - DE, DE4
	41422-74	BRAKE CAM	75 to * - DE, DE4
27	41424-63	SPRING WASHER (6)	72 to * - DE, DE4
28	41714-72	OPERATING ROD	72 to 74 - DE, DE4
	41714-74	OPERATING ROD	75 to * - DE, DE4
29	41722-72	RETAINER, operating rod spring.....	72 to * - DE, DE4
30	41775-72	GUIDE, operating rod spring.....	72 to * - DE, DE4
31	41776-72	SPRING, operating rod.....	72 to * - DE, DE4
32	41777-72	BUSHING, operating rod	72 to * - DE, DE4
33	41778-72	LOCKOUT ROD.....	72 to * - DE, DE4
34	41779-72	KNOB, lockout	72 to * - DE, DE4
35	41780-72	BUSHING, lockout rod	72 to * - DE, DE4
36	41810-64A	SET OF BRAKE LININGS AND RIVETS.....	72 to * - DE, DE4
37	41811-64A	BRAKE SHOE, front.....	72 to * - DE, DE4
38	41811-71	BRAKE SHOE, rear	72 to * - DE, DE4
39	41841-63	RIVET, brake lining (8).....	72 to * - DE, DE4
40	42267-72	CLEVIS	72 to 74 - DE, DE4
	42267-74	CLEVIS	75 to * - DE, DE4
41	47748-72	BRACKET, brake shoe	72 to * - DE, DE4
42	52043-72	GUIDE PLATE, plunger plate	72 to * - DE, DE4
43	52045-72	PLUNGER PLATE, seat brake	72 to * - DE, DE4
44	52056-72A	CAUTION LABEL	72 to * - DE, DE4
	52057-72	BODY LATCH ASSEMBLY	72 to * - DE, DE4
		Consists of:	
	559	COTTER PIN, body latch spring collar, 1/8 x 1-1/4	
	41049-70	SPRING, body latch	
	52042-72	LEVER, body latch	
	52052-72	COLLAR, body latch spring	
	52059-72	SUPPORT, body latch	
45	52068-72	BUSHING, guide plate (2)	72 to * - DE, DE4
46	52070-72	LEVER, seat brake	72 to 74 - DE, DE4
	52070-74	LEVER, seat brake	75 to * - DE, DE4
47	73074-61	SPRING, lockout rod	72 to * - DE, DE4
48	73092-61B	PIN, clevis to brake	72 to * - DE, DE4

NOTE: Asterisk (*) indicates part is used for latest model year shown on cover.

ACCELERATOR PEDAL - PAGE 3

NOTE: On page 3, Index No. 19 located in list between Index Nos. 30 and 32 should be corrected to read 31.

3984W	BOLT (Replaced by 3987)	
3987	BOLT, 5/16-18 x 11/16 hex. hd. (2)	67 to * - DE, DEC, DE4
40494-72	INTERLOCK SHAFT, accelerator, with bearing	72 to * - DE4
40496-72	SPACER, left of accelerator pedal	72 to * - DE4
40499-72	ACCELERATOR PEDAL	72 to * - DE4
40501-63	BUSHING SPACER, accelerator	63 to 67 - DE, DEF, DEC; Late 71 to * - DE
40512-66	INTERLOCK SHAFT, accelerator, with bearing	66 & 67 - DE, DEC
40512-68A	INTERLOCK SHAFT, accelerator, with bearing	68 to * - DE, DEC
40519-72	BRACKET, accelerator	72 to * - DE4
71513-66A	SPRING, speed switch rod	66 to * - DE, DEC, DE4
71792-71	SLEEVE, accelerator linkage rod	Late 71 - DE
71793-71	BEARING, accelerator interlock shaft	66 to * - DE, DEC, DE4
71798-66B	ROD, accelerator linkage	66 to 68 - DEC; 66 to * - DE, DE4

BRAKE PEDAL - DISC BRAKE - PAGE 5

47739-63	BRAKE CONTROL CABLE AND COIL ASSY	63 to 65 - DE, DEF, DEC
47739-71	BRAKE CONTROL CABLE AND COIL ASSY	Late 71 to 74 - DE, DE4
47740-63A	BRAKE CONTROL CABLE AND COIL (Replaced by 47739-63)	
47740-74	BRAKE CONTROL CABLE AND COIL ASSEMBLY	75 to * - DE4
47761-74	BRAKE CONTROL CABLE AND COIL ASSEMBLY	75 to * - DE
73092-61B	CLEVIS PIN, brake cable (brake end)	63 to * - DE, DEF, DEC

HAND BRAKE CONTROL - PAGE 7

73092-61B	CLEVIS PIN, brake cable (brake end)	69 & 70 - DEC
-----------	-------------------------------------	---------------

WHEELS - PAGE 11

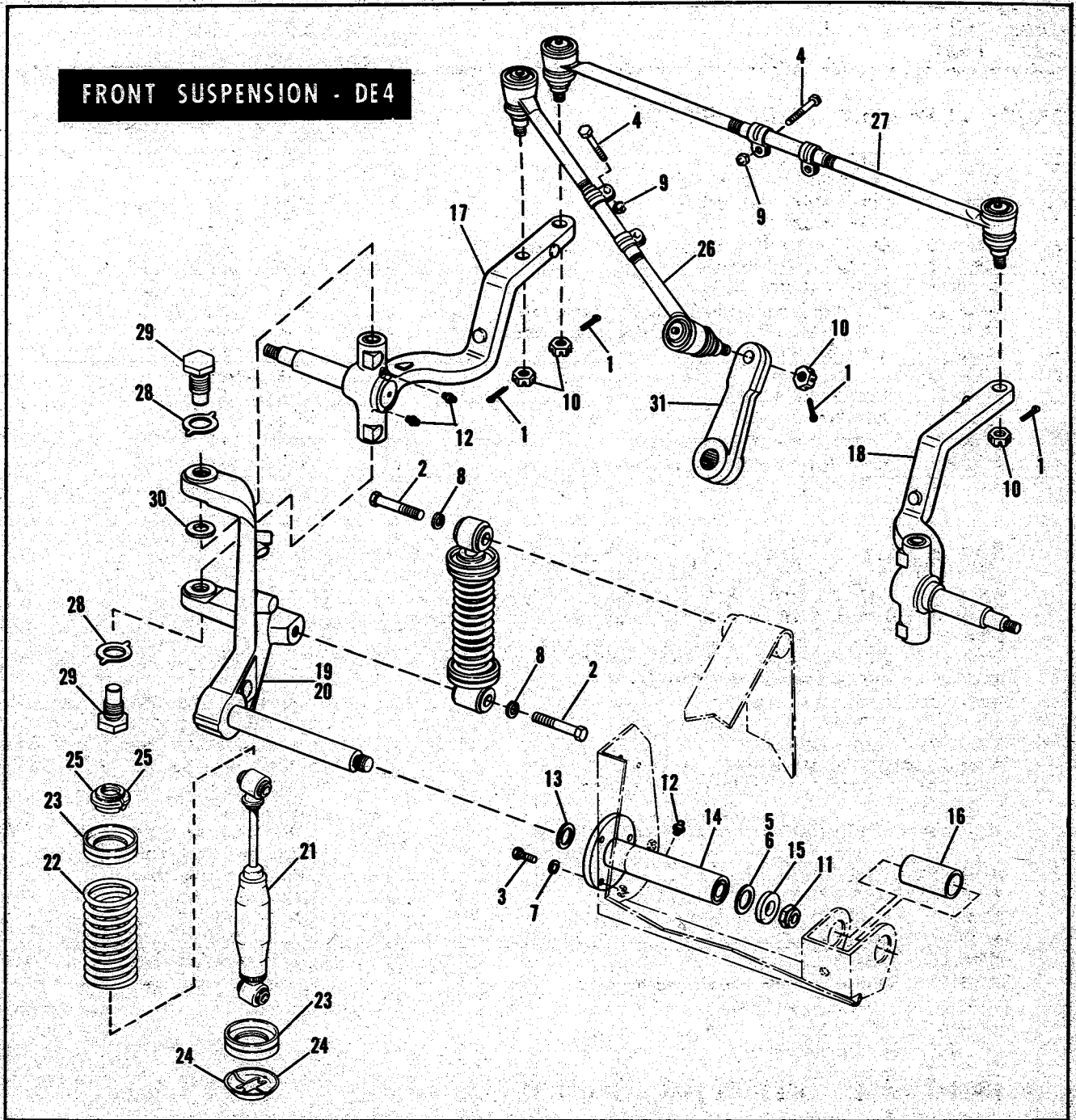
559	COTTER PIN, axle nut, 1/8 x 1-1/4	72 to * - DE4
9033	FRONT WHEEL BEARING (2) (outer front - DE4)	63 to * - DE, DEF, DEC, DE4
9977	CLIP, hub cap (4)	63 to * - DE, DEC, DE4
40972-71	WHEEL ASSEMBLY WITH TIRE, (9.50 x 8 - 4 ply)	66 to * - DE, DE4
41024-63	HUB (Replaced by 41026-66, 43017-66B & 43152-66)	
41024-66	HUB (Replaced by 41026-66)	
41026-66	HUB, rear wheel (2)	66 to 70 - DE, DEC
43017-66B	WHEEL RIM, (9.50 x 8)	66 to * - DE, DE4
43102-72	TIRE, rib tread (9.50 x 8 - 4 ply)	72 to * - DE, DE4
43103-72	TIRE, rib tread (8.50 x 8 - 4 ply)	72 to * - DE, DE4
43104-72	TIRE, traction tread (8.50 x 8 - 4 ply)	72 to * - DE, DE4
43640-72	HUB ASSEMBLY, front wheel (includes bearings and seal)	72 to * - DE4
43641-72	GREASE CAP, hub	72 to * - DE4
43732-63A	OIL SEAL, front wheel (2)	63 to * - DE, DEF, DEC
43734-72	OIL SEAL, front wheel	72 to * - DE4
43738-63A	SPACER, front axle	63 to * - DE, DEF, DEC
48314-70	FRONT WHEEL BEARING, inner (2)	72 to * - DE4

FRONT SUSPENSION - DE4

1	520W	COTTER PIN, 1/8 x 1 (4)	72 to * - DE4
2	3776W	BOLT, 7/16-14 x 2-1/4 hex. hd. (4)	72 to * - DE4
3	3974HW	BOLT, 5/16-24 x 3/4 hex. hd. (6)	72 to * - DE4
4	4020W	BOLT, 5/16-24 x 1-3/8 hex. hd. (4)	72 to * - DE4
5	6878	SHIM WASHER, suspension arm rod - .005	72 to * - DE4
6	6879	SHIM WASHER, suspension arm rod - .007	72 to * - DE4
7	7041	LOCKWASHER, 5/16 (6)	72 to * - DE4
8	7056	LOCKWASHER, 7/16 (4)	72 to * - DE4
9	7753	NUT, 5/16-24 x 1/4 x 1/2 hex. (4)	72 to * - DE4

NOTE: Asterisk (*) indicates part is used for latest model year shown on cover.

FRONT SUSPENSION - DE4



INDEX PART

NO.	PART NO.	NAME	USED ON
10	7867W	CASTLE NUT, 7/16-20 (4)	72 to * - DE4
11	7960	LOCKNUT, 7/8-14 (2)	72 to * - DE4
12	9851	GREASE FITTING (6)	72 to * - DE4
13	35363-52	SHIM WASHER (2)	Early 72 - DE4
	37584-67	STUD, stop block (2)	72 to Early 74 - DE4
14	43637-72	SUSPENSION TUBE	72 to * - DE4
15	43642-72	SPACER, suspension arm rod (2)	72 to * - DE4
16	43643-72	SLEEVE	72 to * - DE4
	43810-74	STEERING STOP KIT	72 to Early 74 - DE4
		Consists of:	
	7686	LOCKNUT, 1/4-20 x 5/16 x 7/16 hex. (4)	
	43811-74	STOP BLOCK, with 37584-67 studs (2)	
	43812-74	CLAMP BAR (2)	

FRONT SUSPENSION - DE4 (CONT'D)

NO. INDEX	NO. PART	N A M E	USED ON
--------------	-------------	---------	---------

FRONT SUSPENSION - DE4 (CONT'D)

17	43852-72	SUPPORT ARM, axle - right	72 to * - DE4
18	43853-72	SUPPORT ARM, axle - left	72 to * - DE4
19	43858-72	SUSPENSION ARM, right	72 to * - DE4
20	43859-72	SUSPENSION ARM, left	72 to * - DE4
21	54549-72	SHOCK ABSORBER, only	72 to * - DE4
22	54563-72	SPRING, shock absorber (2)	72 to * - DE4
23	54620-72	SPRING GUIDE, shock absorber (4)	72 to * - DE4
24	54622-72	RETAINER, shock absorber spring guide - lower (4)	72 to * - DE4
25	54635-67	RETAINER, shock absorber spring guide - upper (4)	72 to * - DE4
26	57043-72	TIE ROD, short	72 to * - DE4
27	57044-72	TIE ROD, long	72 to * - DE4
28	57048-72	LOCKWASHER, king pin (4)	72 to * - DE4
29	57055-72	KINGPIN (4)	72 to * - DE4
30	57056-72	THRUST WASHER (2)	72 to * - DE4
31	57093-72	ARM, steering gear	72 to * - DE4

DISC BRAKE, SHEAVE, V-BELTS 1963 TO 1968 MODEL DEF & DEC 1963 & LATER MODEL DE - PAGE 13

2796W	SCREW, 1/4-20 x 1-1/2 slot hd. (locking)	67 to * - DE, DEC, DE4
2798W	SCREW (Replaced by 2796W)	
4064W	BOLT, 5/16-24 x 3-3/4 hex. hd. (drilled)	Late 71 to * - DE, DE4
5977W	SPACER	Late 71 to * - DE, DE4
41421-72	BRAKE CAM LEVER	Late 71 to 74 - DE, DE4
41421-74	BRAKE CAM LEVER	75 to * - DE, DE4
41810-64A	SET OF BRAKE LININGS AND RIVETS	64 to * - DE, DEF, DEC, DE4 (Above Serial No. 64D-2201)
41811-64A	BRAKE SHOE, rear (front - Late 71 & later)	64 to * - DE, DEF, DEC, DE4 (Above Serial No. 64D-2201)
41811-71	BRAKE SHOE, rear	Late 71 to * - DE, DE4
41812-64B	BRAKE SHOE, front	63 to * - DE, DEF, DEC, DE4
47745-72	BRACKET, brake mounting	Late 71 to 74 - DE, DE4
47745-74	BRACKET, brake mounting	75 to * - DE, DE4
47748-72	BRACKET, brake shoe	Late 71 to * - DE, DE4
52083-72	CAUTION LABEL, brake adjustment	Late 72 to * - DE, DE4

FRONT FORK - 1963 TO 1969 - PAGE 17

4337W	BOLT, 3/8-24 x 1-1/4 hex. hd. (steering wheel) (correction)	67 to 69 - DE; 69 - DEC
45525-63A	FORK WITH BUSHINGS (Replaced by 45526-67A)	
45526-67A	FORK WITH BUSHINGS (used with steering wheel)	67 to 69 - DE; 69 - DEC
45587-63	STEERING SPROCKET (2.63:1 ratio)	63 to 69 - DE; 69 - DEC
45595-63	BEARING CONE (Replaced by 82844-63A)	
57012-65	STEERING CHAIN (1.45:1 ratio), with connecting link (28 pitches)	65 to 69 - DEF, DEC; 69 - DE
57014-63	STEERING CHAIN, (2.63:1 ratio), with connecting link (36 pitches)	63 to 69 - DE; 69 - DEC
82844-63A	ROLLER BEARING, steering head lower	63 to 69 - DE, DEF, DEC

NOTE: Asterisk (*) indicates part is used for latest model year shown on cover.

PART
NO.

NAME

USED ON

FRONT FORK - 1970 & LATER - PAGE 19

NOTE: In illustration on page 18, cross out No. 12 in two locations and indicate as No. 14. Cross out old No. 14 in two locations and indicate as a part of No. 8.

2828W	BOLT, fork bracket, 3/8-16 x 3 hex. hd. (2)	74 to * - DE
6701	WASHER, fork bracket, 3/8 x 13/16 x 1/16 (2)	74 to * - DE
7778	LOCKNUT, fork bracket, 3/8-16 x 7/16 x 9/16 hex. (2)	74 to * - DE
45529-74	FORK WITH BUSHINGS	74 to * - DE
45577-70	STEERING SPROCKET, 16 T. (1.45:1 ratio)	70 - DE, DEC
45577-71	STEERING SPROCKET, 13 T. (1.44:1 ratio)	71 & 72 - DE
45586-70	BEARING CUP (Replaced by 45589-70)	
45587-70	STEERING SPROCKET, 29 T. (2.63:1 ratio)	70 - DE, DEC
45587-71	STEERING SPROCKET, 23 T. (2.55:1 ratio)	71 to 73 - DE
45589-70	BEARING CUP, only - fork stem (2)	70 & 71 - DE, DEC
45652-74	BRACKET, fork	74 to * - DE
57012-65	STEERING CHAIN, with connecting link (1.45:1 ratio) (28 pitches)	70 - DE, DEC
57012-71	STEERING CHAIN, with connecting link (1.44:1 ratio) (22 pitches)	71 to 73 - DE
57014-63	STEERING CHAIN, with connecting link (2.63:1 ratio) (36 pitches)	70 - DE, DEC
57014-71	STEERING CHAIN, with connecting link (2.55:1 ratio) (28 pitches)	71 to 73 - DE
57202-74	SLIDER BLOCK, tiller	74 to * - DE
57203-74	CHANNEL, slider block	74 to * - DE
57204-74	SPACER, guide mounting (2)	74 to * - DE

STEERING TILLER - PAGE 21

3960W	BOLT, 5/16-24 x 1 hex. hd.	63 to * - DE, DEF, DEC
6253W	WASHER (Replaced by 6329W)	
6329W	WASHER, 5/16 x 7/8 x 3/32	63 to 73 - DE, DEF, DEC
6418B	WASHER, 3/8-1-1/8 x 11/64 (2)	Late 67 to * - DE; 69 & 70 - DEC
6809	THRUST WASHER, tiller shaft - upper	74 to * - DE
7775	LOCKNUT, 3/8-24 x 7/16 x 9/16	71 to * - DE
8110	WING NUT (Replaced by 7775)	
45581-67A	STEERING HEAD BRACKET (steering wheel)	Late 67 to * - DE; 69 & 70 - DEC
57011-74	TILLER SHAFT TUBE ASSEMBLY	74 to * - DE
57021-63B	TILLER SHAFT	Late 63 to 70 - DE, DEC
57021-74	TILLER SHAFT	74 to * - DE
57035-69	HOLE PLUG, fork housing top	69 & 70 - DEC

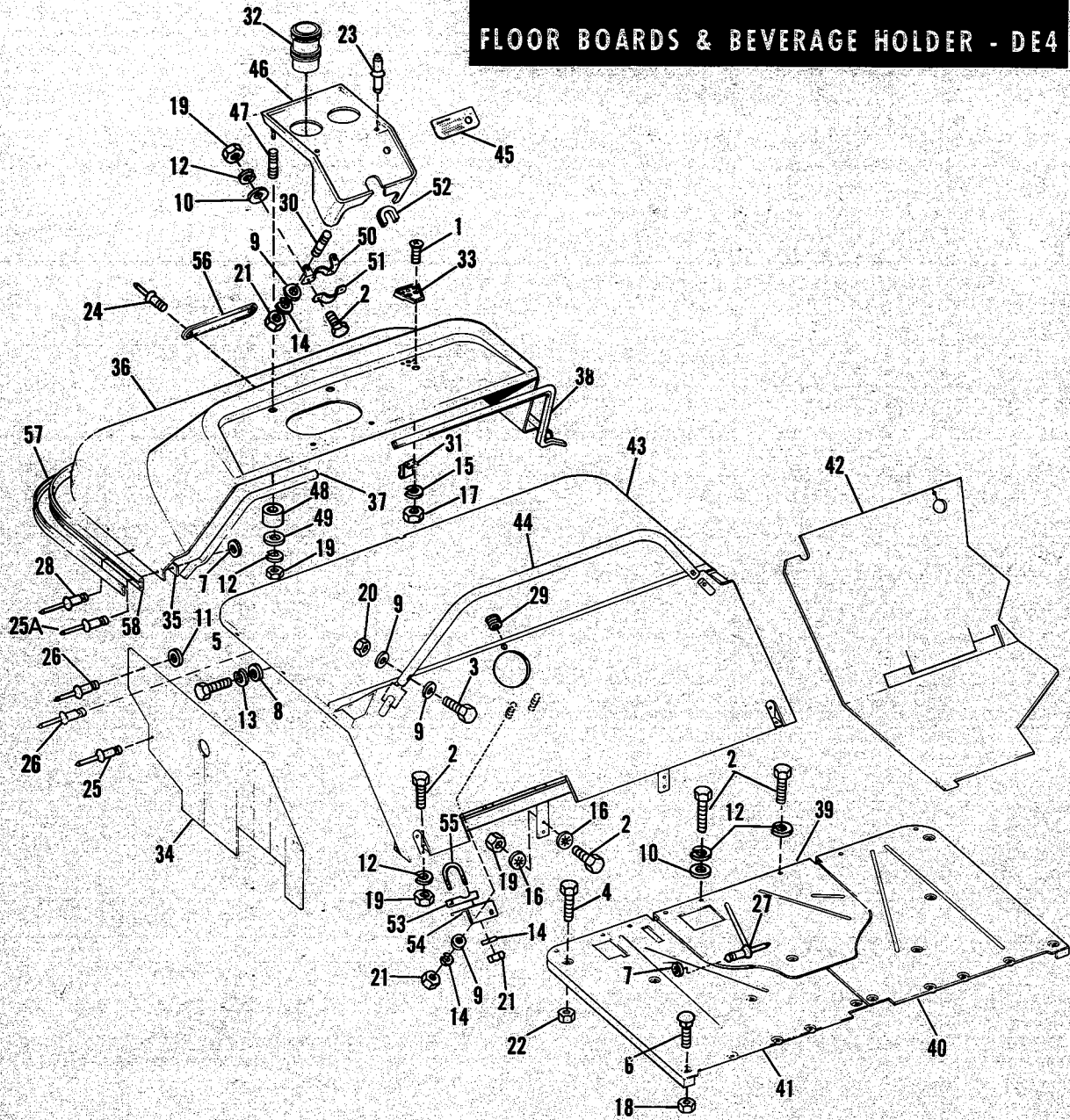
STEERING WHEEL AND STEERING GEAR - PAGE 23

3858	BOLT, steering gear mounting - lower (3)	72 to * - DE4
7056	LOCKWASHER, steering gear mounting - lower, 7/16 (3)	72 to * - DE4
57074-68	SEAL, end cap (correction)	69 & 70 - DEC; Late 68 to * - DE, DE4 (Above Serial No. 68DE-6172)
57092-72	STEERING GEAR ASSEMBLY	72 to * - DE4

FORK HOUSING SHIELDS - ACCESSORY PANEL AND CARRY-ALL - PAGE 25

3491	BOLT, fork housing - bottom, No. 8-32 x 5/8 hex. hd. (12)	72 to * - DE
3491	BOLT, housing to floorboard, No. 8-32 x 5/8 hex. hd. (12)	72 to * - DE
3960W	BOLT, fork housing, 5/16-24 x 1 hex. hd.	63 to * - DE, DEF, DEC
6150W	WASHER, carry-all - right & left, No. 10 x 3/8 x 1/16 (4)	71 - DE
6150W	WASHER, shield, No. 10 x 3/8 x 1/16 (24)	72 to * - DE
6192	WASHER, housing to floorboard, No. 8 x 13/32 x 1/32 (12)	72 to * - DE
6329W	WASHER, fork housing bolt, 5/16 x 7/8 x 3/32	63 to 73 - DE, DEF, DEC
7609W	LOCKNUT, housing to floorboard, No. 8-32 (12)	72 to * - DE
8112B	PUSH NUT, carry-all (4)	72 to * - DE, DE4
8685	POP RIVET, shield (24)	72 to * - DE
8685	POP RIVET, carry-all - right & left (4)	71 - DE
31418-67A	PLASTIC COVER, accessory panel (instructions)	67 to 69 - DE, DEC; 70 to * - DE
50535-73	FLOOR MAT	73 to * - DE
61170-71	NAME TRANSFER - "AMF"	71 - DE
61771-72	NAME PLATE	72 to * - DE, DE4
64001-72	CARRY-ALL (between seats)	72 to * - DE, DE4
64009-63	PAD, carry-all (2 - 1972 & later)	63 to 66 - DE; 72 to * - DE, DE4

**FRONT HOUSING, INSTRUMENT PANEL,
FLOOR BOARDS & BEVERAGE HOLDER - DE4**



INDEX PART
NO. NO.

N A M E

USED ON

FRONT HOUSING, INST. PANEL, FLOOR BOARDS AND
BEVERAGE HOLDER - DE4

1	2270	SCREW, No. 10-24 x 9/16 (2)	72 to * - DE4
2	3787	BOLT, 1/4-20 x 3/4 hex. hd. (12)	72 to * - DE4
3	4036	BOLT, 5/16-24 x 1-1/2 hex. hd. (2)	72 to * - DE4
4	4376W	BOLT, 1/2-20 x 15/16 hex. hd. (2)	72 to * - DE4
5	4716W	BOLT, 3/8-16 x 1-1/4 hex. hd. (2)	72 to * - DE4
6	5405B	CARRIAGE BOLT, 1/4-20 x 3/4 (14)	72 to * - DE4
7	6150W	WASHER, 3/16 x 3/8 x 1/16 (22)	72 to * - DE4
8	6701	WASHER, 3/8 x 13/16 x 1/16 (2)	72 to * - DE4
9	6702	WASHER, 5/16 x 11/16 x 1/16 (8)	72 to * - DE4
10	6703	WASHER, 1/4 x 5/8 x 1/16 (4)	72 to * - DE4
11	6716	WASHER, 7/32 x 1/2 x 3/64 (2) (mud flap - 3)	72 to * - DE4
12	7036	LOCKWASHER, 1/4 (12)	72 to * - DE4
13	7038	LOCKWASHER, 3/8 (2)	72 to * - DE4
14	7041	LOCKWASHER, 5/16 (6)	72 to * - DE4
15	7069	LOCKWASHER, No. 10 (2)	72 to * - DE4
16	7124	LOCKWASHER, 1/4 internal tooth (4)	72 to * - DE4
17	7620W	NUT, No. 10-24 x 1/8 x 3/8 hex. (2)	72 to * - DE4
18	7686	LOCKNUT, 1/4-20 (14)	72 to * - DE4
19	7688	NUT, 1/4-20 x 1/4 x 1/2 (8)	72 to * - DE4
20	7727	NUT, 5/16-24 (2)	72 to * - DE4
21	7748W	NUT, 5/16-18 x 1/4 x 1/2 hex. (6)	72 to * - DE4
22	7905	NUT, 1/2-20 x 3/8 x 3/4 hex. (2)	72 to * - DE4
23	8209	POP RIVET, countersunk hd. - inst. panel, rear (2)	72 to * - DE4
24	8321	POP RIVET, nameplate (2)	72 to * - DE4
25	8480	POP RIVET, rubber splash shield (8)	72 to * - DE4
25A	8481	POP RIVET, front housing (12)	72 to * - DE4
	8488B	POP RIVET, mud flap (3)	Late 72 to * - DE4
26	8641B	POP RIVET, rubber splash shield - upper front (2); support frame - front (2)	72 to * - DE4
27	8685	POP RIVET, floorboards (10)	72 to * - DE4
28	8687	POP RIVET, front housing channel (5)	72 to * - DE4
29	11412	GROMMET, floorboard	72 to * - DE4
30	20014-67	STUD, instrument panel - 5/16-18 threads (2)	72 to * - DE4
31	31412-72	SCORE CARD CLIP	72 to * - DE4
32	31422-72	BEVERAGE HOLDER (2)	72 to * - DE4
33	31423-72	SCORE CARD HOLDER	72 to * - DE4
34	50223-72	SPLASH SHIELD, rubber (2)	72 to * - DE4
35	50228-72	TAPE, front housing - 77 in.	72 to * - DE4
36	50230-72	FRONT HOUSING	72 to * - DE4
37	50309-72	TRIM, front housing - left	72 to * - DE4
38	50310-72	TRIM, front housing - right	72 to * - DE4
39	50522-72	FLOOR PANEL, center	72 to * - DE4
40	50523-72	FLOOR PANEL, right	72 to * - DE4
41	50526-72	FLOOR PANEL, left	72 to * - DE4
42	50538-72A	FLOOR MAT	72 to * - DE4
43	50563-72	SUPPORT FRAME, front housing	72 to * - DE4
44	50581-72	SUPPORT TUBE, front housing	72 to * - DE4
	50583-72	TAPE, support tube - 33 in.	72 to * - DE4
45	52018-72	SEAT BRAKE CAUTION LABEL, instrument panel	72 to * - DE4
46	53236-72	INSTRUMENT PANEL	72 to * - DE4
47	53238-72	STUD, instrument panel - 1/4-20 threads (2)	72 to * - DE4
48	53239-72	SPACER, instrument panel mounting (2)	72 to * - DE4
49	53240-72	WASHER, instrument panel mounting (2)	72 to * - DE4
50	53241-72	CLAMP BRACKET, steering column	72 to * - DE4
51	53242-72	CLAMP, steering column	72 to * - DE4
52	53243-72	GASKET TRIM, instrument panel to steering column	72 to * - DE4
53	57022-72	BRACKET, u-bolt - steering column	72 to * - DE4
54	57057-72	BRACKET, steering column to housing	72 to * - DE4
55	57058-72	U-BOLT, steering column support	72 to * - DE4
	59245-72	MUD FLAP, brake pedal assy	Late 72 to * - DE4
56	61771-72	NAMEPLATE	72 to * - DE4
57	88699-72A	VINYL TRIM, front housing	72 to * - DE4
58	88700-72	CHANNEL, front housing vinyl trim	72 to * - DE4

NOTE: Asterisk (*) indicates part is used for latest model year shown on cover.

PART
NO.

N A M E

U S E D O N

FRAME AND REAR SUSPENSION – PAGE 26

515	COTTER PIN, 1/16 x 3/4 (2).....	66 to * – DE, DEC
2336	SCREW, 1/4-20 x 1-1/8 oval ctsk. hd. (4) (correction).....	66 – DE
3950	BOLT, rear fork, 1/2-20 x 4 hex. hd. (2).....	66 to * – DE, DEC, DE4
3953B	PIVOT BOLT (Replaced by 3950)	
3956	BOLT (Replaced by 4391)	
4017	BOLT, hinge to body, 5/16-18 x 1 hex. hd. (4).....	Late 72 to * – DE, DE4
4391	BOLT, 5/16-24 x 5/8 hex. hd. (4).....	63 to * – DE, DEF, DEC
6403B	SPRING WASHER, body support, 3/8 x 5/8 x 1/32 (2).....	71 to * – DE, DE4
6403B	SPRING WASHER, body support – lower (2).....	71 to * – DE, DE4
6678W	WASHER, 5/16 x 1-1/2 x 3/16 (4) (not used with rear bumper).....	63 to * – DE, DEF
6681	WASHER (Replaced by 6684)	
6684	WASHER, 7/8 x 2-1/8 x 1/32 (nylon) (2).....	66 to * – DE, DEC, DE4
6702	WASHER, shock absorber lower bracket, 5/16 x 11/16 x 1/16 (2).....	Late 73 to * – DE, DE4
7060	LOCKWASHER (Replaced by 7068)	
7068	LOCKWASHER, shock absorber, 1/2 (2).....	66 to * – DE, DEC DE4
7685	NUT (Replaced by 7742)	
7686	LOCKNUT (Replaced by 7742)	
7740	LOCKNUT, hinge to body, 5/16-18 (4).....	Late 72 to * – DE, DE4
7741	LOCKNUT, rear fork pivot bolt, 1/2-20 (2).....	Late 72 to * – DE, DE4
7742	NUT, floor panel to frame, 1/4-20 (14).....	63 to * – DE, DEF, DEC
44908-74	CUSHION, frame to body – rear (2).....	74 to * – DE, DE4
47018-71A	FRAME.....	Late 71 to 73 – DE
47018-74	FRAME.....	74 – DE
47025-72	FRAME.....	72 & 73 – DE4
47025-74	FRAME.....	74 – DE4
47089-75	FRAME.....	75 to * – DE4
47098-75	FRAME.....	75 to * – DE
47461-66C	REAR FORK, complete.....	66 to * – DE, DEC, DE4
50225-73	WARNING LABEL (2).....	73 to * – DE, DE4
50514-67B	FLOOR PANEL, left.....	67 to * – DE; 69 & 70 – DEC
50514-70	FLOOR PANEL, left (Replaced by 50514-67B)	
50519-67B	FLOOR PANEL, right.....	67 to * – DE; 69 & 70 – DEC
50519-70	FLOOR PANEL, right (Replaced by 50519-67B)	
54514-73	SHOCK ABSORBER (2).....	Late 73 to * – DE, DE4
54521-72	SHOCK ABSORBER.....	72 to Early 73 – DE4
54524-73	LOWER BRACKET, shock absorber.....	Late 73 to * – DE, DE4
54564-73	REAR SPRING (2).....	Late 73 to * – DE, DE4
54566-73	REAR SPRING (2).....	Late 73 to * – DE, DE4
83004-72	RUBBER BUMPER (2).....	72 to * – DE, DE4
85213-42A	SHOULDER BOLT, shock absorber (2).....	66 to * – DE, DEC, DE4

REAR BUMPER – PAGE 29

4017	BOLT, rear bumper bracket to body, 5/16-18 x 1 hex. hd. (4).....	Late 72 to * – DE, DE4
5450C	CARRIAGE BOLT, 5/16-18 x 1-1/2 (6) (2 – late 72 & later).....	63 to * – DE, DEF, DE4
6319HW	WASHER (Replaced by 6702)	
6702	WASHER, rear bumper, 5/16 x 11/16 x 1/16 (8).....	74 to * – DE, DE4
7740	LOCKNUT, rear bumper, 5/16-18 (10).....	Late 72 to * – DE, DE4
7740	LOCKNUT, bumper, 5/16-24 (12).....	74 to * – DE, DE4
44912-63A	CARRIAGE BOLT, rear bumper brackets, 5/16-18 x 1-1/8 (4).....	Late 72 to 73 – DE, DE4
44913-74	BUMPER (2).....	74 to * – DE, DE4

BAG HOLDERS – PAGE 31

2410W	SCREW (Replaced by 1357W)	
6228W	WASHER, bag holder support bracket, 1/4 x 1/2 x 1/16 (4).....	67 to * – DE, DE4
7737W	ACORN NUT (Replaced by 7742)	
7742	LOCKNUT, 1/4-20 (4).....	71 to * – DE
53470-71	CARRIER, bag holder.....	67 to * – DE, DE4
53488-71	BAG HOLDER ASSEMBLY (cradle type).....	67 to * – DE, DE4
53498-71	SUPPORT BRACKET, bag holder (2).....	67 to * – DE, DE4

NOTE: Asterisk (*) indicates part is used for latest model year shown on cover.

PART
NO.

N A M E

U S E D O N

SEATS – PAGE 33

4017	BOLT, handrail, 5/16-18 x 1 hex. hd. (6)	72 to * – DE, DE4
6266	WASHER, seat mounting, 5/16 x 7/8 x 1/8 (rubber) (8)	Late 72 to * – DE, DE4
6332B	WASHER, seat back, 5/16 x 15/16 x 1/16 (8)	72 to * – DE, DE4
6341B	WASHER, handrail, 5/16 x 1-1/8 x 1/16 (6)	72 to * – DE, DE4
6702	WASHER, seat cushion to body, 5/16 x 11/16 x 1/16 (4)	73 to * – DE, DE4
7041	LOCKWASHER, handrail, 5/16 (6)	72 to * – DE, DE4
7748W	NUT, seat back pad, 5/16-18 (4)	72 to * – DE, DE4
7753	NUT, seat cushion to body, 5/16-24 (8)	72 to * – DE, DE4
8206W	RIVNUT, handrail (6)	72 to * – DE, DE4
52049-72	SEAT BACK PAD (white)	72 & 73 – DE, DE4
52049-74	SEAT BACK PAD	74 to * – DE, DE4
52051-72	SEAT CUSHION (white)	72 & 73 – DE, DE4
52051-74	SEAT CUSHION	74 to * – DE, DE4
52058-72	SEAT CUSHION, seat brake (white)	72 & 73 – DE, DE4
52058-74	SEAT CUSHION, seat brake	74 to * – DE, DE4
52082-72	STUD, seat back pad (4)	72 to * – DE, DE4
52088-72	SEAT FRAME	72 to * – DE, DE4
52107-72	STUD, seat mounting (8)	72 to * – DE, DE4
52134-72	SEAT CUSHION COVER	72 to * – DE, DE4
52135-72	BACK PAD COVER	72 to * – DE, DE4
52630-72	HANDRAIL, left	72 to * – DE, DE4
52631-72	HANDRAIL, right	72 to * – DE, DE4

AUXILIARY SEATS – MODEL DEF – PAGE 37

7689W	NUT, 1/4-20 x 7/16 x 1/4 hex. (2)	65 – DEF
44912-63A	CARRIAGE BOLT, footboard, 5/16-18 x 1-1/8 (6)	65 – DEF

BODY – DE, DEF, DE4 – PAGE 39

6182W	WASHER (Replaced by 6187W)	
6187W	WASHER, No. 10 x 9/16 x 1/16 (18)	69 to * – DE, DE4
6257W	WASHER, body trim, 9/32 x 1-3/8 x 1/16 (8)	74 to * – DE, DE4
7686	LOCKNUT, body trim, 1/4-20 (8)	74 to * – DE, DE4
50252-69A	BODY TRIM, right	69 to 73 – DE, DE4
50252-74	BODY TRIM (2)	74 to * – DE, DE4
50254-69A	BODY TRIM, left	69 to 73 – DE, DE4
50263-74	GOLF CAR BODY	74 to * – DE, DE4
50264-67D	GOLF CAR BODY	67 to * – DE, DE4
50270-74	BODY REINFORCEMENT, rear	74 to * – DE, DE4
50280-63A	GOLF CAR CANVAS COVER (for cars with tiller)	63 to * – DE
50281-67	GOLF CAR CANVAS COVER (for cars with steering wheel)	Late 67 to * – DE
52057-72	BODY LATCH ASSEMBLY	73 to * – DE, DE4
	Consists of:	
559	COTTER PIN, body latch spring collar, 1/8 x 1-1/4	
41049-70	SPRING, body latch	
52042-72	LEVER, body latch	
52052-72	COLLAR, body latch spring	
52059-72	SUPPORT, body latch	
59598-69	SPLASH GUARD (2 – 1972 & later)	69 to * – DE, DE4
59794-69	BRACKET, splash guard (2 – 1972 & later)	69 to * – DE, DE4

STAKE BODY AND CARGO BOX – PAGE 43

7689W	NUT, 1/4-20 x 7/16 x 1/4 hex. (17)	65 to 70 – DEC
50261-65	TAIL GATE, cargo box	65 to 68 – DEC
50261-70	TAIL GATE (Replaced by 50261-65)	
50266-69	TAIL GATE, cargo box	69 & 70 – DEC
50266-70	TAIL GATE (Replaced by 50266-69)	

NOTE: Asterisk (*) indicates part is used for latest model year shown on cover.

INDEX NO.	PART NO.	NAME	USED ON
-----------	----------	------	---------

WINDSHIELD - NEW STYLE

NOTE: This new style windshield can only be used when new style sun top is installed.

1	2612	SCREW, windshield storage clip, No. 8-32 x 1/2 Pozidriv pan hd. (2)	74 to * - DE, DE4
2	4036	BOLT, garment box, 5/16-24 x 1-1/2 hex. hd. (2)	74 to * - DE
3	5965B	SPACER, pivot bushing (2)	74 to * - DE, DE4
4	6150W	WASHER, garment box rivet, No. 10 x 3/8 x 1/16 (6)	74 to * - DE
5	6266	WASHER, garment box - outer, 5/16 x 7/8 x 1/8 rubber (2)	74 to * - DE
6	7015	LOCKWASHER, windshield storage clip, No. 8 (2)	74 to * - DE, DE4
7	7608	NUT, windshield storage clip, No. 8-32 x 1/8 x 5/16 hex. (2)	74 to * - DE, DE4
8	7725	LOCKNUT, 5/16-24 x 11/32 x 1/2 hex. (2)	74 to * - DE
9	8212	POP RIVET (8)	74 to * - DE, DE4
10	8528W	POP RIVET, garment box clip (3) retainer (2)	74 to * - DE, DE4
11	8685	POP RIVET, garment box (6)	74 to * - DE
12	40522-63	PIVOT BUSHING, windshield (2)	74 to * - DE, DE4
	58011-74	WINDSHIELD ASSEMBLY	74 to * - DE
13	58012-74	WINDSHIELD	74 to * - DE, DE4
	58013-74	WINDSHIELD ASSEMBLY	74 to * - DE4
14	58032-74	REINFORCEMENT, garment box - front (2)	74 to * - DE
15	58034-74	REINFORCEMENT	74 to * - DE, DE4
16	58044-74	RETAINER	74 to * - DE4
17	58054-74	STRIP, front	74 to * - DE, DE4
18	58059-74	BRACKET, upper left	74 to * - DE, DE4
19	58060-74	BRACKET, upper right	74 to * - DE, DE4
20	58103-74	GARMENT BOX ASSEMBLY	74 to * - DE
21	58105-74	CLIP, windshield storage (2)	74 to * - DE, DE4
22	58108-74	TAPE, windshield (2)	74 to * - DE, DE4
23	58174-74	TRIM STRIP, garment box	74 to * - DE
24	58175-73	CLIP, garment box (3)	73 to * - DE

BATTERIES - PAGE 51

66217-72	BRACKET, battery hold down	Late 71 to 74 - DE, DE4
66452-71	HOLD DOWN ROD (curved)	Late 71 to 74 - DE, DE4

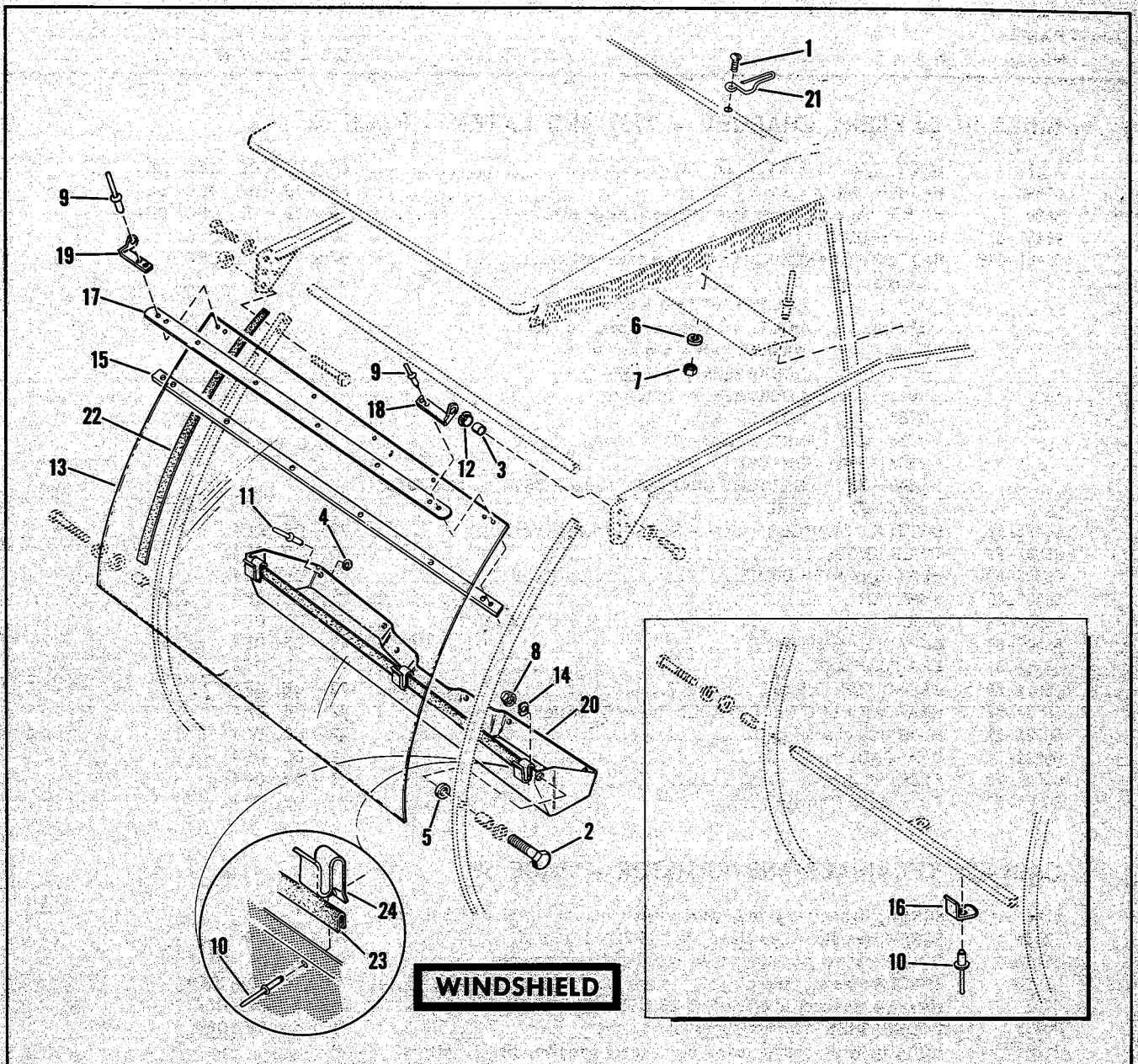
PORTABLE BATTERY CHARGER (HARLEY-DAVIDSON) - PAGE 53

66032-69	CHARGE PLUG RECEPTACLE (Replaced by 66069-72)	
66069-72	CHARGER PLUG RECEPTACLE (for D. C. cable)	69 to 71 - DE, DEC

PORTABLE BATTERY CHARGER (LESTER-MATIC) - PAGE 55

2807	SCREW, charger plug receptacle, No. 8-32 x 1-1/2 Pozidriv hd. (2)	72 to * - DE4
2808	SCREW, charger plug receptacle, No. 8-32 x 3/8 Pozidriv hd. (2)	72 to * - DE4
2811	SCREW, charger plug receptacle, No. 8-32 x 3/8 Pozidriv hd. (2)	73 to * - DE
2813	SCREW, charger plug receptacle, No. 8-32 x 1-1/2 Pozidriv hd. (2)	73 to * - DE
66032-69	CHARGER PLUG RECEPTACLE (Replaced by 66069-72)	
66036-72	CHARGER PLUG RECEPTACLE (for D. C. cable)	72 to * - DE4; 73 to * - DE
66043-72	SPEED NUT, charger plug receptacle (4)	72 to * - DE4; 73 to * - DE
66063-69B	D. C. CABLE AND PLUG, battery charger (two prong)	70 to * - DE, DEC, DE4
66069-72	CHARGER PLUG RECEPTACLE (for D. C. cable)	70 to 72 - DE
66070-72	SPRING CLIP, charger plug receptacle (2)	Late 72 to * - DE, DE4
66495-63	ADAPTER PLUG, charger A. C. cable (correction)	70 to * - DE, DEC, DE4
66525-72	BRACKET, charger plug receptacle (for D. C. cable)	72 to * - DE4
70406-72	WIRE, right solenoid (B) to charger plug (red)	72 to * - DE
70407-72	WIRE, left diode to charger plug (black)	72 to * - DE
70453-72	WIRE, right solenoid (B) to charger plug (red)	72 to * - DE4
70454-72	WIRE, left diode to charger plug (black)	72 to * - DE4

NOTE: Asterisk (*) indicates part is used for latest model year shown on cover.



PART NO.	NAME	USED ON
----------	------	---------

BUILT-IN BATTERY CHARGER – 1967 AND 1968 – PAGE 57

66491-67C	BATTERY CHARGER KIT, in-car (Lester-Matic).....	67 to 71 – DE, DEC
Consists of:		
3787	BOLT, 1/4-20 x 3/4 hex, hd. (4)	
3974HW	BOLT, 5/16-24 x 3/4 hex, hd. (2)	
6703	WASHER, 1/4 x 5/8 x 1/16 (4)	
7036	LOCKWASHER, 1/4 (4)	
7688	NUT, 1/4-20 (4)	
7753	NUT, 5/16 (2)	
66434-69A	BRACKET, front	
66491-72	BATTERY CHARGER, in-car – 36 V. (Lester-Matic)	
70367-71	WIRE	

NOTE: Asterisk (*) indicates part is used for latest model year shown on cover.

PART
NO.

NAME

USED ON

BUILT-IN BATTERY CHARGER - 1969 AND LATER - PAGE 58

3767B	BOLT, 1/4-20 x 5/8 hex. hd. (3) (correction).....	69 to 72 - DE, DEC, DE4
6189W	WASHER, No. 8 x 3/8 x 1/32 (6).....	69 to 72 - DE, DEC, DE4
8690	RIVET, battery charger door catch and hinge (8).....	70 to 72 - DE, DEC, DE4
66437-67	HEAT SHIELD, charger.....	69 to 71 - DE, DEC
66491-67C	BATTERY CHARGER KIT, in-car (Lester-Matic).....	67 to 71 - DE, DEC
	Consists of:	
	3787 BOLT, 1/4-20 x 3/4 hex. hd. (4)	
	3974HW BOLT, 5/16-24 x 3/4 hex. hd. (2)	
	6703 WASHER, 1/4 x 5/8 x 1/16 (4)	
	7036 LOCKWASHER, 1/4 (4)	
	7041 LOCKWASHER, 5/16 (2)	
	7688 NUT, 1/4-20 (4)	
	7753 NUT, 5/16-24 (2)	
	66434-69A BRACKET, front	
	66491-72 BATTERY CHARGER, in-car - 36 V. (Lester-Matic)	
	70367-71 WIRE	
66491-72	BATTERY CHARGER, in-car - 36 V. (Lester-Matic).....	72 - DE, DE4
66504-69	TIMER KNOB.....	72 - DE, DE4
66505-69	HEAT SINK WITH DIODE.....	72 - DE, DE4
66506-69	AMMETER.....	72 - DE, DE4
66507-69	TIMER.....	72 - DE, DE4
66509-69	CAPACITOR, 20.5 mfd.....	72 - DE, DE4
66512-69	TRANSFORMER.....	72 - DE, DE4
66514-69	CAPACITOR, 0.5 mfd.....	72 - DE, DE4
66520-72	CHARGER PLUG RECEPTACLE (for A. C. cable).....	72 - DE, DE4
66521-72	BUSHING, charger cord.....	72 - DE, DE4
66522-72	D.C. CABLE SET.....	72 - DE, DE4
66523-72	FUSE, 40 AMP.....	72 - DE, DE4
66524-72	FUSE RECEPTACLE.....	72 - DE, DE4

CABLES TERMINALS AND RESISTOR - PAGE 59

1183	SCREW, lighter red wire to battery positive, No. 10-31 x 5/16 fil. hd..	72 to * - DE
1202W	SCREW, resistor wires clamp, No. 10-32 x 1/2 rd. hd.	70 & 71 - DE
2871W	BOLT, resistor mounting, 5/16-18 x 1-1/4 hex. hd. (2).....	72 to * - DE, DE4
6397B	SPACER, resistor mounting (2).....	72 to 74 - DE, DE4
6702	WASHER, resistor to bracket, 5/16 x 11/16 x 1/16 (4).....	72 to * - DE, DE4
7041	LOCKWASHER, resistor, 5/16 (5).....	72 to * - DE, DE4
7118	LOCKWASHER, lighter red wire to battery positive, No. 10 internal tooth.....	72 to * - DE
7626W	LOCKNUT, resistor wires clamp screw, No. 10-32.....	70 & 71 - DE
7688	NUT, resistor mounting, 1/4-20 (2).....	72 to 74 - DE, DE4
7748W	NUT, resistor to bracket, 5/16-18 (2).....	72 to * - DE, DE4
8480	POP RIVET, resistor mounting.....	75 to * - DE, DE4
8685	POP RIVET, resistor insulator to mounting bracket (2).....	72 to * - DE, DE4
9857	WIRE TERMINAL, ring type - No. 10 hole - #16-22 wire.....	72 to * - DE, DE4
9909	WIRE TERMINAL, ring type - 3/16 dia. hole - #10 - 12 wire.....	72 to * - DE, DE4
9911	WIRE TERMINAL, ring type - 3/16 dia. hole - #8 wire.....	63 to * - DE, DEF, DEC, DE4
9914	TERMINAL, micro switch wires - female spade type - 1/4 slot (2)....	63 to * - DE, DEF, DEC
9916	WIRE TERMINAL (Replaced by 9918)	
9918	WIRE TERMINAL, ring type - 1/4 dia. hole - #14-16 wire.....	63 to * - DE, DEF, DEC, DE4
9922	WIRE TERMINAL, ring type - 1/4 dia. hole - #8 wire.....	63 to * - DE, DEF, DEC, DE4
9923	WIRE TERMINAL, ring type - 5/16 dia. hole - #8 wire.....	63 to * - DE, DEF, DEC, DE4
9925	WIRE TERMINAL, female flag type - 1/4 slot.....	66 to * - DE, DEC
9933	WIRE TERMINAL (Replaced by 9922)	
9936	WIRE TERMINAL (Replaced by 9923)	
10006	CABLE STRAP (black).....	63 to * - DE, DEF, DEC, DE4
10007	CABLE STRAP (white).....	72 to * - DE, DE4
31650-69A	GROUND STRAP, hinge bolt.....	66 to 70 - DEC
38712-68	CLAMP, resistor wires.....	70 & 71 - DE
70018-65A	GROUND STRAP (Replaced by 31650-69A)	
70066-63	CABLE (Replaced by 70096-63)	
70095-66	CABLE, speed switch to charger plug (correction).....	66 - DE
70118-69	MAIN WIRING HARNESS.....	69 & 70 - DEC

NOTE: Asterisk (*) indicates part is used for latest model year shown on cover.

CABLES, TERMINALS AND RESISTOR – PAGE 59 (CONT'D)

70193-63A	BATTERY CABLE – 17 in.	69 & 70 – DEC; Late 71 – DE
70193-72	CABLE, solenoid "C" to front battery negative	72 to 74 – DE, DE4
70198-71	BATTERY CONNECTOR CABLE	Late 71 to 74 – DE, DE4
70351-72	WIRE, resistor	72 to 74 – DE, DE4
70451-72	WIRE, solenoid "A" to speed switch #1 terminal	72 to * – DE, DE4
70455-72	MAIN WIRING HARNESS	72 to * – DE4
70457-72	WIRE, rear battery positive to right diode	72 to * – DE, DE4
70458-72	WIRE, solenoid "A" to speed switch #5 terminal	72 to * – DE, DE4
70459-67	WIRE, solenoids to motor terminals "A-1 & S-1" (2)	69 & 70 – DEC; 67 to 71 – DE
70459-71	CABLE, solenoids to motor terminals	Late 71 – DE
70463-71	WIRE, solenoid to right front battery pos. terminal	Late 71 – DE
70464-67A	CABLE, solenoid "C" to front battery negative	75 to * – DE, DE4
70464-72	WIRE, battery negative to left diode	72 to * – DE, DE4
70465-67	WIRE, solenoid to motor "A-2 & S-2" terminal (2)	69 & 70 – DEC; 67 to 71 – DE
	solenoid to motor terminals A1, A2, S1, S2, (4);	
	solenoid to resistor (2)	75 to * – DE, DE4
70467-71	CABLE, speed switch to solenoids	71 – DE
70468-72	MAIN WIRING HARNESS	72 to * – DE
70478-72	WIRE, solenoids "A" & "F" to motor terminals S1, S2 & A2 (3)	72 to 74 – DE, DE4
70551-69	CONDUIT, 1/8 I.D. x 10 ft. lg. black vinyl (hi-temp.)	63 to * – DE, DEC, DE4
70552-69	CONDUIT, 3/8 I.D. x 10 ft. lg. black vinyl	63 to * – DE, DEC, DE4
70553-69	CONDUIT, 7/16 I.D. x 10 ft. lg. black vinyl	63 to * – DE, DEC, DE4
70554-69	CONDUIT, 1/4 I.D. x 10 ft. lg. black vinyl	63 to * – DE, DEC, DE4
70555-69	CONDUIT, 1/4 I.D. x 10 ft. lg. black vinyl (hi-temp.)	63 to * – DE, DEC, DE4
70556-71	CONDUIT, 5/16 I.D. x 10 ft. lg. black vinyl	63 to * – DE, DEC, DE4
70558-71	CONDUIT, 1/2 I.D. x 10 ft. lg. black vinyl	63 to * – DE, DEC, DE4
70559-71	CONDUIT, 1/8 I.D. x 10 ft. lg. black vinyl	63 to * – DE, DEC, DE4
70596-72	RESISTOR	72 to * – DE, DE4
70597-72	INSULATOR, resistor mounting	72 to * – DE, DE4
70599-72	BRACKET, resistor mounting	72 to 74 – DE, DE4
72038-71	SOCKET, wire end	72 to * – DE, DE4
72039-71	PIN, wire end	72 to * – DE, DE4
72043-71	CONNECTOR, single pin	72 to * – DE, DE4
72044-71	CONNECTOR, single socket	72 to * – DE, DE4

SPEED SWITCH – PAGE 63

2668	SCREW, No. 10-24 x 9/16 Pozidriv hd. (2)	67 to * – DE; 69 & 70 – DEC
2679W	SCREW (Replaced by 2668)	
7036	LOCKWASHER, 1/4 (2 used 63 to 71)	63 to * – DE, DEF, DEC
70196-69	CABLE, speed switch to battery	72 to 74 – DE, DE4
70432-72	WIRE, micro switch to diode	72 to * – DE, DE4
71481-67A	SPEED CONTROL SWITCH (Replaced by 71481-72)	
71481-71	SPEED CONTROL SWITCH (Replaced by 71481-72)	
71481-72	SPEED CONTROL SWITCH, complete	69 & 70 – DEC; 67 to 74 – DE, DE4
71793-71	BEARING, speed control lever	Late 71 to * – DE, DE4
71853-63A	SPEED CONTROL LEVER, with bearing	63 to * – DE, DEF, DEC, DE4
72030-47	CLIP, switch lever block	75 to * – DE, DE4

SWITCHES – PAGE 65

2808	SCREW, ignition switch terminal, No. 8-32 x 3/8 Pozidriv hd. (3)	72 to * – DE4; 73 to * – DE
6270	WASHER, key switch, 3/4 x 1 x 1/32	Late 73 – DE; Late 73 to * – DE4
7115	LOCKWASHER, ignition switch terminal, No. 8 internal tooth (3)	72 to * – DE4; 73 to * – DE
7144	LOCKWASHER, ignition switch, 3/4 external tooth	72 & 73 – DE, DE4
50219-73	CAUTION LABEL, key switch	Late 73 to * – DE, DE4
71023-65	PLATE, key switch – 23/32 hole x 2 rd.	65 to Early 72 – DE, DEF, DEC; 74 to * – DE
		(Above Serial No. 65DE-1373)
71491-66A	GROUND STRAP, key switch	66 to * – DE, DEC

NOTE: Asterisk (*) indicates part is used for latest model year shown on cover.

SWITCHES – PAGE 65 (CONT'D)

71496-65	KEY SWITCH, with keys – 5/8-32 threads (with spring loaded reverse position).....	65 to 72 – DE, DEF, DEC; 74 to * – DE
71524-59A	KNURLED NUT, key switch.....	72 to * – DE4; 73 to * – DE
71532-72	SET OF SWITCH KEYS.....	72 to * – DE4; 73 to * – DE
71543-72	DECAL, key switch – 13/16 hole x 2-1/4 rd. (used w/o seat brake)...	Late 72 to 73 – DE; Late 72 to * – DE4
71495-72	KEY SWITCH, with keys – 3/4-20 threads (w/o spring loaded reverse position).....	72 to * – DE4; 73 – DE

SOLENOIDS – 1963 TO 1966 – DE, DEF 1965 TO 1968 – DEC – PAGE 67

71470-63D	SOLENOID SWITCH (6).....	63 to 66 – DE; 65 to 68 – DEC
-----------	--------------------------	-------------------------------

SOLENOIDS – 1969 AND 1970 – DEC 1967 TO 1971 – DE – PAGE 69

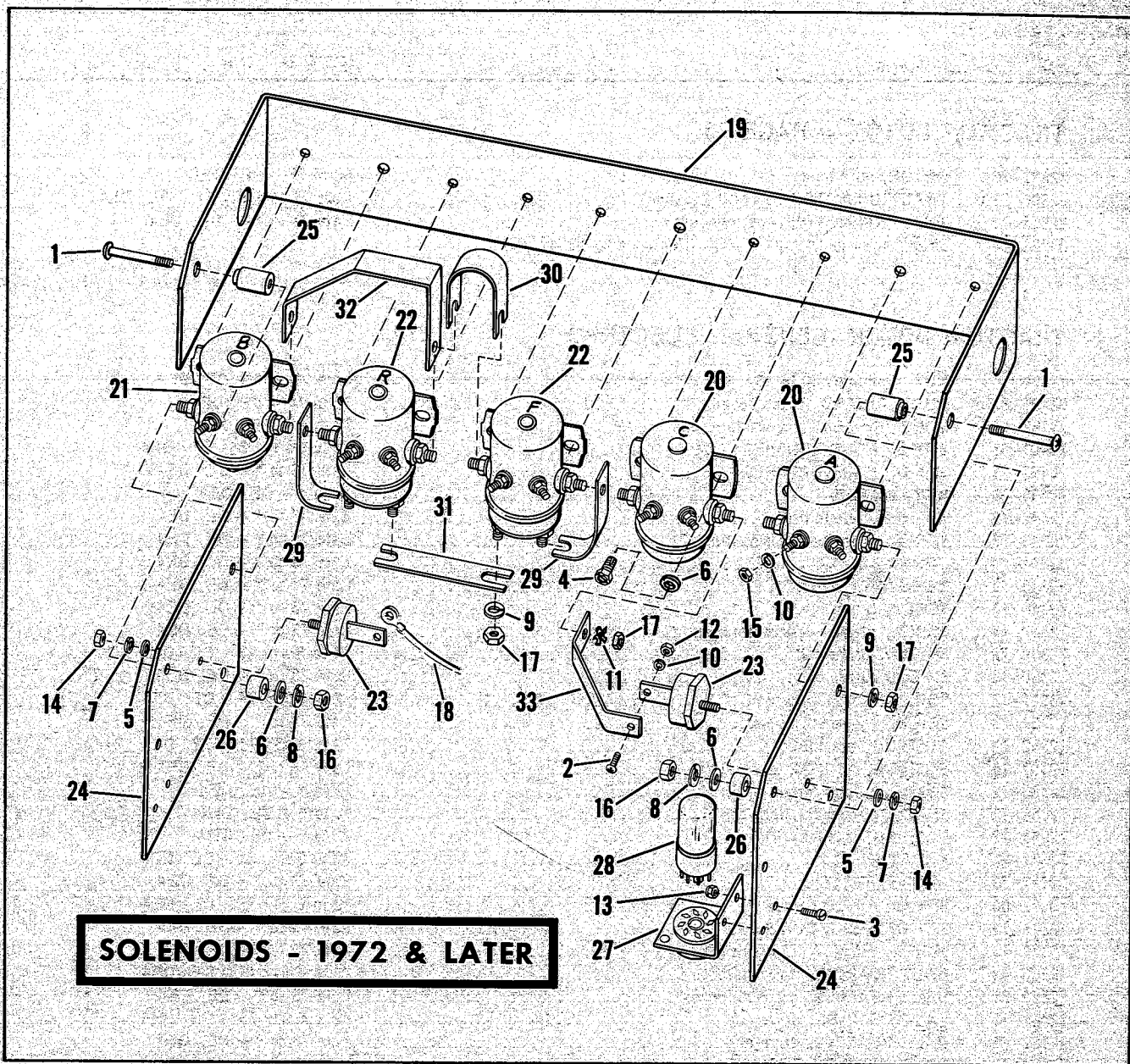
NOTE: In illustration on page 68, item 32 should be 33 and item 33 should be 32.

7689W	NUT, 1/4-20 x 1/4 x 7/16 hex.....	69 & 70 – DEC; 67 to 71 – DE
71019-71	COVER, solenoid switches.....	Late 71 – DE
71030-71	TRANSFER, solenoid cover (check chart).....	Late 71 – DE
71470-63D	SOLENOID SWITCH (12 V.) (four terminals) (2).....	69 & 70 – DEC; 67 to 71 – DE
71471-67A	SOLENOID SWITCH (6V.) (four terminals) (bottom row – center).....	69 & 70 – DEC; 67 to 71 – DE
71476-67A	SOLENOID SWITCH (6 V.) (six terminals) (2).....	69 & 70 – DEC; 67 to 71 – DE
74859-67A	HEAT SINK, solenoid diodes (2).....	69 & 70 – DEC; 67 to 71 – DE
74861-67A	FIBER SPACER, solenoid diode heat sink (long) (4).....	69 & 70 – DEC; 67 to 71 – DE
74862-67A	FIBER SPACER, solenoid diode heat sink (short) (4).....	69 & 70 – DEC; 67 to 71 – DE

SOLENOIDS – 1972 AND LATER – DE, DE4

1	2599	SCREW, heat sink mounting, 1/4-20 x 1-11/16 Phillips hd. (2).....	72 to * – DE, DE4
2	2625	SCREW, diode terminal, No. 10-24 x 9/16 Pozidriv pan hd. (2).....	72 to * – DE, DE4
3	2808	SCREW, time delay tube socket, No. 8-32 x 1/4 (2).....	72 to * – DE, DE4
4	3204W	SCREW, solenoid mounting, 1/4-20 x 5/8 self tapping hex. slot hd. w/external tooth lockwasher (10).....	72 to * – DE, DE4
5	6182W	WASHER, No. 10 x 7/16 x 1/32 (2).....	72 to * – DE, DE4
6	6703	WASHER, heat sink & solenoid mounting, 1/4 x 1/2 x 1/16 (9).....	72 to * – DE, DE4
	7015	LOCKWASHER, diode terminals.....	74 to * – DE, DE4
7	7021	LOCKWASHER, No. 10 (2).....	72 to * – DE, DE4
8	7036	LOCKWASHER, heat sink mounting, 1/4 (2).....	72 to * – DE, DE4
9	7041	LOCKWASHER, solenoid terminal, 5/16 (14).....	72 to * – DE, DE4
10	7069	LOCKWASHER, diode terminals & solenoid terminals, No. 10 (12).....	72 to * – DE, DE4
11	7127	LOCKWASHER, solenoid "C" left terminal, 5/16 internal tooth.....	72 to * – DE, DE4
12	7608	NUT, diode terminal, No. 10-24 (2).....	72 to * – DE, DE4
13	7609W	LOCKNUT, time delay tube socket, No. 8-32 (2).....	72 to * – DE, DE4
14	7630	NUT, No. 10-32 x 3/16 x 3/8 (2).....	72 to * – DE, DE4
15	7638	NUT, solenoid terminal, No. 10-32 (20).....	72 to * – DE, DE4
16	7688	NUT, heat sink mounting, 1/4-20 (2).....	72 to * – DE, DE4
17	7753	NUT, solenoid terminals, 5/16-24 (28).....	72 to * – DE, DE4
18	70433-72	WIRE, right diode to left solenoid.....	72 to * – DE, DE4
19	71021-72	PLATE, solenoid mounting.....	72 to * – DE, DE4
	71030-72	TRANSFER (check chart).....	72 to 74 – DE, DE4
	71030-74	TRANSFER (check chart).....	75 to * – DE, DE4
20	71470-63D	SOLENOID, 12 V. (four terminals) (2).....	72 to * – DE, DE4
21	71471-67A	SOLENOID, 6 V. (four terminals).....	72 to * – DE, DE4
22	71476-67A	SOLENOID, 6 V. (six terminals) (2).....	72 to * – DE, DE4
23	74857-67	DIODE (2).....	72 to * – DE, DE4
24	74859-67A	HEAT SINK, diode (2).....	72 to * – DE, DE4
25	74861-67A	FIBER SPACER, heat sink mounting – long (2).....	72 to * – DE, DE4

NOTE: Asterisk (*) indicates part is used for latest model year shown on cover.



INDEX NO.	PART NO.	NAME	USED ON
-----------	----------	------	---------

SOLENOIDS - 1972 AND LATER - DE, DE4 (CONT'D)

26	74862-67A	FIBER SPACER, heat sink mounting - short (2)	72 to * - DE, DE4
27	74873-72	SOCKET ASSEMBLY, time delay tube - w/3 wires	72 to * - DE, DE4
28	74875-67	TUBE, time delay control	72 to * - DE, DE4
29	74893-67	SOLENOID CONNECTOR BAR, right angle (2)	72 to * - DE, DE4
30	74894-63A	SOLENOID CONNECTOR BAR, curved	72 to * - DE, DE4
31	74895-63	SOLENOID CONNECTOR BAR, straight	72 to * - DE, DE4
32	74898-72	SOLENOID CONNECTOR BAR	72 to * - DE, DE4
33	74899-72	SOLENOID CONNECTOR BAR, solenoid to left diode	72 to * - DE, DE4

NOTE: Asterisk (*) indicates part is used for latest model year shown on cover.

PART
NO.

N A M E

U S E D O N

TRACTION MOTOR - PAGE 75

72371-66A	ROTOR, with gear	66 to 71 - DE, DEC
82809-71A	TRACTION MOTOR (General Electric).....	Late 71 to Early 74 - DE, DE4
82813-71	TRACTION MOTOR (Westinghouse)	Late 71 to 74 - DE, DE4
83081-66	SHIM, motor mounting - .005" (Replaced by 83080-66)	

TRACTION MOTOR (GENERAL ELECTRIC)

7748W	NUT, terminal, 5/16-18 x 1/4 x 1/2 hex. (8)	Late 73 to * - DE, DE4
31496-67	RUBBER BAND, brush cover	72 to 74 - DE, DE4
47749-67A	MOISTURE SEAL, commutator end	72 to * - DE, DE4
70491-63	SET OF FOUR BRUSHES	72 to Early 73 - DE, DE4
70491-73	SET OF FOUR BRUSHES	Late 73 to * - DE, DE4
70498-63	KEY, armature	72 to * - DE, DE4
72342-73	WASHER, terminal (2)	Late 73 to * - DE, DE4
72343-73	SCREW, brush holder mounting (2).....	Late 73 to * - DE, DE4
72344-73	TERMINAL, A2	Late 73 to * - DE, DE4
72345-73	TERMINAL, A1	Late 73 to * - DE, DE4
72346-73	SCREW, brush (4)	Late 73 to * - DE, DE4
72347-73	SCREW, clamp - commutator end (2).....	Late 73 to * - DE, DE4
72350-72	SHIELD, drive end	72 to Early 73 - DE, DE4
72350-73	SHIELD, drive end	Late 73 to * - DE, DE4
72351-72	SHIELD, commutator end	72 to Early 73 - DE, DE4
72351-73	SHIELD, commutator end	Late 73 to * - DE, DE4
72352-72	BUSHING, terminal (2).....	72 to Early 73 - DE, DE4
72352-73	BUSHING, A1 & A2 terminals (2).....	Late 73 to * - DE, DE4
72353-72	SPACER, outer terminal (6)	72 to * - DE, DE4
72354-72	SPACER, inner terminal (2)	72 to * - DE, DE4
72355-72	BUSHING, terminal (2).....	72 to * - DE, DE4
72371-72	ARMATURE	72 to Early 73 - DE, DE4
72371-73	ARMATURE	Late 73 to * - DE, DE4
72373-66	SET OF FIELD COILS	72 to Early 73 - DE, DE4
72373-73	SET OF FIELD COILS	Late 73 to * - DE, DE4
72379-73	SCREW, clamp - drive end (2).....	Late 73 to * - DE, DE4
72380-72	BALL BEARING, commutator end	72 to Early 73 - DE, DE4
72380-73	BALL BEARING, commutator end	Late 73 to * - DE, DE4
72381-72	BALL BEARING, drive end	72 to Early 73 - DE, DE4
72381-73	BALL BEARING, drive end	Late 73 to * - DE, DE4
72382-66	BRUSH MOUNTING PLATE, with springs	72 to Early 73 - DE, DE4
72383-66	BRUSH SPRING (4).....	72 to Early 73 - DE, DE4
72383-73	BRUSH SPRING (4).....	Late 73 to * - DE, DE4
72386-66	BRUSH COVER	72 to Early 73 - DE, DE4
72386-73	BRUSH COVER (4).....	Late 73 to * - DE, DE4
72389-66	SPRING WASHER (6)	72 to * - DE, DE4
72390-66	SHIM WASHER (3)	72 to * - DE, DE4
72390-72	SHIM WASHER	72 to * - DE, DE4

NOTE: Asterisk (*) indicates part is used for latest model year shown on cover.

PART
NO.

NAME

USED ON

TRACTION MOTOR (WESTINGHOUSE)

1240W	SCREW, brush inspection cover, No. 10-32 x 1-1/2 rd. hd.	72 to * - DE, DE4
3787	BOLT, pole shoe, 1/4-20 x 3/4 hex. hd. (8)	72 to * - DE, DE4
7015	LOCKWASHER, brush mounting plate screw, No. 8.	72 to * - DE, DE4
7069	LOCKWASHER, brush inspection cover No. 10 x 5/16 x 1/32	72 to * - DE, DE4
7638	NUT, brush inspection cover, No. 10-32 x 1/8 x 3/8 hex.	72 to * - DE, DE4
72356-72	INSULATING TUBE, thru-bolt (2)	72 to * - DE, DE4
72358-72	COVER, drive end	72 to * - DE, DE4
72359-72	BRUSH MOUNTING PLATE	72 to * - DE, DE4
72360-72	KEY, commutator and drive end (2)	72 to * - DE, DE4
72361-72	BALL BEARING, commutator end	72 to * - DE, DE4
72362-72	BALL BEARING, drive end	72 to * - DE, DE4
72363-72	BRUSH LEAD, 10-1/2 in. lg.	72 to * - DE, DE4
72364-72	BRUSH LEAD, 9 in. lg.	72 to * - DE, DE4
72365-72	SPRING WASHER, commutator end bearing	72 to * - DE, DE4
72366-72	BRUSH INSPECTION COVER	72 to * - DE, DE4
72367-72	SET OF FOUR BRUSHES	72 to * - DE, DE4
72368-72	SET OF FIELD COILS	72 to * - DE, DE4
72369-72	TERMINAL KIT (4)	72 to * - DE, DE4
72375-72	THRU-BOLT (2)	72 to * - DE, DE4
72376-72	ARMATURE, with keys	72 to * - DE, DE4
72377-72	SCREW, brush mounting plate (4)	72 to * - DE, DE4
72384-66	SCREW, brush lead (4)	72 to * - DE, DE4

REAR AXLE AND DIFFERENTIAL - 1972 & EARLIER - PAGE 77

NOTE: In illustration on page 76, pinion bearing cone #35 should be 36 and pinion bearing cup #29 should be 30.

3240	SCREW, motor coupling, 1/4-20 x 1/2 socket hd.	Late 71 to 72 - DE, DE4
4085B	BOLT, motor and differential coupling housing, 3/8-16 x 7/8 hex. hd. (8)	Late 71 to 72 - DE, DE4
11038	RETAINING RING, motor coupling	Late 72 - DE, DE4
41046-71A	COUPLING, motor	Late 71 to 72 - DE, DE4
45595-63	CONE WITH ROLLERS, differential bearing (2)	63 to 72 - DE, DEF, DEC, DE4
82802-71	HOUSING, motor and differential coupling	Late 71 to 72 - DE, DE4
82805-67A	REAR AXLE ASSEMBLY, complete - less axle end oil seals	Late 71 to 72 - DE, DE4
82817-71	COUPLING, differential	Late 71 to 72 - DE, DE4
82821-68	AXLE HOUSING COVER, with plug (Replaced by 83042-67)	
82823-67	BREATHER VALVE, axle housing	67 to 72 - DE, DEC, DE4
82824-71	RETAINER, pinion nut	Late 71 to 72 - DE, DE4
82872-63A	AXLE SHAFT, right, 16-7/8" - with seal	63 to Early 71 - DE, DEF, DEC
82872-67A	AXLE SHAFT, right, 13-5/32" - with seal	Late 71 to 72 - DE, DE4
82874-63A	AXLE SHAFT, left, 18-7/16" - with seal	63 to Early 71 - DE, DEF, DEC
82874-67A	AXLE SHAFT, left, 22-5/32 - with seal	Late 71 to 72 - DE, DE4
82948-67	MATCHED PINION AND GEAR, with nut - 49-4 teeth	Late 71 - 72 - DE
82949-63	MATCHED PINION AND GEAR, with nut - 36 - 6 teeth	63 to 65 - DE, DEF, DEC
83042-67	AXLE HOUSING COVER, with filler plug	68 to 72 - DE, DEC, DE4
83099-63A	SHIM, differential bearing - .030"	63 to 72 - DE, DEF, DEC
83111-63	CONE WITH ROLLERS (Replaced by 45595-63)	
83112-63A	ROLLER BEARING, pinion (2)	63 to 65 - DE, DEF, DEC; 72 - DE
83133-63A	WASHER, pinion nut	63 to 65 - DE, DEF, DEC; 72 - DE
83134-63A	OIL SLINGER, pinion	63 to 65 - DE, DEF, DEC; 72 - DE
83163-63A	OIL SEAL, axle tube (2)	63 to 72 - DE, DEF, DEC, DE4

NOTE: Asterisk (*) indicates part is used for latest model year shown on cover.

PART
NO.

NAME

USED ON

REAR AXLE AND DIFFERENTIAL - 1973 & LATER

559	COTTER PIN, 1/8 x 1-1/4 (3)	73 to * - DE, DE4
3240	SCREW, motor coupling, 1/4-20 x 1/2 socket hd.	73 to * - DE, DE4
4085B	BOLT, motor and differential coupling housing, 3/8-16 x 7/8 hex. hd. (8)	73 to * - DE, DE4
11038	RETAINING RING, motor coupling	73 & 74 - DE, DE4
11079	RETAINER, pinion nut	Late 73 to 74 - DE, DE4
12041	SEAL, motor and differential coupling	75 to * - DE, DE4
41046-71A	COUPLING, motor	73 & 74 - DE, DE4
45595-63	CONE WITH ROLLERS, differential bearing (2)	73 to * - DE, DE4
82802-71	HOUSING, motor and differential coupling	73 & 74 - DE, DE4
82805-73	REAR AXLE ASSEMBLY, complete	73 & 74 - DE, DE4
82805-74	REAR AXLE ASSEMBLY, complete	75 to * - DE, DE4
82817-71	COUPLING, differential	73 & 74 - DE, DE4
82823-67	BREATHER VALVE, axle housing	73 to * - DE, DE4
82824-71	RETAINER, pinion nut	Early 73 - DE, DE4
82844-63A	ROLLER BEARING, differential (2)	73 to * - DE, DE4
82876-73	AXLE SHAFT, right	73 to * - DE, DE4
82878-73	AXLE SHAFT, left	73 to * - DE, DE4
82948-73	MATCHED PINION AND GEAR	73 & 74 - DE, DE4
82948-74	MATCHED PINION AND GEAR	75 to * - DE, DE4
82953-74	CUP, pinion nut	75 to * - DE, DE4
83032-73	SHIM, pinion bearing - front - .003"	73 to * - DE, DE4
83033-73	SHIM, pinion bearing - front - .005"	73 to * - DE, DE4
83034-73	SHIM, pinion bearing - front - .010"	73 to * - DE, DE4
83035-73	SHIM, pinion bearing - front - .030"	73 to * - DE, DE4
83039-73	PLUG, drain	73 to * - DE, DE4
83041-73	PLUG, axle housing cover	73 to * - DE, DE4
83042-73	COVER, axle housing	73 to * - DE, DE4
83043-73	GASKET, axle end bearing retainer (4)	73 to * - DE, DE4
83051-73	OIL SEAL, pinion	73 to * - DE, DE4
83053-63A	SPACER, pinion bearings	73 to * - DE, DE4
83072-73	SHIM, pinion bearing - rear .003"	73 to * - DE, DE4
83073-73	SHIM, pinion bearing - rear - .005"	73 to * - DE, DE4
83074-73	SHIM, pinion bearing - rear - .010"	73 to * - DE, DE4
83084-73	HUB, rear wheel (2)	73 to * - DE, DE4
83085-73	STUD, wheel hub (8)	73 to * - DE, DE4
83087-73	FELT SEAL, wheel hub (2)	73 to * - DE, DE4
83096-63A	SHIM, differential bearing - .003"	73 to * - DE, DE4
83097-63A	SHIM, differential bearing - .005"	73 to * - DE, DE4
83098-63A	SHIM, differential bearing - .010"	73 to * - DE, DE4
83099-63A	SHIM, differential bearing - .030"	73 to * - DE, DE4
83100-73	ROLLER BEARING, wheel hub (2)	73 to * - DE, DE4
83103-73	LOCK PIN, pinion mate shaft	73 to * - DE, DE4
83104-73	SHAFT, pinion mate	73 to * - DE, DE4
83106-63A	BOLT, drive gear (10)	73 to * - DE, DE4
83108-63	NUT, pinion	73 & 74 - DE, DE4
83108-74	NUT, pinion	75 to * - DE, DE4
83112-63A	ROLLER BEARING, pinion (2)	73 to * - DE, DE4
83113-73	GASKET, axle housing cover	73 to * - DE, DE4
83115-73	BOLT, axle housing cover (9)	73 to * - DE, DE4
83119-73	BOLT, wheel hub bearing retainer (8)	73 to * - DE, DE4
83125-73	DIFFERENTIAL CASE ASSEMBLY	73 to * - DE, DE4
83126-73	DUST SHIELD, wheel hub bearing (2)	73 to * - DE, DE4
83131-63	NUT, axle shaft (2)	73 to * - DE, DE4
83132-63A	YOKE, pinion	73 to * - DE, DE4
83133-63A	WASHER, pinion nut	73 to * - DE, DE4
83134-63A	OIL SLINGER, pinion	73 to * - DE, DE4
83163-63A	OIL SEAL, axle tube (2)	73 to * - DE, DE4
83165-73	RETAINER, wheel hub bearing (2)	73 to * - DE, DE4

NOTE: Asterisk (*) indicates part is used for latest model year shown on cover.

PART
NO.

N A M E

USED ON

OLD STYLE SUN TOP – PAGE 79

2740	SCREW, 5/16-24 x 2 pan hd. (4)	63 to 73 – DE, DE4
2741	SCREW, 5/16-24 x 1-1/4 pan hd. (4)	63 to 73 – DE, DE4
2742W	SCREW (Replaced by 2740 or 2741)	

FRONT BUMPER, TOW BAR, MIRROR – PAGE 81

4716W	BOLT, front bumper mounting, 3/8-16 x 1-1/4 hex. hd. (4)	72 to * – DE4
6388W	WASHER (Replaced by 6701)	
6701	WASHER, 3/8 x 13/16 x 1/16 (4)	70 to * – DE, DEC, DE4
6701	WASHER, front bumper mounting, 3/8 x 13/16 x 1/16 (4)	72 to * – DE4
7038	LOCKWASHER, front bumper mounting, 3/8 (4)	72 to * – DE4
82004-72A	TOW BAR ASSEMBLY, complete	72 to * – DE4
82005-72A	TOW BAR, only (2)	75 to * – DE4
82007-74	BRACKET KIT, tow bar	74 to * – DE, DE4
	Includes:	
	3960W BOLT, 5/16-24 x 1 hex. hd. (3)	
	7729 LOCKNUT, 5/16-24 x 1/4 x 1/2 hex. (3)	
82009-70A	TOW BAR ASSEMBLY, complete	70 to * – DE
91057-74	TRIM, bumper	74 to * – DE4
91058-74	REINFORCEMENT, bumper	74 to * – DE4
91059-74	CENTER COVER, bumper	74 to * – DE4
91060-72	TUBE, front bumper insert (2)	72 & 73 – DE4
91062-72	FRONT BUMPER ASSEMBLY, complete	72 & 73 – DE4
91062-74	FRONT BUMPER, complete	74 to * – DE4
	Consists of:	
	4716W BOLT, 3/8-16 x 1-1/4 hex. hd. (2)	
	6701 WASHER, 3/8 x 13/16 x 1/16 (4)	
	6702 WASHER, 5/16 x 11/16 x 1/16 (6)	
	7038 LOCKWASHER, 3/8 (2)	
	7740 LOCKNUT, 5/16-18 x 1/4 x 1/2 hex. (6)	
	7778 LOCKNUT, 3/8-16 (2)	
	91057-74 TRIM, bumper	
	91058-74 REINFORCEMENT, bumper	
	91059-74 CENTER COVER, bumper	
	91064-74 BUMPER (2)	
	91065-74 BRACKET, bumper (2)	
91064-72	BUMPER, left	72 & 73 – DE4
91064-74	BUMPER (2)	74 to * – DE4
91065-74	BRACKET, bumper (2)	74 to * – DE4
91068-72	BUMPER, right	72 & 73 – DE4

NOTE: Asterisk (*) indicates part is used for latest model year shown on cover.

PART
NO.

N A M E

U S E D O N

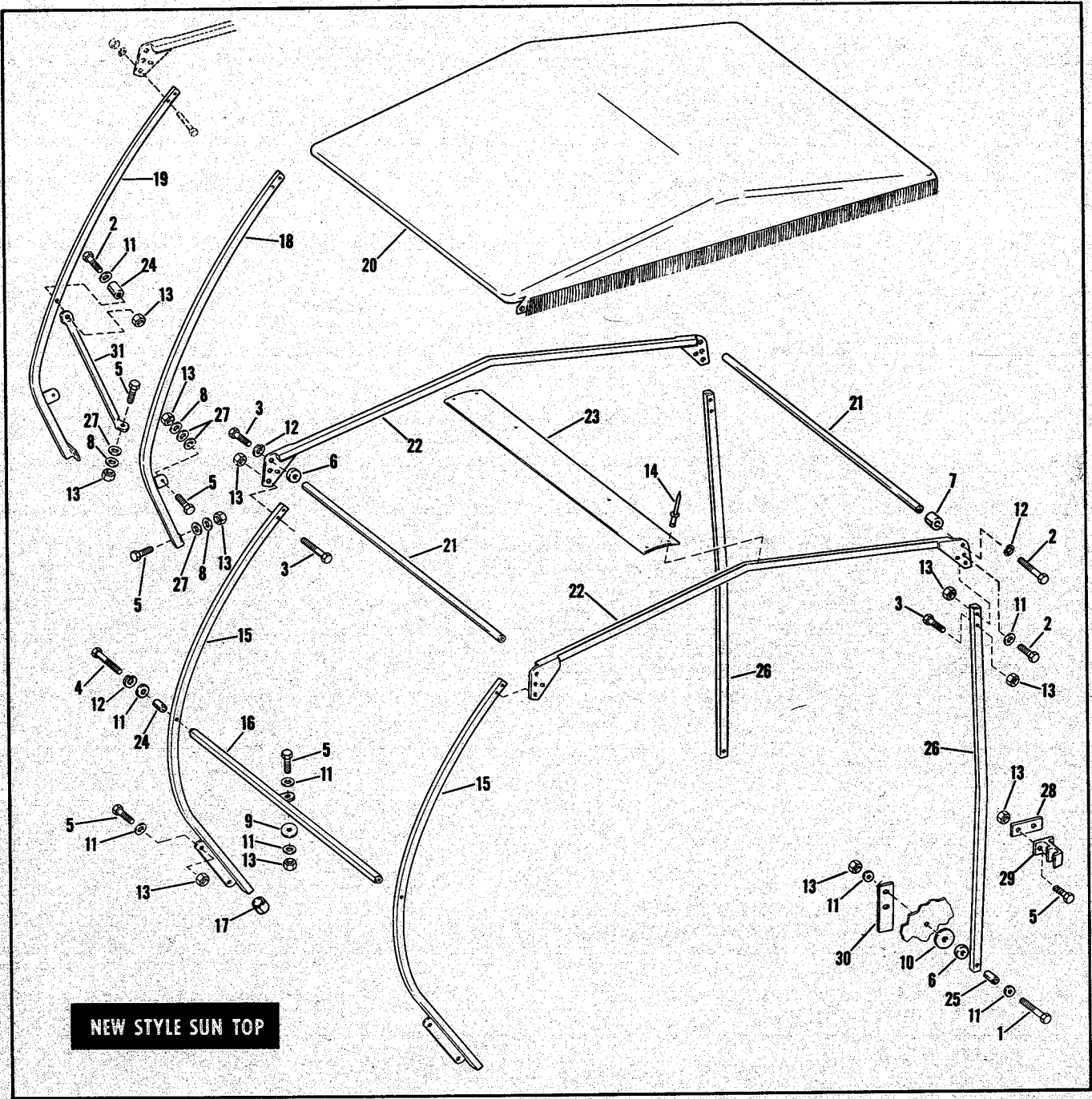
OLD STYLE SUN TOP - PAGE 79

2740	SCREW, 5/16-24 x 2 pan hd. (4)	63 to 73 - DE, DE4
2741	SCREW, 5/16-24 x 1-1/4 pan hd. (4)	63 to 73 - DE, DE4
2742W	SCREW (Replaced by 2740 or 2741)	

FRONT BUMPER, TOW BAR, MIRROR - PAGE 81

4716W	BOLT, front bumper mounting, 3/8-16 x 1-1/4 hex. hd. (4)	72 to * - DE4
6388W	WASHER (Replaced by 6701)	
6701	WASHER, 3/8 x 13/16 x 1/16 (4)	70 to * - DE, DEC, DE4
6701	WASHER, front bumper mounting, 3/8 x 13/16 x 1/16 (4)	72 to * - DE4
7038	LOCKWASHER, front bumper mounting, 3/8 (4)	72 to * - DE4
82004-72A	TOW BAR ASSEMBLY, complete	72 to * - DE4
82005-72A	TOW BAR, only (2)	75 to * - DE4
82007-74	BRACKET KIT, tow bar	74 to * - DE, DE4
	Includes:	
	3960W BOLT, 5/16-24 x 1 hex. hd. (3)	
	7729 LOCKNUT, 5/16-24 x 1/4 x 1/2 hex. (3)	
82009-70A	TOW BAR ASSEMBLY, complete	70 to * - DE
91057-74	TRIM, bumper	74 to * - DE4
91058-74	REINFORCEMENT, bumper	74 to * - DE4
91059-74	CENTER COVER, bumper	74 to * - DE4
91060-72	TUBE, front bumper insert (2)	72 & 73 - DE4
91062-72	FRONT BUMPER ASSEMBLY, complete	72 & 73 - DE4
91062-74	FRONT BUMPER, complete	74 to * - DE4
	Consists of:	
	4716W BOLT, 3/8-16 x 1-1/4 hex. hd. (2)	
	6701 WASHER, 3/8 x 13/16 x 1/16 (4)	
	6702 WASHER, 5/16 x 11/16 x 1/16 (6)	
	7038 LOCKWASHER, 3/8 (2)	
	7740 LOCKNUT, 5/16-18 x 1/4 x 1/2 hex. (6)	
	7778 LOCKNUT, 3/8-16 (2)	
	91057-74 TRIM, bumper	
	91058-74 REINFORCEMENT, bumper	
	91059-74 CENTER COVER, bumper	
	91064-74 BUMPER (2)	
	91065-74 BRACKET, bumper (2)	
91064-72	BUMPER, left	72 & 73 - DE4
91064-74	BUMPER (2)	74 to * - DE4
91065-74	BRACKET, bumper (2)	74 to * - DE4
91068-72	BUMPER, right	72 & 73 - DE4

NOTE: Asterisk (*) indicates part is used for latest model year shown on cover.



INDEX PART
NO. NO.

N A M E

USED ON

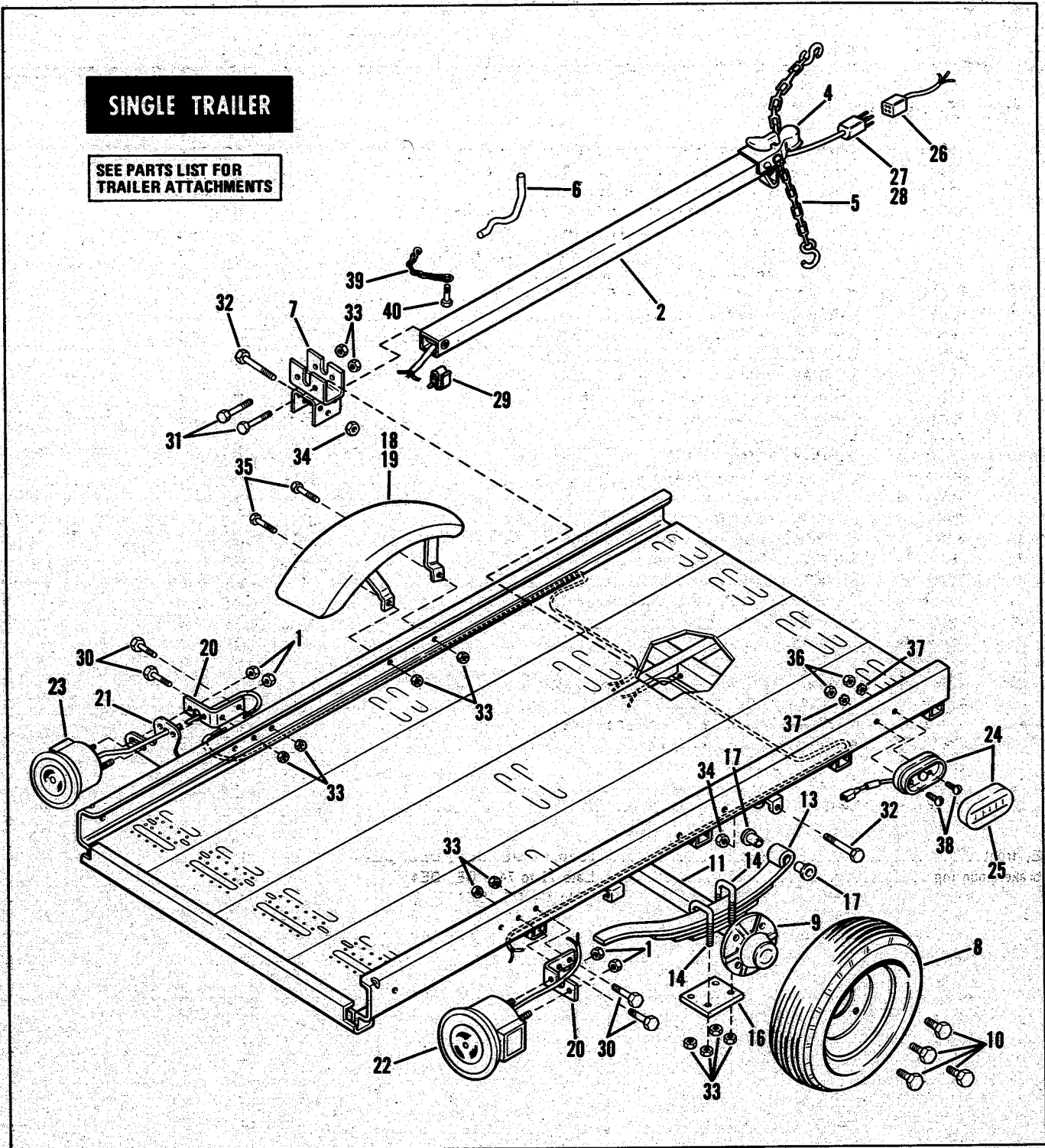
NEW STYLE SUN TOP

1	2667	BOLT, rear support tube - lower, 5/16-18 x 2 hex. hd. (2)	74 to * - DE, DE4
2	2818	BOLT, 5/16-18 x 1-1/2 hex. hd. (8 - DE) (6 - DE4)	74 to * - DE, DE4
3	2871W	BOLT, 5/16-18 x 1-1/4 hex. hd. (6)	74 to * - DE, DE4
4	2887W	BOLT, front lower crossover tube, 5/16-18 x 1-3/4 hex. hd. (2)	74 to * - DE4
5	3987	BOLT, 5/16-18 x 3/4 hex. hd. (10 - DE) (9 - DE4)	74 to * - DE, DE4
6	5919	SPACER, upper front crossover tube and rear support tube, 1/4" (4)	74 to * - DE, DE4
7	5947W	SPACER, crossover tube - upper rear, 9/16" (2)	74 to * - DE, DE4
8	6229W	WASHER, 5/16 x 1-1/16 x 1/16 (6)	74 to * - DE
9	6266	RUBBER WASHER	74 to * - DE4
10	6678W	WASHER, rear support tube - lower, 5/16 x 1-1/2 x 3/16 (2)	74 to * - DE, DE4
11	6702	WASHER, 5/16 x 11/16 x 1/16 (10 - DE) (16 - DE4)	74 to * - DE, DE4
12	7041	LOCKWASHER, 5/16 (4 - DE) (6 - DE4)	74 to * - DE, DE4
13	7740	LOCKNUT, 5/16-18 (22-DE) (19 - DE4)	74 to * - DE, DE4
14	8483	POP RIVET, ridgeplate (4)	74 to * - DE, DE4
	89440-74	SUN TOP, complete	72 to * - DE4
15	89441-74	SUPPORT TUBE, front (2)	74 to * - DE4
16	89444-74	CROSSOVER TUBE, lower front	74 to * - DE4
17	89447-74	CAP, front support tube (2)	74 to * - DE4
	89450-74	SUN TOP, complete	67 to * - DE
18	89451-74	SUPPORT TUBE, left front	74 to * - DE
19	89456-74	SUPPORT TUBE, right front	74 to * - DE
20	89457-74	COVER, sun top	74 to * - DE, DE4
21	89458-74	CROSSOVER TUBE, upper front & rear (2)	74 to * - DE, DE4
22	89461-74	SUPPORT TUBE, upper (2)	74 to * - DE, DE4
23	89464-74	RIDGEPLATE	74 to * - DE, DE4
24	89465-74	SPACER, front support tube, 7/8" (2)	74 to * - DE, DE4
25	89466-74	BUSHING, rear support tube pivot, 15/16" (2)	74 to * - DE, DE4
26	89467-74	SUPPORT TUBE, rear (2)	74 to * - DE, DE4
27	89470-74	RUBBER WASHER, front support tube (8)	74 to * - DE
28	89472-74	BACKING PLATE, rear guide (2)	74 to * - DE, DE4
29	89474-74	GUIDE, rear support tube (2)	74 to * - DE, DE4
30	89475-74	PLATE (2)	67 to 73 - DE, DE4
31	89476-74	BRACE, front support tube to housing (2)	74 to * - DE

NOTE: Asterisk (*) indicates part is used for latest model year shown on cover.

SINGLE TRAILER

SEE PARTS LIST FOR TRAILER ATTACHMENTS



PART NO.

NAME

USED ON

TRAILER ATTACHMENTS - DE

89003-72VA	TIE DOWN KIT, golf car trailer	72 to * - DE
89084-72	RAMP	72 to * - DE
89086-72	PAIR OF REAR TIE DOWNS	72 to * - DE
89089-72	FRONT TIE-DOWN	72 to * - DE
89107-72	TILT LATCH	72 to * - DE
89108-72	BOLT, tilt latch, 3/8 x 1 hex. hd.	72 to * - DE
89109-73V	STOP, front wheel	72 to * - DE4

INDEX PART
NO. NO.

N A M E

USED ON

TRAILER - PAGE 82

89000-63V GOLF CAR TRAILER (Replaced by 89001-72V)
89001-72V TRAILER (See next page for parts) 63 to * - DE

SINGLE TRAILER - DE

	559	COTTER PIN, axle nut, 1/8 x 1-1/4 lg. (2)	72 to * - DE
1	7686	LOCKNUT, 1/4-20 (4)	72 to * - DE
	43800-60	WHEEL BEARING (2)	72 to * - DE
	68165-64	BULB, tail and stop lamp (2)	72 to * - DE
	70576-68	WIRE CONNECTOR	72 to * - DE
	89001-72V	TRAILER	63 to * - DE
2	89004-72	TONGUE ASSEMBLY, single trailer	72 to * - DE
4	89006-72	COUPLER ASSEMBLY	72 to * - DE
5	89011-72	PAIR OF SAFETY CHAINS	72 to * - DE
6	89013-72	HANDLE, tilt latch	72 to * - DE
7	89015-72	PIVOT BRACKET, tongue	72 to * - DE
8	89016-72	WHEEL, with tire (2)	72 to * - DE
9	89017-72	WHEEL HUB (2)	72 to * - DE
	89025-72	GREASE SEAL, bearing (2)	72 to * - DE
	89026-72	GREASE CAP, wheel hub (2)	72 to * - DE
	89027-72	O-RING, grease seal (2)	72 to * - DE
	89028-72	NUT, axle (2)	72 to * - DE
10	89029-72	LUG BOLT, wheel (8)	72 to * - DE
11	89031-72	AXLE, single trailer	72 to * - DE
13	89035-72	LEAF SPRING ASSEMBLY (2)	72 to * - DE
14	89037-72	U-BOLT, leaf spring - single trailer (4)	72 to * - DE
16	89039-72	CLAMP PLATE, u-bolt (2)	72 to * - DE
17	89041-72	BUSHING, leaf spring (4)	72 to * - DE
18	89042-72	FENDER, right	72 to * - DE
19	89044-72	FENDER, left	72 to * - DE
20	89046-72	BRACKET, tail lamp (2)	72 to * - DE
21	89048-72	LICENSE PLATE BRACKET	72 to * - DE
22	89049-72	TAIL LAMP, right	72 to * - DE
23	89051-72	TAIL LAMP, left	72 to * - DE
	89053-72	LENS, tail lamp (2)	72 to * - DE
	89055-72	LENS, red side marker (2)	72 to * - DE
24	89056-72	AMBER LAMP ASSEMBLY (2)	72 to * - DE
25	89057-72	LENS, amber side marker (2)	72 to * - DE
	89059-72	BULB, side marker (4)	72 to * - DE
26	89061-72	CAR WIRING HARNESS	72 to * - DE
27	89063-72	TRAILER WIRING HARNESS	72 to * - DE
28	89064-72	CONNECTOR END, trailer wiring harness (repair only)	72 to * - DE
29	89065-72	CABLE CLIP	72 to * - DE
30	89069-72	BOLT, tail lamp bracket, 3/8 x 3/4 (4)	72 to * - DE
31	89071-72	BOLT, 3/8 x 3 (2)	72 to * - DE
32	89072-72	BOLT, 1/2 x 3-1/4 (3)	72 to * - DE
33	89073-72	LOCKNUT, 3/8 (18)	72 to * - DE
34	89075-72	LOCKNUT, 1/2 (3)	72 to * - DE
35	89077-72	BOLT, fender mounting 3/8 x 1-1/8 (4)	72 to * - DE
36	89078-72	NUT, amber light mounting (4)	72 to * - DE
37	89079-72	LOCKWASHER, amber lamp, No. 10 external tooth (4)	72 to * - DE
38	89081-72	SCREW, amber lamp, No. 10 x 5/8 (4)	72 to * - DE
	89083-72	PAIR OF SHOCK ABSORBERS	72 to * - DE
39	89107-72	SAFETY CHAIN, trailer bed	72 to * - DE
40	89108-72	BOLT, trailer bed safety chain, 3/8 x 1 hex. hd.	72 to * - DE

NOTE: Asterisk (*) indicates part is used for latest model year shown on cover.



AMF

Harley-Davidson

Milwaukee, Wisconsin 53201