

1970  
LAST YR  
DEC

**HARLEY-DAVIDSON**  
**PARTS CATALOG**

HARLEY-DAVIDSON MOTOR CO., Milwaukee, Wisconsin, U.S.A.

**1968**

*Electric Golf Car / Utilicar 1963 / to*

X

## GENERAL INFORMATION

This Spare Parts catalog has been prepared for your convenience when ordering parts for the Harley-Davidson ELECTRIC CAR. Wherever possible parts are shown in assembly breakdown sequence. Index numbers shown in the illustrations correspond to index numbers in parts lists. Consult the illustrations when ordering spare parts so you are sure to get just what you want.

Number in parenthesis following description of part is the quantity needed for complete assembly shown in illustration. If there is no number in parenthesis, only one is used.

Package quantities are also indicated in parenthesis for certain parts which are only supplied this way.

Prices of all parts and accessories listed in this catalog are published separately in the latest RETAIL PRICE LIST.

The following instructions should be followed very carefully when ordering spare parts:

- Specify the correct part number on each item. Check the "Used On" column of the parts list which shows the model on which the part fits. Whenever in doubt, refer to the serial number plate located on left side of frame cross-brace. The first four digits indicate the year and model – the same as shown in the "Used On" column in this catalog.
- Part Numbers are to be used when ordering by TELEGRAM or CABLE.
- When ordering parts use our standard parts order blanks. The use of these blanks will enable us to fill and ship your order more promptly. These blanks are furnished free of charge upon request.
- Do not order cars or advertising matter on Parts Order Blanks. Write nothing on the order blank except the order itself, as any other correspondence will not be answered until the order is shipped and billed.
- Freight, Express and Parcel Post orders should be on separate order blanks.
- For your own records, number and date all orders, also keep a carbon copy for reference in case of misunderstanding.

An alphabetical index at the beginning of this catalog and a numerical index at the end, will help to locate parts by name or part number.

COPYRIGHT 1967 BY HARLEY-DAVIDSON MOTOR CO. ALL RIGHTS RESERVED.

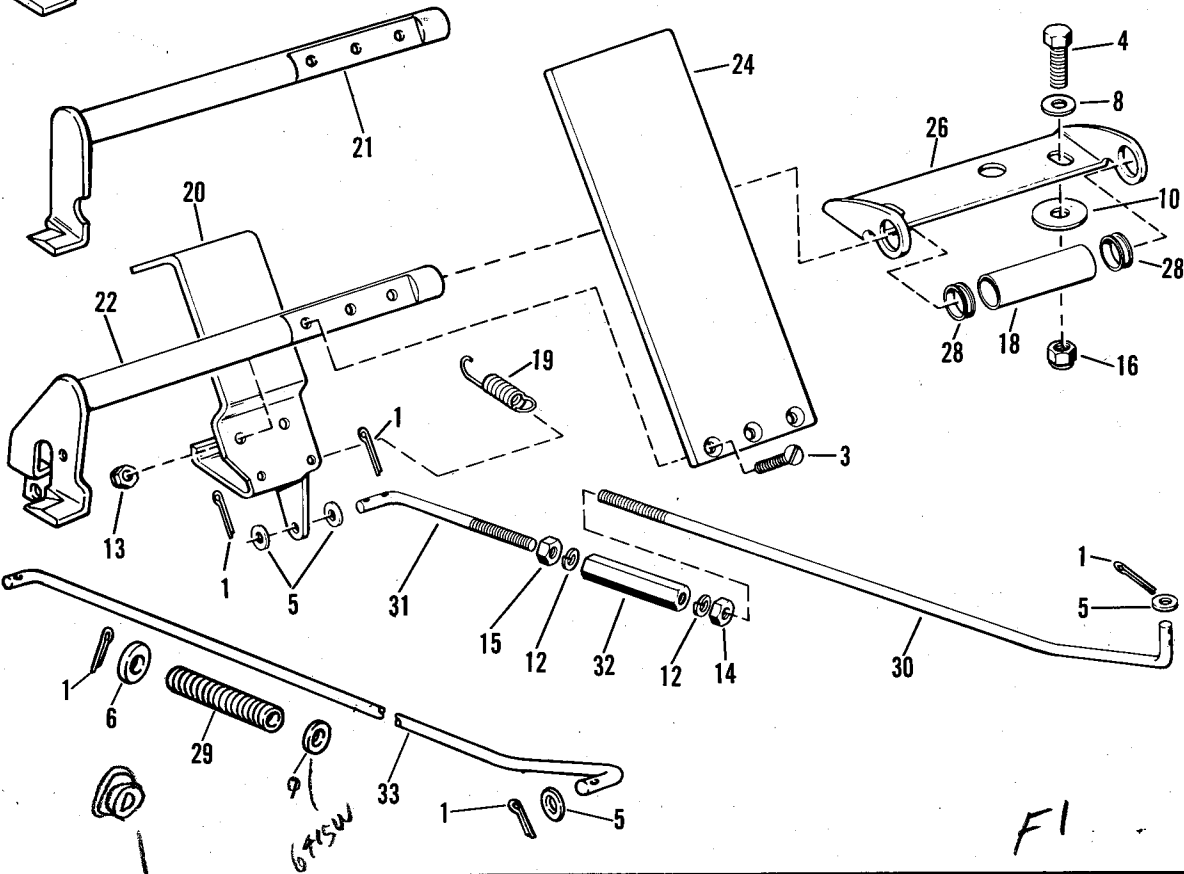
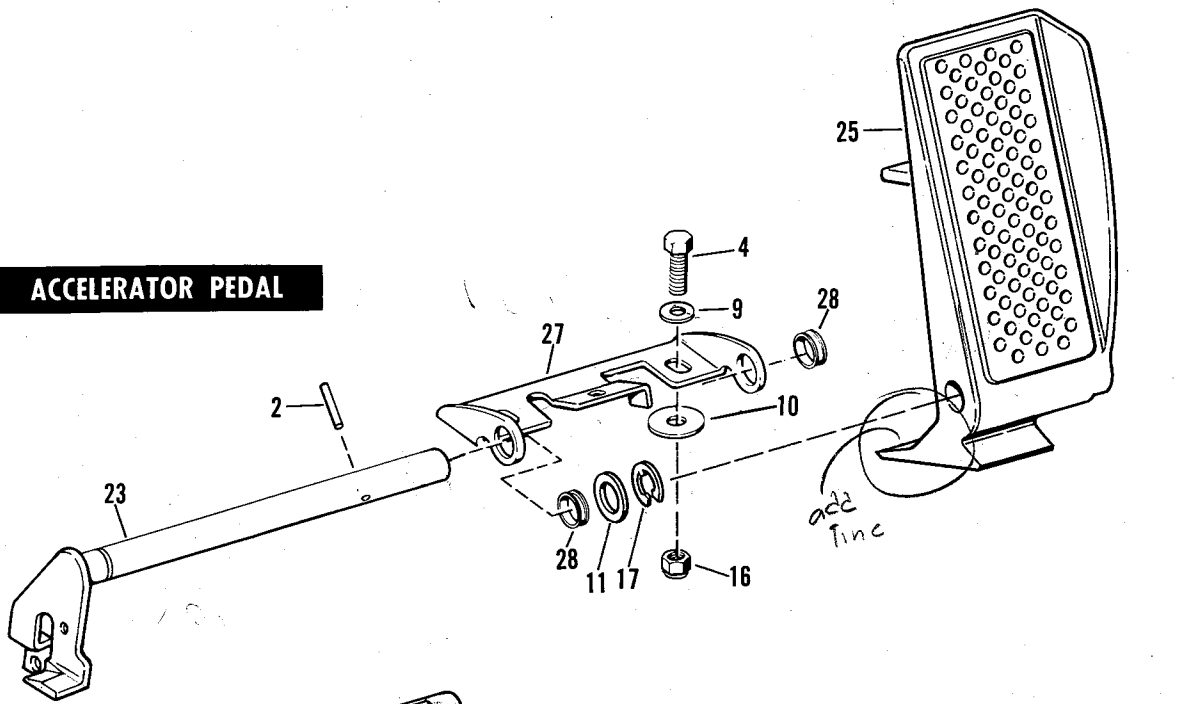
# ALPHABETICAL INDEX

DEC MODEL  
WILL NOT  
BE MADE  
IN 1971

	Page		Page
Accelerator Pedal	3 ✓	License Bracket	50
Accessory Panels	15, 30 ✓	Micro-Switch	44 ✓
Auxiliary Seats	23, 25 ✓	Mirror	30, 61 ✓
Axle	11, 57 ✓	Motor	55 ✓
Bag Holders	F8 16 ✓	Rear Axle	57 ✓
Batteries	37 ✓	Rear Suspension	F8 16 ✓
Battery Charger	39, 40 ✓	Rear View Mirror	30, 61 ✓
Beverage Holder	21 ✓	Resistor	41 ✓
Body	27, 28 ✓	Seats	F9 21 ✓
Brake	9 ✓	Sheaves	9, 55 ✓
Brake Pedal	5 ✓	Shields	15 ✓
Bumper, front	F29 61 ✓	Shock Absorber	F8 16 ✓
Bumper, rear	16 ✓	Side Curtains	32 ✓
Cab	30 ✓	Solenoid Switches	48 ✓
Cables	41, 53 ✓	Speed Switch	44 ✓
Canvas Car Cover	27 ✓	Splash Guards	15, 27 ✓
Cargo Box	30 ✓	Stake Body	30 ✓
Charger > Carry-Alls	15 ✓	Steering Wheel	13 ✓
Cigarette Lighter	41 (39, 40) ✓	Sun Top	F28 59 ✓
Circuit Breakers	48 ✓	Switches	46, 53 ✓
Differential	57 ✓	Tail Lamps	50 ✓
Diodes	48 ✓	Terminal Block	50 ✓
Direction Signals	53 ✓	Tiller	13 ✓
Flasher	53 ✓	Top	59 ✓
Floor Mats	15 ✓	Tow Bar	61 ✓
Fork	11 ✓	Traction Motor	55 ✓
Fork Housing	15 ✓	Trailer	63 ✓
Frame	F8 16 ✓	V-Belts	9 ✓
Front Axle	11 ✓	Wheels	F3 7 ✓
Headlamp	30, 50 ✓	Windshield	35 ✓
Horn	50 ✓	Wires	F20 41 ✓

Harley-Davidson products are manufactured under one or more of the following patents: U. S. Patents - D-199, 479 2510222, 2574739, 2770869, 2783927, 2788676, 2872660, 2986162, 2987934, 2998809, 3116089, 3144631, 3144860, 3226994, 3229792, Canadian Patents - 487981, 490652.

# ACCELERATOR PEDAL



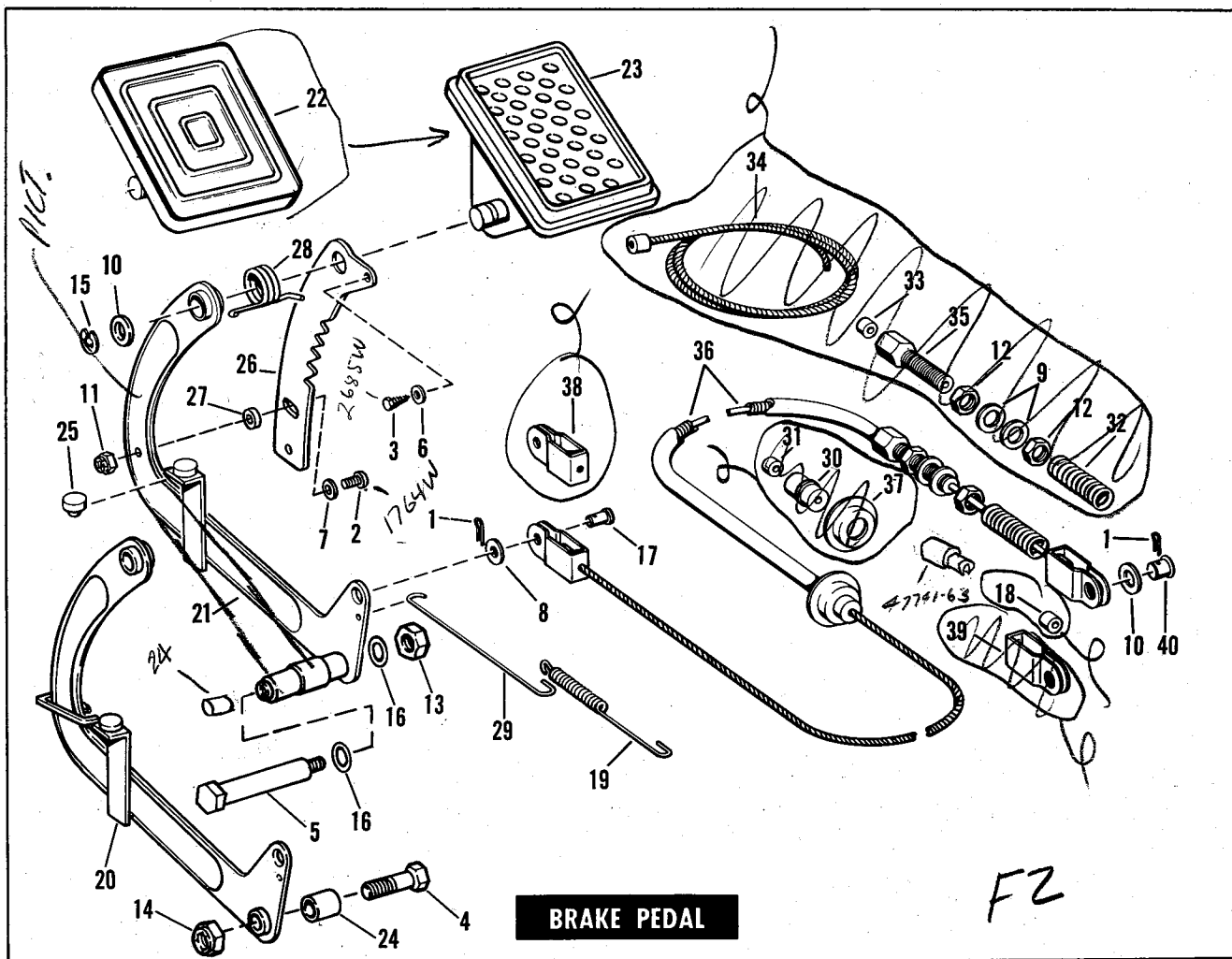
71799-68  
NYLON  
BUSHING

F1

# ACCELERATOR PEDAL

INDEX NO.	PART NO.	NAME	USED ON
1	515	COTTER PIN, 1/16 x 3/4 (2)	63 to * - DE, DEF, DEC
2	610	ROLL PIN, accelerator pedal	68 - DE, DEC
3	1768W	SCREW, No. 10-24 x 13/16 ctsk. hd. (3)	63 to 67 - DE, DEF, DEC
4	3984W	BOLT, 5/16-18 x 11/16 hex. hd. (2)	67 to * - DE, DEC
	3991	BOLT, 5/16-18 x 7/8 hex. hd. (2)	63 to 66 - DE, DEF, DEC
5	6165W	WASHER, 3/16 x 3/8 x 1/32 (2)	63 to * - DE, DEF, DEC
6	6187W	WASHER, 3/16 x 5/8 x 1/16	66 to * - DE, DEC
7	<del>6257W</del> <i>6415W</i>	WASHER, 9/32 x 1-3/8 x 1/16 <i>(use 1. 6415W)</i>	66 to * - DE, DEC
8	<del>6320</del> <i>6319HW</i>	WASHER, 5/16 x 11/16 x 1/16 (2)	63 to 67 - DE, DEF, DEC
9	6322B	WASHER, 5/16 x 11/16 x 1/32	68 - DE, DEC
10	6341B	WASHER, 5/16 x 1-1/8 x 1/16 (2)	63 to * - DE, DEF, DEC
11	6565W	WASHER, 1/2 x 3/4 x .048	68 - DE, DEC
12	7021	LOCKWASHER, No. 10 (2)	63 to 65 - DE, DEF, DEC
13	7624	NUT, No. 10-24 Flexloc (3)	63 to 66 - DE, DEF, DEC
14	7638	NUT, No. 10-32 x 1/8 x 3/8 hex.	63 to 65 - DE, DEF, DEC
15	7639B	NUT, No. 10-32 x 1/8 x 3/8 hex. (L. H. thread)	63 to 65 - DE, DEF, DEC
16	7739	LOCK NUT, 5/16-18 (2)	63 to * - DE, DEF, DEC
17	11012	RETAINING RING	68 - DE, DEC
18	40501-63	BUSHING SPACER, accelerator	63 to 67 - DE, DEF, DEC
19	40503-63	SPRING, accelerator (2)	63 to 65 - DE, DEF, DEC
20	40504-63A	STOP, accelerator	63 to 67 - DE, DEF, DEC
21	40512-63	INTERLOCK SHAFT, accelerator	63 to 65 - DE, DEF, DEC
22	40512-66	INTERLOCK SHAFT, accelerator	66 & 67 - DE, DEC
23	40512-68	INTERLOCK SHAFT, accelerator	68 - DE, DEC
24	40516-63	ACCELERATOR PEDAL	63 to 67 - DE, DEF, DEC
25	40516-68	ACCELERATOR PEDAL	68 - DE, DEC
26	40518-63	BRACKET, accelerator	63 to 67 - DE, DEF, DEC
27	40518-68	BRACKET, accelerator	68 - DE, DEC
28	40522-63	BUSHING, accelerator (2)	63 to * - DE, DEF, DEC
29	71513-66	SPRING, speed switch rod	66 to * - DE, DEC
30	71796-63	REAR ROD, accelerator linkage	63 to 65 - DE, DEF, DEC
31	71797-63	FRONT ROD, accelerator linkage	63 to 65 - DE, DEF, DEC
32	71798-63	COUPLING, accelerator linkage	63 to 65 - DE, DEF, DEC
33	71798-66A	ROD, accelerator linkage <i>010. 69. DEC</i>	66 to * - DE, DEC

31

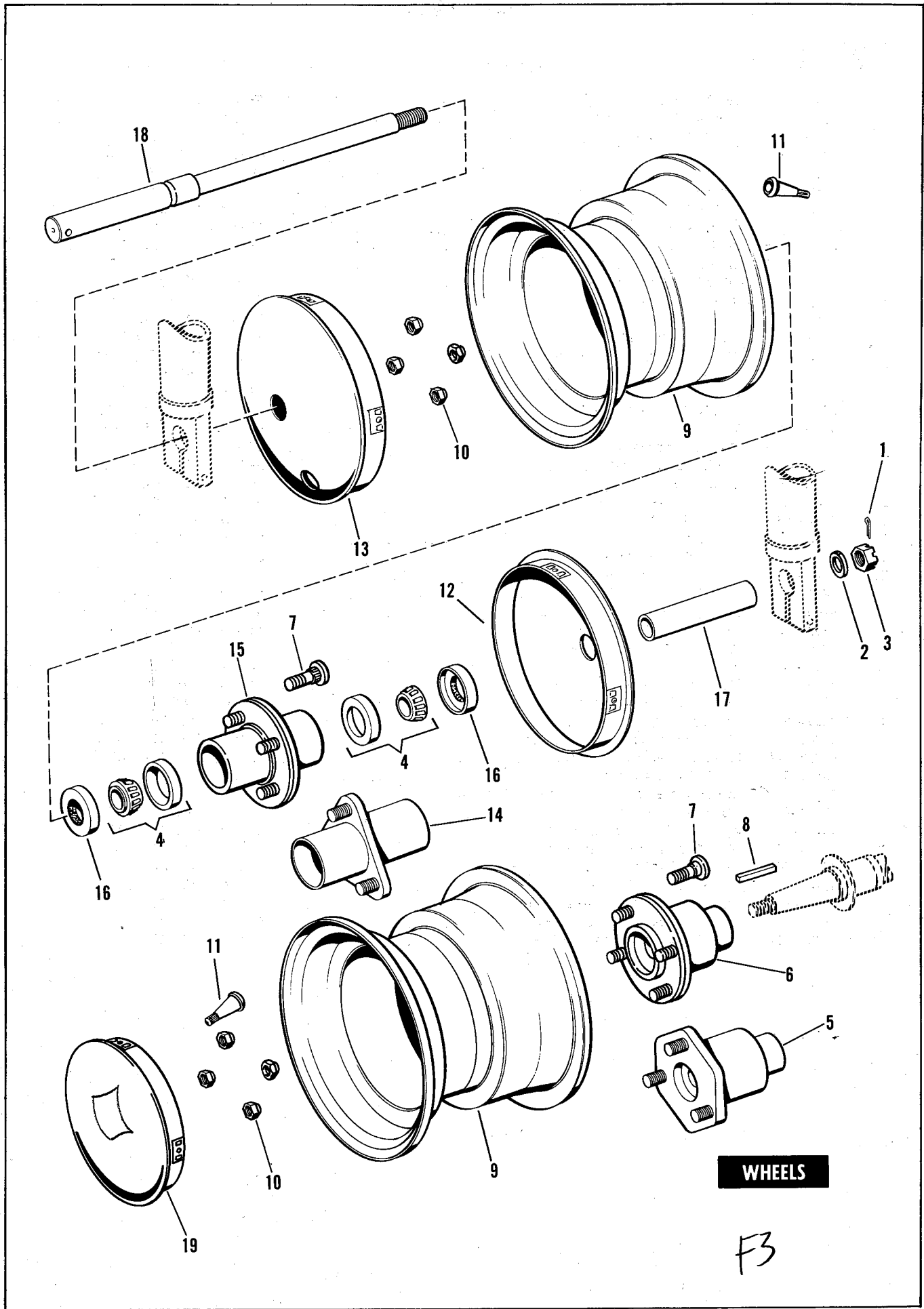


F2A  
 HYDRAULIC  
 BRAKE  
 CONTROLS

# BRAKE PEDAL - DISC BRAKE

INDEX NO.	PART NO.	NAME	USED ON
1	515	COTTER PIN, 1/16 x 3/4 (3)	63 to * - DE, DEF, DEC
2	2686	SCREW, No. 10-24 x 7/8 rd. hd.	67 to * - DE, DEC
3	3669W	SCREW, No. 10 self-tapping hex. hd.	63 to * - DE, DEF, DEC
4	4370HB	BOLT, 3/8-24 x 1-9/16 hex. hd.	63 to 65 - DE, DEF, DEC
5	4427W	SHOULDER BOLT, brake pedal	66 to * - DE, DEC
6	6150W	WASHER, No. 10 x 3/8 x 1/16	63 to * - DE, DEF, DEC
7	6187W	WASHER, 3/16 x 5/8 x 1/16	67 to * - DE, DEC
8	6242W	WASHER, 1/4 x 9/16 x 1/32	63 to * - DE, DEF, DEC
9	6310B	WASHER, 5/16 x 9/16 x 1/32 (2)	<del>63 to * - DE, DEF, DEC</del>
10	6375B	WASHER, 3/8 x 37/64 x 1/32 (2)	63 to * - DE, DEF, DEC
11	7624	LOCK NUT, No. 10-24	67 to * - DE, DEC
12	7744	NUT, 5/16-24 x 3/16 x 1/2 hex. (2)	<del>63 to * - DE, DEF, DEC</del>
13	7753	NUT, 5/16-24 x 17/64 x 1/2 hex.	66 to * - DE, DEC
14	7775	NUT, 3/8-24 Flexloc	63 to 65 - DE, DEF, DEC
15	11000	RETAINING RING, brake pedal	63 to * - DE, DEF, DEC
16	11104	O-RING, brake lever (2)	66 to * - DE, DEC
17	33874-41	CLEVIS PIN, brake cable (pedal end)	63 to * - DE, DEF, DEC
18	36712-42	CABLE END, brake cable	63 to * - DE, DEF, DEC
19	41834-59	SPRING, brake pedal return	63 to 66 - DE, DEF, DEC
	41834-67	SPRING, brake pedal return	67 to * - DE, DEC
20	42405-63A	LEVER, brake pedal	63 to 65 - DE, DEF, DEC
21	42405-66A B	LEVER, brake pedal, with spring	66 to * - DE, DEC
22	42479-63	BRAKE PEDAL, only	63 to 67 - DE, DEF, DEC
23	42479-63A	BRAKE PEDAL, only	68 - DE, DEF, DEC *
24	42482-63	BUSHING, brake lever	63 to 65 - DE, DEF, DEC, 65 to 68 DEC
25	42483-63	BUMPER, brake lever	63 to * - DE, DEF, DEC
26	42488-63	RATCHET, brake lever	63 to 67 - DE, DEF, DEC
	42488-63A	RATCHET, brake lever	68 - DE, DEF, DEC
27	42490-67	SPACER, pedal ratchet	67 to * - DE, DEC
28	42494-63	RATCHET SPRING, brake lever	63 to 67 - DE, DEF, DEC
	42494-63A B	RATCHET SPRING, brake lever	68 - DE, DEF, DEC
29	42501-67	PULL WIRE, brake pedal	67 to * - DE, DEC
	42502-63	PULL WIRE, brake pedal spring	63 to 65 - DE, DEF, DEC
	42502-66	PULL WIRE, brake pedal spring	66 - DE, DEC
30	42904-62	FERRULE, brake cable	63 to * - DE, DEF, DEC
31	42908-62	SEAL, brake cable	63 to * - DE, DEF, DEC
32	45070-51A	RETURN SPRING, brake cable	63 to * - DE, DEF, DEC
33	45111-51	FELT PACKING, brake cable	63 to * - DE, DEF, DEC
	45130-61	CORE, brake cable (Replaced by 45130-62)	<del>63 to * - DE, DEF, DEC</del>
34	45130-63	CORE, brake cable	63 to * - DE, DEF, DEC
35	45161-51A	ADJUSTING SCREW, brake cable	63 to * - DE, DEF, DEC
36	47740-63	BRAKE CONTROL CABLE, complete	63 to 65 - DE, DEF, DEC
	47740-66A	BRAKE CONTROL CABLE, complete	66 to * - DE, DEC
37	47743-63	RETAINER, brake cable	63 to * - DE, DEF, DEC
38	47751-63	CLEVIS, brake cable (pedal end)	63 to * - DE, DEF, DEC
39	73003-61	CLEVIS, brake cable (brake end)	63 to * - DE, DEF, DEC
40	73092-61A	CLEVIS PIN, brake cable (brake end)	63 to * - DE, DEF, DEC
	47741-63	SPACER	

DISC BRAKE  
VOID - 69-DEC



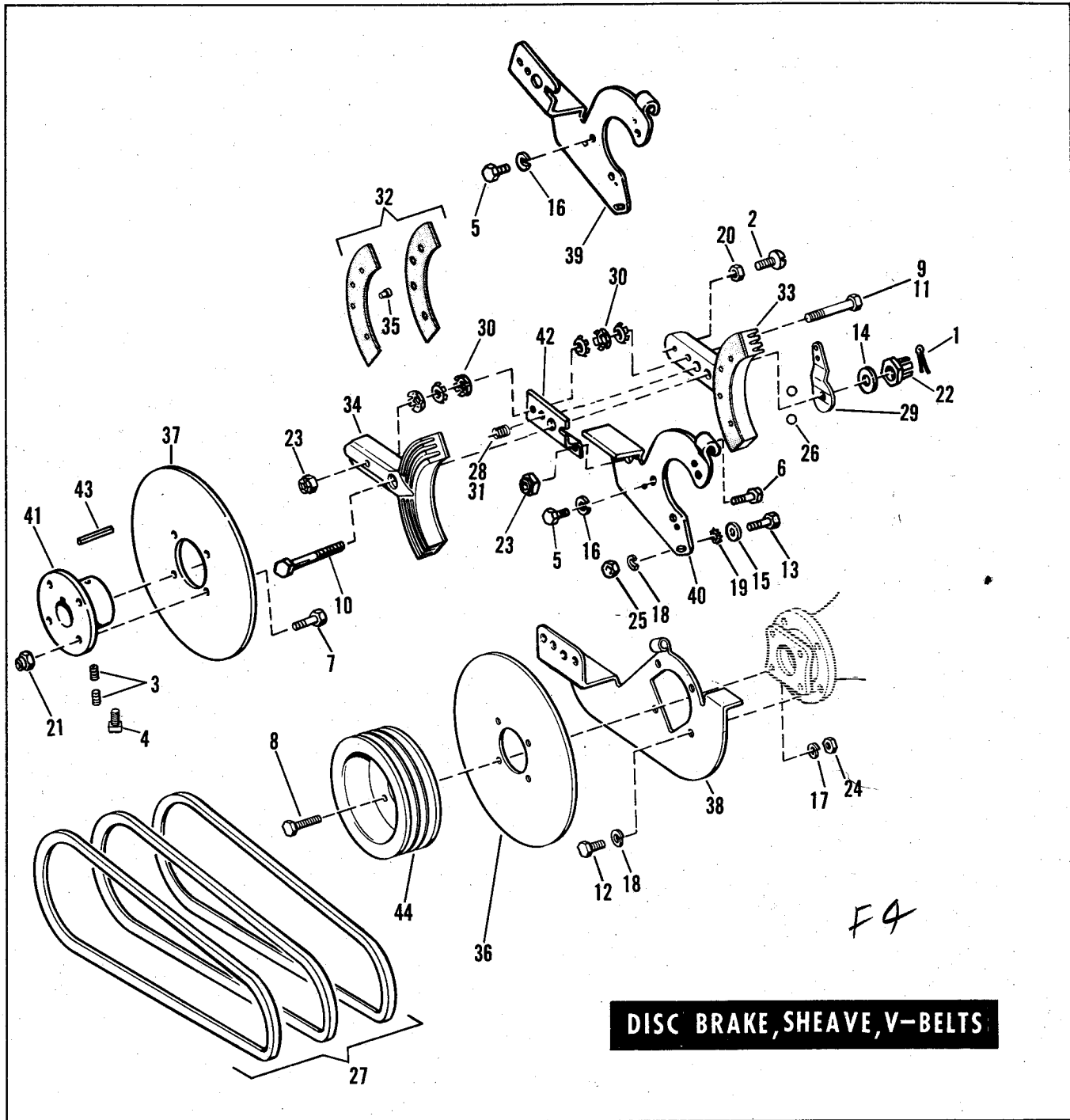
**WHEELS**

F3



*with  
tire* WHEELS

INDEX NO.	PART NO.	NAME	USED ON
1	534	COTTER PIN, 3/32 x 1.....	63 to * - DE, DEF, DEC
2	6722B	WASHER, 5/8 x 1-1/8 x 3/32.....	63 to * - DE, DEF, DEC
3	7947W	CASTLE NUT, 5/8-18 x 1/2 x 15/16 hex.....	63 to * - DE, DEF, DEC
4	9033	FRONT WHEEL BEARING (2).....	63 to * - DE, DEF, DEC
	40954-65	WHEEL ASSEMBLY, left rear (12 in. tire).....	65 - DE
	40955-65	WHEEL ASSEMBLY, right rear (12 in. tire).....	65 - DE
	40956-66	WHEEL ASSEMBLY, 5 in. 4 ply 5.70 x 8 -66 only*	66 to * - DEC
	40958-67	WHEEL ASSEMBLY (9.50 x 8) (Traction Tread) (rear).....	67 to * - DE
	40964-66	WHEEL ASSEMBLY (9.50 x 8 - 2 ply)..... -66 only*	66 to * - DE
	40965-66	WHEEL ASSEMBLY (9.50 x 8 - 4 ply)..... -66 only*	66 to * - DE
	40966-65	WHEEL ASSEMBLY (9.50 x 8 - 4 ply with tube).....	65 - DEF, DEC
5	41024-63	HUB, rear wheel (2).....	63 to 65 - DE, DEF, DEC
6	41024-66	HUB, rear wheel (2).....	66 to * - DE, DEC
7	41199-63	MOUNTING STUD, wheel hub (3).....	63 to 65 - DE, DEF, DEC
	41199-66A	MOUNTING STUD, wheel hub (4).....	66 to * - DE, DEC
8	41204-63A	KEY, rear wheel hub (2).....	63 to * - DE, DEF, DEC
9	43016-66	WHEEL RIM, (5.70/500 x 8) (front).....	66 to * - DEC
	43017-63	WHEEL RIM, (9.50 x 8).....	63 to 65 - DE, DEF, DEC
	43017-66A	WHEEL RIM, (9.50 x 8).....	66 to * - DE
	43035-66A	WHEEL RIM, (5.70 x 8) (rear)..... -66 only*	66 to * - DEC
10	43152-63	WHEEL NUT (3).....	63 to 65 - DE, DEF, DEC
	43152-66	WHEEL NUT, (4).....	66 to * - DE, DEC
11	43156-63	VALVE WITH CORE.....	63 to * - DE, DEF, DEC
	43158-65	TIRE VALVE EXTENSION, front wheel.....	63 to * - DE
	43486-65	FRONT WHEEL ASSEMBLY (12 in.).....	65 - DE
	43490-63	WHEEL ASSEMBLY, (9.50 x 8 - 2 ply).....	63 to 65 - DE
	43490-65	WHEEL ASSEMBLY, (9.50 x 8 - 4 ply).....	65 - DE
	43493-65	WHEEL ASSEMBLY, (5.70 x 8).....	65 - DEF, DEC
12	43600-63	HUB CAP, front wheel (2).....	63 to * - DE
13	43600-65	HUB CAP, left (with hole for valve stem).....	65 to * - DE
14	43614-63	HUB, front wheel.....	63 to 65 - DE, DEF, DEC
15	43614-66A	HUB, front wheel (includes bearings & seals).....	66 to * - DE, DEC
16	43732-63	OIL SEAL, front wheel (2).....	63 to * - DE, DEF, DEC
17	43738-63	SPACER, front axle.....	63 to * - DE, DEF, DEC
18	43874-63A	FRONT AXLE.....	63 to * - DE, DEF, DEC
	43874-65	FRONT AXLE (12 in. tire).....	65 - DE
19	83961-63A	HUB CAP, rear wheel (2).....	63 to * - DE
	83962-66	HUB CAP, rear wheel (2).....	66 to * - DEC



# DISC BRAKE, SHEAVE, V-BELTS

INDEX NO.	PART NO.	NAME	USED ON
1	<del>515</del>	COTTER PIN, 1/16 x 3/4	63 to * - DE, DEF, DEC
2	2793B	SCREW, 1/4-20 x 1-1/2 rd. hd.	63 & Early 64 - DE
	2797B	SCREW, 1/4-20 x 1-3/4 rd. hd.	Late 64 to 66 - DE, DEF, DEC
	2798W	SCREW, 1/4-20 x 1-1/2 slot hd. (locking)	67 to * - DE, DEC
3	3233	SET SCREW, 1/4-28 x 1/4 socket hd. (4)	63 to Early 67 - DE, DEF, DEC
4	3239W	SET SCREW	Late 67 to * - DE, DEC
5	3767B	BOLT, 1/4-20 x 5/8 hex. hd. (3)	66 to * - DE, DEC
6	3974HW	BOLT, 5/16-24 x 3/4 hex. hd. (2)	67 to * - DE, DEC
7	<del>3966</del> 3996	BOLT, 5/16-24 x 7/8 hex. hd. (4)	66 to * - DE, DEC
8	4019B	BOLT, 5/16-18 x 1-1/4 hex. hd. (4)	63 to 65 - DE, DEF, DEC
9	4060W	BOLT, 5/16-24 x 2-1/4 hex. hd.	63 & Early 64 - DE
10	4062W	BOLT, 5/16-24 x 3-1/4 hex. hd. (drilled)	Late 64 to * - DE, DEF, DEC
	4065	BOLT, 5/16-24 x 2-3/4 hex. hd.	63 & Early 64 - DE
11	4072	BOLT, 5/16-24 x 2-5/8 hex. hd.	Late 64 to * - DE, DEF, DEC
12	4293	BOLT, 3/8-16 x 25/32 hex. hd. (4)	63 to 65 - DE, DEF, DEC
13	4323	BOLT, 3/8-16 x 1 hex. hd.	67 to * - DE, DEC
14	6316BW	WASHER, 5/16 x 5/8 x 1/16 (2) <i>VOID Late 68</i>	63 to * - DE, DEF, DEC
15	6395B	WASHER, 3/8 x 13/16 x 1/16	66 to * - DE, DEC
16	<del>7035B</del> 7036	LOCKWASHER, 1/4 (3)	66 to * - DE, DEC
17	<del>7040</del> 7041	LOCKWASHER, 5/16 x 9/16 (8)	63 to 65 - DE, DEF, DEC
18	7045	LOCKWASHER, 3/8	63 to * - DE, DEF, DEC
19	7145W	LOCKWASHER, 3/8 ext. tooth.	66 to * - DE, DEC
20	7685	NUT, 1/4-20 x 9/32 x 7/16 hex.	63 to * - DE, DEF, DEC
21	7727	LOCK NUT, 5/16-24 (4)	66 to * - DE, DEC
22	7728	CASTLE NUT, 5/16-24 x 5/16 x 1/2 hex.	63 to * - DE, DEF, DEC
23	7729	LOCK NUT, 5/16-24 x 1/4 x 1/2 hex.	63 to * - DE, DEF, DEC
24	7748W	NUT, 5/16-18 x 17/64 x 1/2 hex. (8)	63 to 65 - DE, DEF, DEC
25	<del>7782</del> 7783	NUT, 3/8-16 x 5/16 x 9/16 hex.	66 to * - DE, DEC
26	8858	BALL, cam lever (2)	Late 63 to * - DE, DEF, DEC
27	36393-63	SET OF V-BELTS (3 in set)	63 to 65 - DE, DEF, DEC
28	38078-47	SPRING, brake shoe.	Late 64 to * - DE, DEF, DEC
29	41421-63A	BRAKE CAM LEVER	63 & Early 64 - DE
	41421-64A	BRAKE CAM LEVER <i>-64 only VOID 72</i>	Late 64 to * - DE, DEF, DEC
30	41424-63	SPRING WASHER (6)	63 to * - DE, DEF, DEC
31	41728-63	SPRING, brake shoe.	63 & Early 64 - DE
	41810-63A	BRAKE LINING CONVERSION KIT	63 & 64 - DE (Below Serial No. 64D-2201)
32	41810-64	SET OF BRAKE LININGS AND RIVETS	64 to * - DE, DEF, DEC (Above Serial No. 64D-2201)
33	41811-63B	BRAKE SHOE, rear	63 & 64 - DE (Below Serial No. 64D-2201)
	41811-64	BRAKE SHOE, rear	64 to * - DE, DEF, DEC (Above Serial No. 64D-2201)
34	<del>41812-64</del>	BRAKE SHOE, front	63 to 67 - DE, DEF, DEC
	41812-64A	BRAKE SHOE, front	68 - DE, DEF, DEC
35	41841-63	RIVET, brake lining (pkg. 25) (8)	63 to * - DE, DEF, DEC
36	47744-63A	BRAKE DISC	63 to 65 - DE, DEF, DEC
37	47744-66	BRAKE DISC	66 to * - DE, DEC
38	47745-63	BRACKET, brake mounting.	63 to 65 - DE, DEF, DEC
39	47745-66	BRACKET, brake mounting.	66 - DE, DEC
40	47745-67	BRACKET, brake mounting. <i>VOID 72</i>	67 to * - DE, DEC
41	47746-66	HUB, brake disc	66 to * - DE, DEC
42	47748-67	BRACKET, brake shoe <i>VOID 72</i>	67 to * - DE, DEC
43	70498-63	KEY, brake disc hub	63 to * - DE, DEF, DEC
44	82868-63	DRIVE SHAFT SHEAVE	63 to 65 - DE, DEF, DEC

*inter changeable? (eliminate nut?)*

*3/32 x 1*

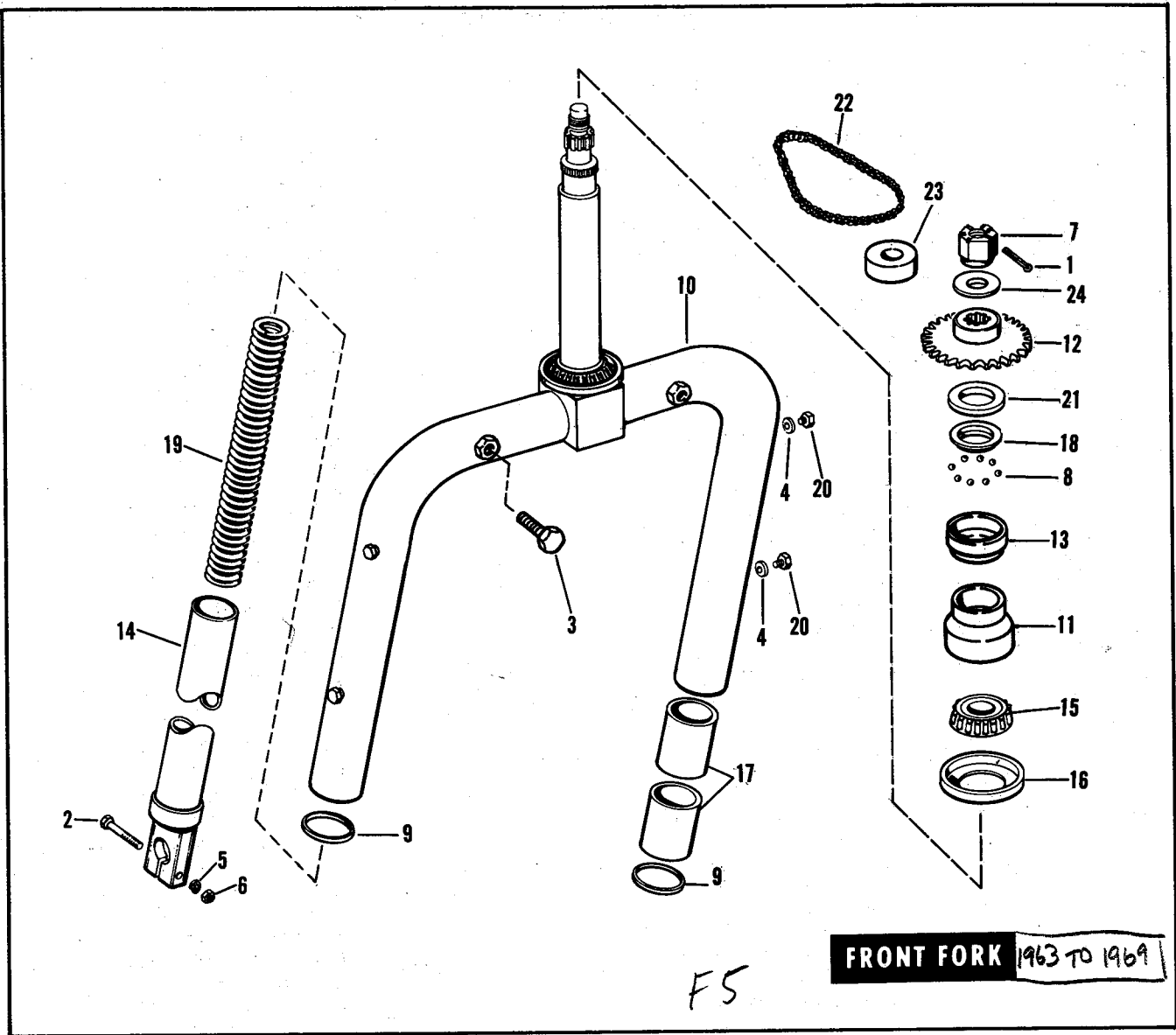
*VOID Late 68*

*VOID 72*

*VOID 72*

*VOID 72*

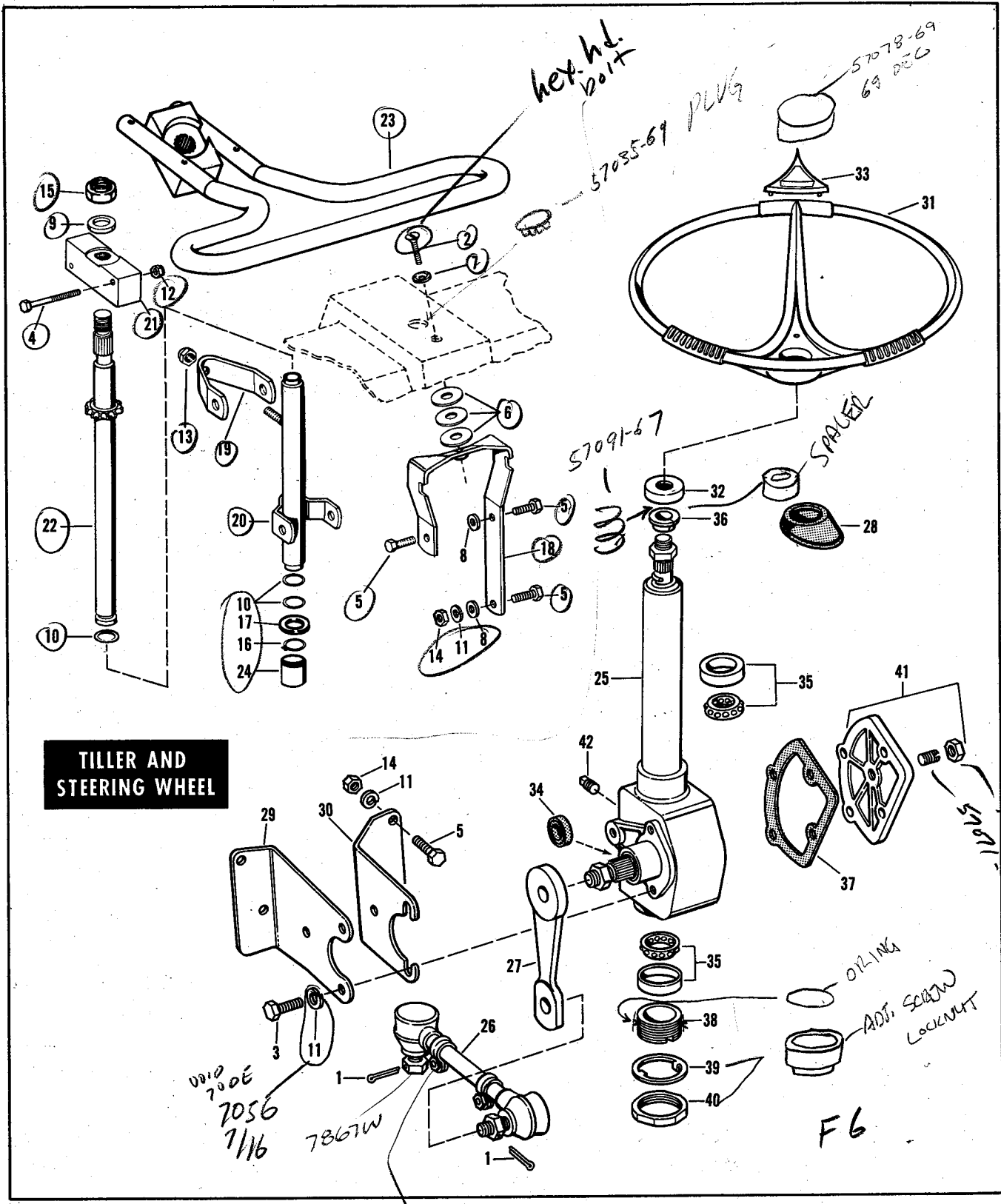
DISC BRAKES  
VOID - 69 DEC



# FRONT FORK - 1963 TO 1969

INDEX NO.	PART NO.	NAME	USED ON
1	559	COTTER PIN, 1/8 x 1-1/4.....	63 to * - DE, DEF, DEC
2	4041W	BOLT, 5/16-24 x 1-5/8 hex. hd. (2).....	63 to * - DE, DEF, DEC
3	4411	BOLT, 3/8-24 x 1-3/4 hex. hd. (2).....	Late 65 to * - DE, DEF, DEC
4	6218W	WASHER, 1/4 x 7/16 x 1/32 (4).....	63 to * - DE, DEF
5	7041	LOCKWASHER, 5/16 (2).....	63 to * - DE, DEF, DEC
6	7753	NUT, 5/16-24 x 17/64 x 1/2 hex. (2).....	63 to * - DE, DEF, DEC
7	7947W	CASTLE NUT, 5/8-18 x 1/2 x 15/16 hex.....	63 to * - DE, DEF, DEC
8	8854	BALL, steering head (23).....	63 to * - DE, DEF, DEC
9	12009	OIL SEAL (2).....	63 to * - DE, DEF, DEC
10	45525-63A	FORK WITH BUSHINGS.. <i>only then ship 45526-67A</i>	63 to * - DE, DEF, DEC - <i>VOID 70</i>
	45526-67A	FORK ASSEMBLY, complete (for steering wheel) .... <i>only then ship</i>	67 to * - DE - <i>VOID 70</i>
	45527-63	FORK ASSEMBLY, complete.....	<del>63 to * - DE, DEF, DEC</del>
11	45586-63	BEARING CUP, lower.....	63 to * - DE, DEF, DEC
12	45587-63	STEERING SPROCKET, (2.63:1 ratio).....	63 to * - DE
	45587-65A	STEERING SPROCKET, (1.45:1 ratio).....	65 to * - DEF, DEC
13	45588-63	BEARING CUP, upper.....	63 to * - DE, DEF, DEC
14	45593-63	FORK SLIDER, right.....	63 to * - DE, DEF, DEC
	45594-63	FORK SLIDER, left.....	63 to * - DE, DEF, DEC
15	45595-63	BEARING CONE, steering head lower.....	63 to * - DE, DEF, DEC
16	45599-63	BEARING GUARD, steering head.....	63 to * - DE, DEF, DEC
17	45630-63	BUSHING, fork tube (4).....	63 to * - DE, DEF, DEC
18	45736-47	BEARING CONE, steering head upper.....	63 to * - DE, DEF, DEC
19	46049-63A	FORK SPRING (2).....	63 to * - DE, DEF, DEC
20	46201-52	FORK PLUG (4).....	63 to * - DE, DEF, DEC
21	48360-47	BEARING GUARD, steering head upper.....	63 to * - DE, DEF, DEC
22	57006-63	STEERING CHAIN, (2.63:1 ratio), with connecting link.....	63 to * - DE
	57006-65	STEERING CHAIN, (1.45:1 ratio), with connecting link.....	65 to * - DEF, DEC; <i>69 to * DE</i>
23	57069-67	SPACER, fork stem (for steering wheel).....	67 to * - DE
24	83975-37A	WASHER, <i>41/64</i> x 1-1/2 x 1/16.....	63 to * - DE, DEF, DEC

*57014-63*  
*57012-65*  
*5/0*



**TILLER AND STEERING WHEEL**

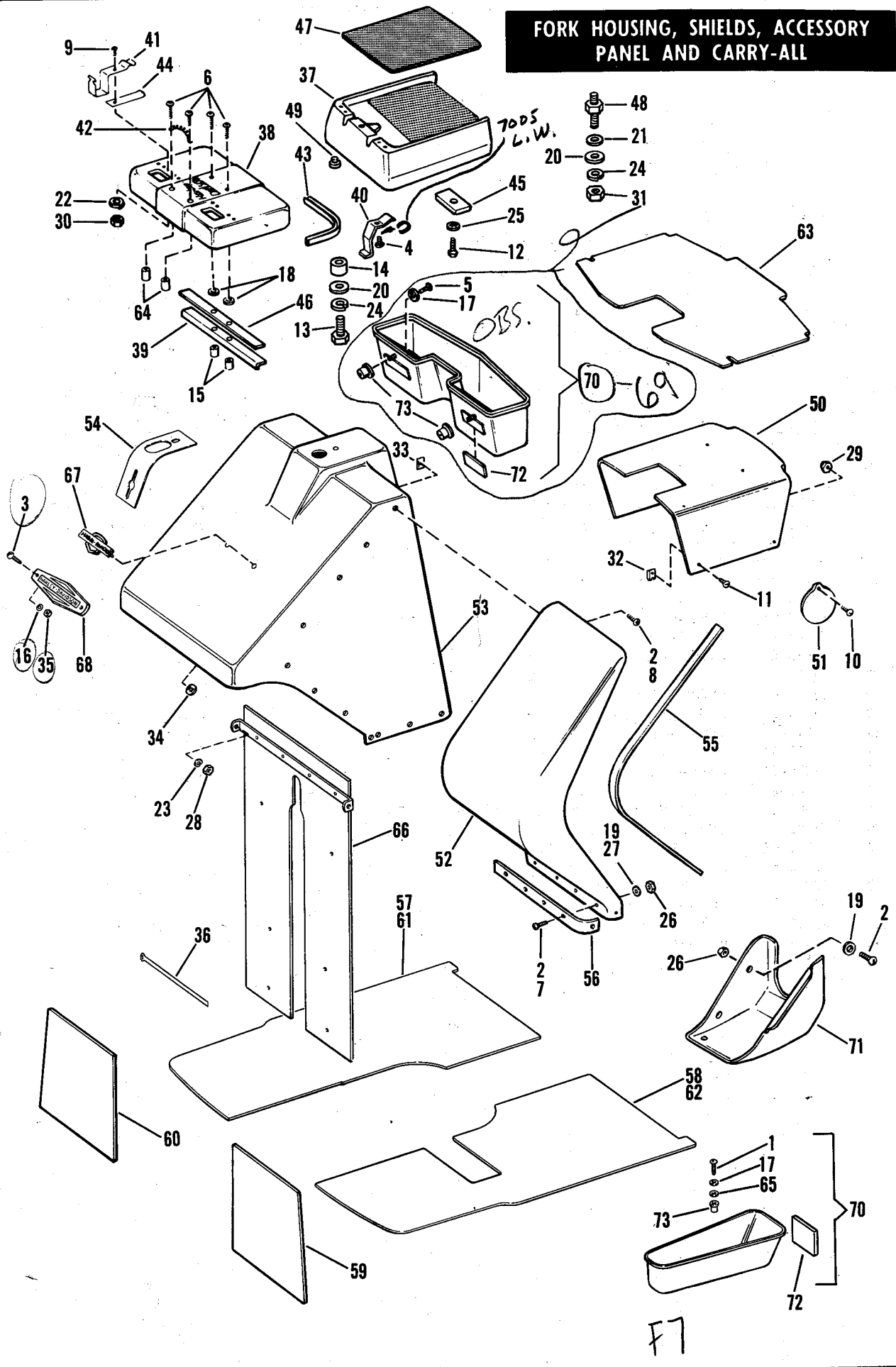
# TILLER AND STEERING WHEEL

INDEX NO.	PART NO.	NAME	USED ON
1	3960W 559	COTTER PIN, 1/8 x 1-1/4 (2)	69-DEC Late 67 to * - DE
2	2336 2777W	SCREW, 1/4-20 x 1 ctsk. hd.	63 to * - DE, DEF
3	3855W B	SCREW, fork housing, 1/4-20 x 7/8 rd. hd.	66 to * - DEC
4	3940	BOLT, 7/16-14 x 1 hex. hd. (3)	USE 69 DEC Late 67 to * - DE
5	4320B	BOLT, 1/4-28 x 3-1/2 hex. hd. (2)	63 - DE
6	5927	BOLT, 3/8-24 x 1 hex. hd. (3)	63 to * - DE, DEF, DEC
7	6102 6329W	RUBBER WASHER, 11/32 x 1-1/2 x 3/32 (3)	63 to * - DE, DEF, DEC
	6253B W	CUP WASHER, 9/32 x 11/16 x 1/16	63 to * - DE, DEF
8	6418B	WASHER, fork housing, 17/64 x 3/4 x 1/16	66 to * - DEC
9	6714W	WASHER, 3/8 x 1-1/8 x 11/64 (2)	USE 69 DEC Late 67 to * - DE
10	6801B	WASHER, 5/8 x 1 x 1/32	63 to * - DE, DEF, DEC
11	7045	WASHER, 3/4 x 7/8 x .007 (as required)	63 to * - DE, DEF, DEC
12	7683	LOCKWASHER, 3/8 (3) <i>68 teacher (1-1969)</i>	63 to * - DE, DEF, DEC
13	7775	NUT, 1/4-28 Flexloc (2)	63 - DE
14	7793 7792W	LOCK NUT, 3/8-24	63 to * - DE, DEF, DEC
15	7993	NUT, 3/8-24 x 21/64 x 9/16 hex. (3) <i>68 teacher (1-1969)</i>	63 to * - DE, DEF, DEC
16	11032	NUT, 5/8-18 Flexloc	63 to * - DE, DEF, DEC
17	35917-36	RETAINING RING	63 to * - DE, DEF, DEC
18	45581-67 A	THRUST WASHER, 25/32 x 1-1/8 x .050	68 10B 63 to * - DE, DEF, DEC
	45584-63 AC	STEERING HEAD BRACKET (steering wheel)	A in 71 69 DEC C in 71 Late 67 to * - DE
19	57008-63	STEERING HEAD BRACKET (tiller bar)	63 to * - DE, DEF, DEC
20	57011-63 A	CHAIN ADJUSTMENT BRACKET	63 to * - DE, DEF, DEC
21	57017-63	TILLER SHAFT TUBE ASSEMBLY	A in 71 63 to * - DE, DEF, DEC
22	57021-63 AB	TILLER BAR HEAD	OH in 1 left 3/21/70 63 - DE
23	57025-63 B	TILLER SHAFT	63 to * - DE, DEF, DEC
24	57031-63 69	TILLER BAR, with head	63 to * - DE, DEF, DEC
25	57062-67 69	CAP, tiller shaft	69-DEC Late 67 to * - DE
26	57063-67	STEERING GEAR ASSEMBLY	69-DEC Late 67 to * - DE
27	57065-67	TIE ROD, steering arm	69-DEC Late 67 to * - DE
28	57065-67	ARM, steering gear	69-DEC Late 67 to * - DE
29	57068-67	RUBBER COVER, steering column	69-DEC Late 67 to * - DE
30	57072-67	FRONT BRACKET, steering gear	69-DEC Late 67 to * - DE
31	57073-67	REAR BRACKET, steering gear	69-DEC Late 67 to * - DE
32	57075-67	STEERING WHEEL	use black on 69 DEC Late 67 to * - DE
33	57077-67	DIRT GUARD, steering gear	69-DEC Late 67 to * - DE
34	57078-67	COVER, steering wheel hub	57078-69 - 69 DEC Late 67 to * - DE
35	57081-67	OIL SEAL, steering shaft	69-DEC Late 67 to * - DE
36	57082-67	SET OF BEARINGS AND CUPS, worm shaft	69-DEC Late 67 to * - DE
37	57083-67	UPPER NYLON BUSHING	69-DEC Late 67 to * - DE
38	57084-67	GASKET, side cover	69-DEC Late 67 to * - DE
39	57085-67	END CAP	69-DEC Late 67 to * - DE
40	57086-67	LOCKWASHER, end cap	69-DEC Late 67 to * - DE
41	57087-67	LOCK NUT, end cap	69-DEC Late 67 to * - DE
42	57088-67	SIDE COVER	69-DEC Late 67 to * - DE
	57090-67	FILLER PLUG	69-DEC Late 67 to * - DE
	57091-67	SPRING, steering wheel column	69-DEC Late 67 to * - DE

NOTE: Asterisk (\*) indicates part is used on 1968 models (see GENERAL INFORMATION)

67 & 68 (below Ser. No.,  
68 D 10757  
68 DE 6172

**FORK HOUSING, SHIELDS, ACCESSORY  
PANEL AND CARRY-ALL**





# FORK HOUSING SHIELDS, ACCESSORY PANEL AND CARRY-ALL

INDEX NO.	PART NO.	NAME	USED ON
1	1078W	SCREW, 1/4-20 x 1-1/2 ctsk. hd. ....	66 - DE
2	1719W	SCREW, No. 8-32 x 5/8 Phil. hd. (24).....	Late 64 to * - DE, DEF, DEC
3	2065W	SCREW, No. 4-40 x 1/2 Phil. hd. (2).....	66 to * - DE, DEC
4	2073W	SCREW, No. 4-40 self-tapping.....	67 to * - DE, DEC
5	2336	SCREW, 1/4-20 x 1-1/8 ov. hd. (2).....	63 to 65 - DE
6	2643	SCREW, No. 8-32 x 1-1/4 Phil. hd. (4).....	63 to 66 - DE, DEF
7	2676C	SCREW, No. 10-24 x 5/8 self-tapping Phil. hd. (18).....	63 & Early 64 - DE
8	2679W	SCREW, No. 10-24 x 9/16 Phil. hd. (16).....	63 & Early 64 - DE
9	2682	SCREW, No. 10-32 x 3/8 Phil. hd. (2).....	63 to 66 - DE, DEF
10	2684W	SCREW, No. 10-32 x 5/8 rd. hd. ....	63 & Early 64 - DE
11	2731W	SCREW, No. 10 x 3/8 self-tapping rd. hd. (4).....	63 & Early 64 - DE
	3550	SCREW, No. 10-32 x 3/8 hex. hd. (4).....	Late 64 to * - DE, DEF, DEC
12	3794W	SCREW, 1/4-14 self-tapping hex. hd. (2).....	67 to * - DE, DEC
13	4005W	BOLT, 5/16-18 x 1 hex. hd. (for steering wheel).....	Late 67 to * - DE
14	5919	SPACER, accessory panel.....	Late 67 to * - DE
15	5929	SPACER, accessory panel (2).....	63 to 66 - DE, DEF
16	6030W	WASHER, 7/64 x 3/8 x 1/32 (2).....	66 to * - DE, DEC
17	6102	CUP WASHER, carry-all.....	63 to 66 - DE
<hr/>			
18	6186	WASHER, 3/16 x 1/2 x 1/8 (fiber) (2).....	63 to 66 - <u>D, DF</u>
19	6189W	WASHER, No. 8 x 13/32 x 1/32 (22).....	Late 64 to * - DE, DEF, DEC
20	6327B	WASHER, 5/16 x 3/4 x 1/16 (2).....	Late 67 to * - DE
21	6341B	WASHER, 5/16 x 1-1/8 x 1/16.....	Late 67 to * - DE
22	7021	LOCKWASHER, No. 10 (2).....	63 to * - DE, DEF
23	7025W	LOCKWASHER, No. 10 (2).....	64 to * - DE, DEF, DEC
24	7041	LOCKWASHER, 5/16 (2).....	Late 67 to * - DE
25	7124	LOCKWASHER, 1/4 int. tooth (2).....	67 to * - DE, DEC
26	7609W	NUT, No. 8-32 Flexloc (24).....	Late 64 to * - DE, DEF, DEC
27	7613A	SPEED NUT, No. 10 (18).....	63 & Early 64 - DE
28	7620W	NUT, No. 10-24 x 1/8 x 3/8 hex. (2).....	64 to * - DE, DEF, DEC
<hr/>			
29	7626W	NUT, No. 10-32 Flexloc.....	63 & Early 64 - DE
30	7638	NUT, No. 10-32 x 1/8 x 3/8 hex. (2).....	63 to * - DE, DEF
31	7748W	NUT, 5/16-18 x 17/64 x 1/2 hex. (steering wheel) accessory panel.....	Late 67 to * - DE
32	8115B	SPEED NUT, No. 10 (4).....	63 & Early 64 - DE
33	8121	SPEED NUT, No. 10 (16).....	63 & Early 64 - DE
34	8129B	SPEED NUT, name plate (2).....	63 to 65 - DE, DEF, DEC
35	8131W	LOCK NUT, No. 4-40 (2).....	66 - DE, DEC
36	10016	METAL STRAP, front splash guard (3).....	64 to * - DE, DEF, DEC
37	31400-67B	ACCESSORY PANEL (used with steering wheel).....	Late 67 to * - DE
	31401-67B	ACCESSORY PANEL.....	67 to * - DE, DEC
38	31402-63A	ACCESSORY PANEL.....	63 to 66 - DE
	31403-64A	ACCESSORY PANEL.....	65 to 66 - DEF, DEC
39	31404-63	REINFORCEMENT, accessory panel.....	63 to 66 - DE, DEF, DEC
40	31407-67	PENCIL AND SCORE CARD CLIP.....	67 to * - DE, DEC
41	31408-63	PENCIL CLIP (2).....	63 to 66 - DE, DEF, DEC
42	31410-63	CIGARETTE HOLDER, spring.....	63 & 64 - DE, DEF
43	31413-63	EDGING, accessory panel.....	63 to 66 - DE, DEF, DEC
44	31414-63	SCORE CARD CLIP (2).....	63 to 66 - DE, DEF, DEC
45	31415-67	MOUNTING PLATE, accessory panel (2).....	67 to * - DE, DEC
46	31416-63	PAD, accessory panel.....	63 to 66 - DE, DEF, DEC
47	31417-67A	PLASTIC COVER, accessory panel.....	67 to * - DE, DEC
48	31419-67	STUD, accessory panel.....	Late 67 to * - DE
49	31420-67	RUBBER BUMPER, accessory panel (4).....	Late 67 to * - DE
50	50209-63A	TUNNEL COVER.....	63 & 64 - DE
	50209-65	TUNNEL COVER.....	65 - DE, DEF, DEC
	50209-66	TUNNEL COVER.....	66 - DE, DEC
51	50218-63	COVER PLATE, charger plug.....	63 & Early 64 - DE
52	50253-63	SHIELD, left.....	63 & 64 - DE
	50253-65	SHIELD, left.....	65 - DE, DEF, DEC
	50253-66AB	SHIELD, left.....	66 to * - DE, DEC
	50255-63	SHIELD, right.....	63 & 64 - DE
	50255-65	SHIELD, right.....	65 - DE, DEF, DEC
	50255-66AB	SHIELD, right.....	66 to * - <u>D, DC</u>

31406-67

31418-67

DE, DEF

DE, DEF

NOTE: Asterisk (\*) indicates part is used on 1968 models (see GENERAL INFORMATION)

# FORK HOUSING SHIELDS, ACCESSORY PANEL AND CARRY-ALL (CONT'D)

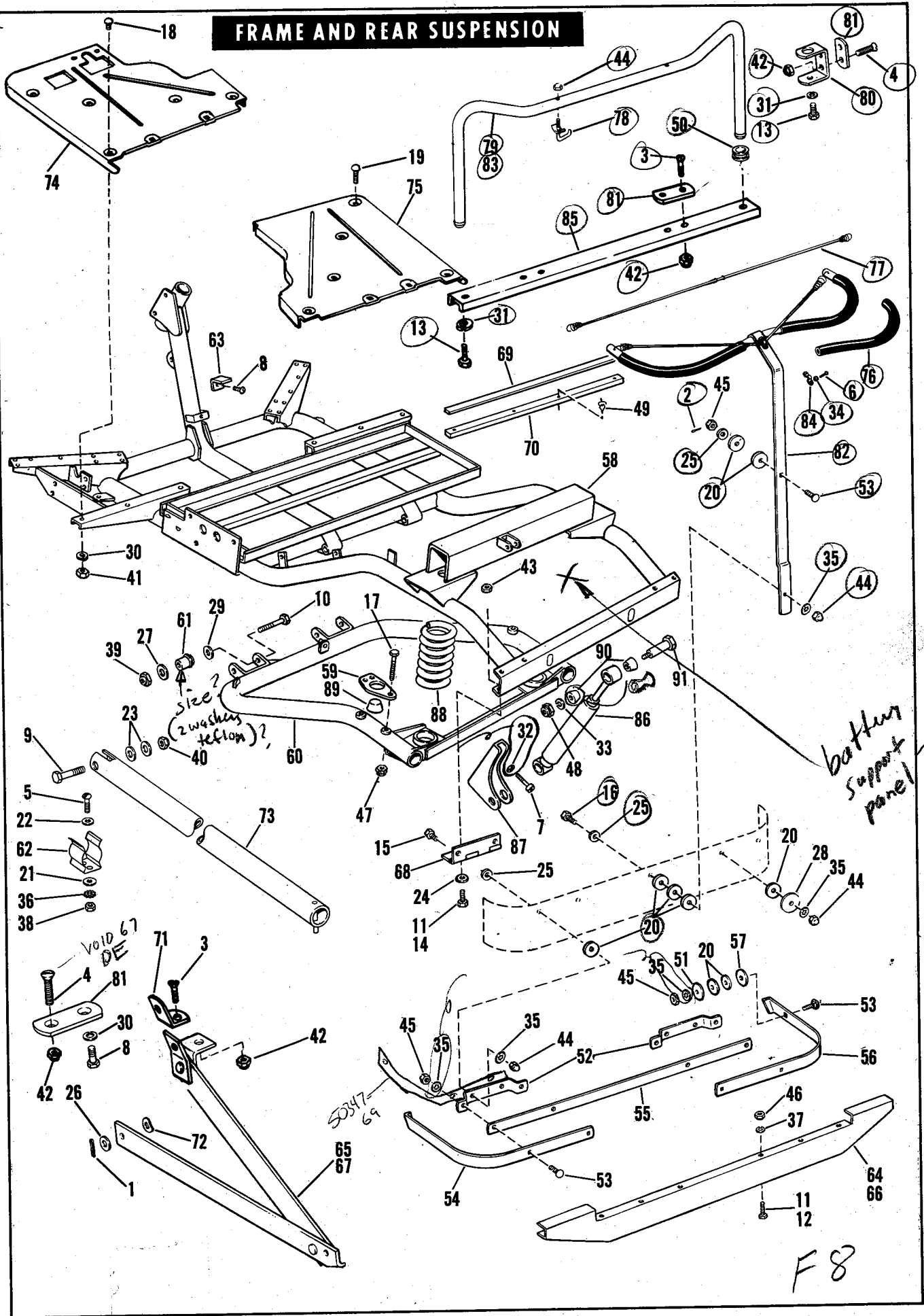
INDEX NO.	PART NO.	NAME	USED ON
53	50260-63	FORK HOUSING .....	63 to 65 - DE, DEF, DEC
	50260-66B	FORK HOUSING .....	66 to * - DE, DEC
54	50283-65	REINFORCEMENT, fork housing .....	65 - DEF, DEC
	50283-66	REINFORCEMENT, fork housing .....	66 to * - DEC
55	50303-66A	TRIM STRIP, front shield (2) .....	66 to * - DE, DEC
56	50304-66	REINFORCEMENT, shield (2) .....	66 to * - DE, DEC
57	50528-67	FLOOR MAT, right shield & floorboard .....	67 to * - DE
58	50529-67A	FLOOR MAT, left shield & floorboard <i>Ain 70</i> .....	67 to * - DE
59	50530-63	FLOOR MAT, left .....	63 & 64 - DE
60	50531-63	FLOOR MAT, right .....	63 & 64 - DE
	50532-63	FLOOR MAT, right inner .....	63 & 64 - DE
	50533-63	FLOOR MAT, right outer .....	63 & 64 - DE
61	50533-65A	FLOOR MAT, right shield & floorboard <i>VOID 69-DEC</i> .....	65 & 66 - DE, DEC; 67 to * - DEC
	50534-63	FLOOR MAT, left .....	63 & 64 - DE
62	50534-65A	FLOOR MAT, left shield & floorboard <i>VOID 69-DEC</i> .....	65 & 66 - DE, DEC; 67 to * - DEC
63	50536-63	COVER MAT .....	63 & Early 64 - DE
	50536-66	COVER MAT <i>VOID 69</i> .....	66 - DE, DEC; 67 to * - DEC
	50537-64	COVER MAT .....	Late 64 - DE
	50537-65	COVER MAT .....	65 - DE, DEF, DEC
64	57029-63	SPACER, accessory panel (2) .....	63 to 66 - DE, DEF
65	58102-49	SPACER, carry-all .....	66 - DE
66	59013-64	FRONT SPLASH GUARD .....	64 & 65 - DEF, DEC
	59013-66	FRONT SPLASH GUARD .....	66 & 67 - DEC
67	61763-63	NAME PLATE, with speed nuts .....	<del>63 to 65 - DE, DEF, DEC</del>
68	61771-66A	NAME PLATE <i>Ain 71</i> .....	66 to * - DE, DEC
69	64000-63A	CARRY-ALL, with fittings (Instrument Panel) <i>PRS... Ship below</i> .....	63 to 65 - DE
70	64000-66	CARRY-ALL, with fittings (Between Seats) .....	66 - DE
71	64003-67	CARRY-ALL, right .....	67 to * - DE
	64004-67	CARRY-ALL, left .....	67 to * - DE
72	64009-63	PAD, carry-all .....	63 to 66 - DE
73	64511-63	WELL NUT, carry-all .....	63 to 66 - DE

75

## FRAME AND REAR SUSPENSION

1	510-515	COTTER PIN, 1/16 x 1/2 (2) .....	66 to * - DEC
2	515	COTTER PIN, 1/16 x 3/4 .....	63 - DE
3	1357W	SCREW, 1/4-20 x 7/8 Phil. hd. <i>(4 or 3)</i> .....	67 to * - DE
4	2336	SCREW, 1/4-20 x 1 ctsk. hd. (64) .....	65 to * - DE
5	2544	SCREW, No. 4-36 x 3/8 rd. hd. (2) .....	65 - DEC
6	2630W	SCREW, No. 8-32 x 5/16 self-tapping rd. hd. (2) <i>VOID 71</i> .....	63 & 64 - DE
7	3201W-3202W	SCREW, 5/16-18 x 3/4 soc. hd. (2) <i>with captive lockwasher</i> .....	66 to * - DE, DEC
8	3728	BOLT, 1/4-20 x 1/2 hex. hd. (5) .....	66 to * - DE, DEC
9	3840	BOLT, 1/4-28 x 1-1/4 hex. hd. .....	65 - DEC
10	3953B	PIVOT BOLT, rear fork, 1/2-20 x 4-1/4 hex. hd. (2) .....	66 to * - DE, DEC
11	3956	BOLT, 5/16-24 x 9/16 hex. hd. (4) .....	63 to * - DE, DEF, DEC
12	3959	BOLT, 5/16-18 x 9/16 hex. hd. (2) .....	65 - DEC
13	3974HW	BOLT, 5/16-24 x 3/4 hex. hd. (2) .....	65 to * - DE
14	3986	BOLT, 5/16-24 x 27/32 hex. (used for ground) .....	63 to * - DE, DEF, DEC
15	4000	BOLT, 5/16-24 x 1 hex. hd. (4) <i>VOID late 70</i> .....	63 to * - DE, DEF
16	4014W	BOLT, 5/16-24 x 1-1/4 hex. hd. .....	63 to * - DE, DEF
17	4434W	BOLT, 3/8-24 x 3-1/4 hex. hd. (4) .....	66 to * - DE, DEC
18	5405B	CARRIAGE BOLT, 1/4-20 x 3/4 (10) .....	63 to * - DE, DEF, DEC
19	5406B	CARRIAGE BOLT, 1/4-20 x 1-1/8 (2) <i>VOID 70</i> .....	63 to * - DE, DEF
20	5927	RUBBER WASHER, 11/32 x 1-1/2 x 3/32 (13) .....	63 to * - DE, DEF
21	6030W	WASHER, 7/64 x 3/8 x 1/32 .....	65 - DEC
22	6075W	WASHER, 1/8 x 5/16 x 1/32 .....	65 - DEC
23	6255B	WASHER, 1/4 x 3/4 x 1/32 (2) .....	65 - DEC
24	6332B	WASHER, 5/16 x 15/16 x 1/16 (4) <i>VOID 70</i> .....	63 to * - DE, DEF
25	6341B	WASHER, 5/16 x 1-1/8 x 1/16 (5) .....	63 to * - DE, DEF

# FRAME AND REAR SUSPENSION



# FRAME AND REAR SUSPENSION (CONT'D)

INDEX NO.	PART NO.	NAME	USED ON
26	6440B	WASHER, 13/32 x 5/8 x 1/32 (2)	66 to * - DEC
27	6568B	WASHER, 1/2 x 13/16 x 1/8 (2)	66 to * - DE, DEC
28	6678W	WASHER, 1/4 x 1-1/2 x 3/16 (4) (not used with rear bumper)	63 to * - DE, DEF
29	6681	WASHER, 25/32 x 1-1/2 x 1/32 (nylon) (2)	66 to * - DE, DEC
30	<del>7035B</del> 7036	LOCKWASHER, 1/4 (12)	63 to * - DE, DEF, DEC
31	<del>7040</del> 7041	LOCKWASHER, 5/16 x 9/16 (2)	65 to * - DE
32	7055W	LOCKWASHER, 5/16 int. tooth (2) <i>Ship 320W</i>	66 to * - DE, DEC
33	7060	LOCKWASHER, 1/2 (2)	66 to * - DE, DEC
34	7115	LOCKWASHER, No. 8 int. tooth (2)	63 & 64 - DE
35	7127	LOCKWASHER, 5/16 int. tooth (6) <i>VOID 70 DE</i>	63 to * - DE, DEF
36	7206W	LOCKWASHER, No. 4 ext. tooth (2)	65 - DEC
37	7232	LOCKWASHER, 5/16 ext. tooth (2)	65 to * - DEC
38	7564	NUT, No. 4-36 x 3/32 x 1/4 hex. (2)	65 - DEC
39	7572W	LOCK NUT, 1/2-20 (2)	66 to * - DE, DEC
40	7683	LOCK NUT, 1/4-28	65 - DEC
41	7685	NUT, 1/4-20 x 9/32 x 7/16 hex. (12)	63 to * - DE, DEF
42	7686	LOCK NUT, 1/4-20 (4)	66 to * - DE
43	7727	NUT, 5/16-24 Flexloc (4)	63 to * - DE, DEF, DEC
44	7735W	ACORN NUT, 5/16-24 (3)	63 to * - DE, DEF
45	7739	LOCK NUT, 5/16-18	63 to * - DE
46	7748W	NUT, 5/16-18 x 17/64 x 1/2 hex. (2)	65 to * - DEC
47	7775	LOCK NUT, 3/8-24 (4)	66 to * - DE, DEC
48	7908	NUT, 1/2-20 x 5/16 x 13/16 hex. (2)	66 to * - DE, DEC
49	10010	CLIP, body cushion (4)	63 to * - DE, DEF
50	<del>11419</del> 11418	GROMMET, bag rack (2) <i>VOID 70 then ship 11417</i>	65 to * - DE
51	31067-63	STEEL WASHER, rear bumper mounting (at sides) (2) <i>VOID 69</i>	63 to * - DE, DEF
	44909-63	REAR BUMPER ASSEMBLY, complete	63 to * - DE, DEF
52	44911-63	REAR BUMPER BRACKET (2)	63 to * - DE, DEF
53	44912-63	CARRIAGE BOLT, 5/16-18 x 1-1/4 (7)	63 to * - DE, DEF
54	44913-63A	BUMPER, left rear	63 to * - DE, DEF
55	44914-63	BUMPER, center rear	63 to * - DE, DEF
56	44915-63A	BUMPER, right rear	63 to * - DE, DEF
57	44917-63	SPACER, rear bumper mounting (at sides) (2)	63 to * - DE, DEF
58	47018-63	FRAME, <u>complete</u>	63 to 65 - DE, DEF
	47018-66	FRAME	66 - DE
	47018-67A	FRAME <i>VOID 70</i>	67 to * - DE
	47019-65	FRAME	65 - DEC
	47019-66A	FRAME <i>VOID 69</i>	66 to * - DEC
59	47300-66A	BUMPER PLATE (2)	66 to * - DE, DEC
60	<del>47461-66</del>	REAR FORK, complete	66 & 67 - DE, DEC
	47461-66A	REAR FORK, complete	68 - DE, DEC
61	47524-66	BUSHING, rear fork (2)	66 to * - DE, DEC
62	49404-61	SPRING CLIP, body support	65 - DEC
63	50125-66	SUPPORT BRACKET, tunnel <i>VOID 69</i>	66 - DE, DEC; 67 to * - DEC
64	50240-66	FRAME REAR APRON	66 to * - DEC
65	50243-66	BODY SUPPORT, left <i>VOID 69 DEC</i>	66 - DE, DEC; 67 to * - DEC
	50243-67	BODY SUPPORT, left	67 to * - DE
66	50244-65	FRAME REAR APRON	65 - DEC
67	50244-66	BODY SUPPORT, right <i>VOID 69 DEC</i>	66 - DE, DEC; 67 to * - DEC
	50244-67	BODY SUPPORT, right	67 to * - DE
68	50270-63A	PAIR OF BODY HINGES	63 & 64 - DE
	50271-65	BODY HINGE (2)	65 to * - DE, DEF <i>65 thru 69</i>
69	50273-63	BODY CUSHION, front upper	63 & 64 - DE
70	50275-63	BODY CUSHION (2)	63 to 65 - DE, DEF
	50275-66	BODY CUSHION (2)	66 to * - DE, DEC
71	50277-67	REINFORCEMENT, body support (2)	67 to * - DE
72	50284-66	SPRING WASHER (2) <i>VOID 71</i>	66 to * - DE, DEC
73	50300-65	BODY SUPPORT ROD	65 - DEC
74	<del>50514-63B</del>	FLOOR PANEL, left	63 to 66 - DE, DEF
	50514-63C	FLOOR PANEL, left <i>VOID 69</i>	67 to * - DEC
	<del>50514-67</del>	FLOOR PANEL, left <i>ORIS</i>	67 to * - DE
	50514-67A	FLOOR PANEL, left <i>69-DEC</i>	68 - DE
75	50519-63A	FLOOR PANEL, right <i>VOID 69</i>	63 to 66 - DE, DEF; 67 to * - DEC
	50519-67A	FLOOR PANEL, right <i>69-DEC VOID 70</i>	67 to * - DE
76	53482-63	RUBBER TUBE, bag holder (2)	63 & 64 - DE
77	53486-63A	CORD, bag holder <i>VOID 71</i>	63 to * - DE
78	53487-65	HOOK, bag holder (2)	65 to * - DE

## FRAME AND REAR SUSPENSION (CONT'D)

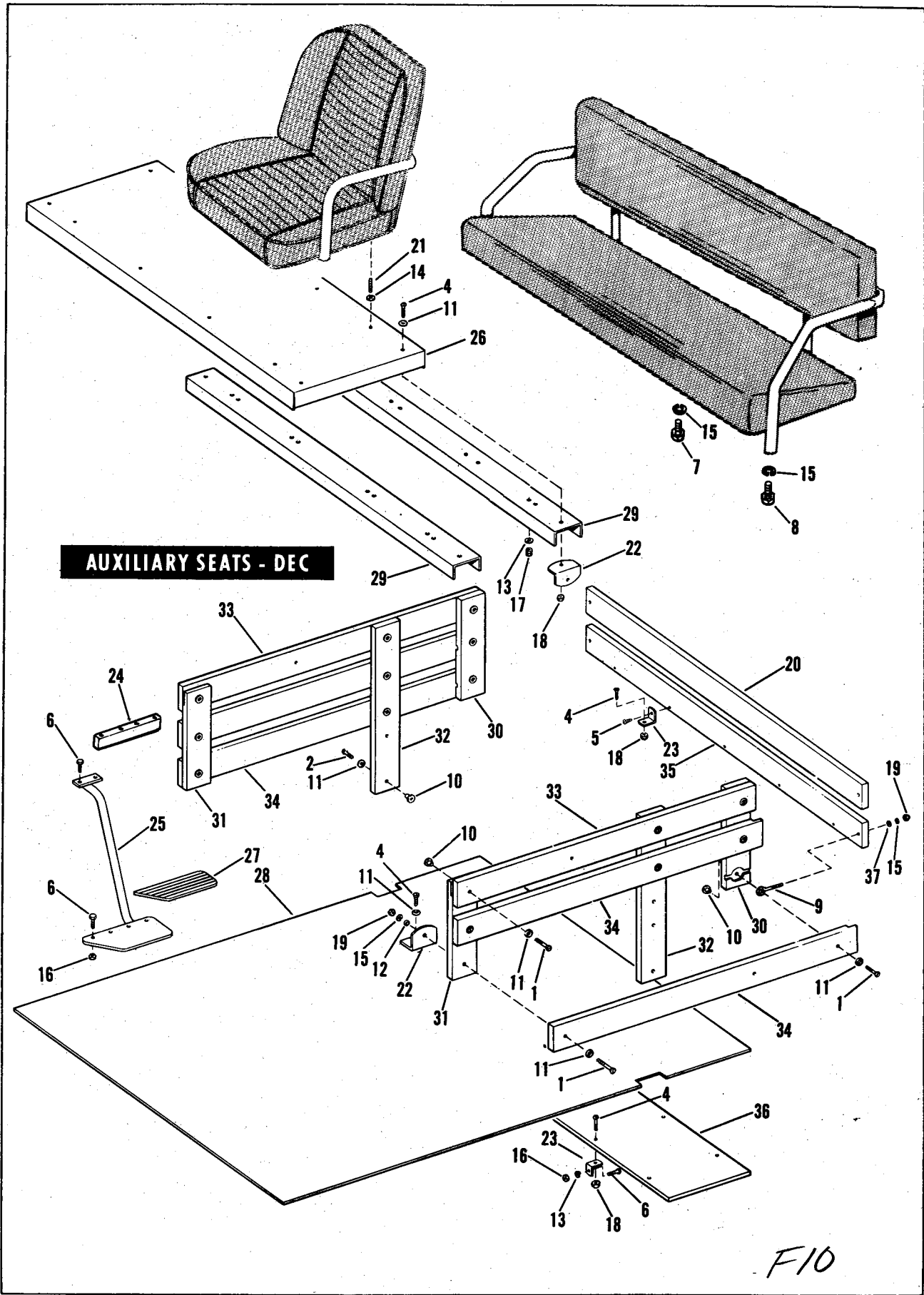
INDEX NO.	PART NO.	NAME	USED ON
79	53488-65	BAG HOLDER (hook type) <i>(less hooks)</i>	65 & 66 - DE
	53488-67	BAG HOLDER (hook type) <i>(less hooks)</i>	67 to * - DE
80	53489-65	BRACKET, bag holder (2)	65 & 66 - DE
81	53491-65	REINFORCEMENT (4)	65 to * - DE
82	53494-63	BAG HOLDER, <del>complete</del>	63 & 64 - DE
83	53494-65	BAG HOLDER <i>to R. (less cord)</i>	65 & 66 - DE
	53494-67	BAG HOLDER <i>(less cord)</i>	67 to * - DE
84	53495-63A	CORD CLAMP, bag holder	63 to * - DE
85	53496-67	BRACKET, bag holder	67 to * - DE
86	54514-66	SHOCK ABSORBER	66 to * - DE, DEC
87	54524-66	LOWER BRACKET, shock absorber	66 to * - DE, DEC
88	54562-66 <i>A</i>	REAR SPRING (2) <i>- 66 only</i>	66 to * - DEC
	54564-66	REAR SPRING (2)	66 to * - DE
89	83003-32	RUBBER BUMPER (2)	66 to * - DE, DEC
90	85210-42A	RUBBER BUSHING (2)	66 to * - DE, DEC
91	85213-42	SHOULDER BOLT, shock absorber (2)	66 to * - DE, DEC

**NOTE:** Asterisk (\*) indicates part is used on 1968 models (see GENERAL INFORMATION)



# SEATS

INDEX NO.	PART NO.	NAME	USED ON
1	1369	SCREW, 1/4-20 x 11/16 fil. hd. (4)	67 to * - DEC
2	1375	SCREW, 1/4-20 x 13/16 Phil. hd. (4)	67 to * - DEC
3	1761W	SCREW, No. 10-24 x 1/2 ctsk. hd. (8)	67 to * - DEC
4	2758	SCREW, 1/4-20 x 1/2 Phil. hd. (8)	67 to * - DEC
5	2761W	SCREW, 1/4-28 x 5/8 Phil. hd. (8)	63 to 66 - DE, DEF, DEC; 67 to * - DE
6	2766W	SCREW, 1/4-28 x 5/8 Phil. hd. (4)	VOID 70 65 & 66 - DE, DEF, DEC; 67 to * - DE
	2769W	SCREW, handrails, 5/16-24 x 5/8 Phil. hd. (4)	67 to * - DE
7	2843	SCREW, 5/16-24 x 1-3/16 rd. hd. (2)	VOID 70 67 to * - DEC
8	3002W	WOOD SCREW, No. 14 x 3/4 rd. hd. (4)	67 to * - DEC
9	3974HW	BOLT, 5/16-18 x 3/4 hex. hd. (2)	67 to * - DEC
10	4072	BOLT, 5/16-24 x 2-5/8 hex. hd. (2)	67 to * - DEC
11	5947W	SPACER, back rest support (2)	67 to * - DEC
12	6182W	WASHER, No. 10 x 7/16 x 1/32 (8)	67 to * - DEC
13	6255B	WASHER, seat stud, 1/4 x 3/4 x 1/32 (8)	63 to 66 - DE, DEF, DEC; 67 to * - DE
14	6261	WASHER, 1/4 x 3/4 x 1/8 (rubber) (10)	63 to * - DE, DEF
15	6322B	WASHER, 5/16 x 11/16 x 1/32 (2)	67 to * - DEC
16	7041	LOCKWASHER, 5/16 (6)	67 to * - DEC
17	7230	LOCKWASHER, 1/4 ext. tooth (4)	67 to * - DEC
18	7624	LOCK NUT, No. 10-24 (8)	67 to * - DEC
19	7683	NUT, 1/4-28 Flexloc (4)	63 to * - DE, DEF, DEC
20	31405-65A	BEVERAGE HOLDER KIT	VOID 70 63 to * - DE
21	31411-65	CUP, beverage holder (2)	VOID 70 USE 70 63 to * - DE
22	52033-66	HINGE, seat mounting	67 to * - DEC
23	52045-63	SEAT FRAME, left	63 to Early 65 - DE, DEF, DEC
	52046-63	SEAT FRAME, right	63 to Early 65 - DE, DEF, DEC
24	52049-63A	SEAT BACK PAD (white)	63 to 66 - DE, DEF, DEC
	52049-63B	SEAT BACK PAD (white)	67 to * - DE
25	52051-63B	SEAT CUSHION (white)	63 to 66 - DE, DEF, DEC
	52051-63C	SEAT CUSHION (white)	67 to * - DE
	52054-65A	CANVAS SEAT COVER	VOID 70 63 to * - DE, DEF, DEC
26	52064-66	SEAT BACK PAD (black)	66 - DEC
27	52064-67	SEAT BACK PAD	67 to * - DEC
28	52065-66A	SEAT CUSHION (black)	66 - DEC
29	52065-67	SEAT CUSHION	67 to * - DEC
30	52088-63	SEAT SHELL	Late 65 & 66 - DE, DEC
	52088-65A	SEAT SHELL	67 to * - DE
31	52088-67	PLATE, back pad	67 to * - DEC
32	52106-63	STUD, seat bottom, 1/4-28 x 1-3/4 (4)	VOID LATE 68 63 to 66 - DE, DEF, DEC; 67 to * - DE
33	52107-63	STUD, seat back, 1/4-28 x 1-1/4	bottom late 68 63 to 66 - DE, DEF, DEC; 67 to * - DE
	52134-63	SEAT CUSHION COVER	63 to * - DE, DEF, DEC
	52135-63	BACK CUSHION COVER	63 to * - DE, DEF, DEC
34	52190-67	SUPPORT, back rest	67 to * - DEC
35	52632-65A	HAND RAIL, left	Late 65 & 66 - DE, DEF, DEC; 67 to * - DE
36	52632-67	HANDRAIL, left	VOID 69 67 to * - DEC
37	52633-65	HAND RAIL, right	Late 65 & 66 - DE, DEF, DEC
	52633-65A	HAND RAIL, right	67 to * - DE
38	52633-67	HANDRAIL, right	VOID 69 67 to * - DEC
39	64009-63	PAD, seat frame back (2 per seat)	63 to * - DE, DEF



**AUXILIARY SEATS - DEC**

F10



## AUXILIARY SEATS - DEC

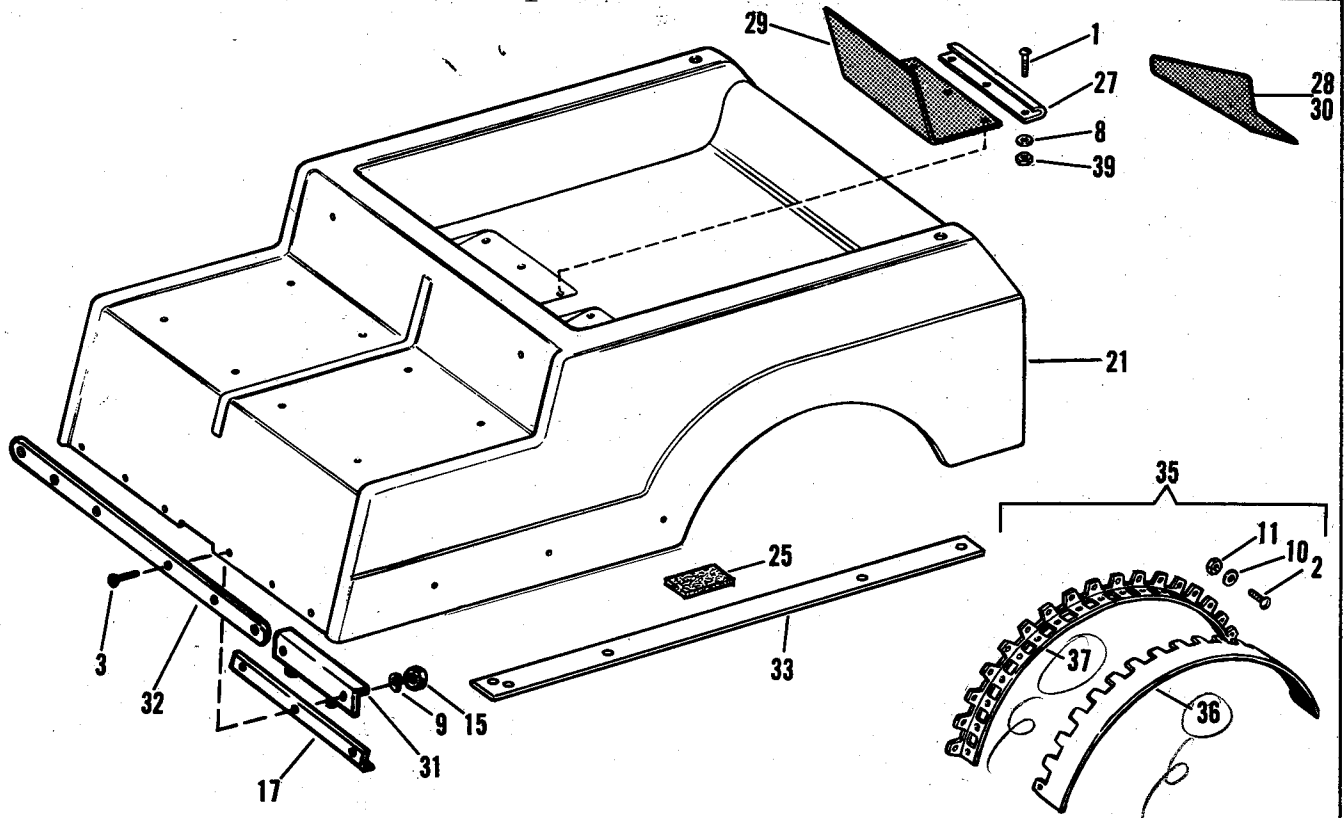
INDEX NO.	PART NO.	NAME	USED ON
1	1078W	SCREW, 1/4-20 x 1-5/8 ctsk. hd. (4)	66 to * - DEC
2	2336	SCREW, 1/4-20 x 1-1/8 ctsk. hd. (4)	66 to * - DEC
3	2352	SCREW, 1/4-20 x 2 ctsk. hd. (2)	66 to * - DEC
4	2776W	SCREW, 1/4-20 x 3/4 ctsk. hd. (14)	66 to * - DEC
5	3002W	WOOD SCREW, No. 14 x 3/4 rd. hd. (9)	66 to * - DEC
6	3742W	SCREW, 1/4-28 x 5/8 hex. hd. (17)	66 to * - DEC
7	3787	BOLT, 1/4-20 x 3/4 hex. (6)	67 to * - DEC
8	3974HW	BOLT, seat support lower, 5/16-24 x 3/4 hex. (4)	67 to * - DEC
9	5482	EYE BOLT (4)	66 to * - DEC
10	5486W	TEE NUT, 1/4-20 (20)	66 - DEC
11	6102	CUP WASHER, 1/4 x 11/16 x 1/16 (12)	66 to * - DEC
12	6228W	WASHER, 1/4 x 1/2 x 1/16 (2)	66 to * - DEC
13	6255B	WASHER, 1/4 x 3/4 x 1/32 (4 per seat)	66 - DEC
14	6261	WASHER, 1/4 x 3/4 x 1/8 (rubber) (4 per seat)	66 - DEC
15	7036	LOCKWASHER, 1/4 (10)	66 to * - DEC
16	7682	LOCK NUT, 1/4-28 x 3/16 thick (13)	66 to * - DEC
17	7683	LOCK NUT, 1/4-28 x 5/16 thick (8)	66 to * - DEC
18	7686	LOCK NUT, 1/4-20 (14)	66 to * - DEC
19	7737W	ACORN NUT, 1/4-20 (4)	66 to * - DEC
20	50294-65	UPPER RAIL, tailgate	66 to * - DEC
21	52107-63	STUD, 1/4-28 x 1-1/4 (4 per seat)	66 to * - DEC
22	52145-66A	BRACKET, seat support channels (6)	66 to * - DEC
23	52147-66	BRACKET, floorboard mounting (10)	66 to * - DEC
24	52152-66	SPACER, step	Early 66 - DEC
25	52157-66	RIGHT STEP	66 to * - DEC
	52159-66	LEFT STEP	66 to * - DEC
26	52161-66	COVER, seat mounting channels	66 - DEC
27	52163-66	STEP PAD, right	66 to * - DEC
	52165-66	STEP PAD, left	66 to * - DEC
28	52167-66	FLOORBOARD COVERING	66 to * - DEC
29	52169-66	CHANNEL, seat mounting (2)	66 - DEC
	52169-67	CHANNEL, seat mounting (2)	67 to * - DEC
	52171-66B	SET OF AUXILIARY SEATS WITH FITTINGS	66 to * - DEC
30	52173-66	REAR CORNER POST (2)	66 to * - DEC
31	52175-66A	FRONT CORNER POST (2)	66 to * - DEC
32	52177-66	CENTER POST (2)	66 to * - DEC
33	52179-66A	SIDE RAIL, top (2)	66 to * - DEC
34	52181-66A	SIDE RAIL, middle and lower (4)	66 to * - DEC
35	52183-66	LOWER RAIL, tail gate	66 to * - DEC
36	52187-66	FLOORBOARD	66 to * - DEC
37	59845-47	WASHER, 9/32 x 3/4 x 1/4 (4)	66 to * - DEC

VOID 71

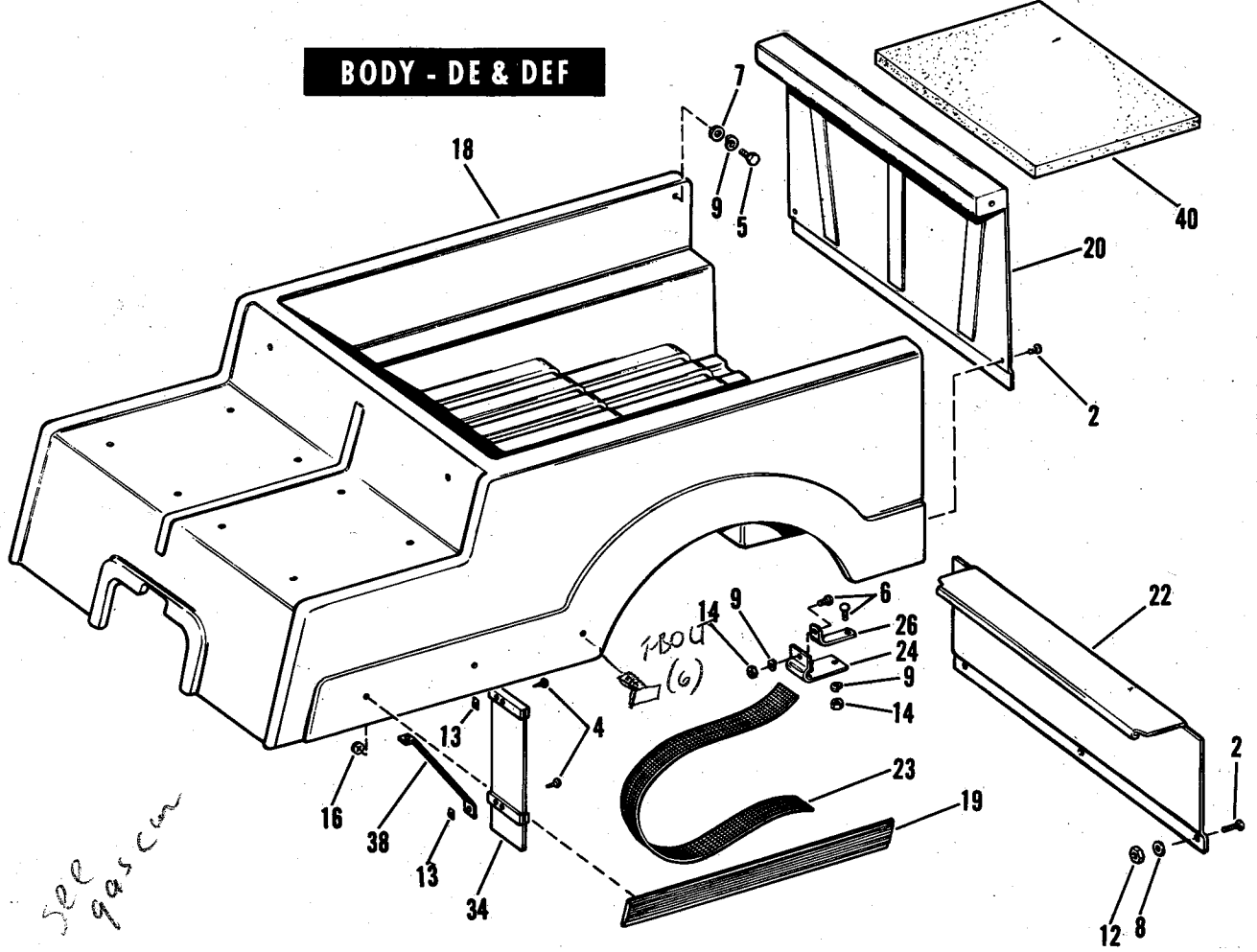


## AUXILIARY SEAT - DEF

INDEX NO.	PART NO.	NAME	USED ON
1	1762W	SCREW, No. 10-24 x 5/8 ctsk. hd. (4).....	65 - DEF
2	1872W	SCREW, 1/4-20 x 5/8 ctsk. hd. (5).....	65 - DEF
3	2336	SCREW, 1/4-20 x 1-1/8 ctsk. hd. (2).....	65 - DEF
4	2345	SCREW, 1/4-20 x 1-1/2 ctsk. hd. (4).....	65 - DEF
5	2404B	SCREW, 5/16-24 x 27/32 ctsk. hd. (2).....	65 - DEF
6	2630W	SCREW, No. 8-32 x 5/16 self-tapping rd. hd. (2).....	65 - DEF
7	2638W	SCREW, No. 8-32 5/8 rd. hd. (4).....	65 - DEF
8	2765W	SCREW, 1/4-20 x 5/8 rd. hd. (2).....	65 - DEF
9	2791W	SCREW, 1/4-20 x 1-1/4 rd. hd. (2).....	65 - DEF
10	3787	BOLT, 1/4-20 x 3/4 hex. hd. (2).....	65 - DEF
11	3974HW	BOLT, 5/16-24 x 3/4 hex hd. (3).....	65 - DEF
12	6102	CUP WASHER, 9/32 x 11/16 x 1/16 (6).....	65 - DEF
13	6187W	WASHER, No. 10 x 9/16 x 1/16 (4).....	65 - DEF
14	6189W	WASHER, No. 8 x 13/32 x 1/32 (9).....	65 - DEF
15	6240B	WASHER, 1/4 x 9/16 x 1/16 (2).....	65 - DEF
16	6245B	WASHER, 1/4 x 5/8 x 1/16 (2).....	65 - DEF
17	<del>6320B</del> 6319HW	WASHER, 5/16 x 11/16 x 1/16 (2).....	65 - DEF
18	6329W	WASHER, 5/16 x 7/8 x 3/32 (4).....	65 - DEF
19	6678W	WASHER, 5/16 x 1-1/2 x 3/16.....	65 - DEF
20	7025W	LOCKWASHER, No. 10 (4).....	65 - DEF
21	7036	LOCKWASHER, 1/4 (3).....	65 - DEF
22	7040 7041	LOCKWASHER, 5/16 (2).....	65 - DEF
23	7115	LOCKWASHER, No. 8 int. tooth (4).....	65 - DEF
24	7608	NUT, No. 8-32 x 1/8 x 5/16 hex. (4).....	65 - DEF
25	7620W	NUT, No. 10-24 x 1/8 x 3/8 hex. (4).....	65 - DEF
26	7689W	NUT, 1/4-20 x 3/16 x 1/2 hex. (2).....	65 - DEF
27	7727	NUT, 5/16-24 Flexloc.....	65 - DEF
28	7748W	NUT, 5/16-18 x 17/64 x 1/2 hex. (2).....	65 - DEF
29	44912-63	CARRIAGE BOLT, footboard (6).....	65 - DEF
30	50281-64	PARTITION, body.....	65 - DEF
31	50282-64	BRACKET, partition (2).....	65 - DEF
32	50525-64	REAR FOOTBOARD.....	65 - DEF
	50540-65	COVERING, rear footboard.....	65 - DEF
33	52043-64	SEAT FRAME, auxiliary seat.....	65 - DEF
34	52052-64	SEAT BACK PAD, auxiliary seat.....	65 - DEF
35	52053-64	SEAT CUSHION, auxiliary seat.....	65 - DEF
36	52111-64	PLATE, seat support (2).....	65 - DEF
37	52113-64	BRACKET, seat pivot, right - auxiliary seat.....	65 - DEF
	52114-64	BRACKET, seat pivot, left - auxiliary seat.....	65 - DEF
38	52121-64	BODY LATCH.....	65 - DEF
39	52122-64	SEAT LATCH.....	65 - DEF
	52140-64	AUXILIARY REAR SEAT KIT.....	65 - DEF
40	52636-64	HAND RAIL, left, auxiliary seat.....	65 - DEF
41	52637-64	HAND RAIL, right, auxiliary seat.....	65 - DEF



**BODY - DE & DEF**



*see 995 cm*

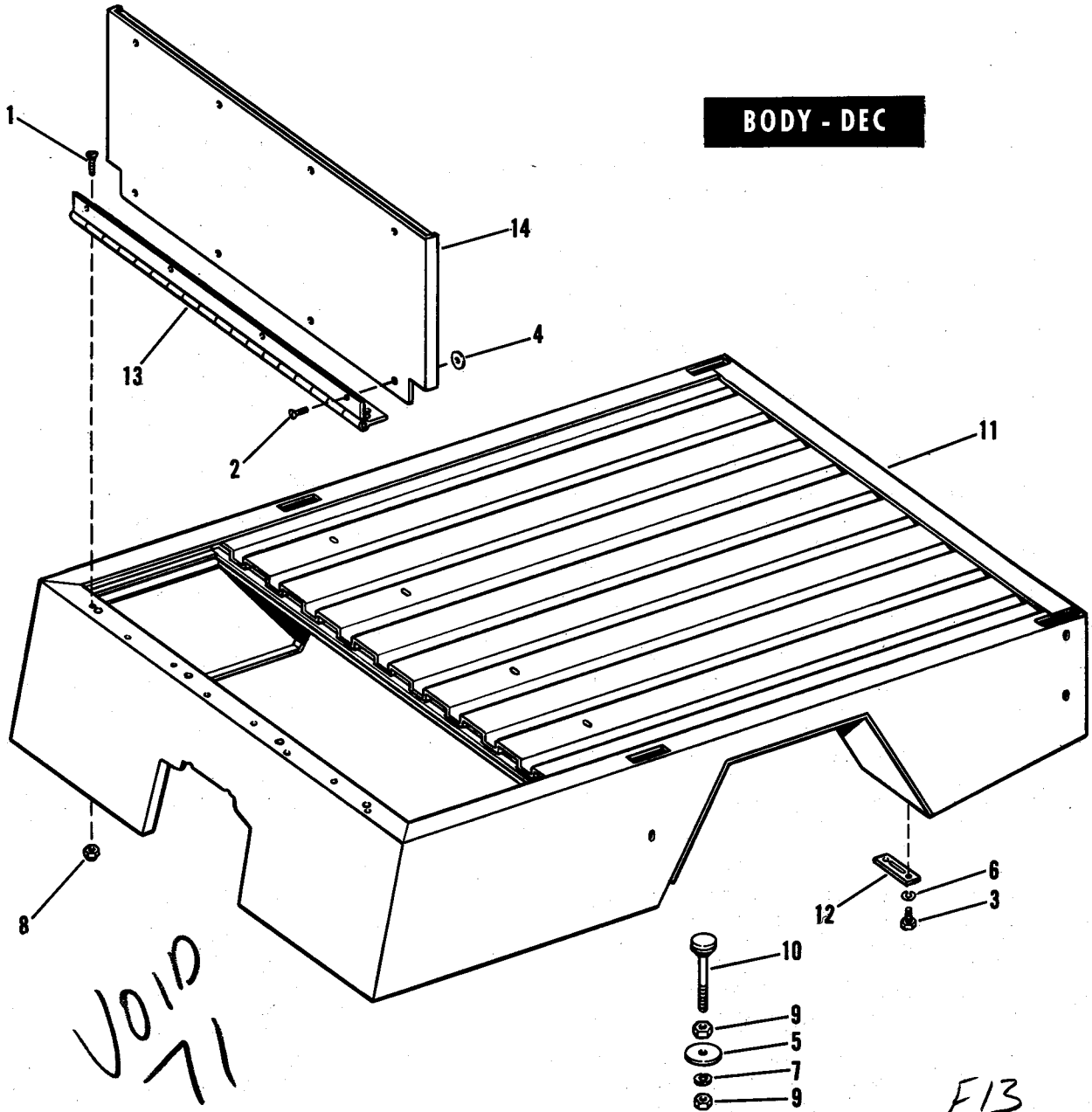
*FIG*

# BODY - DE, DEF

INDEX NO.	PART NO.	NAME	USED ON
1	1661B	SCREW, No. 6-32 x 1/2 ctsk. hd. (6)	65 to * - DE
2	1719W	SCREW, No. 8-32 x 5/8 Phil. hd. (11)	65 to * - DE, DEF
3	2437W	SCREW, 5/16-24 x 1 Phil. hd. (6)	67 to * - DE
4	2676C	SCREW, No. 10-24 x 5/8 self-tapping Phil. hd. (4)	63 to 66 - DE, DEF
5	2824W	SCREW, 5/16-24 x 9/16 fil. hd. (2)	65 - DEF
	4010	BOLT, 5/16-24 x 1-3/16 hex. hd. (2)	63 & 64 - DE
6	5425W	CARRIAGE BOLT, 5/16-18 x 11/16 (4)	63 to * - DE, DEF
7	6107B	WASHER, 5/16 x 11/16 x 1/8 (2)	63 & 64 - DE
8	6189W	WASHER, No. 8 x 13/32 x 1/32 (11)	63 to * - DE
89	7040	LOCKWASHER, 5/16	63 to * - DE, DEF
810	7041	LOCKWASHER, No. 8 int. tooth (6)	63 to * - DE, DEF
10	7115	NUT, No. 8-32 x 1/8 x 5/16 hex. (6)	65 to * - DE, DEF
12	7609W	LOCK NUT, No. 8-32 (5)	63 to 65 - DE
13	7613A	SPEED NUT, No. 8 (4)	63 to 66 - DE, DEF
14	7748W	NUT, 5/16-18 x 17/64 x 1/2 hex. (6)	63 to 65 - DE, DEF
15	7753	NUT, 5/16-24 x 17/64 x 1/2 hex. (6)	67 to * - DE
16	8126	SPEED NUT, No. 10 (6)	63 to * - DE, DEF
17	50241-67	BODY SUPPORT, front (2)	67 to * - DE
18	50246-63	BODY, less tailgate	63 to 65 - DE, DEF
19	50252-63	BODY TRIM, right	63 to * - DE, DEF
	50254-63	BODY TRIM, left	63 to * - DE, DEF
20	50263-63	TAIL GATE	63 & 64 - DE
21	50264-66	GOLF CAR BODY	66 - DE
	50264-67B	GOLF CAR BODY	67 to * - DE
22	50267-64A	TAIL GATE	65 - DE, DEF
23	50272-63	BODY STRAP (2)	63 to 65 - DE, DEF
24	50274-63	BODY STRAP BRACKET (2)	63 to 65 - DE, DEF
25	50275-67	PAD, reinforcement strap	67 to * - DE
26	50276-63	REINFORCEMENT, body strap bracket (2)	63 to 65 - DE, DEF
27	50278-65	MOLDING STRIP, bag insert covering (2)	65 & 66 - DE
28	50278-67A	COVERING, bag insert, right	67 to * - DE
29	50279-65	COVERING, bag insert (2)	65 & 66 - DE
30	50279-67A	COVERING, bag insert, left	67 to * - DE
	50280-63A	GOLF CAR CANVAS COVER	63 to * - DE
	50281-67	GOLF CAR CANVAS COVER (for models with steering wheel)	Late 67 to * - DE
31	50340-67	REINFORCEMENT BRACKET, body front	67 to * - DE
32	50345-67A	REINFORCEMENT STRIP, body front	67 to * - DE
33	50346-67A	REINFORCEMENT STRAP, body (2)	67 to * - DE
34	59598-63	FRONT SPLASH GUARD (2)	63 to 66 - DE, DEF
35	59607-64	REAR SPLASH GUARD KIT	63 to * - DE, DEF
36	59618-64	REAR SPLASH GUARD (2)	63 to * - DE, DEF
37	59723-64	REINFORCEMENT, rear splash guard (2)	63 to * - DE, DEF
38	59794-63A	BRACKET, front splash guard (2)	63 to 66 - DE, DEF
39	60031-61	LOCK NUT, No. 6-32 (6)	65 to * - DE
40	84950-63	FLOOR PAD	63 & 64 - DE

NOTE: Asterisk (\*) indicates part is used on 1968 models (see GENERAL INFORMATION)

**BODY - DEC**



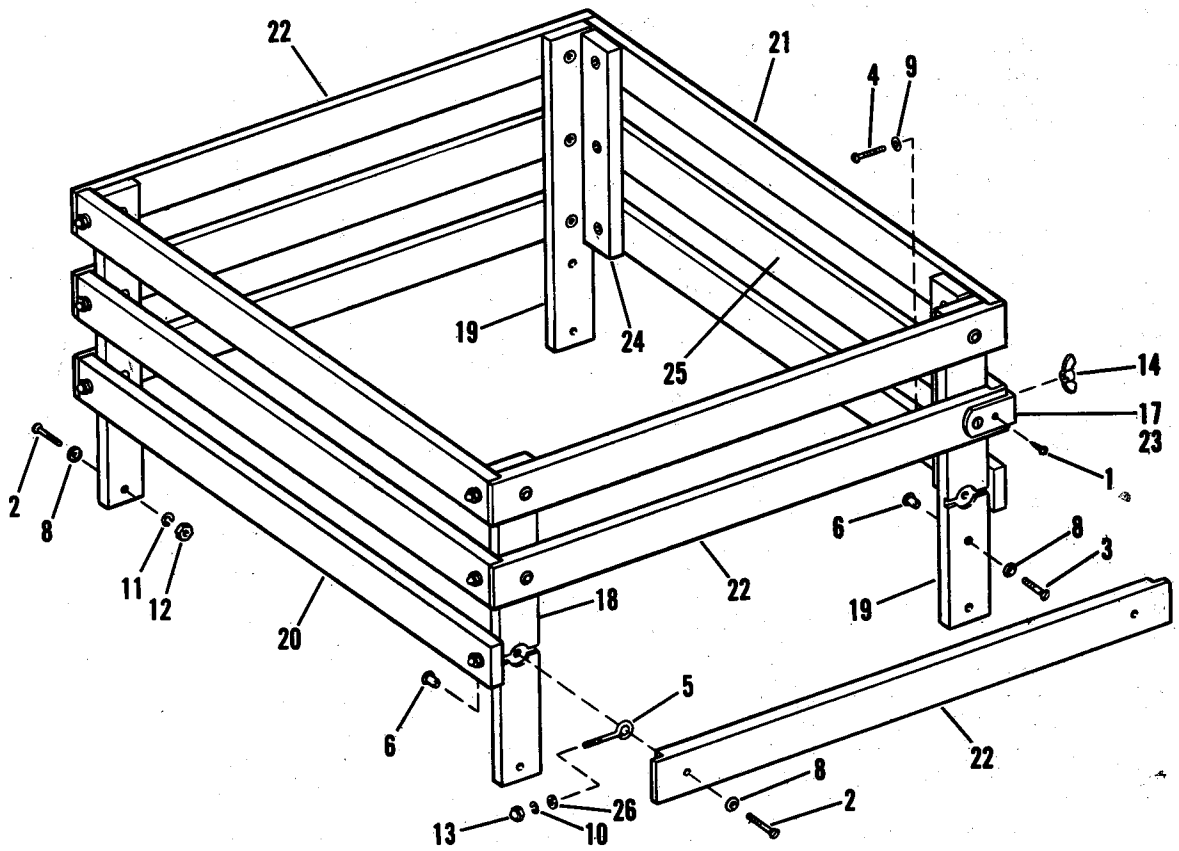
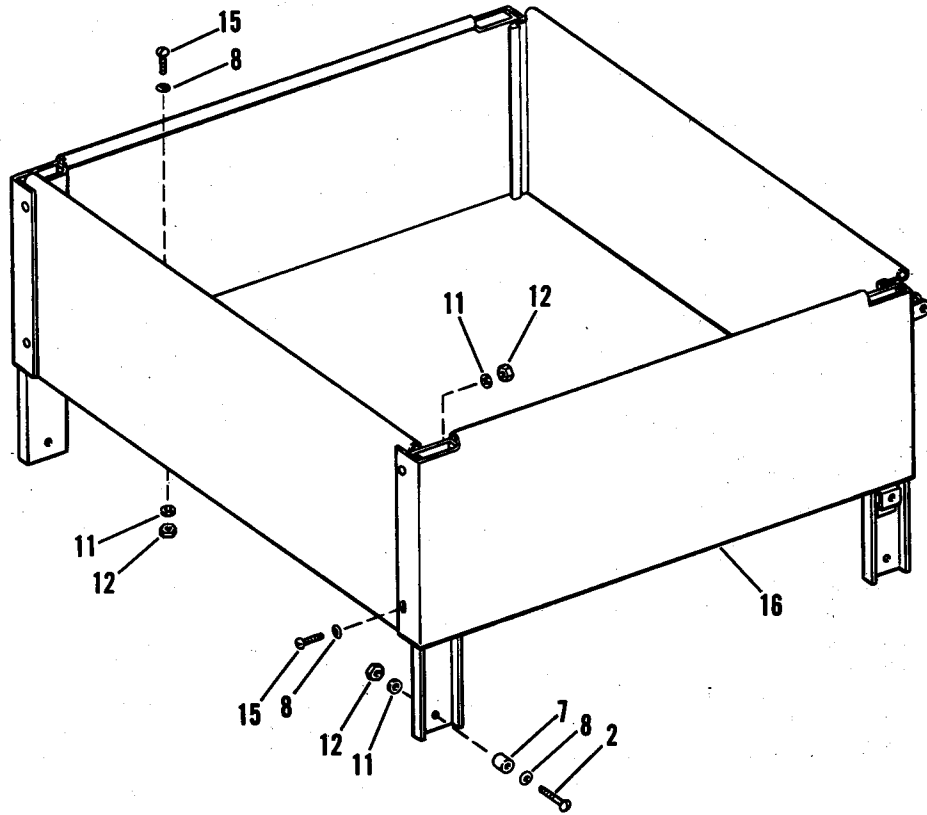
**BODY - DEC**

**INDEX PART NO. NO.**

**NAME**

**USED ON**

INDEX PART NO.	NO.	NAME	USED ON
1	2663	SCREW, No. 10-32 x 1/4 rd. hd. (8)	66 to * - DEC
2	2766W	SCREW, seat hinge, 1/4-28 x 5/8 Phil. hd. (4)	66 to * - DEC
3	3991	BOLT, 5/16-18 x 7/8 hex. hd. (4)	65 - DEC
4	6261	WASHER, 1/4 x 3/4 x 1/8 (rubber) (4)	66 to * - DEC
5	6605B	WASHER, 1/2 x 1-3/4 x 3/16 (2)	65 - DEC
	7030	LOCKWASHER, seat hinge, 1/4 ext. tooth (4)	66 to * - DEC
6	7041	LOCKWASHER, 5/16 (4)	65 - DEC
7	7060	LOCKWASHER, support stud, 1/2 (2)	65 - DEC
8	7626W	LOCK NUT, No. 10-32 (8)	66 to * - DEC
9	7908	JAM NUT, 1/2-20 hex. (2)	65 - DEC
10	50199-65	BODY SUPPORT STUD, with pad (2)	65 - DEC
11	50242-65A	BODY FLATBED	65 - DEC
	50242-66A	BODY FLATBED	66 to * - DEC
12	50274-65	BODY STRAP BRACKET (2)	65 - DEC
13	52033-66	SEAT HINGE	66 to * - DEC
14	52037-66	PLATE, seat mounting	66 - DEC



**STAKE BODY & CARGO BOX**

F14

## STAKE BODY AND CARGO BOX

INDEX NO.	PART NO.	NAME	USED ON
1	1066W	WOOD SCREW, No. 8-15 x 3/4 rd. hd. (2)	65 to * - DEC
2	1078W	SCREW, 1/4-20 x 1-5/8 ctsk. hd. (6)	65 to * - DEC
3	2776W	SCREW, 1/4-20 x 7/8 ctsk. hd. (2)	65 to * - DEC
4	2791W	SCREW, 1/4-20 x 1/4 rd. hd. (2)	65 to * - DEC
5	5482	EYE BOLT, 1/4-20 (6)	65 to * - DEC
6	5486W	TEE NUT, 1/4-20 (22)	65 to * - DEC
7	5903	SPACER, cargo box mounting (4)	65 to * - DEC
8	6102	CUP WASHER (22)	65 to * - DEC
9	6228W	WASHER, 1/4 x 1/2 x 1/16 (2)	65 to * - DEC
10	7036	LOCKWASHER, 1/4 (6)	65 to * - DEC
11	7229W	LOCKWASHER, 1/4 int. - ext. tooth (6)	65 to * - DEC
12	7689W	NUT, 1/4-20 x 3/16 x 1/2 hex. (17)	65 to * - DEC
13	7737W	ACORN NUT, 1/4-20 (6)	65 to * - DEC
14	8119W	WING NUT, (2)	65 to * - DEC
15	29632-62	SCREW, 1/4-20 x 5/8 ctsk. hd. (17)	65 to * - DEC
16	50247-65	CARGO BOX AND FITTINGS <i>VOID 69</i>	65 to * - DEC
17	50289-65	TAIL GATE BRACKET, right	65 to * - DEC
	50290-65	STAKE BOX AND FITTINGS <i>VOID 69</i>	65 to * - DEC
18	50292-65	FRONT CORNER POST (2)	65 to * - DEC
19	50293-65	REAR CORNER POST (2)	65 to * - DEC
20	50294-65	FRONT RAIL (3)	65 to * - DEC
21	50295-65	TAIL GATE RAIL (2)	65 to * - DEC
22	50296-65	SIDE RAIL (6) <i>VOID 69</i>	65 to * - DEC
23	50297-65	TAIL GATE BRACKET, left	65 to * - DEC
24	50298-65	TAIL GATE SUPPORT (2)	65 to * - DEC
25	50299-65	TAIL GATE RAIL, center	65 to * - DEC
26	59845-47	SPACER, eye bolt (6)	65 to * - DEC

VOID  
71

### CAB

1	1202W	SCREW, No. 10-32 x 1/2 rd. hd. (4)	66 to * - DEC
2	1420	SCREW, 1/4-20 x 2 Phil. hd. (2)	66 to * - DEC
3	1719W	SCREW, No. 8-32 x 5/8 Phil. hd. (14)	66 to * - DEC
4	2065W	SCREW, No. 4-40 x 1/2 Phil. hd. (2) <i>VOID 71</i>	66 to * - DEC
5	2336	SCREW, 1/4-20 x 1-1/8 ov. hd. (2)	66 to * - DEC
6	2586	SCREW, No. 6-32 x 1/2 self-tapping rd. hd. (3)	66 to * - DEC
7	2635W	SCREW, No. 8-32 x 1/2 rd. hd.	66 to * - DEC
8	2643	SCREW, No. 8-32 x 1-1/4 Phil. hd. (4)	66 to * - DEC
9	2766W	SCREW, 1/4-28 x 5/8 Phil. hd. (12)	66 to * - DEC
10	2836W	SCREW, fork housing, 5/16-18 x 7/8 Phil. hd.	66 to * - DEC
11	3728	BOLT, 1/4-20 x 1/2 hex. hd. (4)	66 to * - DEC
12	3787	BOLT, 1/4-20 x 3/4 hex. hd. (8)	66 to * - DEC
13	3874B	BOLT, 1/4-28 x 2-1/4 hex. hd. (2)	66 to * - DEC
	4380W	BOLT, fork turn stop, 3/8-24 x 2 hex. hd. (2)	66 to * - DEC
14	5486W	TEE NUT, stake body (2)	66 to * - DEC
15	5935	SPACER, back rest (8)	67 to * - DEC
16	5957W	SPACER, cargo box (2)	66 to * - DEC
17	6030W	WASHER, 7/64 x 3/8 x 1/32 (2) <i>VOID 71</i>	66 to * - DEC
18	6102	CUP WASHER (2)	66 to * - DEC
19	6182W	WASHER, No. 10 x 7/16 x 1/32 (3)	66 to * - DEC
20	6187W	WASHER, No. 10 x 9/16 x 1/16	66 to * - DEC
21	6189W	WASHER, No. 8 x 13/32 x 1/32 (17)	66 to * - DEC
22	6228W	WASHER, 1/4 x 1/2 x 1/16 (8)	67 to * - DEC
23	6242W	WASHER, 1/4 x 9/16 x 1/32 (23)	66 to * - DEC
24	6253B W	WASHER, 17/64 x 3/4 x 1/16 (4)	66 to * - DEC
25	6255B	WASHER, 1/4 x 3/4 x 1/32	66 to * - DEC
26	6261	WASHER, 1/4 x 3/4 x 1/8 (rubber) (4)	66 to * - DEC
27	<del>6270</del> 6319W	WASHER, 5/16 x 11/16 x 1/16	66 to * - DEC
28	7036	LOCKWASHER, 1/4 (8)	67 to * - DEC
29	<del>7040</del> 7041	LOCKWASHER, 5/16	66 to * - DEC
30	7124	LOCKWASHER, 1/4 int. tooth (2)	66 to * - DEC
31	7230	LOCKWASHER, 1/4 ext. tooth (4)	66 to * - DEC
32	7609W	NUT, No. 8-32 Flexloc (15)	66 to * - DEC
33	7626W	LOCK NUT, No. 10-32 (5)	66 to * - DEC
34	7682	LOCK NUT, 1/4-28 (12)	66 to * - DEC
35	7683	LOCK NUT, 1/4-28 (2)	66 to * - DEC

VOID  
71

DEC





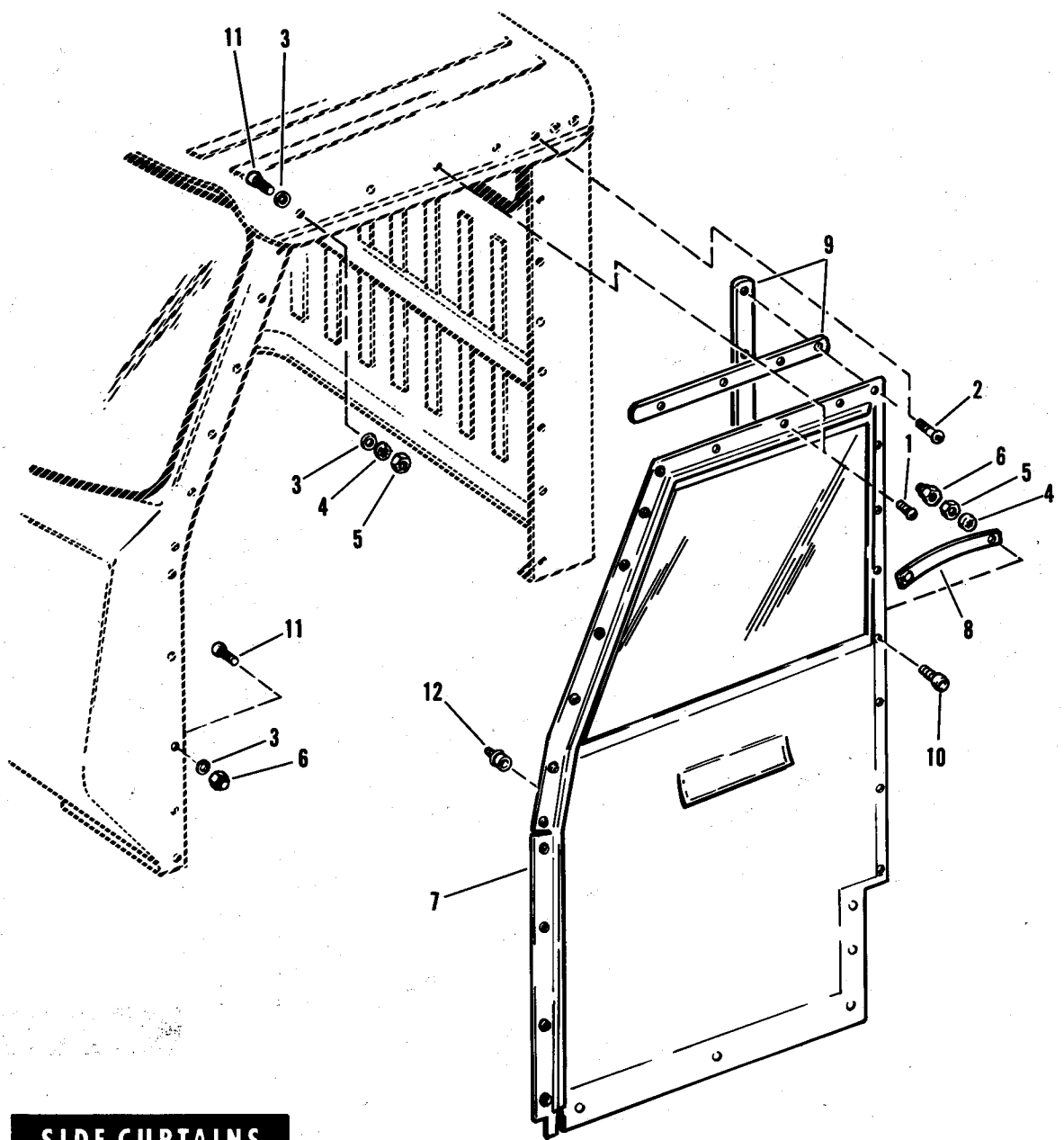
## CAB (CONT'D)

INDEX NO.	PART NO.	NAME	USED ON
36	7686	LOCK NUT, 1/4-20 (10)	66 to * - DEC
37	7688	NUT, 1/4-20 x 1/4 x 1/2 hex. (2)	66 to * - DEC
38	7704	ACORN NUT, 1/4-28 (2)	66 to * - DEC
39	7748 W 7789	NUT, 5/16-18 x 17/64 x 1/2 hex. NUT, fork turn stop, 3/8-24 x 1/4 x 9/16 hex. (2)	66 to * - DEC 66 to * - DEC
40	8131W 9958	LOCK NUT, No. 4-40 (2) CLAMP, choke cable	66 to * - DEC 66 to * - DEC
41	11412	GROMMET, headlamp wires	66 to * - DEC
42	25451-47	SCREW, back rest, 1/4-20 x 3 Phil. hd. (8) (stake body)	67 to * - DEC
43	30460-32	SCREW, No. 10-32 x 31/32 hex. hd.	66 to * - DEC
44	32578-66 50221-66A	CIRCUIT BREAKER, wiper motor FRONT CAB ASSEMBLY	66 to * - DEC 66 to * - DEC
	50222-66A	FRONT PANEL ASSEMBLY, complete	66 to * - DEC
45	50304-66	REINFORCEMENT, front panel to floorboards (2)	66 to * - DEC
46	50320-66	ROOF PANEL	66 to * - DEC
47	<del>50322-66</del>	FRONT PANEL	66 to * - DEC
48	50325-66A	BACK PANEL	66 to * - DEC
49	50328-66	REINFORCEMENT, back panel (2)	66 to * - DEC
50	50329-66 50350-66	STUD, roof panel (3) ADAPTER KIT (to mount cab on 1965 Model DEC)	66 to * - DEC 65 - DEC
51	57029-63	SPACER (2)	66 - DEC
52	57032-66	ACCESSORY PANEL	66 - DEC
53	57980-66	MOTOR, windshield wiper	66 to * - DEC
54	57981-66	ARM, windshield wiper	66 to * - DEC
55	57982-66	BLADE, windshield wiper	66 to * - DEC
56	57992-66	WINDSHIELD	66 to * - DEC
57	58016-66	REAR WINDOW	66 to * - DEC
58	58055-66	CUSHION STRIP, rear window	66 to * - DEC
59	58056-66	CUSHION STRIP, windshield	66 to * - DEC
60	60031-61	LOCK NUT, No. 6-32 (2)	66 to * - DEC
61	61771-66 A	NAME PLATE	66 to * - DEC
62	64511-63	WELL NUT, fork housing (2)	66 to * - DEC
63	67707-66A	HEADLAMP ASSEMBLY	66 to * - DEC
64	67826-55	RUBBER WASHER	66 to * - DEC
65	70231-66	WIRE, headlamp switch to key switch	66 to * - DEC
66	70234-66A	WIRE, key switch to circuit breaker	66 to * - DEC
67	<del>83975-37</del> 83975-37A	WASHER, 5/8 x 1-1/2 x 1/16 WASHER, wiper motor	66 to * - DEC 66 to * - DEC
68	90937-64	CUSHION STRIP, roof panel	66 to * - DEC
69	90952-63 90953-63	LOCKING CLIP, left LOCKING CLIP, right	66 to * - DEC 66 to * - DEC
70	91871-66	REAR VIEW MIRROR, with fittings	66 to * - DEC

## SIDE CURTAINS

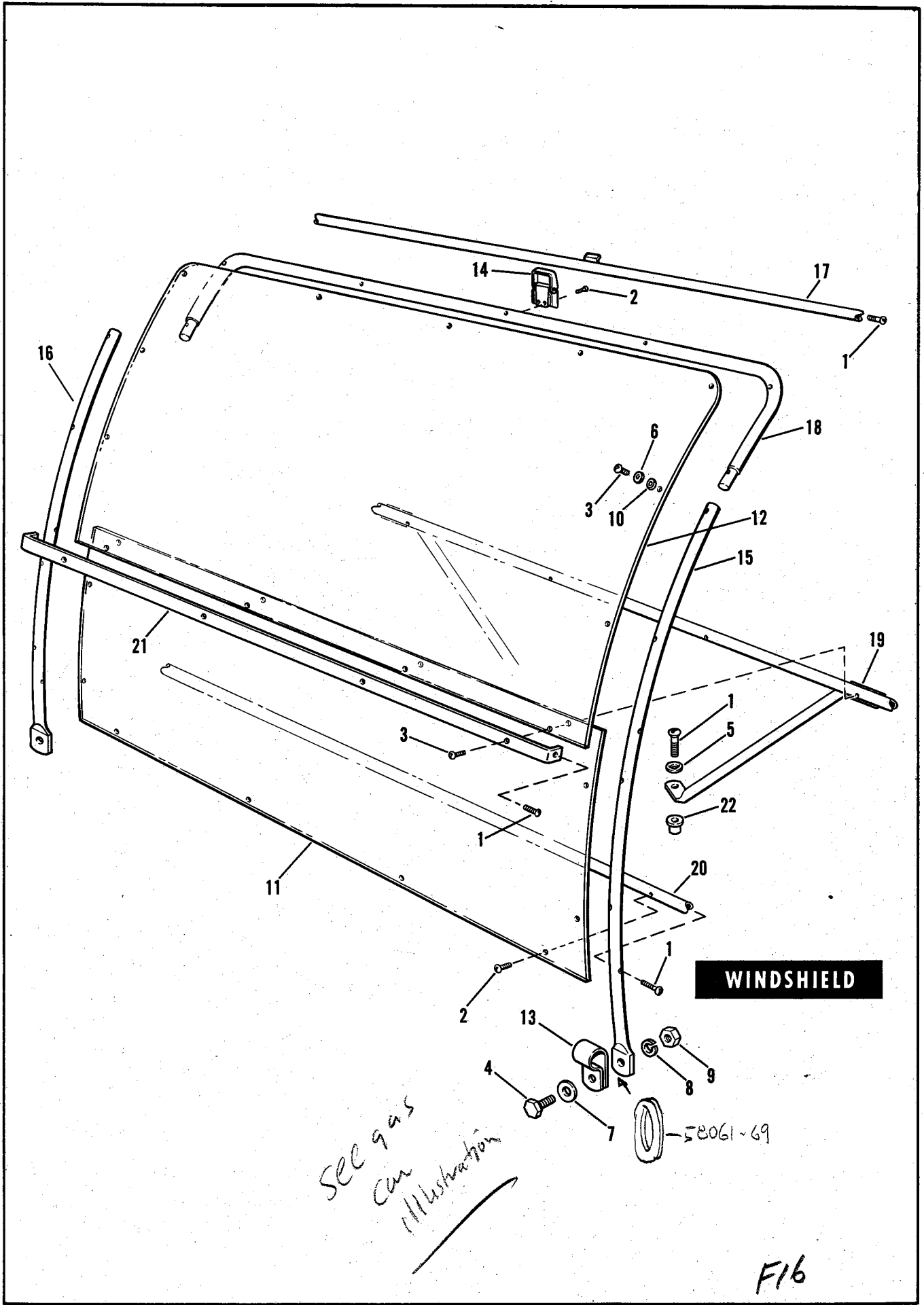
1	2632W	SCREW, side curtains, No. 8-32 x 7/16 rd. hd. (18)	66 to * - DEC
2	2772	SCREW, side curtains, 1/4-28 x 3/4 rd. hd. (2)	66 to * - DEC
3	6165W	WASHER, 3/16 x 3/8 x 1/32 (24)	66 to * - DEC
4	7115	LOCKWASHER, No. 8 int. tooth (4)	66 to * - DEC
5	7608	NUT, No. 8-32 x 5/16 hex. (4)	66 to * - DEC
6	7631W 58123-66	STOP NUT, No. 8-32 (40) SIDE CURTAINS, with fittings	66 to * - DEC 66 to * - DEC
7	58125-66 58126-66	SIDE CURTAIN, left SIDE CURTAIN, right	66 to * - DEC 66 to * - DEC
8	58128-66	FOLD-BACK STRAP, side curtain (2)	66 to * - DEC
9	58130-66	REINFORCEMENT STRAP, side curtains (6)	66 to * - DEC
10	58131-66	SNAP STUD, side curtains, 5/8 in. (2)	66 to * - DEC
11	58132-66	SNAP STUD, side curtains, 3/8 in. (22)	66 to * - DEC
12	89424-63	SNAP STUD, self-tapping (8)	66 to * - DEC

VOID  
71



**SIDE CURTAINS**

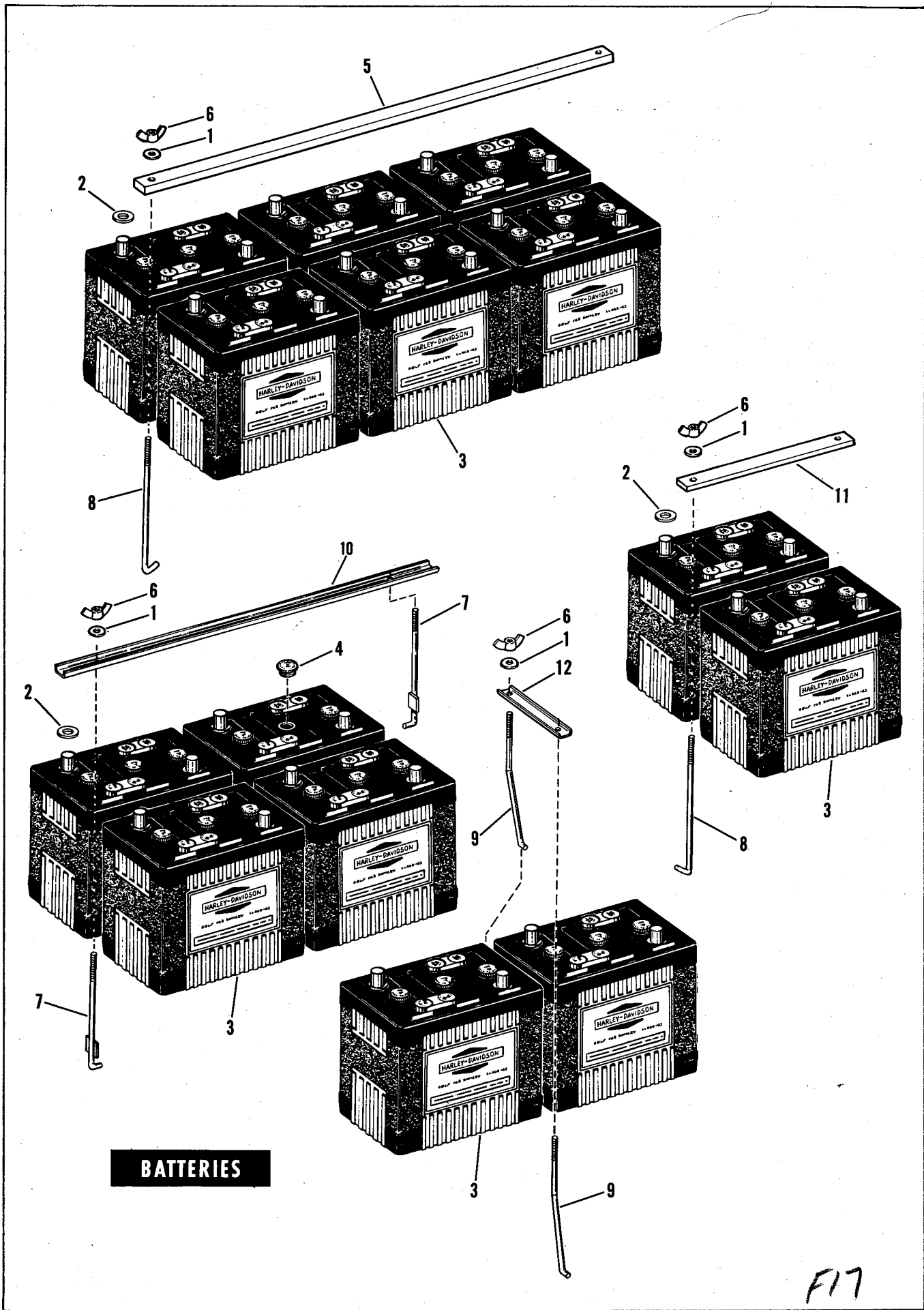
FISA



# WINDSHIELD

INDEX NO.	PART NO.	NAME	USED ON
1	2345	SCREW, <del>upper cross bar</del> , 1/4-20 x 1-1/2 ctsk. hd. (2)	66 to * - DE
2	2634W	SCREW, No. 8-32 x 1/2 self-tapping rd. hd. (21)	66 to * - DE
3	2635W	SCREW, No. 8-32 x 1/2 rd. hd. (2)	66 to * - DE
4	3974HW	BOLT, 5/16-24 x 3/4 hex. hd. (2) <i>(4)</i>	66 to * - DE
5	6102	CUP WASHER (2)	66 to * - DE
6	6189W	WASHER, grommets, No. 8 x 13/32 x 1/32 thick (17)	66 to * - DE
7	63162W	WASHER, 5/16 x 5/8 x 1/16 (2) <i>(4)</i>	66 to * - DE
8	7041	LOCKWASHER, 5/16 (2) <i>(4)</i>	66 to * - DE
9	7753	NUT, 5/16-24 x 17/64 x 1/2 hex. (2) <i>(4)</i>	66 to * - DE
10	30227-47	GROMMET (17)	66 to * - DE
	58007-66A	WINDSHIELD, complete with fittings <i>66 only A in 70</i>	66 to * - DE
11	58014-66	LOWER WINDOW	66 to * - DE
12	58015-66	UPPER WINDOW	66 to * - DE
13	58048-66	BUMPER CLAMP (2) <i>10021 in 70</i>	66 to * - DE
14	58066-66	LOCK	66 to * - DE
15	58070-66	SIDE SUPPORT, left	66 to * - DE
16	58071-66	SIDE SUPPORT, right	66 to * - DE
17	58072-66	UPPER CROSS-BAR	66 to * - DE
18	58073-66	UPPER SUPPORT	66 to * - DE
19	58110-66	MAIN SUPPORT	66 to * - DE
20	58111-66	LOWER CROSS-BAR	66 to * - DE
21	58112-66	CROSS STRIP	66 to * - DE
22	64511-63	WELL NUT (2)	66 to * - DE

**NOTE:** Asterisk (\*) indicates part is used on 1968 models (see GENERAL INFORMATION)

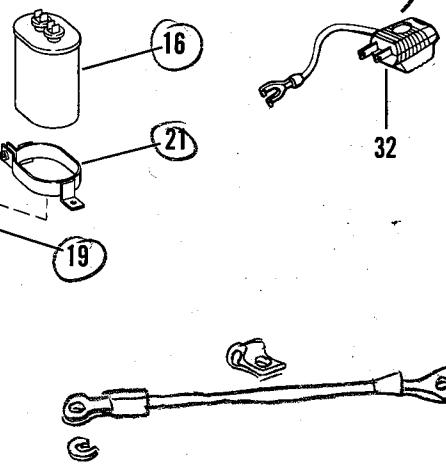
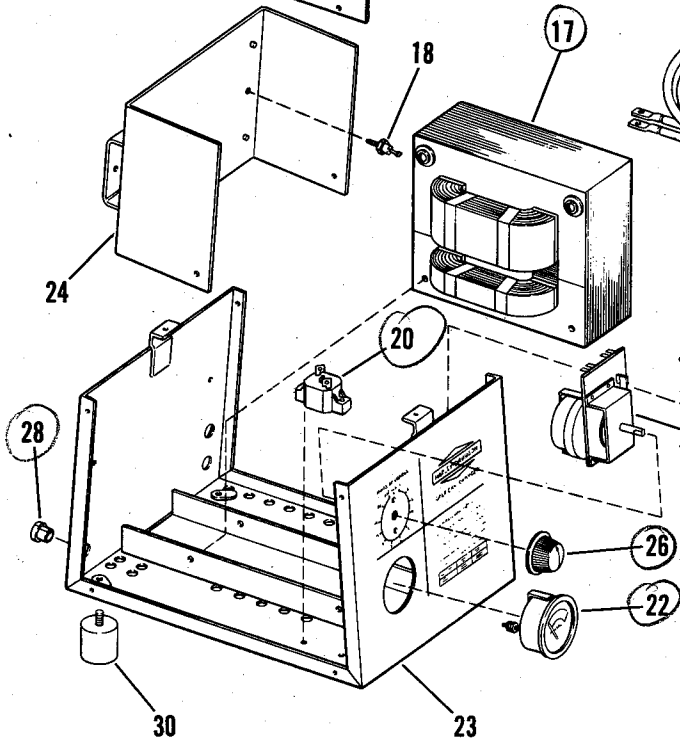
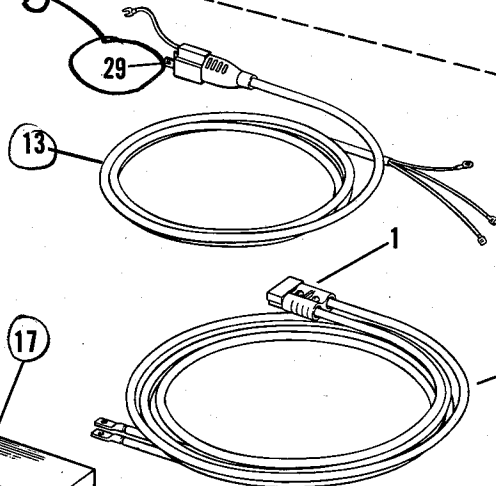
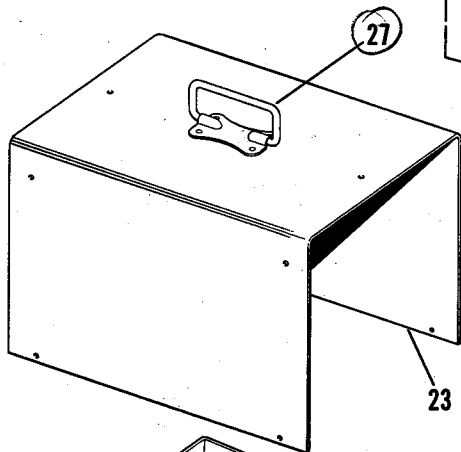
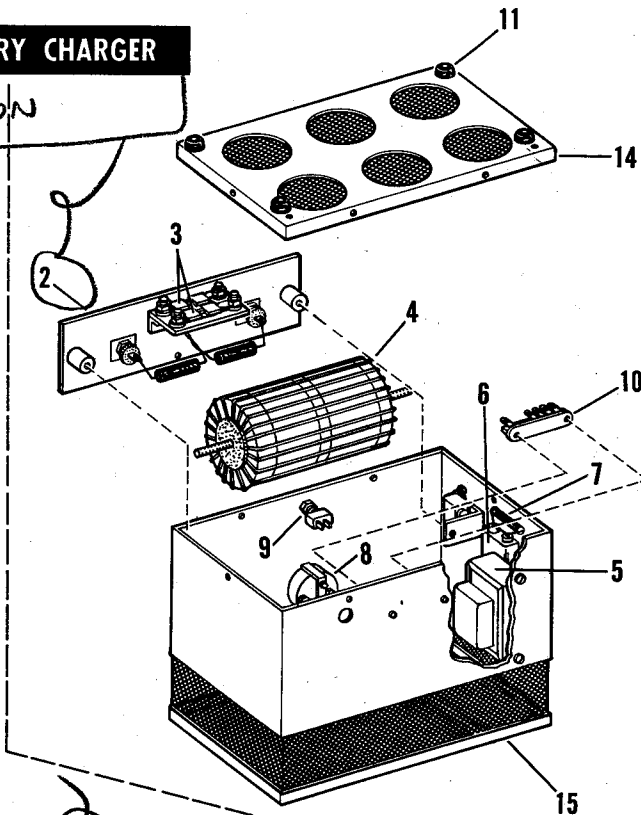
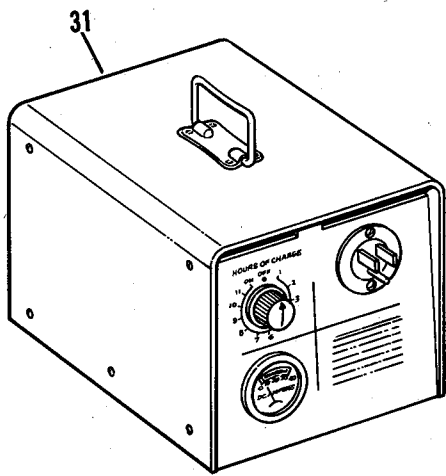


# BATTERIES

INDEX NO.	PART NO.	NAME	USED ON
1	6236	WASHER, 1/4 x 1 1/2 x 5/32 (4)	63 to * - DE, DEF, DEC
2	43733-47	FELT WASHER (12)	63 to * - DE, DEF, DEC
<hr/>			
3	66010-63	BATTERY (wet) (6)	63 to * - DE, DEF, DEC
4	66017-63	FILLER CAP (Globe Union battery)	63 to 66 - DE, DEF, DEC
	66017-67	FILLER CAP (Gould-National battery)	67 to * - DE, DEC
5	66317-66	BATTERY HOLD-DOWN BAR	66 to * - DEC
6	66387-64	WING NUT, hold down rods (4)	63 to * - DE, DEF, DEC
7	66453-63	HOLD DOWN ROD, front (2)	63 to 65 - DE, DEF, DEC
8	66453-66	HOLD DOWN ROD (DE-8; DEC-2)	66 to * - DE, DEC
9	66456-63	HOLD DOWN ROD, rear (2)	63 to 65 - DE, DEF, DEC
10	66462-63A	HOLD DOWN BAR, front	63 to 65 - DE, DEF, DEC
11	66462-66 A	HOLD DOWN BAR (4)	66 to * - DE
12	66463-63	HOLD DOWN BAR, rear	63 to 65 - DE, DEF, DEC

NOTE: Asterisk (\*) indicates part is used on 1968 models (see GENERAL INFORMATION)

**PORTABLE BATTERY CHARGER**  
**HARLEY-DAVIDSON**



*Show size of metal*

F18



# PORTABLE BATTERY CHARGER

INDEX NO.	PART NO.	NAME	USED ON
1	66031-63	CHARGER CABLE CONNECTOR	63 to * - DE, DEF, DEC
2	<del>66034-63A</del>	RECTIFIER ASSEMBLY	63 & 64 - DE, DEF, DEC
3	66035-63	FUSE (2)	63 to * - DE, DEF, DEC
4	66036-63A	POWER TRANSFORMER	63 & 64 - DE, DEF, DEC
5	66037-63	REACTOR (used on 66492-63 & 66492-63A chargers)	63 & 64 - DE, DEF
6	66038-63	CAPACITOR - .5 mfd.	63 & 64 - DE, DEF, DEC
7	66039-63	RESISTOR	63 & 64 - DE, DEF, DEC
	66039-64	RESISTOR, toggle switch	Late 64 - DE, DEF, DEC
8	66040-63	AMMETER	63 & 64 - DE, DEF, DEC
9	66041-63	TOGGLE SWITCH	63 & 64 - DE, DEF, DEC
10	66042-63	TERMINAL STRIP	63 & 64 - DE, DEF, DEC
11	66044-63	RUBBER FOOT (4)	63 & 64 - DE, DEF, DEC
12	<del>66045-63</del>	D. C. CABLE, charger to batteries	63 & 64 - DE, DEF, DEC
13 X	66046-63	A. C. CABLE, charger to outlet	63 to * - DE, DEF, DEC
14	66047-63	CHARGER BASE	63 & 64 - DE, DEF, DEC
15	66048-63	CHARGER ENCLOSURE	63 & 64 - DE, DEF, DEC
	66051-63	CAPACITOR - .25 mfd.	63 & 64 - DE, DEF
	66052-63	CAPACITOR - 1.0 mfd.	63 & 64 - DE, DEF
	66053-63	CAPACITOR - 4.0 mfd.	63 & 64 - DE, DEF, DEC
16 X	66053-65	CAPACITOR - 4.0 mfd. (used on 66492-63C)	Late 65 to * - DE, DEC
	66054-63	CAPACITOR - 6.0 mfd.	63 & 64 - DE, DEF
17 X	66055-65 A	TRANSFORMER (used on 66492-63C)	65 to * - DE, DEF, DEC
18	66056-65	DIODE (2) (used on 66492-63C)	65 to * - DE, DEF, DEC
19 X	66057-65	TIMER - 12 hr. (used on 66492-63C)	65 to * - DE, DEF, DEC
20 X	66058-65	CIRCUIT BREAKER - 40 amp. (used on 66492-63C)	65 to * - DE, DEF, DEC
21 X	66059-65	BRACKET, capacitor (used on 66492-63C)	65 to * - DE, DEF, DEC
22 X	66060-65	AMMETER - 0 to 40 amp. (used on 66492-63C)	65 to * - DE, DEF, DEC
23	66061-65	CHARGER ENCLOSURE (used on 66492-63C)	65 to * - DE, DEF, DEC
24	66062-65	HEAT SINK (used on 66492-63C)	65 to * - DE, DEF, DEC
25	66063-65	D. C. CABLE, charger to batteries (2) (used on 66492-63C)	65 to * - DE, DEF, DEC
26 X	66064-65	KNOB (used on 66492-63C)	65 to * - DE, DEF, DEC
27 X	66065-65	HANDLE (used on 66492-63C)	65 to * - DE, DEF, DEC
28 X	66066-65	BUSHING, strain relief (3) (used on 66492-63C)	65 to * - DE, DEF, DEC
29	66067-65	ADAPTER PLUG, charger cable (used on 66492-63C)	65 to * - DE, DEF, DEC
30	66068-65	RUBBER FOOT (4) (used on 66492-63C)	65 to * - DE, DEF, DEC
	66069-63	CHOKE, .005 in. gap (for 66492-63B charger)	63 & 64 - DE, DEF
	66070-63	CHOKE, .014 in. gap (for 66492-63B charger)	63 & 64 - DE, DEF
31	66492-63C	BATTERY CHARGER, complete	63 to * - DE, DEF, DEC
32	66495-63	ADAPTER PLUG, charger cable	63 & 64 - DE, DEF, DEC
	66498-63	TIMER KIT, 12 hr. (for 66492-63A & 66492-63B)	63 & 64 - DE, DEF, DEC
	70406-67	CABLE, charger plug (red)	67 to * - DE
	70407-67	CABLE, charger plug (black)	67 to * - DE

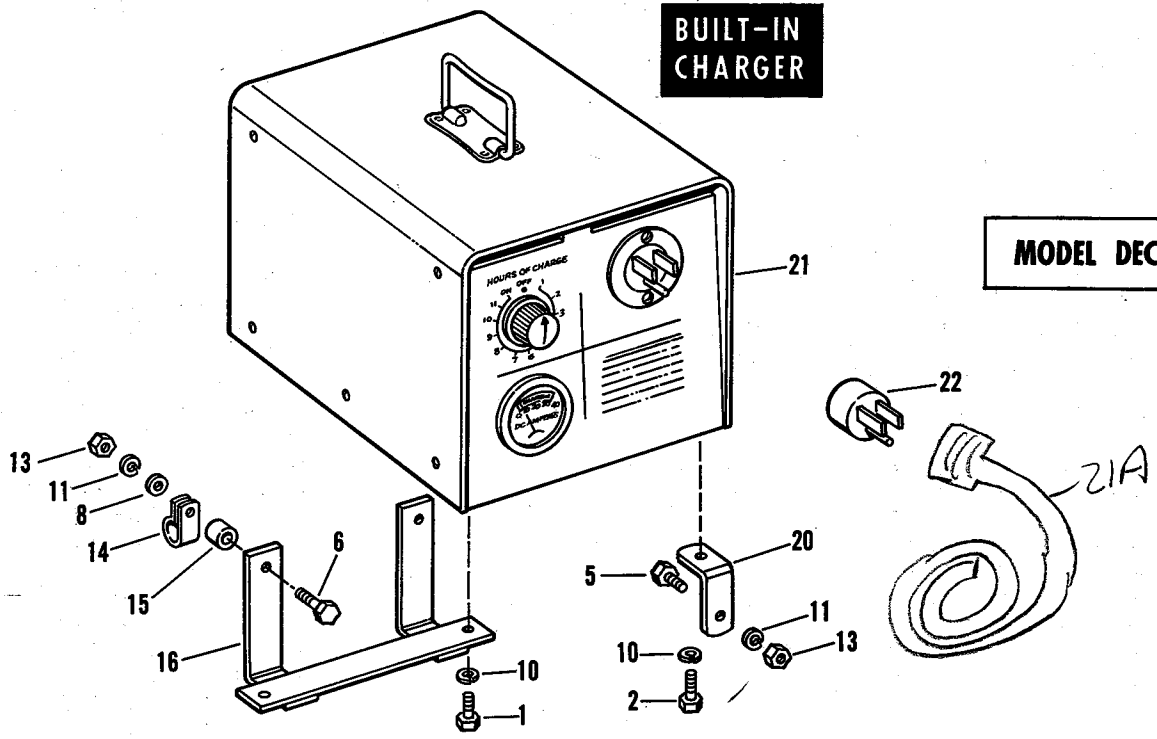
move to group F-2d (don't, it will just get lost in the wire tangle in the wiring group !!)

X denotes usage on other charger  
 ✓ Lester

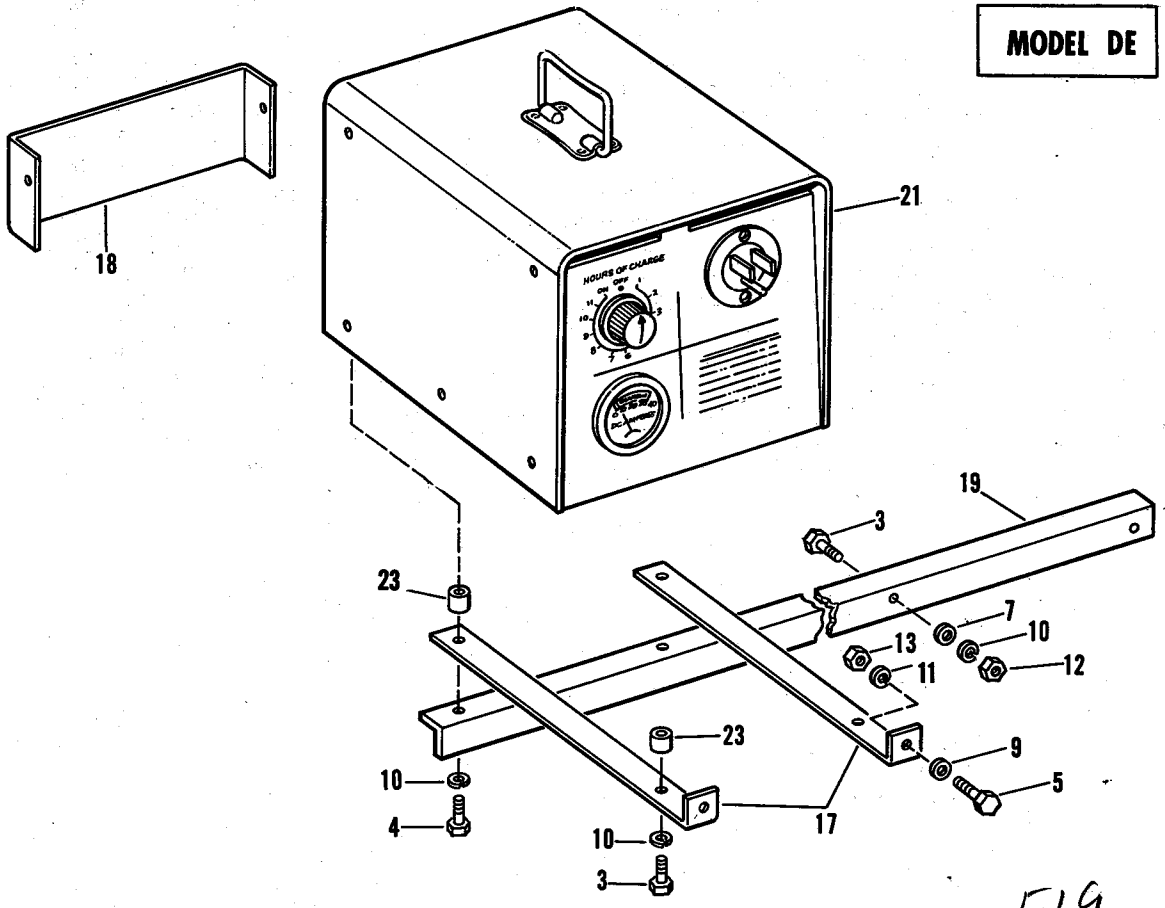
Use Lester 1970 E!  
 Use H-D 1970

**BUILT-IN  
CHARGER**

**MODEL DEC**



**MODEL DE**



F19

See 66986-69

# BUILT-IN BATTERY CHARGER - 1967 & 1968

INDEX NO.	PART NO.	NAME	USED ON
1	3728	BOLT, charger to frame, 1/4-20 x 1/2 hex. hd. (4).....VOID 69	67 to * - DEC
2	3738	BOLT, 1/4-28 x 1/2 hex. hd. (2).....VOID 69	67 to * - DEC
3	3802W	BOLT, charger mounting, 1/4-20 x 7/8 hex. hd. (4).....VOID 69	67 to * - DE
4	3944W	BOLT, rear support, 1/4-20 x 1-1/4 hex. hd. (2).....VOID 69	67 to * - DE
5	3974HW	BOLT, charger mounting, 5/16-24 x 3/4 hex. hd. (2).....VOID 69	67 to * - DE, DEC
6	4020W	BOLT, front bracket, 5/16-24 x 1-3/8 hex. hd. (2).....VOID 69	67 to * - DEC
7	6228W	WASHER, charger mounting, 1/4 x 1/2 x 1/16 (2).....VOID 69	67 to * - DE
8	6310B	WASHER, cable clamp, 5/16 x 9/16 x 1/32.....VOID 69	67 to * - DEC
9	6316W	WASHER, charger mounting, 5/16 x 5/8 x 1/16 (2).....VOID 69	67 to * - DE
10	7036	LOCKWASHER, charger mounting, 1/4 (4).....VOID 69	67 to * - DEC
11	7041	LOCKWASHER, charger mounting, 5/16 (4).....VOID 69	67 to * - DE, DEC
12	7688	NUT, charger mounting, 1/4-20 x 1/4 x 1/2 (2).....VOID 69	67 to * - DE, DEC
13	7753	NUT, charger mounting, 5/16-24 x 17/64 x 1/2 hex. (2).....VOID 69	67 to * - DE, DEC
14	9967	CABLE CLAMP, small.....VOID 69	67 to * - DEC
15	52105-52	SPACER, charger front mounting (2).....VOID 69	67 to * - DEC
16	66430-67	FRONT SUPPORT BRACKET.....VOID 69	67 to * - DEC
17	66435-67	MOUNTING BRACKET (2).....VOID 69	67 to * - DEC
18	66437-67	HEAT SHIELD, charger.....VOID 69 DEC	67 to * - DE use 70-DEC
19	66439-67	REAR SUPPORT BRACKET.....VOID 69	67 to * - DE use late 69 & later DEC
20	66440-67	REAR MOUNTING BRACKET (2).....VOID 69	67 to * - DE
21	66491-67B	BATTERY CHARGER.....VOID 69	67 to * - DEC
21A	66493-67	A. C. Extension Cord.....VOID 69 DEC	67 to * - DE, DEC
22	66496-67	CONNECTOR, charger cable.....VOID 69 DEC	67 to * - DE, DEC use late 69 & later DEC
23	91265-58	SPACER, charger mounting (4).....VOID 69	67 to * - DE, DEC DEC

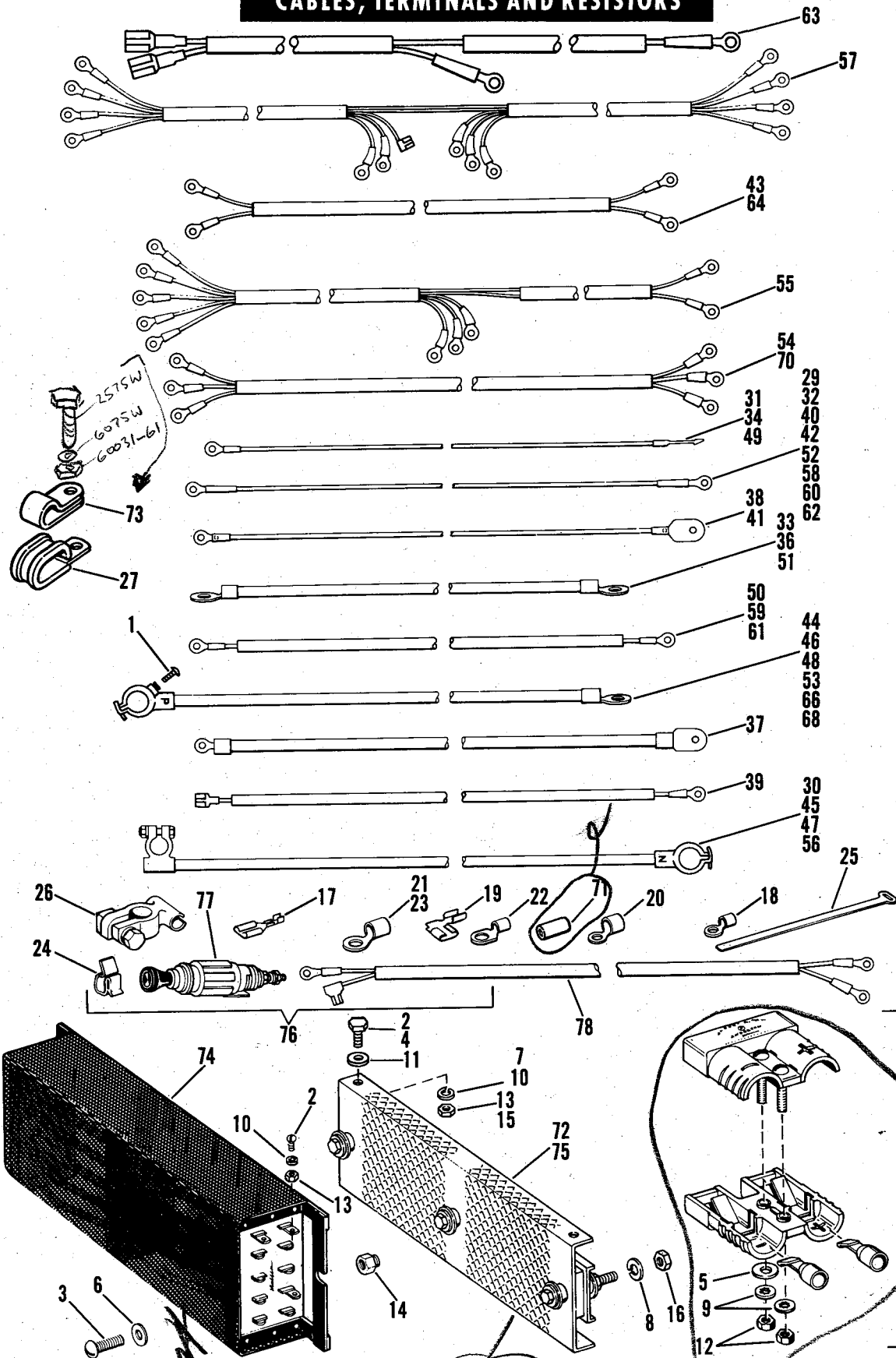
U.C. case

## CABLES, TERMINALS AND RESISTOR

1	1183	SCREW, No. 10-32 x 5/16 fil. hd. ....	Late 63 to * - DE, DEF, DEC
2	2669W	SCREW, No. 10-24 x 3/8 rd. hd. (3) .....	63 to 66 - DE, DEF, DEC; 67 to * - DEC
3	2772	SCREW, 1/4-28 x 3/4 rd. hd. (2).....	63 to 65 - DE, DEF, DEC
4	3728	SCREW, resistor terminal, 1/4-20 x 1/2 hex. hd. (2).....	67 to * - DE, DEC
5	6075W	WASHER, No. 6 x 5/16 x 1/32 (2).....	66 to * - DE, DEC
6	6228W	WASHER, 1/4 x 1/2 x 1/16 (2).....	63 to 65 - DE, DEF, DEC
7	7036	LOCKWASHER, resistor terminal, 1/4 (2).....	67 to * - DE, DEC
8	7045	LOCKWASHER, 3/8 (3).....	66 to * - DE, DEC
9	7112	LOCKWASHER, No. 6 int. tooth (2).....VOID 69	63 to * - DE, DEF, DEC
10	7118	LOCKWASHER, No. 10 int. tooth (6).....	63 to 66 - DE, DEF, DEC; 67 to * - DEC
11	7124	LOCKWASHER, 1/4 int. tooth (2).....	67 to * - DE, DEC
12	7591W	NUT, No. 6-32 x 3/32 x 1/4 hex. (2).....	63 to * - DE, DEF, DEC
13	7620W	NUT, No. 10-24 x 1/8 x 3/8 hex. (3).....	63 to 66 - DE, DEF, DEC; 67 to * - DEC
14	7683	NUT, 1/4-28 Flexloc (2).....	63 to 65 - DE, DEF, DEC
15	7688	NUT, resistor mtg., 1/4-20 x 1/4 x 1/2 hex. (2).....	67 to * - DE, DEC
16	7782-7783	NUT, 3/8-16 x 5/16 x 9/16 hex. (3).....	66 to * - DE, DEC
17	9914	TERMINAL, micro switch wires (2).....	63 to * - DE, DEF, DEC
18	9916	WIRE TERMINAL, 1/4 eye (2).....	63 to 65 - DE, DEF, DEC
	9918	WIRE TERMINAL, 1/4 eye.....	66 to * - DE, DEC
<hr/>			
19	9925	WIRE TERMINAL.....	66 to * - DE, DEC
20	9933	WIRE TERMINAL, 1/4 eye (7).....	63 to * - DE, DEF, DEC
21	9934	TERMINAL, 5/16 stud size (for solenoid cables).....	63 to * - DE, DEF, DEC
22	9936	WIRE TERMINAL, oval, 5/16 eye (5).....	63 & Early 64 - DE
23	9945	TERMINAL, 1/4 stud size (for solenoid cables).....	63 to * - D, DF, DC
	9946	TERMINAL, 3/8 stud size (for solenoid cables).....	67 to * - DE, DEC
24	9981	CLIP, lighter cable.....	63 to * - DE, DEF, DEC
25	10016	CABLE STRAP.....	63 to * - DE, DEF, DEC
26	10017	BATTERY CABLE TERMINAL (12).....	63 & Early 64 - DE
27	10019	CABLE CLAMP (3).....	67 to * - DE
28	66031-63	CHARGER CONNECTOR PLUG (2).....VOID 69	63 to * - DE, DEF, DEC
29	70018-65A	GROUND STRAP, hinge bolt.....	66 to * - DEC
	70033-63	SOLENOID WIRE (5).....VOID 71	63 to 66 - DE, DEF, DEC; 67 to * - DEC

**NOTE:** Asterisk (\*) indicates part is used on 1968 models (see GENERAL INFORMATION)

# CABLES, TERMINALS AND RESISTORS



*Plat Show latest*

## CABLES, TERMINALS AND RESISTOR (CONT'D)

INDEX NO.	PART NO.	NAME	USED ON
	70034-63	SOLENOID WIRE (green).....VOID 69	63 to 66 - DE, DEF, DEC; 67 to * - DEC
	70035-63	SOLENOID WIRE (blue).....VOID 69	63 to 66 - DE, DEF, DEC; 67 to * - DEC
	70045-63	GROUND WIRE, speed control solenoids.....	66 - DEC
30	70049-64	BATTERY CABLE, battery to A-1 motor terminal.....VOID 69	66 to * - DEC
31	70062-63	CABLE, motor to charger connector (red).....	63 to 66 - DE, DEF, DEC; 67 to * - DEC
	70062-66	CABLE, charger plug to solenoid.....VOID 69	66 to * - DEC
32	70064-63	WIRE, speed switch to battery (white).....	63 & Early 64 - DE
	70064-64	WIRE, speed switch to battery terminal (white).....	Late 64 & 65 - DE, DEF, DEC
	70064-66	CABLE, solenoid to speed switch.....VOID 68	66 to * - DEC
33	70066-63	CABLE, motor to solenoids (2).....	63 to 65 - DE, DEF, DEC
	70066-66	CABLE, motor to solenoids (2).....AZ & SZ terms	66 to * - DE, DEC-VOID 69 DEC
34	70095-63	WIRE, speed switch to charger plug.....	63 to 65 - DE, DEF, DEC
	70095-66	CABLE, speed switch to charger plug.....	66 to * - DE
35	70096-63	CABLE, motor to solenoid.....S-1 Term	63 to 65 - DE, DEF, DEC
36	70096-66	CABLE, solenoid to motor.....VOID 69	66 - DE, DEC; 67 to * - DEC
37	70108-63A	WIRE, solenoid to resistor (2).....VOID 69	66 - DE, DEC; 67 to * - DEC
38	70109-63	WIRE, speed switch to battery (black).....	63 & Early 64 - DE
	70109-64	WIRE, speed switch to battery (black).....	Late 64 & 65 - DE, DEF, DEC
	70109-66	WIRE, solenoid to speed switch.....	66 - DE
39	70132-64	WIRE, horn switch to horn.....VOID 69	65 to * - DEF, DEC
40	70155-66	WIRE, solenoid to speed switch (blue).....VOID 69	66 - DE, DEC; 67 to * - DEC
41	70174-66	CABLE, solenoid to resistor.....VOID 69	66 - DE, DEC; 67 to * - DEC
42	70175-66	WIRE, solenoid to speed switch (white).....VOID 68	66 - DE, DEC; 67 to * - DEC
43	70188-66	CABLE, solenoids to speed switch (2 wires).....	66 - DE
44	70194-63	CABLE, motor to battery.....	63 to 65 - DE, DEF, DEC
	70194-66	CABLE, rear left battery to motor.....	66 - DE
45	70197-63	BATTERY CONNECTOR CABLE, long.....	63 to 65 - DE, DEF, DEC
	70197-66	CABLE, front batteries to rear.....	66 - DE
46	70198-63	CABLE, solenoid to battery.....	63 to 65 - DE, DEF, DEC
	70198-66	CABLE, front left battery to solenoid.....	66 - DE
47	70199-63A	BATTERY CONNECTOR CABLE, short (DE-4; DEC-5).....	66 DE, DEC <del>to*</del>
48	70200-64	CABLE, motor to battery (used only with six batteries mounted forward).....	65 - DEF, DEC
49	70214-66	CABLE, charger plug to solenoid.....VOID 69	66 to * - DEC
50	70216-66	WIRE, fuse to battery.....VOID 69	66 to * - DEC
51	70219-66	CABLE, motor to solenoid.....VOID 69	66 to * - DEC
	70220-66	CABLE, solenoid to solenoid (speed range).....VOID 69	66 to * - DEC
	70221-66	CABLE, speed solenoid to solenoid (8-1/2 in.)....." " "	66 to * - DEC
	70222-66	CABLE, speed solenoid to solenoid (6-1/2 in.)....." " "	66 to * - DEC
52	70223-66A	SOLENOID WIRE, black.....	66 to * - DE, DEC
53	70224-66	CABLE, right front battery to solenoid.....VOID 69	66 to * - DEC
54	70225-63	CABLE, speed switch to key switch.....	63 to 65 - DE, DEF, DEC
	70226-66	CABLE, key switch to speed switch.....	66 to * - DE
55	70227-63	CABLE, speed switch to solenoids.....O.U.	63 to 65 - DE, DEF, DEC
56	70228-66	CABLE, left rear battery to solenoid.....VOID 69	66 to * - DEC
	70229-66	CABLE, left front battery to solenoid.....VOID 69	66 to * - DEC
57	70230-66	CABLE, key switch to speed switch.....VOID 69	66 to * - DEC
58	70283-65	WIRE, speed switch to ground (floorboard).....	65 - DE, DEF, DEC; 66 to * - DE
59	70284-65	CABLE, light switch to battery.....	65 - DEF, DEC
	70284-66	CABLE, light switch to battery.....VOID 69	66 to * - DEC
	70286-65	WIRE, terminal block to terminal block....." " "	65 to * - DEF, DEC
60	70287-66	WIRE, speed switch to solenoid (green).....VOID 69	66 - DE, DEC; 67 to * - DEC
61	70289-65	CABLE, light switch to terminal block.....VOID 69	65 to * - DEF, DEC
62	70292-66	WIRE, center front battery to speed switch.....	66 - DE
	70418-61	WIRE, horn to switch.....VOID 69	65 & 66 - DEF, DEC
63	70437-67	CABLE, stoplight switch to cut-out switch.....VOID 69	67 to * - DEC
64	70438-67	CABLE, rear terminal strips....." " "	67 to * - DEC
	70439-67	CABLE, stoplight switch....." " "	67 to * - DEC
65	70451-67	WIRE, solenoid to speed switch (black). USE 3 on 61 DEC.....	67 to * - DE
	70452-67	WIRE, solenoid to diode (black).....Use on 69 DEC.....	67 to * - DE
	70453-67	WIRE, circuit breaker to diode (black)....." " "	67 to * - DE
	70454-67	WIRE, solenoid to resistor - 29-1/2 in. lg. ...." " "	67 to * - DE
	70455-67	WIRE, solenoid to resistor - 38-1/2 in. lg. ...." " "	67 to * - DE
	70456-67	WIRE, solenoid to solenoid (white)(3)....." " "	67 to * - DE
66	70457-67	WIRE, circuit breaker to battery.....	67 to * - DE
	70458-67	WIRE, heat sink to front left battery neg. terminal....." " "	67 to * - DE VOID 71

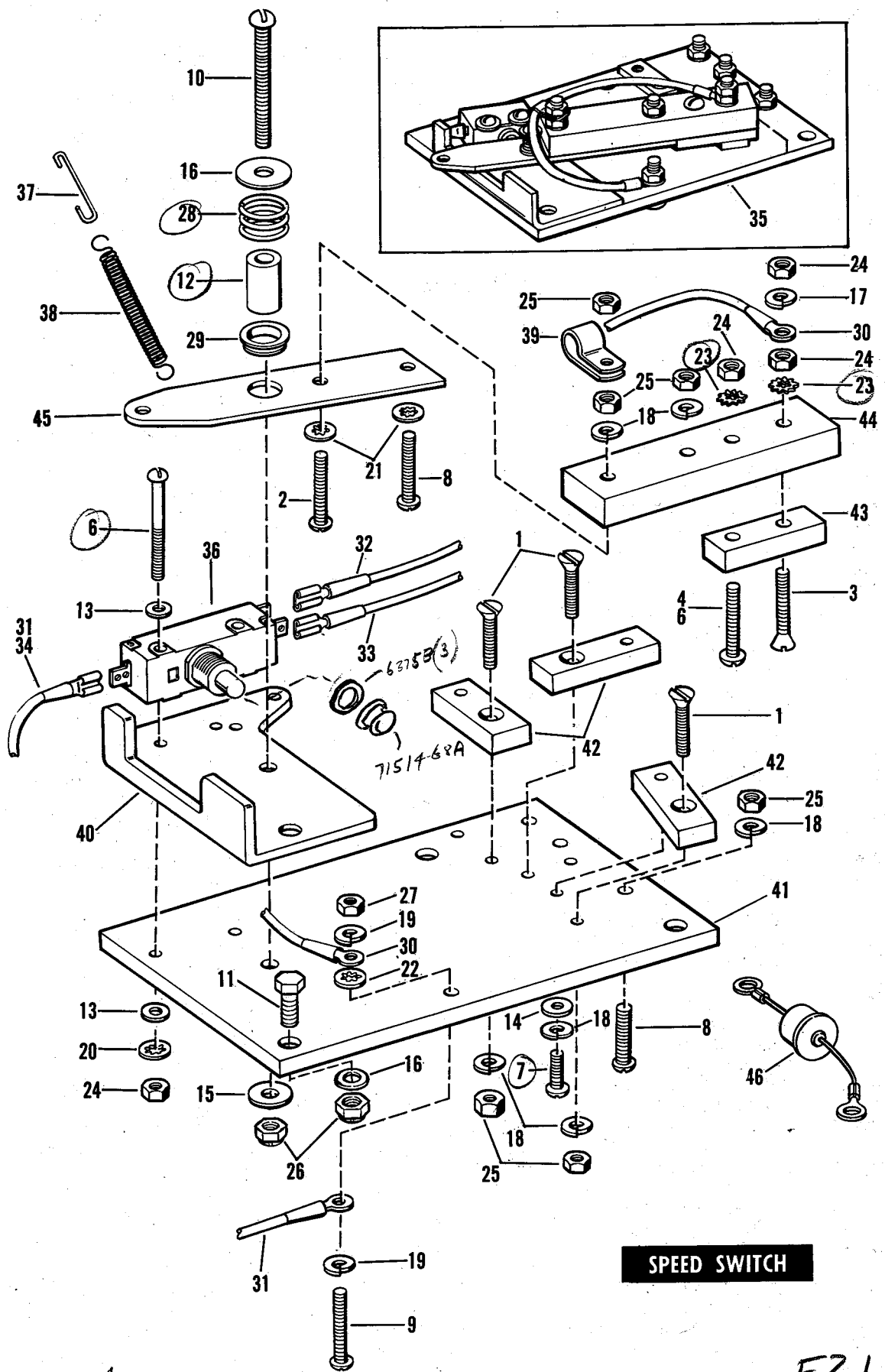
NOTE: Asterisk (\*) indicates part is used on 1968 models (see GENERAL INFORMATION)

## CABLES, TERMINALS AND RESISTOR (CONT'D)

INDEX NO.	PART NO.	NAME	USED ON
67	70459-67	WIRE, solenoids to motor "A1", "S1" & "S2" terms. (2)	67 to * - DE-69 DEC
	70460-67	WIRE, solenoid to solenoid (black) USE FOR 69 DEC.	67 to * - DE
	70461-67	WIRE, speed switch to solenoid (black) " " " "	67 to * - DE
	70462-67	WIRE, heat sink to solenoid (black) " " " "	67 to * - DE
68	70463-67	WIRE, solenoid to right front battery pos. terminal	67 to * - DE
	70464-67A	WIRE, solenoid to right rear battery neg. terminal	67 to * - DE
69	70465-67	WIRE, solenoid to motor "A2" terminal A-2 (2)	67 to * - DE-69 DEC
	70466-67	WIRE, circuit breaker to speed switch 69-DEC	67 to * - DE
70	70467-67	CABLE, speed switch to solenoids (5) VOID 71	67 to * - DE
	70468-67	CABLE, key switch to speed switch VOID 71	67 to * - DE
71	70580-67	INSULATING PLASTIC TUBE N.S.	67 to * - DE
72	70592-67	RESISTOR USE 69 DEC	67 to * - DE
73	71795-63	CLAMP, battery cable (under left floorboard)	67 to * - DE
74	74547-63B	RESISTOR	63 to 65 - DE, DEF, DEC
75	74547-66	RESISTOR VOID 69	66 - DE, DEC; 67 to * - DEC
76	91810-63A	CIGARETTE LIGHTER KIT	63 to * - DE, DEF, DEC
77	91811-63A	CIGARETTE LIGHTER, only	63 to * - DE, DEF, DEC
78	91813-63	CIGARETTE LIGHTER CABLE	63 to * - DE, DEF, DEC

### SPEED SWITCH

1	1763W	SCREW, No. 10-24 x 3/4 ctsk. hd. (4)	63 to * - DE, DEF, DEC
2	1769W	SCREW, No. 10-24 x 1 rd. hd.	63 to * - DE, DEF, DEC
3	1770W	SCREW, No. 6-32 x 15/16 ctsk. hd.	63 to * - DE, DEF, DEC
4	2555W	SCREW, No. 6-32 x 1 rd. hd. USE FOR 69 DEC.	67 to * - DE
5	2570W	SCREW, No. 6-32 x 1-3/8 rd. hd. (2)	63 to * - DE, DEF, DEC
6	2575W	SCREW, No. 6-32 x 7/8 rd. hd. VOID 69	63 to 66 - DE, DEF, DEC; 67 to * - DEC
7	2672B	SCREW, No. 10-24 x 1/2 rd. hd. VOID 69	63 to 66 - DE, DEF, DEC; 67 to * - DEC
7A	2679W	SCREW, No. 10-24 x 9/16 Phil. hd. (2) USE 69 DEC.	67 to * - DE
8	2686	SCREW, No. 10-24 x 7/8 rd. hd. (4)	63 to * - DE, DEF, DEC
9	2791W	SCREW, 1/4-20 x 1-1/4 rd. hd.	63 to * - DE, DEF, DEC
10	2793B	SCREW, 1/4-20 x 1-1/2 rd. hd.	63 to 65 - DE, DEF, DEC
	2799W	SCREW, 1/4-28 x 1-3/4 rd. hd.	66 to * - DE, DEC
11	3825	BOLT, 1/4-28 x 1 hex. hd.	66 to * - DE, DEC
12	5930W	SPACER, speed control lever VOID 71	63 to * - DE, DEF, DEC
13	6075W	WASHER, 9/64 x 5/16 x 1/32 (4)	63 to * - DE, DEF, DEC
14	6165W	WASHER, No. 10 x 3/8 x 1/32	67 to * - DE
15	6245B	WASHER, 1/4 x 5/8 x 1/16	63 to * - DE, DEF, DEC
16	6253W	WASHER, 7/64 x 3/4 x 1/16 1/4	63 to * - DE, DEF, DEC
17	7010	LOCKWASHER, No. 6 (2)	63 to * - DE, DEF, DEC
18	7025W	LOCKWASHER, No. 10 (13)	63 to * - DE, DEF, DEC
19	7036	LOCKWASHER, 1/4 (2)	63 to * - DE, DEF, DEC
20	7115	LOCKWASHER, No. 8 int. tooth (2)	63 to * - DE, DEF, DEC
21	7118	LOCKWASHER, No. 10 int. tooth (5)	63 to * - DE, DEF, DEC
22	7124	LOCKWASHER, 1/4 int. tooth	63 to * - DE, DEF, DEC
23	7315	LOCKWASHER, No. 8 int. and ext. tooth (2) VOID 69 DEC.	63 to * - DE, DEF, DEC
24	7591W	NUT, No. 6-32 x 3/32 x 1/4 hex. (6)	63 to * - DE, DEF, DEC
25	7620W	NUT, No. 10-24 x 1/8 x 3/8 hex. (6)	63 to * - DE, DEF, DEC
26	7683	LOCK NUT, 1/4-28 (2)	63 to * - DE, DEF, DEC
27	7688	NUT, 1/4-20 x 1/4 x 1/2 hex.	63 to * - DE, DEF, DEC
28	17483-57	SPRING, lever pivot 17483-61 (61-70) VOID 71	63 to * - DE, DEF, DEC
29	40522-63	BUSHING, lever pivot	63 to * - DE, DEF, DEC
30	70045-63	WIRE, contact arm to solenoid terminal (2)	63 to * - DE, DEF, DEC
31	70172-63	WIRE, micro switch to solenoid terminal	63 to 65 - DE, DEF, DEC
	70172-66	WIRE, micro switch to solenoid terminal VOID 69	66 - DE, DEC; 67 to * - DEC
32	70470-67	WIRE, micro switch - 9 in. lg. 69-DEC	67 to * - DE
33	70471-67	WIRE, micro switch - 6 in. lg. 69-DEC	67 to * - DE VOID 71
34	70472-67A	WIRE, micro switch to contact block " " " " 4 Am 71	67 to * - DE
35	71481-67A	SPEED CONTROL SWITCH, complete	67 to * - DE VOID 71
	71482-63A	SPEED CONTROL SWITCH, complete VOID 69	66 - DE, DEC; 67 to * - DEC
36	71506-63	MICRO SWITCH VOID 69	63 to 66 - DE, DEF, DEC; 67 to * - DEC
	71506-67	MICRO SWITCH 69-DEC	67 to * - DE
37	71512-63	WIRE, speed switch return spring	63 to 65 - DE, DEF, DEC



**SPEED SWITCH**

71481-67A  
assem.

F21

**SPEED SWITCH (CONT'D)**

71822-63 - void 69

71514-68A rubber boot

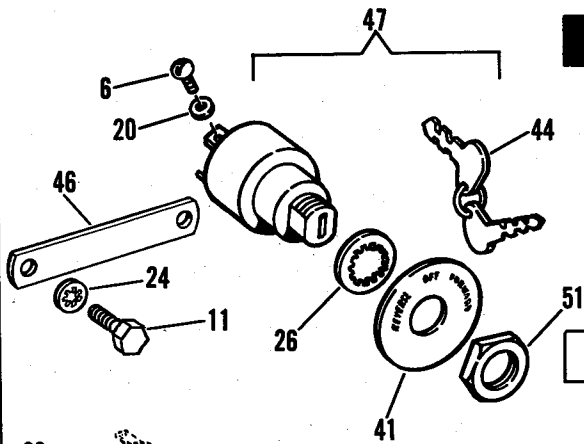
INDEX NO.	PART NO.	NAME	USED ON
38	71513-63	LEVER SPRING, speed switch .....	63 to 65 - DE, DEF, DEC
39	71795-63A	CLAMP, switch arm wire .....	63 to * - DE, DEF, DEC
40	71820-63A	LEVER SUPPORT PLATE .....	63 to * - DE, DEF, DEC
41	71822-67A	BASE PLATE ..... 69-DEC	67 to * - DE
42	71850-63	CONTACT BLOCK (4) .....	63 to * - DE, DEF, DEC
43	71851-63	SWITCH ARM CONTACT BLOCK .....	63 to * - DE, DEF, DEC
44	71852-63	SWITCH LEVER BLOCK .....	63 to * - DE, DEF, DEC
45	71853-63	SPEED CONTROL LEVER .....	63 to * - DE, DEF, DEC
46	74885-67	DIODE (2) ..... 69-DEC	67 to * - DE

**SWITCHES**

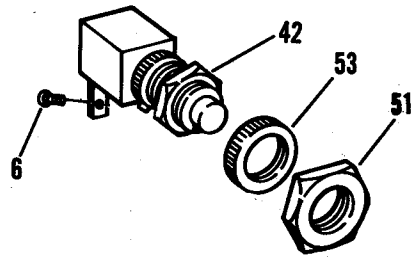
1	1199B	SCREW, No. 10-24 x 1/2 fil. hd. (2) .....	63 to 65 - DE, DEF, DEC
2	1202W	SCREW, No. 10-32 x 1/2 rd. hd. .... void 69	67 to * - DEC
3	1207W	SCREW, No. 10-24 x 5/8 fil. hd. (2) .....	66 to * - DE, DEC
4	2620	SCREW, No. 8-15 self-tapping rd. hd. ....	63 to 65 - DE, DEF
5	2626W	SCREW, No. 8-32 x 1/4 rd. hd. (2) .....	65 to * - DEF, DEC
6	2629	SCREW, No. 8-32 x 5/16 rd. hd. (5) .....	63 to * - DE, DEF, DEC
7	2793B	SCREW, 1/4-20 x 1-1/2 rd. hd. (3) .....	63 to 65 - DE, DEF, DEC
8	3625	SCREW, No. 12-24 x 3/8 hex. hd. (2) .....	63 to 65 - DE, DEF, DEC
9	3738	SCREW, 1/4-28 x 5/8 hex. hd. .... void 69	67 to * - DEC
10	3741	SCREW, 1/4-28 x 1/2 hex. hd. (2) .....	67 to * - DEC
11	4336W	BOLT, 3/8-24 x 1-1/8 hex. hd. ....	66 to * - DE
12	5931B	SPACER, speed switch mounting (3) .....	63 to 65 - DE, DEF, DEC
13	6242W	WASHER, 1/4 x 9/16 x 1/32 (2) ..... void 69	67 to * - DEC
14	6807W	WASHER, 1/2 x 3/4 x 1/32 .....	65 to * - DEF, DEC
15	7015	LOCKWASHER, No. 8 (2) .....	65 to * - DEF, DEC
16	7021	LOCKWASHER, No. 10 .....	67 to * - DEC
17	7036	LOCKWASHER, 1/4 (2) ..... void 69	67 to * - DEC
18	7040	LOCKWASHER, 5/16 .....	63 to 65 - DE, DEF, DEC
19	7112	LOCKWASHER, No. 6 int. tooth (2) .....	63 to 65 - DE, DEF
20	7115	LOCKWASHER, No. 8 int. tooth .....	63 to * - DE, DEF, DEC
21	7118	LOCKWASHER, No. 10 int. tooth (2) .....	63 to * - DE, DEF, DEC
22	7121	LOCKWASHER, No. 12 (2) .....	63 to 65 - DE, DEF, DEC
23	7124	LOCKWASHER, 1/4 int. tooth .....	63 to * - DE, DEF, DEC
24	7130W	LOCKWASHER, 3/8 int. tooth .....	66 to * - DE
25	7138	LOCKWASHER, 7/16 int. tooth .....	65 to * - DEF, DEC
26	7146	LOCKWASHER, key switch .....	Late 65 to * - DE, DEF, DEC
27	7591W	NUT, No. 6-32 x 3/32 x 1/4 hex. (2) .....	63 to 65 - DE, DEF, DEC
28	7620W	NUT, No. 10-24 x 1/4 x 1/2 hex. (3) .....	63 to * - DE, DEF, DEC
29	7638	NUT, No. 10-32 x 1/8 x 3/8 hex. .... void 69	67 to * - DEC
30	7654W	NUT, No. 12-24 x 5/32 x 7/16 hex. ....	63 to 65 - DE, DEF, DEC
31	7675-7676	NUT, 1/4-28 x 3/16 x 7/16 hex. (2) .....	67 to * - DEC
32	7677	LOCK NUT, cut-out switch (2) .....	67 to * - DEC
33	7682	LOCK NUT, 1/4-28 .....	67 to * - DEC
34	7688	NUT, 1/4-20 x 1/4 x 1/2 hex. (4) .....	63 to 65 - DE, DEF, DEC
35	7753	NUT, 5/16-24 x 17/64 x 1/2 hex. ....	63 to 65 - DE, DEF, DEC
36	8127	SPEED NUT, No. 8 .....	63 to 65 - DE, DEF, DEC
37	9982	CABLE CLIP ..... void 69	67 to * - DEC
38	59146-52	BOLT, 5/16-24 x 3/4 hex. hd. ....	63 to 65 - DE, DEF, DEC
39	66031-63	CHARGER CONNECTOR PLUG .....	63 to 65 - DE, DEF, DEC
40	71023-63	PLATE, key switch .....	63 to 65 - DE, DEF, DEC (Below Serial No. 65DE-1373)
41	71023-65	PLATE, key switch .....	65 to * - DE, DEF, DEC (Above Serial No. 65DE-1373)
42	71475-63	HORN BUTTON SWITCH .....	65 to * - DEF, DEC
43	71479-66	PLATE, speed selector switch ..... void 69	66 to * - DEC
44	71486-65	SET OF SWITCH KEYS .....	65 to * - DE, DEF, DEC (Above Serial No. 65DE-1373)
45	71489-63	LOCK NUT, headlamp switch (2) .....	65 to * - DEF, DEC
46	71491-66	GROUND STRAP, key switch .....	66 to * - DE, DEC
47	71496-63A	KEY SWITCH, with keys and plate .....	63 to 65 - DE, DEF, DEC (Below Serial No. 65DE-1373)
	71496-65	KEY SWITCH, with keys .....	65 to * - DE, DEF, DEC (Above Serial No. 65DE-1373)
48	71502-63	HEADLAMP AND SPEED SELECTOR TOGGLE SWITCH .....	65 to * - DEF, DEC



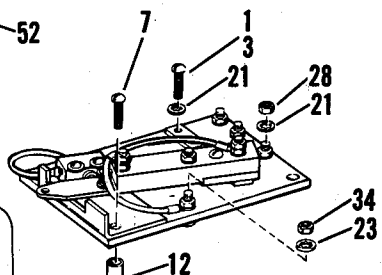
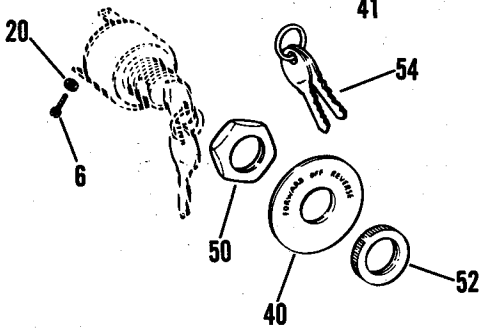
**SWITCHES**



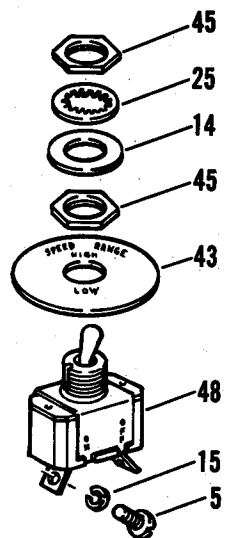
**KEY SWITCH**



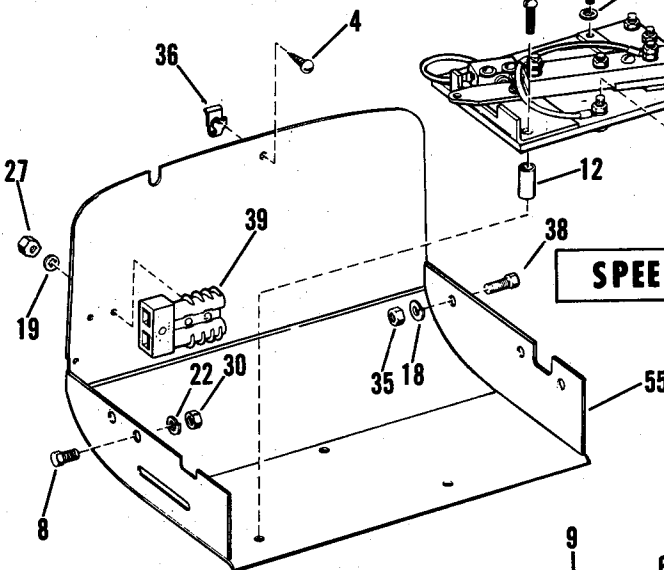
**HORN BUTTON**



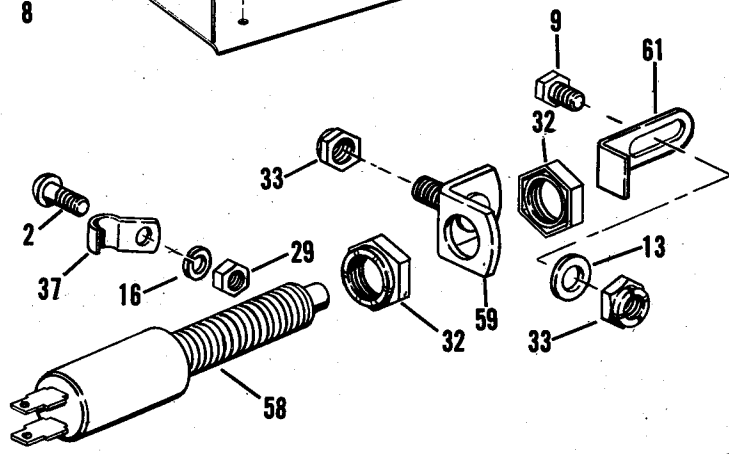
**SPEED SWITCH**



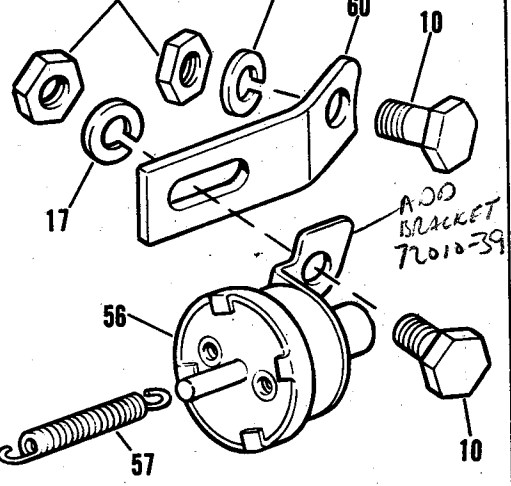
**HEADLAMP AND SPEED SELECTOR SWITCH**



**STOPLIGHT PEDAL SWITCH**



**TOGGLE SWITCH**



**STOPLIGHT SWITCH**

ADD BRACKET 7010-39

F22

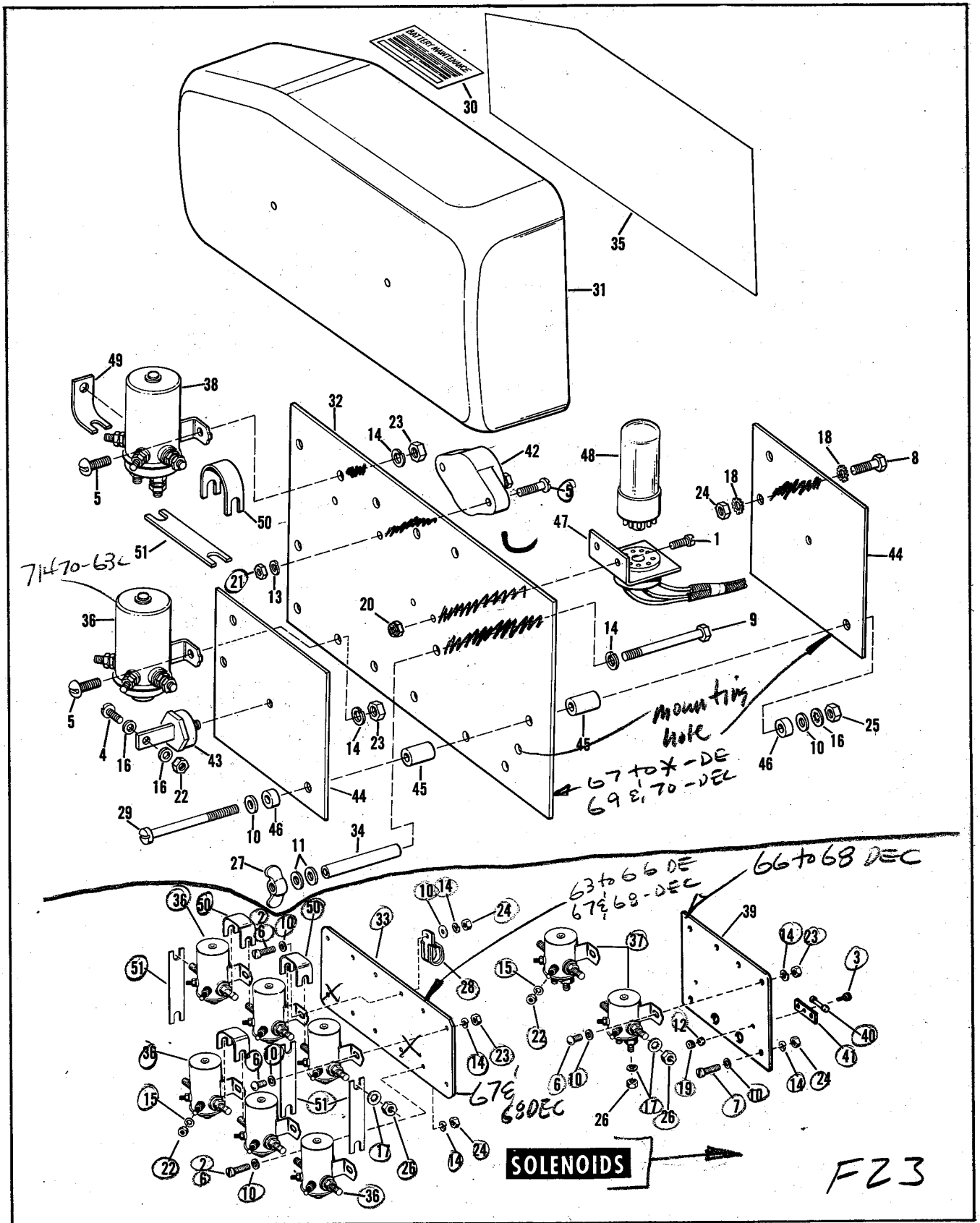
# SWITCHES (CONT'D)

INDEX NO.	PART NO.	NAME	USED ON
49	71512-63	PULL WIRE, stoplight switch ..... <i>VOID. 69</i>	67 to * - DEC
50	71522-59	HEX. NUT, key switch.....	63 to Early 65 - DE
51	71523-64	HEX. NUT, key switch.....	Late 65 to * - DE, DEF, DEC
52	71524-59	KNURLED NUT, key switch.....	63 to Early 65 - DE
53	71525-64	KNURLED NUT, horn switch mounting.....	65 to * - DEF, DEC
54	71625-59	KEY (specify serial no.).....	63 to 65 - DE, DEF, DEC (Below Serial No. 65DE-1373)
55	71841-63	SPEED SWITCH MOUNTING BASE.....	63 to 65 - DE, DEF, DEC
56	72004-39	STOPLIGHT SWITCH..... <i>VOID. 69</i>	67 to * - DEC
	72007-67	STOPLIGHT SWITCH KIT..... <i>" "</i>	67 to * - DEC
NOTE: This kit can be installed on 1966 Utilicar if the following additional parts are ordered separately:			
	2686	SCREW	
	6187W	WASHER	
	7624	LOCK NUT	
	42405-66A	LEVER, brake pedal..... <i>68A</i>	
	42488-66A	RATCHET, brake pedal..... <i>68A</i>	
	42490-67	SPACER, pedal ratchet	
57	72017-39	SPRING, pull wire..... <i>VOID. 69</i>	67 to * - DEC
58	72018-67	STOPLIGHT CUT-OUT SWITCH..... <i>" "</i>	67 to * - DEC
59	72024-67	MOUNTING BRACKET, stoplight cut-out switch..... <i>VOID. 69</i>	67 to * - DEC
60	72028-67	MOUNTING BRACKET, stoplight switch..... <i>" "</i>	67 to * - DEC
61	72046-63	STRIKE, stoplight switch..... <i>VOID. 69</i>	67 to * - DEC

*without means make card*

## SOLENOIDS ← SPACE

1	1063W	SCREW, tube socket, No. 8-32 x 1/4 fil. hd. (2).....	67 to * - DE <i>69 DEC</i>
2	1369	SCREW, 1/4-20 x 11/16 fil. hd. (3).....	63 to 65 - DE, DEF, DEC
3	1661B	SCREW, No. 6-32 x 1/2 ctsk. hd..... <i>VOID. 69</i>	66 to * - DEC
4	2684W	SCREW, No. 10-32 x 5/8 rd. hd. (2).....	67 to * - DE <i>69 DEC</i>
5	2686	SCREW, No. 10-24 x 7/8 rd. hd. (2)..... <i>USE 68 DEC</i>	67 to * - DE
6	2763	SCREW, 1/4-28 x 1/2 rd. hd. (10).....	63 to * - DE, DEF, DEC
7	<del>2772</del> <i>2811W</i>	SCREW, 1/4-28 x <del>3/4</del> rd. hd. (2)..... <i>1-14</i>	66 to * - DE, DEC
8	3802W	SCREW, 1/4-20 x 7/8 hex. hd. (2).....	67 to * - DE <i>69 DEC</i>
9	5420B	BOLT, 1/4-20 x 4-5/8 hex. hd. (2)..... <i>VOID. 69</i>	67 to * - DE
10	6228W	WASHER, 1/4 x 1/2 x 1/16 (12).....	63 to * - DE, DEF, DEC
11	6257W	WASHER, 9/32 x 1-1/4 x 1/16 (4).....	67 to * - DE
12	7010	LOCKWASHER, No. 6.....	66 to * - DEC
13	7025W	LOCKWASHER, No. 10 (2).....	67 to * - DE
14	7036	LOCKWASHER, 1/4 (12).....	63 to * - DE, DEF, DEC
15	7118	LOCKWASHER, No. 10 int. tooth..... <i>(12)</i>	63 to * - DE, DEF, DEC
16	7124	LOCKWASHER, 1/4 int. tooth.....	67 to * - DE
17	7127	LOCKWASHER, 5/16 int. tooth (2)..... <i>VOID. 69</i>	63 to * - DE, DEF, DEC
18	7230	LOCKWASHER, 1/4 ext. tooth (4).....	67 to * - DE
19	7590	NUT, No. 6-32 x 7/64 x 5/16 hex..... <i>VOID. 69</i>	66 to * - DEC
20	7609W	LOCK NUT, No. 8-32 (2).....	67 to * - DE
21	7620W	NUT, No. 10-24 x 1/8 x 3/8 hex. (2).....	68 DEC <i>to 70</i>
22	7638	NUT, No. 10-32 x 1/8 x 3/8 hex. (10).....	63 to * - DE, DEF, DEC
23	7676	NUT, 1/4-28 x 3/16 x 7/16 hex. (12).....	63 to * - DE, DEF, DEC
24	7688	NUT, 1/4-20 x 1/4 x 1/2 hex.....	63 to 65 - DE, DEF, DEC
25	7689W	NUT, 1/4-20 x 3/16 x 1/2 hex.....	67 to * - DE
26	7753	NUT, 5/16-24 x 17/64 x 1/2 hex. (10).....	63 to * - DE, DEF, DEC
27	8119W	WING NUT, solenoid cover (2).....	67 to * - DE
28	10019	CABLE CLAMP..... <i>VOID. 69. A.F.C.</i>	63 to 65 - DE, DEF, DEC
29	25451-47	SCREW, 1/4-20 x 3 Phil. hd. (2).....	67 to * - DE <i>69 DEC</i>
30	66030-67	BATTERY MAINTENANCE LABEL.....	67 to * - DE; <i>69 to * - DEC</i>
31	71020-67	COVER, solenoid switches..... <i>Ship 71019-67A</i>	67 to * - DE
32	71021-67	PLATE, solenoid switch mounting..... <i>USE FOR 69 DEC</i>	67 to * - DE
33	71022-63	PLATE, solenoid switch mounting..... <i>VOID. 69</i>	63 to 66 - DE, DEF, DEC; 67 to * - DEC
34	71027-67	SPACER, solenoid mounting plate (2)..... <i>VOID. 69</i>	67 to * - DE
35	71030-67A	TRANSFER, solenoid cover (check chart)..... <i>A. in. Late 70</i>	67 to * - DE; <i>69 to * - DEC</i>
36	71470-63KC	SOLENOID SWITCH (2 or 6).....	63 to * - DE, DEF, DEC
	71471-67A	SOLENOID SWITCH (6V)..... <i>USE 6V 69 DEC</i>	67 to * - DE
37	71476-66A	SOLENOID SWITCH, speed range (2)..... <i>VOID. 69</i>	66 to * - DEC
38	71476-67A	SOLENOID SWITCH (six terms.) (6V) (2)..... <i>DEC. 69</i>	67 to * - DE *
39	71478-66A	MOUNTING PLATE, solenoid switch..... <i>VOID. 69</i>	66 to * - DEC



63 to 66-DE, DEF / 67 & LATEL - DE  
 65 to 68-DEC / 69 & 70 - DEC

## SOLENOIDS (CONT'D)

INDEX NO.	PART NO.	NAME	USED ON
40	74568-66	FUSE, speed range solenoids	66 to * - DEC
41	74570-66	FUSE HOLDER	66 to * - DEC
42	74593-67	CIRCUIT BREAKER (2)	67 to * - DE
43	74857-67	DIODE, solenoid switch (2)	67 to * - DE
44	74859-67	HEAT SINK, solenoid diodes (2)	67 to * - DE
45	74861-67	FIBER SPACER, solenoid diodes (long) (4)	67 to * - DE
46	74862-67	FIBER SPACER, solenoid diodes (short) (4)	67 to * - DE
47	74873-67	SOCKET ASSEMBLY, time delay tube	67 to * - DE; 69 DEC
48	74875-67	TUBE, time delay control	67 to * - DE; 69 DEC
49	74893-67	SOLENOID CONNECTOR BAR, right angle (2)	67 to * - DE
50	74894-63	SOLENOID CONNECTOR BAR, curved	63 to * - DE, DEF, DEC
51	74894-63A	SOLENOID CONNECTOR BAR, curved (3)	63 to * - DE, DEF, DEC
51	74895-63	SOLENOID CONNECTOR BAR, straight (2 or 3)	63 to * - DE, DEF, DEC

## LAMPS AND HORN

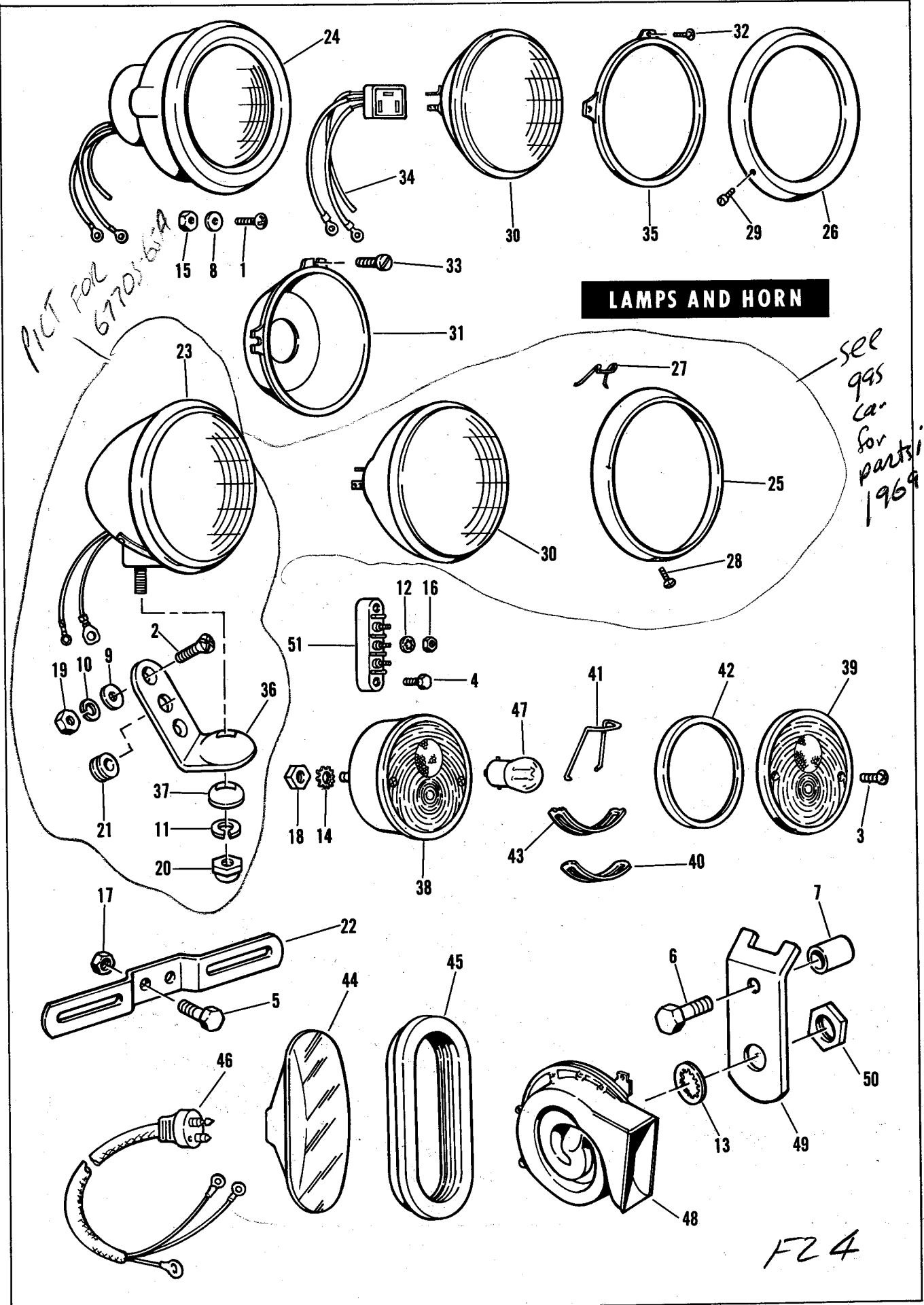
1	1202W	SCREW, No. 10-32 x 1/2 rd. hd. (4)	66 to * - DEC
2	2402W	BOLT, 5/16-24 x 23/32 Phil. hd. (2)	65 to * - DEF, DEC
3	2639W	SCREW, No. 8 x 5/8 self-tapping (2)	65 to * - DEC
4	3669W	SCREW, No. 10-32 x 7/8 self-tapping hex. hd. (2)	65 to * - DEF, DEC
5	3791	BOLT, (2)	65 to * - DEC
6	4337W	BOLT, 3/8-24 x 1-1/4 hex. hd.	65 to * - DEF, DEC
7	5914B	SPACER, horn bracket bolt.	65 to * - DEF, DEC
8	6187W	WASHER, No. 10 x 9/16 x 1/16 (4)	66 to * - DEC
9	6338HB	WASHER, 5/16 x 1-1/16 x .020 (2)	65 to * - DEF, DEC
10	7040-7041	LOCKWASHER, 5/16 (2)	65 to * - DEF, DEC
11	7045	LOCKWASHER, 3/8	65 to * - DEF, DEC
12	7118	LOCKWASHER, No. 10 int. tooth (3)	65 to * - DEF, DEC
13	7148W	LOCKWASHER, horn mounting, 7/8 int. tooth	65 to * - DEF, DEC
14	7230	LOCKWASHER, 1/4 ext. tooth (2)	65 to * - DEF, DEC
15	7626W	LOCK NUT, No. 10-32 (4)	66 to * - DEC
16	7638	NUT, No. 10-32 x 1/8 x 3/8 hex. (2)	65 to * - DEF, DEC
17	7683	LOCK NUT, 1/4-28	65 to * - DEC
18	7688	NUT, 1/4-20 x 1/4 x 1/2 hex. (2)	65 to * - DEF, DEC
19	7744	NUT, 5/16-24 x 3/16 x 1/2 hex. (2)	65 to * - DEF, DEC
20	7783	NUT, 3/8-16	65 to * - DEF, DEC
21	11411	GROMMET, headlamp wire	65 to * - DEF, DEC
22	60000-65	LICENSE PLATE BRACKET	65 to * - DEC
23	67705-64A	HEADLAMP ASSEMBLY (standard)	65 to * - DEF, DEC OBS.
24	67707-66A	HEADLAMP ASSEMBLY (used with cab)	66 to * - DEC
25	67713-59	DOOR, headlamp	65 to * - DEF, DEC
26	67713-66	DOOR, headlamp	66 to * - DEC
27	67714-59	SPRING, headlamp door (4)	65 to * - DEF, DEC
28	67715-59	SCREW, headlamp door	65 to * - DEF, DEC
29	67715-66	SCREW, headlamp door	66 to * - DEC
30	67717-65	SEALED UNIT, headlamp	65 to * - DEF, DEC
31	67719-66	MOUNTING RING	66 to * - DEC
32	67721-48	SCREW, retaining ring (2)	66 to * - DEC
33	67730-66	ADJUSTING SCREW (2)	66 to * - DEC
34	67753-66	CONNECTOR AND WIRING	66 to * - DEC
35	67765-66	RETAINING RING	66 to * - DEC
36	67808-64	BRACKET, headlamp mounting	65 to * - DEF, DEC
37	67815-59A	CUP WASHER, headlamp mounting	65 to * - DEF, DEC
38	68015-65	TAIL LAMP ASSEMBLY, less wire - left	65 to * - DEC
	68016-65	TAIL LAMP ASSEMBLY, less wire - right	65 to * - DEC
39	68091-60A	LENS, tail lamp	65 to * - DEC
40	68094-65	OUTLOOK LENS, tail lamp	65 to * - DEC
41	68107-55	RETAINING SPRING, tail lamp lens	65 to * - DEC
42	68125-59A	GASKET, tail lamp lens	65 to * - DEC
43	68127-65A	GASKET, outlook lens	65 to * - DEC
44	68142-65	TAIL AND STOP LAMP, less mounting ring	65 - DEF
45	68143-65	RUBBER MOUNTING RING, tail lamp	65 - DEF
46	68145-65	TAIL LAMP CONNECTOR, with wires	65 - DEF
47	68165-64	BULB, tail lamp	65 to * - DEC
	68576-63B	SOCKET AND WIRE, front lamps	68 - DEC
48	69000-65	HORN	65 to * - DEF, DEC
49	69033-64	BRACKET, horn mounting	65 to * - DEF, DEC
50	69149-65	NUT, horn mounting	65 to * - DEF, DEC
51	71560-64	TERMINAL BLOCK (2)	65 to * - DEF, DEC

NOTE: Asterisk (\*) indicates part is used on 1968 models (see GENERAL INFORMATION)

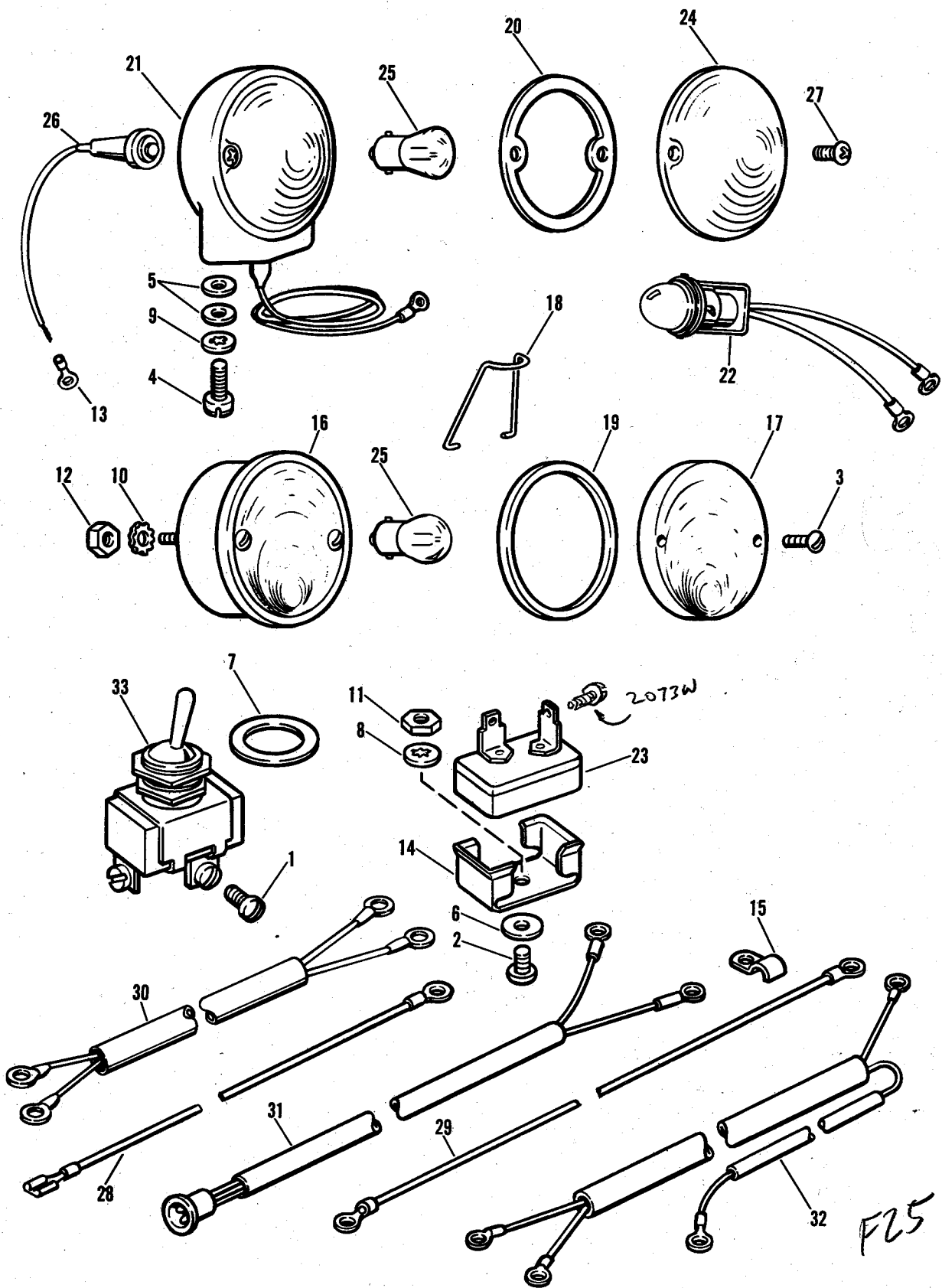
PICT FOR 67705-61A

**LAMPS AND HORN**

see 995 car for parts in 1969



# DIRECTION SIGNALS



# DIRECTION SIGNALS

INDEX NO.PART NO.NAMEUSED ON

INDEX NO.	PART NO.	NAME	USED ON
2073W-1	990W	SCREW, No. 6-32 x 3/16 fil. hd. (3)	66 to * - DEC
23	2632W	SCREW, No. 8-32 x 7/16 rd. hd.	66 to * - DEC
34	2639W	SCREW, No. 8 x 5/8 self-tapping (2)	66 to * - DEC
45	2681W	SCREW, No. 10-32 x 5/8 rd. hd. (4)	66 to * - DEC
56	6182W	WASHER, No. 10 x 7/16 x 1/32 (8)	66 to * - DEC
8/6768-67	6189W	WASHER, No. 8 x 13/32 x 1/32	66 to * - DEC
79	6807W	WASHER, 1/2 x 3/4 x 1/32	66 to * - DEC
810	7115	LOCKWASHER, flasher clip, No. 8 int. tooth	66 to * - DEC
911	7118	LOCKWASHER, No. 10 int. tooth (4)	66 to * - DEC
12/7149-1013	7230	LOCKWASHER, 1/4 int. & ext. tooth (2)	66 to * - DEC
1114	7608	NUT, No. 8-32 x 3/32 x 5/16 hex.	66 to * - DEC
1215	7688	NUT, 1/4-20 x 1/4 x 1/2 hex. (2)	66 to * - DEC
1316	9902	WIRE TERMINAL, front lamp, No. 10	67 to * - DEC
1417	9954	BRACKET, flasher mounting	66 to * - DEC
1518	9982	WIRE CLIP, front lamps (2)	66 to * - DEC
1619	68016-65	REAR LAMP, less cable (red lens) <i>VOID 69</i>	66 to * - DEC
1724	68091-60A	LENS, rear lamp (red)	66 to * - DEC
1821	68107-55	RETAINING SPRING, lamp lens (rear)	66 to * - DEC
1922	68125-59A	GASKET, direction lamp lens (rear lamp)	66 to * - DEC
2023	68521-63	GASKET, direction lamp lens (front lamp)	66 to * - DEC
2124	68529-64	FRONT LAMP, with cable (amber lens) (2)	66 - DEC
68552-70 68550-70	68529-67	FRONT LAMP, with cable (amber lens) (2)	67 to * - DEC
	68532-66A	DIRECTION SIGNAL LAMP KIT, complete <i>VOID 69</i>	66 to * - DEC
2225	68535-67	PILOT LAMP	67 to * - DEC
2326	68543-64A	FLASHER	66 to * - DEC
27 68552-70	2431 68571-63	LENS, front lamp (amber)	66 to * - DEC
29 68564-60	2532 68572-64A	BULB	66 to * - DEC
29 68565-60	2633 68576-63B	SOCKET AND WIRE, front lamps	66 to * - DEC
30 68566-60	2734 68586-63	SCREW, lamp lens (2) (front lamps)	66 to * - DEC
	2835 70008-66	WIRE, flasher to light switch	66 to * - DEC
	36 70087-64A	WIRE, toggle switch to flasher	66 to * - DEC
	29367 70090-64	WIRE, front lamp ground (2) <i>VOID 69</i>	66 to * - DEC
	30378 70242-67	CABLE, front lamps	67 to * - DEC
	31389 70290-65	CABLE, rear lamp to terminal block (2) <i>VOID 69</i>	66 to * - DEC
	32440 70306-64A	CABLE, terminal blocks to toggle switch	66 to * - DEC
11/71090-64	3342 71505-64	DIRECTION SIGNAL TOGGLE SWITCH	66 to * - DEC

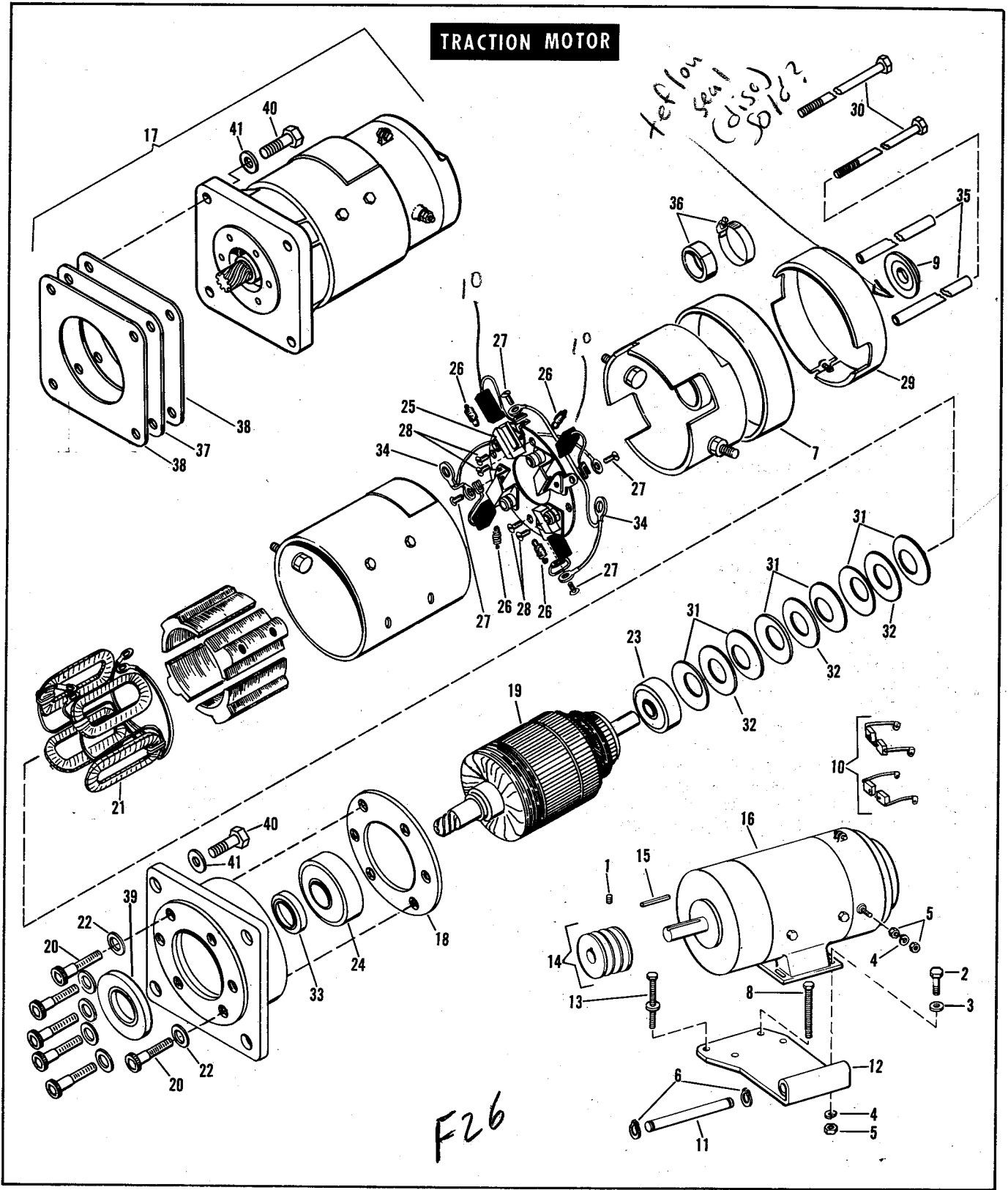
VOID DEC 69

see gas car illustration

VOID 71

# TRACTION MOTOR

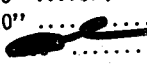
*Teflon seal  
(disc) 30*



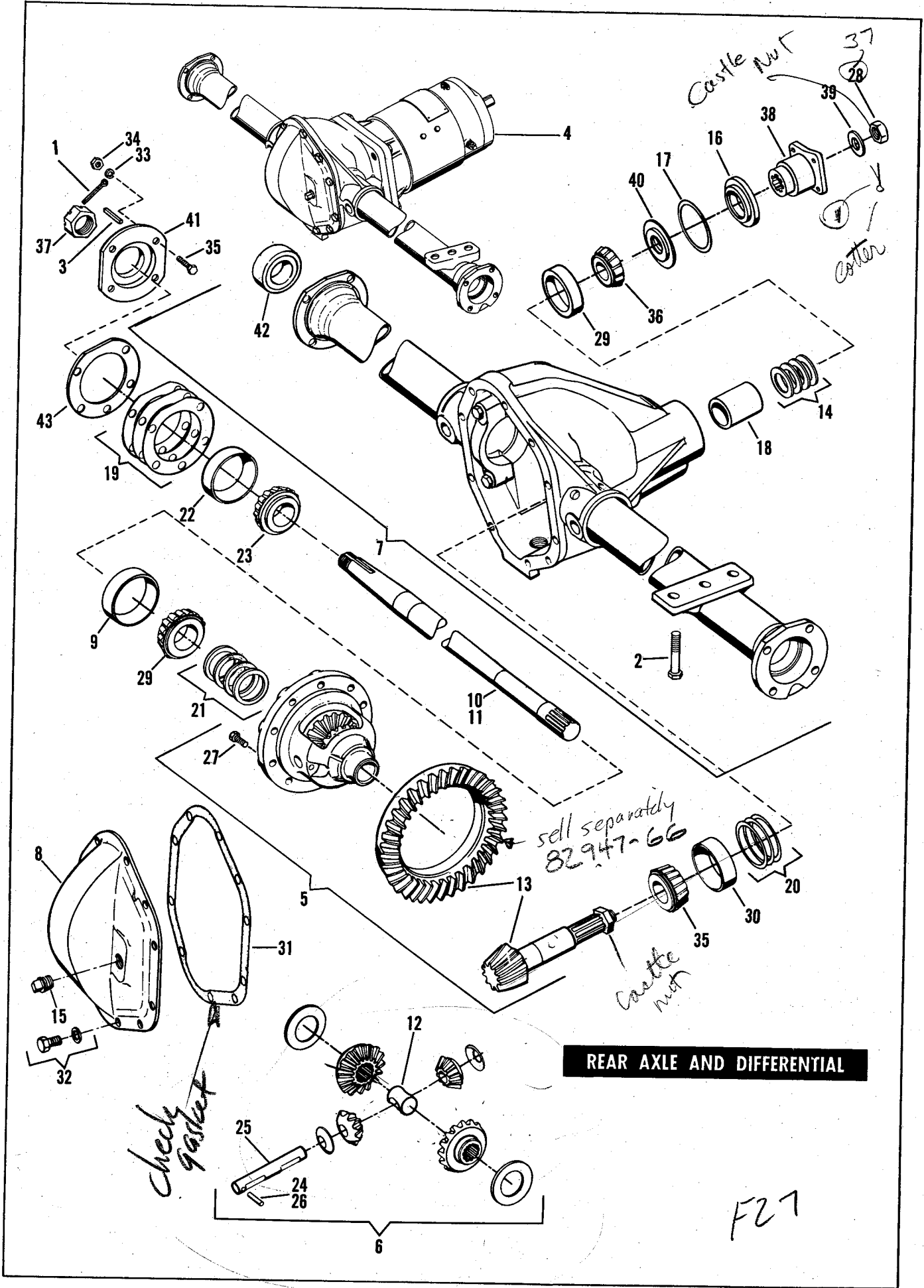
F26



# TRACTION MOTOR

INDEX NO.	PART NO.	NAME	USED ON
1	3233	SET SCREW, 1/4-28 x 1/4 socket hd. (2)	63 to 65 - DE, DEF, DEC
2	3991	BOLT, 5/16-18 x 7/8 hex. hd. (4)	63 to 65 - DE, DEF, DEC
3	<del>6328</del> 6319HW	WASHER, 5/16 x 11/16 x 1/16 (4)	63 to 65 - DE, DEF, DEC
4	<del>7040</del> 7041	LOCKWASHER, 5/16 (8)	63 to 65 - DE, DEF, DEC
5	7748W	NUT, 5/16-18 x 17/64 x 1/2 hex. (8)	63 to 66 - DE, DEF, DEC
6	11031	RETAINING RING (2)	63 to 65 - DE, DEF, DEC
7	31496-67	RUBBER BAND, motor brush cover (2)	67 to * - DE, DEC
8	41576-36	ADJUSTING SCREW, motor	63 to 65 - DE, DEF, DEC
9	47749-67A	MOISTURE SEAL, commutator end shaft <i>* Kouu then ship A</i>	Late 67 to * - DE, DEC *
10	70491-63	SET OF MOTOR BRUSHES (4 in set)	63 to 65 - DE, DEF, DEC
11	70492-63	PIVOT PIN, motor mounting	63 to 65 - DE, DEF, DEC
12	70493-63	MOUNTING PLATE, motor	63 to 65 - DE, DEF, DEC
13	70496-63	ADJUSTING SCREW, motor	63 to 65 - DE, DEF, DEC
14	70497-63	MOTOR SHEAVE, with set screws	63 to 65 - DE, DEF, DEC
15	70498-63	KEY, motor shaft	63 to * - DE, DEF, DEC
16	70499-63	TRACTION MOTOR	63 to 65 - DE, DEF, DEC
17	70499-66A	TRACTION MOTOR, complete with mounting shims <i>66 o.u. Shim A</i>	66 to * - DE, DEC
18	72370-66	BEARING RETAINER, drive end	66 to * - DE, DEC
19	72371-66	ROTOR	66 to * - DE, DEC
20	72372-66	BOLT, bearing retainer (6)	66 to * - DE, DEC
21	72373-66	SET OF FIELD COILS	66 to * - DE, DEC
22	72374-66	WASHER, bearing retainer (6)	66 to * - DE, DEC
23	72380-66	BALL BEARING, commutator end	66 to * - DE, DEC
24	72381-66	BALL BEARING, drive end	66 to * - DE, DEC
25	72382-66	BRUSH MOUNTING PLATE, with springs	66 to * - DE, DEC
26	72383-66	BRUSH SPRING (4)	66 to * - DE, DEC
27	72384-66	SCREW, brush lead (4)	66 to * - DE, DEC
28	72385-66	SCREW, brush mounting plate (4)	66 to * - DE, DEC
29	72386-66	BRUSH COVER	66 to * - DE, DEC
30	72388-66	THRU-BOLT (2)	66 to * - DE, DEC
31	72389-66	SPRING WASHER (6)	66 to * - DE, DEC
32	72390-66	SHIM WASHER (3)	66 to * - DE, DEC
33	72391-66	BEARING COLLAR	66 to * - DE, DEC
34	72392-66	BRUSH LEAD (2)	66 to * - DE, DEC
35	72387-66	INSULATING TUBE, thru-bolt (2)	66 & Early 67 - DE, DEC
36	72395-66	REPAIR KIT, traction motor moisture seal	66 to * - DE, DEC
37	83080-66	SHIM, motor mounting - .003"	66 to * - DE, DEC
	83081-66	SHIM, motor mounting - .005" <i>* ouu</i>	66 to * - DE, DEC
	83082-66	SHIM, motor mounting - .010"	66 to * - DE, DEC
38	83083-66	GASKET, motor mounting - 	66 to * - DE, DEC
39	83086-66	OIL SEAL, motor	66 to * - DE, DEC
40	83088-66	BOLT, motor mounting (4)	66 to * - DE, DEC
41	83089-66	WASHER, motor mounting (4)	66 to * - DE, DEC

NOTE: Asterisk (\*) indicates part is used on 1968 models (see GENERAL INFORMATION)



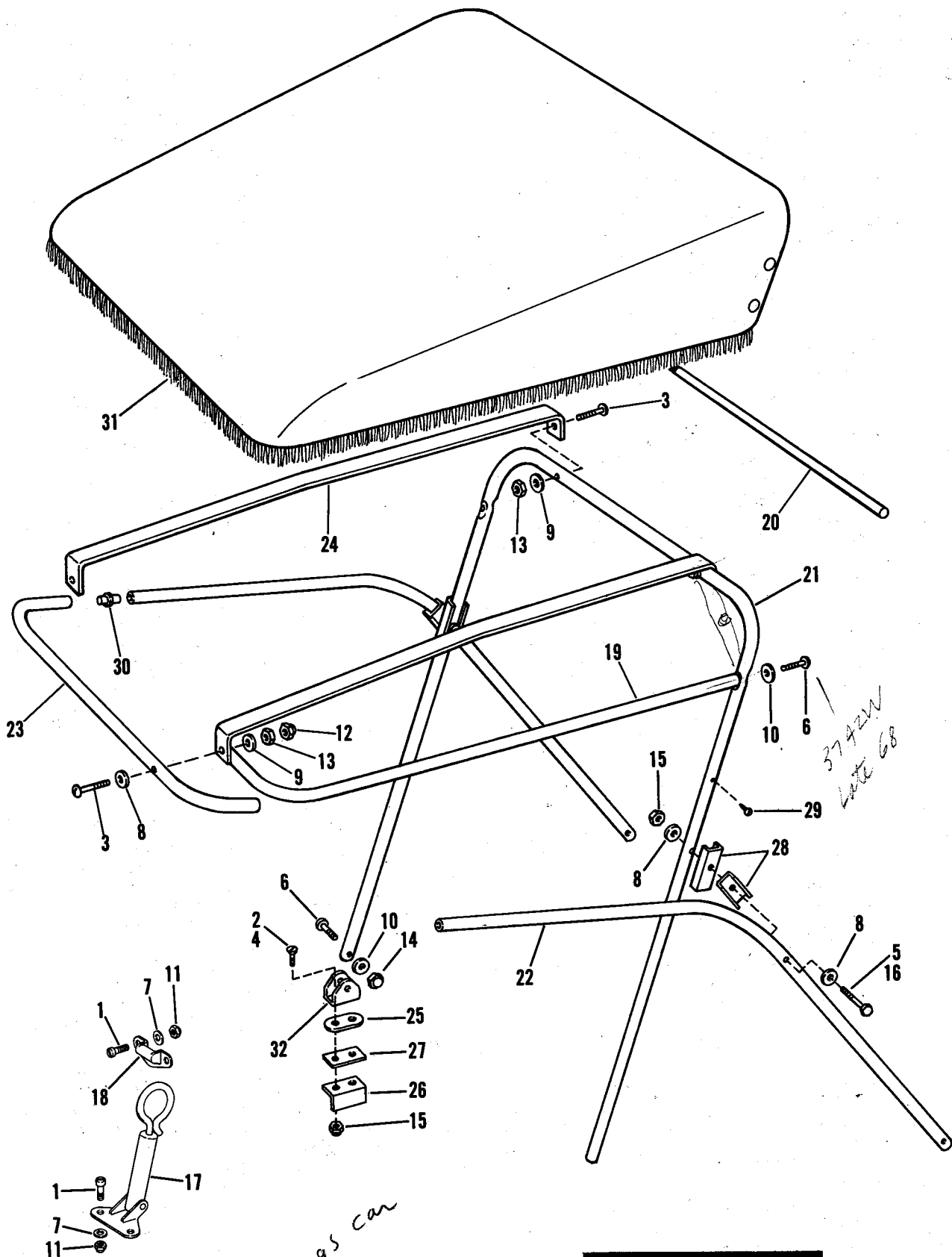
**REAR AXLE AND DIFFERENTIAL**

# REAR AXLE AND DIFFERENTIAL

INDEX NO.	PART NO.	NAME	USED ON
1	559	COTTER PIN, 1/8 x 1-1/4 (2)	
2	4289	BOLT, 3/8-24 x 3/4 hex. hd. (4)	63 to * - DE, DEF, DEC
3	41204-63A	KEY, axle shaft (2)	63 to 65 - DE, DEF, DEC
	82806-63A	REAR AXLE ASSEMBLY, complete	63 to * - DE, DEF, DEC
4	82806-66	REAR AXLE ASSEMBLY, complete	63 to 65 - DE, DEF, DEC
	82806-66A	REAR AXLE ASSEMBLY, complete with motor	66 to * - DE, DEC
5	82811-63	DIFFERENTIAL ASSEMBLY, complete	68 - DE, DEC
	82812-66	DIFFERENTIAL ASSEMBLY, complete	63 to 65 - DE, DEF, DEC
6	82814-63	DIFFERENTIAL SIDE GEAR AND PARTS KIT	66 to * - DE, DEC
7	82819-63	GEAR CARRIER HOUSING AND TUBE ASSEMBLY	63 to 65 - DE, DEF, DEC *
8	82821-63	AXLE HOUSING COVER, with plug	63 to 65 - DE, DEF, DEC
	82821-66	AXLE HOUSING COVER, with plug	63 to 65 - DE, DEF, DEC
	82821-68	AXLE HOUSING COVER, with plug	66 & 67 - DE, DEC
9	82844-63	CUP, differential bearing (2)	68 - DE, DEC
10	82872-63	AXLE SHAFT, right. 16 7/8"	63 to 65 - DE, DEF, DEC *
11	82874-63	AXLE SHAFT, left. 18 7/16"	63 to * - DE, DEF, DEC
12	82901-63	SPACER, axle shaft	63 to * - DE, DEF, DEC
13	82949-63	MATCHED PINION AND GEAR, with nut	63 to 65 - DE, DEF, DEC *
14	83032-63	SHIM, pinion bearing adjusting - .003"	63 to 65 - DE, DEF, DEC
	83033-63	SHIM, pinion bearing adjusting - .005"	63 to 65 - DE, DEF, DEC
	83034-63	SHIM, pinion bearing adjusting - .010"	63 to 65 - DE, DEF, DEC
	83035-63	SHIM, pinion bearing adjusting - .030"	63 to 65 - DE, DEF, DEC
15	83040-63	PLUG, differential cover	63 to 65 - DE, DEF, DEC
	83041-66	PLUG, differential cover	63 to 65 - DE, DEF, DEC
16	83051-63	OIL SEAL, pinion	66 to * - DE, DEC
17	83052-63	GASKET, pinion oil seal	63 to 65 - DE, DEF, DEC
18	83053-63	SPACER, pinion bearing	63 to 65 - DE, DEF, DEC
19	83062-63	SHIM, wheel bearing adjusting - .005"	63 to 65 - DE, DEF, DEC
	83063-63	SHIM, wheel bearing adjusting - .010"	63 to * - DE, DEF, DEC
	83064-63	SHIM, wheel bearing adjusting - .030"	63 to * - DE, DEF, DEC
20	83072-63	SHIM, pinion cup adjusting - .003"	63 to * - DE, DEF, DEC
	83073-63	SHIM, pinion cup adjusting - .005"	63 to 65 - DE, DEF, DEC
	83074-63	SHIM, pinion cup adjusting - .010"	63 to 65 - DE, DEF, DEC
21	83096-63	SHIM, differential bearing - .003"	63 to 65 - DE, DEF, DEC
	83097-63	SHIM, differential bearing - .005"	63 to 65 - DE, DEF, DEC *
	83098-63	SHIM, differential bearing - .010"	63 to 65 - DE, DEF, DEC *
	83099-63	SHIM, differential bearing - .030"	63 to 65 - DE, DEF, DEC *
22	83100-63	CUP, wheel bearing (2)	63 to 65 - DE, DEF, DEC *
23	83102-63	CONE WITH ROLLERS, wheel bearing (2)	63 to * - DE, DEF, DEC
24	83103-63	LOCK PIN, pinion mate shaft	63 to * - DE, DEF, DEC
25	83104-63	PINION MATE SHAFT	63 to 65 - DE, DEF, DEC
26	83105-66	LOCK PIN, pinion mate shaft	63 to 65 - DE, DEF, DEC *
27	83106-63	BOLT, drive gear (10)	66 to * - DE, DEC
28	83108-63	PINION NUT	63 to 65 - DE, DEF, DEC *
29	83111-63	CONE WITH ROLLERS, differential bearing (2)	63 to 65 - DE, DEF, DEC
30	83112-63	CUP, pinion bearing (2)	63 to 65 - DE, DEF, DEC *
31	83113-63	COVER GASKET	63 to 65 - DE, DEF, DEC
	83113-66	COVER GASKET	63 to 65 - DE, DEF, DEC
32	83115-63	SCREW WITH LOCKWASHER (9)	66 to * - DE, DEC
33	83117-63	LOCKWASHER, axle tube flange (8)	63 to 65 - DE, DEF, DEC *
34	83118-63	NUT, axle tube flange (8)	63 to * - DE, DEF, DEC
35	83119-63	BOLT, axle tube flange (8)	63 to * - DE, DEF, DEC
36	83120-63	CONE WITH ROLLERS, pinion bearing (2)	63 to * - DE, DEF, DEC
37	83131-63	NUT, axle shaft (2)	63 to 65 - DE, DEF, DEC
38	83132-63	DRIVE PINION YOKE	63 to * - DE, DEF, DEC
39	83133-63	WASHER, pinion nut	63 to 65 - DE, DEF, DEC
40	83134-63	OIL SLINGER, pinion	63 to 65 - DE, DEF, DEC
41	83162-63	OIL SEAL, axle end (2)	63 to 65 - DE, DEF, DEC
42	83163-63	OIL SEAL, axle tube (2)	63 to * - DE, DEF, DEC
43	83165-63	RETAINER, wheel bearing	63 to * - DE, DEF, DEC

*use to present*

NOTE: Asterisk (\*) indicates part is used on 1968 models (see GENERAL INFORMATION)

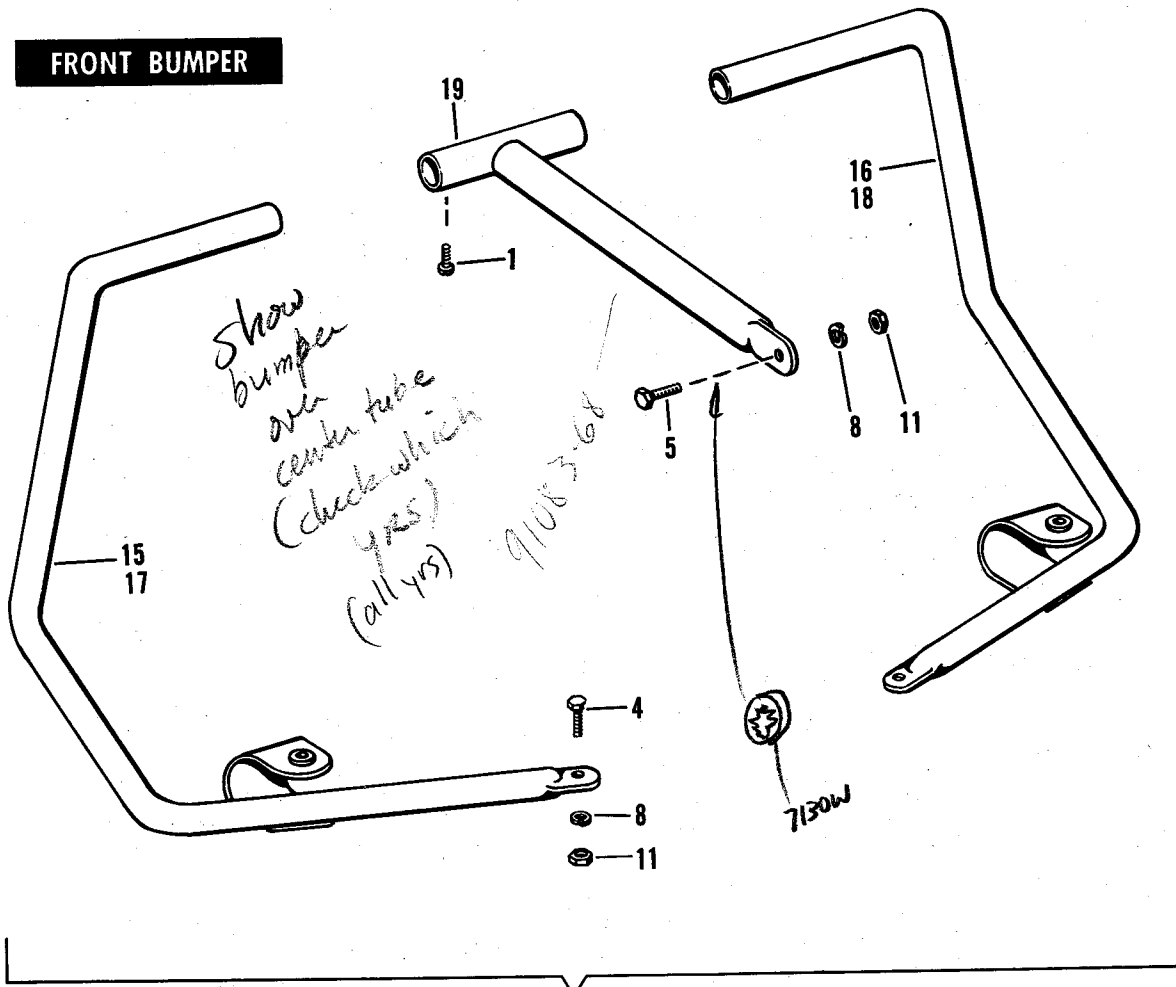


# TOP AND FITTINGS

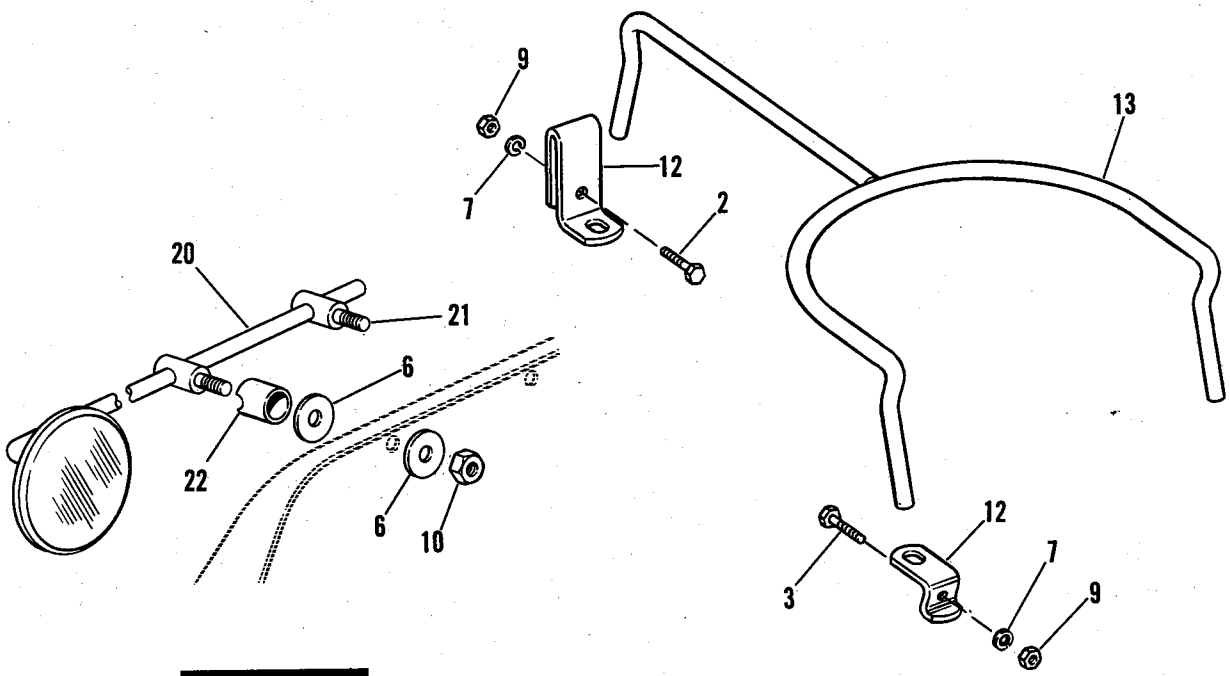
INDEX NO.	PART NO.	NAME	USED ON
1	1210HW	SCREW, No. 10-32 x 5/8 fil. hd. (4)	65 to * - DE
2	1872W	SCREW, 1/4-20 x 5/8 ctsk. hd. (8)	63 & Early 64 - DE
	2336	SCREW, 1/4-20 x 1-1/8 ov. hd. (8)	66 to * - DE <i>Early 69</i>
3	<del>2744W</del> 2742W	SCREW, No. 12-24 x 2 rd. hd. (6)	63 to * - DE
4	2776W	SCREW, 1/4-20 x 7/8 ctsk. hd. (8)	Late 64 & 65 - DE
5	2799W	SCREW, 1/4-28 x 1-3/4 rd. hd. (2)	63 & Early 64 - DE
6	2812W	SCREW, 1/4-28 x 1-1/4 rd. hd. (6)	63 to * - DE
7	6182W	WASHER, No. 10 x 7/16 x 1/32 (6)	65 to * - DE
8	6218W	WASHER, 1/4 x 7/16 x 1/32 (4)	63 to * - DE
9	7121	LOCKWASHER, No. 12 int. tooth (6)	63 to * - DE
10	7124	LOCKWASHER, 1/4 int. tooth (6)	63 to * - DE
11	7626W	LOCK NUT, No. 10-32 (4)	63 to * - DE
12	7651	ACORN NUT, No. 12-24 (4)	63 to * - DE
13	7654W	NUT, No. 12-24 x 5/32 x 7/16 hex. (6)	63 to * - DE
14	7679 <i>372W</i>	ACORN NUT, 1/4-28 (4)	63 to * - DE
15	7686	LOCK NUT, 1/4-20 (10)	63 to * - DE
16	<del>25453-47</del>	SCREW, 1/4-20 x 2-5/16 Phil. hd. (2)	63 to * - DE
	89400-63 <i>D</i>	TOP, complete with fittings <i>(w/ Fringe)</i>	Late 64 to * - DE
	<del>89401-65</del>	SUN TOP REINFORCING KIT	63 to * - DE
17	89402-65	BODY HOLD DOWN FASTENER	63 & Early 64 - DE
18	89403-65	CATCH, hold down fastener	63 to * - DE
19	89407-63	UPPER REINFORCEMENT TUBE (2)	63 to * - DE
20	89408-63	STIFFENER DOWEL	63 to * - DE
21	89410-63	REAR SUPPORT TUBE	63 to 65 - DE
	89410-65A	REAR SUPPORT TUBE	63 - DE
22	89412-63	SIDE SUPPORT TUBE (2)	64 to * - DE
	89412-64	SIDE SUPPORT TUBE (2)	63 - DE
	89412-65	SIDE SUPPORT TUBE (2)	64 & Early 65 - DE
23	89416-63 <i>A</i>	FRONT TUBE	Late 65 to * - DE
24	89418-63	TOP STRAP (2)	63 to * - DE
25	89419-65 <i>A</i>	TOP PLATE, mounting bracket (4)	63 to * - DE
26	89420-63	REINFORCEMENT PLATE (4)	Late 65 to * - DE
	89420-64	REINFORCEMENT PLATE, (4)	63 & Early 64 - DE
	89420-65 <i>A</i>	REINFORCEMENT PLATE (4)	Late 64 & Early 65 - DE
27	89421-65	RUBBER PAD, body (4)	Late 65 to * - DE
28	89423-64	REINFORCEMENT, side supports (4)	Late 65 to * - DE
29	89424-63	SNAP STUD (2)	63 to * - DE
30	89426-63	CONNECTING PLUG (2)	63 to * - DE
	89426-65	CONNECTING PLUG (2)	63 to 65 - DE
31	89428-63B	TOP COVERING, <i>w/ Fringe</i>	66 to * - DE
32	89432-63 <i>A</i>	MOUNTING BRACKET (4)	63 to * - DE

NOTE: Asterisk (\*) indicates part is used on 1968 models (see GENERAL INFORMATION)

**FRONT BUMPER**



14



**MIRROR**

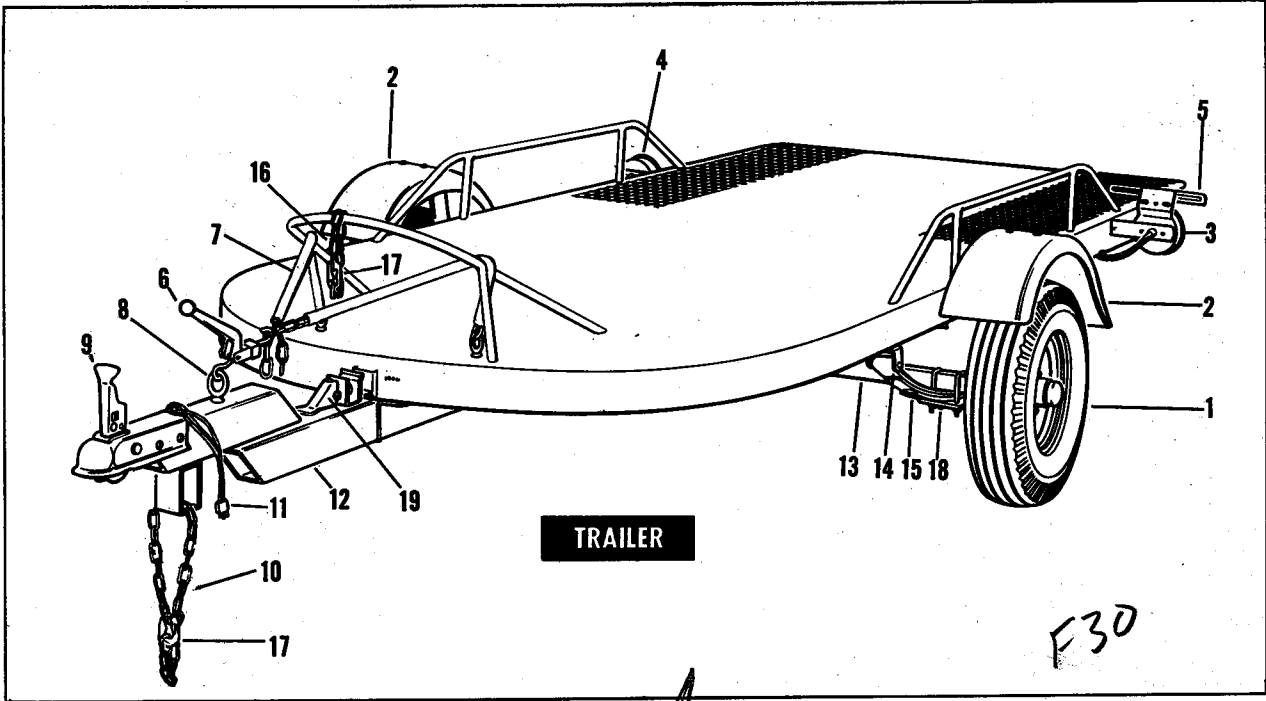
**TOW BAR**

F29

# FRONT BUMPER, TOW BAR, MIRROR

INDEX NO.	PART NO.	NAME	USED ON
1	2764W	SCREW, 1/4-20 x 5/8 self-tapping Phil. hd. (2)	63 to * - DE, DEF, DEC
2	4012	BOLT, 5/16-24 x 1-1/8 hex. hd. (2)	63 to * - DE, DEF
3	4042HW	BOLT, 5/16-24 x 1-7/8 hex. hd.	63 to * - DE, DEF
4	4320B	BOLT, 3/8-24 x 1 hex. hd. (3)	63 to * - DE, DEF, DEC
5	4336W	BOLT, 3/8-24 x 1-1/8 hex. hd.	63 to * - DEF, DEC
6	6415W	WASHER, 3/8 x 1-1/8 x 3/32 (4)	63 to * - DEF, DEC
7	7041	LOCKWASHER, 5/16 (3)	63 to * - DE, DEF, DEC
8	7045	LOCKWASHER, 3/8 (3)	63 to * - DE, DEF, DEC
9	7753	NUT, 5/16-24 x 3/16 x 1/2 hex. (3)	63 to * - DE, DEF
10	7776W	LOCK NUT, 3/8-24 (2)	65 to * - DEF, DEC
11	<del>7798</del> 7792W	NUT, 3/8-24 x 21/64 x 9/16 hex. (3)	63 to * - DE, DEF, DEC
12	82003-65	SET OF TOW BAR BRACKETS, with fittings	63 to * - DE
13	82009-65	TOW BAR, only	63 to * - DE
14	91070-63	FRONT BUMPER ASSEMBLY, complete	63 to 67 - DE, DEF, DEC
	91070-63A	FRONT BUMPER ASSEMBLY, complete	68 DE, DEC <del>to *</del>
15	91071-68	BUMPER, left	68 DE, DEC <del>to *</del>
16	91072-68	BUMPER, right	68 DE, DEC <del>to *</del>
17	91075-63	BUMPER, left	63 to 67 - DE, DEF, DEC
18	91076-63	BUMPER, right	63 to 67 - DE, DEF, DEC
19	91082-63A	CENTER SUPPORT, front bumper	63 to 67 - DE, DEF, DEC
	91082-63B	CENTER SUPPORT, front bumper	68 DE, DEC <del>to *</del>
20	91872-65AB	REAR VIEW MIRROR, with fittings	65 to * - DEF, DEC
21	91887-48	EYE BOLT, rear view mirror (2)	65 to * - DEF, DEC
22	91890-48	COLLAR, eye bolt (2)	65 to * - DEF, DEC

**NOTE:** Asterisk (\*) indicates part is used on 1968 models (see GENERAL INFORMATION)



See gas can  
illustration



# TRAILER

INDEX NO.	PART NO.	NAME	USED ON
		<i>48300-60</i>	
	9033	WHEEL BEARING ASSEMBLY (4)	63 to * - DE, DEF, DEC
	<del>15980-63V</del>	<del>GOLF CAR TRAILER (Replaced by 89000-63V)</del>	
	68165-64	BULB, tail lamp (2)	63 to * - DE, DEF, DEC
	89000-63V	GOLF CAR TRAILER, complete	63 to * - DE, DEF, DEC
	89009-63	WHEEL ASSEMBLY, with tire & tube	63 to * - DE, DEF, DEC
1	89010-63	WHEEL RIM (2) <i>L.O.S. N.S.</i>	63 to * - DE, DEF, DEC
	<del>89016-63</del>	<del>WHEEL BEARING ASSEMBLY (4) (Replaced by 9033)</del>	
	89018-63	WHEEL LUG BOLT (8)	63 to * - DE, DEF, DEC
	89020-63	DUST CAP, wheel hub (2)	63 to * - DE, DEF, DEC
	89021-63	AXLE NUT (2)	63 to * - DE, DEF, DEC
	89022-63	WHEEL HUB (2)	63 to * - DE, DEF, DEC
	89023-63	COTTER PIN, axle nut (2)	63 to * - DE, DEF, DEC
	89024-63	SEAL, wheel hub (2)	63 to * - DE, DEF, DEC
2	89030-63	FENDER (2)	63 to * - DE, DEF, DEC
	89032-63	FENDER MOUNTING BOLT (4)	63 to * - DE, DEF, DEC
	89034-63	NUT, fender bolt (4)	63 to * - DE, DEF, DEC
	89036-63	WASHER, fender bolt (4)	63 to * - DE, DEF, DEC
3	89040-63A	TAIL LAMP ASSEMBLY, left	63 to * - DE, DEF, DEC
4	89041-63	TAIL LAMP ASSEMBLY, right	63 to * - DE, DEF, DEC
	<del>89042-63</del>	<del>BULB, tail lamp (Replaced by 68165-64)</del>	
	89043-63	LENS, tail lamp (2)	63 to * - DE, DEF, DEC
5	89045-63	LICENSE PLATE BRACKET	63 to * - DE, DEF, DEC
	89047-63	OUTLOOK LENS, left tail lamp <i>L.O.S.</i>	63 to * - DE, DEF, DEC
	89049-63	SPRING CLIP, tail lamp (2) <i>W.B. OBS</i>	63 to * - DE, DEF, DEC
6	89050-63	TIE-DOWN TENSIONER	63 to * - DE, DEF, DEC
7	89052-63	TIE-DOWN CHAIN (2)	63 to * - DE, DEF, DEC
8	89054-63	EYE BOLT, tie-down	63 to * - DE, DEF, DEC
9	89058-63	BALL HITCH REPAIR KIT <i>O.B.</i>	63 to * - DE, DEF, DEC
	89060-63	BALL HITCH SAFETY CATCH LEVER	63 to * - DE, DEF, DEC
10	89062-63	SAFETY CHAIN, trailer (long)	63 to * - DE, DEF, DEC
	89068-63	PLUG, wiring harness	63 to * - DE, DEF, DEC
11	89066-63	TRAILER WIRING HARNESS	63 to * - DE, DEF, DEC
	89067-63	TRUNK WIRING HARNESS	63 to * - DE, DEF, DEC
12	89070-63	TRAILER TONGUE ASSEMBLY	63 to * - DE, DEF, DEC
13	89074-63	AXLE	63 to * - DE, DEF, DEC
14	89076-63	SPRING FRONT MOUNTING BOLT (2)	63 to * - DE, DEF, DEC
	89080-63	NUT, spring front bolt (2)	63 to * - DE, DEF, DEC
	89082-63	SPRING SHACKLE (2) <i>car</i>	63 to * - DE, DEF, DEC
15	89085-63	SPRING, complete (2)	63 to * - DE, DEF, DEC
16	89087-63	SAFETY CHAIN, golf <del>cap</del> (short)	63 to * - DE, DEF, DEC
17	89088-63	HOOK, chain connecting (2)	63 to * - DE, DEF, DEC
18	89090-63	U-BOLT, spring mounting (4)	63 to * - DE, DEF, DEC
	89092-63	NUT, spring U-bolt (8)	63 to * - DE, DEF, DEC
	89094-63	PLATE, spring U-bolt (2)	63 to * - DE, DEF, DEC
19	89098-63	TILT LATCH ASSEMBLY	63 to * - DE, DEF, DEC

~~89068-63~~ *PLUG, wiring harness.*

# NUMERICAL INDEX

Part No.	Page	Part No.	Page	Part No.	Page	Part No.	Page	Part No.	Page
510	16	2629	46	3239W	9	4370 <sup>HB</sup>	5	6228W	41
515	3	2630W	16	3550	15	4380W	30		41
	5		25	3625	46	4411	11		48
	9	2632W	32	3669W	5	4427W	5	6236	37
	16		53		50	4434W	16	6240B	25
534	7	2634W	35	3728	16	5405B	16	6242W	5
559	11	2635W	30		30	5406B	16		30
	13		35		41	5420B	48		46
	57	2638W	25		41	5425W	27	6245B	25
610	3	2639W	50	3738	41	5482	23		44
990W	53		53		46		30	6253B <sup>W</sup>	13
1063W	48	2643	15	3741	46	5486W	23		30
1066W	30		30	3742W	23		30		44
1078W	15	2663	28	3767B	9		30	6255B	16
	23	2669W	41	3787	23	5903	30		21
	30	2672B	44		25	5914B	50		23
1183	41	2676C	15		30	5919	15		30
1199B	46		27	3791	50	5927	13	6257W	3
1202W	30	2679W	15	3794W	15		16		48
	46		44	3802W	41	5929	15	6261	21
	50	2680B	53		48	5930W	44		23
1207W	46	2681W	53	3825	44	5931B	46		28
1210HW	59	2582	15	<del>3847</del> 3840	16	5935	30		30
1354W	16	2684W	15	3855W <sup>B</sup>	13	5947W	21	6310B	5
1357W	16		48	3874B	30	5957W	30		41
1369	21	2686	5	3940	13	6030W	15	6316 <sup>B</sup> W	9
	48		44	3944W	41		16		35
1375	21		48	3953B	16		30	6316W	41
1420	30	2731W	15	3956	16	6051	16	6320	3
1661B	27	2744W	59	3959	16	6075W	16		25
	48	2758	21	<del>3966</del> 3996	9		41		30
1719W	15	2761W	21	3974 <sup>HW</sup>	23		44		55
	27	2763	48	3974HW	9	6102	13	6322B	3
	30	2764W	61		16		15		21
1761W	21	2765W	25		21		23	6327B	15
1762W	25	2766W	21		25		25	6329W	25
1763W	44		28		35		30	6332B	16
1768W	3		30		41		30	6338HB	50
1769W	44	2769W	21	3984	3		35	6341B	3
1770W	44	2772	32	3986	16	6107B	27		15
1872W	25		41	3991	3	6150W	5		16
	59		48		28	6165W	3	6375B	5
2065W	15	2776W	23		55		32	6395B	9
	30		30	4000	16		44	6415W	61
2073W	15		59	4005W	15	6182W	21	6418B	13
2336	13	2777W	13	4010	27		30	6440B	18
	15	2791W	25	4012	61		53	6565W	3
	16		30	4014W	16		59	6568B	18
	23		44	4019B	9	6186	15	6605B	28
	25	2793B	9	4020W	41	6187W	3	6678W	18
	30		44	4041W	11		5		25
	59		46	4042HW	61		25	6681	18
2345	25	2797B	9	4060W	9		30	6714W	13
	35	2798W	9	4052W	9		50	6722B	7
2352	23	2799W	44	4065	9	6189W	15	6801B	13
2402W	50		59	4072	9		25	6807W	46
2404B	25	2812W	59		21		27		53
2437W	27	2824W	27	4289	57		30	7010	44
2544	16	2836W	30	4293	9		35		48
2555W	44	2843	21	4320B	13		53	7015	46
2570W	44	3002W	21		61	6218W	11	7021	3
2575W	44		23	4323	9		59		15
2586	30	3201W	16	4336W	46	6228W	23		46
2620	46	3233	9		61		30	7025 <sup>W</sup>	15
2626W	46		55	4337W	50		30	7025W	25

# NUMERICAL INDEX

Part No.	Page	Part No.	Page	Part No.	Page	Part No.	Page	Part No.	Page
7025W	44	7145W	9	7683	41	8119W	48	31417 - 67	15
	48	7146	46		44	8121	15	31419 - 67	15
7030	28	7148W	50		50	8126	27	31420 - 67	15
7035B	9	7206W	18	7685	9	8127	46	31496 - 67	55
	18	7229W	30		18	8129B	15	32578 - 66	32
7036	23	7230	21	7686	18	8131W	15	33874 - 41	5
	25		30		23		32	35917 - 36	13
	30		48		32	8854	11	36393 - 63	9
	30		50		59	8858	9	36712 - 42	5
	41		53	7688	32	9033	7	38078 - 47	9
	41	7232	18		41	9902	53	40501 - 63	3
	44	7315	44		41	9914	41	40503 - 63	3
	46	7564	18		44	9916	41	40504 - 63A	3
	48	7572W	18		46	9918	41	40512 - 63	3
7040	9	7590	48		48	9920	41	40512 - 66	3
	18	7591W	41		50	9925	41	40512 - 68	3
	25		44		53	9933	41	40516 - 63	3
	27		46	7689W	25	9934	41	40516 - 68	3
	30	7608	25		30	9936	41	40518 - 63	3
	46		27		48	9945	41	40518 - 68	3
	50		32	7704	32	9946	41	40522 - 63	3
	55		53	7727	9	9954	53		44
7041	11	7609W	15		18	9958	32	40954 - 65	7
	15		27		25	9967	41	40955 - 65	7
	21		30	7728	9	9981	41	40956 - 66	7
	28		48	7729	9	9982	46	40958 - 67	7
	35	7613A	15	7735W	18		53	40964 - 66	7
	41		27	7737W	23	10010	18	40965 - 66	7
	61	7620W	15		30	10016	15	40966 - 65	7
7045	9		41	7739	3		41	41024 - 63	7
	13	7620W	25		18	10017	41	41024 - 66	7
	41		44	7744	5	10019	41	41199 - 63	7
	50		46		50		48	41199 - 66	7
	61		48	7748W	9	11000	5	41202 - 63	7
7055W	18	7624	3		15	11012	3		57
7060	18		5		25	11031	55	41421 - 63A	9
	28		21		27	11031	13	41421 - 64	9
7112	41	7625	15		32	11104	5	41424 - 63	9
	46	7626W	15		55	11411	50	41576 - 36	55
7115	18		28	7748W	18	11412	32	41728 - 63	9
	25		30	7753	5	<del>11419</del> 11418	18	41810 - 63A	9
	27		50		11	12009	11	41810 - 64	9
	32		59		27	15980 - 63V	63	41811 - 63B	9
	44	7631W	32		35	17483 - 57	44	41811 - 64	9
	46	7638	3		41	25451 - 47	32	41812 - 64	9
	53		15		46		48	41812 - 64A	9
7118	41		46		48	25453 - 47	59	41834 - 59	5
	44		48		61	29632 - 62	30	41834 - 67	5
	46		50	7775	5	30227 - 47	35	41841 - 63	9
	48	7639B	3		13	30460 - 32	32	42405 - 63A	5
	50	7651	59		18	31067 - 63	18	42405 - 66A	5
	53	7654W	46	7776W	61	31400 - 67	15	42479 - 63	5
7121	46	7654W	59	7779	50	31401 - 67	15	42479 - 63A	5
	59	7675	46	7782	9	31402 - 63A	15	42482 - 63	5
7124	15	7676	48		41	31403 - 64A	15	42483 - 63	5
	30	7677	46	7789	32	31404 - 63	15	42488 - 63	5
	41	7679	59	7793	13	31405 - 65A	21	42488 - 63A	5
	44	7682	23		61	31407 - 67	15	42490 - 67	5
	46		30	7908	18	31408 - 63	15	42494 - 63	5
	48		46		28	31410 - 63	15	42494 - 63A	5
	59	7683	13	7947W	7	31411 - 65	21	42501 - 67	5
7127	18		18		11	31413 - 63	15	42502 - 63	5
	48		21	7993	13	31414 - 63	15	42502 - 66	5
7130W	46		23	8115B	15	31415 - 67	15	42904 - 62	5
7138	46		30	8119W	30	31416 - 63	15	42908 - 62	5

# NUMERICAL INDEX

Part No.	Page	Part No.	Page	Part No.	Page	Part No.	Page	Part No.	Page
43016 - 66	7	47745 - 63	9	50290 - 65	30	52106 - 63	21	57062 - 67	13
43017 - 63	7	47745 - 66	9	50292 - 65	30	52107 - 63	21	57063 - 67	13
43017 - 66	7	47745 - 67	9	50293 - 65	30		23	57065 - 67	13
43035 - 66	7	47746 - 66	9	50294 - 65	23	52111 - 64	25	57068 - 67	13
43152 - 63	7	47748 - 67	9		30	52113 - 64	25	57069 - 67	11
43152 - 66	7	47749 - 67	55	50295 - 65	30	52114 - 64	25	57072 - 67	13
43156 - 63	7	47751 - 63	5	50296 - 65	30	52121 - 64	25	57073 - 67	13
43158 - 65	7	48360 - 47	11	50297 - 65	30	52122 - 64	25	57075 - 67	13
43486 - 65	7	49404 - 61	18	50298 - 65	30	52134 - 63	21	57077 - 67	13
43490 - 63	7	50125 - 66	18	50299 - 65	30	52135 - 63	21	57078 - 67	13
43490 - 65	7	50199 - 65	28	50300 - 65	18	52140 - 64	25	57081 - 67	13
43493 - 65	7	50209 - 63A	15	50303 - 66A	16	52145 - 66A	23	57082 - 67	13
43600 - 63	7	50209 - 65	15	50304 - 66	16	52147 - 66	23	57083 - 67	13
43600 - 65	7	50209 - 66	15		32	52152 - 66	23	57084 - 67	13
43614 - 63	7	50218 - 63	15	50320 - 66	32	52157 - 66	23	57085 - 67	13
43614 - 66	7	50221 - 66A	32	50322 - 66	32	52159 - 66	23	57086 - 67	13
43732 - 63	7	50222 - 66A	32	50325 - 66A	32	52161 - 66	23	57087 - 67	13
43733 - 47	37	50240 - 66	18	50328 - 66	32	52163 - 66	23	57088 - 67	13
43738 - 63	7	50241 - 67	27	50329 - 66	32	52165 - 66	23	57090 - 67	13
43874 - 63A	7	50242 - 65A	28	50340 - 67	27	52167 - 66	23	57980 - 66	32
43874 - 65	7	50242 - 66A	28	50345 - 67	27	52169 - 66	23	57981 - 66	32
44909 - 63	18	50243 - 66	18	50346 - 67A	27	52169 - 67	23	57982 - 66	32
44911 - 63	18	50243 - 67	18	50350 - 66	32	52171 - 66B	23	57992 - 66	32
44912 - 63	18	50244 - 65	18	50514 - 63B	18	52173 - 66	23	58007 - 66	35
	25	50244 - 66	18	50514 - 63C	18	52175 - 66A	23	58014 - 66	35
44913 - 63A	18	50244 - 67	18	50514 - 67	18	52177 - 66	23	58015 - 66	35
44914 - 63	18	50246 - 63	27	50514 - 67A	18	52179 - 66A	23	58016 - 66	32
44915 - 63A	18	50247 - 65	30	50519 - 63A	18	52181 - 66A	23	58048 - 66	35
44917 - 63	18	50252 - 63	27	50519 - 67	18	52183 - 66	23	58055 - 66	32
45070 - 51A	5	50253 - 63	15	50525 - 64	25	52187 - 66	23	58056 - 66	32
45111 - 51	5	50253 - 65	15	50528 - 67	16	52190 - 67	21	58066 - 66	35
45137 - 51	5	50253 - 66A <sup>B</sup>	15	50529 - 67	16	52632 - 65A	21	58070 - 66	35
45138 - 63	5	50254 - 63	27	50530 - 63	16	52632 - 67	21	58071 - 66	35
45161 - 51A	5	50255 - 63	15	50531 - 63	16	52633 - 65	21	58072 - 66	35
45525 - 63A	11	50255 - 65	15	50532 - 63	16	52633 - 65A	21	58073 - 66	35
45526 - 67	11	50255 - 66A	15	50533 - 63	16	52633 - 67	21	58102 - 49	16
<del>45527 - 63</del>	<del>11</del>	50260 - 63	16	50533 - 65A	16	62636 - 64	25	58110 - 66	35
45581 - 67	13	50260 - 66B	16	50534 - 63	16	52637 - 64	25	58111 - 66	35
45584 - 63A	13	50263 - 63	27	50534 - 65A	16	53482 - 63	18	58112 - 66	35
45586 - 63	11	50264 - 66	27	50536 - 63	16	53486 - 63A	18	58123 - 66	32
45587 - 63	11	50264 - 67	27	50536 - 66	16	53487 - 65	18	58125 - 66	32
45587 - 65	11	50267 - 64A	27	50537 - 64	16	53488 - 65	19	58126 - 66	32
45588 - 63	11	50270 - 63A	18	50537 - 65	16	53488 - 67	19	58128 - 66	32
45593 - 63	11	50271 - 65	18	50540 - 65	25	53489 - 65	19	58130 - 66	32
45594 - 63	11	50272 - 63	27	52033 - 66	21	53491 - 65	19	58131 - 66	32
45595 - 63	11	50273 - 63	18		28	53494 - 63	19	58132 - 66	32
45599 - 63	11	50274 - 63	27	52037 - 66	28	53494 - 65	19	59013 - 64	16
45630 - 63	11	50274 - 65	28	52043 - 64	25	53494 - 67	19	59013 - 66	16
45736 - 47	11	50275 - 63	18	52045 - 63	21	53495 - 63A	19	59146 - 52	46
46049 - 63A	11	50275 - 66	18	52046 - 63	21	53496 - 67	19	59598 - 63	27
46201 - 52	11	50275 - 66	27	52049 - 63A	21	54514 - 66	19	59607 - 64	27
47018 - 63	18	50276 - 63	27	52049 - 63B	21	54524 - 66	19	59618 - 64	27
47018 - 66	18	50277 - 67	18	52051 - 63B	21	54562 - 66	19	59723 - 64	27
47018 - 67	18	50278 - 65	27	52051 - 63C	21	54564 - 66	19	59794 - 63A	27
47019 - 65	18	50278 - 67	27	52052 - 64	25	57006 - 63	11	59845 - 47	23
47019 - 66A	18	50279 - 65	27	52053 - 64	25	57006 - 65	11		30
47300 - 66	18	50279 - 67	27	52054 - 65	21	57008 - 63	13	60000 - 65	65
47461 - 66	18	50280 - 63A	27	52064 - 66	21	57011 - 63	13	60031 - 61	27
47461 - 66A	18	50281 - 64	25	52064 - 67	21	57017 - 63	13		32
47524 - 66	18	50281 - 67	27	52065 - 66A	21	57021 - 63A	13	61763 - 63	16
47740 - 63	5	50282 - 64	25	52065 - 67	21	57025 - 63B	13	61771 - 66	16
47740 - 66	5	50283 - 65	16	52088 - 65	21	57029 - 63	16		32
47743 - 63	5	50283 - 66	16	52088 - 65A	21		32	64000 - 63A	16
47744 - 63A	9	50284 - 66	18	52088 - 67	21	57031 - 63	13	64000 - 66	16
47744 - 66	9	50289 - 65	30	52105 - 52	41	57032 - 66	32	64003 - 67	16

# NUMERICAL INDEX

Part No.	Page	Part No.	Page	Part No.	Page	Part No.	Page	Part No.	Page
64004 - 67	16	66493 - 67	41	70066 - 66	43	70458 - 67	43	71798 - 66	3
64009 - 63	16	66495 - 63	39	70087 - 64A	53	70459 - 67	44	71820 - 63A	46
	21	66496 - 67	41	70090 - 64	53	70460 - 67	44	71841 - 63	48
64511 - 63	16	66498 - 63	39	70095 - 63	43	70461 - 67	44	71850 - 63	46
	32	<del>67705 - 64A</del>	50	70095 - 66	43	70462 - 67	44	71851 - 63	46
	35	67707 - 66A	32	70096 - 63	43	70463 - 67	44	71852 - 63	46
66008 - 63	37		50	70096 - 66	43	70464 - 67	44	71853 - 63	46
66010 - 63	37	67713 - 59	50	70108 - 63A	43	70465 - 67	44	72004 - 39	48
66017 - 63	37	67713 - 66	50	70109 - 63	43	70466 - 67	44	72007 - 67	48
66017 - 67	37	67714 - 59	50	70109 - 64	43	70467 - 67	44	72017 - 39	48
66030 - 67	48	67715 - 59	50	70109 - 66	43	70468 - 67	44	72018 - 67	48
66031 - 63	39	67715 - 66	50	70132 - 64	43	70470 - 67	44	72024 - 67	48
	41	67717 - 65	50	70155 - 66	43	70471 - 67	44	72028 - 67	48
	46	67719 - 66	50	70172 - 63	44	70472 - 67	44	72046 - 63	48
66034 - 63A	39	67721 - 48	50	70172 - 66	44	70491 - 63	55	72370 - 66	55
66035 - 63	39	67730 - 66	50	70174 - 66	43	70492 - 63	55	72371 - 66	55
66036 - 63A	39	67753 - 66	50	70175 - 66	43	70493 - 63	55	72372 - 66	55
66037 - 63	39	67765 - 66	50	70188 - 66	43	70496 - 63	55	72373 - 66	55
66038 - 63	39	67808 - 64	50	70194 - 63	43	70497 - 63	55	72374 - 66	55
66039 - 63	39	67815 - 59A	50	70194 - 66	43	70498 - 63	9	72380 - 66	55
66039 - 64	39	67826 - 55	32	70197 - 63	43		55	72381 - 66	55
66040 - 63	39	68015 - 65	50	70197 - 66	43	70499 - 63	55	72382 - 66	55
66041 - 63	39	68016 - 65	50	70198 - 63	43	70499 - 66A	55	72383 - 66	55
66042 - 63	39		53	70198 - 66	43	70580 - 67	44	72384 - 66	55
66044 - 63	39	68091 - 60A	50	70199 - 63A	43	70592 - 67	44	72385 - 66	55
66045 - 63	39		53	70200 - 64	43	71020 - 67	48	72386 - 66	55
66046 - 63	39	68094 - 65	50	70214 - 66	43	71021 - 67	48	72387 - 66	55
<del>66047 - 63</del>	<del>39</del>	68107 - 55	50	70216 - 66	43	71022 - 63	48	72388 - 66	55
<del>66048 - 63</del>	<del>39</del>		53	70219 - 66	43	71023 - 63	46	72389 - 66	55
66051 - 63	39	68125 - 59A	50	70220 - 66	43	71023 - 65	46	72390 - 66	55
66052 - 63	39		53	70221 - 66	43	71027 - 67	48	72391 - 66	55
66053 - 63	39	68127 - 65	50	70222 - 66	43	71030 - 67	48	72392 - 66	55
66053 - 65	39	68142 - 65	50	70223 - 66A	43	71470 - 63A	48	72395 - 66	55
66054 - 63	39	68143 - 65	50	70224 - 66	43	71471 - 67	48	73063 - 61	5
66055 - 65	39	68145 - 65	50	70225 - 63	43	71475 - 63	46	73092 - 61A	5
66056 - 65	39	68165 - 64	50	70226 - 66	43	71476 - 66	48	74547 - 63B	44
66057 - 65	39		63	70227 - 63	43	71476 - 67	48	74547 - 66	44
66058 - 65	39	68521 - 63	53	70228 - 66	43	71478 - 66A	48	74568 - 66	50
66059 - 65	39	68529 - 64	53	70229 - 66	43	71479 - 66	46	74570 - 66	50
66060 - 65	39	68529 - 67	53	70230 - 66	43	71481 - 67	44	74593 - 67	50
66061 - 65	39	68532 - 66A	53	70231 - 66	32	71482 - 63A	44	74857 - 67	50
66062 - 65	39	68535 - 67	53	70231 - 66	32	71482 - 63A	44	74857 - 67	50
66063 - 65	39	68543 - 64A	53	70234 - 66A	32	71486 - 65	46	74859 - 67	50
66064 - 65	39	68571 - 63	53	70242 - 67	53	71486 - 65	46	74861 - 67	50
66065 - 65	39	68572 - 64A	53	70283 - 65	43	71489 - 63	46	74862 - 67	50
66066 - 65	39	68576 - 63B	50	70284 - 65	43	71491 - 66	46	74862 - 67	50
66067 - 65	39		53	70284 - 66	43	71496 - 63A	46	74873 - 67	50
66068 - 65	39	68586 - 63	53	70286 - 65	43	71496 - 65	46	74875 - 67	50
66069 - 63	39	69000 - 65	50	70287 - 66	43	71502 - 63	46	74885 - 67	46
66070 - 63	39	69033 - 64	50	70287 - 66	43	71505 - 64	53	74893 - 67	50
66317 - 66	37	69149 - 65	50	70289 - 65	43	71506 - 63	44	74894 - 63	50
66387 - 64	37	70008 - 66	53	70290 - 65	53	71506 - 67	44	74894 - 63A	50
66430 - 67	41	70018 - 65A	41	70292 - 66	43	71512 - 63	44	74895 - 63	50
66435 - 67	41	70033 - 63	41	70306 - 64A	53		48	82003 - 65	61
66437 - 67	41	70033 - 63	41	70406 - 67	39	71513 - 63	46	82009 - 65	61
66439 - 67	41	70034 - 63	43	70407 - 67	39	71513 - 66	3	82009 - 65	61
66440 - 67	41	70035 - 63	43	70418 - 61	43	71522 - 59	48	82806 - 63A	57
66453 - 63	37	70045 - 63	43	70437 - 67	43	71523 - 64	48	82806 - 66	57
66453 - 66	37		44	70438 - 67	43	71524 - 59	48	82806 - 66A	57
66456 - 63	37	70049 - 64	43	70439 - 67	43	71524 - 59	48	82811 - 63	57
66462 - 63A	37	70062 - 63	43	70451 - 67	43	71525 - 64	48	82812 - 66	57
66462 - 66	37	70062 - 66	43	70452 - 67	43	71560 - 64	50	82814 - 63	57
66463 - 63	37	70064 - 63	43	70453 - 67	43	71625 - 59	48	<del>82819 - 63</del>	<del>57</del>
66491 - 67	41	70064 - 64	43	70454 - 67	43	71795 - 63	44	82821 - 63	57
66492 - 63C	39	70064 - 64	43	70455 - 67	43	71795 - 63A	46	82821 - 66	57
		70064 - 66	43	70456 - 67	43	71796 - 63	3	82821 - 68	57
		70066 - 63	43	70457 - 67	43	71797 - 63	3	82844 - 63	57
						71798 - 63	3	82868 - 63	9

# NUMERICAL INDEX

Part No.	Page	Part No.	Page	Part No.	Page	Part No.	Page	Part No.	Page
82872 - 63	57	83099 - 63	57	85210 - 42A	19	89067 - 63	63	89420 - 65	59
82874 - 63	57	83100 - 63	57	85213 - 42	19	89068 - 63	63	89421 - 65	59
82901 - 63	57	83102 - 63	57	89000 - 63V	63	89070 - 63	63	89423 - 64	59
82949 - 63	57	83103 - 63	57	89009 - 63	63	89074 - 63	63	89424 - 63	32
83003 - 32	19	83104 - 63	57	89010 - 63	63	89076 - 63	63		59
83032 - 63	57	83105 - 66	57	89016 - 63	63	89080 - 63	63	89426 - 63	59
83033 - 63	57	83106 - 63	57	89018 - 63	63	89082 - 63	63	89426 - 65	59
83034 - 63	57	83108 - 63	57	89020 - 63	63	89085 - 63	63	89428 - 63B	59
83035 - 63	57	83111 - 63	57	89021 - 63	63	89087 - 63	63	89432 - 63	59
83040 - 63	57	83112 - 63	57	89022 - 63	63	89088 - 63	63	90937 - 64	32
83041 - 66	57	83113 - 63	57	89023 - 63	63	89090 - 63	63	90952 - 63	32
83051 - 63	57	83113 - 66	57	89024 - 63	63	89092 - 63	63	90953 - 63	32
83052 - 63	57	83115 - 63	57	89030 - 63	63	89094 - 63	63	91070 - 63	61
83053 - 63	57	83117 - 63	57	89032 - 63	63	89098 - 63	63	91070 - 63A	61
83062 - 63	57	83118 - 63	57	89034 - 63	63	89400 - 63B	59	91071 - 68	61
83063 - 63	57	83119 - 63	57	89036 - 63	63	89401 - 65	59	91072 - 68	61
83064 - 63	57	83120 - 63	57	89040 - 63	63	89402 - 65	59	91075 - 63	61
83072 - 63	57	83131 - 63	57	89041 - 63	63	89403 - 65	59	91076 - 63	61
83073 - 63	57	83132 - 63	57	89042 - 63	63	89407 - 63	59	91082 - 63A	61
83074 - 63	57	83133 - 63	57	89043 - 63	63	89048 - 63	59	91082 - 63B	61
83080 - 66	55	83134 - 63	57	89045 - 63	63	89410 - 63	59	91265 - 58	41
<del>83081 - 66</del>	<del>55</del>	83162 - 63	57	89047 - 63	63	89410 - 65	59	91810 - 63A	44
83082 - 66	55	83163 - 63	57	89049 - 63	63	89412 - 63	59	91811 - 63A	44
83083 - 66	55	83165 - 63	57	89050 - 63	63	89412 - 64	59	91813 - 63	44
83086 - 66	55	83961 - 63A	7	89052 - 63	63	89412 - 65	59	91871 - 66	32
83088 - 66	55	83962 - 66	7	89054 - 63	63	89416 - 63	59	91872 - 65A	61
83089 - 66	55	83975 - 37	32	89058 - 63	63	89418 - 63	59	91887 - 48	61
83096 - 63	57	83975 - 37A	11	89060 - 63	63	89419 - 65	59	91890 - 48	61
83097 - 63	57		32	89062 - 63	63	89420 - 63	59		
83098 - 63	57	84950 - 63	27	89066 - 63	63	89420 - 64	59		

ALWAYS

HARLEY-DAVIDSON

**DEPENDABLE**



**GO  
POWER**

**HARLEY-DAVIDSON**