

# Harley-Davidson

**PARTS CATALOG**

**1971**

**Electric Golf Car/Utilicar**

**1963 to**

ISSUED: SEPTEMBER 1970

No. 99449-71

## GENERAL INFORMATION

This Parts catalog has been prepared for your convenience when ordering parts for ELECTRIC GOLF CAR and ELECTRIC UTILICAR Models DE, DEF, DEC. Wherever possible parts are shown in assembly breakdown sequence. Index numbers shown in the illustrations correspond to index numbers in parts lists. Consult the illustrations when ordering parts so you are sure to get just what you want. Only the latest parts are shown in the illustrations, however, parts lists cover all parts used from 1963 to 1971.

Number in parenthesis following description of part is the quantity needed for complete assembly shown in illustration. If there is no number in parenthesis, only one is used.

Package quantities are also indicated in parenthesis for certain parts which are only supplied this way.

Prices of all parts and accessories listed in this catalog are published separately in the latest RETAIL PRICE LIST.

The following instructions should be followed very carefully when ordering spare parts:

- Specify the correct part number on each item. Check the "Used On" column of the parts list which shows the model on which the part fits. Whenever in doubt, refer to the engine serial number stamped on the engine crankcase.

Two types of serial numbers are used:

1. 1969 and earlier: Serial number is located on the frame left side. The first four or five digits represent the year and model — the same as shown in the "Used On" column in this catalog.
2. 1970 and later: Serial number (V.I.N. number) is located on the frame left side.

The V.I.N. (vehicle identification numbers) for ELECTRIC CAR models are as follows:

ELECTRIC CAR (Model)	First Two Digits (Model)	Next Five Digits (Sequential Number)	Second Last Digit (Manufacturer)	Last Digit (Model Season)
DE	4B	10000 and up	H (Harley-Davidson)	0-1970
DEC	6B			1-1971 (etc.)

Example:      1970 DE (4B 12150 H0)  
                  1970 DEC (6B 12151 H0)

- An asterisk (\*) in the "Used On" column indicates part is used up to and including 1971 models (the latest model year covered by this catalog).
- Part-Numbers are to be used when ordering by TELEGRAM or CABLE.
- When ordering parts use our standard parts order blank Part No. 99511-62. The use of these blanks will enable us to fill and ship your order more promptly. These blanks are furnished free of charge upon request.
- Do not order golf cars or advertising matter on Parts Order Blanks. Write nothing on the order blank except the order itself, as any other correspondence will not be answered until the order is shipped and billed.
- Freight, Express and Parcel Post orders should be on separate order blanks.
- For your own records, number and date all orders, also keep a carbon copy for reference in case of misunderstanding.

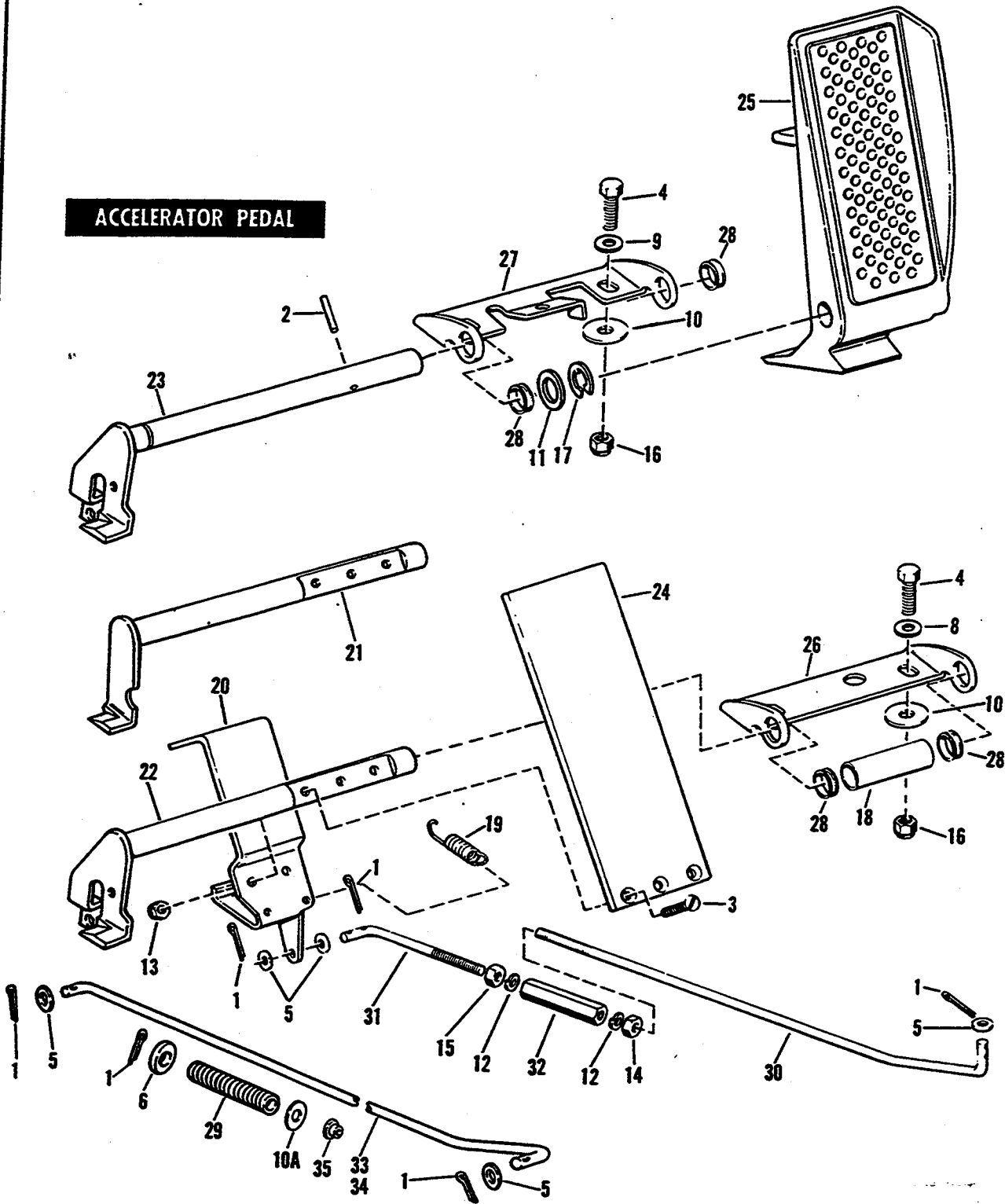
**COLUMBIA PAR CAR CORP.**  
350 N. Dewey Ave  
P.O. Box 30  
Reedsburg, WI. 53959

## ALPHABETICAL INDEX

	Page		Page
Accelerator Pedal .....	3	Fork - Rear .....	26
Accessory Panel .....	25, 45	Frame .....	26
Axle - Front .....	11	Hand Brake .....	7
Axle - Rear .....	77	Headlamp .....	45, 69
Bag Holder .....	31	Horn .....	69
Batteries .....	51	Micro Switch .....	63
Battery Charger - built in (1967 & 1968) .....	57	Mirror .....	45, 81
Battery Charger - built in (1969 & Later) .....	58	Motor .....	75
Battery Charger - Portable (Harley-Davidson) .....	53	Resistor .....	59
Battery Charger - Portable (Lester) .....	55	Seat .....	33, 35, 37
Beverage Holder .....	33	Sheaves .....	13, 75
Body - DE, DEF .....	39	Shields .....	25
Body - DEC .....	41	Shock Absorber .....	26
Brake - Disc .....	13	Side Curtains .....	46
Brake - Hydraulic .....	15	Solenoids .....	67, 69
Brake Pedal - Disc Brake .....	5	Speed Switch .....	63
Brake Pedal - Hydraulic Brake .....	9	Splash Guard .....	25, 39
Bumper - Front .....	81	Stake Body .....	43
Bumper - Rear .....	29	Steering Wheel .....	23
Cab .....	45	Sun Top .....	79
Cables .....	59, 73	Switches .....	65, 73
Canvas Cover .....	39	Tail Lamp .....	69
Cargo Box .....	43	Tiller .....	21
Carry All .....	25	Top .....	79
Cigaret Lighter .....	59	Tow Bar .....	81
Differential .....	77	Traction Motor .....	75
Direction Signals .....	73	Trailer .....	82
Floor Mats .....	25	V-Belts .....	13
Fork Housing .....	25	Windshield .....	49
Fork - Front (1963 to 1969) .....	17	Wheels .....	11
Fork - Front (1970 & Later) .....	19	Wiring .....	59

Harley-Davidson products are manufactured under one or more of the following patents: U.S. Patents -  
D-199,479,  
2510222    2574739    2770869  
2783927    2788676    2872660  
2986162    2987934    2998809  
3116089    3144631    3144860  
3226994    3229792    3434887  
Canadian Patents - 487981, 490652

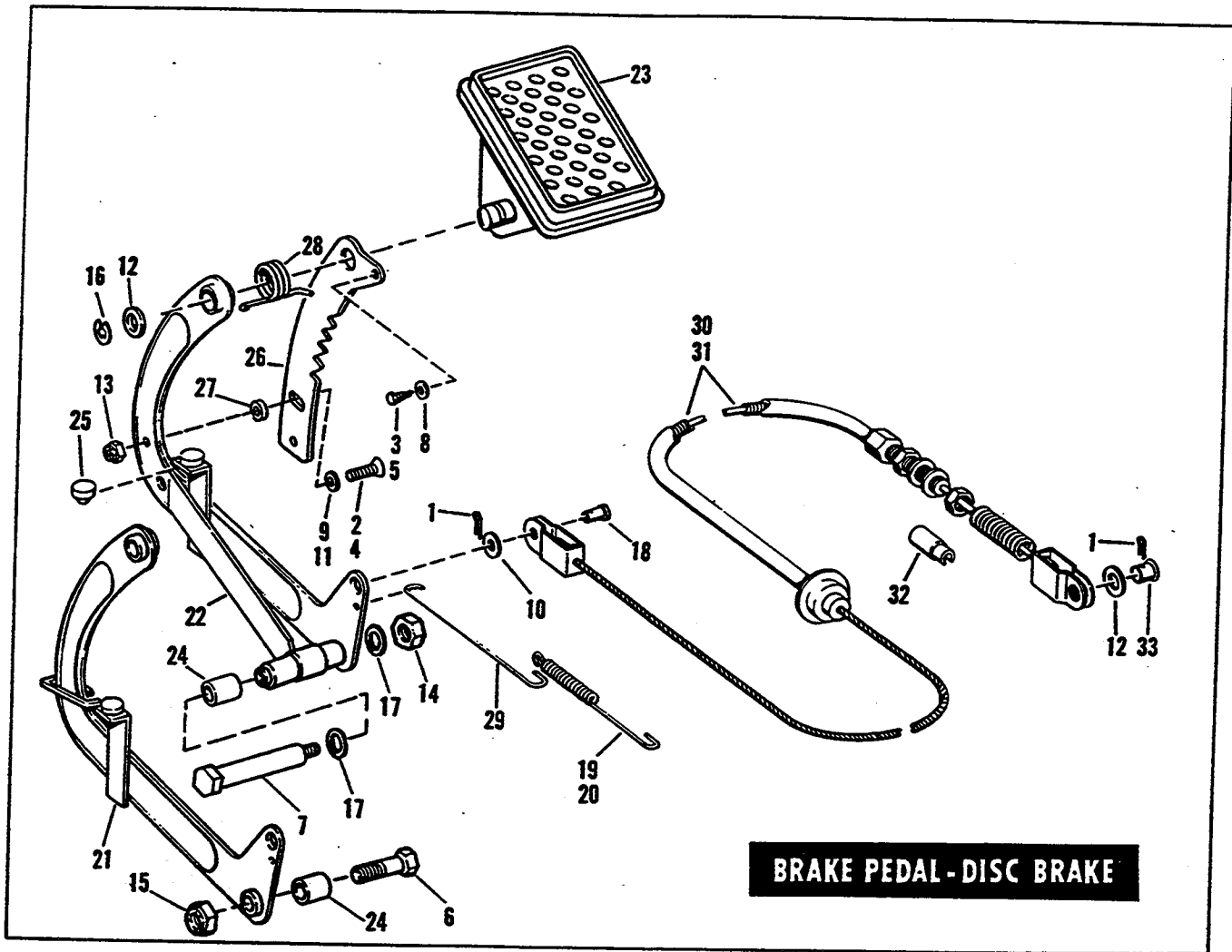
ACCELERATOR PEDAL



# ACCELERATOR PEDAL

INDEX NO.	PART NO.	NAME	USED ON
1	515	COTTER PIN, 1/16 x 3/4 (2)	63 to * - DE, DEF, DEC
2	610	ROLL PIN, accelerator pedal	68 to * - DE, DEC
3	1768W	SCREW, No. 10-24 x 13/16 ctsk. hd. (3)	63 to 67 - DE, DEF, DEC
4	3984W	BOLT, 5/16-18 x 11/16 hex. hd. (2)	67 to * - DE, DEC
	3991	BOLT, 5/16-18 x 7/8 hex. hd. (2)	63 to 66 - DE, DEF, DEC
5	6165W	WASHER, 3/16 x 3/8 x 1/32 (2)	63 to * - DE, DEF, DEC
6	6187W	WASHER, 3/16 x 5/8 x 1/16	66 to * - DE, DEC
8	6319HW	WASHER, 5/16 x 11/16 x 1/16 (2)	63 to 67 - DE, DEF, DEC
9	6322B	WASHER, 5/16 x 11/16 x 1/32	68 to * - DE, DEC
10	6341B	WASHER, 5/16 x 1-1/8 x 1/16 (2)	63 to * - DE, DEF, DEC
10A	6415W	WASHER, speed switch rod, 3/8 x 1-1/8 x 3/32	Late 68 to * - DE, DEC
11	6565W	WASHER, 1/2 x 3/4 x .048	68 to * - DE, DEC
12	7021	LOCKWASHER, No. 10 (2)	63 to 65 - DE, DEF, DEC
13	7624	NUT, No. 10-24 Flexloc (3)	63 to 66 - DE, DEF, DEC
14	7638	NUT, No. 10-32 x 1/8 x 3/8 hex.	63 to 65 - DE, DEF, DEC
15	7639B	NUT, No. 10-32 x 1/8 x 3/8 hex. (L.H. thread)	63 to 65 - DE, DEF, DEC
16	7739	LOCK NUT, 5/16-18 (2)	63 to * - DE, DEF, DEC
17	11012	RETAINING RING	68 to * - DE, DEC
18	40501-63	BUSHING SPACER, accelerator	63 to 67 - DE, DEF, DEC
19	40503-63	SPRING, accelerator (2)	63 to 65 - DE, DEF, DEC
20	40504-63A	STOP, accelerator	63 to 67 - DE, DEF, DEC
21	40512-63	INTERLOCK SHAFT, accelerator	63 to 65 - DE, DEF, DEC
22	40512-66	INTERLOCK SHAFT, accelerator	66 & 67 - DE, DEC
23	40512-68	INTERLOCK SHAFT, accelerator	68 to * - DE, DEC
24	40516-63	ACCELERATOR PEDAL	63 to 67 - DE, DEF, DEC
25	40516-68	ACCELERATOR PEDAL	68 to * - DE, DEC
26	40518-63	BRACKET, accelerator	63 to 67 - DE, DEF, DEC
27	40518-68	BRACKET, accelerator	68 to * - DE, DEC
28	40522-63	BUSHING, accelerator (2)	63 to * - DE, DEF, DEC
29	71513-66	SPRING, speed switch rod	66 to * - DE, DEC
30	71796-63	REAR ROD, accelerator linkage	63 to 65 - DE, DEF, DEC
19	71797-63	FRONT ROD, accelerator linkage	63 to 65 - DE, DEF, DEC
32	71798-63	COUPLING, accelerator linkage	63 to 65 - DE, DEF, DEC
33	71798-66A	ROD, accelerator linkage	66 to 68 - DEC; 66 to * - DE
34	71798-69A	ROD, accelerator linkage	69 & 70 - DEC
35	71799-68	NYLON BUSHING, speed switch rod	Late 68 to * - DE, DEC

NOTE: Asterisk (\*) indicates part is used for latest model year shown on cover.

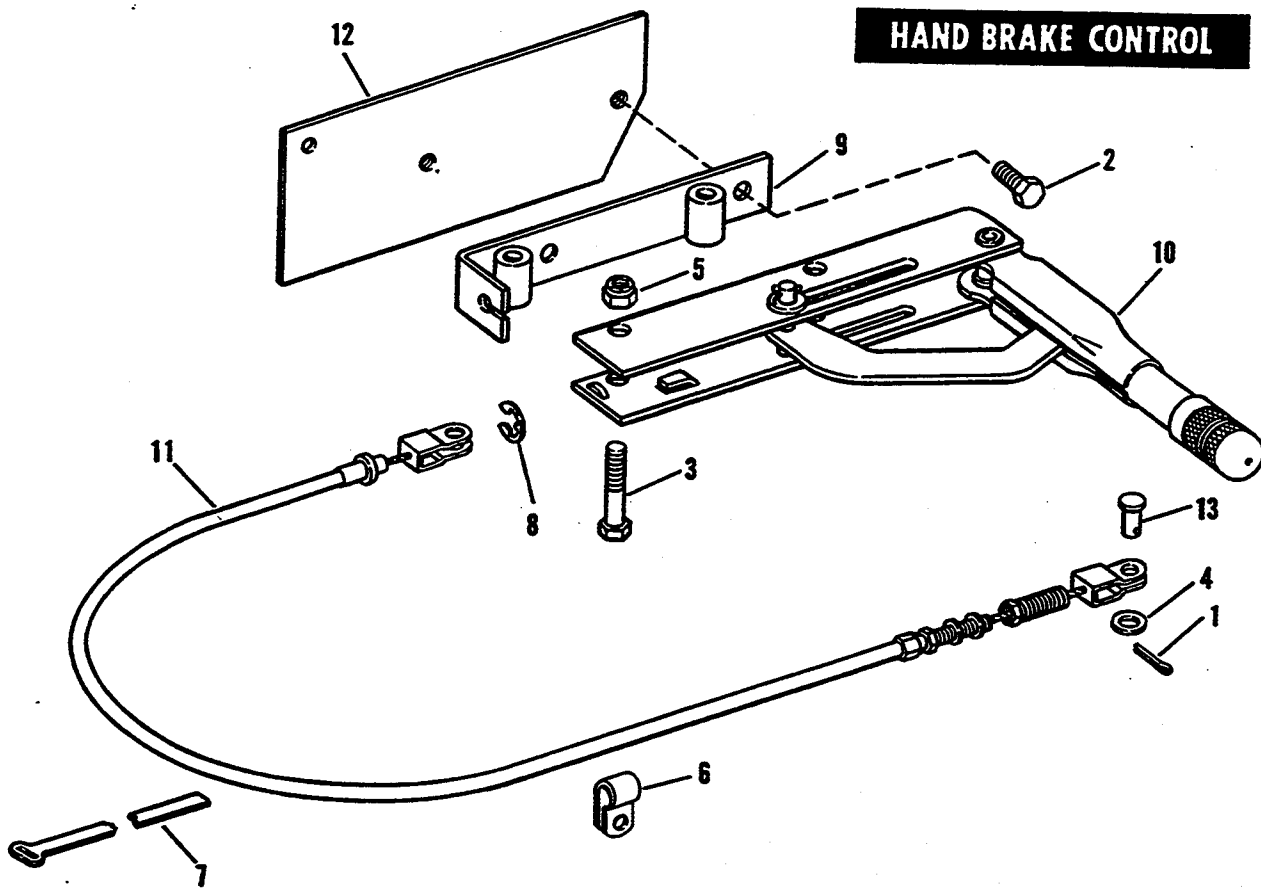


# BRAKE PEDAL – DISC BRAKE

INDEX NO.	PART NO.	NAME	USED ON
1	515	COTTER PIN, 1/16 x 3/4 (3).....	63 to * – DE, DEF, DEC
2	1764W	SCREW, ratchet stop, No. 10-24 x 1-5/32 socket hd. ....	Late 68 to * – DE, DEC
3	2685W	SCREW, brake pedal, No. 10-24 self-tapping hex. hd. ....	Late 68 to * – DE, DEC
4	2686	SCREW, No. 10-24 x 7/8 rd. hd. ....	67 & Early 68 – DE, DEC
5	3669W	SCREW, No. 10 self-tapping hex. hd. ....	63 to Early 68 – DE, DEF, DEC
6	4370HB	BOLT, 3/8-24 x 1-9/16 hex. hd. ....	63 to 65 – DE, DEF, DEC
7	4427W	SHOULDER BOLT, brake pedal.....	66 to * – DE, DEC
8	6150W	WASHER, No. 10 x 3/8 x 1/16.....	63 to * – DE, DEF, DEC
9	6187W	WASHER, 3/16 x 5/8 x 1/16.....	67 to Early 68 – DE, DEC
10	6242W	WASHER, 1/4 x 9/16 x 1/32.....	63 to * – DE, DEF, DEC
11	6319HW	WASHER, 5/16 x 11/16 x 1/16.....	Late 68 to * – DE, DEC
12	6375B	WASHER, 3/8 x 37/64 x 1/32 (2).....	63 to * – DE, DEF, DEC
13	7624	LOCK NUT, ratchet stop, No. 10-24.....	Late 68 to * – DE, DEC
14	7753	NUT, 5/16-24 x 17/64 x 1/2 hex. ....	66 to * – DE, DEC
15	7775	NUT, 3/8-24 Flexloc.....	63 to 65 – DE, DEF, DEC
16	11000	RETAINING RING, brake pedal.....	63 to 68 – DEF, DEC; 63 to * – DE
17	11104	O-RING, brake lever (2).....	66 to * – DE, DEC
18	33874-41	CLEVIS PIN, brake cable (pedal end).....	63 to 68 – DEF, DEC; 63 to * – DE
19	41834-59	SPRING, brake pedal return.....	63 to 66 – DE, DEF, DEC
20	41834-67	SPRING, brake pedal return.....	67 & 68 – DEC; 67 to * – DE
21	42405-63A	LEVER, brake pedal, with spring.....	63 to 65 – DE, DEF, DEC
22	42405-66B	LEVER, brake pedal, with spring.....	66 to * – DE, DEC
23	42479-63A	BRAKE PEDAL, only.....	63 to 68 – DEF, DEC; 63 to * – DE
24	42482-63	BUSHING, brake lever.....	63 to 68 – DEF, DEC; 63 to * – DE
25	42483-63	BUMPER, brake lever (rubber).....	63 to 68 – DEF, DEC; 63 to * – DE
26	42488-63B	RATCHET, brake lever.....	63 to 68 – DEF, DEC; 63 to * – DE
27	42490-67	SPACER, pedal ratchet.....	67 & 68 – DEC; 67 to * – DE
28	42494-63B	RATCHET SPRING, brake lever.....	63 to 68 – DEF, DEC; 63 to * – DE
29	42501-67	PULL WIRE, brake pedal.....	67 & 68 – DEC; 67 to * – DE
	42502-63	PULL WIRE, brake pedal spring.....	63 to 65 – DE, DEF, DEC
	42502-66	PULL WIRE, brake pedal spring.....	66 – DE, DEC
30	47740-63A	BRAKE CONTROL CABLE AND COIL ASSY. ....	63 to 65 – DE, DEF, DEC
31	47740-66A	BRAKE CONTROL CABLE AND COIL ASSY. ....	66 to 68 – DEC; 66 to * – DE
32	47741-63	SPACER, brake cable (for repairs).....	63 to * – DE, DEF, DEC
33	73092-61A	CLEVIS PIN, brake cable (brake end).....	63 to * – DE, DEF, DEC

NOTE: Asterisk (\*) indicates part is used for latest model year shown on cover.

# HAND BRAKE CONTROL



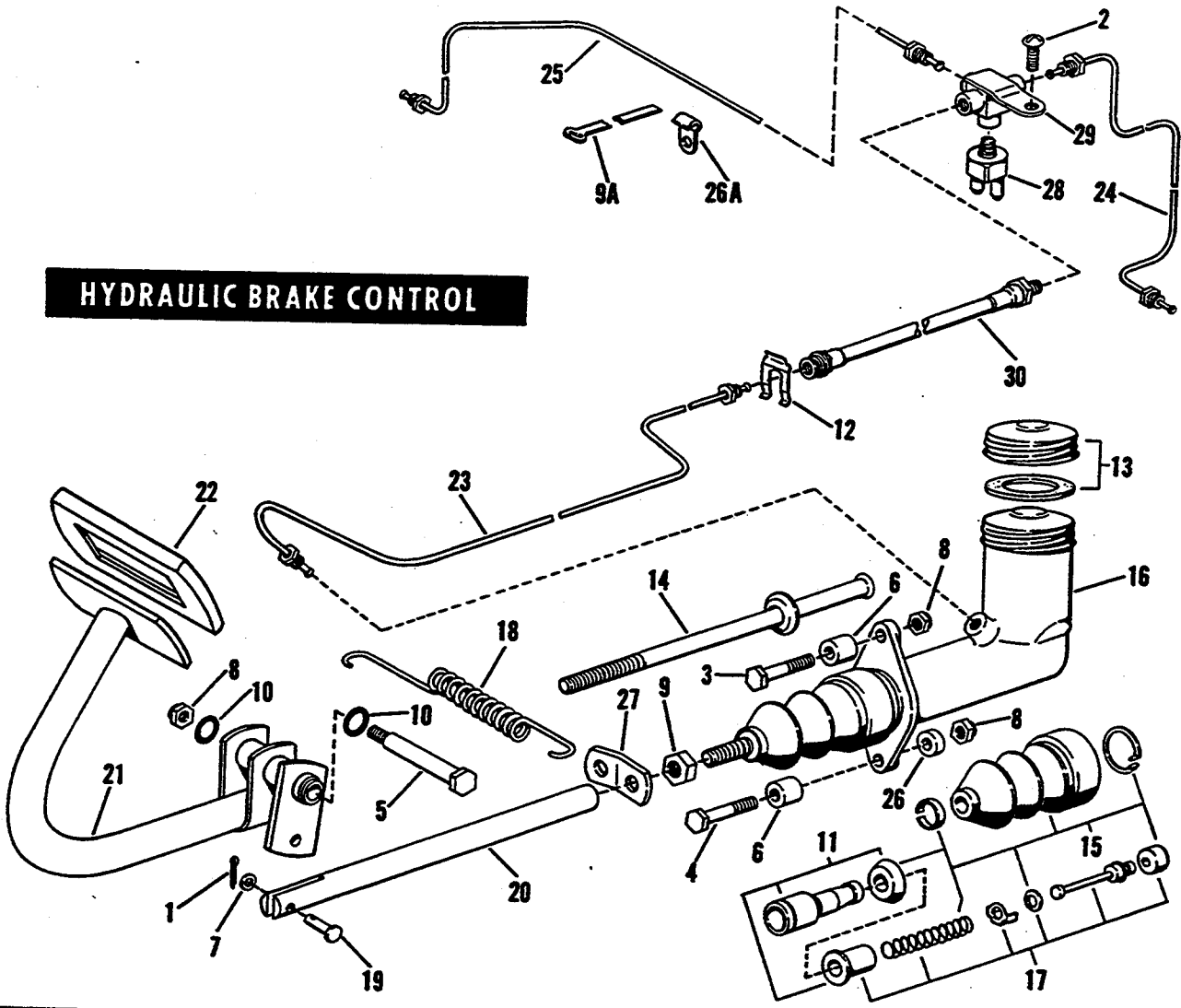


# HAND BRAKE CONTROL

INDEX NO.	PART NO.	NAME	USED ON
1	515	COTTER PIN, 1/16 x 3/4.....	69 & 70 - DEC
2	3974HW	BOLT, hand brake mounting, 5/16-24 x 3/4 hex. hd. (2).....	69 & 70 - DEC
3	4036	BOLT, hand brake, 5/16-24 x 1-1/2 hex. hd. (2).....	69 & 70 - DEC
4	6375B	WASHER, brake cable clevis pin, 3/8 x 9/16 x 1/32.....	69 & 70 - DEC
5	7725	LOCK NUT, 5/16-24 (4).....	69 & 70 - DEC
6	9963	CLAMP, hand brake cable.....	69 & 70 - DEC
7	10016	CABLE STRAP, brake cable to frame.....	69 & 70 - DEC
8	11036	RETAINING RING, hand brake lever.....	69 & 70 - DEC
9	41635-69	MOUNTING BRACKET, hand brake.....	69 & 70 - DEC
10	41640-69	HAND BRAKE LEVER ASSY.....	69 & 70 - DEC
11	41641-69	CABLE ASSEMBLY, hand brake.....	69 & 70 - DEC
12	41653-69	REINFORCEMENT, lever, hand brake.....	69 & 70 - DEC
13	73092-61A	CLEVIS PIN, brake cable (brake end).....	69 & 70 - DEC

**NOTE:** Asterisk (\*) indicates part is used for latest model year shown on cover.

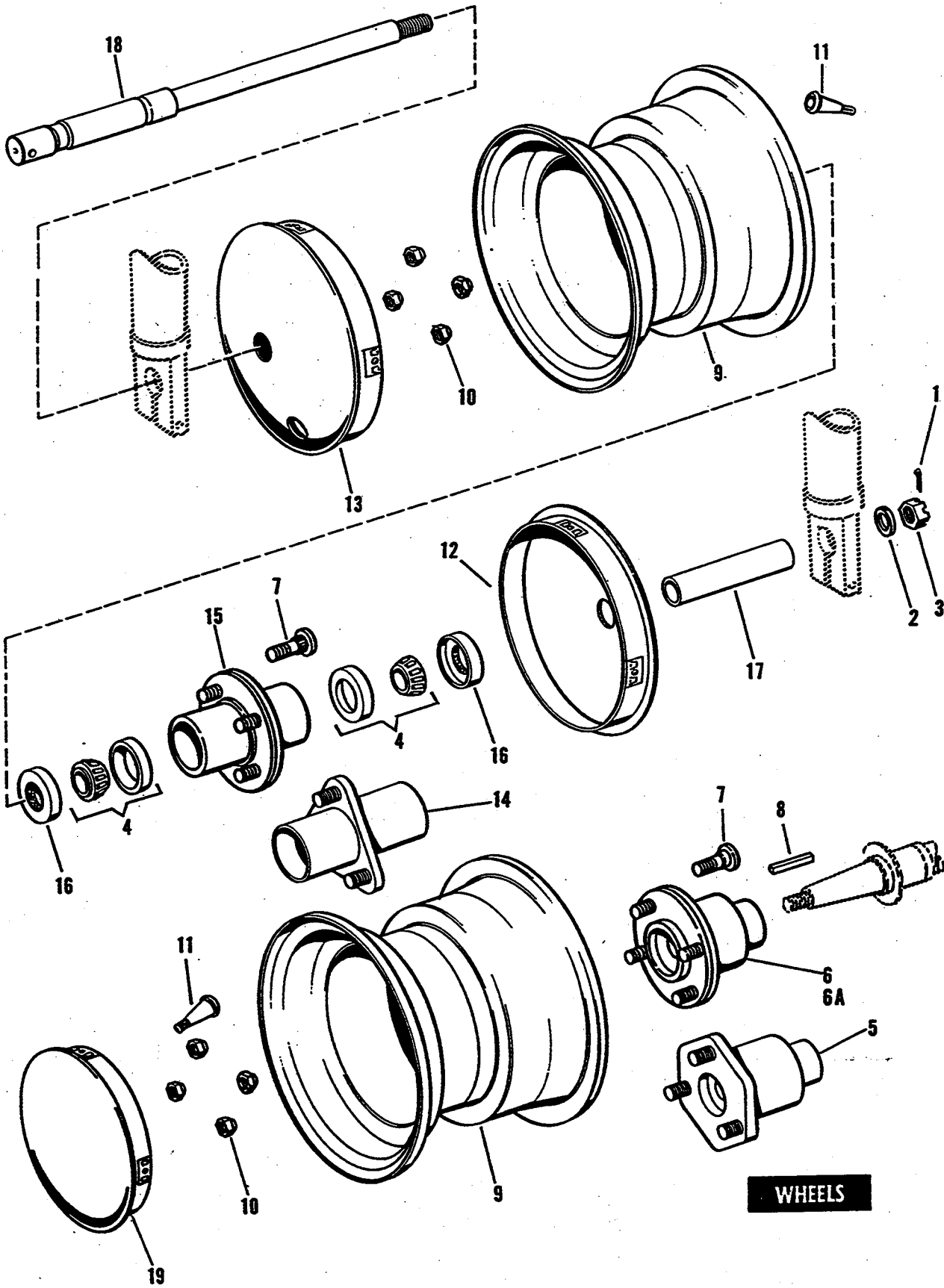
# HYDRAULIC BRAKE CONTROL



# HYDRAULIC BRAKE CONTROL

INDEX NO.	PART NO.	NAME	USED ON
1	515	COTTER PIN, brake rod clevis pin, 1/16 x 1/2.....	69 & 70 - DEC
2	2764W	SCREW, brake hose tee, 1/4-20 x 5/8 self-tapping Phil. hd. ....	69 & 70 - DEC
3	4042HW	BOLT, master cylinder mounting (upper), 5/16-24 x 1-3/4 hex. hd. ...	69 & 70 - DEC
4	4060W	BOLT, master cylinder mounting (lower), 5/16-24 x 2-1/4 hex. hd. ...	69 & 70 - DEC
5	4427W	SHOULDER BOLT, brake pedal.....	69 & 70 - DEC
6	5924W	SPACER, master cylinder (2).....	69 & 70 - DEC
7	6220W	WASHER, brake rod clevis pin, 1/4 x 7/16 x 1/32.....	69 & 70 - DEC
8	7725	NUT, master cylinder and brake pedal mounting bolts, 5/16-24 flexloc (3)	69 & 70 - DEC
9	7744	NUT, master cylinder push rod, 5/16-24 x 3/16 x 1/2 hex. ....	69 & 70 - DEC
9A	10016	STRAP, brake tube to frame.....	69 & 70 - DEC
10	11104	O-RING, brake pedal pivot bolt (2).....	69 & 70 - DEC
11	41666-66	PISTON REPAIR KIT, master cylinder.....	69 & 70 - DEC
12	41712-66	CLIP, brake hose.....	69 & 70 - DEC
13	41755-66	CAP, master cylinder (with gasket).....	69 & 70 - DEC
14	41756-66	PUSH ROD, master cylinder (with fittings).....	69 & 70 - DEC
15	41757-66	RUBBER BOOT, master cylinder (with seal and fittings).....	69 & 70 - DEC
16	41758-66	MASTER CYLINDER.....	69 & 70 - DEC
17	41759-66	MASTER CYLINDER REPAIR KIT.....	69 & 70 - DEC
18	41834-59	SPRING, brake pedal return.....	69 & 70 - DEC
19	42269-30	CLEVIS PIN, brake rod.....	69 & 70 - DEC
20	42326-66	BRAKE ROD.....	69 & 70 - DEC
21	42404-66	BRAKE PEDAL.....	69 & 70 - DEC
22	42414-66	PAD, brake pedal.....	69 & 70 - DEC
23	42574-69	BRAKE LINE, master cylinder.....	69 & 70 - DEC
24	42575-69	BRAKE TUBE, left rear.....	69 & 70 - DEC
25	42576-69A	BRAKE TUBE, cross-over.....	69 & 70 - DEC
26	61135-57	SPACER, master cylinder.....	69 & 70 - DEC
26A	67075-57A	CLIP, brake line.....	69 & 70 - DEC
27	67208-65	BRACKET, pedal return spring.....	69 & 70 - DEC
28	72002-51	STOPLIGHT SWITCH.....	69 & 70 - DEC
29	83566-51	TEE, brake line.....	69 & 70 - DEC
30	83571-51	BRAKE HOSE.....	69 & 70 - DEC

NOTE: Asterisk (\*) indicates part is used for latest model year shown on cover.

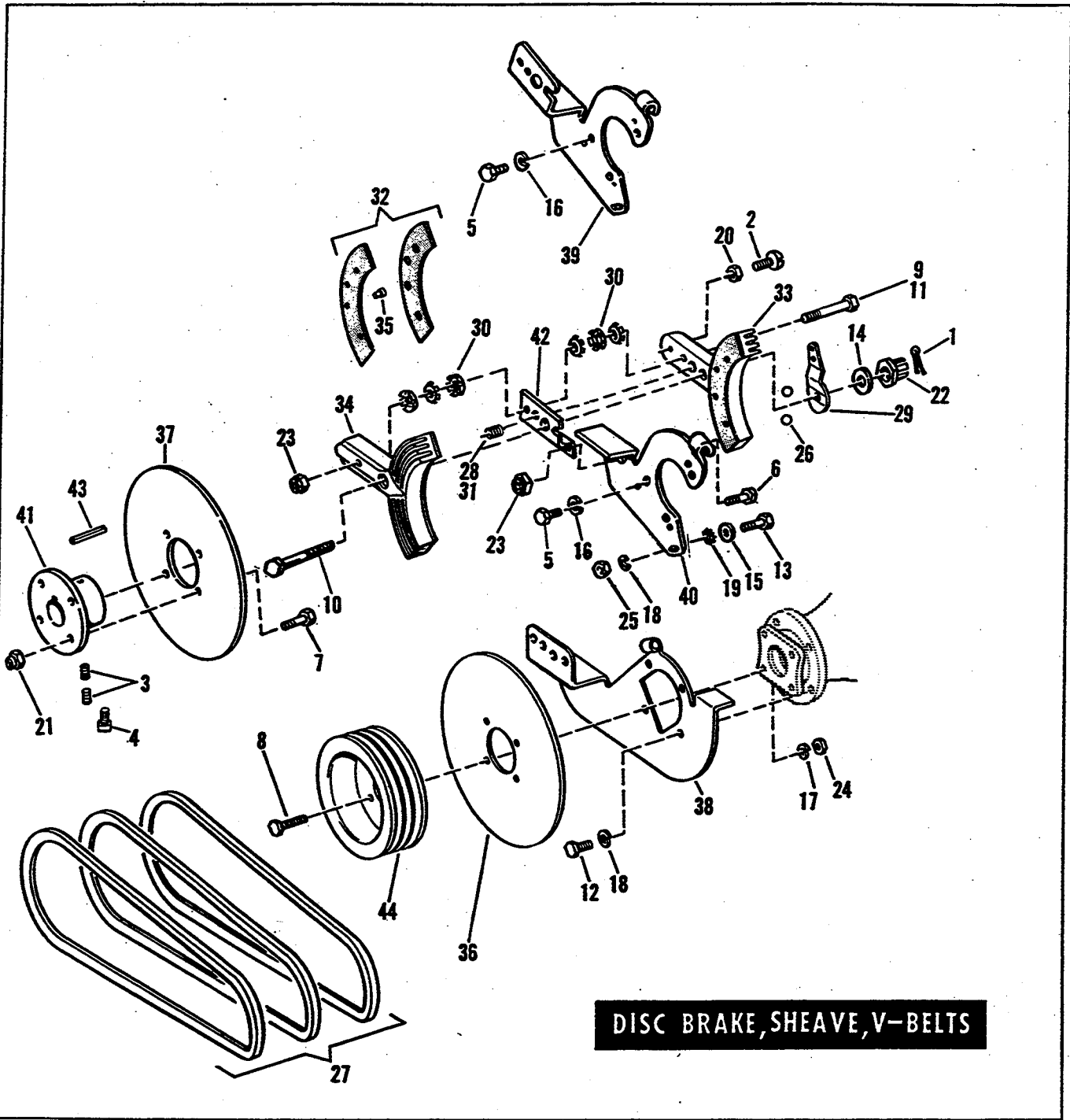


**WHEELS**

# WHEELS

INDEX NO.	PART NO.	NAME	USED ON
1	534	COTTER PIN, 3/32 x 1.....	63 to 69 - DE, DEF, DEC
2	6722B	WASHER, 5/8 x 1-1/8 x 3/32.....	63 to 69 - DE, DEF, DEC
3	7947W	CASTLE NUT, 5/8-18 x 1/2 x 15/16 hex.....	63 to 69 - DE, DEF, DEC
4	9033	FRONT WHEEL BEARING (2).....	63 to * - DE, DEF, DEC
	40954-65	WHEEL ASSEMBLY WITH TIRE, left rear (12 in. tire).....	65 - DE
	40955-65	WHEEL ASSEMBLY WITH TIRE, right rear (12 in. tire).....	65 - DE
	40956-66A	WHEEL ASSEMBLY WITH TIRE, (5.70 x 8 in. 4 ply).....	66 to * - DEC
	40957-69B	WHEEL ASSEMBLY WITH TIRE, (9.50 x 8) (Traction Tread) (rear) ...	67 to * - DE
	40964-66B	WHEEL ASSEMBLY WITH TIRE, (9.50 x 8 - 2 ply).....	66 to * - DE
	40965-66B	WHEEL ASSEMBLY WITH TIRE, (9.50 x 8 - 4 ply).....	66 to * - DE
	40966-65	WHEEL ASSEMBLY WITH TIRE, (9.50 x 8 - 4 ply with tube).....	65 - DEF, DEC
	40971-71	WHEEL WITH TIRE (9.50 x 8 - 2 ply Carlisle) (std.).....	66 to * - DE
	40972-71	WHEEL WITH TIRE (9.50 x 8 - 4 ply Carlisle).....	66 to * - DE
	40974-71	WHEEL WITH TIRE (9.50 x 8 - 4 ply Carlisle) (Traction Tread - rear)	67 to * - DE
5	41024-63	HUB, rear wheel (2).....	63 to 65 - DE, DEF, DEC
6	41024-66	HUB, rear wheel (2).....	66 to 70 - DE, DEC
6A	41024-71	HUB, rear wheel (2).....	71 to * - DE, DEC
7	41199-63	MOUNTING STUD, wheel hub (3).....	63 to 65 - DE, DEF, DEC
	41199-66A	MOUNTING STUD, wheel hub (4).....	66 to * - DE, DEC
8	41204-63A	KEY, rear wheel hub (2).....	63 to * - DE, DEF, DEC
9	43016-66	WHEEL RIM, (5.70/500 x 8) (front).....	66 to * - DEC
	43017-63	WHEEL RIM, (9.50 x 8).....	63 to 65 - DE, DEF, DEC
	43017-66A	WHEEL RIM, (9.50 x 8).....	66 to * - DE
	43035-66A	WHEEL RIM (5.70 x 8) (rear).....	66 to * - DEC
10	43152-63	WHEEL NUT (3).....	63 to 65 - DE, DEF, DEC
	43152-66	WHEEL NUT, (4).....	66 to * - DE, DEC
11	43156-63	VALVE WITH CORE.....	63 to * - DE, DEF, DEC
	43158-65	TIRE VALVE EXTENSION, front wheel.....	63 to * - DE
	43486-65	FRONT WHEEL ASSEMBLY (12 in.).....	65 - DE
	43490-63	WHEEL ASSEMBLY, (9.50 x 8 - 2 ply).....	63 to 65 - DE
	43490-65	WHEEL ASSEMBLY, (9.50 x 8 - 4 ply).....	65 - DE
	43493-65	WHEEL ASSEMBLY, (5.70 x 8).....	65 - DEF, DEC
12	43600-63	HUB CAP, front wheel (2).....	63 to * - DE
13	43600-65	HUB CAP, left (with hole for valve stem).....	65 to * - DE
14	43614-63	HUB, front wheel.....	63 to 65 - DE, DEF, DEC
15	43614-66A	HUB ASSEMBLY, front wheel (includes bearings & seals).....	66 to * - DE, DEC
16	43732-63	OIL SEAL, front wheel (2).....	63 to * - DE, DEF, DEC
17	43738-63	SPACER, front axle.....	63 to * - DE, DEF, DEC
18	43874-63A	FRONT AXLE.....	63 to 69 - DE, DEF, DEC
	43874-65	FRONT AXLE (12 in. tire).....	65 - DE
	43874-70	FRONT AXLE.....	70 to * - DE, DEC
19	83961-63A	HUB CAP, rear wheel (2).....	63 to * - DE
	83962-66	HUB CAP, rear wheel (2).....	66 to * - DEC

NOTE: Asterisk (\*) indicates part is used for latest model year shown on cover.

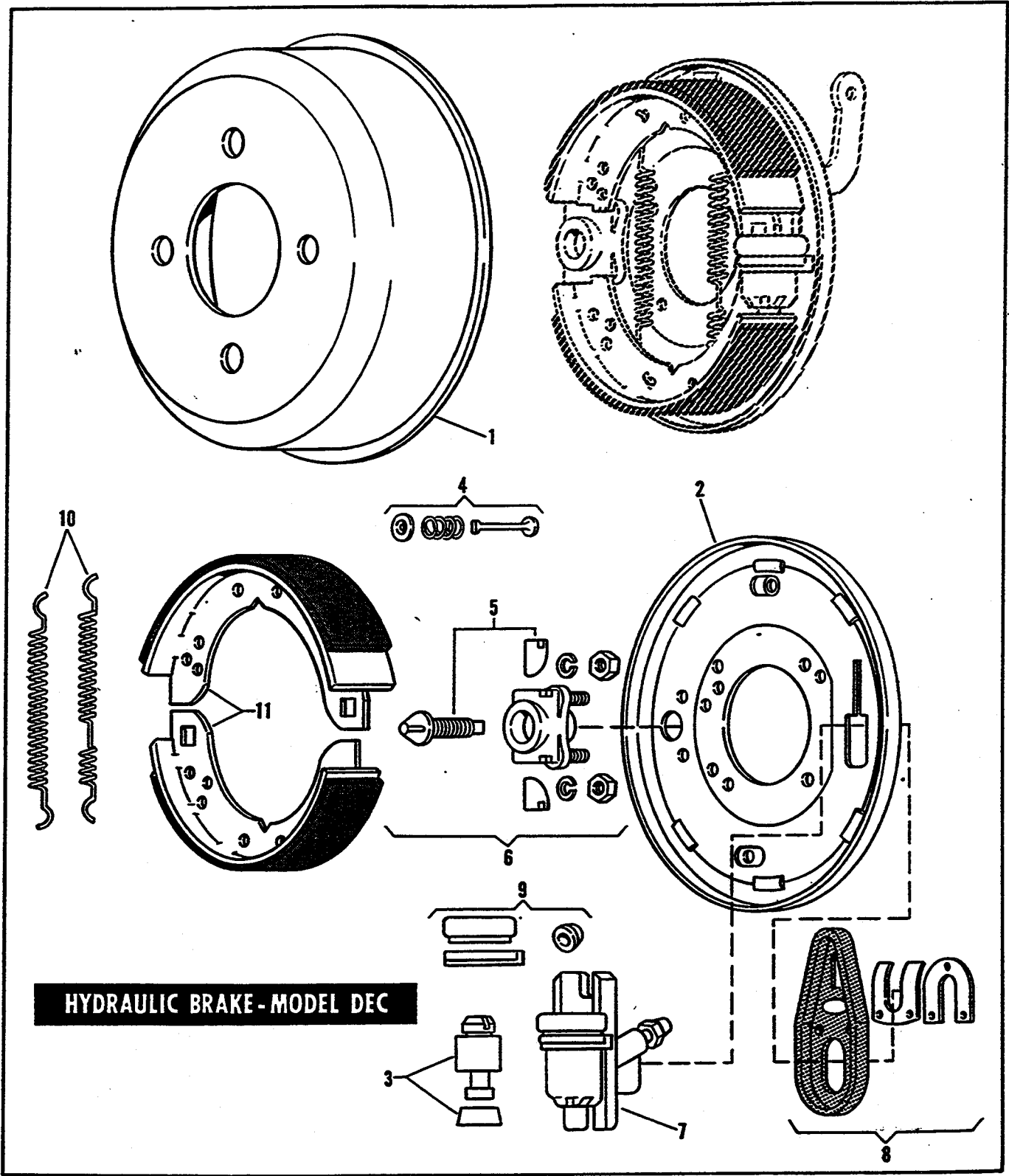


**DISC BRAKE, SHEAVE, V-BELTS**

**DISC BRAKE, SHEAVE, V-BELTS  
1963 TO 1968 MODEL DEF & DEC  
1963 & LATER MODEL DE**

INDEX NO.	PART NO.	NAME	USED ON
1	515	COTTER PIN, 1/16 x 3/4.....	63 to * - DE, DEF, DEC
2	2793B	SCREW, 1/4-20 x 1-1/2 rd. hd. ....	63 & Early 64 - DE
	2797B	SCREW, 1/4-20 x 1-3/4 rd. hd. ....	Late 64 to 66 - DE, DEF, DEC
	2798W	SCREW, 1/4-20 x 1-1/2 slot hd. (locking).....	67 to * - DE, DEC
3	3233	SET SCREW, 1/4-28 x 1/4 socket hd. (4) .....	63 to Early 67 - DE, DEF, DEC
4	3239W	SET SCREW.....	Late 67 to * - DE, DEC
5	3767B	BOLT, 1/4-20 x 5/8 hex. hd. (3) .....	66 to * - DE, DEC
6	3974HW	BOLT, 5/16-24 x 3/4 hex. hd. (2) .....	67 to * - DE, DEC
7	3996	BOLT, 5/16-24 x 7/8 hex. hd. (4) .....	66 to * - DE, DEC
8	4019B	BOLT, 5/16-18 x 1-1/4 hex. hd. (4).....	63 to 65 - DE, DEF, DEC
9	4060W	BOLT, 5/16-24 x 2-1/4 hex. hd. ....	63 & Early 64 - DE
10	4062W	BOLT, 5/16-24 x 3-1/4 hex. hd. (drilled) .....	Late 64 to * - DE, DEF, DEC
	4065	BOLT, 5/16-24 x 2-3/4 hex. hd.....	63 & Early 64 - DE
11	4072	BOLT, 5/16-24 x 2-5/8 hex. hd. ....	Late 64 to * - DE, DEF, DEC
12	4293	BOLT, 3/8-16 x 25/32 hex. hd. (4) .....	63 to 65 - DE, DEF, DEC
13	4323	BOLT, 3/8-16 x 1 hex. hd. ....	67 to * - DE, DEC
14	6316W	WASHER, 5/16 x 5/8 x 1/16 (2) .....	63 to Early 68 - DE, DEF, DEC
	6321H	WASHER, brake cam lever, 5/16 x 1 x 1/16 (2) .....	Late 68 to * - DE, DEC
15	6395B	WASHER, 3/8 x 13/16 x 1/16.....	66 to * - DE, DEC
16	7036	LOCKWASHER, 1/4 (3).....	66 to * - DE, DEC
17	7041	LOCKWASHER, 5/16 x 9/16 (8) .....	63 to 65 - DE, DEF, DEC
18	7045	LOCKWASHER, 3/8 .....	63 to * - DE, DEF, DEC
19	7145W	LOCKWASHER, 3/8 ext. tooth.....	66 to * - DE, DEC
20	7685	NUT, 1/4-20 x 9/32 x 7/16 hex. ....	63 to * - DE, DEF, DEC
21	7727	LOCK NUT, 5/16-24 (4) .....	66 to * - DE, DEC
22	7728	CASTLE NUT, 5/16-24 x 5/16 x 1/2 hex.....	63 to * - DE, DEF, DEC
23	7729	LOCK NUT, 5/16-24 x 1/4 x 1/2 hex.....	63 to * - DE, DEF, DEC
24	7748W	NUT, 5/16-18 x 17/64 x 1/2 hex. (8).....	63 to 65 - DE, DEF, DEC
25	7783	NUT, 3/8-16 x 5/16 x 9/16 hex. ....	66 to * - DE, DEC
26	8858	BALL, cam lever (2) .....	Late 63 to * - DE, DEF, DEC
27	36393-63	SET OF V-BELTS (3 in set).....	63 to 65 - DE, DEF, DEC
28	38078-47	SPRING, brake shoe.....	Late 64 to * - DE, DEF, DEC
29	41421-63A	BRAKE CAM LEVER.....	63 & Early 64 - DE
	41421-64A	BRAKE CAM LEVER .....	Late 68 to 71 - DE, DEC
30	41424-63	SPRING WASHER (6) .....	63 to * - DE, DEF, DEC
31	41728-63	SPRING, brake shoe.....	63 & Early 64 - DE
	41810-63A	BRAKE LINING CONVERSION KIT.....	63 & 64 - DE (Below Serial No. 64D-2201)
32	41810-64	SET OF BRAKE LININGS AND RIVETS.....	64 to * - DE, DEF, DEC (Above Serial No. 64D-2201)
33	41811-63B	BRAKE SHOE, rear .....	63 & 64 - DE (Below Serial No. 64D-2201)
	41811-64	BRAKE SHOE, rear .....	64 to * - DE, DEF, DEC (Above Serial No. 64D-2201)
34	41812-64A	BRAKE SHOE, front.....	63 to * - DE, DEF, DEC
35	41841-63	RIVET, brake lining (pkg. 25) (8).....	63 to * - DE, DEF, DEC
36	47744-63A	BRAKE DISC.....	63 to 65 - DE, DEF, DEC
37	47744-66	BRAKE DISC.....	66 to * - DE, DEC
38	47745-63	BRACKET, brake mounting.....	63 to 65 - DE, DEF, DEC
39	47745-66	BRACKET, brake mounting.....	66 - DE, DEC
40	47745-67	BRACKET, brake mounting.....	67 to 71 - DE, DEC
41	47746-66	HUB, brake disc.....	66 to * - DE, DEC
42	47748-67	BRACKET, brake shoe .....	67 to 71 - DE, DEC
43	70498-63	KEY, brake disc hub .....	63 to * - DE, DEF, DEC
44	82868-63	DRIVE SHAFT SHEAVE .....	63 to 65 - DE, DEF, DEC

NOTE: Asterisk (\*) indicates part is used for latest model year shown on cover.

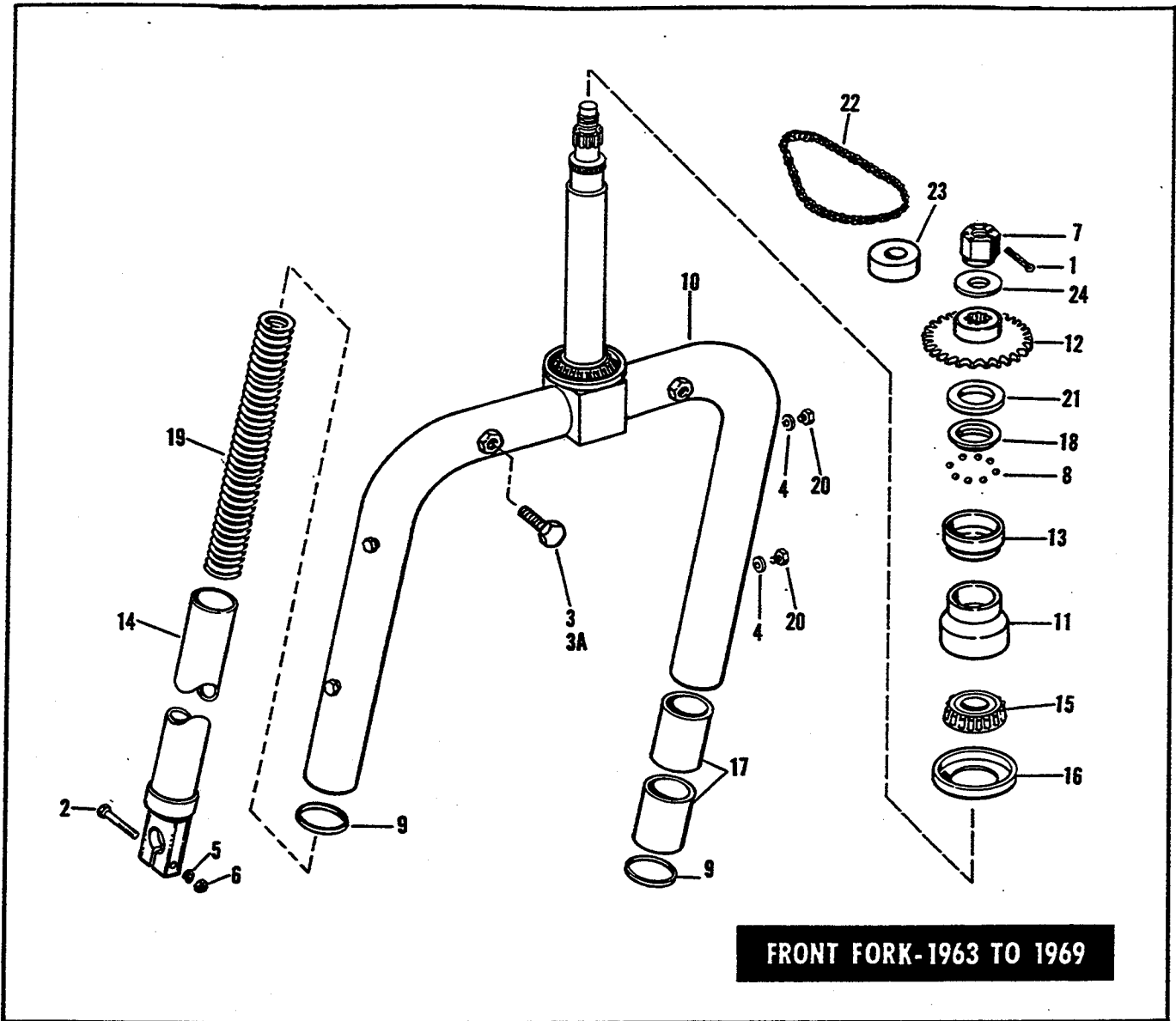


**HYDRAULIC BRAKE - MODEL DEC**



## HYDRAULIC BRAKE - MODEL DEC

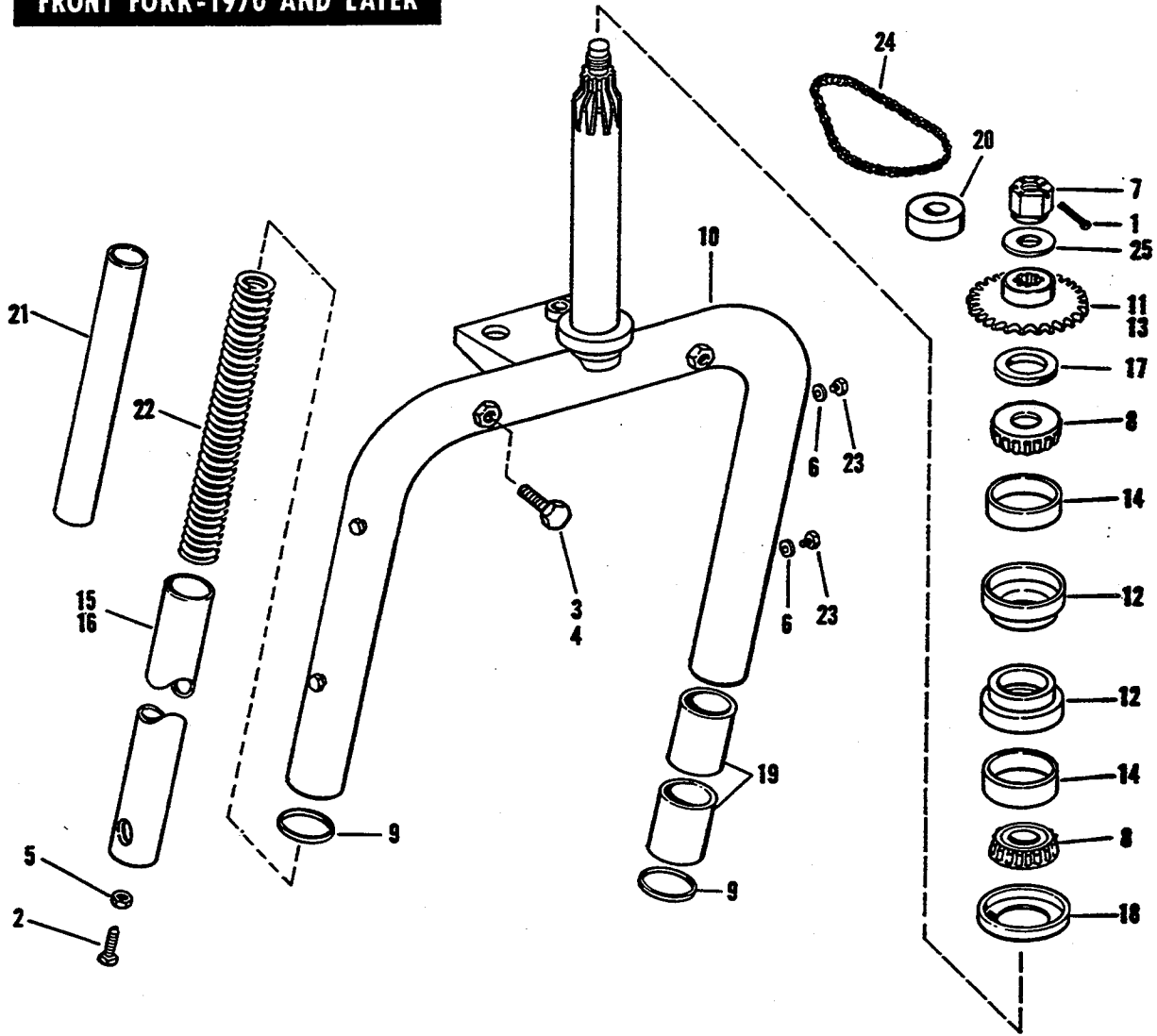
INDEX NO.	PART NO.	NAME	USED ON
1	41405-66A	BRAKE DRUM .....	69 & 70 - DEC
2	41657-69	SIDE PLATE, left .....	69 & 70 - DEC
	41659-69	SIDE PLATE, right .....	69 & 70 - DEC
3	41665-66	PISTON REPAIR KIT, wheel cylinder (includes 2 of each item) .....	69 & 70 - DEC
4	41723-66	RETAINER KIT, brake shoe (includes 4 of each item) .....	69 & 70 - DEC
5	41732-66	REPAIR KIT, brake adjuster (2 screws, 4 tappets) .....	69 & 70 - DEC
6	41733-66	BRAKE ADJUSTER ASSEMBLY .....	69 & 70 - DEC
7	41739-66	WHEEL CYLINDER ASSEMBLY .....	69 & 70 - DEC
8	41747-66	MOUNTING KIT, wheel cylinder (includes 2 of each item) .....	69 & 70 - DEC
9	41763-66	WHEEL CYLINDER SEAL KIT (includes 2 of each item) .....	69 & 70 - DEC
10	41832-66	SET OF RETURN SPRINGS (includes 2 of each item) .....	69 & 70 - DEC
11	41844-66	SET OF LINED BRAKE SHOES (contains four) .....	69 & 70 - DEC



## FRONT FORK – 1963 TO 1969

INDEX NO.	PART NO.	NAME	USED ON
1	559	COTTER PIN, 1/8 x 1-1/4 .....	63 to 69 – DE, DEF, DEC
2	4041W	BOLT, 5/16-24 x 1-5/8 hex. hd. (2) .....	63 to 69 – DE, DEF, DEC
3	4337W	BOLT, 3/8-24 x 1-1/4 hex. hd. (steering wheel) .....	Late 67 to 69 – DE; 69 – DEC
3A	4411	BOLT, 3/8-24 x 1-3/4 hex. hd. (2) (1.45:1 ratio tiller) .....	Late 65 to 69 – DE, DEF, DEC
4	6218W	WASHER, 1/4 x 7/16 x 1/32 (4) .....	63 to 69 – DE, DEF
5	7041	LOCKWASHER, 5/16 (2) .....	63 to 69 – DE, DEF, DEC
6	7753	NUT, 5/16-24 x 17/64 x 1/2 hex. (2) .....	63 to 69 – DE, DEF, DEC
7	7947W	CASTLE NUT, 5/8-18 x 1/2 x 15/16 hex. ....	63 to 69 – DE, DEF, DEC
8	8854	BALL, steering head (23) .....	63 to 69 – DE, DEF, DEC
9	12009	OIL SEAL (2) .....	63 to 69 – DE, DEF, DEC
10	45525-63A	FORK WITH BUSHINGS (used with tiller bar) .....	63 to 69 – DE, DEF, DEC
	45526-67A	FORK WITH BUSHINGS (used with steering wheel) .....	63 to 69 – DE, DEC
11	45586-63	BEARING CUP, lower .....	63 to 69 – DE, DEF, DEC
12	45587-63	STEERING SPROCKET, (2.63:1 ratio) .....	63 to 69 – DE
	45587-65A	STEERING SPROCKET (1.45:1 ratio) .....	65 to 69 – DEF, DEC
13	45588-63	BEARING CUP, upper .....	63 to 69 – DE, DEF, DEC
14	45593-63	FORK SLIDER, right .....	63 to 69 – DE, DEF, DEC
	45594-63	FORK SLIDER, left .....	63 to 69 – DE, DEF, DEC
15	45595-63	BEARING CONE, steering head lower .....	63 to 69 – DE, DEF, DEC
16	45599-63	BEARING GUARD, steering head .....	63 to 69 – DE, DEF, DEC
17	45630-63	BUSHING, fork tube (4) .....	63 to 69 – DE, DEF, DEC
18	45736-47	BEARING CONE, steering head upper .....	63 to 69 – DE, DEF, DEC
19	46049-63A	FORK SPRING (2) .....	63 to 69 – DE, DEF, DEC
20	46201-52	FORK PLUG (4) .....	63 to 69 – DE, DEF, DEC
21	48360-47	BEARING GUARD, steering head upper .....	63 to 69 – DE, DEF, DEC
22	57012-65	STEERING CHAIN (1.45:1 ratio), with connecting link .....	65 to 69 – DEF, DEC; 69 – DE
	57014-63	STEERING CHAIN, (2.63:1 ratio), with connecting link .....	63 to 69 – DE
23	57069-67	SPACER, fork stem (for steering wheel – substitute for sprocket) .....	67 to 69 – DE; 69 – DEC
24	83975-37A	WASHER, 5/8 x 1-1/2 x 1/16 .....	63 to 69 – DE, DEF, DEC

# FRONT FORK-1970 AND LATER

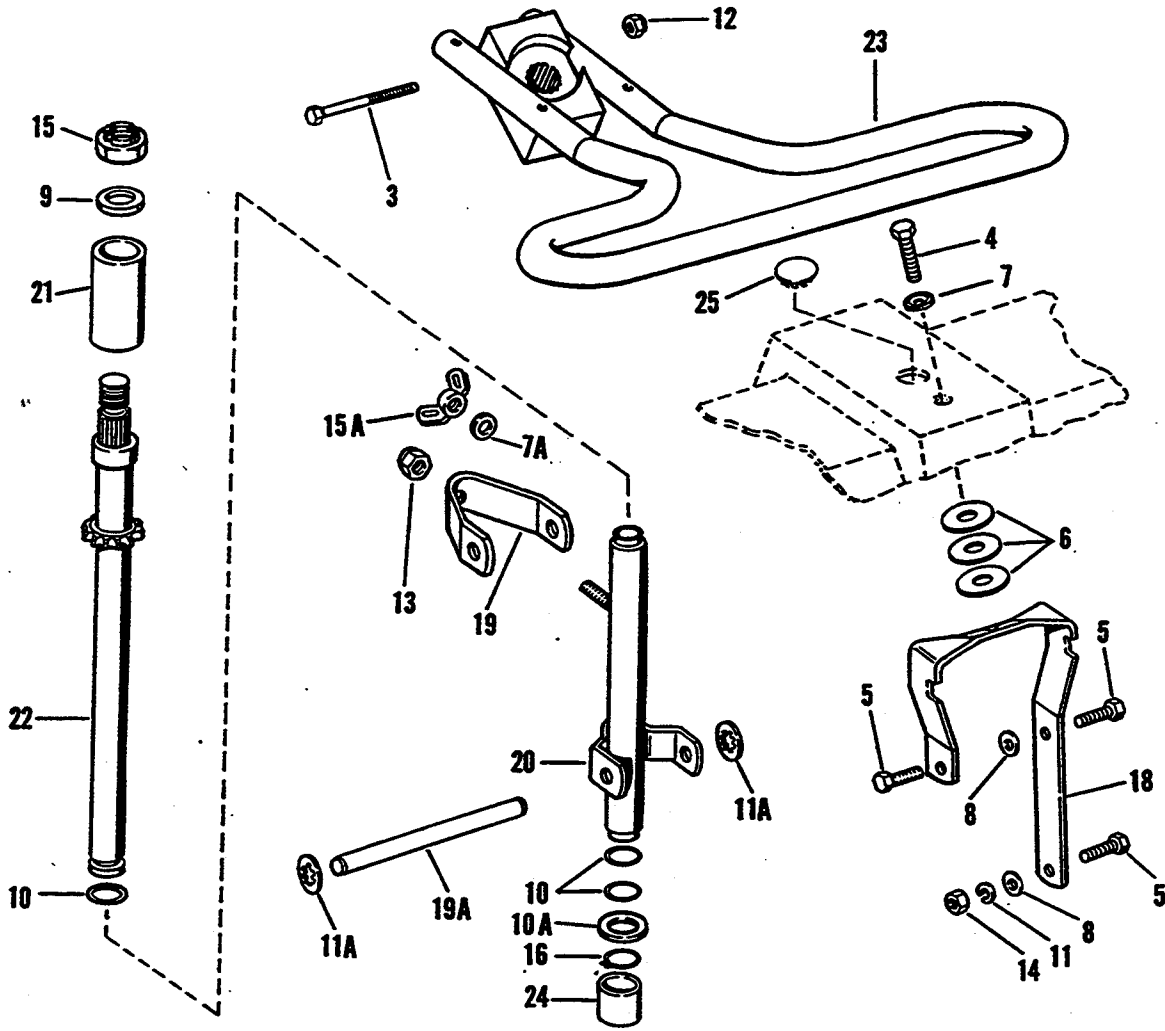


# FRONT FORK - 1970 & LATER

INDEX NO.	PART NO.	NAME	USED ON
1	559	COTTER PIN, 1/8 x 1-1/4 .....	70 to * - DE, DEC
2	3239W	BOLT, 1/4-28 x 3/4 square hd. ....	70 to * - DE, DEC
3	4337W	BOLT, 3/8-24 x 1-1/4 hex. hd. (steering wheel) .....	70 to * - DE, DEC
4	4411	BOLT, 3/8-24 x 1-3/4 hex. hd. (1.45:1 ratio tiller) .....	70 to * - DE, DEC
5	7676	NUT, 1/4-28 hex. ....	70 to * - DE, DEC
6	6218W	WASHER, 1/4 x 7/16 x 1/32 (4) .....	70 to * - DE, DEC
7	7947W	CASTLE NUT, 5/8-18 x 1/2 x 15/16 hex. ....	70 to * - DE, DEC
8	9045	ROLLER BEARING (2) .....	70 to * - DE, DEC
9	12009	OIL SEAL (2) .....	70 to * - DE, DEC
10	45526-70	FORK WITH BUSHINGS (used with steering wheel) .....	70 to * - DE, DEC
	45528-70	FORK WITH BUSHINGS (used with tiller bar) .....	70 to * - DE, DEC
11	45577-70	STEERING SPROCKET (1.45:1 ratio) .....	70 - DE, DEC
	45577-71	STEERING SPROCKET (1.44:1 ratio) .....	71 to * - DE
12	45586-70	BEARING CUP, fork stem (2) .....	70 to * - DE, DEC
13	45587-70	STEERING SPROCKET (2.63:1 ratio) .....	70 - DE, DEC
	45587-71	STEERING SPROCKET (2.55:1 ratio) .....	71 to * - DE
14	45589-70	BEARING CUP, fork stem (2) .....	70 to * - DE, DEC
15	45593-70	FORK SLIDER, right .....	70 to * - DE, DEC
16	45594-70	FORK SLIDER, left .....	70 to * - DE, DEC
17	45599-63	BEARING GUARD, steering head .....	70 to * - DE, DEC
18	45599-70	BEARING GUARD, steering head .....	70 to * - DE, DEC
19	45630-70	BUSHING, fork tube (4) .....	70 to * - DE, DEC
20	45632-70	SPACER, fork stem (for steering wheel - substitute for sprocket) .....	70 to * - DE, DEC
21	46047-70	LINER, fork spring (2) .....	70 to * - DE, DEC
22	46049-63A	FORK SPRING (2) .....	70 to * - DE, DEC
23	46201-52	FORK PLUG (4) .....	70 to * - DE, DEC
24	57012-65	STEERING CHAIN, with connecting link (1.45:1 ratio) .....	70 - DE, DEC
	57012-71	STEERING CHAIN, with connecting link (1.44:1 ratio) .....	71 to * - DE
	57014-63	STEERING CHAIN, with connecting link (2.63:1 ratio) .....	70 - DE, DEC
	57014-71	STEERING CHAIN, with connecting link (2.55:1 ratio) .....	71 to * - DE
25	83975-37A	WASHER, 5/8 x 1-1/2 x 1/16 .....	70 to * - DE, DEC

NOTE: Asterisk (\*) indicates part is used for latest model year shown on cover.

# STEERING TILLER

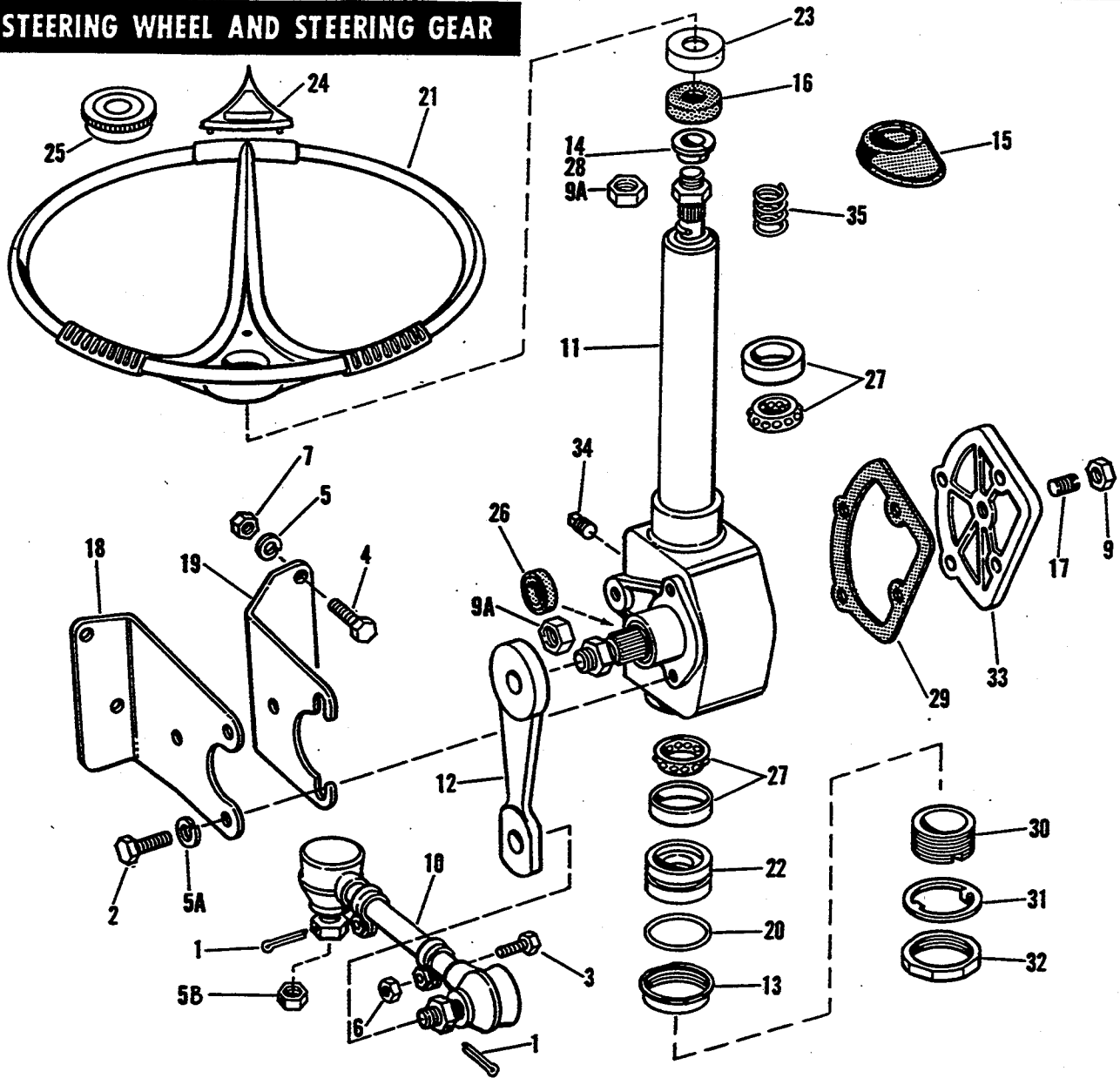


# STEERING TILLER

INDEX NO.	PART NO.	NAME	USED ON
3	3940	BOLT, 1/4-28 x 3-1/2 hex. hd. (2)	63 - DE
4	3960W	BOLT, 5/16-24 x 1 hex. hd.	63 to * - DE, DEF
5	4320B	BOLT, 3/8-24 x 1 hex. hd. (3 - 1970 & Earlier) (1)	63 to * - DE, DEF, DEC
6	5927	RUBBER WASHER, 11/32 x 1-1/2 x 3/32 (3)	63 to * - DE, DEF, DEC
7	6253W	WASHER, fork housing, 17/64 x 3/4 x 1/16	66 to * - DEC
	6329W	WASHER, 5/16 x 7/8 x 3/32	63 to * - DE, DEF
7A	6388W	WASHER, 3/8 x 3/4 x 1/16	71 to * - DE
8	6418B	WASHER, 3/8-1-1/8 x 11/64 (2)	Late 67 to * - DE; 69 to * - DEC
9	6714W	WASHER, 5/8 x 1 x 1/32	63 to * - DE, DEF, DEC
10	6801B	WASHER, 3/4 x 7/8 x .007 (as required)	63 to * - DE, DEF, DEC
10A	6810B	THRUST WASHER, tiller shaft, 3/4 x 1 x 5/8	63 to * - DE, DEF, DEC
11	7045	LOCKWASHER, 3/8 (3 - 1968 & Earlier) (1)	63 to * - DE, DEF, DEC
11A	7622	PUSH NUT, chain adjuster pin (2)	71 to * - DE
12	7683	NUT, 1/4-28 Flexloc (2)	63 - DE
13	7775	LOCK NUT, 3/8-24	63 to * - DE, DEF, DEC
14	7800W	NUT, 3/8-24 (3 - 1968 & Earlier) (1)	63 to * - DE, DEF, DEC
15	7993	NUT, 5/8-18 Flexloc	63 to * - DE, DEF, DEC
15A	8110	WING NUT	71 to * - DE
16	11032	RETAINING RING	63 to * - DE, DEF, DEC
18	45581-67A	STEERING HEAD BRACKET (steering wheel)	Late 67 to * - DE; 69 to * - DEC
	45584-63C	STEERING HEAD BRACKET (tiller bar)	63 to * - DE, DEF, DEC
19	57008-63	CHAIN ADJUSTMENT BRACKET	63 to * - DE, DEF, DEC
19A	57010-71	PIN, chain adjuster	71 to * - DE
20	57011-63A	TILLER SHAFT TUBE ASSEMBLY	63 to * - DE, DEF, DEC
21	57020-71	SPACER	71 to * - DE
	57021-71	TILLER SHAFT	71 to * - DE
22	57021-63B	TILLER SHAFT	Late 68 to 70 - DE, DEC
23	57025-63B	TILLER BAR, with head	63 to * - DE, DEF, DEC
24	57031-63	CAP, tiller shaft	63 to * - DE, DEF, DEC
25	57035-69	HOLE PLUG, fork housing top	69 to * - DEC

NOTE: Asterisk (\*) indicates part is used for latest model year shown on cover.

# STEERING WHEEL AND STEERING GEAR



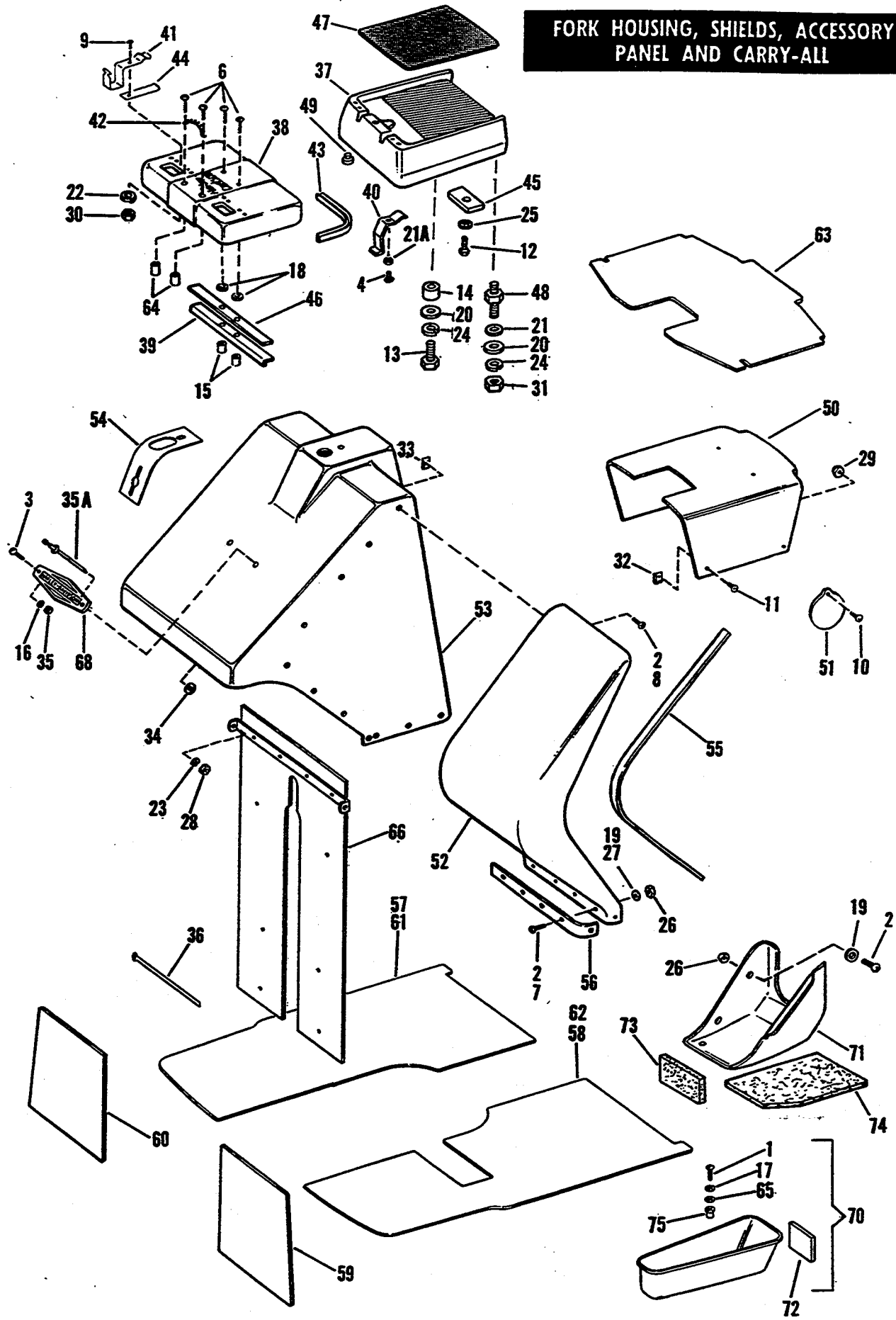


# STEERING WHEEL AND STEERING GEAR

INDEX NO.	PART NO.	NAME	USED ON
1	559	COTTER PIN, 1/8 x 1-1/4 (2)	69 & 70 - DEC; Late 67 to * - DE
2	3855B	BOLT, 7/16-14 x 1 hex. hd. (3)	69 & 70 - DEC; Late 67 to * - DE
3	4020W	BOLT, tie rod, 5/16-24 x 1-3/8 hex. hd. (2)	69 & 70 - DEC; Late 67 to * - DE
4	4320B	BOLT, 3/8-24 x 1 hex. hd. (6)	63 to * - DE, DEF, DEC
5	7045	LOCKWASHER, 3/8 (3 - 68 & Earlier) (1 - 69 & Later)	63 to * - DE, DEF, DEC
5A	7056	LOCKWASHER, 7/16 (3)	69 & 70 - DEC; Late 67 to * - DE
5B	7607B	CASTLE NUT, tie rod, 1/2-20 (2)	69 & 70 - DEC; Late 67 to * - DE
6	7753	NUT, tie rod, 5/16-24 x 1/4 x 1/2 hex. (2)	69 & 70 - DEC; Late 67 to * - DE
7	7800W	NUT, 3/8-24 x 21/64 x 9/16 hex. (3 - 68 & Earlier) (1 - 69 & Later)	63 to * - DE, DEF, DEC
9	7908	LOCK NUT, worm adjusting screw	69 & 70 - DEC; Late 68 to * - DE (Above Serial No. 68DE-6172)
9A	7995	NUT, 5/8-18 (2)	69 & 70 - DEC; Late 67 to * - DE
10	57063-67	TIE ROD, steering arm	69 & 70 - DEC; Late 67 to * - DE
11	57064-69	STEERING GEAR ASSEMBLY	69 & 70 - DEC; Late 67 to * - DE
12	57065-67	ARM, steering gear	69 & 70 - DEC; Late 67 to * - DE
13	57066-68	LOCK NUT, end cap	69 & 70 - DEC; Late 68 to * - DE (Above Serial No. 68DE-6172)
14	57067-68	UPPER NYLON BUSHING, steering shaft	69 & 70 - DEC; Late 68 to * - DE (Above Serial No. 68DE-6172)
15	57068-67	RUBBER COVER, steering column	69 & 70 - DEC; Late 67 to * - DE
16	57070-68	SPACER, used under dirt guard	69 & 70 - DEC; Late 68 to * - DE (Above Serial No. 68DE-6172)
17	57071-68	ADJUSTING SCREW, steering gear worm	69 & 70 - DEC; Late 68 to * - DE (Above Serial No. 68DE-6172)
18	57072-67	FRONT BRACKET, steering gear	69 & 70 - DEC; Late 67 to * - DE
19	57073-67	REAR BRACKET, steering gear	69 & 70 - DEC; Late 67 to * - DE
20	57074-68	O-RING, end cap	69 & 70 - DEC; Late 68 to * - DE (Above Serial No. 68DE-6172)
21	57075-67A	STEERING WHEEL, white	Late 67 to * - DE
	57075-69	STEERING WHEEL, black	69 & 70 - DEC
22	57076-68	END CAP	69 & 70 - DEC; Late 68 to * - DE (Above Serial No. 68DE-6172)
23	57077-67	DIRT GUARD, steering gear	69 & 70 - DEC; Late 67 to * - DE
24	57078-67	COVER, steering wheel hub, white	Late 67 to * - DE
25	57078-69	COVER, steering wheel hub, black	69 & 70 - DEC
26	57081-67	OIL SEAL, steering shaft	69 & 70 - DEC; Late 67 to * - DE
27	57082-67	SET OF BEARINGS AND CUPS, worm shaft	69 & 70 - DEC; Late 67 to * - DE
28	57083-67	UPPER NYLON BUSHING, steering shaft	Late 67 & Early 68 - DE (Below Serial No. 68DE-6172)
29	57084-67	GASKET, side cover	69 & 70 - DEC; Late 67 to * - DE
30	57085-67	END CAP	Late 67 & Early 68 - DE (Below Serial No. 68DE-6172)
31	57086-67	LOCKWASHER, end cap	Late 67 & Early 68 - DE (Below Serial No. 68DE-6172)
32	57087-67	LOCK NUT, end cap	Late 67 & Early 68 - DE (Below Serial No. 68DE-6172)
33	57088-67	SIDE COVER	69 & 70 - DEC; Late 67 to * - DE
34	57090-67	FILLER PLUG	69 & 70 - DEC; Late 67 to * - DE
35	57091-67	SPRING, steering wheel column	Late 67 & Early 68 - DE (Below Serial No. 68DE-6172)

NOTE: Asterisk (\*) indicates part is used for latest model year shown on cover.

**FORK HOUSING, SHIELDS, ACCESSORY  
PANEL AND CARRY-ALL**



# FORK HOUSING SHIELDS, ACCESSORY PANEL AND CARRY-ALL

INDEX NO.	PART NO.	NAME	USED ON
1	1078W	SCREW, 1/4-20 x 1-1/2 ctsk. hd. ....	66 - DE
2	1719W	SCREW, No. 8-32 x 5/8 Phil. hd. (24).....	Late 64 to * - DE, DEF, DEC
3	2065W	SCREW, No. 4-40 x 1/2 Phil. hd. (2) .....	66 to 70 - DE, DEC
4	2073W	SCREW, No. 4-40 self-tapping.....	67 to * - DE, DEC
6	2643	SCREW, No. 8-32 x 1-1/4 Phil. hd. (4).....	63 to 66 - DE, DEF
7	2676W	SCREW, No. 10-24 x 5/8 self-tapping Phil. hd. (18) .....	63 & Early 64 - DE
8	2679W	SCREW, No. 10-24 x 9/16 Phil. hd. (16).....	63 & Early 64 - DE
9	2682	SCREW, No. 10-32 x 3/8 Phil. hd. (2).....	63 to 66 - DE, DEF
10	2684W	SCREW, No. 10-32 x 5/8 rd. hd.....	63 & Early 64 - DE
11	2731W	SCREW, No. 10 x 3/8 self-tapping rd. hd. (4) .....	63 & Early 64 - DE
	3550	SCREW, No. 10-32 x 3/8 hex. hd. (4) .....	Late 64 to * - DE, DEF, DEC
12	3794W	SCREW, 1/4-14 self-tapping hex. hd. (2).....	67 to * - DE, DEC
13	4005W	BOLT, 5/16-18 x 1 hex. hd. (for steering wheel).....	Late 67 to * - DE
14	5919	SPACER, accessory panel .....	Late 67 to * - DE
15	5929	SPACER, accessory panel (2) .....	63 to 66 - DE, DEF
16	6030W	WASHER, 7/64 x 3/8 x 1/32 (2) .....	66 to 70 - DE, DEC
17	6102	CUP WASHER, carry-all.....	63 to 66 - DE
18	6186	WASHER, 3/16 x 1/2 x 1/8 (fiber) (2) .....	63 to 66 - DE, DEF
19	6189W	WASHER, No. 8 x 13/32 x 1/32 (22).....	Late 64 to * - DE, DEF, DEC
20	6327B	WASHER, 5/16 x 3/4 x 1/16 (2).....	Late 67 to * - DE
21	6341B	WASHER, 5/16 x 1-1/8 x 1/16.....	Late 67 to * - DE
21A	7005	LOCKWASHER, No. 4 .....	67 to * - DE, DEC
22	7021	LOCKWASHER, No. 10 (2).....	63 to * - DE, DEF
23	7025W	LOCKWASHER, No. 10 (2).....	64 to * - DE, DEF, DEC
24	7041	LOCKWASHER, 5/16 (2).....	Late 67 to * - DE
25	7124	LOCKWASHER, 1/4 int. tooth (2).....	67 to * - DE, DEC
26	7609W	NUT, No. 8-32 Flexloc (24).....	Late 64 to * - DE, DEF, DEC
27	7613A	SPEED NUT, No. 10 (18).....	63 & Early 64 - DE
28	7620W	NUT, No. 10-24 x 1/8 x 3/8 hex. (2).....	64 to * - DE, DEF, DEC
29	7626W	NUT, No. 10-32 Flexloc.....	63 & Early 64 - DE
30	7638	NUT, No. 10-32 x 1/8 x 3/8 hex. (2).....	63 to * - DE, DEF
31	7748W	NUT, 5/16-18 x 17/64 x 1/2 hex. (steering wheel) .....	Late 67 to * - DE
32	8115B	SPEED NUT, No. 10 (4).....	63 & Early 64 - DE
33	8121	SPEED NUT, No. 10 (16).....	63 & Early 64 - DE
34	8129B	SPEED NUT, name plate (2) .....	63 to 65 - DE, DEF, DEC
35	8131W	LOCK NUT, No. 4-40 (2) .....	66 to 70 - DE, DEC
35A	8321	RIVET (2) .....	71 to * - DE, DEC
36	10016	METAL STRAP, front splash guard (3) .....	64 to 67 - DEF, DEC
37	31400-67B	ACCESSORY PANEL (used with steering wheel) .....	Late 67 to * - DE
	31401-67A	ACCESSORY PANEL .....	70 - DEC
38	31402-63A	ACCESSORY PANEL .....	63 to 66 - DE
	31403-64A	ACCESSORY PANEL .....	65 to 66 - DEF, DEC
39	31404-63	REINFORCEMENT, accessory panel .....	63 to 66 - DE, DEF, DEC
	31406-67	ACCESSORY PANEL .....	67 to 69 - DE, DEC; 70 to * - DE
40	31407-67	PENCIL AND SCORE CARD CLIP .....	67 to * - DE, DEC
41	31408-63	PENCIL CLIP (2).....	63 to 66 - DE, DEF, DEC
42	31410-63	CIGARETTE HOLDER, spring.....	63 & 64 - DE, DEF
43	31413-63	EDGING, accessory panel.....	63 to 66 - DE, DEF, DEC
44	31414-63	SCORE CARD CLIP (2).....	63 to 66 - DE, DEF, DEC
45	31415-67	MOUNTING PLATE, accessory panel (2).....	67 to * - DE, DEC
46	31416-63	PAD, accessory panel.....	63 to 66 - DE, DEF, DEC
47	31417-67	PLASTIC COVER, accessory panel .....	70 - DEC
	31418-67	PLASTIC COVER, accessory panel (instructions) .....	67 to 69 - DE, DEC; 70 to * - DE
48	31419-67	STUD, accessory panel.....	Late 67 to * - DE
49	31420-67	RUBBER BUMPER, accessory panel (4) .....	Late 67 to * - DE
50	50209-63A	TUNNEL COVER .....	63 & 64 - DE
	50209-65	TUNNEL COVER .....	65 - DE, DEF, DEC
	50209-66	TUNNEL COVER .....	66 to 68 - DE, DEC
51	50218-63	COVER PLATE, charger plug .....	63 & Early 64 - DE
52	50253-63	SHIELD, left .....	63 & 64 - DE
	50253-65	SHIELD, left .....	65 - DE, DEF, DEC
	50253-66B	SHIELD, left .....	66 to * - DE, DEC
	50255-63	SHIELD, right .....	63 & 64 - DE
	50255-65	SHIELD, right .....	65 - DE, DEF, DEC
	50255-66B	SHIELD, right .....	66 to * - DE, DEF

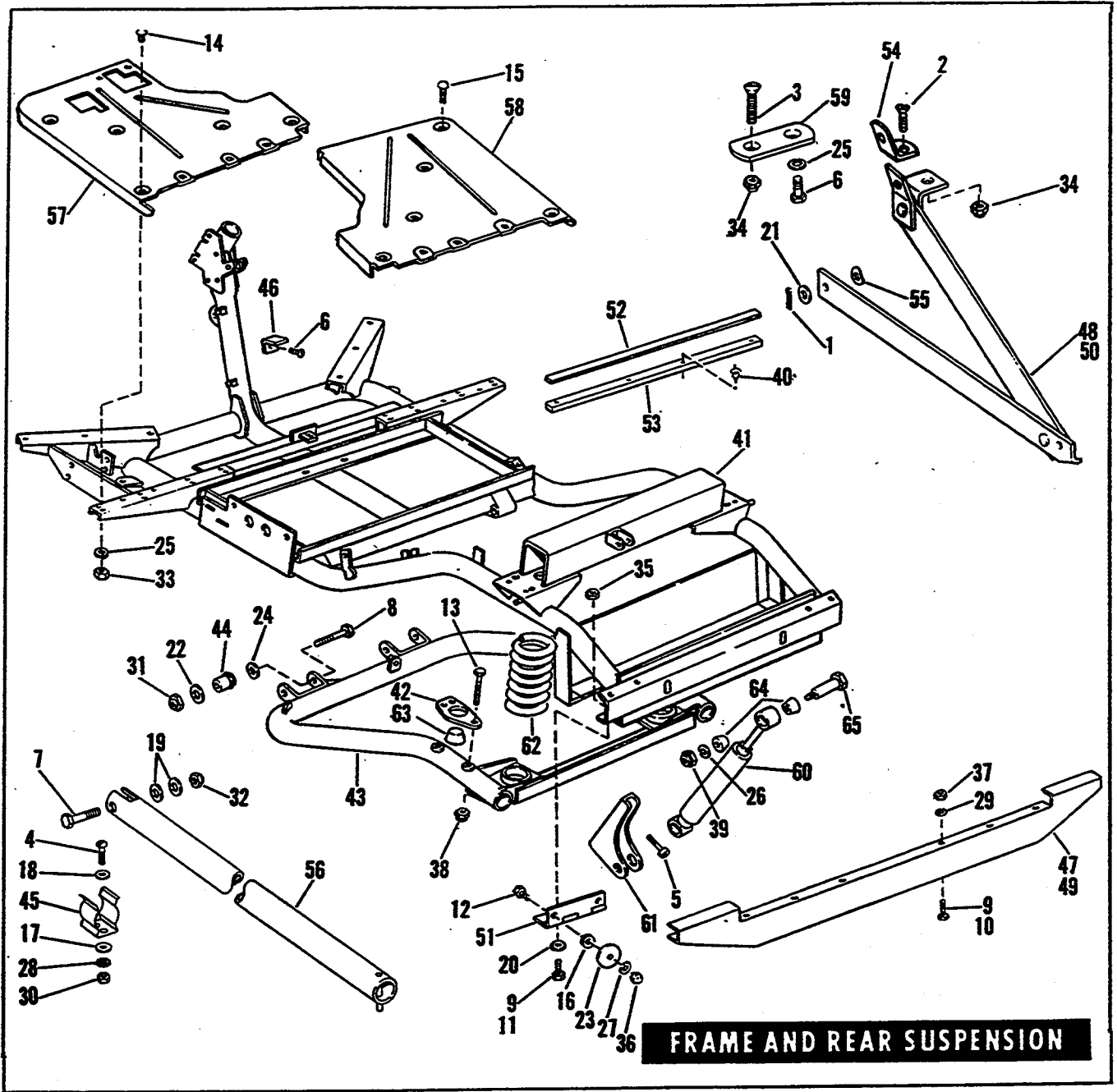
NOTE: Asterisk (\*) indicates part is used for latest model year shown on cover.

## FORK HOUSING, SHIELDS, ACCESSORY PANEL AND CARRY-ALL (CONT'D)

INDEX NO.	PART NO.	NAME	USED ON
53	50260-63	FORK HOUSING .....	63 to 65 - DE, DEF, DEC
	50260-66B	FORK HOUSING .....	66 to * - DE, DEC
54	50283-65	REINFORCEMENT, fork housing .....	65 - DEF, DEC
	50283-66	REINFORCEMENT, fork housing .....	66 to * - DEC
55	50303-66A	TRIM STRIP, front shield (2) .....	66 to * - DE, DEC
56	50304-66	REINFORCEMENT, shield (2) .....	66 to * - DE, DEC
57	50528-67	FLOOR MAT, right shield & floorboard .....	67 to * - DE; 69 & 70 - DEC
58	50529-67A	FLOOR MAT, left shield & floorboard .....	67 to * - DE; 69 & 70 - DEC
59	50530-63	FLOOR MAT, left .....	63 & 64 - DE
60	50531-63	FLOOR MAT, right .....	63 & 64 - DE
	50532-63	FLOOR MAT, right inner .....	63 & 64 - DE
	50533-63	FLOOR MAT, right outer .....	63 & 64 - DE
61	50533-65A	FLOOR MAT, right shield & floorboard .....	65 & 66 - DE, DEC; 67 & 68 - DEC
	50534-63	FLOOR MAT, left .....	63 & 64 - DE
62	50534-65A	FLOOR MAT, left shield & floorboard .....	65 & 66 - DE, DEC; 67 & 68 - DEC
63	50536-63	COVER MAT .....	63 & Early 64 - DE
	50536-66	COVER MAT .....	66 - DE, DEC; 67 & 68 - DEC
	50537-64	COVER MAT .....	Late 64 - DE
	50537-65	COVER MAT .....	65 - DE, DEF, DEC
64	57029-63	SPACER, accessory panel (2) .....	63 to 66 - DE, DEF
65	58102-49	SPACER, carry-all .....	66 - DE
66	59013-64	FRONT SPLASH GUARD .....	64 & 65 - DEF, DEC
	59013-66	FRONT SPLASH GUARD .....	66 & 67 - DEC
68	61771-66A	NAME PLATE .....	63 to * - DE, DEF, DEC
70	64000-66	CARRY-ALL, with fittings (between seats) .....	63 to 66 - DE
71	64003-67	CARRY-ALL, right .....	67 to * - DE
	64004-67	CARRY-ALL, left .....	67 to * - DE
72	64009-63	PAD, carry-all .....	63 to 66 - DE
73	64009-67	PAD, carry-all (small) .....	67 to * - DE
74	64010-67	PAD, carry-all (left) .....	67 to * - DE
	64011-67	PAD, carry-all (right) .....	67 to * - DE
75	64511-63	WELL NUT, carry-all .....	63 to 66 - DE

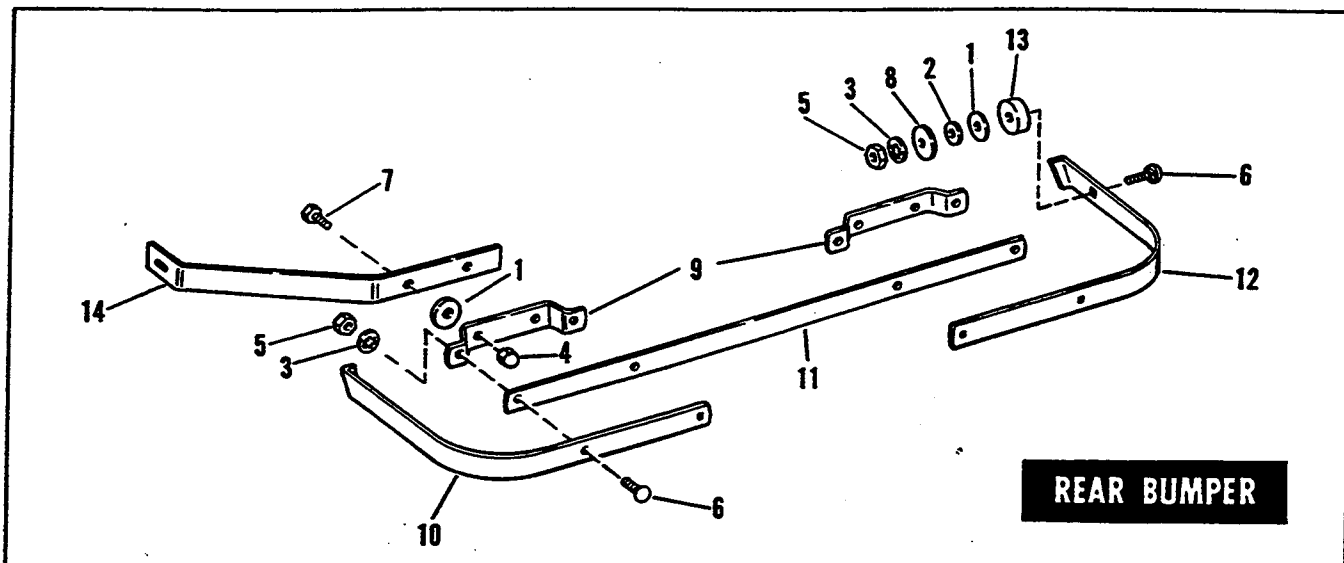
## FRAME AND REAR SUSPENSION

1	515	COTTER PIN, 1/16 x 3/4 (2) .....	66 to * - DEC
2	1357W	SCREW, 1/4-20 x 7/8 Phil. hd. (4) .....	67 to * - DE
3	2336	SCREW, 1/4-20 x 1 ctsk. hd. (4) .....	66 - DE
4	2544W	SCREW, No. 4-36 x 3/8 rd. hd. (2) .....	65 - DEC
5	3202W	SCREW, with lockwasher 5/16-18 x 3/4 soc. hd. (2) .....	66 to * - DE, DEC
6	3728	BOLT, 1/4-20 x 1/2 hex. hd. (5) .....	66 to * - DE, DEC
7	3840	BOLT, 1/4-28 x 1-1/4 hex. hd. .....	65 - DEC
8	3953B	PIVOT BOLT, rear fork, 1/2-20 x 4-1/4 hex. hd. (2) .....	66 to * - DE, DEC
9	3956	BOLT, 5/16-24 x 9/16 hex. hd. (4) .....	63 to * - DE, DEF, DEC
10	3959	BOLT, 5/16-18 x 9/16 hex. hd. (2) .....	65 - DEC
11	3986	BOLT, 5/16-24 x 27/32 hex. (used for ground) .....	63 to * - DE, DEF, DEC
12	4012	BOLT, 5/16-24 x 1-1/8 hex. hd. (4) .....	63 to * - DE, DEF
13	4434W	BOLT, 3/8-24 x 3-1/4 hex. hd. (4) .....	66 to * - DE, DEC
14	5405B	CARRIAGE BOLT, 1/4-20 x 3/4 (10) .....	63 to * - DE, DEF, DEC
15	5406B	CARRIAGE BOLT, 1/4-20 x 1-1/8 (2) .....	63 to * - DE, DEF
16	5927	RUBBER WASHER, 11/32 x 1-1/2 x 3/32 (4) .....	63 to * - DE, DEF
17	6030W	WASHER, 7/64 x 3/8 x 1/32 .....	65 - DEC
18	6075W	WASHER, 1/8 x 5/16 x 1/32 .....	65 - DEC
19	6255B	WASHER, 1/4 x 3/4 x 1/32 (2) .....	65 - DEC
20	6332B	WASHER, 5/16 x 15/16 x 1/16 (4) .....	63 to * - DE, DEF
21	6440B	WASHER, 13/32 x 5/8 x 1/32 (2) .....	66 to * - DEC
22	6568B	WASHER, 1/2 x 13/16 x 1/8 (2) .....	66 to * - DE, DEC
23	6678W	WASHER, 1/4 x 1-1/2 x 3/16 (4) (not used with rear bumper) .....	63 to * - DE, DEF
24	6681	WASHER, 25/32 x 1-1/2 x 1/32 (nylon) (2) .....	66 to * - DE, DEC
25	7036	LOCKWASHER, 1/4 (12) .....	63 to * - DE, DEF, DEC
26	7060	LOCKWASHER, 1/2 (2) .....	66 to * - DE, DEC
27	7127	LOCKWASHER, 5/16 internal tooth (4) .....	63 to 67 - DE, DEF
28	7206W	LOCKWASHER, No. 4 ext. tooth (2) .....	65 - DEC
29	7232	LOCKWASHER, 5/16 ext. tooth (2) .....	65 to * - DEC



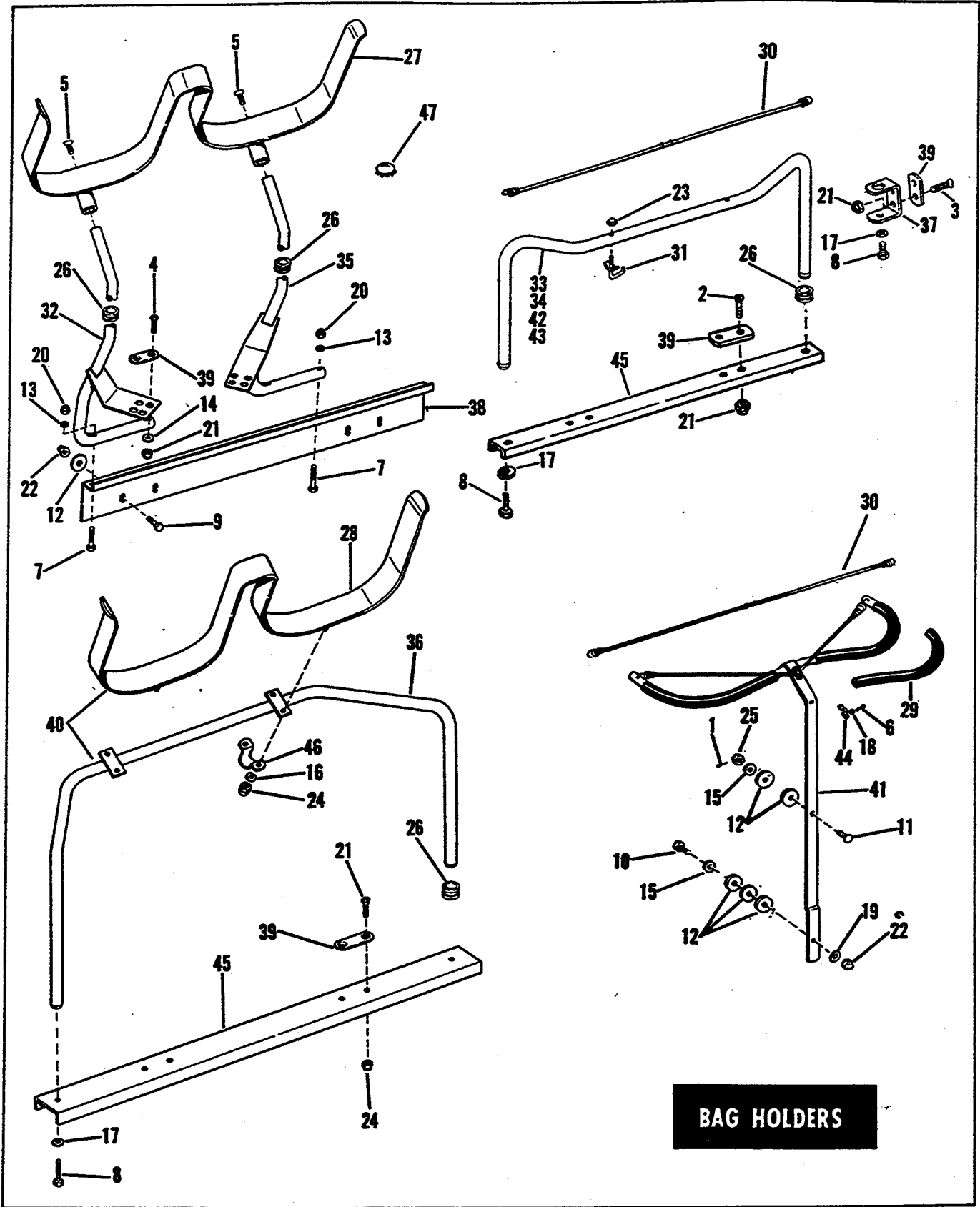
## FRAME AND REAR SUSPENSION (CONT'D)

INDEX NO.	PART NO.	NAME	USED ON
30	7564	NUT, No. 4-36 x 3/32 x 1/4 hex. (2)	65 - DEC
31	7572W	LOCK NUT, 1/2-20 (2)	66 to * - DE, DEC
32	7683	LOCK NUT, 1/4-28	65 - DEC
33	7685	NUT, 1/4-20 x 9/32 x 7/16 hex. (12)	63 to * - DE, DEF
34	7686	LOCK NUT, 1/4-20 (4)	65 to * - DE
35	7727	NUT, 5/16-24 Flexloc (4)	63 to * - DE, DEF, DEC
36	7735W	ACORN NUT, 5/16-24 (4)	63 to * - DE, DEF
37	7748W	NUT, 5/16-18 x 17/64 x 1/2 hex. (2)	65 to * - DEC
38	7775	LOCK NUT, 3/8-24 (4)	66 to * - DE, DEC
39	7908	NUT, 1/2-20 x 5/16 x 13/16 hex. (2)	66 to * - DE, DEC
40	10010	CLIP, body cushion (4)	63 to * - DE, DEF
41	47018-63	FRAME	63 to 65 - DE, DEF
	47018-66	FRAME	66 - DE
	47018-67A	FRAME	67 to 69 - DE
	47018-70A	FRAME	70 to * - DE
	47019-65	FRAME	65 - DEC
	47019-66A	FRAME	66 to 68 - DEC
	47019-69	FRAME	69 - DEC
	47019-70	FRAME	70 - DEC
42	47300-66A	BUMPER PLATE (2)	66 to * - DE, DEC
43	47461-66A	REAR FORK, complete	66 to * - DE, DEC
44	47524-66	BUSHING, rear fork (2)	66 to * - DE, DEC
45	49404-61	SPRING CLIP, body support	65 - DEC
46	50125-66	SUPPORT BRACKET, tunnel	66 - DE, DEC; 67 & 68 - DEC
47	50240-66	FRAME REAR APRON	66 to * - DEC
48	50243-66	BODY SUPPORT, left	66 - DE, DEC; 67 & 68 - DEC
	50243-67	BODY SUPPORT, left	67 to * - DE
	50243-69	BODY SUPPORT, left	69 & 70 - DEC
49	50244-65	FRAME REAR APRON	65 - DEC
50	50244-66	BODY SUPPORT, right	66 - DE, DEC; 67 & 68 - DEC
	50244-67	BODY SUPPORT, right	67 to * - DE
	50244-69	BODY SUPPORT, right	69 & 70 - DEC
51	50270-63A	PAIR OF BODY HINGES	63 & 64 - DE
	50271-65	BODY HINGE (2)	65 to * - DE, DEF
52	50273-63	BODY CUSHION, front upper	63 & 64 - DE
53	50275-63	BODY CUSHION (2)	63 to 65 - DE, DEF
	50275-66	BODY CUSHION (2)	66 to * - DE, DEC
54	50277-67	REINFORCEMENT, body support (2)	67 to * - DE
55	50284-66	SPRING WASHER (2)	66 to 70 - DE, DEC
56	50300-65	BODY SUPPORT ROD	65 - DEC
57	50514-63C	FLOOR PANEL, left	63 to 66 - DE, DEF, DEC; 67 & 68 - DEC
	50514-67A	FLOOR PANEL, left	67 to 69 - DE; 69 - DEC
	50514-70	FLOOR PANEL, left	70 to * - DE, DEC
58	50519-63A	FLOOR PANEL, right	63 to 66 - DE, DEF; 67 & 68 - DEC
	50519-67A	FLOOR PANEL, right	67 to 69 - DE; 69 - DEC
	50519-70	FLOOR PANEL, right	70 to * - DE, DEC
59	53491-65	REINFORCEMENT (2)	66 - DE
60	54514-66	SHOCK ABSORBER	66 to * - DE, DEC
61	54524-66	LOWER BRACKET, shock absorber	66 to * - DE, DEC
62	54562-66A	REAR SPRING (2)	66 to 70 - DEC
	54564-66	REAR SPRING (2)	66 to * - DE
63	83003-32	RUBBER BUMPER (2)	66 to * - DE, DEC
64	85210-42A	RUBBER BUSHING (2)	66 to * - DE, DEC
65	85213-42	SHOULDER BOLT, shock absorber (2)	66 to * - DE, DEC



### REAR BUMPER

INDEX NO.	PART NO.	NAME	USED ON
1	5927	RUBBER WASHER, 11/32 x 1-1/2 x 3/32 (6)	63 to * - DE, DEF
2	6319HW	WASHER, 5/16 x 11/16 x 1/16 (2)	Late 69 to * - DE
3	7127	LOCKWASHER, 5/16 internal tooth	63 to 67 - DE, DEF
4	7735W	ACORN NUT, 5/16-24 (4)	63 to * - DE, DEF
5	7739	LOCK NUT, 5/16-18 (6)	63 to * - DE, DEF
6	5450C	CARRIAGE BOLT, 5/16-18 x 1-1/2 (6)	63 to * - DE, DEF
7	4012	BOLT, 5/16-24 x 1-1/8 hex. hd. (4)	63 to * - DE, DEF
8	31067-63	STEEL WASHER, rear bumper mounting (at sides) (2)	63 to Early 69 - DE, DEF
	44909-63	REAR BUMPER ASSEMBLY, complete	63 to * - DE, DEF
	44911-63	REAR BUMPER BRACKET (2)	63 to * - DE, DEF
10	44913-63A	BUMPER, left rear	63 to * - DE, DEF
11	44914-63	BUMPER, center rear	63 to * - DE, DEF
12	44915-63A	BUMPER, right rear	63 to * - DE, DEF
13	44917-63	SPACER, rear bumper mounting (at sides) (2)	63 to * - DE, DEF
14	50347-69	BRACKET, body reinforcement	Late 69 to * - DE

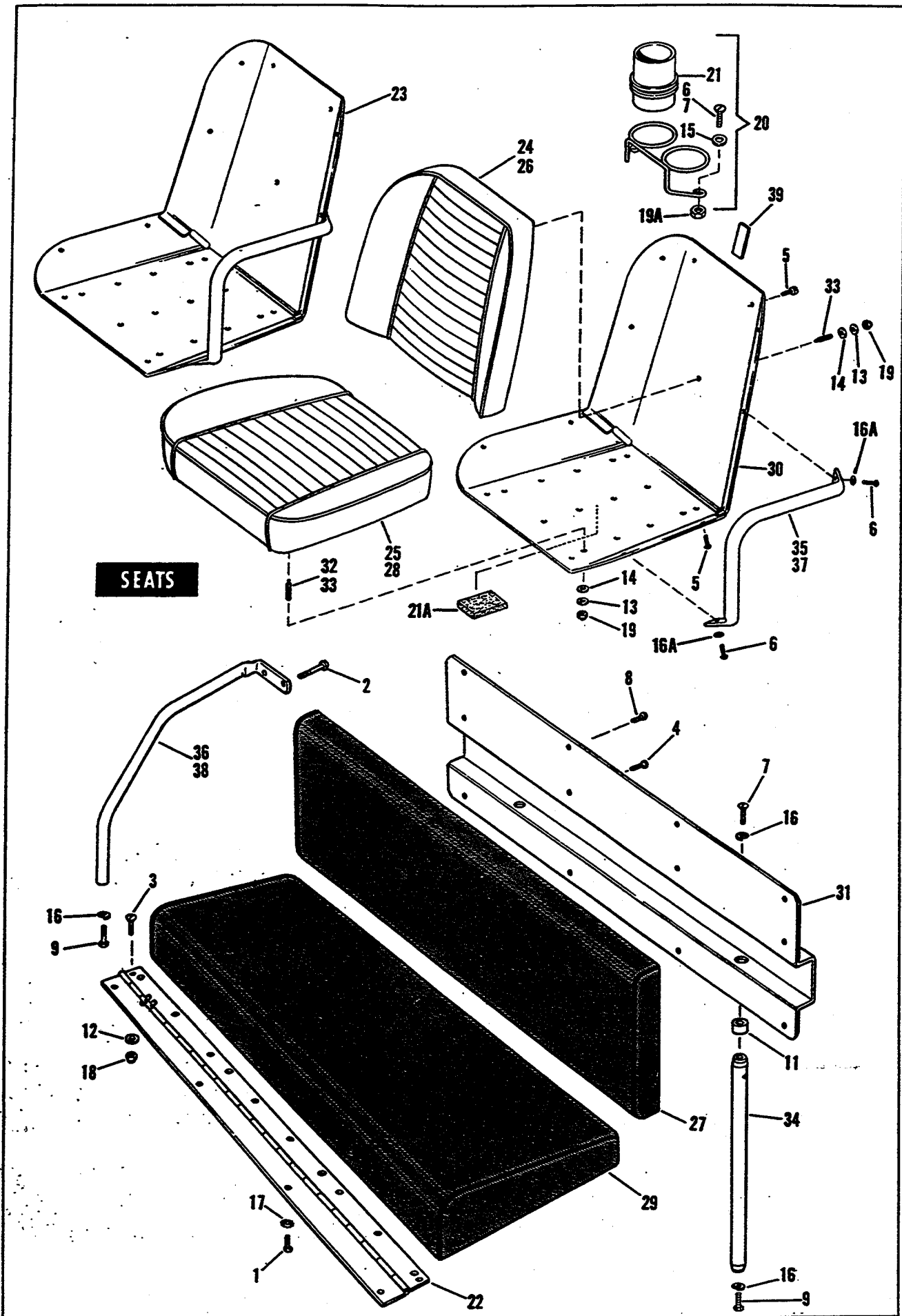




## BAG HOLDERS

INDEX NO.	PART NO.	NAME	USED ON
1	515	COTTER PIN, 1/16 x 3/4.....	63 & 64 - DE
2	1357W	SCREW, 1/4-20 x 7/8 Phil. hd. (8) .....	67 to * - DE
3	2336	SCREW, 1/4-20 x 1 ctsk. hd. (4) .....	65 & 66 - DE
4	2410W	SCREW, 1/4-20 x 1 Phil. hd. (4) .....	Late 70 to * - DE
5	2440W	SCREW, bag holder (2) .....	70 - DE
6	2630W	SCREW, No. 8-32 x 5/16 self-tapping rd. hd. (2).....	63 & 64 - DE
7	3841B	BOLT, bag holder .....	70 - DE
8	3974HW	BOLT, 5/16-24 x 3/4 hex. hd. (2) .....	65 to * - DE
9	4012	BOLT, 5/16-24 x 1-1/8 hex. hd. (4) .....	67 to 70 - DE
10	4014W	BOLT, 5/16-24 x 1-1/4 hex. hd. .....	63 & 64 - DE
11	5450C	CARRIAGE BOLT, 5/16-18 x 1-1/2 .....	63 & 64 - DE
12	5927	RUBBER WASHER, 11/32 x 1-1/2 x 3/32 (13) .....	63 to * - DE
13	6240B	WASHER, 1/4 x 9/16 x 1/16 (4) .....	70 - DE
14	6329W	WASHER, 5/16 x 7/8 x 5/64 (4) .....	70 - DE
15	6341B	WASHER, 5/16 x 1-1/8 x 1/16 (5).....	63 & 64 - DE
16	7036	LOCKWASHER, 1/4 (4) .....	71 to * - DE
17	7041	LOCKWASHER, 5/16 x 9/16 (2) .....	65 to * - DE
18	7115	LOCKWASHER, No. 8 int. tooth (2) .....	63 & 64 - DE
19	7127	LOCKWASHER, 5/16 int. tooth (6).....	63 & 64 - DE
20	7683	LOCK NUT, 1/4-28 (4) .....	70 - DE
21	7686	LOCK NUT, 1/4-20 (4) .....	66 to * - DE
22	7735W	ACORN NUT, 5/16-24 (3) .....	70 - DE
23	7736	ACORN NUT, 5/16-24 (2) .....	63 to * - DE
24	7737W	ACORN NUT, 1/4-20 (4) .....	71 to * - DE
25	7739	LOCK NUT, 5/16-18 .....	63 & 64 - DE
26	11417	GROMMET, bag rack (2) .....	65 to * - DE
27	53470-70	CARRIER, bag holder .....	70 - DE
28	53470-71	CARRIER, bag holder .....	71 to * - DE
29	53482-63	RUBBER TUBE, bag holder (2) .....	63 & 64 - DE
30	53486-63A	CORD, bag holder.....	63 to 70 - DE
31	53487-65	HOOK, bag holder (2) .....	65 to * - DE
32	53487-70	BAG HOLDER ASSEMBLY, right (cradle type).....	70 - DE
33	53488-65	BAG HOLDER (less hooks) .....	65 & 66 - DE
34	53488-67	BAG HOLDER (less hooks) .....	67 to * - DE
35	53488-70	BAG HOLDER ASSEMBLY, left (cradle type).....	70 - DE
36	53488-71	BAG HOLDER ASSEMBLY (cradle type) .....	71 to * - DE
37	53489-65	BRACKET, bag holder (2) .....	65 & 66 - DE
38	53489-70	BRACKET, bag holder .....	70 - DE
39	53491-65	REINFORCEMENT (4) .....	65 to * - DE
40	53493-71	BAG HOLDER (cradle type), complete.....	67 to * - DE
41	53494-63	BAG HOLDER, complete .....	63 & 64 - DE
42	53494-65	BAG HOLDER (less cord) .....	65 & 66 - DE
43	53494-67	BAG HOLDER (less cord) .....	67 to 70 - DE
44	53495-63A	CORD CLAMP, bag holder .....	63 to 70 - DE
45	53496-67	BRACKET, bag holder .....	67 to * - DE
46	53498-71	SUPPORT BRACKET, bag holder (2) .....	71 to * - DE
47	67830-59	CHROME HOLE PLUG (2) .....	67 to 70 - DE

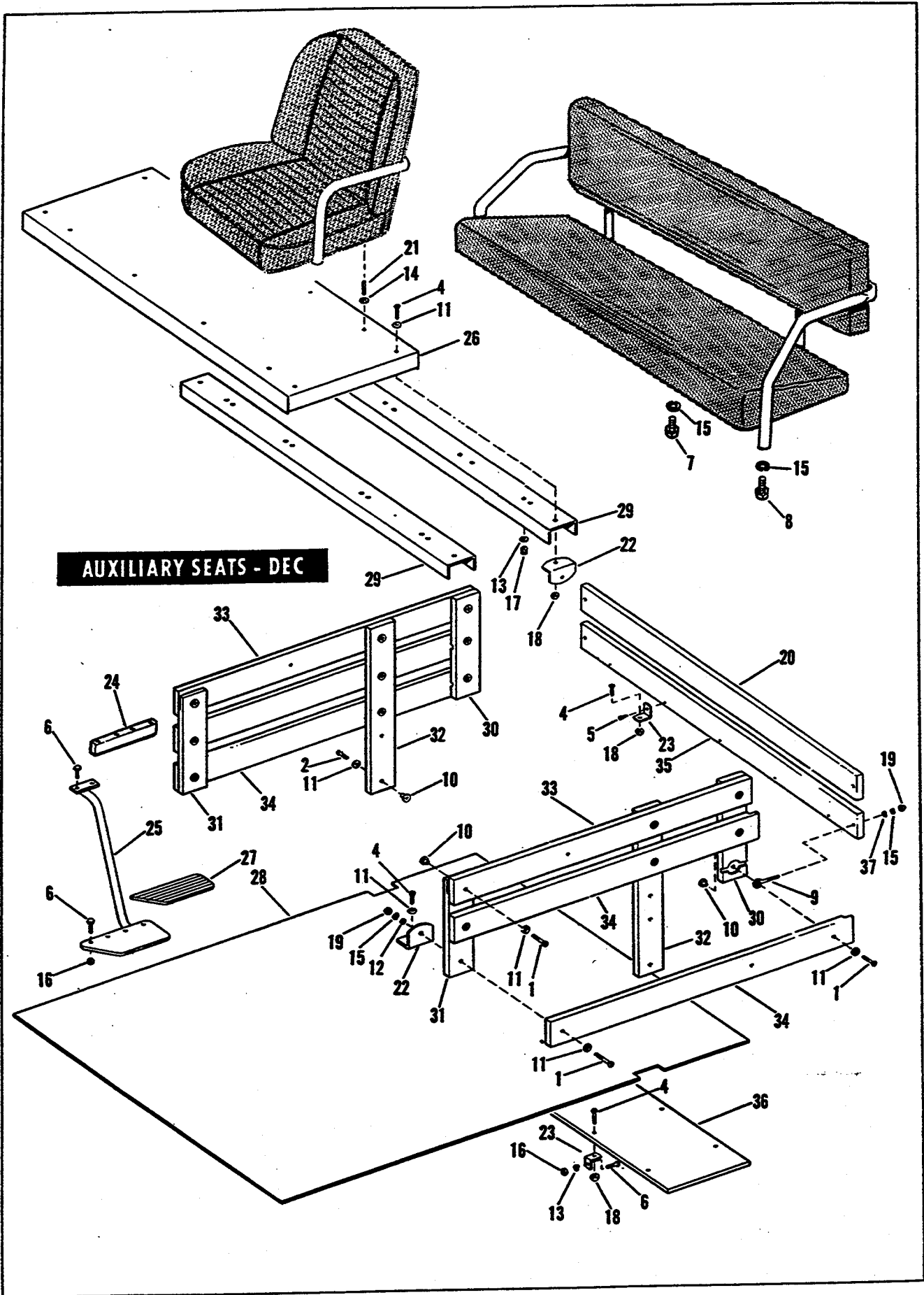
NOTE: Asterisk (\*) indicates part is used for latest model year shown on cover.



## SEATS

INDEX NO.	PART NO.	NAME	USED ON
1	1369	SCREW, 1/4-20 x 11/16 fil. hd. (4)	67 to * - DEC
2	1375	SCREW, 1/4-20 x 13/16 Phil. hd. (4)	67 to * - DEC
3	1761W	SCREW, No. 10-24 x 1/2 ctsk. hd. (8)	67 to * - DEC
4	2758	SCREW, 1/4-20 x 1/2 Phil. hd. (8)	67 to * - DEC
5	2761W	SCREW, 1/4-28 x 5/8 Phil. hd. (8)	63 to 66 - DE, DEF, DEC; 67 to * - DE
6	2766W	SCREW, 1/4-28 x 5/8 Phil. hd. (4)	65 & 66 - DE, DEF, DEC; 67 to 69 - DE
	2769W	SCREW, handrails, 5/16-24 x 5/8 Phil. hd. (4)	67 to * - DE
7	2843	SCREW, 5/16-24 x 1-3/16 rd. hd. (2)	67 to * - DEC
8	3002W	WOOD SCREW, No. 14 x 3/4 rd. hd. (4)	67 to * - DEC
9	3974HW	BOLT, 5/16-18 x 3/4 hex. hd. (2)	67 to * - DEC
11	5947W	SPACER, back rest support (2)	67 to * - DEC
	6107B	WASHER, 5/16 x 11/16 x 1/8 (4)	Late 70 to * - DE
12	6182W	WASHER, No. 10 x 7/16 x 1/32 (8)	67 to * - DEC
13	6255B	WASHER, seat stud, 1/4 x 3/4 x 1/32 (8)	63 to 66 - DE, DEF, DEC; 67 to * - DE
14	6261	WASHER, 1/4 x 3/4 x 1/8 (rubber) (10)	63 to * - DE, DEF
15	6319HW	WASHER, 5/16 x 11/16 x 1/16 (2)	70 to * - DE
16	7041	LOCKWASHER, 5/16 (6)	67 to * - DEC
16A	7127	LOCKWASHER, 5/16 internal tooth (4)	67 to * - DE
17	7230	LOCKWASHER, 1/4 ext. tooth (4)	67 to * - DEC
18	7624	LOCK NUT, No. 10-24 (8)	67 to * - DEC
19	7683	NUT, 1/4-28 Flexloc (4)	63 to * - DE, DEF, DEC
19A	7725	LOCK NUT, 5/16-24 (2)	70 to * - DE
20	31405-65A	BEVERAGE HOLDER KIT	63 to 69 - DE
	31405-70	BEVERAGE HOLDER KIT	70 to * - DE
21	31411-65	CUP, beverage holder (2)	63 to * - DE
21A	50275-67	PAD, seat shell (2)	Late 65 to * - DE
22	52033-66	HINGE, seat mounting	67 to * - DEC
23	52045-63	SEAT FRAME, left	63 to Early 65 - DE, DEF, DEC
	52046-63	SEAT FRAME, right	63 to Early 65 - DE, DEF, DEC
24	52049-63B	SEAT BACK PAD (white)	63 to 66 - DE, DEF, DEC; 67 to * - DE
25	52051-63C	SEAT CUSHION (white)	63 to 66 - DE, DEF, DEC; 67 to * - DE
	52054-65A	CANVAS SEAT COVER	63 to * - DE, DEF, DEC
26	52064-66A	SEAT BACK PAD (black)	66 - DEC
27	52064-67	SEAT BACK PAD	67 to * - DEC
28	52065-66A	SEAT CUSHION (black)	66 - DEC
29	52065-67	SEAT CUSHION	67 to * - DEC
30	52088-65A	SEAT SHELL	Late 65 & 66 - DE, DEC; 67 to * - DE
31	52088-67	PLATE, back pad	67 to * - DEC
32	52106-63	STUD, seat bottom, 1/4-28 x 1-3/4 (4)	63 to 66 - DE, DEF, DEC; 67 to Early 68 - DE
33	52107-63	STUD, seat back, 1/4-28 x 1-1/4	63 to 66 - DE, DEF, DEC; 67 to * - DE
	52134-63	SEAT CUSHION COVER	63 to * - DE, DEF, DEC
	52135-63	BACK CUSHION COVER	63 to * - DE, DEF, DEC
34	52190-67	SUPPORT, back rest	67 to * - DEC
35	52632-65A	HAND RAIL, left	Late 65 & 66 - DE, DEF, DEC; 67 to * - DE
36	52632-67	HANDRAIL, left	67 & 68 - DEC
	52632-69	HANDRAIL, left	69 to * - DEC
37	52633-65A	HAND RAIL, right	Late 65 & 66 - DE, DEF, DEC; 67 to * - DE
38	52633-67	HANDRAIL, right	67 & 68 - DEC
	52633-69	HANDRAIL, right	69 to * - DEC
39	64009-63	PAD, seat frame back (2 per seat)	63 to * - DE, DEF

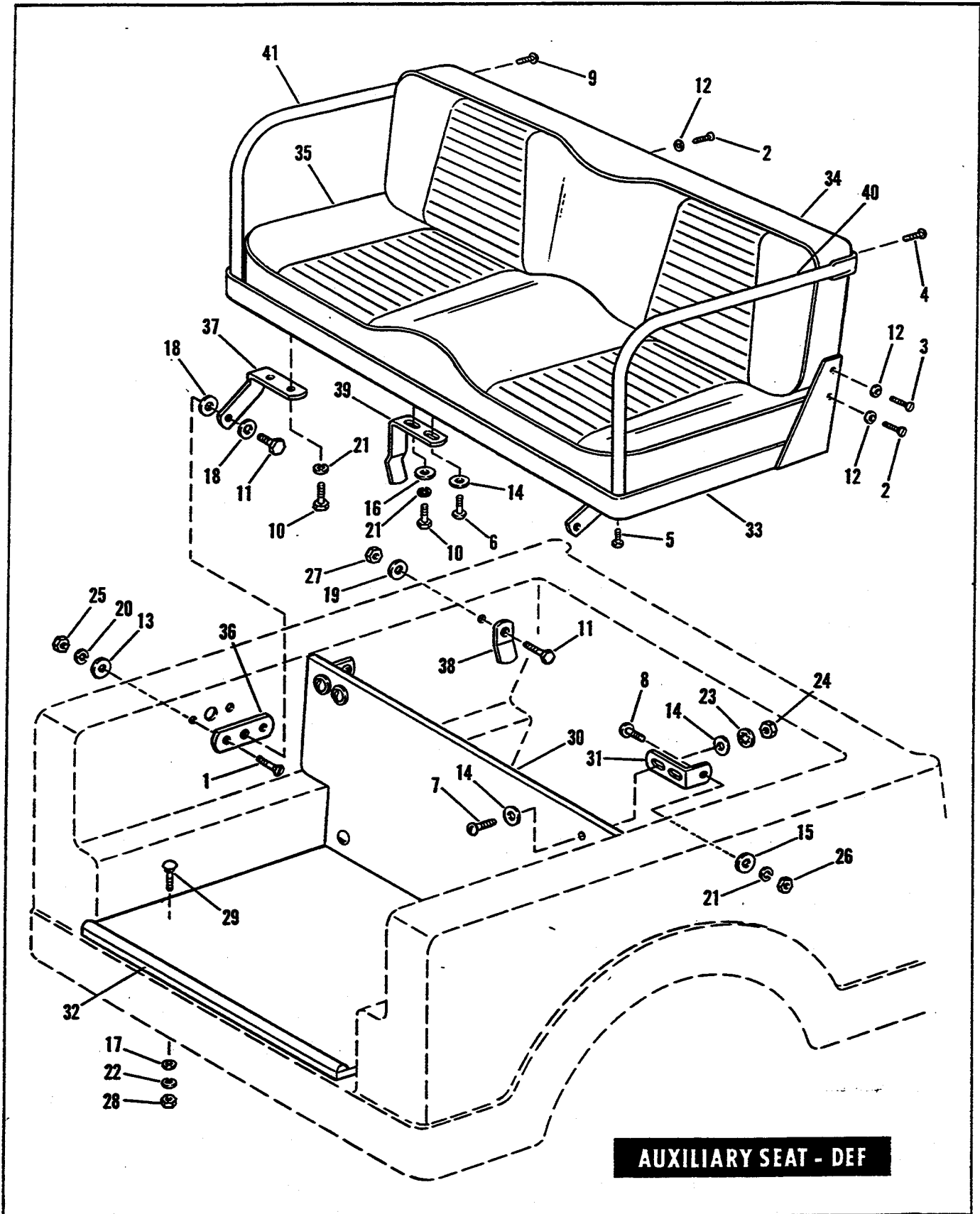
NOTE: Asterisk (\*) indicates part is used for latest model year shown on cover.



**AUXILIARY SEATS - DEC**

## AUXILIARY SEATS - MODEL DEC

INDEX NO.	PART NO.	NAME	USED ON
1	1078W	SCREW, 1/4-20 x 1-5/8 ctsk. hd. (4)	66 to 70 - DEC
2	2336	SCREW, 1/4-20 x 1-1/8 ctsk. hd. (4)	66 to 70 - DEC
3	2352	SCREW, 1/4-20 x 2 ctsk. hd. (2)	66 to 70 - DEC
4	2776W	SCREW, 1/4-20 x 3/4 ctsk. hd. (14)	66 to 70 - DEC
5	3002W	WOOD SCREW, No. 14 x 3/4 rd. hd. (9)	66 to 70 - DEC
6	3742W	SCREW, 1/4-28 x 5/8 hex. hd. (17)	66 to 70 - DEC
7	3787	BOLT, 1/4-20 x 3/4 hex. (6)	67 to 70 - DEC
8	3974HW	BOLT, seat support lower, 5/16-24 x 3/4 hex. (4)	67 to 70 - DEC
9	5482	EYE BOLT (4)	66 to 70 - DEC
10	5486W	TEE NUT, 1/4-20 (20)	66 - DEC
11	6102	CUP WASHER, 1/4 x 11/16 x 1/16 (12)	66 to 70 - DEC
12	6228W	WASHER, 1/4 x 1/2 x 1/16 (2)	66 to 70 - DEC
13	6255B	WASHER, 1/4 x 3/4 x 1/32 (4 per seat)	66 - DEC
14	6261	WASHER, 1/4 x 3/4 x 1/8 (rubber) (4 per seat)	66 - DEC
15	7036	LOCKWASHER, 1/4 (10)	66 to 70 - DEC
16	7682	LOCK NUT, 1/4-28 x 3/16 thick (13)	66 to 70 - DEC
17	7683	LOCK NUT, 1/4-28 x 5/16 thick (8)	66 to 70 - DEC
18	7686	LOCK NUT, 1/4-20 (14)	66 to 70 - DEC
19	7737W	ACORN NUT, 1/4-20 (4)	66 to 70 - DEC
20	50294-65	UPPER RAIL, tailgate	66 to 70 - DEC
21	52107-63	STUD, 1/4-28 x 1-1/4 (4 per seat)	66 to 70 - DEC
22	52145-66A	BRACKET, seat support channels (6)	66 to 70 - DEC
23	52147-66	BRACKET, floorboard mounting (10)	66 to 70 - DEC
24	52152-66	SPACER, step	Early 66 - DEC
25	52157-66	RIGHT STEP	66 to 70 - DEC
	52159-66	LEFT STEP	66 to 70 - DEC
26	52161-66	COVER, seat mounting channels	66 - DEC
27	52163-66	STEP PAD, right	66 to 70 - DEC
	52165-66	STEP PAD, left	66 to 70 - DEC
28	52167-66	FLOORBOARD COVERING	66 to 70 - DEC
29	52169-66	CHANNEL, seat mounting (2)	66 - DEC
	52169-67	CHANNEL, seat mounting (2)	67 to 70 - DEC
	52171-66B	SET OF AUXILIARY SEATS WITH FITTINGS	66 to 70 - DEC
30	52173-66	REAR CORNER POST (2)	66 to 70 - DEC
31	52175-66A	FRONT CORNER POST (2)	66 to 70 - DEC
32	52177-66	CENTER POST (2)	66 to 70 - DEC
33	52179-66A	SIDE RAIL, top (2)	66 to 70 - DEC
34	52181-66A	SIDE RAIL, middle and lower (4)	66 to 70 - DEC
35	52183-66	LOWER RAIL, tail gate	66 to 70 - DEC
36	52187-66	FLOORBOARD	66 to 70 - DEC
37	59845-47	WASHER, 9/32 x 3/4 x 1/4 (4)	66 to 70 - DEC

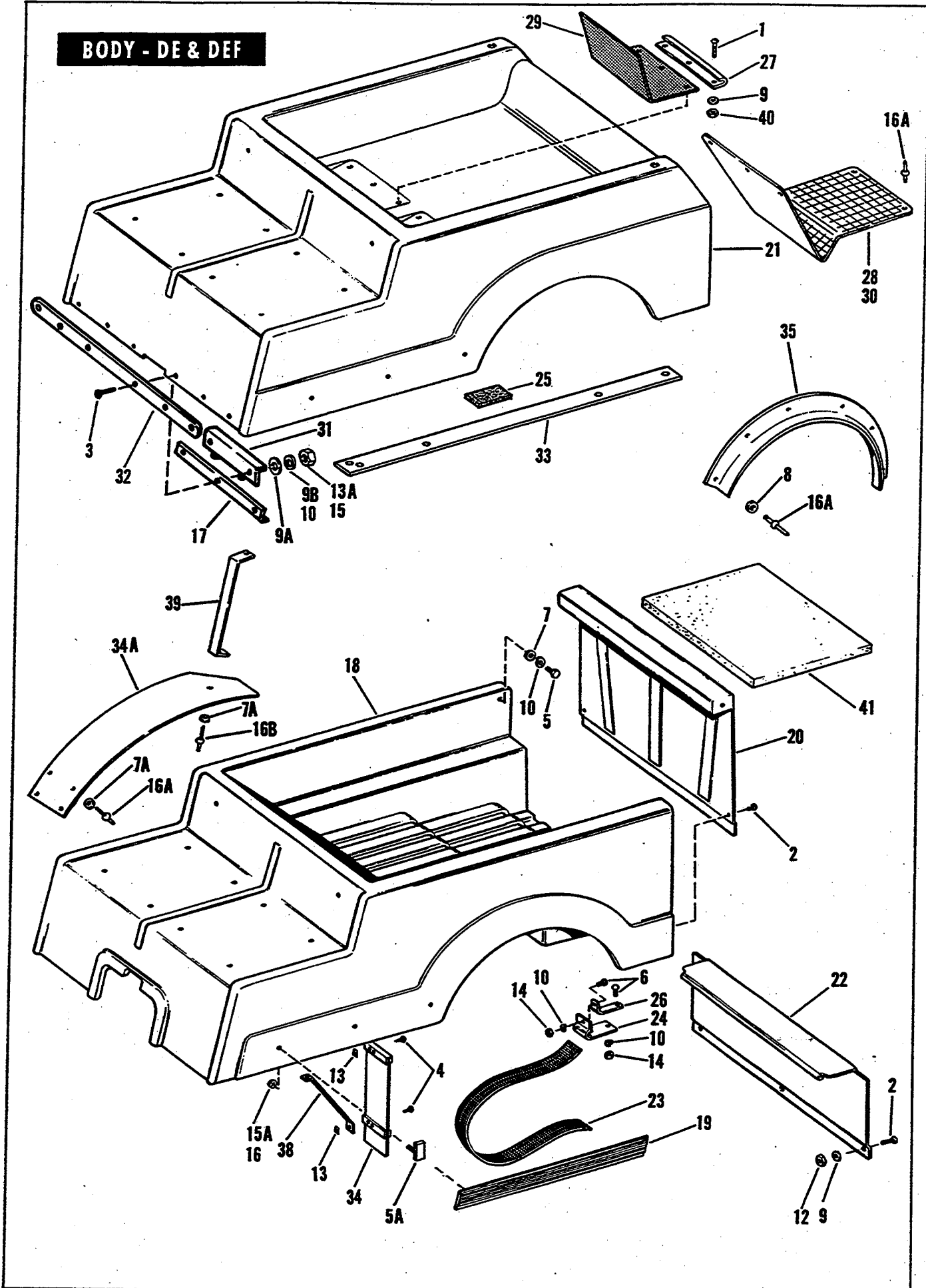


## AUXILIARY SEATS – MODEL DEF

INDEX NO.	PART NO.	NAME	USED ON
1	1762W	SCREW, No. 10-24 x 5/8 ctsk. hd. (4).....	65 – DEF
2	1872W	SCREW, 1/4-20 x 5/8 ctsk. hd. (5).....	65 – DEF
3	2336	SCREW, 1/4-20 x 1-1/8 ctsk. hd. (2).....	65 – DEF
4	2345	SCREW, 1/4-20 x 1-1/2 ctsk. hd. (4).....	65 – DEF
5	2404B	SCREW, 5/16-24 x 27/32 ctsk. hd. (2).....	65 – DEF
6	2630W	SCREW, No. 8-32 x 5/16 self-tapping rd. hd. (2).....	65 – DEF
7	2638W	SCREW, No. 8-32 5/8 rd. hd. (4).....	65 – DEF
8	2765W	SCREW, 1/4-20 x 5/8 rd. hd. (2).....	65 – DEF
9	2791W	SCREW, 1/4-20 x 1-1/4 rd. hd. (2).....	65 – DEF
10	3787	BOLT, 1/4-20 x 3/4 hex. hd. (2).....	65 – DEF
11	3974HW	BOLT, 5/16-24 x 3/4 hex hd. (3).....	65 – DEF
12	6102	CUP WASHER, 9/32 x 11/16 x 1/16 (6).....	65 – DEF
13	6187W	WASHER, No. 10 x 9/16 x 1/16 (4).....	65 – DEF
14	6189W	WASHER, No. 8 x 13/32 x 1/32 (9).....	65 – DEF
15	6240B	WASHER, 1/4 x 9/16 x 1/16 (2).....	65 – DEF
16	6245B	WASHER, 1/4 x 5/8 x 1/16 (2).....	65 – DEF
17	6319HW	WASHER, 5/16 x 11/16 x 1/16 (2).....	65 – DEF
18	6329W	WASHER, 5/16 x 7/8 x 3/32 (4).....	65 – DEF
19	6678W	WASHER, 5/16 x 1-1/2 x 3/16.....	65 – DEF
20	7025W	LOCKWASHER, No. 10 (4).....	65 – DEF
21	7036	LOCKWASHER, 1/4 (3).....	65 – DEF
22	7041	LOCKWASHER, 5/16 (2).....	65 – DEF
23	7115	LOCKWASHER, No. 8 int. tooth (4).....	65 – DEF
24	7608	NUT, No. 8-32 x 1/8 x 5/16 hex. (4).....	65 – DEF
25	7620W	NUT, No. 10-24 x 1/8 x 3/8 hex. (4).....	65 – DEF
26	7689W	NUT, 1/4-20 x 3/16 x 1/2 hex. (2).....	65 – DEF
27	7727	NUT, 5/16-24 Flexloc.....	65 – DEF
28	7748W	NUT, 5/16-18 x 17/64 x 1/2 hex. (2).....	65 – DEF
29	44912-63	CARRIAGE BOLT, footboard (6).....	65 – DEF
30	50281-64	PARTITION, body.....	65 – DEF
31	50282-64	BRACKET, partition (2).....	65 – DEF
32	50525-64	REAR FOOTBOARD.....	65 – DEF
	50540-65	COVERING, rear footboard.....	65 – DEF
33	52043-64	SEAT FRAME, auxiliary seat.....	65 – DEF
34	52052-64	SEAT BACK PAD, auxiliary seat.....	65 – DEF
35	52053-64	SEAT CUSHION, auxiliary seat.....	65 – DEF
36	52111-64	PLATE, seat support (2).....	65 – DEF
37	52113-64	BRACKET, seat pivot, right – auxiliary seat.....	65 – DEF
	52114-64	BRACKET, seat pivot, left – auxiliary seat.....	65 – DEF
38	52121-64	BODY LATCH.....	65 – DEF
39	52122-64	SEAT LATCH.....	65 – DEF
	52140-64	AUXILIARY REAR SEAT KIT.....	65 – DEF
40	52636-64	HAND RAIL, left, auxiliary seat.....	65 – DEF
41	52637-64	HAND RAIL, right, auxiliary seat.....	65 – DEF

NOTE: Asterisk (\*) indicates part is used for latest model year shown on cover.

# BODY - DE & DEF



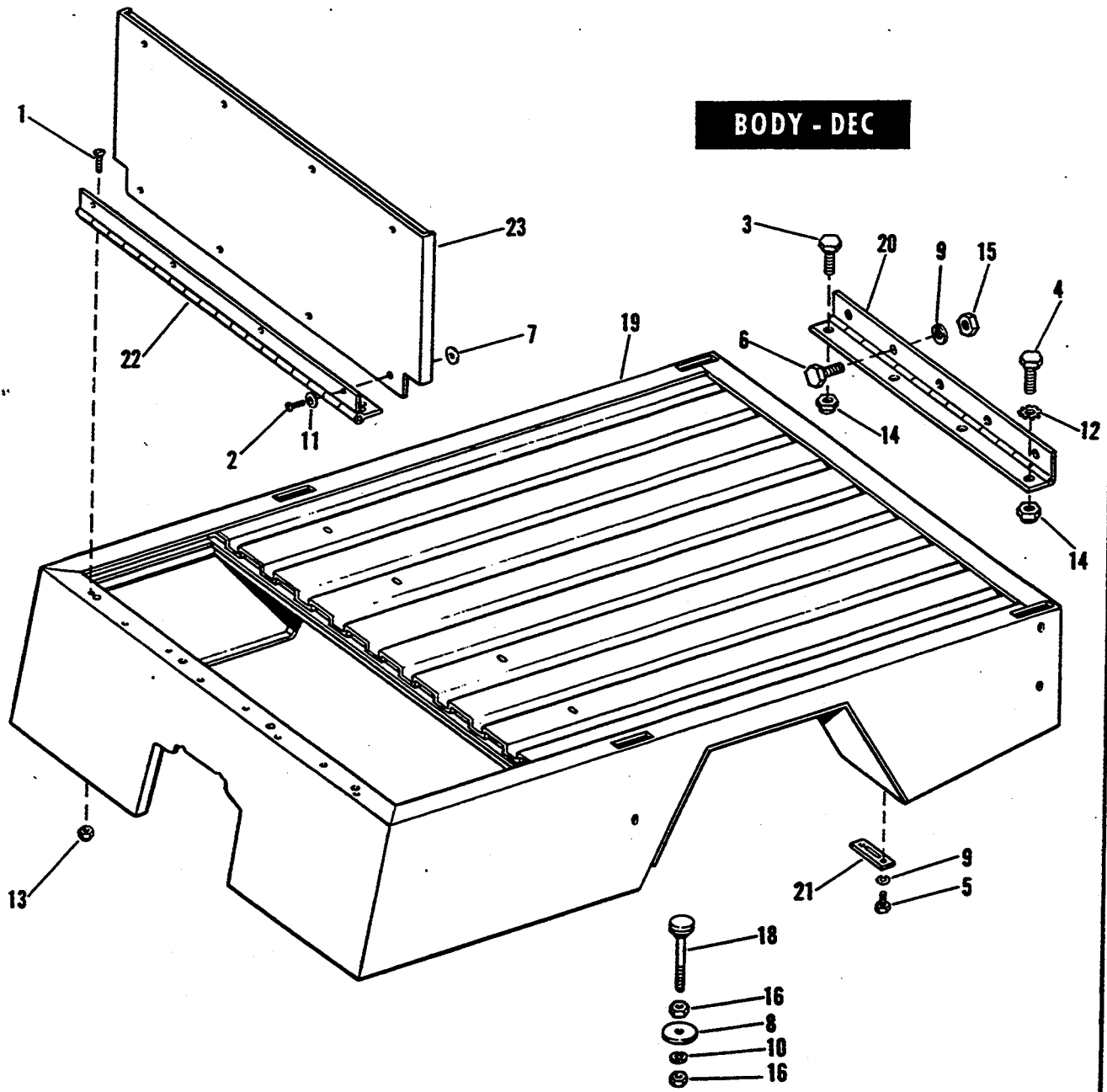


## BODY - DE, DEF

INDEX NO.	PART NO.	NAME	USED ON
1	1661B	SCREW, No. 6-32 x 1/2 ctsk. hd. (6)	65 to * - DE
2	1719W	SCREW, No. 8-32 x 5/8 Phil. hd. (11)	65 - DE, DEF
3	2437W	SCREW, 5/16-24 x 1 Phil. hd. (6)	67 to 70 - DE
4	2676C	SCREW, No. 10-24 x 5/8 self-tapping Phil. hd. (4)	63 to 66 - DE, DEF
5	2824W	SCREW, 5/16-24 x 9/16 fil. hd. (2)	65 - DEF
5A	3560W	TEE BOLT, body trim, No. 10-24 x 3/8 (6)	69 to * - DE
	4010	BOLT, 5/16-24 x 1-3/16 hex. hd. (2)	63 & 64 - DE
6	5425W	CARRIAGE BOLT, 5/16-18 x 11/16 (4)	63 to * - DE, DEF
7	6107B	WASHER, 5/16 x 11/16 x 1/8 (2)	63 & 64 - DE
7A	6182W	WASHER, No. 10 x 7/16 x 1/32 (12)	Late 70 to * - DE
8	6187W	WASHER, No. 10 x 9/16 x 1/16 (3)	69 to * - DE
9	6189W	WASHER, No. 8 x 13/32 x 1/32 (11)	63 to * - DE
9A	6242W	WASHER, 1/4 x 9/16 x 1/32 (6)	71 to * - DE
9B	7036	LOCKWASHER, 1/4 (6)	71 to * - DE
10	7041	LOCKWASHER, 5/16	63 to 70 - DE, DEF
12	7609W	LOCK NUT, No. 8-32 (5)	63 to 65 - DE
13	7613A	SPEED NUT, No. 8 (4)	63 to 66 - DE, DEF
13A	7688	NUT, 1/4-20 (6)	71 to * - DE
14	7748W	NUT, 5/16-18 x 17/64 x 1/2 hex. (6)	63 to 65 - DE, DEF
15	7753	NUT, 5/16-24 x 17/64 x 1/2 hex. (6)	67 to 70 - DE
15A	8104	NUT, tee bolt, No. 10-24 x 3/8 x 1/4 (6)	69 to * - DE
16	8126	SPEED NUT, No. 10 (6)	63 to 68 - DE, DEF
16A	8641B	POP RIVET (12)	Late 70 to * - DE
	8692	POP RIVET (10)	70 to * - DE
16B	8689	POP RIVET (3)	69 to * - DE
17	50241-67	BODY SUPPORT, front (2)	67 to * - DE
18	50246-63	BODY, less tailgate	63 to 65 - DE, DEF
19	50252-63	BODY TRIM, right	63 to 68 - DE, DEF
	50252-69	BODY TRIM, right	69 to * - DE
	50254-63	BODY TRIM, left	63 to 68 - DE, DEF
	50254-69	BODY TRIM, left	69 to * - DE
20	50263-63	TAIL GATE	63 & 64 - DE
21	50264-66	GOLF CAR BODY	66 - DE
	50264-67B	GOLF CAR BODY	67 to * - DE
22	50267-64A	TAIL GATE	65 - DE, DEF
23	50272-63	BODY STRAP (2)	63 to 65 - DE, DEF
24	50274-63	BODY STRAP BRACKET (2)	63 to 65 - DE, DEF
25	50275-67	PAD, reinforcement strap	67 to * - DE
26	50276-63	REINFORCEMENT, body strap bracket (2)	63 to 65 - DE, DEF
27	50278-65	MOLDING STRIP, bag insert covering (2)	65 & 66 - DE
28	50278-67A	COVERING, bag insert, right	67 to * - DE
29	50279-65	COVERING, bag insert (2)	65 & 66 - DE
30	50279-67A	COVERING, bag insert, left	67 to * - DE
	50280-63A	GOLF CAR CANVAS COVER	63 to * - DE
	50281-67	GOLF CAR CANVAS COVER (for models with steering wheel)	Late 67 to * - DE
31	50340-67	REINFORCEMENT BRACKET, body front	67 to * - DE
32	50345-67A	REINFORCEMENT STRIP, body front	67 to * - DE
33	50346-67A	REINFORCEMENT STRAP, body (2)	67 to * - DE
34	59598-63	FRONT SPLASH GUARD (2)	63 to 66 - DE, DEF
34A	59598-69	SPLASH GUARD	69 to * - DE
35	59607-64A	REAR SPLASH GUARD KIT	63 to * - DE, DEF
38	59794-63A	BRACKET, front splash guard (2)	63 to 66 - DE, DEF
39	59794-69	BRACKET, splash guard	69 to * - DE
40	60031-61	LOCK NUT, No. 6-32 (6)	65 to * - DE
41	84950-63	FLOOR PAD	63 & 64 - DE

NOTE: Asterisk (\*) indicates part is used for latest model year shown on cover.

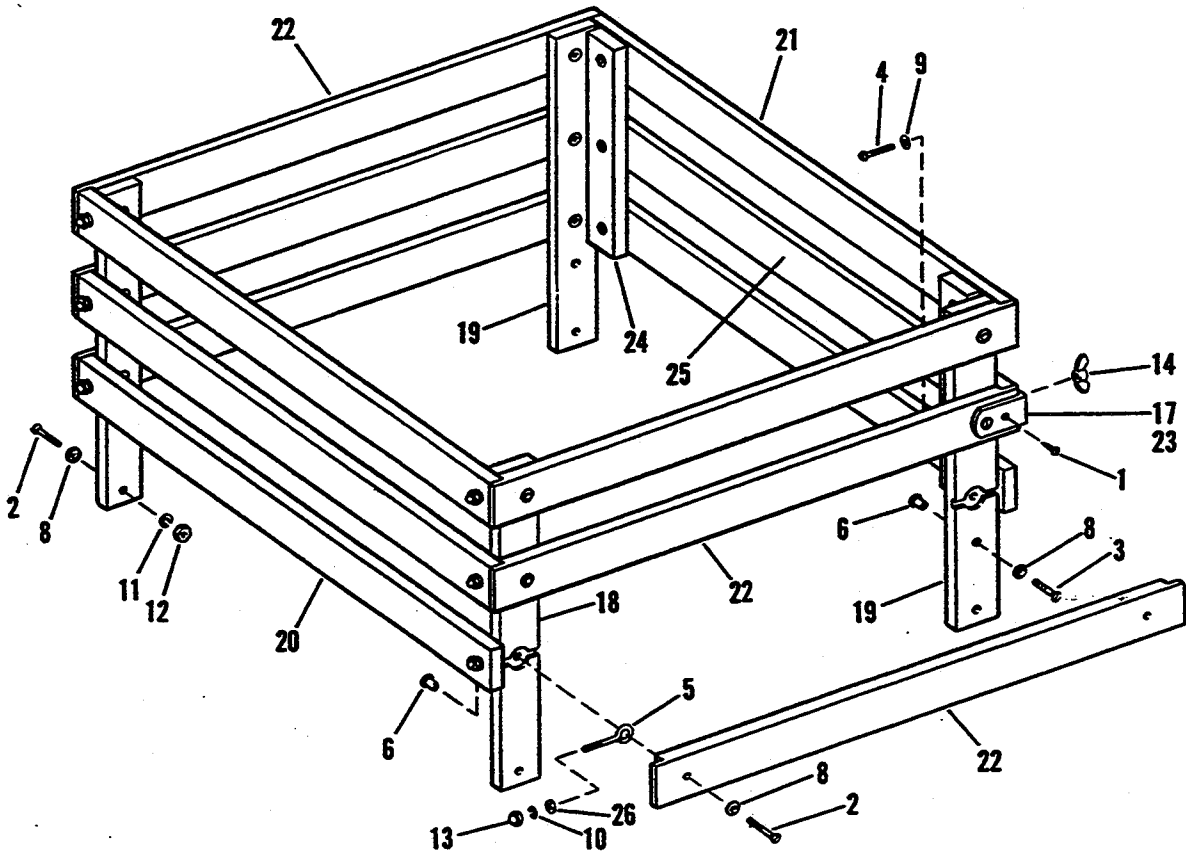
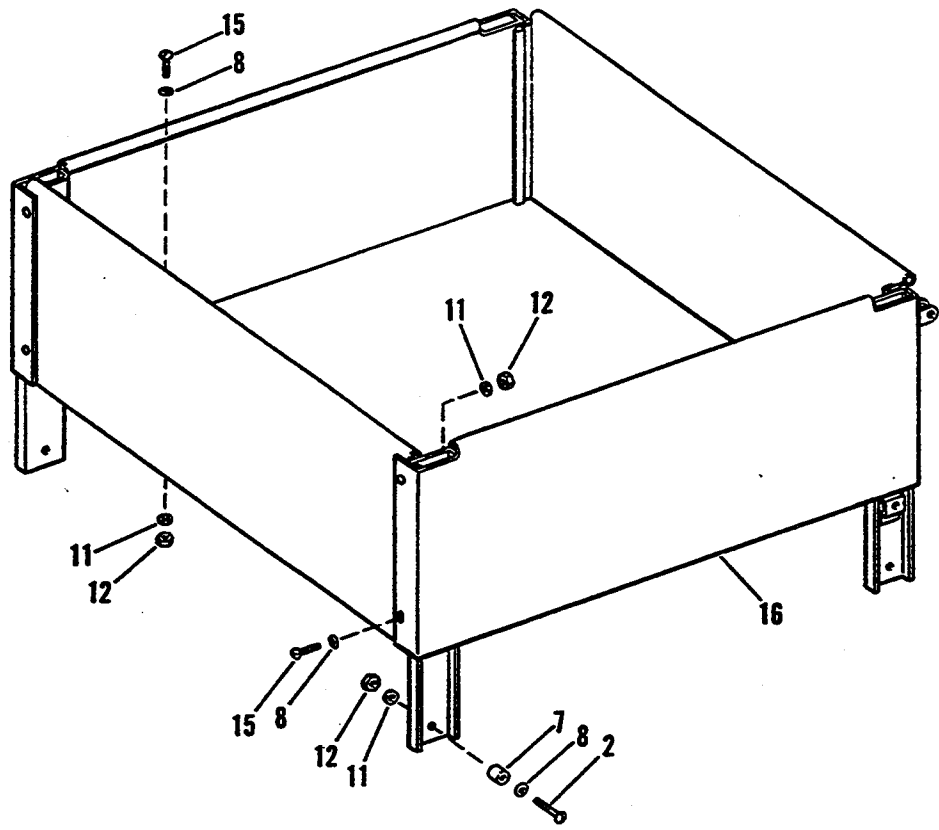
**BODY - DEC**



## BODY - DEC

INDEX NO.	PART NO.	NAME	USED ON
1	1761W	SCREW, No. 10-24 x 1/2 ctsk. hd. (8) .....	66 to 70 - DEC
2	2766W	SCREW, seat hinge, 1/4-28 x 5/8 Phil. hd. (4) .....	66 to 70 - DEC
3	3956	BOLT, hinge to frame, 5/16-24 x 9/16 hex. hd. (3) .....	65 to 70 - DEC
4	3986	BOLT, hinge to frame (ground strap) 5/16-24 x 7/8 hex. hd. ....	65 to 70 - DEC
5	3991	BOLT, 5/16-18 x 7/8 hex. hd. (4) .....	65 - DEC
6	4017	BOLT, hinge to body, 5/16-18 x 1 hex. hd. (5) .....	65 to 70 - DEC
7	6261	WASHER, 1/4 x 3/4 x 1/8 (rubber) (4) .....	66 to 70 - DEC
8	6605B	WASHER, 1/2 x 1-3/4 x 3/16 (2) .....	65 - DEC
	7030W	LOCKWASHER, seat hinge, 1/4 ext. tooth (4) .....	66 to 70 - DEC
9	7041	LOCKWASHER, body hinge, 5/16 (5) .....	65 to 70 - DEC
10	7060	LOCKWASHER, support stud, 1/2 (2) .....	65 - DEC
11	7230	LOCKWASHER, 1/4 external tooth (4) .....	66 to 70 - DEC
12	7232	LOCKWASHER, hinge ground strap, 5/16 ext. tooth .....	65 to 70 - DEC
13	7624	LOCK NUT, No. 10-24 (8) .....	66 to 70 - DEC
14	7727	NUT, hinge to frame, 5/16-24 Flexloc (4) .....	65 to 70 - DEC
15	7748W	NUT, hinge to body, 5/16-18 (5) .....	65 to 70 - DEC
16	7908	JAM NUT, 1/2-20 hex. (2) .....	65 - DEC
18	50199-65	BODY SUPPORT STUD, with pad (2) .....	65 - DEC
19	50242-66A	BODY FLATBED .....	65 to 68 - DEC
	50242-69	BODY FLATBED .....	69 & 70 - DEC
20	50250-65	BODY HINGE, flatbed .....	65 to 70 - DEC
21	50274-65	BODY STRAP BRACKET (2) .....	65 - DEC
22	52033-66	SEAT HINGE .....	66 to 70 - DEC
23	52037-66	PLATE, seat mounting .....	66 - DEC

NOTE: Asterisk (\*) indicates part is used for latest model year shown on cover.



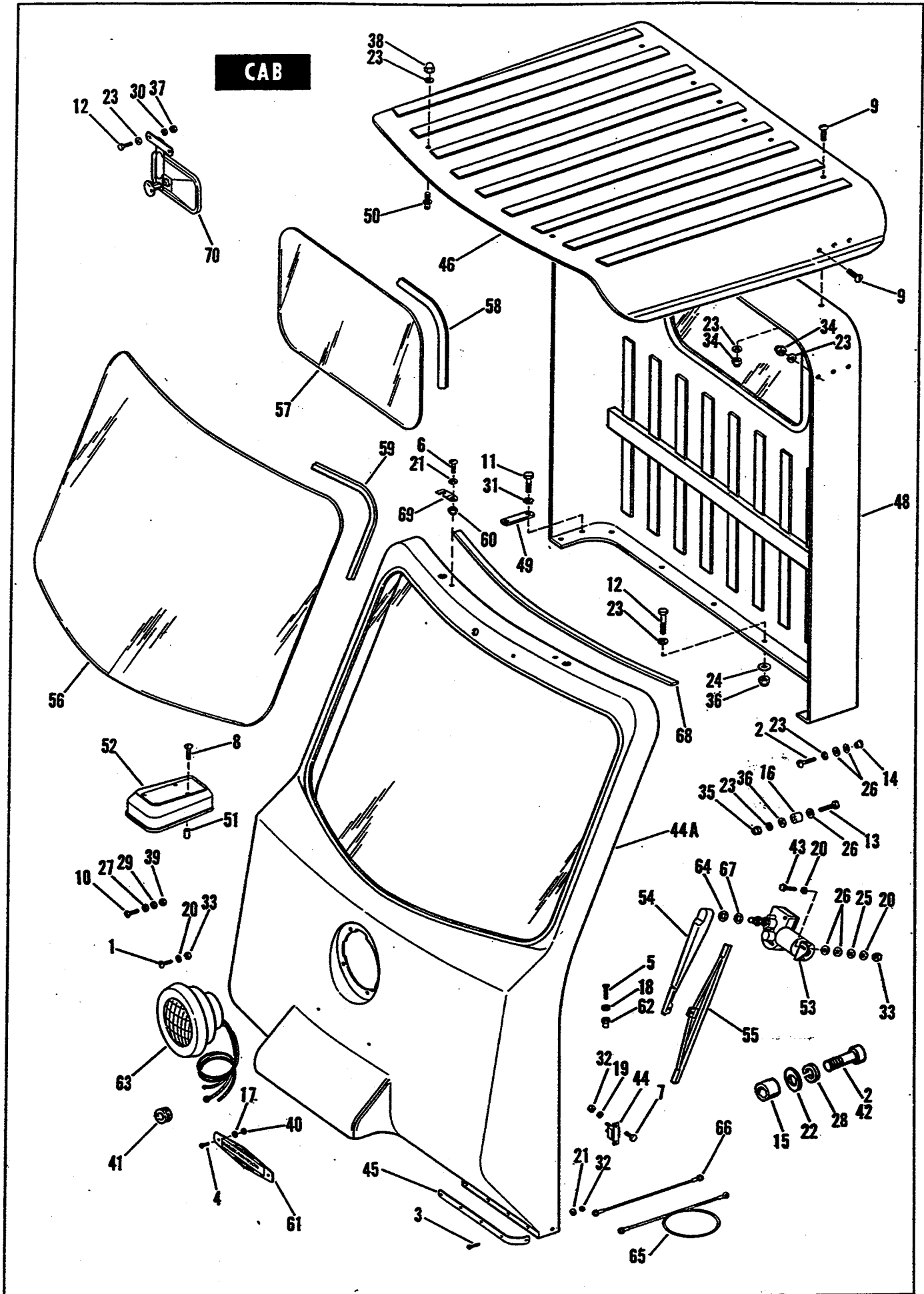
**STAKE BODY & CARGO BOX**

## STAKE BODY AND CARGO BOX

INDEX NO.	PART NO.	NAME	USED ON
1	1066W	WOOD SCREW, No. 8-15 x 3/4 rd. hd. (2)	65 to 70 - DEC
2	1078W	SCREW, 1/4-20 x 1-5/8 ctsk. hd. (6)	65 to 70 - DEC
3	2776W	SCREW, 1/4-20 x 7/8 ctsk. hd. (2)	65 to 70 - DEC
4	2791W	SCREW, 1/4-20 x 1/4 rd. hd. (2)	65 to 70 - DEC
5	5482	EYE BOLT, 1/4-20 (6)	65 to 70 - DEC
6	5486W	TEE NUT, 1/4-20 (22)	65 to 70 - DEC
7	5903	SPACER, cargo box mounting (4)	65 to 70 - DEC
8	6102	CUP WASHER (22)	65 to 70 - DEC
9	6228W	WASHER, 1/4 x 1/2 x 1/16 (2)	65 to 70 - DEC
10	7036	LOCKWASHER, 1/4 (6)	65 to 70 - DEC
11	7229W	LOCKWASHER, 1/4 int. - ext. tooth (6)	65 to 70 - DEC
12	7689W	NUT, 1/4-20 x 3/16 x 1/2 hex. (17)	65 to 70 - DEC
13	7737W	ACORN NUT, 1/4-20 (6)	65 to 70 - DEC
14	8119W	WING NUT, (2)	65 to 70 - DEC
15	29632-62	SCREW, 1/4-20 x 5/8 ctsk. hd. (17)	65 to 70 - DEC
16	50245-69	CARGO BOX AND FITTINGS	69 & 70 - DEC
	50247-65	CARGO BOX AND FITTINGS	65 to 68 - DEC
	50261-70	TAIL GATE, cargo box	65 to 68 - DEC
	50266-70	TAIL GATE, cargo box	69 & 70 - DEC
17	50289-65	TAIL GATE BRACKET, right	65 to 70 - DEC
	50290-65	STAKE BOX AND FITTINGS	65 to 68 - DEC
	50291-69	STAKE BOX AND FITTINGS	69 & 70 - DEC
18	50292-65	FRONT CORNER POST (2)	65 to 70 - DEC
19	50293-65	REAR CORNER POST (2)	65 to 70 - DEC
20	50294-65	FRONT RAIL (3)	65 to 70 - DEC
21	50295-65	TAIL GATE RAIL (2)	65 to 70 - DEC
22	50296-65	SIDE RAIL (6)	65 to 68 - DEC
	50296-69	SIDE RAIL (6)	69 & 70 - DEC
23	50297-65	TAIL GATE BRACKET, left	65 to 70 - DEC
24	50298-65	TAIL GATE SUPPORT (2)	65 to 70 - DEC
25	50299-65	TAIL GATE RAIL, center	65 to 70 - DEC
26	59845-47	SPACER, eye bolt (6)	65 to 70 - DEC

NOTE: Asterisk (\*) indicates part is used for latest model year shown on cover.

**CAB**



# CAB

INDEX NO.	PART NO.	NAME	USED ON
1	1202W	SCREW, No. 10-32 x 1/2 rd. hd. (4)	66 to 70 - DEC
2	1420	SCREW, 1/4-20 x 2 Phil. hd. (2)	66 to 70 - DEC
3	1719W	SCREW, No. 8-32 x 5/8 Phil. hd. (14)	66 to 70 - DEC
4	2065W	SCREW, No. 4-40 x 1/2 Phil. hd. (2)	66 to 70 - DEC
5	2336	SCREW, 1/4-20 x 1-1/8 ov. hd. (2)	66 to 70 - DEC
6	2586	SCREW, No. 6-32 x 1/2 self-tapping rd. hd. (3)	66 to 70 - DEC
7	2635W	SCREW, No. 8-32 x 1/2 rd. hd.	66 to 70 - DEC
8	2643	SCREW, No. 8-32 x 1-1/4 Phil. hd. (4)	66 to 70 - DEC
9	2766W	SCREW, 1/4-28 x 5/8 Phil. hd. (12)	66 to 70 - DEC
10	2836W	SCREW, fork housing, 5/16-18 x 7/8 Phil. hd.	66 to 70 - DEC
11	3728	BOLT, 1/4-20 x 1/2 hex. hd. (4)	66 to 70 - DEC
12	3787	BOLT, 1/4-20 x 3/4 hex. hd. (8)	66 to 70 - DEC
13	3874B	BOLT, 1/4-28 x 2-1/4 hex. hd. (2)	66 to 70 - DEC
	4380W	BOLT, fork turn stop, 3/8-24 x 2 hex. hd. (2)	66 to 70 - DEC
14	5486W	TEE NUT, stake body (2)	66 to 70 - DEC
15	5935	SPACER, back rest (8)	67 to 70 - DEC
16	5957W	SPACER, cargo box (2)	66 to 70 - DEC
17	6030W	WASHER, 7/64 x 3/8 x 1/32 (2)	66 to 70 - DEC
18	6102	CUP WASHER (2)	66 to 70 - DEC
19	6182W	WASHER, No. 10 x 7/16 x 1/32 (3)	66 to 70 - DEC
20	6187W	WASHER, No. 10 x 9/16 x 1/16	66 to 70 - DEC
21	6189W	WASHER, No. 8 x 13/32 x 1/32 (17)	66 to 70 - DEC
22	6228W	WASHER, 1/4 x 1/2 x 1/16 (8)	67 to 70 - DEC
23	6242W	WASHER, 1/4 x 9/16 x 1/32 (23)	66 to 70 - DEC
24	6253W	WASHER, 17/64 x 3/4 x 1/16 (4)	66 to 70 - DEC
25	6255B	WASHER, 1/4 x 3/4 x 1/32	66 to 70 - DEC
26	6261	WASHER, 1/4 x 3/4 x 1/8 (rubber) (4)	66 to 70 - DEC
27	6319HW	WASHER, 5/16 x 11/16 x 1/16	66 to 70 - DEC
28	7036	LOCKWASHER, 1/4 (8)	67 to 70 - DEC
29	7041	LOCKWASHER, 5/16	66 to 70 - DEC
30	7124	LOCKWASHER, 1/4 int. tooth (2)	66 to 70 - DEC
31	7230	LOCKWASHER, 1/4 ext. tooth (4)	66 to 70 - DEC
32	7609W	NUT, No. 8-32 Flexloc (15)	66 to 70 - DEC
33	7626W	LOCK NUT, No. 10-32 (5)	66 to 70 - DEC
34	7682	LOCK NUT, 1/4-28 (12)	66 to 70 - DEC
35	7683	LOCK NUT, 1/4-28 (2)	66 to 70 - DEC
36	7686	LOCK NUT, 1/4-20 (10)	66 to 70 - DEC
37	7688	NUT, 1/4-20 x 1/4 x 1/2 hex. (2)	66 to 70 - DEC
38	7704	ACORN NUT, 1/4-28 (2)	66 to 70 - DEC
39	7748W	NUT, 5/16-18 x 17/64 x 1/2 hex.	66 to 70 - DEC
	7789	NUT, fork turn stop, 3/8-24 x 1/4 x 9/16 hex. (2)	66 to 70 - DEC
40	8131W	LOCK NUT, No. 4-40 (2)	66 to 70 - DEC
	9958	CLAMP, choke cable	66 to 70 - DEC
41	11412	GROMMET, headlamp wires	66 to 70 - DEC
42	25451-47	SCREW, back rest, 1/4-20 x 3 Phil. hd. (8) (stake body)	67 to 70 - DEC
43	30460-32	SCREW, No. 10-32 x 31/32 hex. hd.	66 to 70 - DEC
44	32578-66	CIRCUIT BREAKER, wiper motor	66 to 70 - DEC
44A	50221-66A	FRONT CAB ASSEMBLY	66 to 70 - DEC
	50222-66A	FRONT PANEL ASSEMBLY, complete	66 to 70 - DEC
	50224-71	REINFORCEMENT, cab	66 to 70 - DEC
45	50304-66	REINFORCEMENT, front panel to floorboards (2)	66 to 70 - DEC
46	50320-66	ROOF PANEL	66 to 70 - DEC
48	50325-66A	BACK PANEL	66 to 70 - DEC
49	50328-66	REINFORCEMENT, back panel (2)	66 to 70 - DEC
50	50329-66	STUD, roof panel (3)	66 to 70 - DEC
	50350-66	ADAPTER KIT (to mount cab on 1965 Model DEC)	65 - DEC
51	57029-63	SPACER (2)	66 - DEC
52	57032-66	ACCESSORY PANEL	66 - DEC
53	57980-66	MOTOR, windshield wiper	66 to 70 - DEC
54	57981-66	ARM, windshield wiper	66 to 70 - DEC
55	57982-66	BLADE, windshield wiper	66 to 70 - DEC
56	57992-66	WINDSHIELD	66 to 70 - DEC
57	58016-66	REAR WINDOW	66 to 70 - DEC
58	58055-66	CUSHION STRIP, rear window	66 to 70 - DEC
59	58056-66	CUSHION STRIP, windshield	66 to 70 - DEC
60	60031-61	LOCK NUT, No. 6-32 (2)	66 to 70 - DEC
61	61771-66A	NAME PLATE	66 to 70 - DEC

NOTE: Asterisk (\*) indicates part is used for latest model year shown on cover.

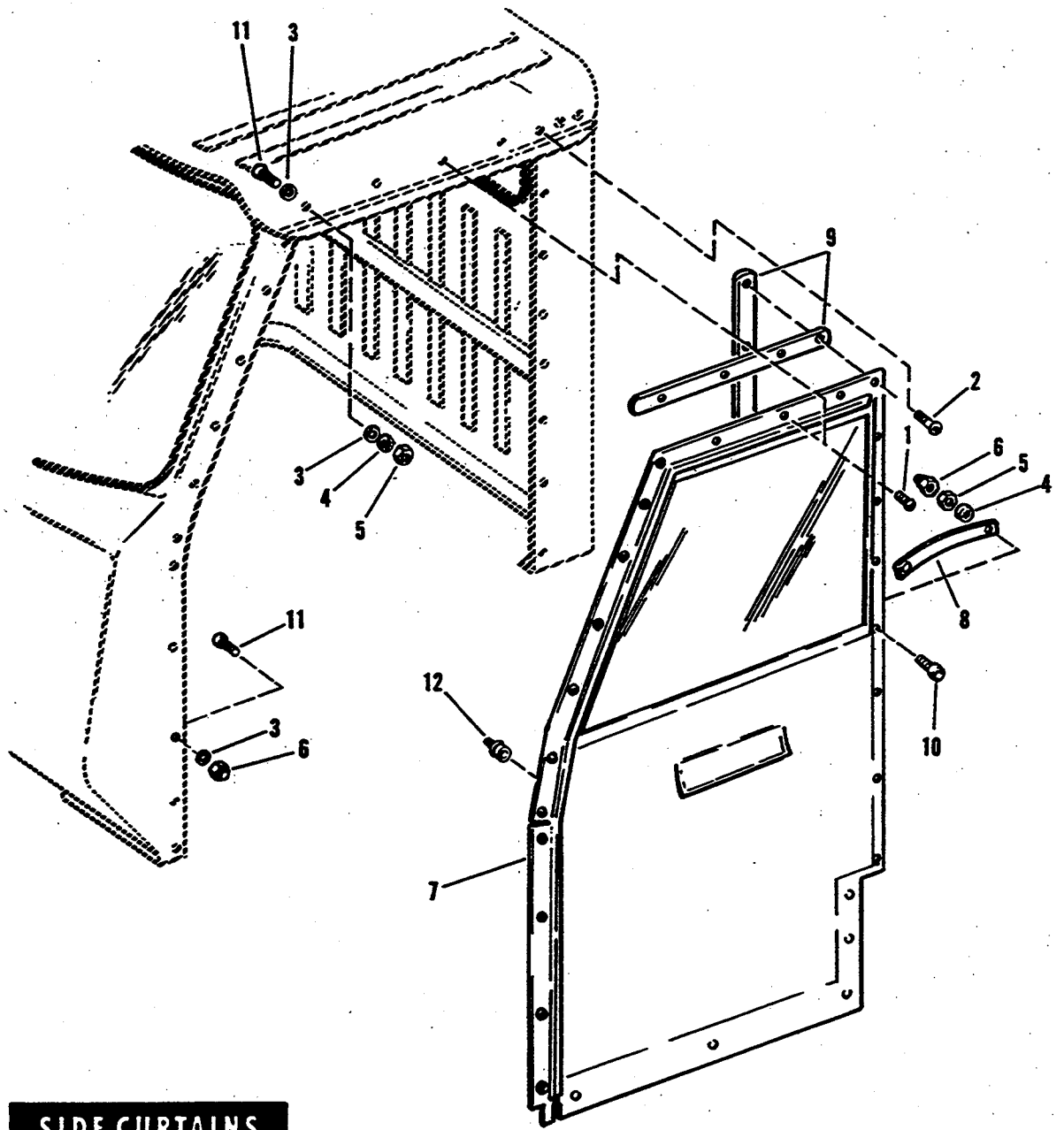
## CAB (CONT'D)

INDEX NO.	PART NO.	NAME	USED ON
62	64511-63	WELL NUT, fork housing (2) .....	66 to 70 - DEC
63	67707-66A	HEADLAMP ASSEMBLY .....	66 to 70 - DEC
64	67826-55	RUBBER WASHER .....	66 to 70 - DEC
65	70231-66	WIRE, headlamp switch to key switch .....	66 to 70 - DEC
66	70234-66A	WIRE, key switch to circuit breaker .....	66 to 70 - DEC
67	83975-37A	WASHER, 5/8 x 1-1/2 x 1/16 .....	66 to 70 - DEC
68	90937-64	CUSHION STRIP, roof panel .....	66 to 70 - DEC
69	90952-63	LOCKING CLIP, left .....	66 to 70 - DEC
	90953-63	LOCKING CLIP, right .....	66 to 70 - DEC
70	91871-66	REAR VIEW MIRROR, with fittings .....	66 to 70 - DEC

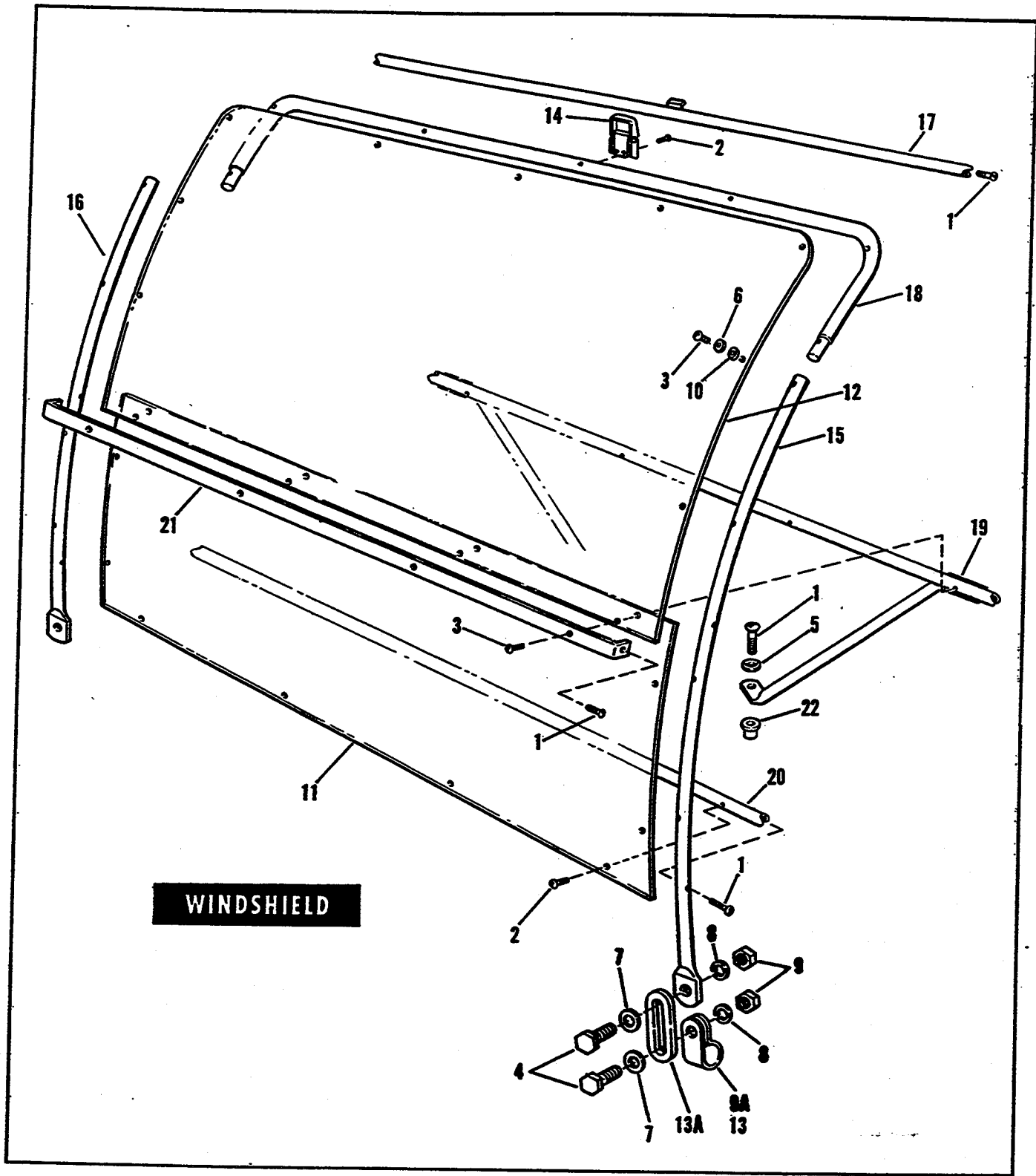
## SIDE CURTAINS

1	2632W	SCREW, side curtains, No. 8-32 x 7/16 rd. hd. (18) .....	66 to 70 - DEC
2	2772	SCREW, side curtains, 1/4-28 x 3/4 rd. hd. (2) .....	66 to 70 - DEC
3	6165W	WASHER, 3/16 x 3/8 x 1/32 (24) .....	66 to 70 - DEC
4	7115	LOCKWASHER, No. 8 int. tooth (4) .....	66 to 70 - DEC
5	7608	NUT, No. 8-32 x 5/16 hex. (4) .....	66 to 70 - DEC
6	7631W	STOP NUT, No. 8-32 (40) .....	66 to 70 - DEC
	58123-66	SIDE CURTAINS, with fittings .....	66 to 70 - DEC
7	58125-66	SIDE CURTAIN, left .....	66 to 70 - DEC
	58126-66	SIDE CURTAIN, right .....	66 to 70 - DEC
8	58128-66	FOLD-BACK STRAP, side curtain (2) .....	66 to 70 - DEC
9	58130-66	REINFORCEMENT STRAP, side curtains (6) .....	66 to 70 - DEC
10	58131-66	SNAP STUD, side curtains, 5/8 in. (2) .....	66 to 70 - DEC
11	58132-66	SNAP STUD, side curtains, 3/8 in. (22) .....	66 to 70 - DEC
12	89424-63	SNAP STUD, self-tapping (8) .....	66 to 70 - DEC



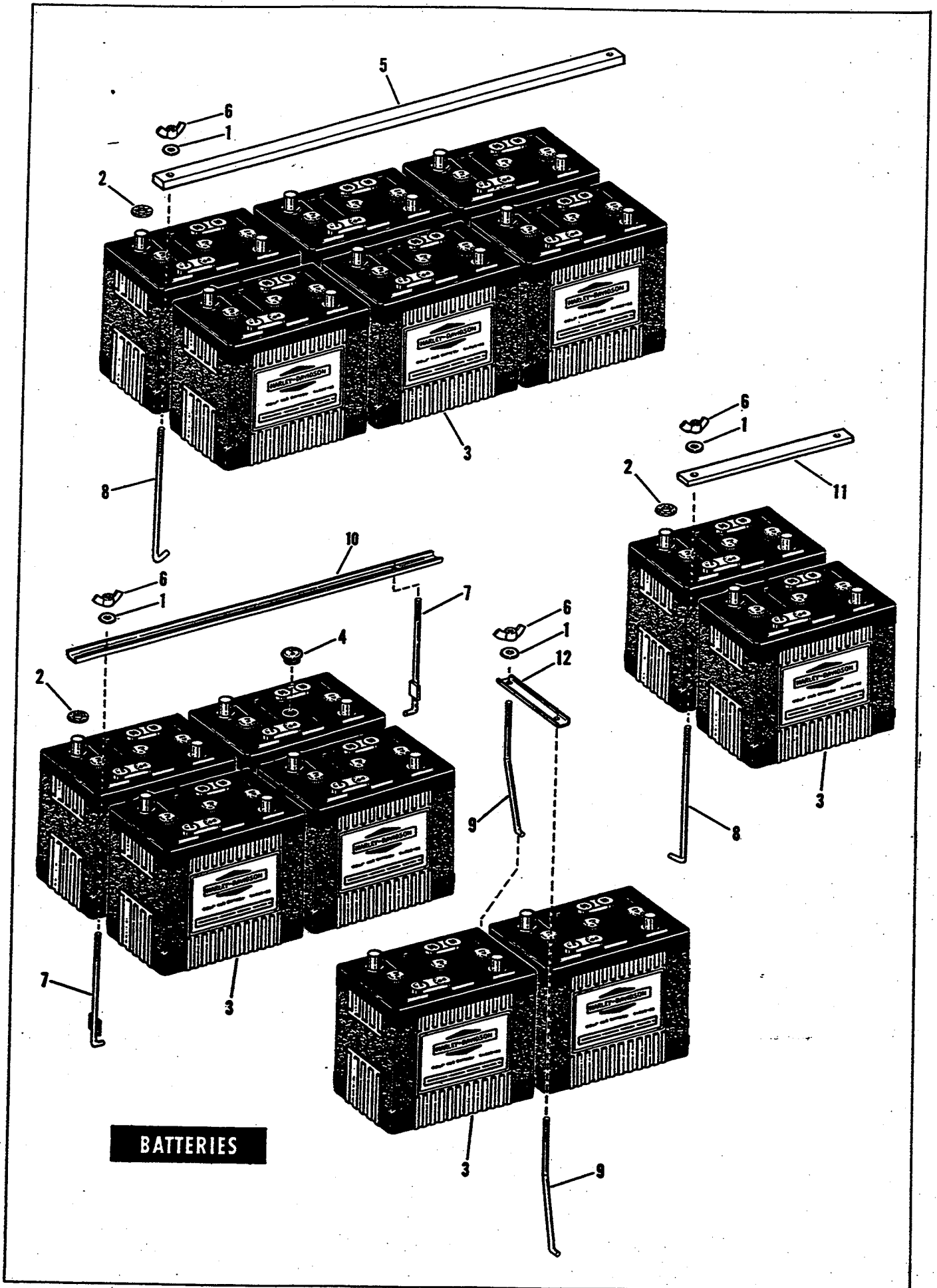


**SIDE CURTAINS**



# WINDSHIELD

INDEX NO.	PART NO.	NAME	USED ON
1	2345	SCREW, 1/4-20 x 1-1/2 ctsk. hd. (2)	66 to * - DE
2	2634W	SCREW, No. 8-32 x 1/2 self-tapping rd. hd. (21)	66 to * - DE
3	2635W	SCREW, No. 8-32 x 1/2 rd. hd. (2)	66 to * - DE
4	3974HW	BOLT, 5/16-24 x 3/4 hex. hd. (4)	66 to * - DE
5	6102	CUP WASHER (2)	66 to * - DE
6	6189W	WASHER, grommets, No. 8 x 13/32 x 1/32 thick (17)	66 to * - DE
7	6316W	WASHER, 5/16 x 5/8 x 1/16 (4)	66 to * - DE
8	7041	LOCKWASHER, 5/16 (4)	66 to * - DE
9	7753	NUT, 5/16-24 x 17/64 x 1/2 hex. (4)	66 to * - DE
9A	10021	BUMPER CLAMP (2)	70 to * - DE
10	30227-47	GROMMET (17)	66 to * - DE
	58007-66A	WINDSHIELD, complete with fittings	66 to * - DE
11	58014-66	LOWER WINDOW	66 to * - DE
12	58015-66	UPPER WINDOW	66 to * - DE
13	58048-66	BUMPER CLAMP (2)	66 to 69 - DE
13A	58061-69	BRACKET (2)	66 to * - DE
14	58066-66	LOCK	66 to * - DE
15	58070-66	SIDE SUPPORT, left	66 to * - DE
16	58071-66	SIDE SUPPORT, right	66 to * - DE
17	58072-66	UPPER CROSS-BAR	66 to * - DE
18	58073-66	UPPER SUPPORT	66 to * - DE
19	58110-66	MAIN SUPPORT	66 to * - DE
20	58111-66	LOWER CROSS-BAR	66 to * - DE
21	58112-66	CROSS STRIP	66 to * - DE
22	64511-63	WELL NUT (2)	66 to * - DE

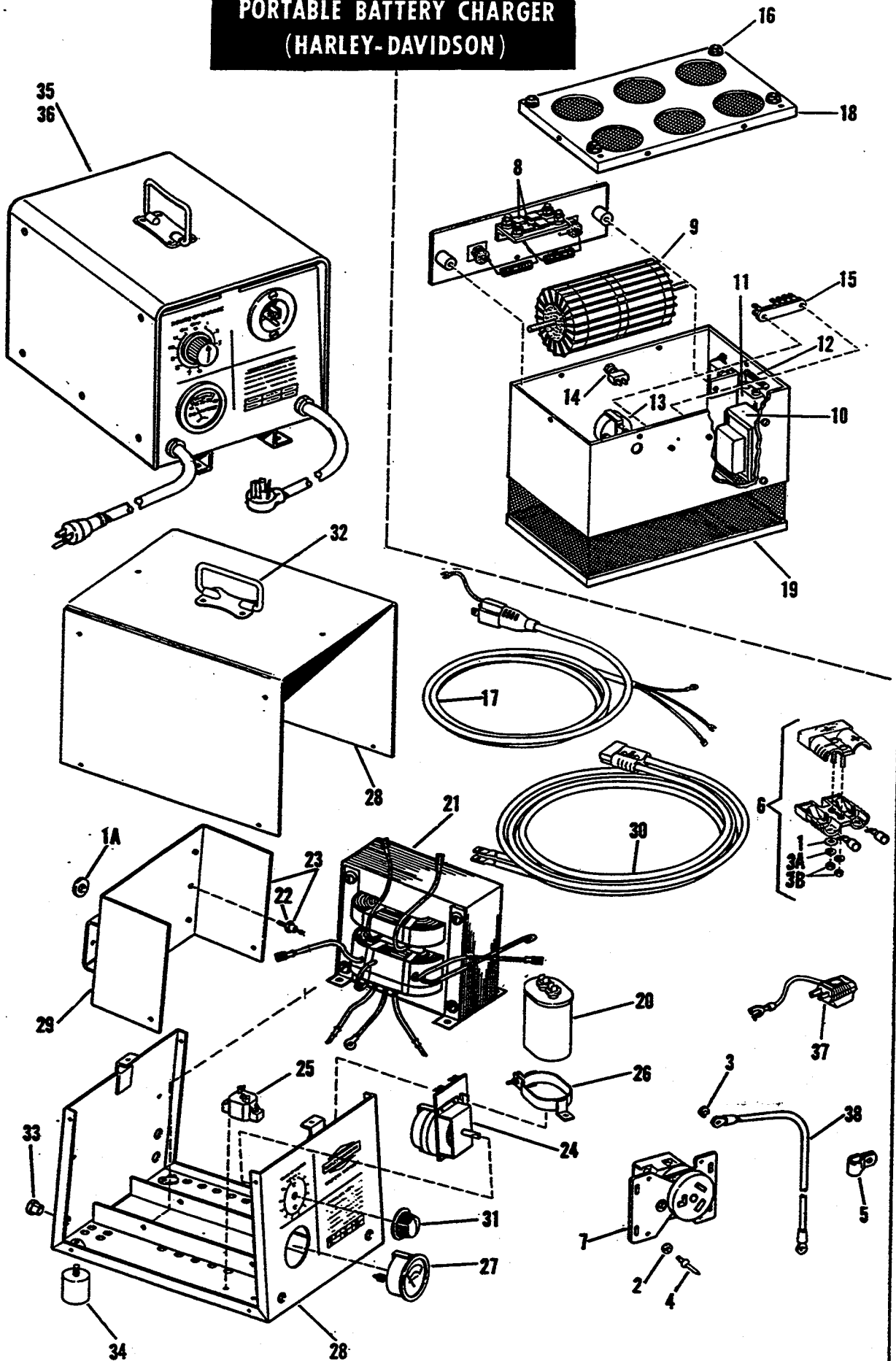


# BATTERIES

INDEX NO.	PART NO.	NAME	USED ON
1	6253W	WASHER, 1/4 x 3/4 x 1/16 (4) .....	63 to * - DE, DEF, DEC
2	43733-47	FELT WASHER (12) .....	63 to * - DE, DEF, DEC
3	66010-63	BATTERY (wet) (6) .....	63 to * - DE, DEF, DEC
4	66017-63	FILLER CAP (Globe Union battery) .....	63 to 66 - DE, DEF, DEC
	66017-67	FILLER CAP (Gould-National battery) .....	67 to * - DE, DEC
5	66317-66	BATTERY HOLD-DOWN BAR .....	66 to 68 - DEC
6	66387-64	WING NUT, hold down rods (4) .....	63 to * - DE, DEF, DEC
7	66453-63	HOLD DOWN ROD, front (2) .....	63 to 65 - DE, DEF, DEC
8	66453-66	HOLD DOWN ROD (DE-8; DEC-2) .....	66 to 68 - DEC; 66 to * - DE
9	66456-63	HOLD DOWN ROD, rear (2 or 4) .....	63 to 65 - DE, DEF, DEC; 69 & 70 - DEC
10	66462-63A	HOLD DOWN BAR, front (1 or 2) .....	63 to 65 - DE, DEF, DEC; 69 & 70 - DEC
11	66462-66A	HOLD DOWN BAR (4) .....	66 to * - DE
12	66463-63	HOLD DOWN BAR, rear .....	63 to 65 - DE, DEF, DEC

NOTE: Asterisk (\*) indicates part is used for latest model year shown on cover.

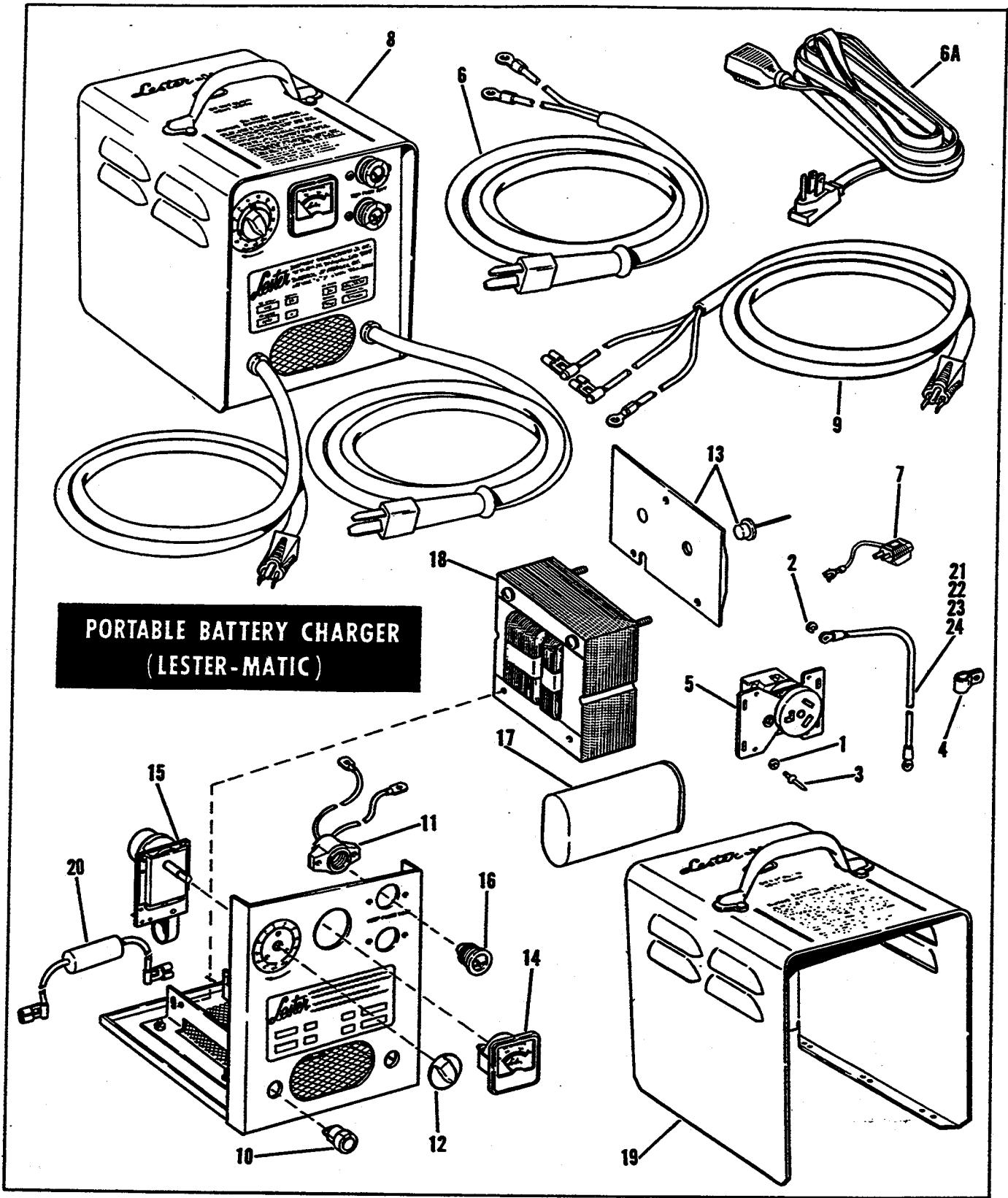
# PORTABLE BATTERY CHARGER (HARLEY-DAVIDSON)



## PORTABLE BATTERY CHARGER (HARLEY-DAVIDSON)

INDEX NO.	PART NO.	NAME	USED ON
1	6075W	WASHER, No. 6 x 5/16 x 1/32 (2)	63 to 68 - DE, DEF, DEC
1A	6180	INSULATING WASHER, heat sink (4)	70 to * - DE, DEC
2	6189W	WASHER, No. 8 (4)	69 to * - DE, DEC
3	7015	LOCKWASHER, No. 8 (2)	69 to * - DE, DEC
3A	7112	LOCKWASHER, No. 6 int. tooth (2)	63 to 68 - DE, DEF, DEC
3B	7591W	NUT, No. 6-32 x 3/32 x 1/4 hex. (2)	63 to 68 - DE, DEF, DEC
4	8690	POP RIVET, charger plug receptacle (4)	69 to * - DE, DEC
5	38712-68	CLAMP, diode to receptacle cable (2)	69 to * - DE, DEC
6	66031-63	CHARGER CABLE PLUG	63 to 68 - DE, DEF, DEC
7	66032-69	CHARGER PLUG RECEPTACLE (For D.C. cable)	69 to * - DE, DEC
8	66035-63	FUSE (2)	63 & 64 - DE, DEF, DEC
9	66036-63A	POWER TRANSFORMER	63 & 64 - DE, DEF, DEC
10	66037-63	REACTOR (used on 66492-63 & 66492-63A chargers)	63 & 64 - DE, DEF
11	66038-63	CAPACITOR - .5 mfd.	63 & 64 - DE, DEF, DEC
12	66039-63	RESISTOR	63 & 64 - DE, DEF, DEC
	66039-64	RESISTOR, toggle switch	Late 64 - DE, DEF, DEC
13	66040-63	AMMETER	63 & 64 - DE, DEF, DEC
14	66041-63	TOGGLE SWITCH	63 & 64 - DE, DEF, DEC
15	66042-63	TERMINAL STRIP	63 & 64 - DE, DEF, DEC
16	66044-63	RUBBER FOOT (4)	63 & 64 - DE, DEF, DEC
17	66046-63	A. C. CABLE, charger to outlet	63 to * - DE, DEF, DEC
18	66047-63	CHARGER BASE	63 & 64 - DE, DEF, DEC
19	66048-63	CHARGER ENCLOSURE	63 & 64 - DE, DEF, DEC
	66051-63	CAPACITOR - .25 mfd.	63 & 64 - DE, DEF
	66052-63	CAPACITOR - 1.0 mfd.	63 & 64 - DE, DEF
	66053-63	CAPACITOR - 4.0 mfd.	63 & 64 - DE, DEF, DEC
20	66053-65	CAPACITOR - 4.0 mfd. (used on 66492-63C)	Late 65 to * - DE, DEC
	66054-63	CAPACITOR - 6.0 mfd.	63 & 64 - DE, DEF
21	66055-65A	TRANSFORMER (used on 66492-63C)	65 to * - DE, DEF, DEC
22	66056-65	DIODE (2) (used on 66492-63C)	65 to 68 - DE, DEF, DEC
23	66056-70	HEAT SINK AND DIODE ASSEMBLY	69 to * - DE, DEC
24	66057-65	TIMER - 12 hr. (used on 66492-63C)	65 to * - DE, DEF, DEC
25	66058-65	CIRCUIT BREAKER - 40 amp. (used on 66492-63C)	65 to * - DE, DEF, DEC
26	66059-65	BRACKET, capacitor (used on 66492-63C)	65 to * - DE, DEF, DEC
27	66060-65	AMMETER - 0 to 40 amp. (used on 66492-63C)	65 to * - DE, DEF, DEC
28	66061-65	CHARGER ENCLOSURE (used on 66492-63C)	65 to 68 - DE, DEF, DEC
29	66062-65	HEAT SINK (used on 66492-63C)	65 to 68 - DE, DEF, DEC
30	66063-65	D. C. CABLE, charger to batteries (used on 66492-63C)	65 to 68 - DE, DEF, DEC
31	66064-65	KNOB (used on 66492-63C)	65 to * - DE, DEF, DEC
32	66065-65	HANDLE (used on 66492-63C)	65 to * - DE, DEF, DEC
33	66066-65	BUSHING, strain relief (3) (used on 66492-63C)	65 to * - DE, DEF, DEC
34	66068-65	RUBBER FOOT (4) (used on 66492-63C)	65 to 68 - DE, DEF, DEC
35	66477-69A	BATTERY CHARGER, portable 36 V. (Harley-Davidson)	69 to * - DE, DEC
36	66492-63C	BATTERY CHARGER, portable 36 V. (Harley-Davidson)	63 to 68 - DE, DEF, DEC
	66493-67	A. C. EXTENSION CORD (three prong)	69 to * - DE, DEC
37	66495-63	ADAPTER PLUG, charger cable	63 to * - DE, DEF, DEC
	66498-63	TIMER KIT, 12 hr. (for 66492-63A & 66492-63B)	63 & 64 - DE, DEF, DEC
38	70406-67	CABLE, charger plug (red)	67 & 68 - DE
	70407-67	CABLE, charger plug (black)	67 & 68 - DE
	70350-69	CABLE, inside diode to charger plug (red)	69 & 70 - DEC
	70351-69	CABLE, outside diode to charger plug (black)	69 & 70 - DEC
	70406-69	CABLE, inside diode to charger plug (red)	69 to * - DE
	70407-69	CABLE, outside diode to charger plug (black)	69 to * - DE

NOTE: Asterisk (\*) indicates part is used for latest model year shown on cover.



**PORTABLE BATTERY CHARGER  
(LESTER-MATIC)**



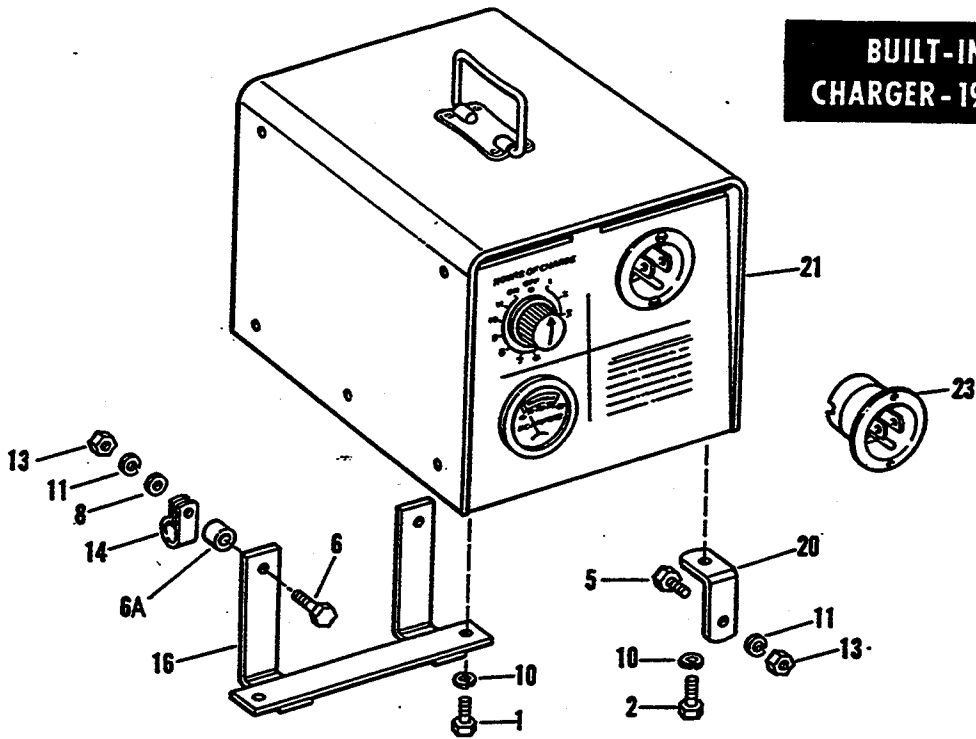
# PORTABLE BATTERY CHARGER (LESTER-MATIC)

INDEX NO.	PART NO.	NAME	USED ON
1	6189W	WASHER, No. 8 (4) .....	70 to * - DE, DEC
2	7015	LOCKWASHER, No. 8 (2) .....	70 to * - DE, DEC
3	8690	POP RIVET (4) .....	70 to * - DE, DEC
4	38712-68	CLAMP, diode to receptacle cable (2) .....	70 to * - DE, DEC
5	66032-69	CHARGER PLUG RECEPTACLE (for D. C. cable) .....	70 to * - DE, DEC
6	66063-69A	D. C. CABLE AND PLUG, battery charger (two prong) .....	70 to * - DE, DEC
6A	66493-67	A. C. EXTENSION CORD (three prong) .....	70 to * - DE, DEC
7	66495-63	ADAPTER PLUG, charger A. C. cable .....	70 to * - DE, DEF, DEC
8	66500-69	BATTERY CHARGER, portable 36 V. (Lester-matic) .....	70 to * - DE, DEC
9	66501-69	A. C. CABLE AND PLUG, battery charger (three prong) .....	70 to * - DE, DEC
10	66502-69	BUSHING (2) .....	70 to * - DE, DEC
11	66503-69	FUSE RECEPTACLE, with wires (2) .....	70 to * - DE, DEC
12	66504-69	TIMER KNOB .....	70 to * - DE, DEC
13	66505-69	HEAT SINK WITH DIODE .....	70 to * - DE, DEC
14	66506-69	AMMETER .....	70 to * - DE, DEC
15	66507-69	TIMER .....	70 to * - DE, DEC
16	66508-69	FUSE, 30 AMP. (2) .....	70 to * - DE, DEC
17	66509-69	CAPACITOR, 20.5 mfd. ....	70 to * - DE, DEC
18	66512-69	TRANSFORMER, battery charger .....	70 to * - DE, DEC
19	66513-69	CASE, battery charger - complete .....	70 to * - DE, DEC
20	66514-69	CAPACITOR, 0.5 mfd. ....	70 to * - DE, DEC
21	70350-69	CABLE, inside diode to charger plug (red) .....	70 - DEC
22	70351-69	CABLE, outside diode to charger plug (black) .....	70 - DEC
23	70406-69	CABLE, inside diode to charger plug (red) .....	70 to * - DE
24	70407-69	CABLE, outside diode to charger plug (black) .....	70 to * - DE

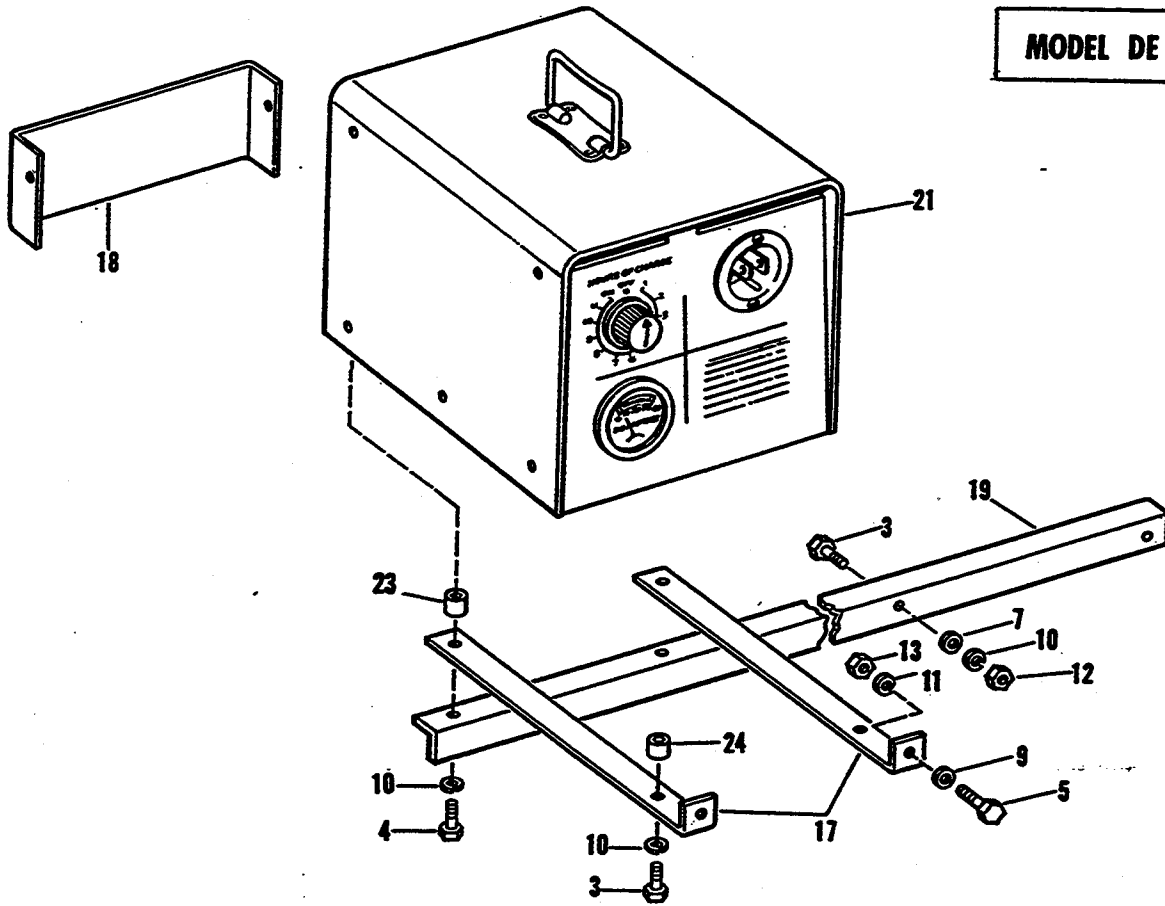
NOTE: Asterisk (\*) indicates part is used for latest model year shown on cover.

**BUILT-IN BATTERY  
CHARGER-1967 AND 1968**

**MODEL DEC**



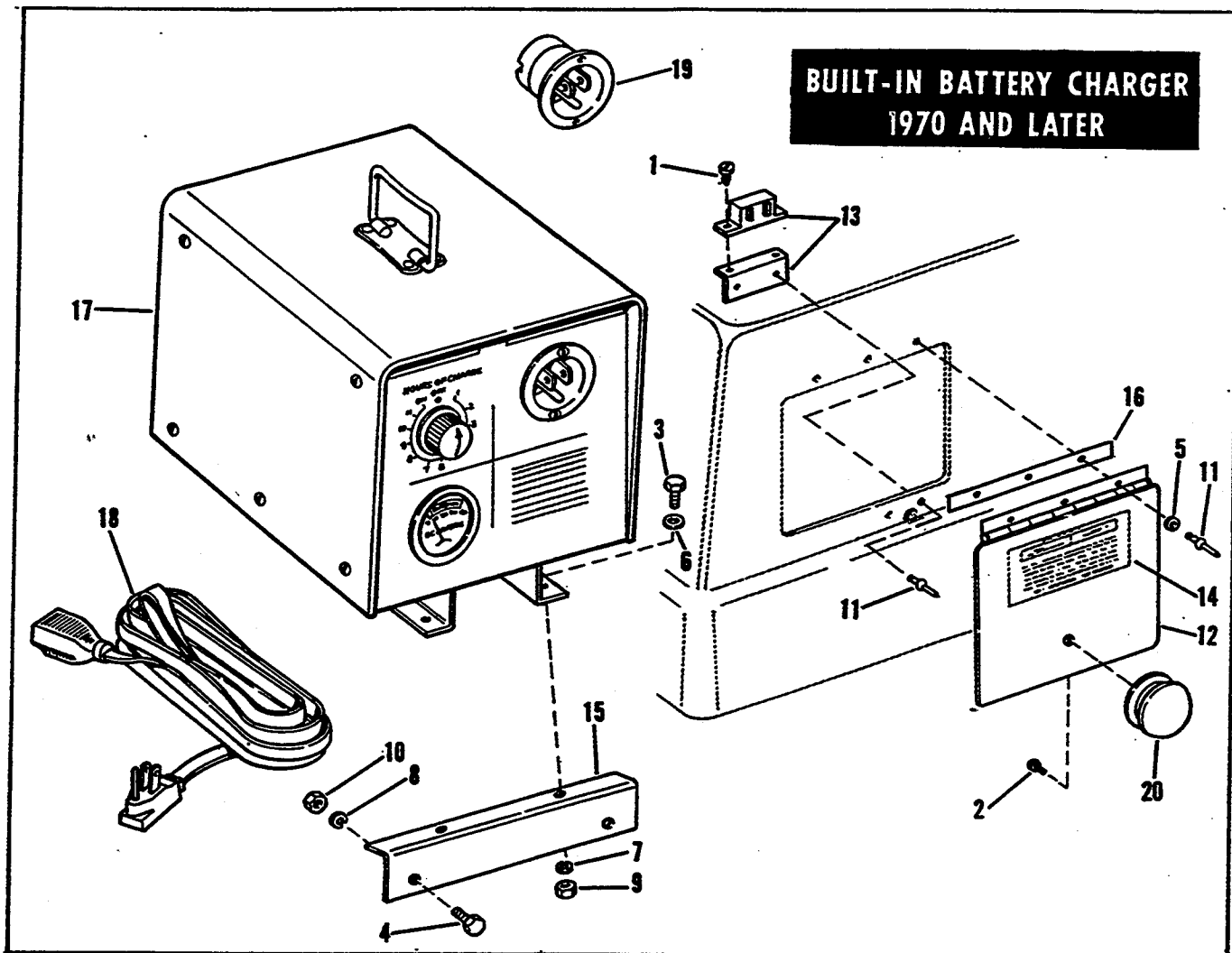
**MODEL DE**



## BUILT-IN BATTERY CHARGER – 1967 & 1968

INDEX NO.	PART NO.	NAME	USED ON
1	3728	BOLT, charger to frame, 1/4-20 x 1/2 hex. hd. (4)	67 & 68 – DEC
2	3738	BOLT, 1/4-28 x 1/2 hex. hd. (2)	67 & 68 – DEC
3	3802W	BOLT, charger mounting, 1/4-20 x 7/8 hex. hd. (4)	67 & 68 – DE
4	3944W	BOLT, rear support, 1/4-20 x 1-1/4 hex. hd. (2)	67 & 68 – DE
5	3974HW	BOLT, charger mounting, 5/16-24 x 3/4 hex. hd. (2)	67 & 68 – DE, DEC
6	4020W	BOLT, front bracket, 5/16-24 x 1-3/8 hex. hd. (2)	67 & 68 – DEC
6A	5947W	SPACER, charger front mounting (2)	67 & 68 – DEC
7	6228W	WASHER, charger mounting, 1/4 x 1/2 x 1/16 (2)	67 & 68 – DE
8	6310B	WASHER, cable clamp, 5/16 x 9/16 x 1/32	67 & 68 – DEC
9	6316W	WASHER, charger mounting, 5/16 x 5/8 x 1/16 (2)	67 & 68 – DE
10	7036	LOCKWASHER, charger mounting, 1/4 (4)	67 & 68 – DEC
11	7041	LOCKWASHER, charger mounting, 5/16 (4)	67 & 68 – DE, DEC
12	7688	NUT, charger mounting, 1/4-20 x 1/4 x 1/2 (2)	67 & 68 – DE, DEC
13	7753	NUT, charger mounting, 5/16-24 x 17/64 x 1/2 hex. (2)	67 & 68 – DE, DEC
14	9967	CABLE CLAMP, small	67 & 68 – DEC
16	66430-67	FRONT SUPPORT BRACKET	67 & 68 – DEC
17	66435-67	MOUNTING BRACKET (2)	67 & 68 – DE
18	66437-67	HEAT SHIELD, charger	67 & 68 – DE
19	66439-67	REAR SUPPORT BRACKET	67 & 68 – DE
20	66440-67	REAR MOUNTING BRACKET (2)	67 & 68 – DEC
21	66491-67B	BATTERY CHARGER, in-car (Harley-Davidson)	67 & 68 – DE, DEC
	66493-67	A. C. EXTENSION CORD (three prong)	67 & 68 – DE, DEC
23	66496-67	CONNECTOR, charger cable	67 & 68 – DE, DEC
24	91265-58	SPACER, charger mounting (4)	67 & 68 – DE

## BUILT-IN BATTERY CHARGER 1970 AND LATER



## BUILT-IN BATTERY CHARGER - 1969 & LATER

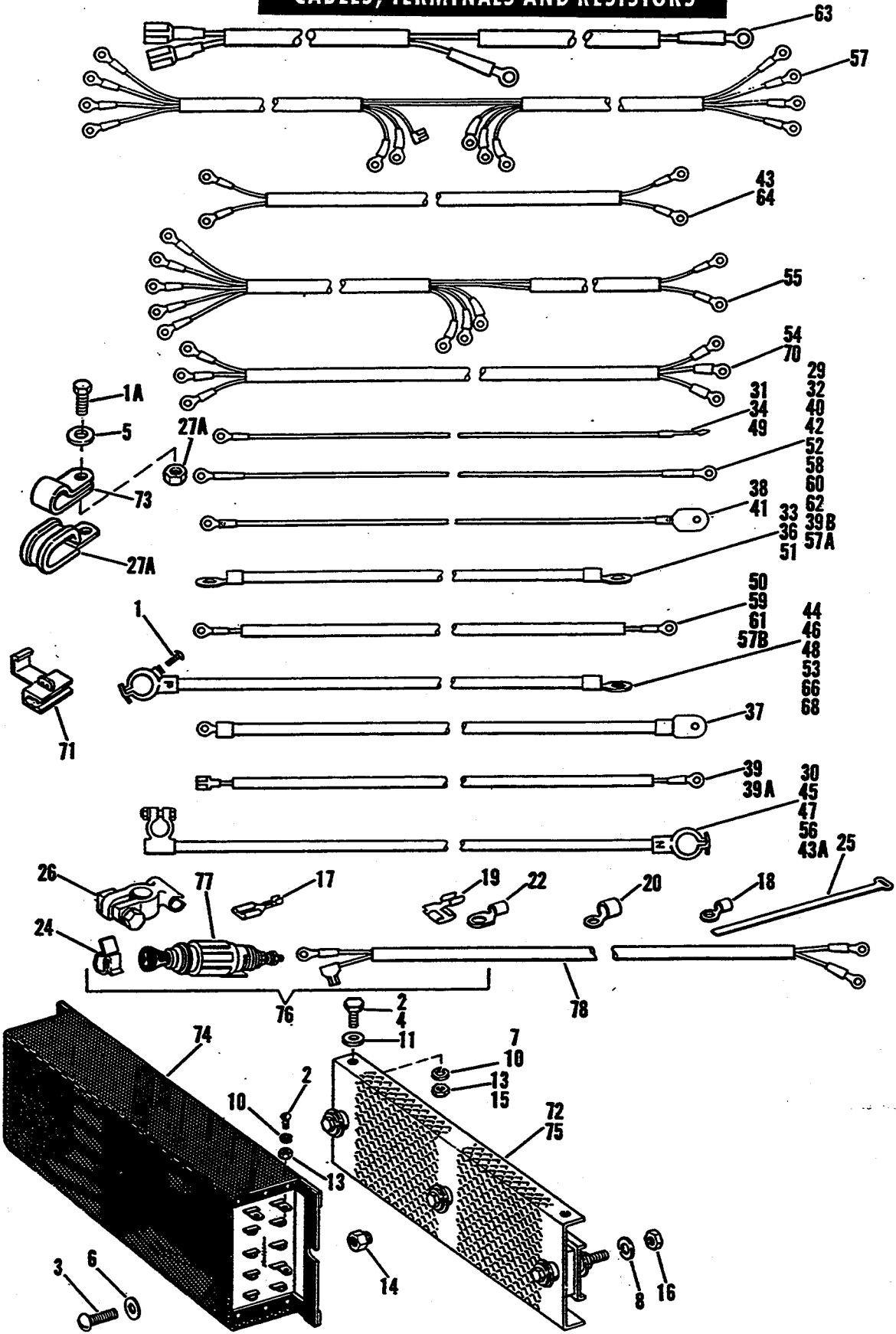
INDEX NO.	PART NO.	NAME	USED ON
1	2073W	SCREW, No. 4-40 self-tapping (2)	69 to * - DE, DEC
2	2631	SCREW, knob, No. 8-32 x 15/16 rd. hd.	69 to * - DE, DEC
3	3767B	BOLT, 1/4-20 x 9/16 hex. hd. (3)	69 to * - DE, DEC
4	3974HW	BOLT, 5/16-24 x 3/4 hex. hd.	69 to * - DE, DEC
5	6189W	WASHER, No. 8 x 3/8 x 1/32 (3)	69 to * - DE, DEC
6	6242W	WASHER, 1/4 x 9/16 x 1/32 (3)	69 to * - DE, DEC
7	7036	LOCKWASHER, 1/4	69 to * - DE, DEC
8	7041	LOCKWASHER, 5/16	69 to * - DE, DEC
9	7688	NUT, 1/4-20	69 to * - DE, DEC
10	7753	NUT, 5/16-24	69 to * - DE, DEC
11	8315	RIVET, battery charger door catch and hinge (5)	69 - DE, DEC
	8690	RIVET, battery charger door catch and hinge (5)	70 to * - DE, DEC
12	50110-69	ACCESS DOOR, battery charger	69 to * - DE, DEC
13	50116-69A	DOOR CATCH KIT (includes magnet, bracket, rivets & screws)	69 to * - DE, DEC
14	66029-69	BATTERY MAINTENANCE LABEL	69 & 70 - DEC
	66030-67	BATTERY MAINTENANCE LABEL	69 to * - DE
15	66434-69A	FRONT BRACKET, battery charger	69 to * - DE, DEC
16	66474-69	GASKET, access door	69 to * - DE, DEC
17	66491-67B	BATTERY CHARGER, in-car (Harley-Davidson)	69 to * - DE, DEC
18	66493-67	A. C. EXTENSION CORD (three prong)	69 to * - DE, DEC
19	66496-67	CONNECTOR, charger cable	69 to * - DE, DEC
20	91690-49	KNOB, battery charger access door	69 to * - DE, DEC

# CABLES, TERMINALS AND RESISTOR

INDEX NO.	PART NO.	NAME	USED ON
1	1183	SCREW, No. 10-32 x 5/16 fil. hd. ....	Late 63 to * - DE, DEF, DEC
1A	2575W	SCREW, battery cable clamp, No. 6-32 x 7/8 rd. hd. ....	69 to * - DE
2	2669W	SCREW, No. 10-24 x 3/8 rd. hd. (3) .....	63 to 66 - DE, DEF, DEC; 67 to 70 - DEC
3	2772	SCREW, 1/4-28 x 3/4 rd. hd. (2).....	63 to 65 - DE, DEF, DEC
4	3728	SCREW, resistor terminal, 1/4-20 x 1/2 hex. hd. (2) .....	67 to * - DE, DEC
5	6075W	WASHER, No. 6 x 5/16 x 1/32 (2).....	66 to * - DE, DEC
6	6228W	WASHER, 1/4 x 1/2 x 1/16 (2) .....	63 to 65 - DE, DEF, DEC
7	7036	LOCKWASHER, resistor terminal, 1/4 (2).....	67 to * - DE, DEC
8	7045	LOCKWASHER, 3/8 (3).....	66 to * - DE, DEC
10	7118	LOCKWASHER, No. 10 int. tooth (6).....	63 to 66 - DE, DEF, DEC; 67 to 70 - DEC
11	7124	LOCKWASHER, 1/4 int. tooth (2).....	67 to * - DE, DEC
13	7620W	NUT, No. 10-24 x 1/8 x 3/8 hex. (3) .....	63 to 66 - DE, DEF, DEC; 67 to 70 - DEC
14	7683	NUT, 1/4-28 Flexloc (2).....	63 to 65 - DE, DEF, DEC
15	7688	NUT, resistor mtg., 1/4-20 x 1/4 x 1/2 hex. (2) .....	67 to * - DE, DEC
16	7783	NUT, 3/8-16 x 5/16 x 9/16 hex. (3) .....	66 to * - DE, DEC
17	9914	TERMINAL, micro switch wires (2) .....	63 to * - DE, DEF, DEC
18	9916	WIRE TERMINAL, 1/4 eye (2).....	63 to 65 - DE, DEF, DEC
	9918	WIRE TERMINAL, 1/4 eye.....	66 to * - DE, DEC
19	9925	WIRE TERMINAL .....	66 to * - DE, DEC
20	9933	WIRE TERMINAL, 1/4 eye (7).....	63 to * - DE, DEF, DEC
22	9936	WIRE TERMINAL, oval, 5/16 eye (5) .....	63 & Early 64 - DE
24	9981	CLIP, lighter cable and battery carrier cable clamp.....	63 to * - DE, DEF, DEC
25	10016	CABLE STRAP.....	63 to * - DE, DEF, DEC
26	10017	BATTERY CABLE TERMINAL (12).....	63 & Early 64 - DE
27	10019	CABLE CLAMP (3) .....	67 to * - DE
27A	60031-61	NUT, No. 6-32, battery cable clamp.....	69 to * - DE
29	70018-65A	GROUND STRAP, hinge bolt .....	66 to 70 - DEC
	70033-63	SOLENOID WIRE (5) .....	63 to 66 - DE, DEF, DEC; 67 to 70 - DEC
	70034-63	SOLENOID WIRE (green).....	63 to 66 - DE, DEF, DEC; 67 & 68 - DEC
	70035-63	SOLENOID WIRE (blue).....	63 to 66 - DE, DEF, DEC; 67 & 68 - DEC
	70045-63	GROUND WIRE, speed control solenoids.....	66 - DEC
30	70049-64	BATTERY CABLE, battery to A-1 motor terminal .....	66 to 68 - DEC
31	70062-63	CABLE, motor to charger connector (red) .....	63 to 66 - DE, DEF, DEC; 67 to 70 - DEC
	70062-66	CABLE, charger plug to solenoid .....	66 to 68 - DEC
32	70064-63	WIRE, speed switch to battery (white) .....	63 & Early 64 - DE
	70064-64	WIRE, speed switch to battery terminal (white).....	Late 64 & 65 - DE, DEF, DEC
	70064-66	CABLE, solenoid to speed switch.....	66 & 67 - DEC
33	70066-63	CABLE, motor to solenoids (2) .....	63 to 65 - DE, DEF, DEC
	70066-66	CABLE, motor to solenoids (2) (A-2 and S-2 terms.) .....	66 to 68 - DEC; 66 to * - DE
34	70095-63	WIRE, speed switch to charger plug .....	63 to 65 - DE, DEF, DEC
	70095-66	CABLE, speed switch to charger plug.....	66 to * - DE
	70096-63	CABLE, motor to solenoid (S-1 term.) .....	63 to 65 - DE, DEF, DEC
36	70096-66	CABLE, solenoid to motor .....	66 - DE, DEC; 67 & 68 - DEC
37	70108-63A	WIRE, solenoid to resistor (2) .....	66 - DE, DEC; 67 & 68 - DEC
38	70109-63	WIRE, speed switch to battery (black) .....	63 & Early 64 - DE
	70109-64	WIRE, speed switch to battery (black) .....	Late 64 & 65 - DE, DEF, DEC
	70109-66	WIRE, solenoid to speed switch.....	66 - DE
	70118-69	MAIN CABLE ASSEMBLY .....	69 & 70 - DEC
39	70132-64	WIRE, horn switch to horn.....	65 to 68 - DEF, DEC
39A	70132-69	WIRE, horn switch to horn.....	69 & 70 - DEC
39B	70143-69	WIRE, horn switch to light switch .....	69 & 70 - DEC
40	70155-66	WIRE, solenoid to speed switch (blue) .....	66 - DE, DEC; 67 & 68 - DEC
41	70174-66	CABLE, solenoid to resistor .....	66 - DE, DEC; 67 & 68 - DEC
42	70175-66	WIRE, solenoid to speed switch (white) .....	66 - DE, DEC; 67 - DEC
43	70188-66	CABLE, solenoids to speed switch (2 wires).....	66 - DE
43A	70193-63A	BATTERY CABLE - 17 in. ....	69 & 70 - DEC

NOTE: Asterisk (\*) indicates part is used for latest model year shown on cover.

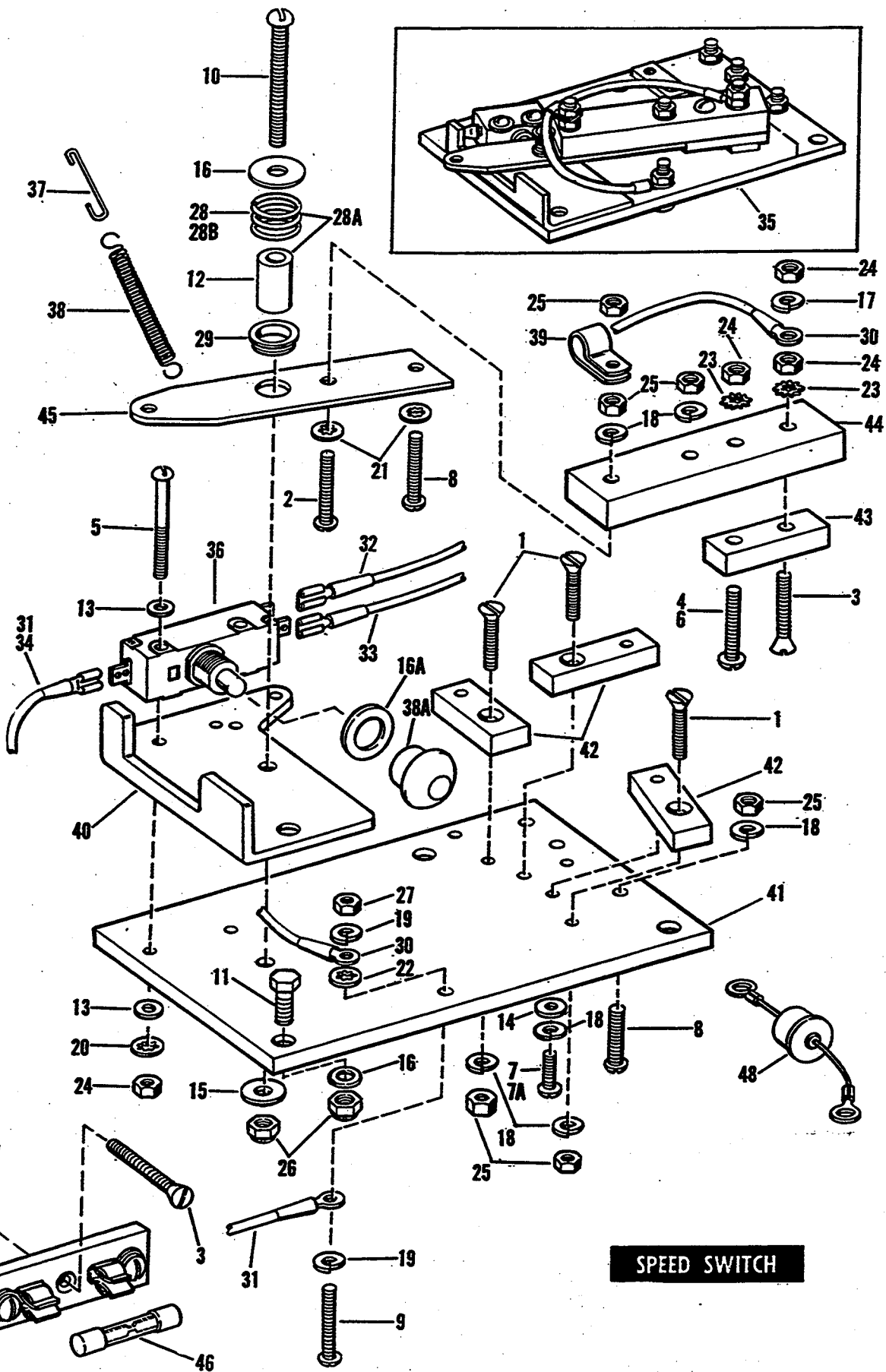
# CABLES, TERMINALS AND RESISTORS



## CABLES, TERMINALS AND RESISTOR (CONT'D)

INDEX NO.	PART NO.	NAME	USED ON
44	70194-63	CABLE, motor to battery .....	63 to 65 - DE, DEF, DEC
	70194-66	CABLE, rear left battery to motor .....	66 - DE
45	70197-63	BATTERY CONNECTOR CABLE, long .....	63 to 65 - DE, DEF, DEC
	70197-66	CABLE, front batteries to rear .....	66 - DE
46	70198-63	CABLE, solenoid to battery .....	63 to 65 - DE, DEF, DEC
	70198-66	CABLE, front left battery to solenoid .....	66 - DE
47	70199-63A	BATTERY CONNECTOR CABLE, short (DE-4; DEC-5) .....	66 to * - DE, DEC
48	70200-64	CABLE, motor to battery (used only with six batteries mounted forward) .....	65 - DEF, DEC
49	70214-66	CABLE, charger plug to solenoid .....	66 to 68 - DEC
50	70216-66	WIRE, fuse to battery .....	66 to 68 - DEC
51	70219-66	CABLE, motor to solenoid .....	66 to 68 - DEC
	70220-66	CABLE, solenoid to solenoid (speed range) .....	66 to 68 - DEC
	70221-66	CABLE, speed solenoid to solenoid (8-1/2 in.) .....	66 to 68 - DEC
	70222-66	CABLE, speed solenoid to solenoid (6-1/2 in.) .....	66 to 68 - DEC
52	70223-66A	SOLENOID WIRE, black .....	66 to * - DE, DEC
53	70224-66	CABLE, right front battery to solenoid .....	66 to 68 - DEC
54	70225-63	CABLE, speed switch to key switch .....	63 to 65 - DE, DEF, DEC
	70226-66	CABLE, key switch to speed switch .....	66 to * - DE
55	70227-63	CABLE, speed switch to solenoids .....	63 to 65 - DE, DEF, DEC
56	70228-66	CABLE, left rear battery to solenoid .....	66 to 68 - DEC
	70229-66	CABLE, left front battery to solenoid .....	66 to 68 - DEC
57	70230-66	CABLE, key switch to speed switch .....	66 to 68 - DEC
57A	70238-69	CABLE ASSEMBLY, headlamp - ground .....	69 & 70 - DEC
57B	70239-69	CABLE ASSEMBLY, headlamp - light switch .....	69 & 70 - DEC
58	70283-65	WIRE, speed switch to ground (floorboard) .....	65 - DE, DEF, DEC; 66 to * - DE
59	70284-65	CABLE, light switch to battery .....	65 - DEF, DEC
	70284-66	CABLE, light switch to battery .....	66 to 68 - DEC
	70286-65	WIRE, terminal block to terminal block .....	65 to 68 - DEF, DEC
60	70287-66	WIRE, speed switch to solenoid (green) .....	66 - DE, DEC; 67 & 68 - DEC
61	70289-65	CABLE, light switch to terminal block .....	65 to 68 - DEF, DEC
62	70292-66	WIRE, center front battery to speed switch .....	66 - DE
	70418-61	WIRE, horn to switch .....	65 to 68 - DEF, DEC
63	70437-67	CABLE, stoplight switch to cut-out switch .....	67 & 68 - DEC
64	70438-67	CABLE, rear terminal strips .....	67 & 68 - DEC
	70439-67	CABLE, stoplight switch .....	67 & 68 - DEC
	70451-67	WIRE, solenoid to speed switch (black) (2 on DEC) .....	69 & 70 - DEC; 67 to * - DE
	70452-67	WIRE, solenoid to diode (black) .....	69 & 70 - DEC; 67 to * - DE
	70453-67	WIRE, circuit breaker to diode (black) .....	69 & 70 - DEC; 67 to * - DE
	70454-67	WIRE, solenoid to resistor - 29-1/2 in. lg. ....	69 & 70 - DEC; 67 to * - DE
	70455-67	WIRE, solenoid to resistor - 38-1/2 in. lg. ....	69 & 70 - DEC; 67 to * - DE
	70456-67	WIRE, solenoid to solenoid (white) (3) .....	69 & 70 - DEC; 67 to * - DE
66	70457-67	WIRE, circuit breaker to battery .....	69 & 70 - DEC; 67 to * - DE
	70458-67	WIRE, heat sink to front left battery neg. terminal .....	69 & 70 - DEC; 67 to 70 - DE
	70459-67	WIRE, solenoids to motor terminals (2) .....	69 & 70 - DEC; 67 to * - DE
	70460-67	WIRE, solenoid to solenoid (black) .....	69 & 70 - DEC; 67 to * - DE
	70461-67	WIRE, speed switch to solenoid (black) .....	69 & 70 - DEC; 67 to * - DE
	70462-67	WIRE, heat sink to solenoid (black) .....	69 & 70 - DEC; 67 to * - DE
68	70463-67	WIRE, solenoid to right front battery pos. terminal .....	67 to * - DE
	70463-69	WIRE, solenoid to right front battery pos. terminal .....	69 & 70 - DEC
	70464-67A	WIRE, solenoid to right rear battery neg. terminal .....	67 to * - DE
69	70465-67	WIRE, solenoid to motor "A-2" terminal (2) .....	69 & 70 - DEC; 67 to * - DE
	70466-67	WIRE, circuit breaker to speed switch .....	69 & 70 - DEC; 67 to * - DE
70	70467-67	CABLE, speed switch .....	69 & 70 - DEC; 67 to 70 - DE
	70468-67	CABLE, key switch to speed switch .....	67 to 70 - DE
	70468-71	CABLE, key switch to solenoids .....	71 to * - DE
	70480-68	SOLENOID WIRE (red) .....	Late 68 - DEC
71	70576-68	CONNECTOR (Scotchlok) (2) .....	69 & 70 - DEC
72	70592-67	RESISTOR .....	69 & 70 - DEC; 67 to * - DE
73	71795-63A	CLAMP, battery cable (under left floorboard) .....	67 to * - DE
74	74547-63B	RESISTOR .....	63 to 65 - DE, DEF, DEC
75	74547-66	RESISTOR .....	66 - DE, DEC; 67 & 68 - DEC
76	91810-63A	CIGARETTE LIGHTER KIT .....	63 to * - DE, DEF, DEC
77	91811-63A	CIGARETTE LIGHTER, only .....	63 to * - DE, DEF, DEC
78	91813-63	CIGARETTE LIGHTER CABLE .....	63 to * - DE, DEF, DEC

NOTE: Asterisk (\*) indicates part is used for latest model year shown on cover.



**SPEED SWITCH**

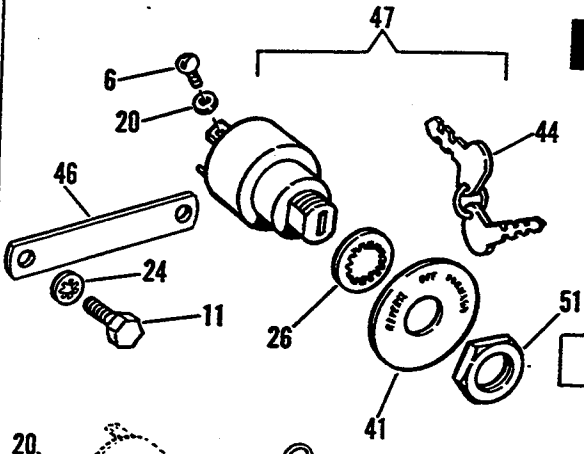


## SPEED SWITCH

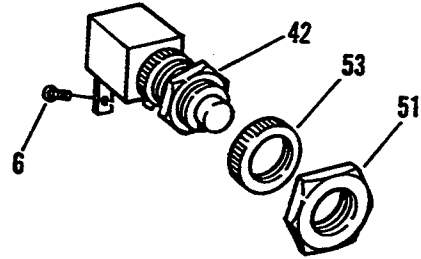
INDEX NO.	PART NO.	NAME	USED ON
1	1763W	SCREW, No. 10-24 x 3/4 ctsk. hd. (4)	63 to * - DE, DEF, DEC
2	1769W	SCREW, No. 10-24 x 1 rd. hd.	63 to * - DE, DEF, DEC
3	1770W	SCREW, No. 6-32 x 15/16 ctsk. hd.	63 to * - DE, DEF, DEC
4	2555W	SCREW, No. 6-32 x 1 rd. hd.	67 to * - DE; 69 & 70 - DEC
5	2570W	SCREW, No. 6-32 x 1-3/8 rd. hd. (2)	63 to * - DE, DEF, DEC
6	2586	SCREW, No. 6-32 x 1/2 rd. hd.	63 to 66 - DE, DEF, DEC; 67 & 68 - DEC
7	2672B	SCREW, No. 10-24 x 1/2 rd. hd.	63 to 66 - DE, DEF, DEC; 67 & 68 - DEC
7A	2679W	SCREW, No. 10-24 x 9/16 Phil. hd. (2)	67 to * - DE; 69 & 70 - DEC
8	2686	SCREW, No. 10-24 x 7/8 rd. hd. (4)	63 to * - DE, DEF, DEC
9	2791W	SCREW, 1/4-20 x 1-1/4 rd. hd.	63 to * - DE, DEF, DEC
10	2793B	SCREW, 1/4-20 x 1-1/2 rd. hd.	63 to 65 - DE, DEF, DEC
	2799W	SCREW, 1/4-28 x 1-3/4 rd. hd.	66 to * - DE, DEC
11	3825	BOLT, 1/4-28 x 1 hex. hd.	66 to * - DE, DEC
12	5930W	SPACER, speed control lever (short)	63 to 70 - DE, DEF, DEC
	5966W	SPACER, speed control lever (long)	71 to * - DE, DEC
13	6075W	WASHER, 9/64 x 5/16 x 1/32 (4)	63 to * - DE, DEF, DEC
14	6165W	WASHER, No. 10 x 3/8 x 1/32	67 to * - DE
15	6245B	WASHER, 1/4 x 5/8 x 1/16	63 to * - DE, DEF, DEC
16	6253W	WASHER, 1/4 x 3/4 x 1/16	63 to * - DE, DEF, DEC
16A	6375B	WASHER, micro switch, 3/8 x 9/16 x 1/32 (3)	68 to * - DE, DEC
17	7010	LOCKWASHER, No. 6 (2)	63 to * - DE, DEF, DEC
18	7025W	LOCKWASHER, No. 10 (13)	63 to * - DE, DEF, DEC
19	7036	LOCKWASHER, 1/4 (2)	63 to * - DE, DEF, DEC
20	7115	LOCKWASHER, No. 8 int. tooth (2)	63 to * - DE, DEF, DEC
21	7118	LOCKWASHER, No. 10 int. tooth (5)	63 to * - DE, DEF, DEC
22	7124	LOCKWASHER, 1/4 int. tooth	63 to * - DE, DEF, DEC
23	7315	LOCKWASHER, No. 8 int. and ext. tooth (2)	63 to 68 - DE, DEF, DEC
23A	7590	NUT, No. 6-32 x 7/64 x 5/16 hex.	69 & 70 - DEC
24	7591W	NUT, No. 6-32 x 3/32 x 1/4 hex. (6)	63 to * - DE, DEF, DEC
25	7620W	NUT, No. 10-24 x 1/8 x 3/8 hex. (6)	63 to * - DE, DEF, DEC
26	7683	LOCK NUT, 1/4-28 (2)	63 to * - DE, DEF, DEC
27	7688	NUT, 1/4-20 x 1/4 x 1/2 hex.	63 to * - DE, DEF, DEC
28	17483-57	SPRING, lever pivot	63 to 70 - DE, DEF, DEC
28A	17483-67	SPRING KIT, speed switch (spring & long spacer)	63 to 70 - DE, DEC
28B	17485-71	SPRING, speed switch	71 to * - DE, DEC
29	40522-63	BUSHING, lever pivot	63 to * - DE, DEF, DEC
30	70045-63	WIRE, contact arm to solenoid terminal (2)	63 to * - DE, DEF, DEC
31	70172-63	WIRE, micro switch to solenoid terminal	63 to 65 - DE, DEF, DEC
	70172-66	WIRE, micro switch to solenoid terminal	66 - DE, DEC; 67 & 68 - DEC
32	70470-67	WIRE, micro switch - 9 in. lg.	67 to * - DE; 69 & 70 - DEC
33	70471-67	WIRE, micro switch - 6 in. lg.	67 to 70 - DE; 69 & 70 - DEC
34	70472-67A	WIRE, micro switch to contact block	67 to * - DE; 69 & 70 - DEC
35	71481-67A	SPEED CONTROL SWITCH, complete	67 to 70 - DE; 69 & 70 - DEC
	71481-71	SPEED CONTROL SWITCH, complete	71 to * - DE
	71482-63A	SPEED CONTROL SWITCH, complete	63 to 66 - DE; 66 to 68 - DEC
36	71506-63	MICRO SWITCH	63 to 66 - DE, DEF, DEC; 67 & 68 - DEC
	71506-67	MICRO SWITCH	67 to * - DE; 69 & 70 - DEC
37	71512-63	WIRE, speed switch return spring	63 to 65 - DE, DEF, DEC
38	71513-63	LEVER SPRING, speed switch	63 to 65 - DE, DEF, DEC
38A	71514-68A	RUBBER COVER, micro switch plunger	68 to * - DE, DEC
39	71795-63A	CLAMP, switch arm wire	63 to * - DE, DEF, DEC
40	71820-63A	LEVER SUPPORT PLATE	63 to * - DE, DEF, DEC
	71822-63	BASE PLATE, speed switch	63 to 66 - DE, DEF, DEC; 67 & 68 - DEC
41	71822-67A	BASE PLATE, speed switch	67 to * - DE; 69 & 70 - DEC
42	71850-63	CONTACT BLOCK (4)	63 to * - DE, DEF, DEC
43	71851-63	SWITCH ARM CONTACT BLOCK	63 to * - DE, DEF, DEC
44	71852-63	SWITCH LEVER BLOCK	63 to * - DE, DEF, DEC
45	71853-63	SPEED CONTROL LEVER	63 to * - DE, DEF, DEC
46	74568-66	FUSE, speed range solenoids	69 & 70 - DEC
47	74570-66	FUSE HOLDER	69 & 70 - DEC
48	74885-67	DIODE (2)	67 to * - DE; 69 & 70 - DEC

NOTE: Asterisk (\*) indicates part is used for latest model year shown on cover.

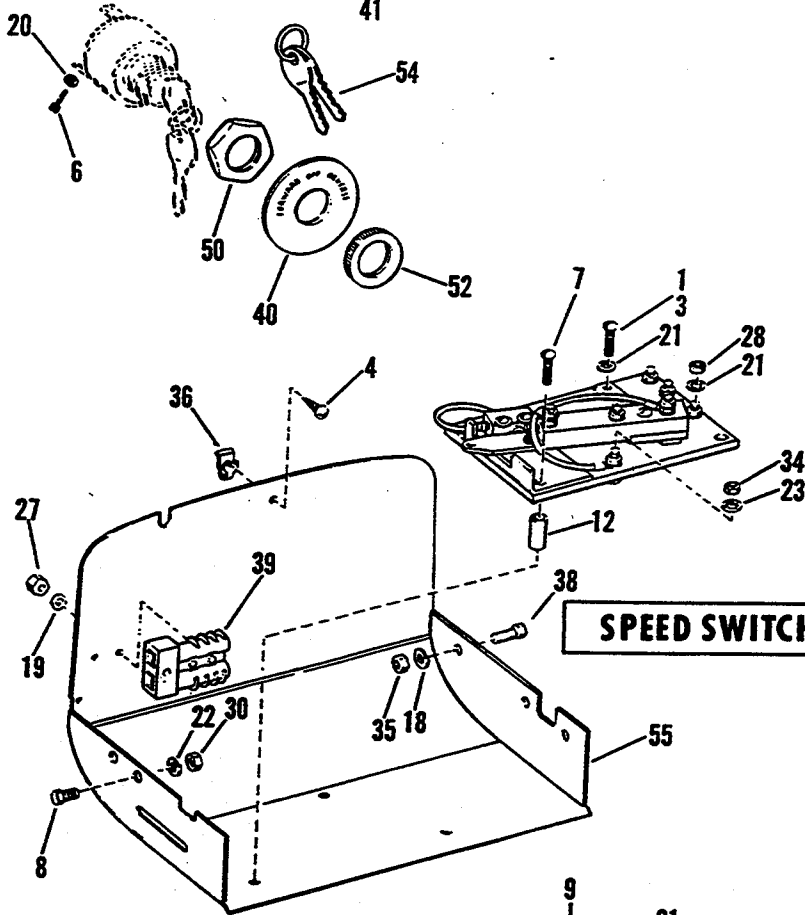
# SWITCHES



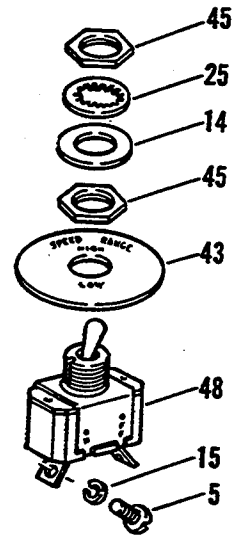
**KEY SWITCH**



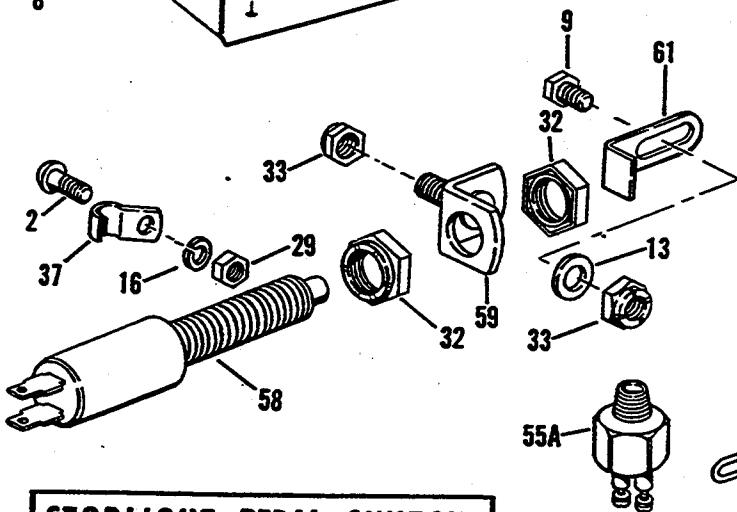
**HORN BUTTON**



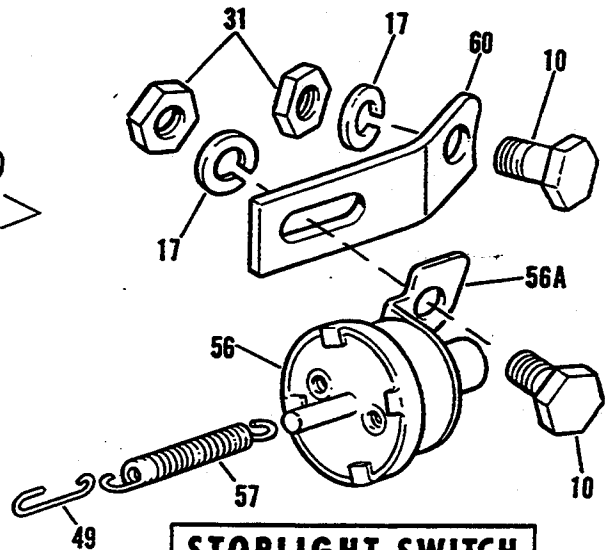
**SPEED SWITCH**



**HEADLAMP AND SPEED SELECTOR SWITCH**



**STOPLIGHT PEDAL SWITCH**



**STOPLIGHT SWITCH**

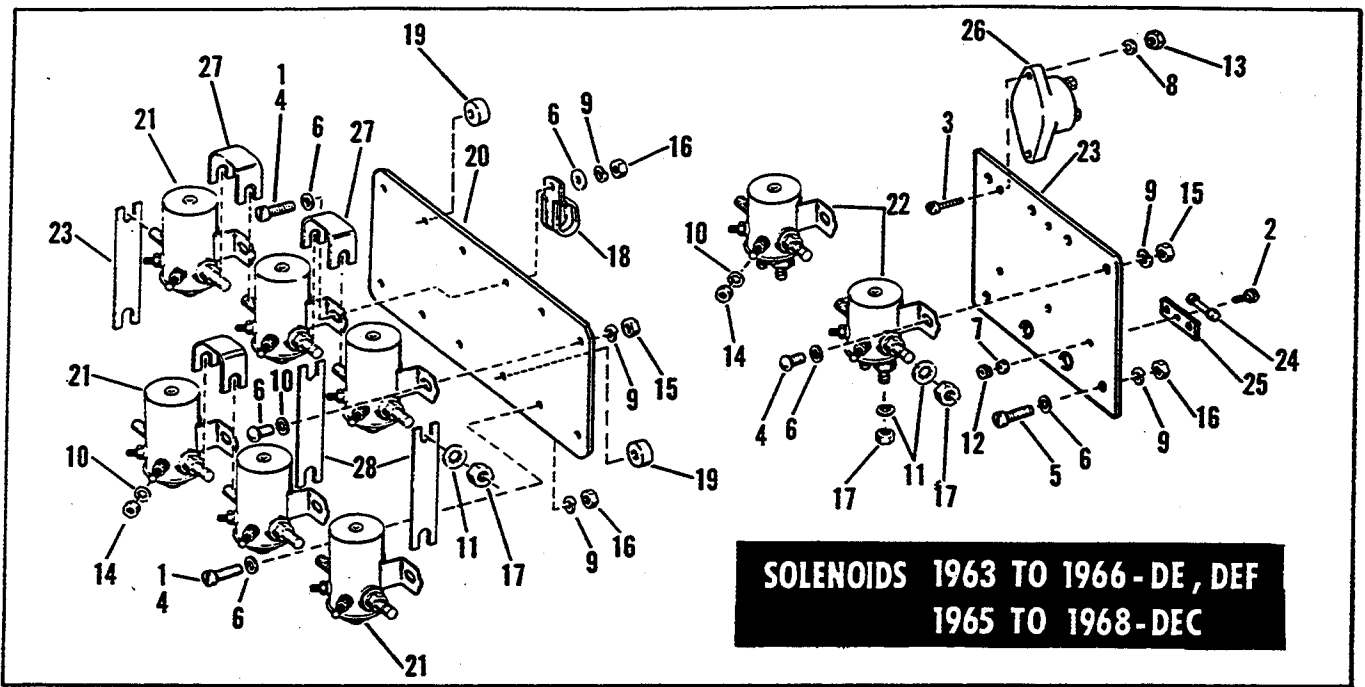
# SWITCHES

INDEX NO.	PART NO.	NAME	USED ON
1	1199B	SCREW, No. 10-24 x 1/2 fil. hd. (2)	63 to 65 - DE, DEF, DEC
2	1202W	SCREW, No. 10-32 x 1/2 rd. hd.	67 & 68 - DEC
3	1207W	SCREW, No. 10-24 x 5/8 fil. hd. (2)	66 to * - DE, DEC
4	2620	SCREW, No. 8-15 self-tapping rd. hd.	63 to 65 - DE, DEF
5	2626W	SCREW, No. 8-32 x 1/4 rd. hd. (2)	65 to * - DEF, DEC
6	2629	SCREW, No. 8-32 x 5/16 rd. hd. (5)	63 to * - DE, DEF, DEC
7	2793B	SCREW, 1/4-20 x 1-1/2 rd. hd. (3)	63 to 65 - DE, DEF, DEC
8	3625	SCREW, No. 12-24 x 3/8 hex. hd. (2)	63 to 65 - DE, DEF, DEC
9	3738	SCREW, 1/4-28 x 5/8 hex. hd.	67 & 68 - DEC
10	3741	SCREW, 1/4-28 x 1/2 hex. hd. (2)	67 & 68 - DEC
11	4336W	BOLT, 3/8-24 x 1-1/8 hex. hd.	66 to * - DE
12	5931B	SPACER, speed switch mounting (3)	63 to 65 - DE, DEF, DEC
13	6242W	WASHER, 1/4 x 9/16 x 1/32 (2)	67 & 68 - DEC
14	6807W	WASHER, 1/2 x 3/4 x 1/32	65 to * - DEF, DEC
15	7015	LOCKWASHER, No. 8 (2)	65 to * - DEF, DEC
16	7021	LOCKWASHER, No. 10	67 & 68 - DEC
17	7036	LOCKWASHER, 1/4 (2)	67 & 68 - DEC
18	7041	LOCKWASHER, 5/16	63 to 65 - DE, DEF, DEC
19	7112	LOCKWASHER, No. 6 int. tooth (2)	63 to 65 - DE, DEF
20	7115	LOCKWASHER, No. 8 int. tooth	63 to * - DE, DEF, DEC
21	7118	LOCKWASHER, No. 10 int. tooth (2)	63 to * - DE, DEF, DEC
22	7121	LOCKWASHER, No. 12 (2)	63 to 65 - DE, DEF, DEC
23	7124	LOCKWASHER, 1/4 int. tooth	63 to * - DE, DEF, DEC
24	7130W	LOCKWASHER, 3/8 int. tooth	66 to * - DE
25	7138	LOCKWASHER, 7/16 int. tooth	65 to * - DEF, DEC
26	7146	LOCKWASHER, key switch	Late 65 to * - DE, DEF, DEC
27	7591W	NUT, No. 6-32 x 3/32 x 1/4 hex. (2)	63 to 65 - DE, DEF, DEC
28	7620W	NUT, No. 10-24 x 1/4 x 1/2 hex. (3)	63 to * - DE, DEF, DEC
29	7638	NUT, No. 10-32 x 1/8 x 3/8 hex.	67 & 70 - DEC
30	7654W	NUT, No. 12-24 x 5/32 x 7/16 hex.	63 to 65 - DE, DEF, DEC
31	7676	NUT, 1/4-28 x 3/16 x 7/16 hex. (2)	67 & 70 - DEC
32	7677	LOCK NUT, cut-out switch (2)	67 & 70 - DEC
33	7682	LOCK NUT, 1/4-28	67 & 70 - DEC
34	7688	NUT, 1/4-20 x 1/4 x 1/2 hex. (4)	63 to 65 - DE, DEF, DEC
35	7753	NUT, 5/16-24 x 17/64 x 1/2 hex.	63 to 65 - DE, DEF, DEC
36	8127	SPEED NUT, No. 8	63 to 65 - DE, DEF, DEC
37	9982	CABLE CLIP	67 & 70 - DEC
38	59146-52	BOLT, 5/16-24 x 3/4 hex. hd.	63 to 65 - DE, DEF, DEC
39	66031-63	CHARGER CONNECTOR PLUG	63 to 65 - DE, DEF, DEC
40	71023-63	PLATE, key switch	63 to 65 - DE, DEF, DEC (Below Serial No. 65DE-1373)
41	71023-65	PLATE, key switch	65 to * - DE, DEF, DEC (Above Serial No. 65DE-1373)
42	71475-63	HORN BUTTON SWITCH	65 to * - DEF, DEC
43	71479-66	PLATE, speed selector switch	66 & 68 - DEC
44	71486-65	SET OF SWITCH KEYS	65 to * - DE, DEF, DEC (Above Serial No. 65DE-1373)
45	71489-63	LOCK NUT, headlamp switch (2)	65 to * - DEF, DEC
46	71491-66	GROUND STRAP, key switch	66 to * - DE, DEC
47	71496-63A	KEY SWITCH, with keys and plate	63 to 65 - DE, DEF, DEC (Below Serial No. 65DE-1373)
	71496-65	KEY SWITCH, with keys	65 to * - DE, DEF, DEC
	71498-70	KEY SWITCH, with keys (individual keys)	65 to * - DE, DEC
	<del>71499-67</del>	KEY SWITCH, with keys (without spring loaded reverse position) <i>use 71762-75, 71445-74 + 1 EA. 9907</i>	65 to * - DE, DEC (Above Serial No. 65DE-1373)
48	71502-63	HEADLAMP AND SPEED SELECTOR TOGGLE SWITCH	65 to * - DEF, DEC
49	71512-63	PULL WIRE, stoplight switch	67 & 68 - DEC
50	71522-59	HEX. NUT, key switch	63 to Early 65 - DE
51	71523-64	HEX. NUT, key switch	Late 65 to * - DE, DEF, DEC
52	71524-59A	KNURLED NUT, key switch	63 to Early 65 - DE
53	71525-64	KNURLED NUT, horn switch mounting	65 to * - DEF, DEC
54	71625-59	KEY (specify serial no.)	63 to 65 - DE, DEF, DEC (Below Serial No. 65DE-1373)
55	71841-63	SPEED SWITCH MOUNTING BASE	63 to 65 - DE, DEF, DEC
55A	72002-51	STOPLIGHT SWITCH	69 & 70 - DEC

NOTE: Asterisk (\*) indicates part is used for latest model year shown on cover.

## SWITCHES (CONT'D)

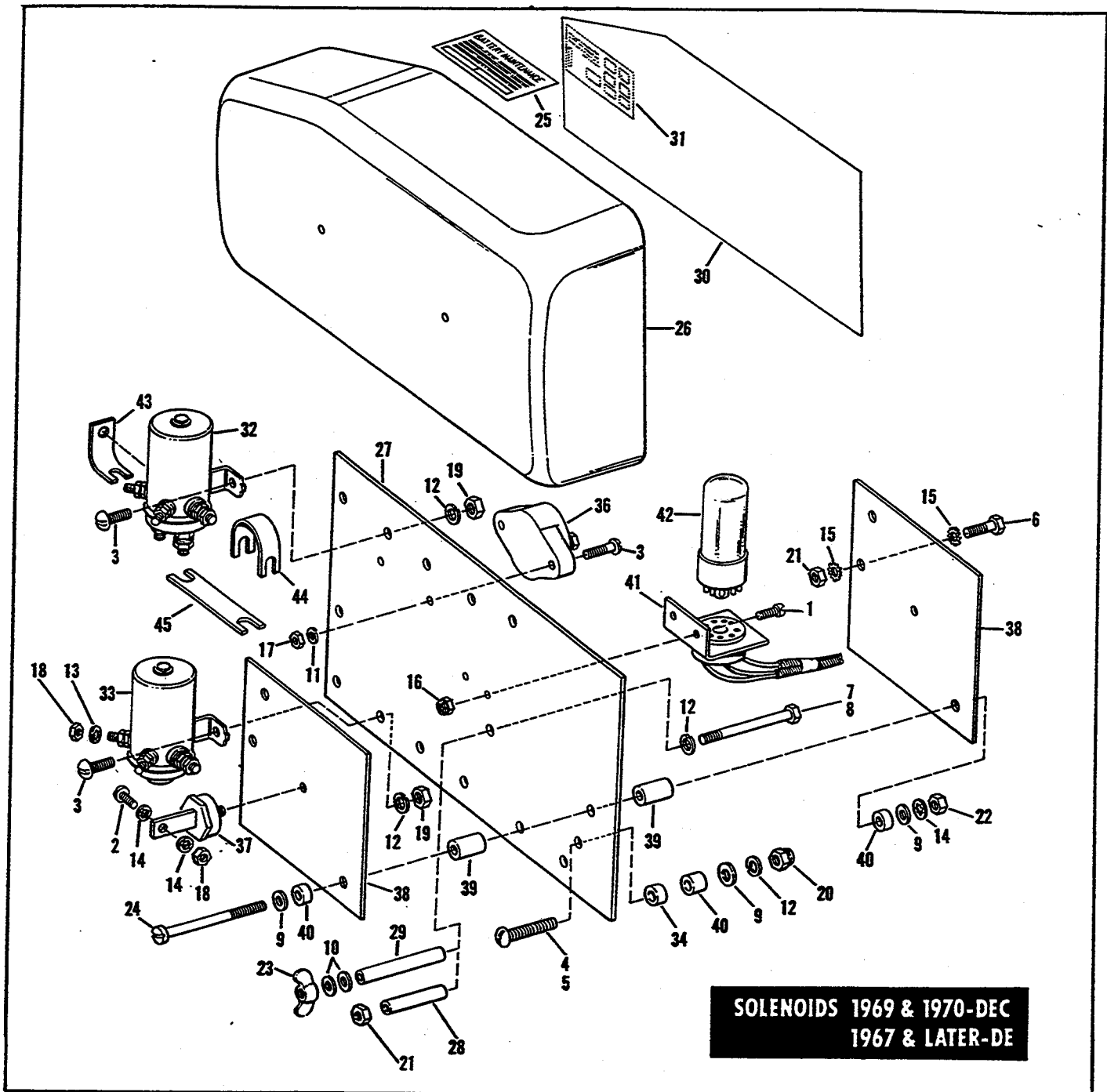
INDEX NO.	PART NO.	NAME	USED ON
56	72004-39	STOPLIGHT SWITCH .....	67 & 68 - DEC
	72007-67	STOPLIGHT SWITCH KIT .....	67 & 68 - DEC
		NOTE: This kit can be installed on 1966 Utilicar if the following additional parts are ordered separately:	
	2686	SCREW	
	6187W	WASHER	
	7624	LOCK NUT	
	42405-66A	LEVER, brake pedal	
	42488-63A	RATCHET, brake pedal	
	42490-67	SPACER, pedal ratchet	
56A	72010-39	MOUNTING BRACKET, stoplight switch .....	67 & 68 - DEC
57	72017-39	SPRING, pull wire .....	67 & 68 - DEC
58	72018-67	STOPLIGHT CUT-OUT SWITCH .....	67 & 68 - DEC
59	72024-67	MOUNTING BRACKET, stoplight cut-out switch .....	67 & 68 - DEC
60	72028-67	MOUNTING BRACKET, stoplight switch .....	67 & 68 - DEC
61	72046-63	STRIKE, stoplight switch .....	67 & 68 - DEC



**SOLENOIDS**  
**1963 TO 1966 - DE, DEF**  
**1965 TO 1968 - DEC**

INDEX NO.	PART NO.	NAME	USED ON
1	1369	SCREW, 1/4-20 x 11/16 fil. hd. (3)	63 to 65 - DE, DEF, DEC
2	1661B	SCREW, No. 6-32 x 1/2 ctsk. hd.	66 to 68 - DEC
3	2686	SCREW, No. 10-24 x 7/8 rd. hd. (4)	68 - DEC
4	2763	SCREW, 1/4-28 x 1/2 rd. hd. (13)	63 to 66 - DE; 65 to 68 - DEC
5	2812W	SCREW, 1/4-28 x 1-1/4 rd. hd. (2)	66 to 68 - DEC
6	6228W	WASHER, 1/4 x 1/2 x 1/16 (15)	63 to 66 - DE; 65 to 68 - DEC
7	7010	LOCKWASHER, No. 6	66 to 68 - DEC
8	7021	LOCKWASHER, No. 10 (4)	68 - DEC
9	7036	LOCKWASHER, 1/4 (15)	63 to 66 - DE; 65 to 68 - DEC
10	7118	LOCKWASHER, No. 10 int. tooth (21)	63 to 66 - DE; 65 to 68 - DEC
11	7127	LOCKWASHER, 5/16 int. tooth (19)	63 to 66 - DE; 65 to 68 - DEC
12	7590	NUT, No. 6-32 x 7/64 x 5/16 hex.	66 to 68 - DEC
13	7620W	NUT, No. 10-24 (4)	68 - DEC
14	7638	NUT, No. 10-32 (11)	63 to 66 - DE; 65 to 68 - DEC
15	7676	NUT, 1/4-28	63 to 66 - DE; 65 to 68 - DEC
16	7688	NUT, 1/4-20 (1 or 2)	63 to 65 - DE; 66 to 68 - DEC
17	7753	NUT, 5/16-24 x 17/64 x 1/2 hex. (19)	63 to 66 - DE; 65 to 68 - DEC
18	10019	CABLE CLAMP	63 to 65 - DE, DEF, DEC
19	61135-52	SPACER, solenoid plate to frame (2)	68 - DEC
20	71022-63	PLATE, solenoid switch mounting	63 to 66 - DE; 65 to 68 - DEC
21	71470-63C	SOLENOID SWITCH (6)	63 to 66 - DE; 65 to 68 - DEC
22	71476-66A	SOLENOID SWITCH, speed range (2)	66 to 68 - DEC
23	71478-66A	MOUNTING PLATE, solenoid switch	66 to 68 - DEC
24	74568-66	FUSE, speed range solenoids	66 to 68 - DEC
25	74570-66	FUSE HOLDER	66 to 68 - DEC
26	74593-67	CIRCUIT BREAKER (2)	68 - DEC
27	74894-63A	CONNECTOR BAR, solenoid - curved (3)	63 to 66 - DE; 65 to 68 - DEC
28	74895-63	CONNECTOR BAR, solenoid - straight (3)	63 to 66 - DE; 65 to 68 - DEC

NOTE: Asterisk (\*) indicates part is used for latest model year shown on cover.



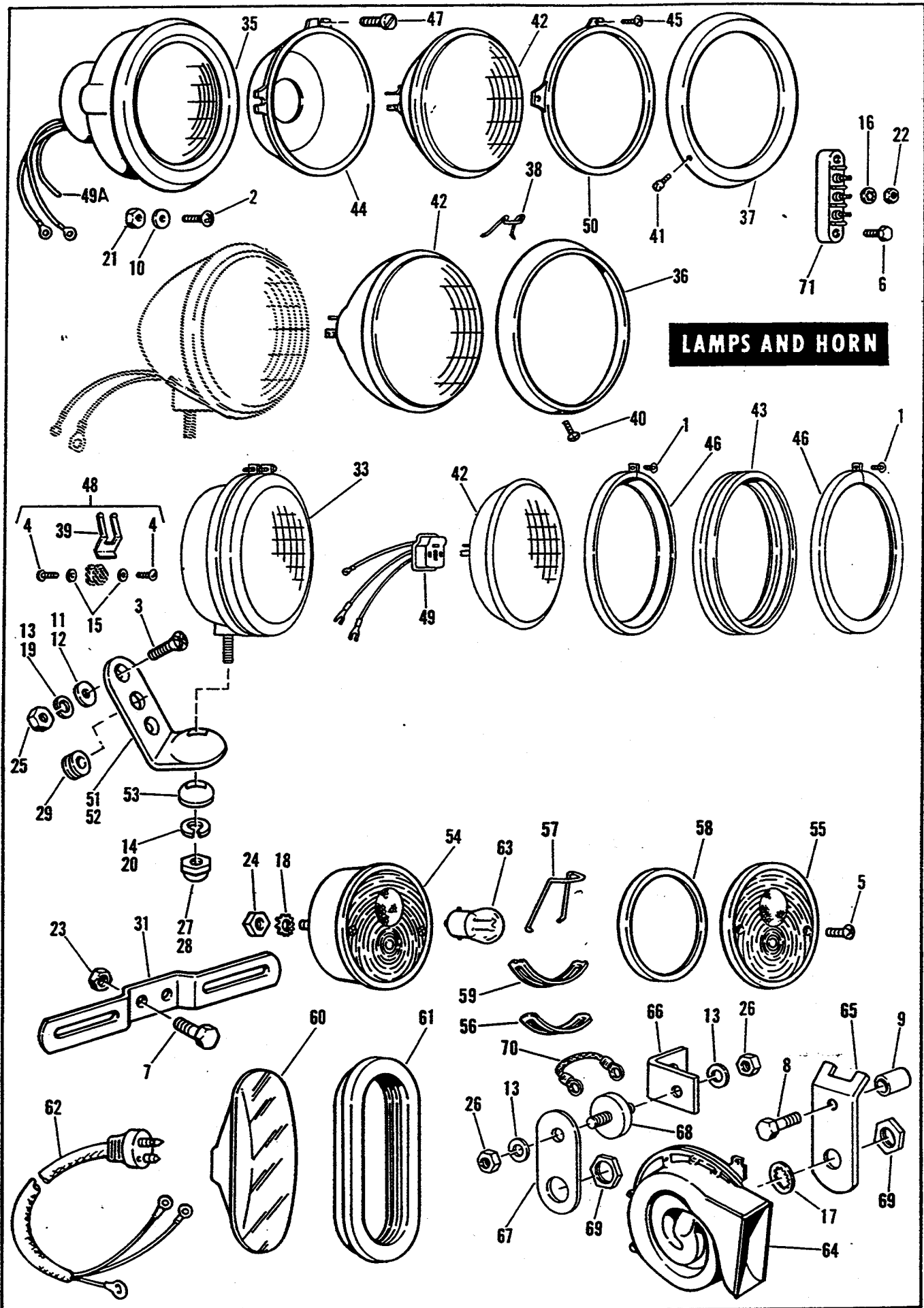
**SOLENOIDS**  
**1969 & 1970 - DEC**  
**1967 & LATER - DE**

INDEX NO.	PART NO.	NAME	USED ON
1	1063W	SCREW, tube socket, No. 8-32 x 1/4 fil. hd. (2)	69 & 70 - DEC; 67 to * - DE
2	2684W	SCREW, No. 10-32 x 5/8 rd. hd. (2)	69 & 70 - DEC; 67 to * - DE
3	2686	SCREW, No. 10-24 x 7/8 rd. hd.	69 & 70 - DEC; 67 to * - DE
4	2772	SCREW, 1/4-28 x 3/4 rd. hd. (3)	67 to * - DE
5	2812W	SCREW, 1/4-28 x 1-1/4 rd. hd. (3)	Late 69 & 70 - DEC
6	3802W	BOLT, 1/4-20 x 7/8 hex. hd. (2)	69 & 70 - DEC; 67 to * - DE
7	5420B	BOLT, 1/4-20 x 4-5/8 hex. hd. (2)	67 & 68 - DE
8	5422B	BOLT, 1/4-20 x 3-7/8 hex. hd. (2)	69 to * - DE, DEC
9	6228W	WASHER, 1/4 x 1/2 x 1/16 (12)	69 & 70 - DEC; 67 to * - DE
10	6257W	WASHER, 9/32 x 1-1/4 x 1/16 (4)	69 & 70 - DEC; 67 to * - DE
11	7025W	LOCKWASHER, No. 10 (2)	69 & 70 - DEC; 67 to * - DE
12	7036	LOCKWASHER, 1/4 (12)	69 & 70 - DEC; 67 to * - DE
13	7118	LOCKWASHER, No. 10 int. tooth (12)	69 & 70 - DEC; 67 to * - DE
14	7124	LOCKWASHER, 1/4 int. tooth	69 & 70 - DEC; 67 to * - DE
15	7230	LOCKWASHER, 1/4 ext. tooth (4)	69 & 70 - DEC; 67 to * - DE
16	7609W	LOCK NUT, No. 8-32 (2)	69 & 70 - DEC; 67 to * - DE
17	7620W	NUT, No. 10-24 x 1/8 x 3/8 hex. (2)	69 & 70 - DEC; 67 to * - DE
18	7638	NUT, No. 10-32 x 1/8 x 3/8 hex. (7)	69 & 70 - DEC; 67 to * - DE
19	7676	NUT, 1/4-28 x 3/16 x 7/16 hex. (12)	69 & 70 - DEC; 67 to * - DE
20	7683	LOCK NUT, 1/4-28 (3)	67 to * - DE, DEC
21	7688	NUT, 1/4-20 x 1/4 x 1/2 hex. (6)	69 & 70 - DEC; 67 to * - DE
22	7689W	NUT, 1/4-20 x 3/16 x 1/2 hex.	69 & 70 - DEC; 67 to * - DE
23	8119W	WING NUT, solenoid cover (2)	69 & 70 - DEC; 67 to * - DE
24	25451-47	SCREW, 1/4-20 x 3 Phil. hd. (2)	69 & 70 - DEC; 67 to * - DE
25	66030-67	BATTERY MAINTENANCE LABEL	69 & 70 - DEC; 67 to * - DE
26	71019-67A	COVER, solenoid switches	69 & 70 - DEC; 67 to * - DE
27	71021-67	PLATE, solenoid switch mounting	69 & 70 - DEC; 67 to * - DE
28	71026-69	SPACER, solenoid mounting plate (2)	69 to * - DE, DEC
29	71027-67	SPACER, solenoid mounting plate (2)	67 to 68 - DE
30	71030-67A	TRANSFER, solenoid cover (check chart)	69 & 70 - DEC; 67 to * - DE
31	71040-69	TROUBLE SHOOTING LABEL	69 & 70 - DEC
32	71470-63C	SOLENOID SWITCH (2)	69 & 70 - DEC; 67 to * - DE
	71471-67A	SOLENOID SWITCH (6V) (bottom row - center)	69 & 70 - DEC; 67 to * - DE
33	71476-67A	SOLENOID SWITCH (six terms.) (6V) (2)	69 & 70 - DEC; 67 to * - DE
34	71478-69	SPACER, insulating (3)	Late 69 to 70 - DEC
36	74593-67	CIRCUIT BREAKER (2)	69 & 70 - DEC; 67 to * - DE
37	74857-67	DIODE, solenoid switch (2)	69 & 70 - DEC; 67 to * - DE
38	74859-67	HEAT SINK, solenoid diodes (2)	69 & 70 - DEC; 67 to * - DE
39	74861-67	FIBER SPACER, solenoid diodes (long) (4)	69 & 70 - DEC; 67 to * - DE
40	74862-67	FIBER SPACER, solenoid diodes (short) (4)	69 & 70 - DEC; 67 to * - DE
41	74873-67	SOCKET ASSEMBLY, time delay tube	69 & 70 - DEC; 67 to * - DE
42	74875-67	TUBE, time delay control	69 & 70 - DEC; 67 to * - DE
43	74893-67	SOLENOID CONNECTOR BAR, right angle (2)	69 & 70 - DEC; 67 to * - DE
44	74894-63A	SOLENOID CONNECTOR BAR, curved	69 & 70 - DEC; 67 to * - DE
45	74895-63	SOLENOID CONNECTOR BAR, straight	69 & 70 - DEC; 67 to * - DE

**LAMPS AND HORN**

1	1074W	SCREW, No. 8-32 x 3/4 fil. hd. (2)	69 & 70 - DEF, DEC
2	1202W	SCREW, No. 10-32 x 1/2 rd. hd. (4)	66 to 70 - DEC
3	2402W	SCREW, 5/16-24 x 23/32 Phil. hd. (2)	65 to 70 - DEF, DEC
4	2629	SCREW, No. 8-32 x 5/16 rd. hd. (4)	69 & 70 - DEF, DEC
5	2639W	SCREW, No. 8 x 5/8 self-tapping (2)	65 to 70 - DEC
6	3669W	SCREW, No. 10-32 x 7/8 self-tapping hex. hd. (2)	65 to 68 - DEF, DEC
7	3791	BOLT, (2)	65 to 70 - DEC
8	4337W	BOLT, 3/8-24 x 1-1/4 hex. hd.	65 to 70 - DEF, DEC
9	5914B	SPACER, horn bracket bolt	65 to 70 - DEF, DEC
10	6187W	WASHER, No. 10 x 9/16 x 1/16 (4)	66 to 70 - DEC
11	6316W	WASHER, 5/16 x 5/8 x 1/16 (2)	69 & 70 - DEC
12	6338HB	WASHER, 5/16 x 1-1/16 x .020 (2)	65 to 70 - DEF, DEC
13	7041	LOCKWASHER, 5/16 (2)	65 to 70 - DEF, DEC

NOTE: Asterisk (\*) indicates part is used for latest model year shown on cover.



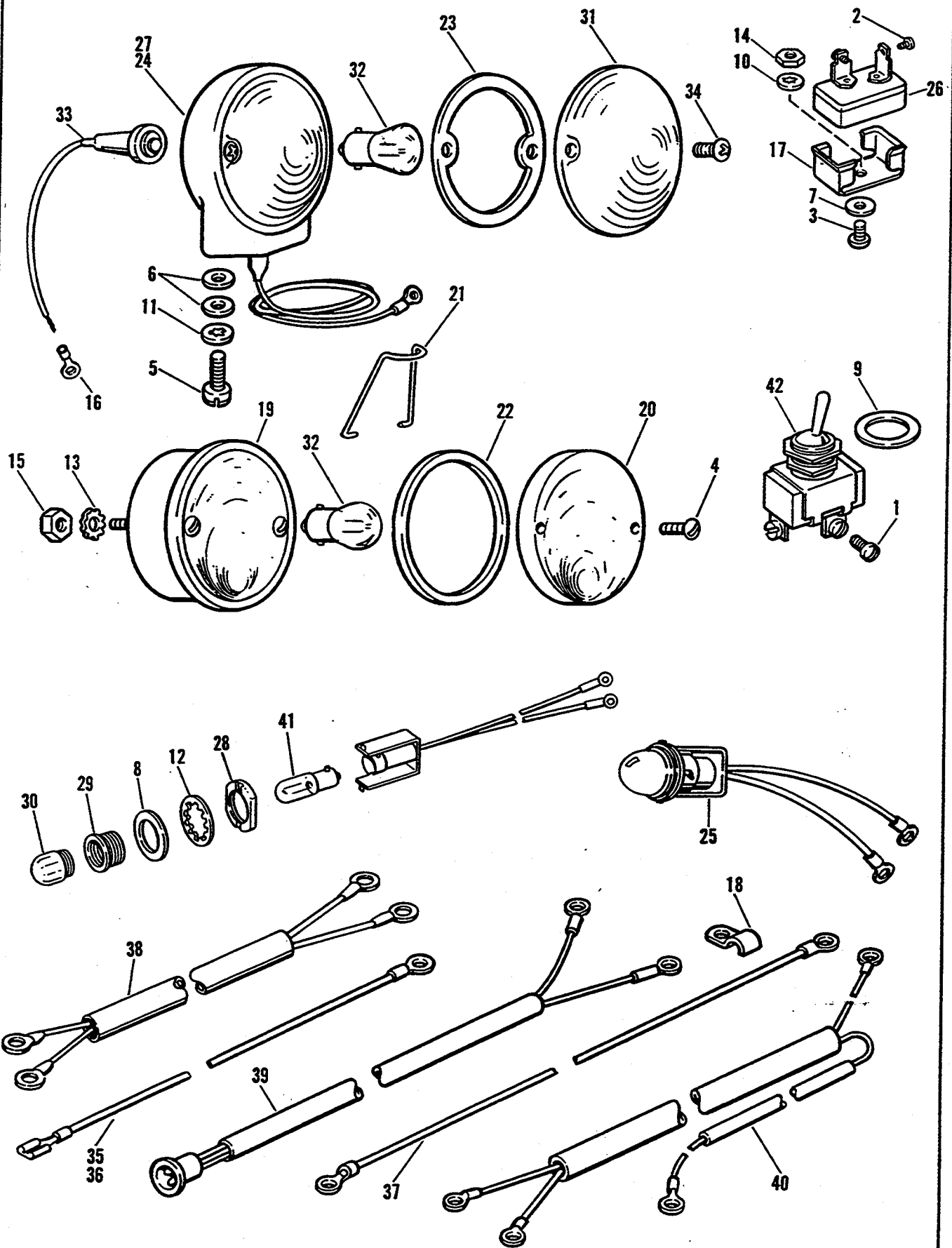
**LAMPS AND HORN**



## LAMPS AND HORN (CONT'D)

INDEX NO.	PART NO.	NAME	USED ON
14	7045	LOCKWASHER, 3/8 .....	65 to 68 - DEF, DEC
15	7115	LOCKWASHER, No. 8 int. tooth .....	69 & 70 - DEF, DEC
16	7118	LOCKWASHER, No. 10 int. tooth .....	65 to 68 - DEF, DEC
17	7148W	LOCKWASHER, horn mounting, 7/8 int. tooth .....	65 to 70 - DEF, DEC
18	7230	LOCKWASHER, 1/4 ext. tooth (2) .....	65 to 70 - DEF, DEC
19	7232	LOCKWASHER, 5/16 external tooth (2) .....	69 & 70 - DEC
20	7238	LOCKWASHER, headlamp, 1/2 x 7/8 int. tooth .....	69 & 70 - DEC
21	7626W	LOCK NUT, No. 10-32 (4) .....	66 to 70 - DEC
22	7638	NUT, No. 10-32 x 1/8 x 3/8 hex. (2) .....	65 to 68 - DEF, DEC
23	7683	LOCK NUT, 1/4-28 .....	65 to 70 - DEC
24	7688	NUT, 1/4-20 x 1/4 x 1/2 hex. (2) .....	65 to 70 - DEF, DEC
25	7744	NUT, 5/16-24 x 3/16 x 1/2 hex. (2) .....	65 to 70 - DEF, DEC
26	7748W	NUT, horn rubber mount, 5/16-18 (2) .....	69 & 70 - DEC
27	7783	NUT, 3/8-16 .....	65 to 70 - DEF, DEC
28	7914	NUT, 1/4-20 hex. ....	69 & 70 - DEC
29	11411	GROMMET, headlamp wire .....	65 to 70 - DEF, DEC
31	60000-65	LICENSE PLATE BRACKET .....	65 to 70 - DEC
33	67703-65A	HEADLAMP ASSEMBLY .....	65 to 70 - DEC
35	67707-66A	HEADLAMP ASSEMBLY (used with cab) .....	66 to 70 - DEC
36	67713-59	DOOR, headlamp .....	65 to 68 - DEF, DEC
37	67713-66	DOOR, headlamp .....	66 to 70 - DEC
38	67714-59	SPRING, headlamp door (4) .....	65 to 68 - DEF, DEC
39	67714-63	RETAINER, terminal (2) .....	69 & 70 - DEF, DEC
40	67715-59	SCREW, headlamp door .....	65 to 68 - DEF, DEC
41	67715-66	SCREW, headlamp door .....	66 to 70 - DEC
42	67717-65	SEALED UNIT, headlamp .....	69 & 70 - DEF, DEC
43	67719-63	MOUNTING RING, resilient .....	69 & 70 - DEF, DEC
44	67719-66	MOUNTING RING .....	66 to 70 - DEC
45	67721-48	SCREW, retaining ring (2) .....	66 to 70 - DEC
46	67725-63	MOLDING RING (2) .....	69 & 70 - DEF, DEC
47	67730-66	ADJUSTING SCREW (2) .....	66 to 70 - DEC
48	67745-63	TERMINAL PLATE KIT (2) .....	69 & 70 - DEF, DEC
49	67753-63	CONNECTOR AND WIRING .....	69 & 70 - DEF, DEC
49A	67753-66	CONNECTOR AND WIRING .....	66 to 70 - DEC
50	67765-66	RETAINING RING .....	66 to 70 - DEC
51	67808-64	BRACKET, headlamp mounting .....	65 to 68 - DEF, DEC
52	67808-69	MOUNTING BRACKET, headlamp .....	69 & 70 - DEC
53	67815-59A	CUP WASHER, headlamp mounting .....	65 to 70 - DEF, DEC
54	68015-65	TAIL LAMP ASSEMBLY, less wire - left .....	65 to 70 - DEC
	68016-65	TAIL LAMP ASSEMBLY, less wire - right .....	65 to 70 - DEC
55	68091-60A	LENS, tail lamp .....	65 to 70 - DEC
56	68094-65	OUTLOOK LENS, tail lamp .....	65 to 70 - DEC
57	68107-55	RETAINING SPRING, tail lamp lens .....	65 to 70 - DEC
58	68125-59A	GASKET, tail lamp lens .....	65 to 70 - DEC
59	68127-65A	GASKET, outlook lens .....	65 to 70 - DEC
60	68142-65	TAIL AND STOP LAMP, less mounting ring .....	65 - DEF
61	68143-65	RUBBER MOUNTING RING, tail lamp .....	65 - DEF
62	68145-65	TAIL LAMP CONNECTOR, with wires .....	65 - DEF
63	68165-64	BULB, tail lamp .....	65 to 70 - DEC
64	69000-65	HORN .....	65 to 70 - DEF, DEC
65	69033-64	BRACKET, horn mounting .....	65 to 70 - DEF, DEC
66	69035-69	ANGLE BRACKET, horn .....	69 & 70 - DEC
67	69117-65	MOUNTING PLATE, horn .....	69 & 70 - DEC
68	69125-65	RUBBER MOUNT, horn .....	69 & 70 - DEC
69	69149-65	NUT, horn mounting .....	65 to 70 - DEF, DEC
70	70016-65A	GROUND STRAP, horn .....	69 & 70 - DEC
71	71560-64	TERMINAL BLOCK (2) .....	65 to 68 - DEF, DEC

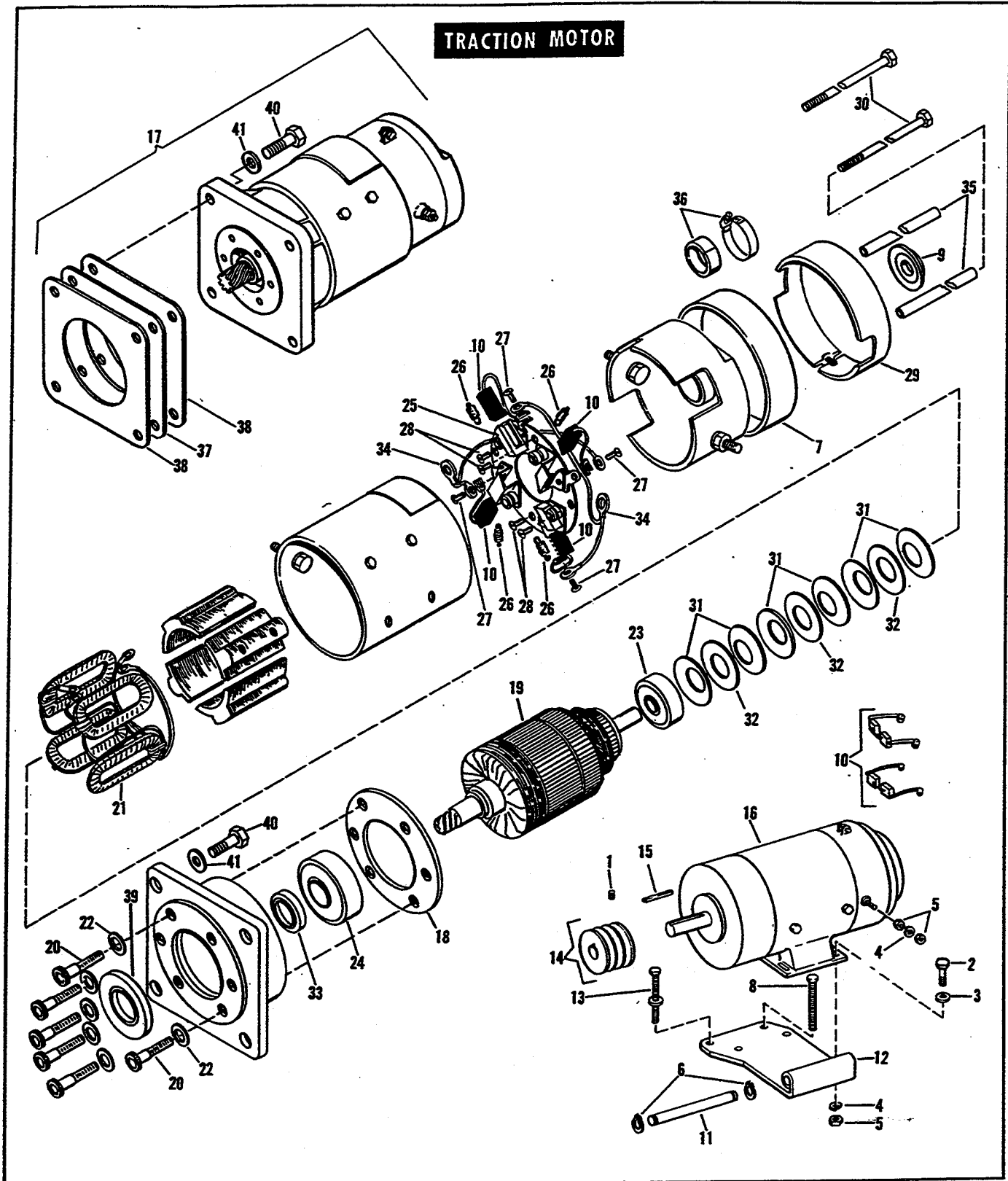
# DIRECTION SIGNALS



## DIRECTION SIGNALS

INDEX NO.	PART NO.	NAME	USED ON
1	990W	SCREW, No. 6-32 x 3/16 fil. hd. (3)	66 to 68 - DEC
2	2073W	SCREW, No. 4-40 self-tapping (2)	66 to 68 - DEC
3	2632W	SCREW, No. 8-32 x 7/16 rd. hd.	66 to 68 - DEC
4	2639W	SCREW, No. 8 x 5/8 self-tapping (2)	66 to 68 - DEC
5	2681W	SCREW, No. 10-32 x 5/8 rd. hd. (4)	66 to 68 - DEC
6	6182W	WASHER, No. 10 x 7/16 x 1/32 (8)	66 to 68 - DEC
7	6189W	WASHER, No. 8 x 3/8 x 1/32	66 to 68 - DEC
8	6768	WASHER, 15/16 x 11/16 x 1/16 (fiber)	67 & 68 - DEC
9	6807W	WASHER, 1/2 x 3/4 x 1/32	66 to 68 - DEC
10	7115	LOCKWASHER, flasher clip, No. 8 int. tooth	66 to 68 - DEC
11	7118	LOCKWASHER, No. 10 int. tooth (4)	66 to 68 - DEC
12	7149	LOCKWASHER, 15/16 internal tooth	67 & 68 - DEC
13	7230	LOCKWASHER, 1/4 int. & ext. tooth (2)	66 to 68 - DEC
14	7608	NUT, No. 8-32 x 3/32 x 5/16 hex.	66 to 68 - DEC
15	7688	NUT, 1/4-20 x 1/4 x 1/2 hex. (2)	66 to 68 - DEC
16	9902	WIRE TERMINAL, front lamp, No. 10	67 & 68 - DEC
17	9954	BRACKET, flasher mounting	66 to 68 - DEC
18	9982	WIRE CLIP, front lamps (2)	66 to 68 - DEC
19	68016-65	REAR LAMP, less cable (red lens)	66 to 68 - DEC
20	68091-60A	LENS, rear lamp (red)	66 to 68 - DEC
21	68107-55	RETAINING SPRING, lamp lens (rear)	66 to 68 - DEC
22	68125-59A	GASKET, direction lamp lens (rear lamp)	66 to 68 - DEC
23	68521-63	GASKET, direction lamp lens (front lamp)	66 to 68 - DEC
24	68529-64	FRONT LAMP, with cable (amber lens) (2)	66 - DEC
	68532-66A	DIRECTION SIGNAL LAMP KIT, complete	66 to 68 - DEC
25	68535-67	PILOT LAMP	67 & 68 - DEC
26	68543-64A	FLASHER	66 to 68 - DEC
27	68552-70	LAMP WITH WIRE, front (amber) - 12 V. (2)	67 & 68 - DEC
28	68564-60	NUT, bulbholder	67 & 68 - DEC
29	68565-60	BULBHOLDER	67 & 68 - DEC
30	68566-60	LENS, green	67 & 68 - DEC
31	68571-63	LENS, front lamp (amber)	66 to 68 - DEC
32	68572-64A	BULB, 12 V.	66 to 68 - DEC
33	68576-63B	SOCKET AND WIRE, front lamps	66 to 68 - DEC
34	68586-63	SCREW, lamp lens (2) (front lamps)	66 to 68 - DEC
35	70008-66	WIRE, flasher to light switch	66 to 68 - DEC
36	70087-64A	WIRE, toggle switch to flasher	66 to 68 - DEC
37	70090-64	WIRE, front lamp ground (2)	66 to 68 - DEC
38	70242-67	CABLE, front lamps	67 & 68 - DEC
39	70290-65	CABLE, rear lamp to terminal block (2)	66 to 68 - DEC
40	70306-64A	CABLE, terminal blocks to toggle switch	66 to 68 - DEC
41	71090-64	BULB, 12 V.	66 to 68 - DEC
42	71505-64	DIRECTION SIGNAL TOGGLE SWITCH	66 to 68 - DEC

# TRACTION MOTOR



# TRACTION MOTOR

INDEX NO.	PART NO.	NAME	USED ON
1	3233	SET SCREW, 1/4-28 x 1/4 socket hd. (2)	63 to 65 - DE, DEF, DEC
2	3991	BOLT, 5/16-18 x 7/8 hex. hd. (4)	63 to 65 - DE, DEF, DEC
3	6319HW	WASHER, 5/16 x 11/16 x 1/16 (4)	63 to 65 - DE, DEF, DEC
4	7041	LOCKWASHER, 5/16 (8)	63 to 65 - DE, DEF, DEC
5	7748W	NUT, 5/16-18 x 17/64 x 1/2 hex. (8)	63 to 66 - DE, DEF, DEC
6	11031	RETAINING RING (2)	63 to 65 - DE, DEF, DEC
7	31496-67	RUBBER BAND, motor brush cover (2)	67 to * - DE, DEC
8	41576-36	ADJUSTING SCREW, motor	63 to 65 - DE, DEF, DEC
9	47749-67A	MOISTURE SEAL, commutator end shaft	Late 67 to * - DE, DEC
10	70491-63	SET OF MOTOR BRUSHES (4 in set)	63 to * - DE, DEF, DEC
11	70492-63	PIVOT PIN, motor mounting	63 to 65 - DE, DEF, DEC
12	70493-63	MOUNTING PLATE, motor	63 to 65 - DE, DEF, DEC
13	70496-63	ADJUSTING SCREW, motor	63 to 65 - DE, DEF, DEC
14	70497-63	MOTOR SHEAVE, with set screws	63 to 65 - DE, DEF, DEC
15	70498-63	KEY, motor shaft	63 to * - DE, DEF, DEC
16	70499-63	TRACTION MOTOR	63 to 65 - DE, DEF, DEC
17	70499-66A	TRACTION MOTOR, complete with mounting shims	66 to * - DE, DEC
18	72370-66	BEARING RETAINER, drive end	66 to * - DE, DEC
19	72371-66	ROTOR	66 to * - DE, DEC
20	72372-66	BOLT, bearing retainer (6)	66 to * - DE, DEC
21	72373-66	SET OF FIELD COILS	66 to * - DE, DEC
22	72374-66	WASHER, bearing retainer (6)	66 to * - DE, DEC
23	72380-66	BALL BEARING, commutator end	66 to * - DE, DEC
24	72381-66	BALL BEARING, drive end	66 to * - DE, DEC
25	72382-66	BRUSH MOUNTING PLATE, with springs	66 to * - DE, DEC
26	72383-66	BRUSH SPRING (4)	66 to * - DE, DEC
27	72384-66	SCREW, brush lead (4)	66 to * - DE, DEC
28	72385-66	SCREW, brush mounting plate (4)	66 to * - DE, DEC
29	72386-66	BRUSH COVER	66 to * - DE, DEC
30	72388-66	THRU-BOLT (2)	66 to * - DE, DEC
31	72389-66	SPRING WASHER (6)	66 to * - DE, DEC
32	72390-66	SHIM WASHER (3)	66 to * - DE, DEC
33	72391-66	BEARING COLLAR	66 to * - DE, DEC
34	72392-66	BRUSH LEAD (2)	66 to * - DE, DEC
35	72387-66	INSULATING TUBE, thru-bolt (2)	66 to * - DE, DEC
36	72395-66	REPAIR KIT, traction motor moisture seal	66 & Early 67 - DE, DEC
37	83080-66	SHIM, motor mounting - .003"	66 to * - DE, DEC
	83081-66	SHIM, motor mounting - .005"	66 to * - DE, DEC
	83082-66	SHIM, motor mounting - .010"	66 to * - DE, DEC
38	83083-66	GASKET, motor mounting (name correction)	66 to * - DE, DEC
39	83086-66	OIL SEAL, motor	66 to * - DE, DEC
40	83088-66	BOLT, motor mounting (4)	66 to * - DE, DEC
41	83089-66	WASHER, motor mounting (4)	66 to * - DE, DEC

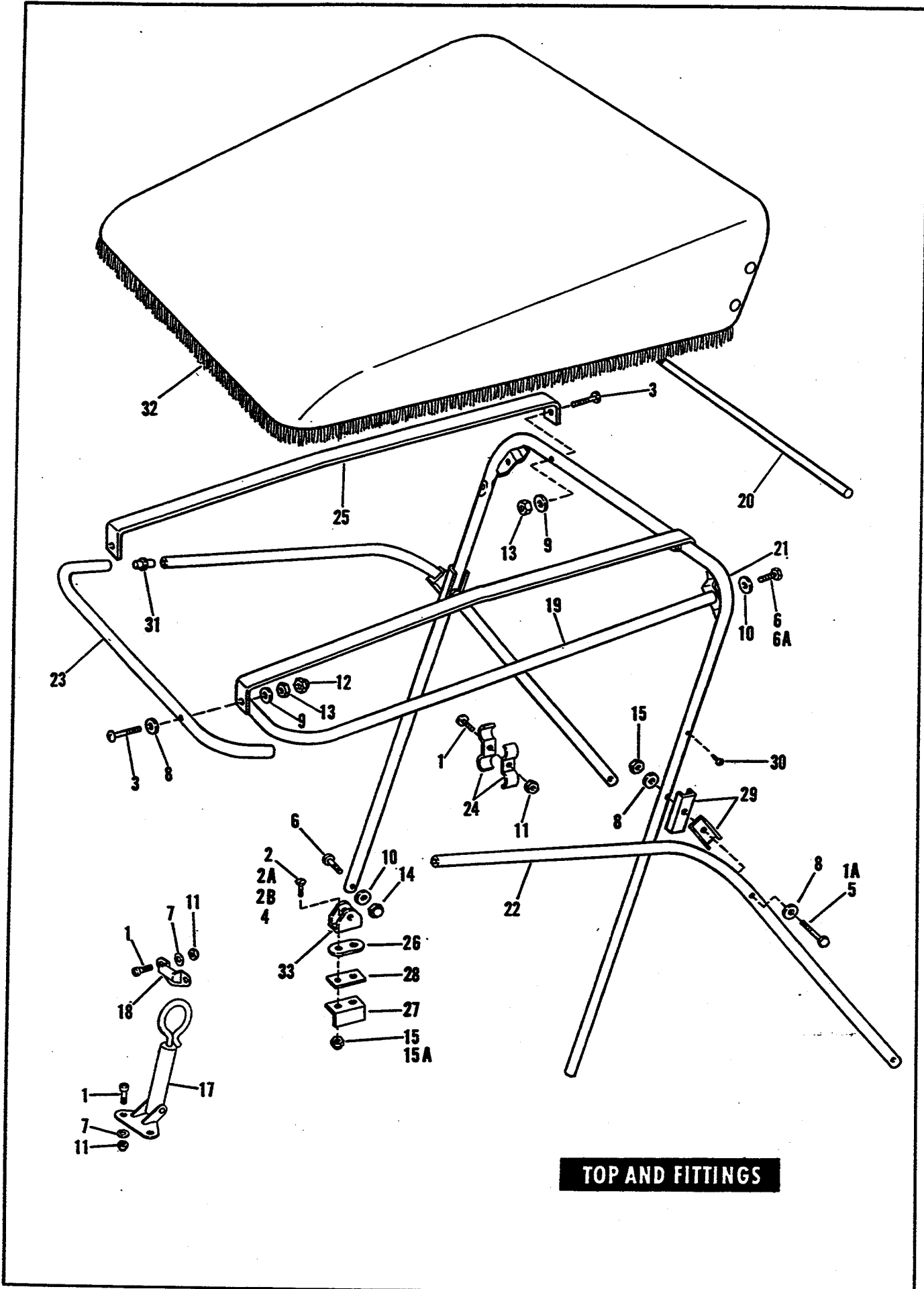
NOTE: Asterisk (\*) indicates part is used for latest model year shown on cover.



## REAR AXLE AND DIFFERENTIAL

INDEX NO.	PART NO.	NAME	USED ON
1	559	COTTER PIN, 1/8 x 1-1/4 (2)	63 to * - DE, DEF, DEC
2	4289	BOLT, 3/8-24 x 3/4 hex. hd. (4)	63 to 65 - DE, DEF, DEC
2A	7041	LOCKWASHER, axle tube flange, 5/16 (8)	63 to * - DE, DEF, DEC
3	41204-63A	KEY, axle shaft (2)	63 to * - DE, DEF, DEC
	82806-63A	REAR AXLE ASSEMBLY, complete	63 to 65 - DE, DEF, DEC
4	82806-66A	REAR AXLE ASSEMBLY, complete	66 to * - DE, DEC
5	82811-63	DIFFERENTIAL ASSEMBLY, complete	63 to 65 - DE, DEF, DEC
	82812-66	DIFFERENTIAL ASSEMBLY, complete	66 to * - DE, DEC
6	82814-63	DIFFERENTIAL SIDE GEAR AND PARTS KIT	63 to * - DE, DEF, DEC
7	82819-63	GEAR CARRIER HOUSING AND TUBE ASSEMBLY	63 to 65 - DE, DEF, DEC
8	82821-63	AXLE HOUSING COVER, with plug	63 to 65 - DE, DEF, DEC
	82821-66	AXLE HOUSING COVER, with plug	66 & 67 - DE, DEC
	82821-68	AXLE HOUSING COVER, with plug	68 to * - DE, DEC
9	82844-63	CUP, differential bearing (2)	63 to * - DE, DEF, DEC
10	82872-63	AXLE SHAFT, right, 16-7/8"	63 to * - DE, DEF, DEC
11	82874-63	AXLE SHAFT, left, 18-7/16"	63 to * - DE, DEF, DEC
12	82901-63	SPACER, axle shaft	63 to * - DE, DEF, DEC
12A	82947-66	DRIVE GEAR, differential	66 to * - DE, DEC
13	82949-63	MATCHED PINION AND GEAR, with nut	63 to 65 - DE, DEF, DEC
14	83032-63	SHIM, pinion bearing adjusting - .003"	63 to 65 - DE, DEF, DEC
	83033-63	SHIM, pinion bearing adjusting - .005"	63 to 65 - DE, DEF, DEC
	83034-63	SHIM, pinion bearing adjusting - .010"	63 to 65 - DE, DEF, DEC
	83035-63	SHIM, pinion bearing adjusting - .030"	63 to 65 - DE, DEF, DEC
15	83040-63	PLUG, differential cover	63 to 65 - DE, DEF, DEC
	83041-66	PLUG, differential cover	66 to * - DE, DEC
16	83051-63	OIL SEAL, pinion	63 to 65 - DE, DEF, DEC
17	83052-63	GASKET, pinion oil seal	63 to 65 - DE, DEF, DEC
18	83053-63	SPACER, pinion bearing	63 to 65 - DE, DEF, DEC
19	83062-63	SHIM, wheel bearing adjusting - .005"	63 to * - DE, DEF, DEC
	83063-63	SHIM, wheel bearing adjusting - .010"	63 to * - DE, DEF, DEC
	83064-63	SHIM, wheel bearing adjusting - .030"	63 to * - DE, DEF, DEC
20	83072-63	SHIM, pinion cup adjusting - .003"	63 to 65 - DE, DEF, DEC
	83073-63	SHIM, pinion cup adjusting - .005"	63 to 65 - DE, DEF, DEC
	83074-63	SHIM, pinion cup adjusting - .010"	63 to 65 - DE, DEF, DEC
21	83096-63	SHIM, differential bearing - .003"	63 to * - DE, DEF, DEC
	83097-63	SHIM, differential bearing - .005"	63 to * - DE, DEF, DEC
	83098-63	SHIM, differential bearing - .010"	63 to * - DE, DEF, DEC
	83099-63	SHIM, differential bearing - .030"	63 to * - DE, DEF, DEC
22	83100-63	CUP, wheel bearing (2)	63 to * - DE, DEF, DEC
23	83102-63	CONE WITH ROLLERS, wheel bearing (2)	63 to * - DE, DEF, DEC
24	83103-63	LOCK PIN, pinion mate shaft	63 to 65 - DE, DEF, DEC
25	83104-63	PINION MATE SHAFT	63 to * - DE, DEF, DEC
26	83105-66	LOCK PIN, pinion mate shaft	66 to * - DE, DEC
27	83106-63	BOLT, drive gear (10)	63 to * - DE, DEF, DEC
28	83108-63	PINION NUT	63 to 65 - DE, DEF, DEC
29	83111-63	CONE WITH ROLLERS, differential bearing (2)	63 to * - DE, DEF, DEC
30	83112-63	CUP, pinion bearing (2)	63 to 65 - DE, DEF, DEC
31	83113-63	COVER GASKET	63 to 65 - DE, DEF, DEC
	83113-66	COVER GASKET	66 to * - DE, DEC
32	83115-63	SCREW WITH LOCKWASHER (9)	63 to * - DE, DEF, DEC
34	83118-63	NUT, axle tube flange (8)	63 to * - DE, DEF, DEC
35	83119-63	BOLT, axle tube flange (8)	63 to * - DE, DEF, DEC
36	83120-63	CONE WITH ROLLERS, pinion bearing (2)	63 to 65 - DE, DEF, DEC
37	83131-63	NUT, axle shaft (2)	63 to * - DE, DEF, DEC
38	83132-63	DRIVE PINION YOKE	63 to 65 - DE, DEF, DEC
39	83133-63	WASHER, pinion nut	63 to 65 - DE, DEF, DEC
40	83134-63	OIL SLINGER, pinion	63 to 65 - DE, DEF, DEC
41	83162-63	OIL SEAL, axle end (2)	63 to * - DE, DEF, DEC
42	83163-63A	OIL SEAL, axle tube (2)	63 to * - DE, DEF, DEC
43	83165-63	RETAINER, wheel bearing	63 to * - DE, DEF, DEC

NOTE: Asterisk (\*) indicates part is used for latest model year shown on cover.



**TOP AND FITTINGS**

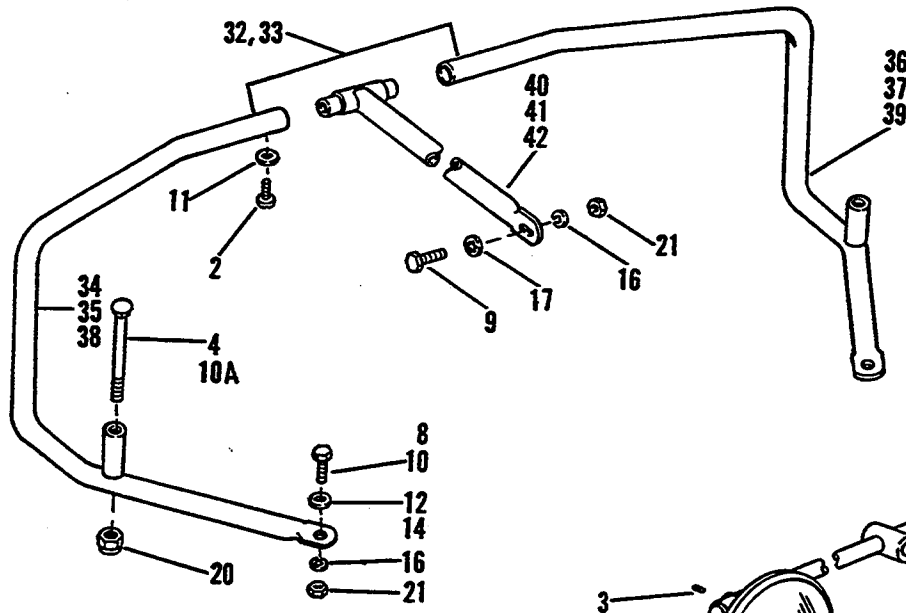


# TOP AND FITTINGS

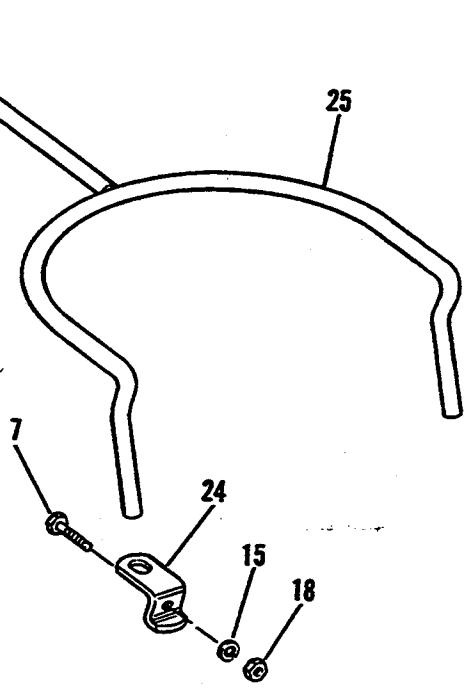
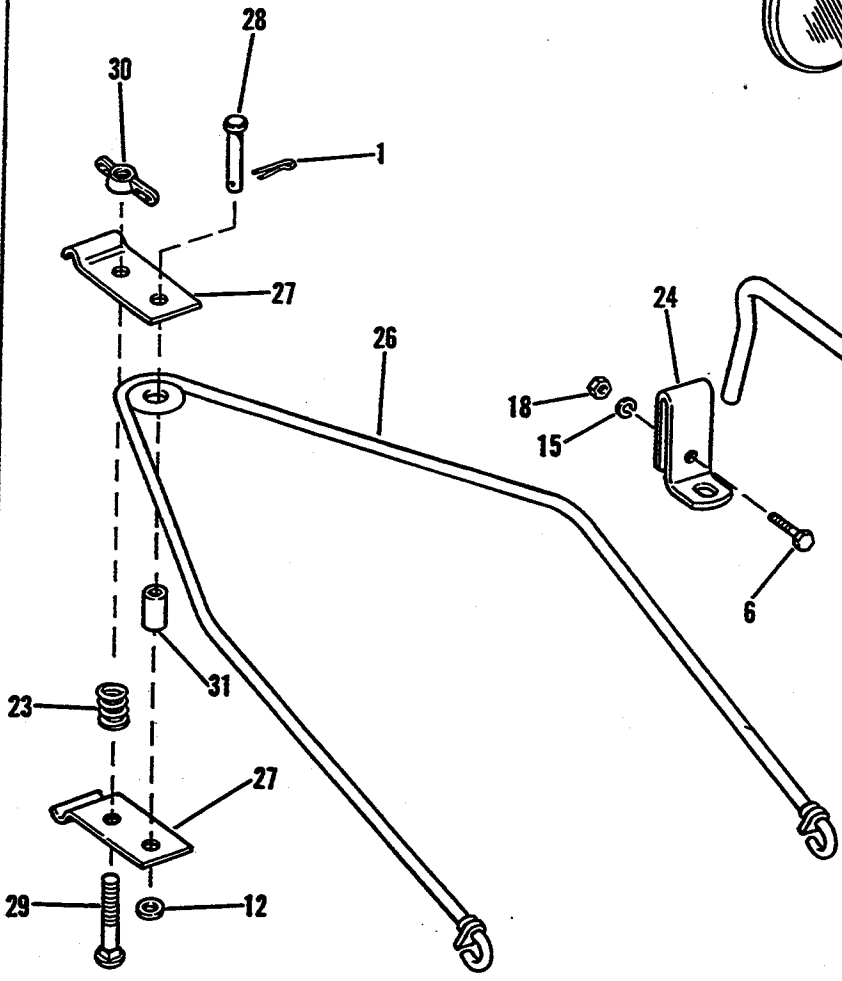
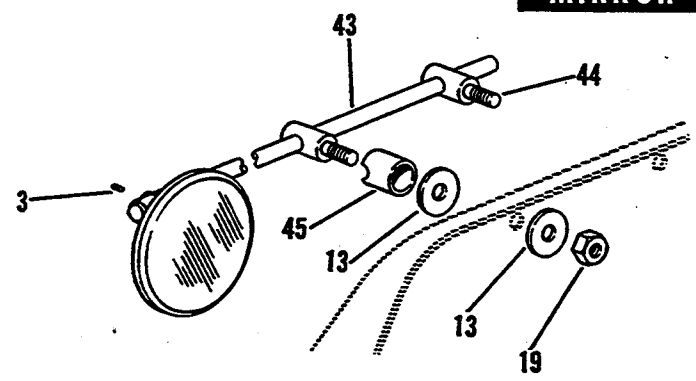
INDEX NO.	PART NO.	NAME	USED ON
1	1210HW	SCREW, No. 10-32 x 5/8 fil. hd. (4)	65 to * - DE
1A	1370W	SCREW, 1/4-20 x 2-5/16 Phil. hd. (2)	Late 64 to * - DE
2	1872W	SCREW, 1/4-20 x 5/8 ctsk. hd. (8)	63 & Early 64 - DE
2A	2336	SCREW, 1/4-20 x 1-1/8 ov. hd. (8)	66 to Early 69 - DE
2B	2413W	SCREW, mounting bracket, 5/16-24 x 7/8 fil. hd. (8)	Late 69 to * - DE
3	2742W	SCREW, No. 12-24 x 2 rd. hd. (8)	63 to * - DE
4	2776W	SCREW, 1/4-20 x 7/8 ctsk. hd. (8)	Late 64 & 65 - DE
5	2799W	SCREW, 1/4-28 x 1-3/4 rd. hd. (2)	63 & Early 64 - DE
6	2812W	SCREW, 1/4-28 x 1-1/4 rd. hd. (6)	63 to * - DE
6A	3742W	SCREW, upper reinf. tube, 1/4-28 x 5/8 hex. hd. (2)	Late 68 to * - DE
7	6182W	WASHER, No. 10 x 7/16 x 1/32 (6)	65 to * - DE
8	6218W	WASHER, 1/4 x 7/16 x 1/32 (4)	63 to * - DE
9	7121	LOCKWASHER, No. 12 int. tooth (6)	63 to * - DE
10	7124	LOCKWASHER, 1/4 int. tooth (6)	63 to * - DE
11	7626W	LOCK NUT, No. 10-32 (4)	63 to * - DE
12	7651	ACORN NUT, No. 12-24 (4)	63 to * - DE
13	7654W	NUT, No. 12-24 x 5/32 x 7/16 hex. (6)	63 to * - DE
14	7679	ACORN NUT, 1/4-28 (4)	63 to * - DE
15	7686	LOCK NUT, 1/4-20 (10)	63 to * - DE
15A	7725	LOCK NUT, 5/16-24 (8)	Late 69 to * - DE
	89395-69	TOP ASSEMBLY, with fittings (less fringe)	63 to * - DE
	89400-63D	TOP ASSEMBLY, with fittings (with fringe)	63 to * - DE
17	89402-65	BODY HOLD DOWN FASTENER	63 to * - DE
18	89403-65	CATCH, hold down fastener	63 to * - DE
19	89407-63	UPPER REINFORCEMENT TUBE (2)	63 to * - DE
20	89408-63	STIFFENER DOWEL	63 to 65 - DE
21	89410-65A	REAR SUPPORT TUBE	64 to * - DE
22	89412-63	SIDE SUPPORT TUBE (2)	63 - DE
	89412-64	SIDE SUPPORT TUBE (2)	64 & Early 65 - DE
	89412-65	SIDE SUPPORT TUBE (2)	Late 65 to Early 68 - DE
	89412-68	SIDE SUPPORT TUBE (2)	Late 68 to * - DE
23	89416-63A	FRONT TUBE	63 to * - DE
24	89417-68	CLAMP, side support (4)	Late 68 to * - DE
25	89418-63	TOP STRAP (2)	63 to * - DE
26	89419-65A	REINFORCEMENT PLATE (4)	Late 65 to * - DE
27	89420-63	REINFORCEMENT PLATE (4)	63 & Early 64 - DE
	89420-64	REINFORCEMENT PLATE, (4)	Late 64 & Early 65 - DE
	89420-65A	REINFORCEMENT PLATE (4)	Late 65 to * - DE
28	89421-65	RUBBER PAD, body (4)	Late 65 to * - DE
29	89423-64	REINFORCEMENT, side supports (4)	63 to * - DE
30	89424-63	SNAP STUD (2)	63 to * - DE
31	89426-63	CONNECTING PLUG (2)	63 to 65 - DE
	89426-65	CONNECTING PLUG (2)	66 to * - DE
32	89428-63B	TOP COVERING, with fringe	63 to * - DE
	89429-63	TOP COVERING, less fringe	63 to * - DE
33	89432-63A	MOUNTING BRACKET (4)	63 to * - DE

Whole frame assy  
 obsolete.  
 per K. Dooper. 1-21-86

**FRONT BUMPER**



**MIRROR**



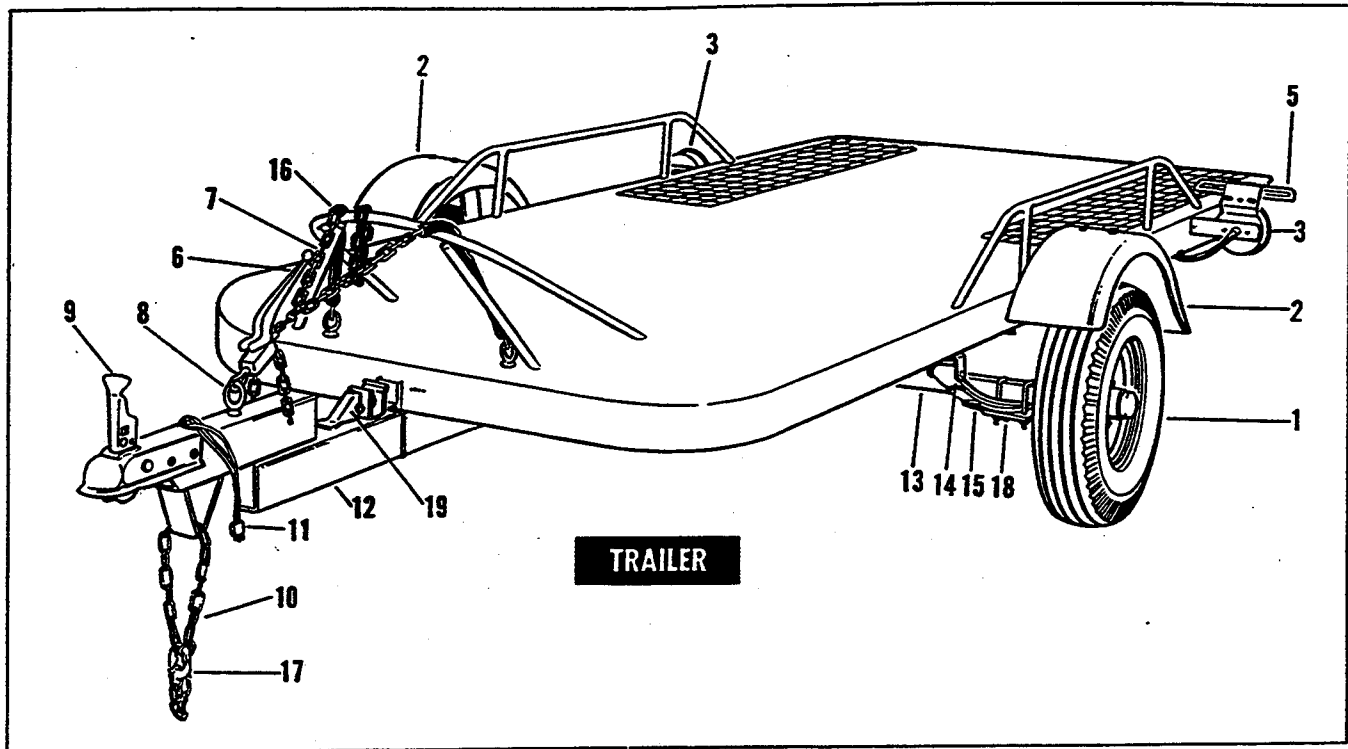
**TOW BAR-1970 AND LATER**

**TOW BAR-1969 AND EARLIER**

# FRONT BUMPER, TOW BAR, MIRROR

INDEX NO.	PART NO.	NAME	USED ON
1	534	COTTER PIN, tow bar bracket pin .....	70 to * - DE
2	2764W	SCREW, 1/4-20 x 5/8 self-tapping Phil. hd. (2) .....	63 to * - DE, DEF, DEC
3	3233	SET SCREW, 1/4-28 .....	65 to 70 - DEF, DEC
4	3845	CARRIAGE BOLT, bumper hold down 3/8-16 x 5-1/4 (2) .....	Early 70 - DE, DEC
6	4012	BOLT, 5/16-24 x 1-1/8 hex. hd. (2) .....	63 to 69 - DE, DEF
7	4042HW	BOLT, 5/16-24 x 1-7/8 hex. hd. ....	63 to 69 - DE, DEF
8	4320B	BOLT, 3/8-24 x 1 hex. hd. (3) .....	63 to 69 - DE, DEF, DEC
9	4336W	BOLT, 3/8-24 x 1-1/8 hex. hd. ....	63 to * - DE, DEF, DEC
10	4337W	BOLT, 3/8-24 x 1-1/4 hex. hd. (2) .....	70 to * - DE, DEC
10A	4376W	BOLT, 1/2-20 x 15/16 hex. hd. (2) .....	Late 70 to * - DE, DEC
11	6220W	WASHER, 1/4 x 7/16 x 1/32 (2) .....	70 to * - DE, DEC
12	6388W	WASHER, 3/8 x 3/4 x 1/16 (4) .....	70 to * - DE, DEC
13	6415W	WASHER, 3/8 x 1-1/8 x 3/32 (4) .....	63 to 70 - DEF, DEC
14	6418B	WASHER, 3/8 x 1-1/8 x 11/64 (as required) .....	68 to * - DE, DEC
15	7041	LOCKWASHER, 5/16 (3) .....	63 to 69 - DE, DEF, DEC
16	7045	LOCKWASHER, 3/8 (3) .....	63 to * - DE, DEF, DEC
17	713UW	LOCKWASHER, 3/8 int. tooth (ground strap) .....	63 to 70 - DEC
18	7753	NUT, 5/16-24 (3) .....	63 to 69 - DE, DEF
19	7776W	LOCK NUT, 3/8-24 (2) .....	65 to 70 - DEF, DEC
20	7778	NUT, 3/8-16 (2) .....	Early 70 - DE, DEC
21	7800W	NUT, 3/8-24 (3) .....	63 to * - DE, DEF, DEC
23	73074-61	SPRING, tow bar bracket .....	70 to * - DE
24	82003-65	SET OF TOW BAR BRACKETS, with fittings .....	63 to 69 - DE
25	82009-65	TOW BAR, only .....	63 to 69 - DE
26	82009-70	TOW BAR ASSEMBLY, complete .....	70 to * - DE
27	82011-70	BRACKET, tow bar (2) .....	70 to * - DE
28	82012-70	PIN, tow bar bracket .....	70 to * - DE
29	82013-70	CARRIAGE BOLT, tow bar bracket .....	70 to * - DE
30	82014-70	WING NUT, tow bar bracket bolt .....	70 to * - DE
31	82015-70	SPACER, tow bar bracket pin .....	70 to * - DE
32	91070-63A	FRONT BUMPER ASSEMBLY, complete .....	63 to 69 - DE, DEF, DEC
33	91070-70	FRONT BUMPER ASSEMBLY, complete .....	70 to * - DE, DEC
34	91071-68	BUMPER, left .....	68 & 69 - DE, DEC
35	91071-70	BUMPER, left .....	70 to * - DE, DEC
36	91072-68	BUMPER, right .....	68 & 69 - DE, DEC
37	91072-70	BUMPER, right .....	70 to * - DE, DEC
38	91075-63	BUMPER, left .....	63 to 67 - DE, DEF, DEC
39	91076-63	BUMPER, right .....	63 to 67 - DE, DEF, DEC
40	91082-63A	CENTER SUPPORT, front bumper .....	63 to 67 - DE, DEF, DEC
41	91083-68	CENTER SUPPORT, front bumper .....	68 & 69 - DE, DEC
42	91083-70	CENTER SUPPORT, front bumper .....	70 to * - DE, DEC
43	91872-65B	REAR VIEW MIRROR, with fittings .....	65 to 70 - DEF, DEC
44	91887-48	EYE BOLT, rear view mirror (2) .....	65 to 70 - DEF, DEC
45	91890-48	COLLAR, eye bolt (2) .....	65 to 70 - DEF, DEC

NOTE: Asterisk (\*) indicates part is used for latest model year shown on cover.



**TRAILER**

INDEX NO.	PART NO.	NAME	USED ON
	48300-60	WHEEL BEARING ASSEMBLY (4)	63 to * - DE, DEF, DEC
	68165-64	BULB, tail lamp (2)	63 to * - DE, DEF, DEC
	89000-63V	GOLF CAR TRAILER, complete	63 to * - DE, DEF, DEC
1	89009-63	WHEEL ASSEMBLY, with tire & tube	63 to * - DE, DEF, DEC
	89018-63	WHEEL LUG BOLT (8)	63 to * - DE, DEF, DEC
	89020-63	DUST CAP, wheel hub (2)	63 to * - DE, DEF, DEC
	89021-63	AXLE NUT (2)	63 to * - DE, DEF, DEC
	89022-63	WHEEL HUB (2)	63 to * - DE, DEF, DEC
	89023-63	COTTER PIN, axle nut (2)	63 to * - DE, DEF, DEC
	89024-63	SEAL, wheel hub (2)	63 to * - DE, DEF, DEC
2	89030-63	FENDER (2)	63 to * - DE, DEF, DEC
	89032-63	FENDER MOUNTING BOLT (4)	63 to * - DE, DEF, DEC
	89034-63	NUT, fender bolt (4)	63 to * - DE, DEF, DEC
	89036-63	WASHER, fender bolt (4)	63 to * - DE, DEF, DEC
3	89040-63A	TAIL LAMP ASSEMBLY (2)	63 to * - DE, DEF, DEC
	89043-67	LENS, tail lamp (2)	63 to * - DE, DEF, DEC
5	89045-63	LICENSE PLATE BRACKET	63 to * - DE, DEF, DEC
	89047-67	OUTLOOK LENS, tail lamp (2)	67 to * - DE, DEF, DEC
6	89050-63	TIE-DOWN TENSIONER	63 to * - DE, DEF, DEC
7	89052-63	TIE-DOWN CHAIN (2)	63 to * - DE, DEF, DEC
8	89054-63	EYE BOLT, tie-down	63 to * - DE, DEF, DEC
9	89060-63	BALL HITCH SAFETY CATCH LEVER	63 to * - DE, DEF, DEC
10	89062-63	SAFETY CHAIN, trailer (long)	63 to * - DE, DEF, DEC
11	89066-63	TRAILER WIRING HARNESS	63 to * - DE, DEF, DEC
	89067-63	TRUNK WIRING HARNESS	63 to * - DE, DEF, DEC
	89068-63	PLUG, wiring harness	63 to * - DE, DEF, DEC
12	89070-63	TRAILER TONGUE ASSEMBLY	63 to * - DE, DEF, DEC
13	89074-63	AXLE	63 to * - DE, DEF, DEC
14	89076-63	SPRING FRONT MOUNTING BOLT (2)	63 to * - DE, DEF, DEC
	89080-63	NUT, spring front bolt (2)	63 to * - DE, DEF, DEC
	89082-63	SPRING SHACKLE (2)	63 to * - DE, DEF, DEC
15	89085-63	SPRING, complete (2)	63 to * - DE, DEF, DEC
16	89087-63	SAFETY CHAIN, golf car (short)	63 to * - DE, DEF, DEC
17	89088-63	HOOK, chain connecting (2)	63 to * - DE, DEF, DEC
18	89090-63	U-BOLT, spring mounting (4)	63 to * - DE, DEF, DEC
	89092-63	NUT, spring U-bolt (8)	63 to * - DE, DEF, DEC
	89094-63	PLATE, spring U-bolt (2)	63 to * - DE, DEF, DEC
19	89098-63	TILT LATCH ASSEMBLY	63 to * - DE, DEF, DEC

# NUMERICAL INDEX

Part No.	Page	Part No.	Page	Part No.	Page	Part No.	Page	Part No.	Page
515	3		49		43	3974 HW	7		31
	5	2352	35		79		13	5482	35
	7	2402 W	69	2791 W	37		31		43
	9	2404 B	37		43		33	5486 W	35
	13	2410 W	31		63		35		43
	26	2413 W	79	2793 B	13		37		45
	31	2437 W	39		63		49	5903	43
534	11	2440 W	31		65		57	5914 B	69
	81	2544 W	26	2797 B	13		58	5919	25
559	17	2555 W	63	2798 W	13	3984 W	3	5924 W	9
	19	2570 W	63	2799 W	63	3986	26	5927	21
	23	2575 W	59		79		41		26
	77	2586	45	2812 W	67	3991	3		29
610	3		63		69		41		31
990 W	73	2620	65		79		75	5929	25
1063 W	69	2626 W	65	2824 W	39	3996	13	5930 W	63
1066 W	43	2629	65	2836 W	45	4005 W	25	5931 B	65
1074 W	69		69	2843	33	4010	39	5935	45
1078 W	25	2630 W	31	3002 W	33	4012	26	5947 W	33
	35		37		35		29		57
	43	2631	58	3202 W	26		31	5957 W	45
1183	59	2632 W	46	3233	13		81	5966 W	63
1199 B	65		73		75	4014 W	31	6030 W	25
1202 W	45	2634 W	49		81	4017	41		26
	65	2635 W	45	3239 W	13	4019 B	13		45
	69		49		19	4020 W	23	6075 W	26
1207 W	65	2638 W	37	3550	25		57		53
1210 HW	79	2639 W	69	3560 W	39	4036	7		59
1357 W	26		73	3625	65	4041 W	17		63
	31	2643	25	3669 W	5	4042 HW	9	6102	25
1369	33		45		69		81		35
	67	2669 W	59	3728	26	4060 W	9		37
1370 W	79	2672 B	63		45		13		43
1375	33	2676 C	39		57	4062 W	13		45
1420	45	2676 W	25		59	4065	13		49
1661 B	39	2679 W	25	3738	57	4072	13	6107 B	33
	67		63		65	4289	77		39
1719 W	25	2681 W	73	3741	65	4293	13	6150 W	5
	39	2682	25	3742 W	35	4320 B	21	6165 W	3
	45	2684 W	25		79		23		46
1761 W	33		69	3767 B	13		81		63
	41	2685 W	5		58	4323	13	6180	53
1762 W	37	2686	5	3787	35	4336 W	65	6182 W	33
1763 W	63		63		37		81		39
1764 W	5		67		45	4337 W	17		45
1768 W	3		69	3791	69		19		73
1769 W	63	2731 W	25	3794 W	25		69		79
1770 W	63	2742 W	79	3802 W	57		81	6186	25
1872 W	37	2758	33		69	4370 HB	5	6187 W	3
	79	2761 W	33	3825	63	4376 W	81		5
2065 W	25	2763	67	3840	26	4380 W	45		37
	45	2764 W	9	3841 B	31	4411	17		39
2073 W	25		81	3845	81		19		45
	58	2765 W	37	3855 B	23	4427 W	5		69
	73	2766 W	33	3874 B	45		9	6189 W	25
2336	26		41	3940	21	4434 W	26		37
	31		45	3944 W	57	5405 B	26		39
	35	2769 W	33	3953 B	26	5406 B	26		45
	37	2772	46	3956	26	5420 B	69		49
	45		59		41	5422 B	69		53
	79		69	3959	26	5425 W	39		55
2345	37	2776 W	35	3960 W	21	5450 C	29		58

# NUMERICAL INDEX

Part No.	Page	Part No.	Page	Part No.	Page	Part No.	Page	Part No.	Page
	73		81		65	7238	71		63
6218 W	17	6395 B	13		69	7315	63		69
	19	6415 W	3		75	7564	28		71
	79		81		77	7572 W	28	7685	13
6220 W	9	6418 B	21		81	7590	63		28
	81		81	7045	13		67	7686	28
6228 W	35	6440 B	26		21	7591 W	53		31
	43	6565 W	3		23		63		35
	45	6568 B	26		59		65		45
	57	6605 B	41		71	7607 B	23		79
	59	6678 W	26		81	7608	37	7688	39
	67		37	7056	23		46		45
	69	6681	26	7060	26		73		57
6240 B	31	6714 W	21		41	7609 W	25		58
	37	6722 B	11	7112	53		39		59
6242 W	5	6768	73		65		45		63
	39	6801 B	21	7115	31		69		65
	45	6807 W	65		37	7613 A	25		67
	58		73		46		39		69
	65	6810 B	21		63	7620 W	25		71
6245 B	37	7005	25		65		37		73
	63	7010	63		71		59	7689 W	37
6253 W	21		67		73		63		43
	45	7015	53	7118	59		65		69
	51		55		63		67	7704	45
	63		65		65		69	7725	7
6255 B	26	7021	3		67	7622	21		9
	33		25		69	7624	3		33
	35		65		71		5		79
	45		67		73		33	7727	13
6257 W	69	7025 W	25	7121	65		41		28
6261	33		37		79	7626 W	25		37
	35		63	7124	25		45		41
	41		69		45		71	7728	13
	45	7030 W	41		59		79	7729	13
6310 B	57	7036	13		63	7631 W	46	7735 W	28
6316 W	13		26		65	7638	3		29
	49		31		69		25		31
	57		35		79		65	7736	31
	69		37	7127	26		67	7737 W	31
6319 HW	3		39		29		69		35
	5		43		31		71		43
	29		45		33	7639 B	3	7739	3
	33		57		67	7651	79		29
	37		58	7130 W	65	7654 W	65		31
	45		59		81		79	7744	9
	75		63	7138	65	7676	19		71
6321 H	13		65	7145 W	13		65	7748 W	13
6322 B	3		67	7146	65		67		25
6327 B	25		69	7148 W	71		69		28
6329 W	21	7041	13	7149	73	7677	65		37
	31		17	7206 W	26	7679	79		39
	37		25	7229 W	43	7682	35		41
6332 B	26		31	7230	33		45		45
6338 HB	69		33		41		65		71
6341 B	3		37		45	7683	21		75
	25		39		69		28	7753	5
	31		41		71		31		17
6375 B	5		45		73		33		23
	7		49	7232	26		35		39
	63		57		41		45		49
6388 W	21		58		71		59		57

# NUMERICAL INDEX

Part No.	Page	Part No.	Page	Part No.	Page	Part No.	Page	Part No.	Page
	58		73	40512-66	3	42269-30	9	45589-70	19
	65	10010	28	40512-68	3	42326-66	9	45593-63	17
	67	10016	7	40516-63	3	42404-66	9	45593-70	19
	81		9	40516-68	3	42405-63A	5	45594-63	17
7775	5		25	40518-63	3	42405-66B	5	45594-70	19
	21		59	40518-68	3	42414-66	9	45595-63	17
	28	10017	59	40522-63	3	42479-63A	5	45599-63	17
7776 W	81	10019	59		63	42482-63	5		19
7778	81		67	40954-65	11	42483-63	5	45599-70	19
7783	13	10021	49	40955-65	11	42488-63B	5	45630-63	17
	59	11000	5	40956-66A	11	42490-67	5	45630-70	19
	71	11012	3	40957-69B	11	42494-63B	5	45632-70	19
7789	45	11031	75	40964-66B	11	42501-67	5	45736-47	17
7800 W	21	11032	21	40965-66B	11	42502-63	5	46047-70	19
	23	11036	7	40966-65	11	42502-66	5	46049-63A	17
	81	11104	5	40971-71	11	42574-69	9		19
7867 W	23		9	40972-71	11	42575-69	9	46201-52	17
7908	23	11411	71	40974-71	11	42576-69A	9		19
	28	11412	45	41024-63	11	43016-66	11	47018-63	28
	41	11417	31	41024-66	11	43017-63	11	47018-66	28
7914	71	12009	17	41024-71	11	43017-66A	11	47018-67A	28
7947 W	11		19	41199-63	11	43035-66A	11	47018-70A	28
	17	17483-57	63	41199-66A	11	43152-63	11	47019-65	28
	19	17483-67	63	41204-63A	11	43152-66	11	47019-66A	28
7993	21	17485-71	63		77	43156-63	11	47019-69	28
7995	23	25451-47	45	41405-66A	15	43158-65	11	47019-70	28
8104	39		69	41421-63A	13	43486-65	11	47300-66A	28
8110	21	29632-62	43	41421-64A	13	43490-63	11	47461-66A	28
8115 B	25	30227-47	49	41424-63	13	43490-65	11	47524-66	28
8119 W	43	30460-32	45	41576-36	75	43493-65	11	47740-63A	5
	69	31067-63	29	41635-69	7	43600-63	11	47740-66A	5
8121	25	31400-67B	25	41640-69	7	43600-65	11	47741-63	5
8126	39	31401-67A	25	41641-69	7	43614-63	11	47744-63A	13
8127	65	31402-63A	25	41653-69	7	43614-66A	11	47744-66	13
8129 B	25	31403-64A	25	41657-69	15	43732-63	11	47745-63	13
8131 W	25	31404-63	25	41659-69	15	43733-47	51	47745-66	13
	45	31405-65A	33	41665-66	15	43738-63	11	47745-67	13
8315	58	31405-70	33	41666-66	9	43874-63A	11	47746-66	13
8321	25	31406-67	25	41712-66	9	43874-65	11	47748-67	13
8641 B	39	31407-67	25	41723-66	15	43874-70	11	47749-67A	75
8689	39	31408-63	25	41728-63	13	44909-63	29	48300-60	82
8690	53	31410-63	25	41732-66	15	44911-63	29	48360-47	17
	55	31411-65	33	41733-66	15	44912-63	37	49404-61	28
	58	31413-63	25	41739-66	15	44913-63A	29	50110-69	58
8692	39	31414-63	25	41747-66	15	44914-63	29	50116-69A	58
8854	17	31415-67	25	41755-66	9	44915-63A	29	50125-66	28
8858	13	31416-63	25	41756-66	9	44917-63	29	50199-65	41
9033	11	31417-67	25	41757-66	9	45525-63A	17	50209-63A	25
9045	19	31418-67	25	41758-66	9	45526-67A	17	50209-65	25
9902	73	31419-67	25	41759-66	9	45526-70	19	50209-66	25
9914	59	31420-67	25	41763-66	15	45528-70	19	50218-63	25
9916	59	31496-67	75	41810-63A	13	45577-70	19	50221-66A	45
9918	59	32578-66	45	41810-64	13	45577-71	19	50222-66A	45
9925	59	33874-41	5	41811-63B	13	45581-67A	21	50224-71	45
9933	59	36393-63	13	41811-64	13	45584-63C	21	50240-66	28
9936	59	38078-47	13	41812-64A	13	45586-63	17	50241-67	39
9954	73	38712-68	53	41832-66	15	45586-70	19	50242-66A	41
9958	45		55	41834-59	5	45587-63	17	50242-69	41
9963	7	40501-63	3		9	45587-65A	17	50243-66	28
9967	57	40503-63	3	41834-67	5	45587-70	19	50243-67	28
9981	59	40504-63A	3	41841-63	13	45587-71	19	50243-69	28
9982	65	40512-63	3	41844-66	15	45588-63	17	50244-65	28

# NUMERICAL INDEX

Part No.	Page	Part No.	Page	Part No.	Page	Part No.	Page	Part No.	Page
50244-66	28	50303-66A	26	52147-66	35	57021-63B	21	58131-66	46
50244-67	28	50304-66	26	52152-66	35	57021-71	21	58132-66	46
50244-69	28		45	52157-66	35	57025-63B	21	59013-64	26
50245-69	43	50320-66	45	52159-66	35	57029-63	26	59013-66	26
50246-63	39	50325-66A	45	52161-66	35		45	59146-52	65
50247-65	43	50328-66	45	52163-66	35	57031-63	21	59598-63	39
50250-65	41	50329-66	45	52165-66	35	57032-66	45	59598-69	39
50252-63	39	50340-67	39	52167-66	35	57035-69	21	59607-64A	39
50252-69	39	50345-67A	39	52169-66	35	57063-67	23	59794-63A	39
50253-63	25	50346-67A	39	52169-67	35	57064-69	23	59794-69	39
50253-65	25	50347-69	29	52171-66B	35	57065-67	23	59845-47	35
50253-66B	25	50350-66	45	52173-66	35	57066-68	23		43
50254-63	39	50514-63C	28	52175-66A	35	57067-68	23	60000-65	71
50254-69	39	50514-67A	28	52177-66	35	57068-67	23	60031-61	39
50255-63	25	50514-70	28	52179-66A	35	57069-67	17		45
50255-65	25	50519-63A	28	52181-66A	35	57070-68	23		59
50255-66B	25	50519-67A	28	52183-66	35	57071-68	23	61135-52	67
50260-63	26	50519-70	28	52187-66	35	57072-67	23	61135-57	9
50260-66B	26	50525-64	37	52190-67	33	57073-67	23	61771-66A	26
50261-70	43	50528-67	26	52632-65A	33	57074-68	23		45
50263-63	39	50529-67A	26	52632-67	33	57075-67A	23	64000-66	26
50264-66	39	50530-63	26	52632-69	33	57075-69	23	64003-67	26
50264-67B	39	50531-63	26	52633-65A	33	57076-68	23	64004-67	26
50266-70	43	50532-63	26	52633-67	33	57077-67	23	64009-63	26
50267-64A	39	50533-63	26	52633-69	33	57078-67	23		33
50270-63A	28	50533-65A	26	52636-64	37	57078-69	23	64009-67	26
50271-65	28	50534-63	26	52637-64	37	57081-67	23	64010-67	26
50272-63	39	50534-65A	26	53470-70	31	57082-67	23	64011-67	26
50273-63	28	50536-63	26	53470-71	31	57083-67	23	64511-63	26
50274-63	39	50536-66	26	53482-63	31	57084-67	23		46
50274-65	41	50537-64	26	53486-63A	31	57085-67	23		49
50275-63	28	50537-65	26	53487-65	31	57086-67	23	66010-63	51
50275-66	28	50540-65	37	53487-70	31	57087-67	23	66017-63	51
50275-67	33	52033-66	33	53488-65	31	57088-67	23	66017-67	51
	39		41	53488-67	31	57090-67	23	66029-69	58
50276-63	39	52037-66	41	53488-70	31	57091-67	23	66030-67	58
50277-67	28	52043-64	37	53488-71	31	57980-66	45		69
50278-65	39	52045-63	33	53489-65	31	57981-66	45	66031-63	53
50278-67A	39	52046-63	33	53489-70	31	57982-66	45		65
50279-65	39	52049-63B	33	53491-65	28	57992-66	45	66032-69	53
50279-67A	39	52051-63C	33		31	58007-66A	49		55
50280-63A	39	52052-64	37	53493-71	31	58014-66	49	66035-63	53
50281-64	37	52053-64	37	53494-63	31	58015-66	49	66036-63A	53
50281-67	39	52054-65A	33	53494-65	31	58016-66	45	66037-63	53
50282-64	37	52064-66A	33	53494-67	31	58048-66	49	66038-63	53
50283-65	26	52064-67	33	53495-63A	31	58055-66	45	66039-63	53
50283-66	26	52065-66A	33	53496-67	31	58056-66	45	66039-64	53
50284-66	28	52065-67	33	53498-71	31	58061-69	49	66040-63	53
50289-65	43	52088-65A	33	54514-66	28	58066-66	49	66041-63	53
50290-65	43	52088-67	33	54524-66	28	58070-66	49	66042-63	53
50291-69	43	52106-63	33	54562-66A	28	58071-66	49	66044-63	53
50292-65	43	52107-63	33	54564-66	28	58072-66	49	66046-63	53
50293-65	43		35	57008-63	21	58073-66	49	66047-63	53
50294-65	35	52111-64	37	57010-71	21	58102-49	26	66048-63	53
	43	52113-64	37	57011-63A	21	58110-66	49	66051-63	53
50295-65	43	52114-64	37	57012-65	17	58111-66	49	66052-63	53
50296-65	43	52121-64	37		19	58112-66	49	66053-63	53
50296-69	43	52122-64	37	57012-71	19	58123-66	46	66053-65	53
50297-65	43	52134-63	33	57014-63	17	58125-66	46	66054-63	53
50298-65	43	52135-63	33		19	58126-66	46	66055-65A	53
50299-65	43	52140-64	37	57014-71	19	58128-66	46	66056-65	53
50300-65	28	52145-66A	35	57020-71	21	58130-66	46	66056-70	53



# NUMERICAL INDEX

Part No.	Page	Part No.	Page	Part No.	Page	Part No.	Page	Part No.	Page
66057-65	53	67715-59	71	70062-66	59	70306-64A	73	71471-67A	69
66058-65	53	67715-66	71	70064-63	59	70350-69	53	71475-63	65
66059-65	53	67717-65	71	70064-64	59		55	71476-66A	67
66060-65	53	67719-63	71	70064-66	59	70351-69	53	71476-67A	69
66061-65	53	67719-66	71	70066-63	59		55	71478-66A	67
66062-65	53	67721-48	71	70066-66	59	70406-67	53	71478-69	69
66063-65	53	67725-63	71	70087-64A	73	70406-69	53	71479-66	65
66063-69A	55	67730-66	71	70090-64	73		55	71481-67A	63
66064-65	53	67745-63	71	70095-63	59	70407-67	53	71481-71	63
66065-65	53	67753-63	71	70095-66	59	70407-69	53	71482-63A	63
66066-65	53	67753-66	71	70096-63	59		55	71486-65	65
66068-65	53	67765-66	71	70096-66	59	70418-61	61	71489-63	65
66317-66	51	67808-64	71	70108-63A	59	70437-67	61	71491-66	65
66387-64	51	67808-69	71	70109-63	59	70438-67	61	71496-63A	65
66430-67	57	67815-59A	71	70109-64	59	70439-67	61	71496-65	65
66434-69A	58	67826-55	46	70109-66	59	70451-67	61	71498-70	65
66435-67	57	67830-59	31	70118-69	59	70452-67	61	71499-67	65
66437-67	57	68015-65	71	70132-64	59	70453-67	61	71502-63	65
66439-67	57	68016-65	71	70132-69	59	70454-67	61	71505-64	73
66440-67	57		73	70143-69	59	70455-67	61	71506-63	63
66453-63	51	68091-60A	71	70155-66	59	70456-67	61	71506-67	63
66453-66	51		73	70172-63	63	70457-67	61	71512-63	63
66456-63	51	68094-65	71	70172-66	63	70458-67	61		65
66462-63A	51	68107-55	71	70174-66	59	70459-67	61	71513-63	63
66462-66A	51		73	70175-66	59	70460-67	61	71513-66	3
66463-63	51	68125-59A	71	70188-66	59	70461-67	61	71514-68A	63
66474-69	58		73	70193-63A	59	70462-67	61	71522-59	65
66477-69A	53	68127-65A	71	70194-63	61	70463-67	61	71523-64	65
66491-67B	57	68142-65	71	70194-66	61	70463-69	61	71524-59A	65
	58	68143-65	71	70197-63	61	70464-67A	61	71525-64	65
66492-63C	53	68145-65	71	70197-66	61	70465-67	61	71560-64	71
66493-67	53	68165-64	71	70198-63	61	70466-67	61	71625-59	65
	55		82	70198-66	61	70467-67	61	71795-63A	61
	57	68521-63	73	70199-63A	61	70468-67	61		63
	58	68529-64	73	70200-64	61	70468-71	61	71796-63	3
66495-63	53	68532-66A	73	70214-66	61	70470-67	63	71797-63	3
	55	68535-67	73	70216-66	61	70471-67	63	71798-63	3
66496-67	57	68543-64A	73	70219-66	61	70472-67A	63	71798-66A	3
	58	68552-70	73	70220-66	61	70480-68	61	71798-69A	3
66498-63	53	68564-60	73	70221-66	61	70491-63	75	71799-68	3
66500-69	55	68565-60	73	70222-66	61	70492-63	75	71820-63A	63
66501-69	55	68566-60	73	70223-66A	61	70493-63	75	71822-63	63
66502-69	55	68571-63	73	70224-66	61	70496-63	75	71822-67A	63
66503-69	55	68572-64A	73	70225-63	61	70497-63	75	71841-63	65
66504-69	55	68576-63B	73	70226-66	61	70498-63	13	71850-63	63
66505-69	55	68586-63	73	70227-63	61		75	71851-63	63
66506-69	55	69000-65	71	70228-66	61	70499-63	75	71852-63	63
66507-69	55	69033-64	71	70229-66	61	70499-66A	75	71853-63	63
66508-69	55	69035-69	71	70230-66	61	70576-68	61	72002-51	9
66509-69	55	69117-65	71	70231-66	46	70592-67	61		65
66512-69	55	69125-65	71	70234-66A	46	71019-67A	69	72004-39	66
66513-69	55	69149-65	71	70238-69	61	71021-67	69	72007-67	66
66514-69	55	70008-66	73	70239-69	61	71022-63	67	72010-39	66
67075-57A	9	70016-65A	71	70242-67	73	71023-63	65	72017-39	66
67208-65	9	70018-65A	59	70283-65	61	71023-65	65	72018-67	66
67703-65A	71	70033-63	59	70284-65	61	71026-69	69	72024-67	66
67707-66A	46	70034-63	59	70284-66	61	71027-67	69	72028-67	66
	71	70035-63	59	70286-65	61	71030-67A	69	72046-63	66
67713-59	71	70045-63	59	70287-66	61	71040-69	69	72370-66	75
67713-66	71		63	70289-65	61	71090-64	73	72371-66	75
67714-59	71	70049-64	59	70290-65	73	71470-63C	67	72372-66	75
67714-63	71	70062-63	59	70292-66	61		69	72373-66	75

# NUMERICAL INDEX

Part No.	Page	Part No.	Page	Part No.	Page	Part No.	Page	Part No.	Page
72374-66	75	83003-32	28	89020-63	82	90953-63	46		
72380-66	75	83032-63	77	89021-63	82	91070-63A	81		
72381-66	75	83033-63	77	89022-63	82	91070-70	81		
72382-66	75	83034-63	77	89023-63	82	91071-68	81		
72383-66	75	83035-63	77	89024-63	82	91071-70	81		
72384-66	75	83040-63	77	89030-63	82	91072-68	81		
72385-66	75	83041-66	77	89032-63	82	91072-70	81		
72386-66	75	83051-63	77	89034-63	82	91075-63	81		
72387-66	75	83052-63	77	89036-63	82	91076-63	81		
72388-66	75	83053-63	77	89040-63A	82	91082-63A	81		
72389-66	75	83062-63	77	89043-67	82	91083-68	81		
72390-66	75	83063-63	77	89045-63	82	91083-70	81		
72391-66	75	83064-63	77	89047-67	82	91265-58	57		
72392-66	75	83072-63	77	89050-63	82	91690-49	58		
72395-66	75	83073-63	77	89052-63	82	91810-63A	61		
73074-61	81	83074-63	77	89054-63	82	91811-63A	61		
73092-61A	5	83080-66	75	89060-63	82	91813-63	61		
	7	83081-66	75	89062-63	82	91871-66	46		
74547-638	61	83082-66	75	89066-63	82	91872-65B	81		
74547-66	61	83083-66	75	89067-63	82	91887-48	81		
74568-66	63	83086-66	75	89068-63	82	91890-48	81		
	67	83088-66	75	89070-63	82				
74570-66	63	83089-66	75	89074-63	82				
	67	83096-63	77	89076-63	82				
74593-67	67	83097-63	77	89080-63	82				
	69	83098-63	77	89082-63	82				
74857-67	69	83099-63	77	89085-63	82				
74859-67	69	83100-63	77	89087-63	82				
74861-67	69	83102-63	77	89088-63	82				
74862-67	69	83103-63	77	89090-63	82				
74873-67	69	83104-63	77	89092-63	82				
74875-67	69	83105-66	77	89094-63	82				
74885-67	63	83106-63	77	89098-63	82				
74893-67	69	83108-63	77	89395-69	79				
74894-63A	67	83111-63	77	89400-63D	79				
	69	83112-63	77	89402-65	79				
74895-63	67	83113-63	77	89403-65	79				
	69	83113-66	77	89407-63	79				
82003-65	81	83115-63	77	89408-63	79				
82009-65	81	83118-63	77	89410-65A	79				
82009-70	81	83119-63	77	89412-63	79				
82011-70	81	83120-63	77	89412-64	79				
82012-70	81	83131-63	77	89412-65	79				
82013-70	81	83132-63	77	89412-68	79				
82014-70	81	83133-63	77	89416-63A	79				
82015-70	81	83134-63	77	89417-68	79				
82806-63A	77	83162-63	77	89418-63	79				
82806-66A	77	83163-63	77	89419-65A	79				
82811-63	77	83165-63	77	89420-63	79				
82812-66	77	83566-51	9	89420-64	79				
82814-63	77	83571-51	9	89420-65A	79				
82819-63	77	83961-63A	11	89421-65	79				
82821-63	77	83962-66	11	89423-64	79				
82821-66	77	83975-37A	17	89424-63	46				
82821-68	77		19		79				
82844-63	77		46	89426-63	79				
82868-63	13	84950-63	39	89426-65	79				
82872-63	77	85210-42A	28	89428-63B	79				
82874-63	77	85213-42	28	89429-63	79				
82901-63	77	89000-63V	82	89432-63A	79				
82947-66	77	89009-63	82	90937-64	46				
82949-63	77	89018-63	82	90952-63	46				

**COLUMBIA PARCAR**  <sup>®</sup>

**Columbia PARCAR Corp.**

**350 N. Dewey Ave. • P.O. Box 30  
Reedsburg, WI. 53959**