

MASTER COPY

This is superseded by another printing with correct illustration on last page - also of correct color

Printed by Union Litho

AMF

# Harley-Davidson

## PARTS CATALOG SUPPLEMENT

## Gasoline Golf Car/Utilicar

1975  
1963 to

USE THIS SUPPLEMENT WITH CATALOG NO. 99448-73

ISSUED: OCTOBER 1974

No. 99448-75

15



### CYLINDER AND PISTON - PAGE 2 G1

NOTE: In order to install engine 16089-71 on 1967-70 cars, the following additional parts must be obtained separately:

6703	WASHER, air cleaner, 1/4 x 5/8 x 1/16	
8119W	WING NUT, air cleaner, 1/4-20	
10006	CABLE STRAP	
29046-71	MOUNTING STUD, air cleaner, 1/4-20 x 9-1/8 lg.	
29130-68A	AIR CLEANER KIT, dry type	
29139-71	DECAL, air cleaner service instructions	
6415W	WASHER (Replaced by 6416)	
6416	WASHER, 3/8 x 1 x 3/32 (4)	67 to * - D; 69 to * - DC, D4

### CRANKCASE - PAGE 7 G3

31650-69A	GROUND STRAP	63 to 66 - D, DF, DC; 67 & 68 - DC
70166-63	GROUND STRAP (Replaced by 31650-69A)	

### TRANSMISSION, PRIMARY DRIVE - PAGE 9 G4

36461-74	THRUST WASHER, needle bearing sleeve assembly	75 to * - D, D4
----------	---	-----------------

### CIRCUIT BREAKER AND FAN HOUSING - PAGE 19 G9

NOTE: In illustration on page 18, item #23 should be pictured with ring terminals instead of spade terminals.

### STARTER-GENERATOR - 1967 TO EARLY 1969 - PAGE 21 G10

NOTE: In illustration on page 20, item 30 armature is not sold separately.

### STARTER-GENERATOR - 1969 & LATER - PAGE 23 G10A

29941-69A	TENSIONER ASSEMBLY, V-belt	74 to * - D, D4
29943-74	ROD, belt tensioner - 5"	74 to * - D, D4
29944-74	ROD, belt tensioner - 4"	74 to * - D, D4
29947-74	SPRING, belt tensioner	74 to * - D, D4

### CARBURETOR - PAGE 25 G12

27248-67B	CHOKE KNOB AND WIRE, only	68 to * - DC, D4
-----------	---------------------------	------------------

### REED VALVE AND AIR CLEANER - PAGE 28 G13

NOTE: In illustration on page 29, item #54 should be 59 and item #59 should be 54.

6240B	WASHER (Replaced by 6703)	
6703	WASHER, 1/4 x 5/8 x 1/16	66 to * - D, DC, D4

### BRAKE PEDAL - DISC BRAKE - PAGE 34 G15A

47739-63	BRAKE CONTROL CABLE AND COIL ASSY.	63 to 65; 67 to * - D, D4
47740-63A	BRAKE CONTROL CABLE AND COIL (Replaced by 47739-63)	
73092-61B	CLEVIS PIN, brake cable (brake end)	63 to * - D, DC, D4

NOTE: Asterisk (\*) indicates part is used for latest model year shown on cover.

PART  
NO.

NAME

USED ON

### HAND BRAKE CONTROLS - PAGE 39 *G16A*

41631-69	CABLE ASSEMBLY (Replaced by 41632-69)	
41632-69	CABLE ASSEMBLY, hand brake	69 to 72 - DC
73092-61B	CLEVIS PIN, brake cable (brake end)	69 to 72 - DC

### WHEELS - PAGE 41 *G17*

9977	CLIP, hub cap (4)	63 to * - D, DC, D4
41024-63	HUB (Replaced by 41026-66, 43017-66B & 43152-66)	

### LOCKOUT HUB - PAGE 43 *G17A*

11079	RETAINER, axle nut	Late 73 to * - D, D4
41032-73	AXLE HUB	74 to * - D, D4
41075-73	LOCKOUT HUB ASSEMBLY, complete	Late 73 to * - D, D4

### FRONT SUSPENSION - D4 - PAGE 45 *G17B*

37584-67	STUD, stop block	72 to Early 74 - D4
43810-74	STEERING STOP KIT	72 to Early 74 - D4
	Consists of:	
	7686	LOCKNUT, 1/4-20 x 5/16 x 7/16 hex. (4)
	43811-74	STOP BLOCK, with 37584-67 studs (2)
	43812-74	CLAMP BAR (2)

### FRONT FORK - 1963 TO 1969 - PAGE 53 *G20A*

4411	BOLT, 3/8-24 x 1-3/4 hex. hd. (2) (1.45:1 ratio tiller) (correction)	Late 65 to 69 - D, DF, DC
45595-63	BEARING CONE (Replaced by 82844-63A)	
82844-63A	BEARING CONE, steering head lower	63 to 69 - D, DF, DC

### FRONT FORK - 1970 & LATER - PAGE 55 *G20B*

2828W	BOLT, fork bracket, 3/8-16 x 3 hex. hd. (2)	74 to * - D
4411	BOLT (Replaced by 4412)	
4412	BOLT, 3/8-24 x 2-1/2 hex. hd. (1.45:1 ratio tiller)	70 to * - D, DC
7778	LOCKNUT, fork bracket, 3/8-16 x 7/16 x 9/16 hex. (2)	74 to * - D
45529-74	FORK WITH BUSHINGS	74 to * - D
45652-74	BRACKET, fork	74 to * - D
57202-74	SLIDER BLOCK, tiller	74 to * - D
57203-74	CHANNEL, slider block	74 to * - D
57204-74	SPACER, guide mounting	74 to * - D

### STEERING TILLER - PAGE 57 *G21*

6809	THRUST WASHER, tiller shaft - upper	74 to * - D
57011-74	TILLER SHAFT TUBE ASSEMBLY	74 to * - D
57021-74	TILLER SHAFT	74 to * - D

### FRONT HOUSING, INSTRUMENT PANEL, FLOOR BOARDS & BEVERAGE HOLDER - D4 - PAGE 61 *G22A*

7845	NUT, 1/2-20 x 7/16 x 3/4 hex. (2)	72 to * - D4
7905	NUT (Replaced by 7845)	
88699-72A	VINYL TRIM, front housing	72 to * - D4

NOTE: Asterisk (\*) indicates part is used for latest model year shown on cover.

PART  
NO.

N A M E

USED ON

### FRAME AND REAR SUSPENSION - PAGE 65 *G23*

4012	BOLT, 5/16-24 x 1-1/8 hex. hd. (4) (correction)	63 to Early 72 - D, DF
4017	BOLT, 5/16-18 x 1 hex. hd. (4) (correction)	Late 72 to * - D, D4
6314W	WASHER, shock absorber lower bracket, 5/16 x 9/16 x 1/8 (2)	74 to * - D
6403B	SPRING WASHER, body support - lower (2)	71 to * - D, D4
6678W	WASHER, 5/16 x 1-1/2 x 3/16 (4) (not used with rear bumper)	63 to * - D, DF, D4
7740	LOCKNUT, 5/16-18 (4) (correction)	Late 72 to * - D, D4
44908-74	CUSHION, frame to body - rear (2)	74 to * - D, D4
47017-74	FRAME	74 - D
47017-75	FRAME	75 to * - D
47024-74	FRAME	74 - D4
47088-75	FRAME	75 to * - D4
50225-73	WARNING LABEL (2)	73 to * - D, D4
54513-73	SHOCK ABSORBER (2)	Late 73 to * - D, D4
54524-73	LOWER BRACKET, shock absorber	Late 73 to * - D, D4
54566-73	REAR SPRING (2)	Late 73 to * - D, D4

### REAR BUMPER - PAGE 67 *G23A*

4036	BOLT, garment box, 5/16-24 x 1-1/2 hex. hd. (2)	74 to * - D
6702	WASHER, bumper, 5/16 x 11/16 x 1/16 (8)	74 to * - D, D4
7740	LOCKNUT, bumper, 5/16-24 (12)	74 to * - D, D4
44913-74	BUMPER (2)	74 to * - D, D4

### SEAT HANDRAIL AND BEVERAGE HOLDER - PAGE 71 *G24*

52049-74	SEAT BACK CUSHION <i>(tan) ?</i>	74 to * - D, D4	<i>white - 75</i>
52051-74	SEAT BOTTOM CUSHION <i>(tan) ?</i>	74 to * - D, D4	<i>white - 75</i>
52134-72	SEAT BOTTOM CUSHION COVER	72 to * - D, D4	
52135-72	SEAT BACK CUSHION COVER	72 to * - D, D4	

### BODY - D, DF, D4 - PAGE 79 *G27*

6257W	WASHER, body trim, 9/32 x 1-3/8 x 1/16 (8)	74 to * - D, D4
7686	LOCKNUT, body trim, 1/4-20 (8)	74 to * - D, D4
8160	PUSH NUT, fuel tank filler door hinge rods (4)	75 to * - D, D4
8528W	POP RIVET, rear bumper bracket (4)	Late 74 to * - D, D4
8687	POP RIVET, fuel tank filler door (6)	75 to * - D, D4
44918-74	BRACKET, rear bumper (2)	Late 74 to * - D, D4
50252-74	BODY TRIM (2)	74 to * - D, D4
50263-74	BODY ASSEMBLY	74 to * - D, D4
50270-74	BODY REINFORCEMENT, rear	74 to * - D, D4
61300-75	BODY ASSEMBLY	75 to * - D, D4
61301-75	DOOR, fuel tank filler	75 to * - D, D4
61304-75	BENT ROD, fuel tank filler door hinge	75 to * - D, D4
61305-75	STRAIGHT ROD, fuel tank filler door hinge	75 to * - D, D4
61306-75	SPRING, fuel tank filler door	75 to * - D, D4
61307-75	NAME TRANSFER	75 to * - D, D4

### EXHAUST SYSTEM - PAGE 91 *G33*

6678W	WASHER, 5/16 x 1-1/2 x 3/16 (2)	63 to * - D, DF, DC, D4
-------	---------------------------------	-------------------------

NOTE: Asterisk (\*) indicates part is used for latest model year shown on cover.

INDEX PART  
NO. NO.

NAME

USED ON

WINDSHIELD - NEW STYLE G32A

← NOTE: This new style windshield can only be used when new style sun top is installed.

1	2612	SCREW, windshield storage clip, No. 8-32 x 1/2 Pozidriv pan hd. (2)	74 to * - D, D4
2	4036	BOLT, garment box, 5/16-24 x 1-1/2 hex. hd. (2)	74 to * - D
3	5965B	SPACER, pivot bushing (2)	74 to * - D, D4
4	6150W	WASHER, garment box rivet, No. 10 x 3/8 x 1/16 (6)	74 to * - D
5	6266	WASHER, garment box - outer, 5/16 x 7/8 x 1/8 rubber (2)	74 to * - D
6	7015	LOCKWASHER, windshield storage clip, No. 8 (2)	74 to * - D, D4
7	7608	NUT, windshield storage clip, No. 8-32 x 1/8 x 5/16 hex. (2)	74 to * - D, D4
8	7725	LOCKNUT, 5/16-24 (2)	74 to * - D
9	8212	POP RIVET (8)	74 to * - D, D4
10	8528W	POP RIVET, garment box clip (3) retainer (2)	74 to * - D, D4
11	8685	POP RIVET, garment box (6)	74 to * - D
12	40522-63	PIVOT BUSHING, windshield (2)	74 to * - D, D4
	58011-74	WINDSHIELD ASSEMBLY	74 to * - D
13	58012-74	WINDSHIELD	74 to * - D, D4
	58013-74	WINDSHIELD ASSEMBLY	74 to * - D4
14	58032-74	REINFORCEMENT, garment box - front (2)	74 to * - D
15	58034-74	REINFORCEMENT	74 to * - D, D4
16	58044-74	RETAINER	74 to * - D4
17	58054-74	STRIP, front	74 to * - D, D4
18	58059-74	BRACKET, upper left	74 to * - D, D4
19	58060-74	BRACKET, upper right	74 to * - D, D4
20	58103-74	GARMENT BOX ASSEMBLY	74 to * - D
21	58105-74	CLIP, windshield storage (2)	74 to * - D, D4
22	58108-74	TAPE, windshield (2)	74 to * - D, D4
23	58174-74	TRIM STRIP, garment box	74 to * - D
24	58175-73	CLIP, garment box (3)	73 to * - D

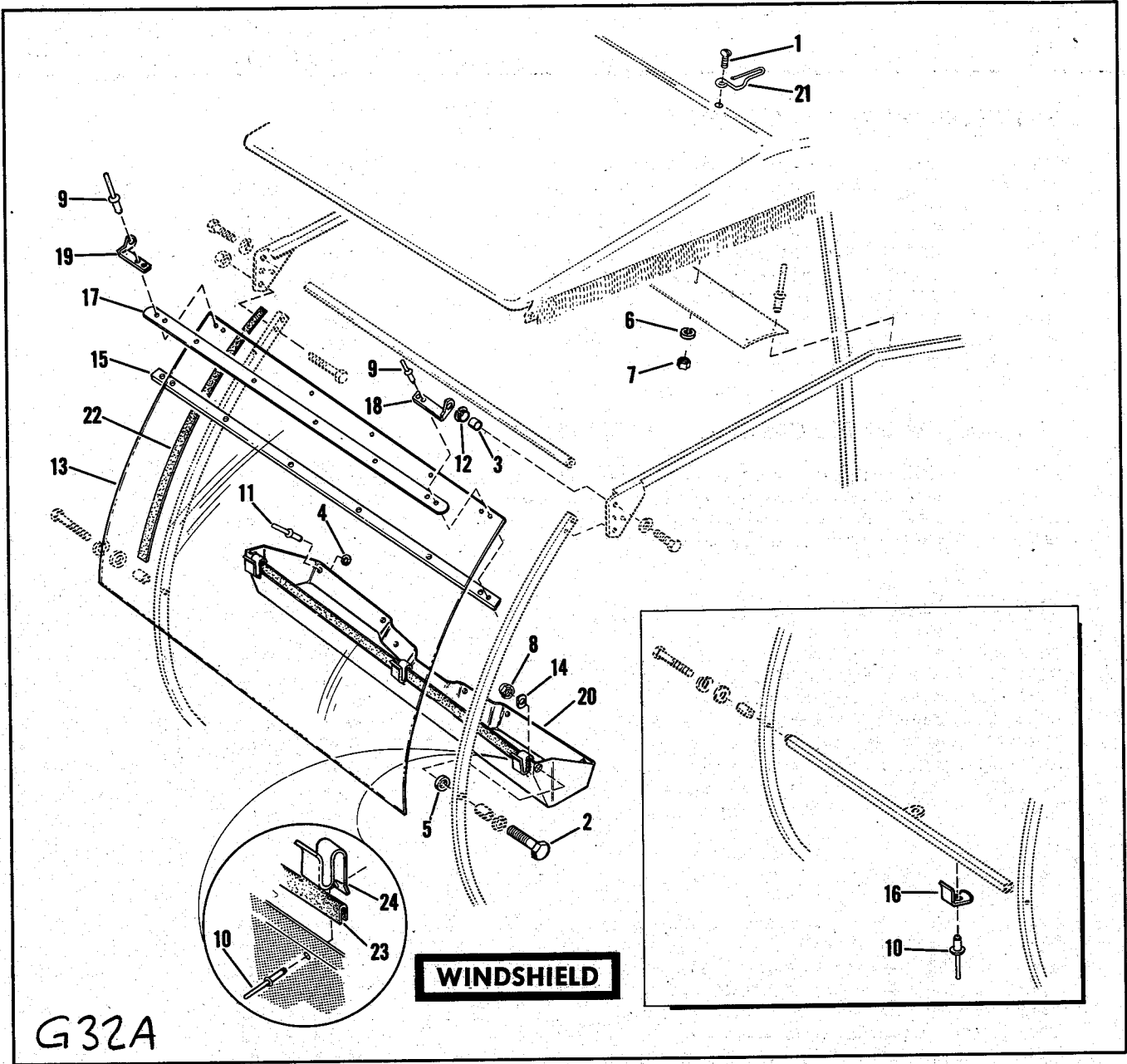
FUEL TANK AND GAGE - PAGE 93 G34

60996-63A	FILLER CAP (Replaced by G1246-70)	
61094-75	HOSE FITTING, fuel tank	75 to * - D, D4
61103-59A	FILLER CAP, gas tank	63 to 74 - D, DF, DC, D4
61111-63	FILLER CAP (Replaced by 61103-59A)	
61117-71	GASKET, filler cap	75 to * - D, D4
61245-65	GAS TANK (Replaced by 61246-70)	
61246-70	GAS TANK, less float	63 to 74 - D, DC, D4
61251-75	FUEL TANK, only	75 to * - D, D4
61252-75	CAP, fuel tank - with fuel gauge	75 to * - D, D4
61308-75	PAD, fuel tank (2)	75 to * - D, D4
61309-75	STRAP, fuel tank (2)	75 to * - D, D4
61310-75	STRAP, fuel tank (2)	75 to * - D, D4
62346-75	FUEL STRAINER	75 to * - D, D4
63509-75	HOSE, fuel tank	75 to * - D, D4

62366-71A

NOTE: Asterisk (\*) indicates part is used for latest model year shown on cover.





G32A

PART  
NO.

N A M E

U S E D O N

BATTERY - PAGE 95 G35

2881W	BOLT, battery bracket, 1/4-20 x 2 hex. hd. ....	75 to * - D, D4
3974HW	BOLT, battery carrier, 5/16-24 x 3/4 hex. hd. (4) .....	75 to * - D, D4
6300	WASHER, battery bracket, 5/16 x 7/16 x 1/32 .....	75 to * - D, D4
6703	WASHER, battery bracket, 1/4 x 5/8 x 1/16 .....	75 to * - D, D4
7041	LOCKWASHER, battery carrier, 5/16 (4) .....	75 to * - D, D4
7686	LOCKNUT, battery bracket, 1/4-20 x 5/16 x 7/16 .....	75 to * - D, D4
7753	NUT, battery carrier, 5/16-24 x 1/4 x 1/2 hex. (4) .....	75 to * - D, D4
66019-75	BATTERY, dry charged .....	75 to * - D, D4
66322-75	CARRIER, battery .....	75 to * - D, D4
66469-75	BRACKET, battery hold-down .....	75 to * - D, D4

MISCELLANEOUS ELECTRICAL - PAGE 103 G39

NOTE: In illustration on page 102, cigarette lighter assembly should be indicated as #30.

9923	WIRE TERMINAL, ring type - 5/16 dia. hole - #8 wire .....	63 to * - D, DF, DC, D4
9931	WIRE TERMINAL, female spade type - 3/16 slot .....	71 to * - D, DC, D4
9936	WIRE TERMINAL (Replaced by 9923)	

WIRING - PAGE 105 G39A

31650-65A	WIRE, horn ground .....	65 to 72 - DC
70015-75	MAIN WIRING HARNESS .....	75 to * - D, D4
70018-65A	WIRE (Replaced by 31650-69A)	
70046-75	MAIN WIRING HARNESS .....	75 to * - D4
70196-69	BATTERY CABLE, positive .....	75 to * - D, D4
70311-75	WIRE, solenoid to circuit breaker .....	75 to * - D, D4
70351-72	WIRE, solenoid to starter - generator F2 terminal .....	75 to * - D
70458-67	BATTERY CABLE, negative .....	75 to * - D, D4

SWITCHES - PAGE 107 G40

3728	BOLT, solenoid, 1/4-20 x 1/2 hex. hd. (2) .....	75 to * - D, D4
6270	WASHER, key switch, 3/4 x 1 x 1/32 .....	Late 73 to * - D4
7041	LOCKWASHER, solenoid, 5/16 (2) .....	75 to * - D, D4
7069	LOCKWASHER, solenoid, No. 10 .....	75 to * - D, D4
7638	NUT, solenoid, No. 10-32 x 1/8 x 3/8 hex. ....	75 to * - D, D4
7686	LOCKNUT, solenoid, 1/4-20 (2) .....	75 to * - D, D4
7748W	NUT, solenoid, 5/16-18 x 1/4 x 1/2 hex. (2) .....	75 to * - D, D4
9923	WIRE TERMINAL, ring type - 5/16 dia. hole - #8 wire .....	
9936	WIRE TERMINAL (Replaced by 9923)	
70450-67A	WIRE, black (2) .....	
71470-63D	SOLENOID SWITCH .....	67 to 74 - D; 69 to 74 - DC, D4
71495-72	KEY SWITCH, with keys 3/4-20 threads .....	72 to * - D4; 73 to * - D
71496-65	KEY SWITCH, with keys - 5/8-32 threads .....	65 to 72 - D, DF, DC
71498-70	KEY SWITCH, with keys (individual keys) (correction) .....	65 to * - D, DC, D4
71550-65	KEY SWITCH (Replaced by 71495-72)	
71580-75	SOLENOID SWITCH .....	75 to * - D, D4

NOTE: Asterisk (\*) indicates part is used for latest model year shown on cover.



PART  
NO.

NAME

USED ON

## REAR AXLE AND DIFFERENTIAL - 1972 & EARLIER - PAGE 115 **G43**

45595-63	CONE WITH ROLLERS (Replaced by 82844-63A)	
83053-63A	SPACER, pinion bearing	63 to 72 - D, DF, DC, D4
83099-63A	SHIM, differential bearing - .030" (2)	63 to 72 - D, DF, DC, D4
83112-63A	CUP, pinion bearing (2)	63 to 72 - D, DF, DC, D4
83133-63A	WASHER, pinion nut	63 to 72 - D, DF, DC, D4
83134-63A	OIL SLINGER, pinion	63 to 72 - D, DF, DC, D4

## REAR AXLE AND DIFFERENTIAL - 1973 & LATER **G43A**

559	COTTER PIN, 1/8 x 1-1/4 (3)	73 to * - D, D4
82805-73	REAR AXLE ASSEMBLY, complete	73 to * - D, D4
82823-67	BREATHER VALVE, axle housing	73 to * - D, D4
82844-63A	ROLLER BEARING, differential (2)	73 to * - D, D4
82876-73	AXLE SHAFT, right	73 to * - D, D4
82878-73	AXLE SHAFT, left	73 to * - D, D4
82948-73	MATCHED PINION AND GEAR	73 to * - D, D4
83032-73	SHIM, pinion bearing - front - .003"	73 to * - D, D4
83033-73	SHIM, pinion bearing - front - .005"	73 to * - D, D4
83034-73	SHIM, pinion bearing - front - .010"	73 to * - D, D4
83035-73	SHIM, pinion bearing - front - .030"	73 to * - D, D4
83039-73	PLUG, drain	73 to * - D, D4
83041-73	PLUG, axle housing cover	73 to * - D, D4
83042-73	COVER, axle housing	73 to * - D, D4
83043-73	GASKET, axle end bearing retainer (4)	73 to * - D, D4
83051-73	OIL SEAL, pinion	73 to * - D, D4
83053-63A	SPACER, pinion bearings	73 to * - D, D4
83072-73	SHIM, pinion bearing - rear - .003"	73 to * - D, D4
83073-73	SHIM, pinion bearing - rear - .005"	73 to * - D, D4
83074-73	SHIM, pinion bearing - rear - .010"	73 to * - D, D4
83084-73	HUB, rear wheel (2)	73 to * - D, D4
83085-73	STUD, wheel hub (8)	73 to * - D, D4
83087-73	FELT SEAL, wheel hub (2)	73 to * - D, D4
83096-63A	SHIM, differential bearing - .003"	73 to * - D, D4
83097-63A	SHIM, differential bearing - .005"	73 to * - D, D4
83098-63A	SHIM, differential bearing - .010"	73 to * - D, D4
83099-63A	SHIM, differential bearing - .030"	73 to * - D, D4
83100-73	ROLLER BEARING, wheel hub (2)	73 to * - D, D4
83103-73	LOCK PIN, pinion mate shaft	73 to * - D, D4
83104-73	SHAFT, pinion mate	73 to * - D, D4
83106-63A	BOLT, drive gear (10)	73 to * - D, D4
83108-63	NUT, pinion	73 to * - D, D4
83112-63A	ROLLER BEARING, pinion (2)	73 to * - D, D4
83113-73	GASKET, axle housing cover	73 to * - D, D4
83115-73	BOLT, axle housing cover (9)	73 to * - D, D4
83119-73	BOLT, wheel hub bearing retainer (8)	73 to * - D, D4
83125-73	DIFFERENTIAL CASE ASSEMBLY	73 to * - D, D4
83126-73	DUST SHIELD, wheel hub bearing (2)	73 to * - D, D4
83131-63	NUT, axle shaft (2)	73 to * - D, D4
83132-63A	YOKE, pinion	73 to * - D, D4
83133-63A	WASHER, pinion nut	73 to * - D, D4
83134-63A	OIL SLINGER, pinion	73 to * - D, D4
83163-63A	OIL SEAL, axle	73 to * - D, D4
83165-73	RETAINER, wheel hub bearing (2)	73 to * - D, D4

**NOTE:** Asterisk (\*) indicates part is used for latest model year shown on cover.

INDEX PART  
NO. NO.

NAME

USED ON

NEW STYLE SUN TOP **G44A**

1	2667	BOLT, rear support tube - lower, 5/16-18 x 2 hex. hd. (2)	74 to * - D, D4
2	2818	BOLT, 5/16-18 x 1-1/2 hex. hd. (8 - D) (6 - D4)	74 to * - D, D4
3	2871W	BOLT, 5/16-18 x 1-1/4 hex. hd. (6)	74 to * - D, D4
4	2887W	BOLT, front lower crossover tube, 5/16-18 x 1-3/4 hex. hd. (2)	74 to * - D4
5	3987	BOLT, 5/16-18 x 3/4 hex. hd. (10 - D) (9 - D4)	74 to * - D, D4
6	5919	SPACER, upper front crossover tube and rear support tube, 1/4" (4)	74 to * - D, D4
7	5947W	SPACER, crossover tube - upper rear, 9/16" (2)	74 to * - D, D4
8	6229W	WASHER, 5/16 x 1-1/16 x 1/16 (6)	74 to * - D
9	6266	RUBBER WASHER	74 to * - D4
10	6678W	WASHER, rear support tube-lower, 5/16 x 1-1/2 x 3/16 (2)	74 to * - D, D4
11	6702	WASHER, 5/16 x 11/16 x 1/16 (10 - D) (16 - D4)	74 to * - D, D4
12	7041	LOCKWASHER, 5/16 (4 - D) (6 - D4)	74 to * - D, D4
13	7740	LOCKNUT, 5/16-18 (22 - D) (19 - D4)	74 to * - D, D4
14	8483	POP RIVET, ridgeplate (4)	74 to * - D, D4
	89440-74	SUN TOP, complete	72 to * - D4
15	89441-74	SUPPORT TUBE, front (2)	74 to * - D4
16	89444-74	CROSSOVER TUBE, lower front	74 to * - D4
17	89447-74	CAP, front support tube (2)	74 to * - D4
	89450-74	SUN TOP, complete	67 to * - D
18	89451-74	SUPPORT TUBE, left front	74 to * - D
19	89456-74	SUPPORT TUBE, right front	74 to * - D
20	89457-74	COVER, sun top	74 to * - D, D4
21	89458-74	CROSSOVER TUBE, upper front & rear (2)	74 to * - D, D4
22	89461-74	SUPPORT TUBE, upper (2)	74 to * - D, D4
23	89464-74	RIDGEPLATE	74 to * - D, D4
24	89465-74	SPACER, front support tube, 7/8" (2)	74 to * - D, D4
25	89466-74	BUSHING, rear support tube pivot, 15/16" (2)	74 to * - D, D4
26	89467-74	SUPPORT TUBE, rear (2)	74 to * - D, D4
27	89470-74	RUBBER WASHER, front support tube (8)	74 to * - D
28	89472-74	BACKING PLATE, rear guide (2)	74 to * - D, D4
29	89474-74	GUIDE, rear support tube (2)	74 to * - D, D4
30	89475-74	PLATE (2)	67 to 73 - D, D4
31	89476-74	BRACE, front support tube to housing (2)	74 to * - D

FRONT BUMPER, TOW BAR AND MIRROR - PAGE 119 **G45**

82004-72A	TOW BAR ASSEMBLY, complete	72 to * - D4
82005-72A	TOW BAR, only (2)	75 to * - D4
82008-74	BRACKET KIT, tow bar	74 to * - D, D4
	Includes:	
	3960W BOLT, 5/16-24 x 1 hex. hd. (4)	
	7729 LOCKNUT, 5/16-24 x 1/4 x 1/2 hex. (4)	
91057-74	TRIM, bumper	74 to * - D4
91058-74	REINFORCEMENT, bumper	74 to * - D4
91059-74	CENTER COVER, bumper	74 to * - D4
91062-74	FRONT BUMPER, complete	74 to * - D4
	Consists of:	
	4716 BOLT, 3/8-16 x 1-1/4 hex. hd. (2)	
	6701 WASHER, 3/8 x 13/16 x 1/16 (4)	
	6702 WASHER, 5/16 x 11/16 x 1/16 (6)	
	7038 LOCKWASHER, 3/8 (2)	
	7740 LOCKNUT, 5/16-18 x 1/4 x 1/2 hex. (6)	
	7778 LOCKNUT, 3/8-16 (2)	
	91057-74 TRIM, bumper	
	91058-74 REINFORCEMENT, bumper	
	91059-74 CENTER COVER, bumper	
	91064-74 BUMPER (2)	
	91065-74 BRACKET, bumper (2)	
91064-74	BUMPER (2)	74 to * - D4
91065-74	BRACKET, bumper (2)	74 to * - D4

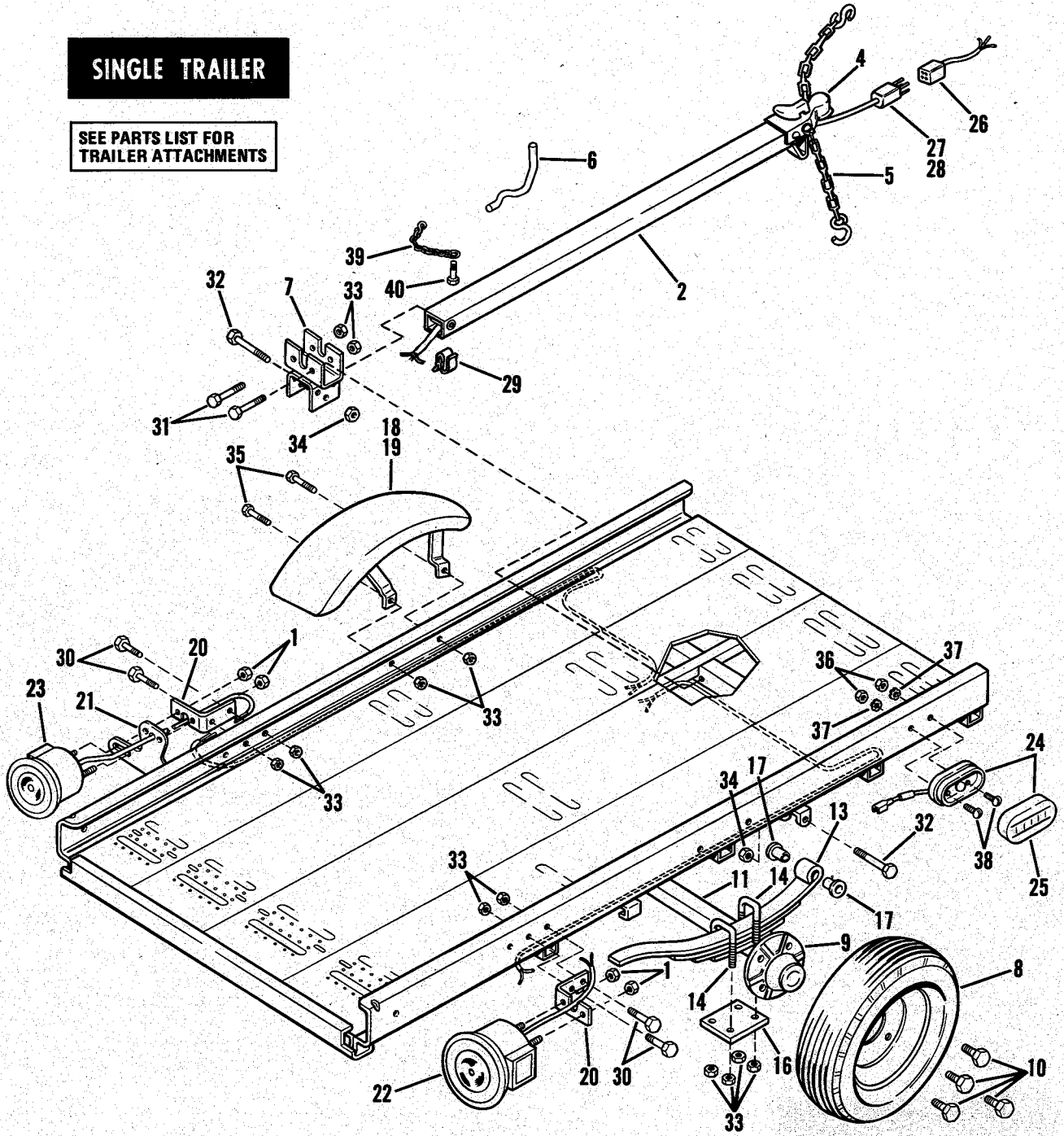
SINGLE TRAILER - D, DC - PAGE 123 **G47**

89003-72VA	TIE DOWN KIT, golf car trailer	72 to * - D, DC
89109-73V	STOP, front wheel	72 to * - D4

NOTE: Asterisk (\*) indicates part is used for latest model year shown on cover.

**SINGLE TRAILER**

**SEE PARTS LIST FOR TRAILER ATTACHMENTS**



WRONG ILLUSTRATION!

Should be Sun Top

AMF

**Harley-Davidson**

Milwaukee, Wisconsin 53201