

FILE

**RECORD COPY**  
DO NOT REMOVE FROM  
**TECHNICAL COMMUNICATIONS**

AMF

# Harley-Davidson

**PARTS CATALOG**  
SUPPLEMENT

**1978**

**Gasoline Golf Car/Utilicar**

**1963 to**

USE THIS SUPPLEMENT WITH CATALOG NO. 99448-77

ISSUED: OCTOBER 1977

No. 99448-78

PART  
NO.

N A M E

U S E D O N

### CYLINDER AND PISTON - PAGE 2

16150-78 ENGINE ASSEMBLY (short block)..... 67 to \* - D; 69 to \* - DC, D4  
16241-77 AXLE TUBE BRACKET, stabilizer (Peerless axle)..... Late 77 - D, D4

### TRANSMISSION PRIMARY DRIVE - PAGE 9

36369-77 SEAL KIT, primary drive..... 72 to \* - D, D4  
Consists of:  
11108 O-RING  
11109 O-RING  
11117 O-RING  
23747-71B LOCKWASHER  
34865-63 PLUG  
36467-61 FELT SEAL

### TRANSMISSION SECONDARY DRIVE - PAGE 11

4331 SHOULDER BOLT, flange hub, 5/16-24 x 9/16 hex. (4)..... Late 77 to \* - D, D4  
11010 RETAINING RING..... 63 to 65 - D (Below  
Serial No. 65D-1429); 68 to 70 - D;  
69 & 70 - DC; Late 77 to \* - D, D4  
36400-71B TRANSMISSION SECONDARY DRIVE, complete..... Late 77 to \* - D, D4  
36403-67C STATIONARY FLANGE (Replaced by 36404-71)  
36410-71B FLANGE HUB, less retaining ring (long)..... 71 to \* - DC, DC, D4  
36415-77 FLANGE HUB, less retaining ring (short)..... Late 77 - D, D4

### STARTER-GENERATOR - 1969 TO 1976 - PAGE 17 D (ABOVE SERIAL NO. 69 D-1911) DC (ABOVE SERIAL NO. 69 DC-1037)

37084-41 SPRING WASHER, generator-starter mounting (2) (quantity correction). Late 69 to 76 - D, DC, D4

### SPARK COIL, CABLE AND CONDENSER - PAGE 21

31981-65B SPARK PLUG CABLE, 16 in. .... 75 to \* - D, D4

### CARBURETOR - PAGE 23

27703-55 GASKET, main orifice plug..... 63 to \* - D, DF, DC, D4

### ACCELERATOR PEDAL - PAGE 31

7740 LOCKNUT, accelerator bracket, 5/16-18 x 1/4 x 1/2 hex. (2) ..... 76 to \* - D, D4

### STEERING TILLER - 1973 & EARLIER - PAGE 51

57025-63B TILLER BAR (Replaced by 57026-67)  
57026-67 TILLER BAR ASSEMBLY..... 63 to 73 - D, DF, DC

### STEERING TILLER - 1974 & LATER - PAGE 53

57025-63B TILLER BAR (Replaced by 57026-67)  
57026-67 TILLER BAR ASSEMBLY..... 74 to \* - D  
57204-74 SPACER (2) (quantity correction)..... 74 to \* - D

**NOTE:** Asterisk (\*) indicates part is used for latest model year shown on cover.

PART  
NO.

N A M E

U S E D O N

**FRONT HOUSING, INSTRUMENT PANEL,  
FLOOR BOARDS & BEVERAGE HOLDER – D4 – PAGE 57**

53246-72A INSTRUCTION DECAL, instrument panel ..... 72 to \* – D4

**FORK HOUSING, SHIELDS, ACCESSORY PANEL AND CARRY-ALL – PAGE 59**

33214-67C INSTRUCTION PLATE ..... 67 to \* – D

**FRAME AND REAR SUSPENSION – PAGE 61**

3945 BOLT, shock absorber bracket, 3/8-24 x 2-1/4 hex. hd. .... Late 77 – D, D4  
4333 BOLT, bumper plate, 3/8-24 x 5 hex. hd. (4) ..... 77 to \* – D, D4  
4733 SCREW, shock bracket to axle housing, 5/16-18 x 1 Torx. hd. .... 78 to \* – D, D4  
6314W WASHER, shock bracket, 5/16 x 9/16 x 1/8 ..... 78 to \* – D, D4  
6416 WASHER, shock absorber bracket, 3/8 x 1 x 5/64 ..... Late 77 – D, D4  
6607W WASHER, bumper plate, 3/8 x 29/32 x 5/32 (4) ..... 77 to \* – D, D4  
7775 LOCKNUT, shock absorber bracket, 3/8-24 x 7/16 x 9/16 ..... Late 77 – D, D4  
24794-67 SPACER, shock absorber bracket ..... Late 77 to \* – D, D4  
50514-67B FLOOR PANEL (Replaced by 50514-70)  
50514-70 FLOOR PANEL, left ..... 67 to \* – D; 69 to 72 – DC  
54524-73 LOWER BRACKET, shock absorber (Dana) ..... Late 73 to Early 77; 78 to \* – D, D4  
54524-77 BRACKET, shock absorber (Peerless) ..... Late 77 – D, D4

**SEAT, HANDRAIL AND BEVERAGE HOLDER – PAGE 67**

52134-72A COVER, seat bottom cushion ..... 72 to \* – D, D4  
52135-72A COVER, seat back cushion ..... 72 to \* – D, D4

**WINDSHIELD – NEW STYLE – PAGE 73**

2339 BOLT, bracket, No. 10-24 x 3/4 hex. hd. (4) ..... 77 to \* – D4  
6716 WASHER, bracket, No. 10 x 1/2 x 3/64 ..... 77 to \* – D4  
7624 LOCKNUT, bracket, No. 10-24 x 1/4 x 3/8 hex. (4) ..... 77 to \* – D4  
8212 POP RIVET (4) (quantity correction) ..... 74 to \* – D, D4  
8528W POP RIVET, garment box clip (3); retainer (3) (quantity correction).... 74 to \* – D, D4  
58044-74 RETAINER (3) (quantity correction) ..... 74 to \* – D, D4

**EXHAUST SYSTEM – PAGE 75**

65231-67B MUFFLER ..... 69 & 70 – DC; 67 to \* – D, D4

**FUEL TANK – 1975 & LATER – PAGE 79**

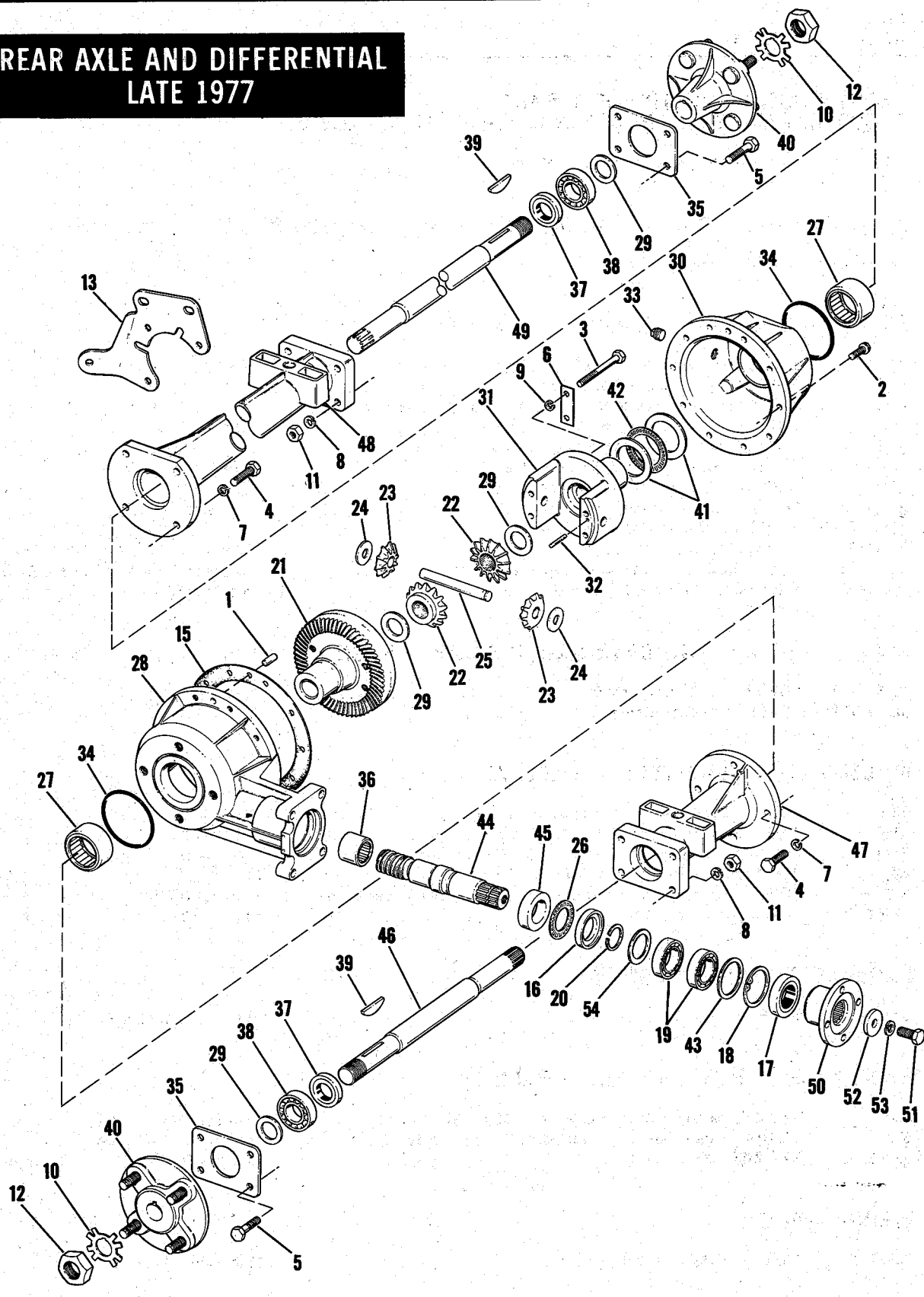
6300 WASHER, battery hold-down bracket, 5/16 x 7/16 x 1/32 ..... 75 to Early 76 – D, D4  
6703 WASHER, battery hold-down bracket, 1/4 x 5/8 x 1/16 ..... 75 to Early 76 – D, D4  
66019-75A BATTERY, dry charged ..... 75 to \* – D, D4

**WIRING – PAGE 91**

70026-72 CABLE, reversing switch ..... 69 to Early 72 – D

**NOTE:** Asterisk (\*) indicates part is used for latest model year shown on cover.

# REAR AXLE AND DIFFERENTIAL LATE 1977



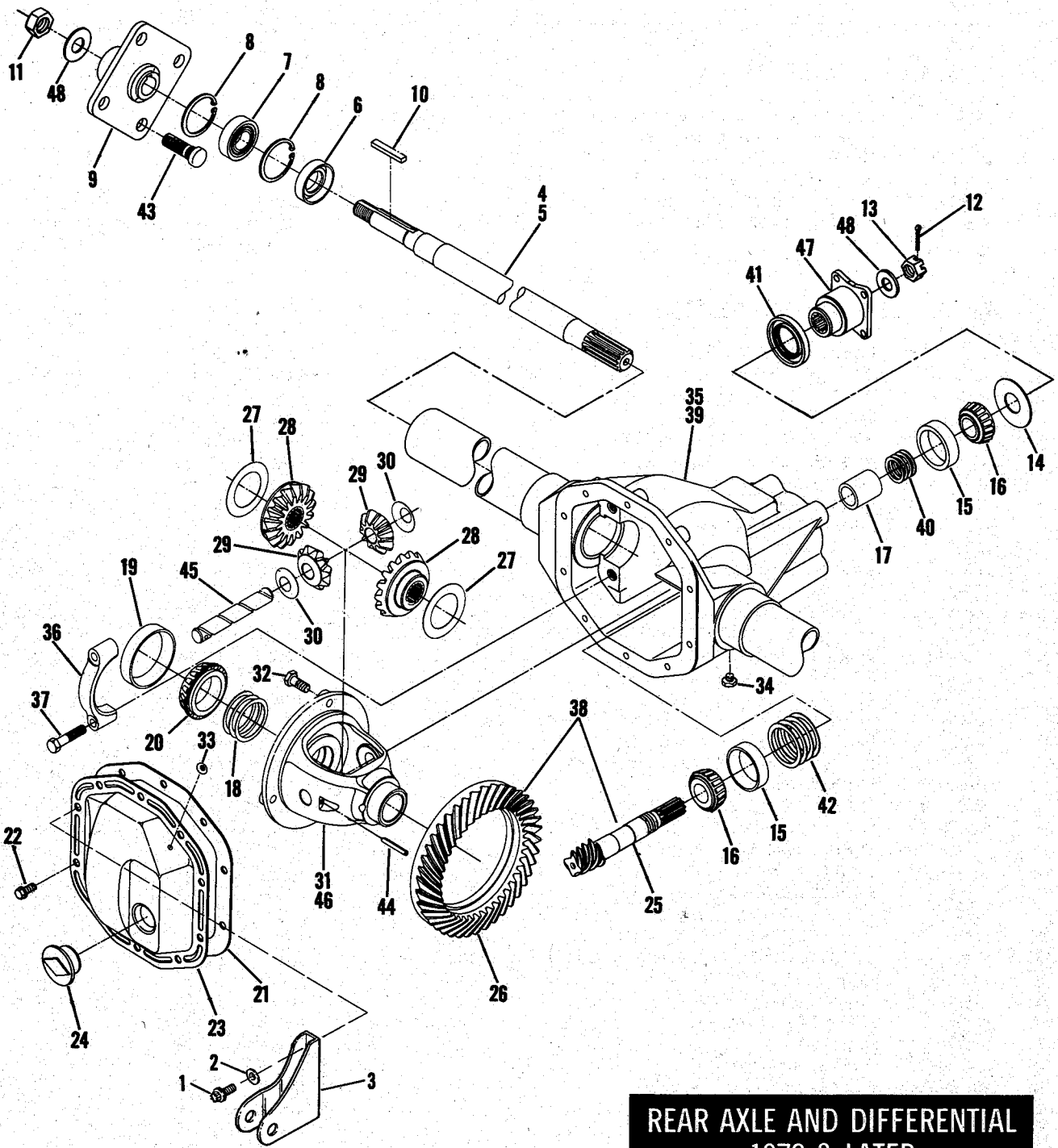
SWITCHES - PAGE 93

2645W	SCREW, with external tooth l. w., 5/16-18 x 1/2 self tapping slotted hex. hd. (4) (name correction) .....	71 to * - D, DC, D4
71470-63D	SOLENOID SWITCH .....	67 to * - D; 69 to * - DC, D4
71580-75	SOLENOID SWITCH (Replaced by 71470-63D) .....	
74509-76	VOLTAGE REGULATOR (Hitachi) .....	Late 76 to * - D, D4
74511-65	VOLTAGE REGULATOR (Bosch) .....	Late 68 to Early 76 - D, D4 (Above Serial No. 6660); 69 to 72 - DC

REAR AXLE AND DIFFERENTIAL - PEERLESS - LATE 1977

1	376	DOWEL PIN, differential case (2) .....	Late 77 - D, D4
2	3940	BOLT, 5/16 x 7/8 hex. hd. (10) .....	Late 77 - D, D4
3	3957	BOLT, 3/8 x 3-3/8 hex. hd. (4) .....	Late 77 - D, D4
4	3962	BOLT, 1/2 x 1-1/2 hex. hd. (8) .....	Late 77 - D, D4
5	3977	BOLT, 7/16 x 1-1/2 hex. hd. (8) .....	Late 77 - D, D4
6	6573	WASHER PLATE, differential gear carrier (2) .....	Late 77 - D, D4
7	7049	LOCKWASHER, 1/2 (8) .....	Late 77 - D, D4
8	7054	LOCKWASHER, 7/16 (8) .....	Late 77 - D, D4
9	7061	LOCKWASHER, 3/8 (4) .....	Late 77 - D, D4
10	7216	RETAINER, axle nut (2) .....	Late 77 - D, D4
11	7661	NUT, hub to axle housing (8) .....	Late 77 - D, D4
12	7664	NUT, axle shaft (2) .....	Late 77 - D, D4
13	54524-77	BRACKET, shock absorber .....	Late 77 - D, D4
	82803-77	REAR AXLE AND DIFFERENTIAL ASSEMBLY, complete .....	Late 77 - D, D4
15	83044-77	GASKET, differential case .....	Late 77 - D, D4
16	83046-77	SPACER, pinion shaft - outer .....	Late 77 - D, D4
17	83049-77	SEAL, pinion shaft .....	Late 77 - D, D4
18	83052-77	RETAINING RING, pinion bearing - outer .....	Late 77 - D, D4
19	83054-77	BALL BEARING, pinion shaft (2) .....	Late 77 - D, D4
20	83056-77	RETAINING RING, pinion bearing - inner .....	Late 77 - D, D4
21	83090-77	RING GEAR .....	Late 77 - D, D4
22	83091-77	GEAR, axle (2) .....	Late 77 - D, D4
23	83092-77	GEAR, idler (2) .....	Late 77 - D, D4
24	83093-77	THRUST WASHER, idler gear (2) .....	Late 77 - D, D4
25	83094-77	SHAFT, idler gear .....	Late 77 - D, D4
26	83109-77	RADIAL BEARING, pinion shaft .....	Late 77 - D, D4
27	83117-77	NEEDLE BEARING, axle (2) .....	Late 77 - D, D4
28	83121-77	DIFFERENTIAL CASE, right .....	Late 77 - D, D4
29	83122-77	THRUST WASHER, axle gear (2); hub to axle bearing (2) .....	Late 77 - D, D4
30	83123-77	DIFFERENTIAL CASE - left .....	Late 77 - D, D4
31	83124-77	CARRIER, gear - differential .....	Late 77 - D, D4
32	83127-77	PIN, idler gear shaft .....	Late 77 - D, D4
33	83128-77	PLUG, fill .....	Late 77 - D, D4
34	83129-77	O-RING, axle housing (2) .....	Late 77 - D, D4
35	83130-77	PLATE, axle housing end (2) .....	Late 77 - D, D4
36	83136-77	NEEDLE BEARING, pinion shaft .....	Late 77 - D, D4
37	83138-77	SEAL, axle housing - outer (2) .....	Late 77 - D, D4
38	83148-77	BALL BEARING, axle (2) .....	Late 77 - D, D4
39	83151-77	KEY, hub (2) .....	Late 77 - D, D4
40	83153-77	WHEEL HUB, with studs (2) .....	Late 77 - D, D4
41	83155-77	THRUST WASHER, gear carrier - radial bearing (2) .....	Late 77 - D, D4
42	83156-77	RADIAL BEARING, gear carrier .....	Late 77 - D, D4
43	83157-77	WASHER, pinion bearing retaining ring - outer .....	Late 77 - D, D4
44	83200-77	PINION SHAFT .....	Late 77 - D, D4
45	83201-77	SPACER, pinion shaft - inner .....	Late 77 - D, D4
46	83202-77	AXLE, right .....	Late 77 - D, D4
47	83203-77	HOUSING, axle - right .....	Late 77 - D, D4
48	83204-77	HOUSING, axle - left .....	Late 77 - D, D4
49	83205-77	AXLE, shaft - left .....	Late 77 - D, D4
50	83206-77	COUPLING, transmission - pinion shaft .....	Late 77 - D, D4
51	83207-77	BOLT, pinion shaft .....	Late 77 - D, D4
52	83208-77	SPACER, pinion shaft transmission coupling .....	Late 77 - D, D4
53	83209-77	LOCKWASHER, pinion shaft bolt .....	Late 77 - D, D4
54	83210-77	WASHER, pinion bearing retaining ring - inner .....	Late 77 - D, D4

NOTE: Asterisk (\*) indicates part is used for latest model year shown on cover.

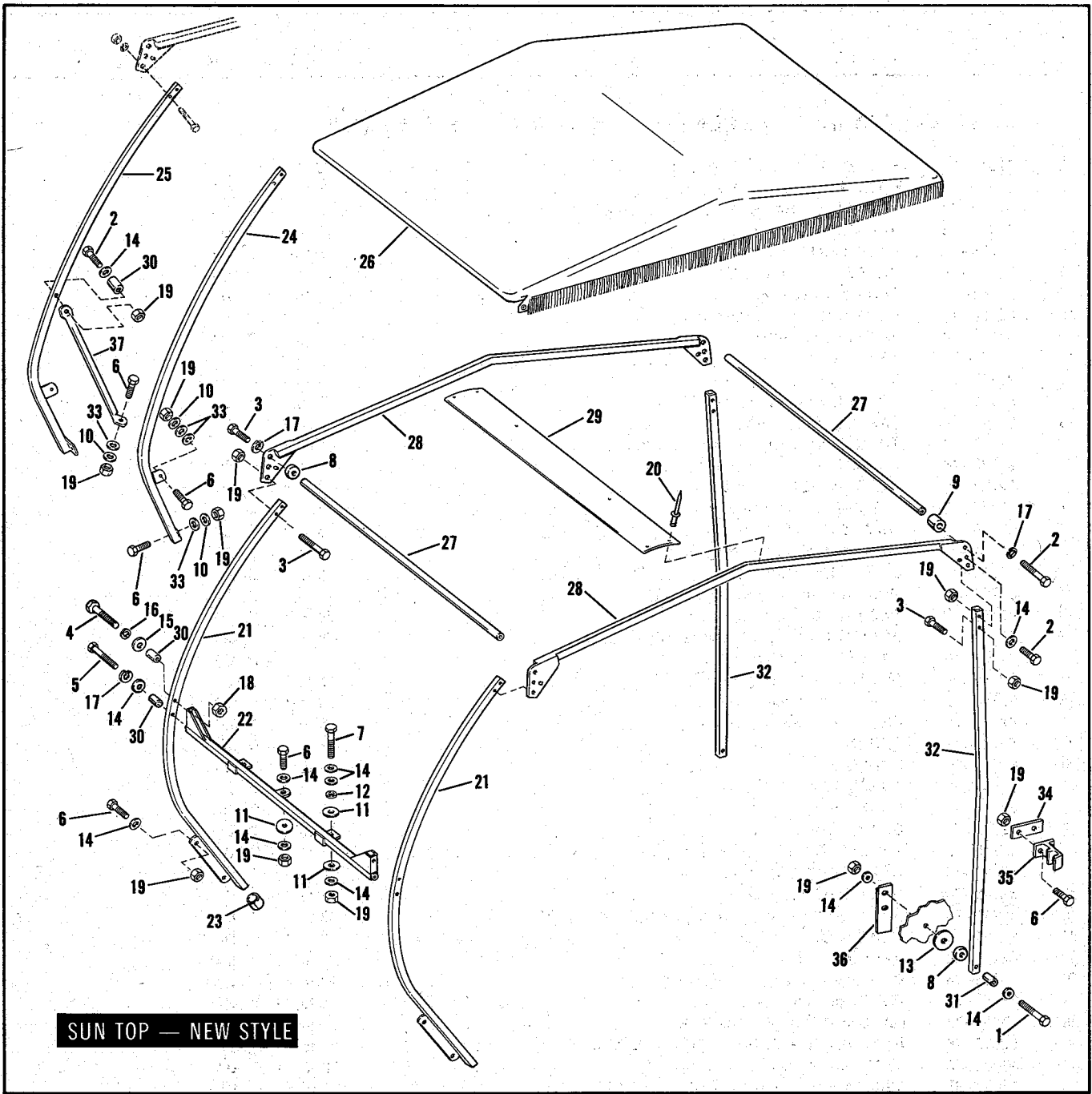


**REAR AXLE AND DIFFERENTIAL  
1978 & LATER**

REAR AXLE AND DIFFERENTIAL - DANA - 1978 & LATER

INDEX NO.	PART NO.	N A M E	USED ON
1	4733	SCREW, 5/16-18 x 1 Torx. hd. ....	78 to * - D, D4
2	6314W	WASHER, 5/16 x 9/16 x 1/8. ....	78 to * - D, D4
3	54524-73	MOUNTING BRACKET, shock absorber .....	78 to * - D, D4
4	82702-78	AXLE SHAFT, right. ....	78 to * - D, D4
5	82703-78	AXLE SHAFT, left. ....	78 to * - D, D4
6	82704-78	OIL SEAL, axle end (2). ....	78 to * - D, D4
7	82705-78	BEARING, axle end (2). ....	78 to * - D, D4
8	82706-78	RETAINING RING, axle bearing (4) .....	78 to * - D, D4
9	82707-78	HUB, rear wheel (2). ....	78 to * - D, D4
10	82708-78	KEY, hub (2). ....	78 to * - D, D4
11	82710-78	NUT, axle shaft (2) .....	78 to * - D, D4
12	82712-78	COTTER PIN, pinion nut .....	78 to * - D, D4
13	82713-78	CASTLE NUT, pinion .....	78 to * - D, D4
14	82717-78	THRUST WASHER, pinion bearing. ....	78 to * - D, D4
15	82722-78	BEARING CUP, pinion (2) .....	78 to * - D, D4
16	82723-78	BEARING CONE, pinion (2) .....	78 to * - D, D4
17	82724-78	SPACER, pinion bearings .....	78 to * - D, D4
18	82728-78	SHIM, differential bearing - .003" .....	78 to * - D, D4
	82729-78	SHIM, differential bearing - .005" .....	78 to * - D, D4
	82730-78	SHIM, differential bearing - .010" .....	78 to * - D, D4
	82731-78	SHIM, differential bearing - .030" .....	78 to * - D, D4
19	82732-78	BEARING CUP, differential (2) .....	78 to * - D, D4
20	82733-78	BEARING CONE, differential (2) .....	78 to * - D, D4
21	82734-78	GASKET, axle housing cover .....	78 to * - D, D4
22	82735-78	BOLT, axle housing cover (8) .....	78 to * - D, D4
23	82736-78	COVER, axle housing .....	78 to * - D, D4
24	82737-78	PLUG, axle housing cover .....	78 to * - D, D4
25	82739-78	PINION .....	78 to * - D, D4
26	82740-78	DRIVE GEAR .....	78 to * - D, D4
27	82742-78	THRUST WASHER, axle gear (2) .....	78 to * - D, D4
28	82743-78	GEAR, axle .....	78 to * - D, D4
29	82744-78	GEAR, idler .....	78 to * - D, D4
30	82745-78	THRUST WASHER, idler gear (2) .....	78 to * - D, D4
31	82747-78	GEAR CARRIER, differential .....	78 to * - D, D4
32	82748-78	BOLT, drive gear (4) .....	78 to * - D, D4
33	82749-78	BREATHER PLUG, axle housing cover .....	78 to * - D, D4
34	82750-78	PLUG, drain .....	78 to * - D, D4
35	82752-78	AXLE HOUSING .....	78 to * - D, D4
36	82753-78	CLAMP, differential bearing (2) .....	78 to * - D, D4
37	82754-78	BOLT, bearing clamp (4) .....	78 to * - D, D4
38	82756-78	MATCHED PINION AND GEAR .....	78 to * - D, D4
39	82807-78	REAR AXLE AND DIFFERENTIAL ASSEMBLY, complete .....	78 to * - D, D4
40	83032-63	SHIM, pinion bearing - front - .003" .....	78 to * - D, D4
	83033-63	SHIM, pinion bearing - front - .005" .....	78 to * - D, D4
	83034-63	SHIM, pinion bearing - front - .010" .....	78 to * - D, D4
	83035-63	SHIM, pinion bearing - front - .030" .....	78 to * - D, D4
41	83051-63	OIL SEAL, pinion .....	78 to * - D, D4
42	83072-63	SHIM, pinion bearing - rear - .003" .....	78 to * - D, D4
	83073-63	SHIM, pinion bearing - rear - .005" .....	78 to * - D, D4
	83074-63	SHIM, pinion bearing - rear - .010" .....	78 to * - D, D4
43	83085-73	MOUNTING STUD, wheel hub (8) .....	78 to * - D, D4
44	83103-73	ROLL PIN, differential case .....	78 to * - D, D4
45	83104-73	SHAFT, idler gear .....	78 to * - D, D4
46	83125-73	DIFFERENTIAL CARRIER ASSEMBLY, with gears .....	78 to * - D, D4
47	83132-63A	PINION YOKE .....	78 to * - D, D4
48	83133-63A	WASHER, axle nut & pinion nut (3) .....	78 to * - D, D4

NOTE: Asterisk (\*) indicates part is used for latest model year shown on cover.





INDEX PART  
NO. NO.

N A M E

USED ON

SUN TOP – OLD STYLE – PAGE 103

89395-69	TOP ASSEMBLY, with fittings (less fringe) (used on correction) .....	63 to 73 – D, D4
89429-63	TOP COVERING (less fringe) (used on correction).....	63 to 73 – D, D4

SUN TOP – NEW STYLE – PAGE 105

1	2667	BOLT, 5/16-18 x 2 hex. hd. (2) .....	74 to * – D, D4
2	2818	BOLT, 5/16-18 x 1-1/2 hex. hd. (8 – D) (6 – D4) .....	74 to * – D, D4
3	2871W	BOLT, 5/16-18 x 1-1/4 hex. hd. (6) .....	74 to * – D, D4
4	2872W	BOLT, 1/4-20 x 1-1/2 hex. hd. (2) .....	Late 77 to * – D4
5	2887W	BOLT, 5/16-18 x 1-3/4 hex. hd. (2).....	74 to * – D4
6	3987	BOLT, 5/16-18 x 3/4 hex. hd. (10 – D) (10 – D4) .....	74 to * – D, D4
7	4017	BOLT, 5/16-18 x 1 hex. hd. (2) .....	Late 77 to * – D4
8	5919	SPACER, 1/4 (4) .....	74 to * – D, D4
9	5947W	SPACER, 9/16 (2) .....	74 to * – D, D4
10	6229W	WASHER, 5/16 x 1-1/16 x 1/16 (6).....	74 to * – D
11	6266	RUBBER WASHER, 5/16 x 7/8 x 1/8 (5).....	74 to * – D4
12	6314W	WASHER, 5/16 x 9/16 x 1/32 (2).....	Late 77 to * – D4
13	6678W	WASHER, 5/16 x 1-1/2 x 3/16 (2).....	74 to * – D, D4
14	6702	WASHER, 5/16 x 11/16 x 1/16 (10 – D) (20 – D4).....	74 to * – D, D4
15	6703	WASHER, 1/4 x 5/8 x 1/16 (2).....	Late 77 to * – D4
16	7036	LOCKWASHER, 1/4 (2).....	Late 77 to * – D4
17	7041	LOCKWASHER, 5/16 (4 – D) (6 – D4).....	74 to * – D, D4
18	7688	NUT, 1/4-20 x 5/16 x 7/16.....	Late 77 to * – D4
19	7740	LOCKNUT, 5/16-18 x 1/4 x 1/2 hex. (22 – D) (21 – D4).....	74 to * – D, D4
20	8483	POP RIVET, ridgeplate (4).....	74 to * – D, D4
	89440-74	SUN TOP, complete .....	72 to * – D4
21	89441-74	SUPPORT TUBE, front (2).....	74 to * – D4
22	89444-74	CROSSOVER TUBE, lower front .....	74 to * – D4
23	89447-74	CAP, front support tube (2).....	74 to * – D4
	89450-74	SUN TOP, complete .....	72 to * – D
24	89451-74	SUPPORT TUBE, left front .....	74 to * – D
25	89456-74	SUPPORT TUBE, right front .....	74 to * – D
26	89457-74	COVER, sun top .....	74 to * – D, D4
27	89458-74	CROSSOVER TUBE, upper front & rear (2) .....	74 to * – D, D4
28	89461-74	SUPPORT TUBE, upper (2).....	74 to * – D, D4
29	89464-74	RIDGEPLATE.....	74 to * – D, D4
30	89465-74	SPACER, front support tube, 7/8 (4) .....	74 to * – D, D4
31	89466-74	BUSHING, rear support tube pivot, 15/18 (2) .....	74 to * – D, D4
32	89467-74	SUPPORT TUBE, rear (2).....	74 to * – D, D4
33	89470-74	RUBBER WASHER, front support tube (8) .....	74 to * – D
34	89472-74	BACKING PLATE, rear guide (2) .....	74 to * – D, D4
35	89474-74	GUIDE, rear support tube (2) .....	74 to * – D, D4
36	89475-74	PLATE (2).....	67 to 73 – D, D4
37	89476-74	BRACE, front support tube to housing (2) .....	74 to * – D

NOTE: Asterisk (\*) indicates part is used for latest model year shown on cover.



**Harley-Davidson**

Milwaukee, Wisconsin 53201