

RECORD COPY
DO NOT REMOVE FROM
TECHNICAL COMMUNICATIONS

1963

PARTS CATALOG
FOR

HARLEY-DAVIDSON

HARLEY-DAVIDSON MOTOR CO.
MILWAUKEE 1, WISCONSIN, U.S.A.

GENERAL INFORMATION

This Spare Parts catalog has been prepared for your convenience when ordering parts for the Harley-Davidson GASOLINE CAR. Wherever possible parts are shown in assembly breakdown sequence. Index numbers shown in the illustrations correspond to index numbers in parts lists. Consult the illustrations when ordering spare parts so you are sure to get just what you want.

Number in parenthesis following description of part is the quantity needed for complete assembly shown in illustration. If there is no number in parenthesis, only one is used.

Package quantities are also indicated in parenthesis for certain parts which are only supplied this way.

Prices of all parts and accessories listed in this catalog are published separately in the latest RETAIL PRICE LIST applying to this catalog.

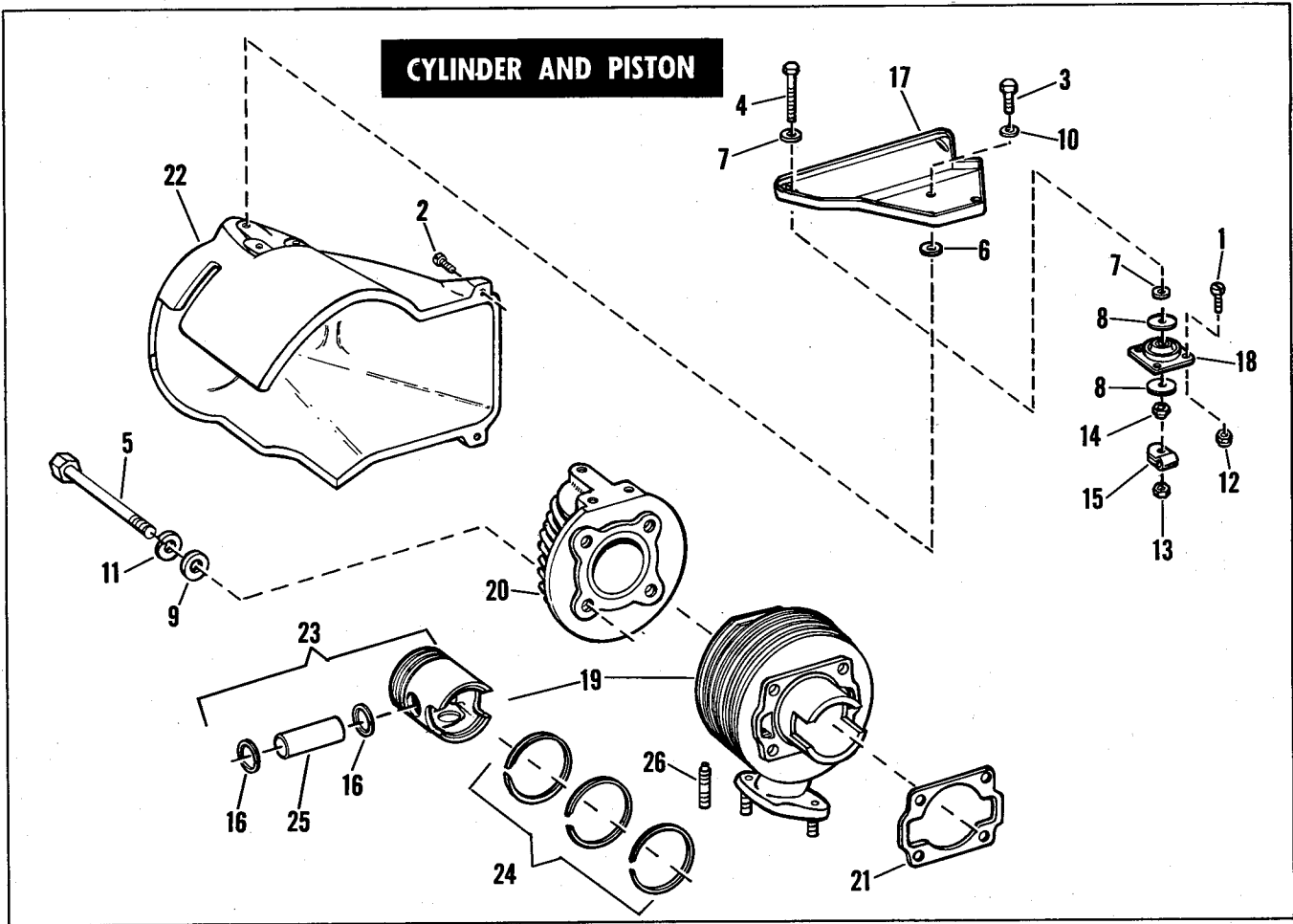
The following instructions should be followed very carefully when ordering spare parts:

- Specify the correct part number on each item.
- Part-Numbers are to be used when ordering by TELEGRAM or CABLE.
- When ordering parts use our standard parts order blanks. The use of these blanks will enable us to fill and ship your order more promptly. These blanks are furnished free of charge upon request.
- Do not order cars or advertising matter on Parts Order Blanks. Write nothing on the order blank except the order itself, as any other correspondence will not be answered until the order is shipped and billed.
- Freight, Express and Parcel Post orders should be on separate order blanks.
- For your own records, number and date all orders, also keep a carbon copy for reference in case of misunderstanding.

An alphabetical index at the beginning of this catalog and a numerical index at the end, will help to locate parts by name or part number.

ALPHABETICAL INDEX

	Page		Page
Accelerator Pedal	19	Fork	2
Accessory Panel	27	Frame	29
Air Cleaner	17	Fuel Tank and Gage	22
Air Shroud	2	Gears, differential	41
Axle, front	21	Gears, reverse unit	8
Axle, rear	41	Generator	12
Bag Holder	29	Governor	18
Battery	37	Housing, fork	27
Body, front	26	Ignition Coil	18
Body, rear	31	Intake Manifold	17
Brake	23	Micro-Switch	39
Brake Pedal	19	Muffler	23
Bumper, front	44	Piston	2
Bumper, rear	29	Reed Valve	17
Carburetor	16	Regulator	37
Carry-All	27	Reverse Unit	8
Case, reverse unit	10	Seats	31
Choke Control Cable	16	Shields	27
Cigarette Lighter	37	Spark Advance	12
Circuit Breaker	12	Spark Coil and Plug	18
Condenser	12	Splash Guards	31
Connecting Rod	4	Starter-Generator	12
Control Box	37	Steering	24
Couplings, drive shaft	23	Sun Top	43
Crankcase	4	Switches	39
Crankshaft	3	Tank	22
Cylinder	2	Tiller	24
Differential	41	Top	43
Drive Shaft	23	Trailer	44
Engine Assembly	2	Transmission, front drive	7
Exhaust System	33	Transmission, rear drive	8
Fan	12	Wheels	21
Wires and Terminals	37		

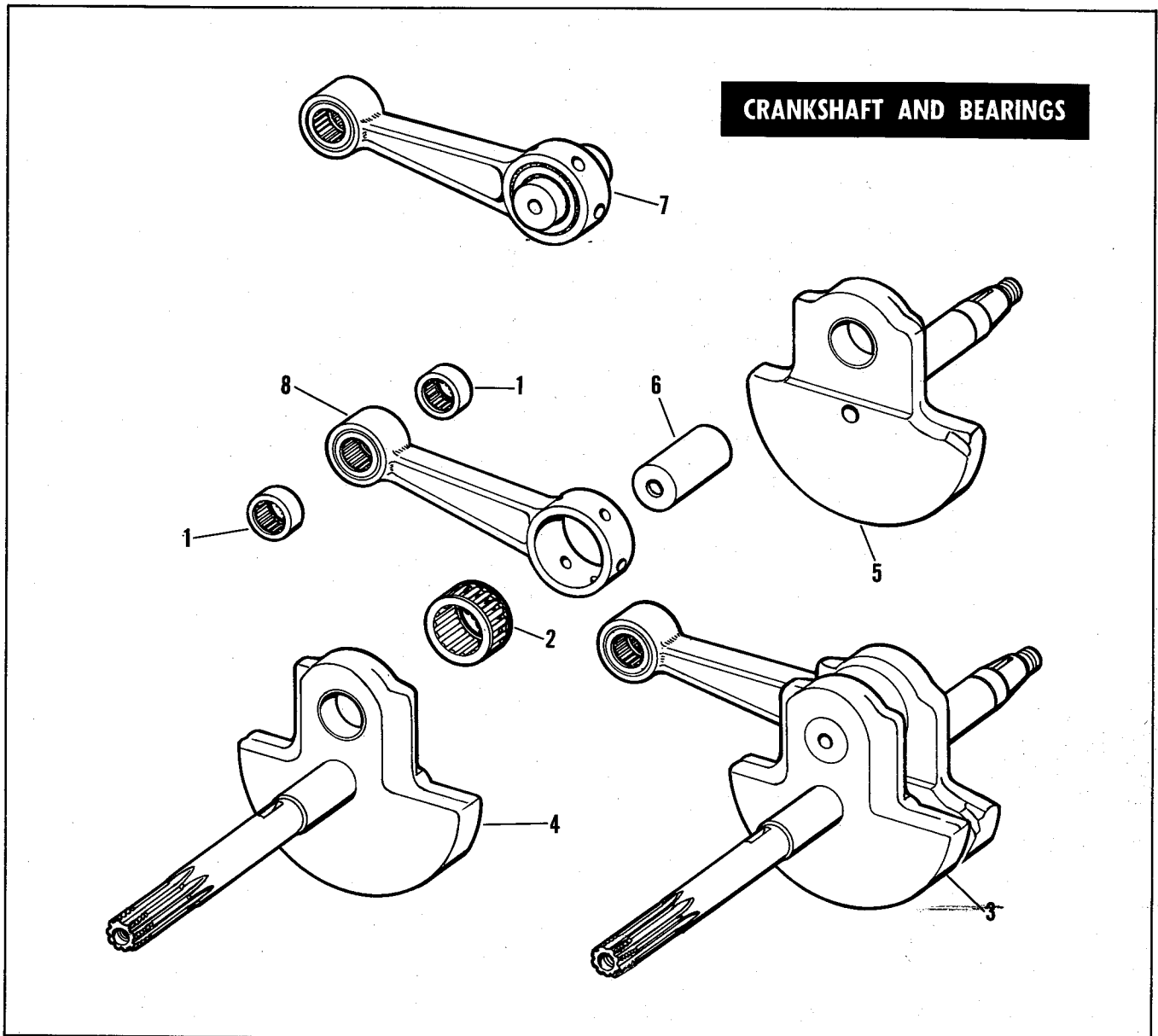


CYLINDER AND PISTON

INDEX NO.	PART NO.	NAME
1	1064W	SCREW, No. 8-36 x 3/8 fil. hd. (8)
2	1375	SCREW, 1/4-20 x 13/16 Phillips hd. (2)
3	3787	SCREW, 1/4-20 x 3/4 hex. hd. (3)
4	3875	BOLT, 1/4-28 x 2-1/16 hex. hd. (2)
5	4451W	BOLT, 5/16-24 x 5-5/16 hex. hd. (4)
6	6220	WASHER, 1/4 x 7/16 x 1/32
7	6245	WASHER, 1/4 x 5/8 x 1/16 (4)
8	6257B	WASHER, 9/32 x 1-1/4 x 1/16 (4)
9	6388	WASHER, 3/8 x 23/32 x 1/16 (4)
10	7035	LOCKWASHER, 1/4 (3)
11	7045	LOCKWASHER, 3/8 (4)
12	7612W	NUT, No. 8-36 Flexloc (8)
13	7675	NUT, 1/4-28 x 3/16 x 7/16 hex.
14	7683	NUT, 1/4-28 Flexloc (2)
15	9953	CLAMP, choke control coil
16	11026	LOCK RING, piston pin (2)
	16090-63	ENGINE AND TRANSMISSION ASSEMBLY, complete
17	16214-59	BRACKET, engine, front
18	16226-63	ENGINE MOUNT, front (2)
19	16534-63	MATCHED CYLINDER AND PISTON, with rings and pin
20	16652-63	CYLINDER HEAD
21	16780-63	GASKET, cylinder base
22	20009-63	AIR SHROUD
23	22001-63	PISTON AND RING ASSEMBLY, standard
	22002-63	PISTON AND RING ASSEMBLY, .005 O. S.
	22003-63	PISTON AND RING ASSEMBLY, .010 O. S.
	22004-63	PISTON AND RING ASSEMBLY, .020 O. S.

CYLINDER AND PISTON, CONT'D.

INDEX NO.	PART NO.	NAME
	22005-63	PISTON AND RING ASSEMBLY, .030 O. S.
	22006-63	PISTON AND RING ASSEMBLY, .040 O. S.
24	22325-63	PISTON RING SET, standard
	22326-63	PISTON RING SET, .005 O. S.
	22327-63	PISTON RING SET, .010 O. S.
	22328-63	PISTON RING SET, .020 O. S.
	22329-63	PISTON RING SET, .030 O. S.
	22330-63	PISTON RING SET, .040 O. S.
25	22587-63	PIN, piston
26	33298-36	STUD, cylinder exhaust flange (2)



CRANKSHAFT AND BEARINGS

1	9068	BEARING, needle, piston pin (2)
2	9070	BEARING, needle, crankpin
3	23703-63	CRANKSHAFT ASSEMBLY WITH PIN, ROD AND BEARINGS

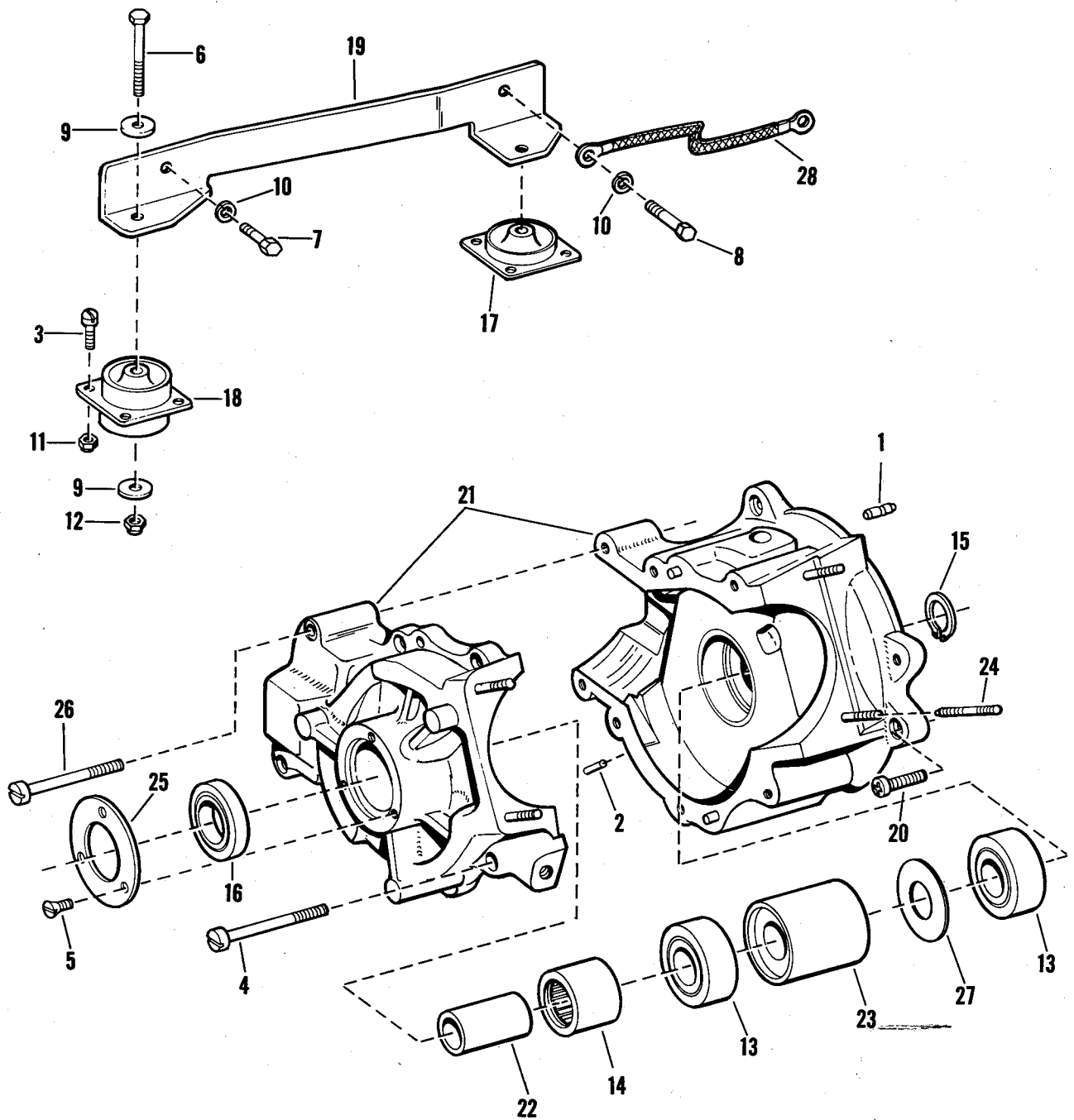
CRANKSHAFT AND BEARINGS, CONT'D.

INDEX NO.	PART NO.	NAME
4	23708-63	CRANKSHAFT, transmission side.....
5	23709-63	CRANKSHAFT, starter-generator side
6	23962-63	CRANKPIN.....
7	24200-63	CONNECTING ROD, CRANKPIN AND BEARING ASSEMBLY
8	24202-63	CONNECTING ROD WITH PISTON PIN BRGS.

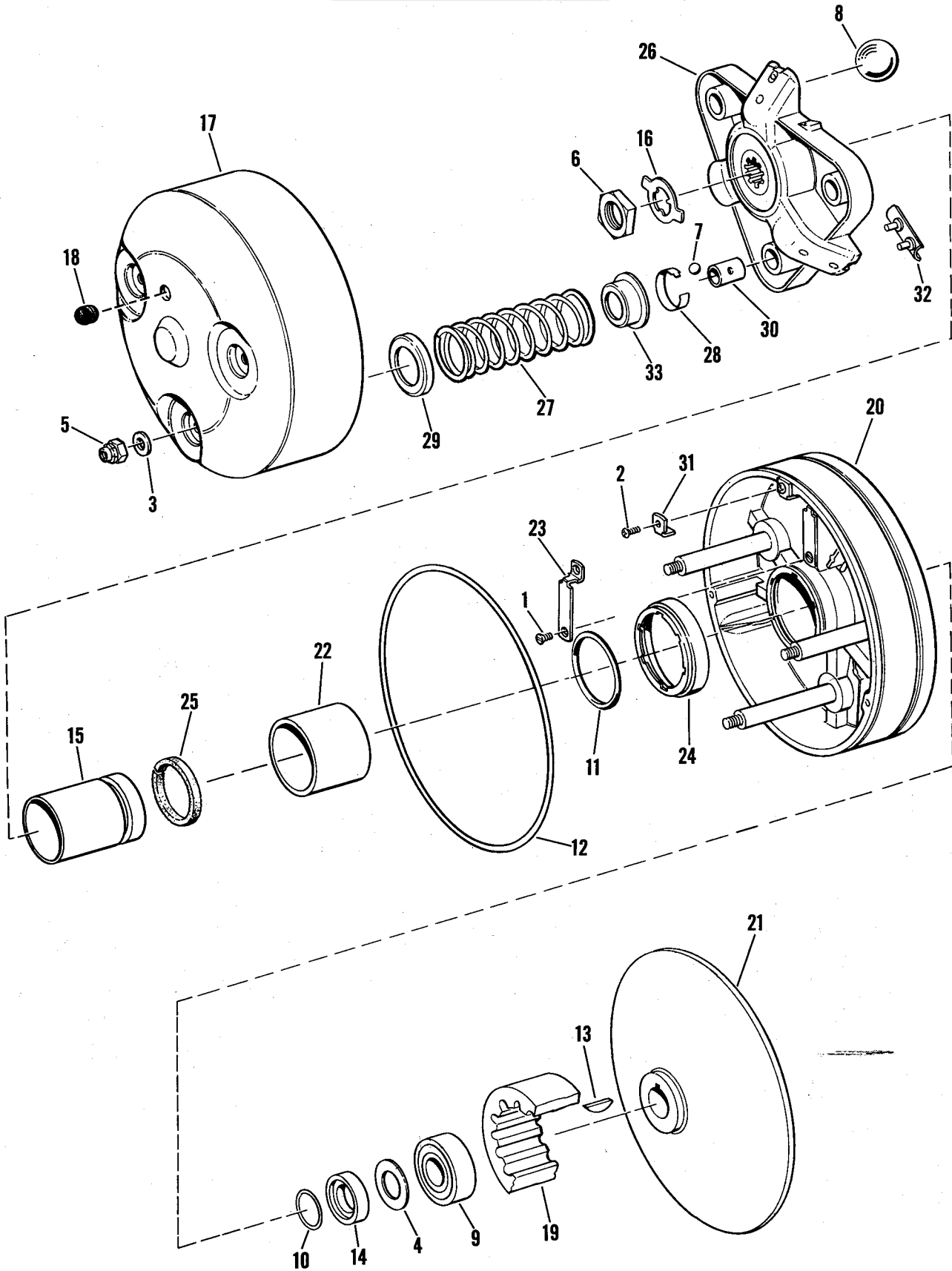
CRANKCASE AND FITTINGS

1	358	DOWEL PIN (4).....
2	600	ROLL PIN
3	1064W	SCREW, No. 8-36 x 3/8 fil. hd. (8)
4	1375	SCREW, 1/4-20 x 13/16 Phil. hd. (5).....
5	1655	SCREW, No. 6-32 x 5/16 ctsk. hd. (3).....
6	3840	BOLT, 1/4-28 x 1-1/4 hex. hd. (2).....
7	3984	BOLT, 5/16-18 x 11/16 hex. hd.
8	4017	BOLT, 5/16-18 x 1 hex. hd.
9	6257B	WASHER, 9/32 x 1-1/4 x 1/16 (4)
10	7040	LOCKWASHER, 5/16 (2)
11	7612W	NUT, No. 8-36 Flexloc (8)
12	7683	NUT, 1/4-28 Flexloc (2).....
13	9034	BEARING, crankcase (2).....
14	9071	NEEDLE BEARING, left crankcase
15	11025	RETAINING RING, right crankcase.....
16	12008	OIL SEAL, left crankcase.....
17	16226-63	ENGINE MOUNT, right rear
18	16227-63	ENGINE MOUNT, left rear
19	16249-63	MOUNTING BRACKET, engine, rear
20	20005-63	SCREW, crankcase to fan housing (3)
21	24496-63	SET OF CRANKCASES
22	24621-63	INNER RACE, left crankcase bearing.....
23	24694-63	BEARING SPACER.....
24	24811-59A	STUD, carburetor, 1/4-20 x 1-1/2 (4)
25	24995-63	RETAINER, oil seal
26	25453-47	SCREW, 1/4-20 x 2-5/16 Phil. hd. (2).....
27	43560-35	SHIM, main brg., .002 (as required)
28	70166-63	GROUND STRAP.....

CRANKCASE AND FITTINGS



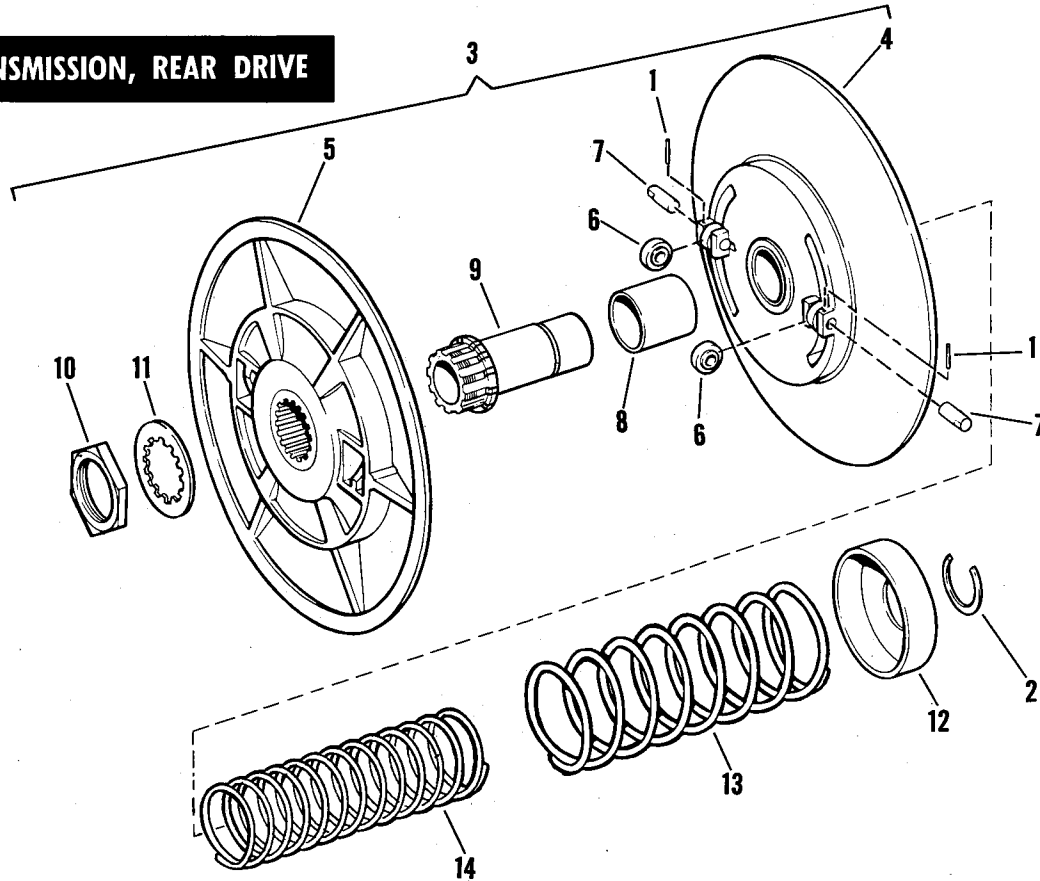
TRANSMISSION, FRONT DRIVE



TRANSMISSION FRONT DRIVE

INDEX NO.	PART NO.	NAME
1	1663W	SCREW, No. 6-32 x 3/16 self-tapping rd. hd. (6)
2	2072W	SCREW, No. 6-32 x 3/8 self-tapping rd. hd. (3)
3	6242	WASHER, 1/4 x 9/16 x 1/32 (3)
4	6750	SHIM, 43/64 x 55/64 x .007 (as required)
	6751	SHIM, 21/32 x 55/64 x 1/32 (as required)
5	7704	ACORN NUT, 1/4-28 (3)
6	7988	NUT, 5/8-18 x 1/4 x 1 hex.
7	8856	BUFFER BALL, 7/32 (3)
8	8874	STEEL BALL, drive cup (3)
9	9012	BALL BEARING
10	11104	O-RING, transmission shaft
11	11108	O-RING, front floating flange hub
12	11109	O-RING, drive cup cover
13	11206	KEY, driving flange
14	23727-61	SLEEVE, transmission shaft
15	23732-61	SLEEVE, front floating flange
16	23742-61	LOCKWASHER, transmission shaft nut
17	34862-61A	COVER, drive cup
18	34865-63	PLUG, drive cup cover
19	36394-61	BELT, transmission
20	36449-61	FRONT FLOATING FLANGE ASSEMBLY
21	36453-61	FRONT DRIVING FLANGE
22	36457-61	BUSHING, front floating flange
23	36460-61	SLIDE STRIP (3)
24	36466-61	RETAINER, front floating flange o-ring
25	36467-61	FELT SEAL, drive cup spacer sleeve
26	36516-61A	DRIVE CUP ASSEMBLY
27	36534-63	SPRING, driving cup (3)
28	36535-59	SPRING, buffer ball (9)
29	36540-61	DRIVE CUP SPRING COLLAR (3)
30	36549-59	BUSHING, drive cup (3)
31	36553-61	DRIVE CUP BALL STOP (3)
32	36554-61	DRIVE CUP BALL STRIP (3)
33	36555-61	DRIVE CUP SPRING RETAINER (3)

TRANSMISSION, REAR DRIVE

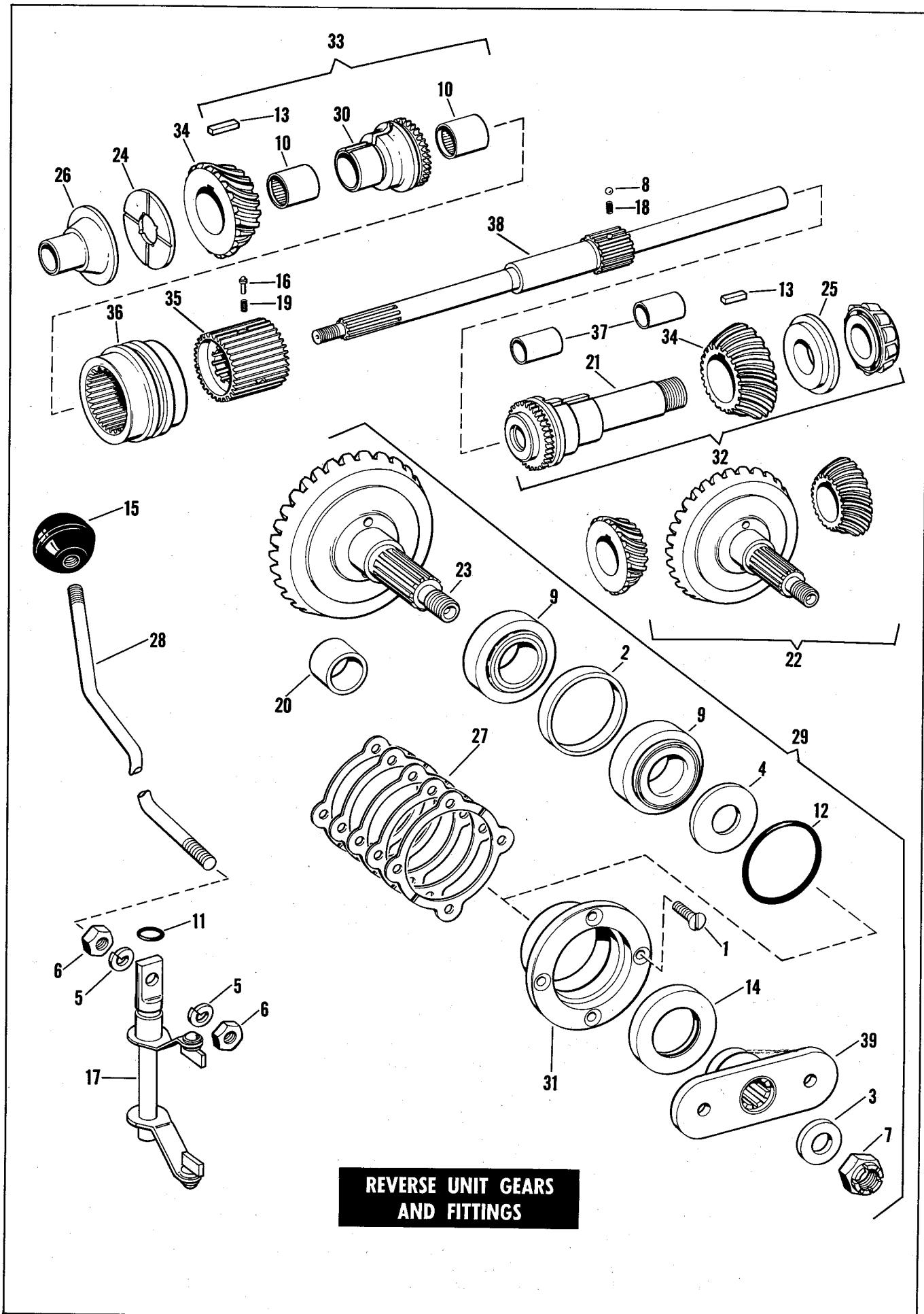


TRANSMISSION REAR DRIVE

INDEX NO.	PART NO.	NAME
1	612	ROLL PIN, 3/32 x 49/64 (2)
2	11010	RETAINING RING
3	36398-63	TRANSMISSION REAR DRIVE COMPLETE
4	36401-63	REAR FLOATING FLANGE ASSEMBLY
5	36403-59A	REAR DRIVING FLANGE
6	36407-59	CAM ROLLER, rear floating flange (2)
7	36408-59	PIN, cam roller (2)
8	36410-59	BUSHING, rear floating flange
9	36413-63	FLANGE HUB
10	36423-59	LOCKNUT, rear driving flange hub
11	36424-59A	LOCKWASHER, rear driving flange hub
12	36429-59	SPRING CUP, rear flange
13	36430-62	SPRING, rear flange
14	36431-61	SPRING, booster

REVERSE UNIT GEARS AND FITTINGS

1	2776W	SCREW, 1/4-20 x 3/4 ctsk. hd. (4)
2	5937	BEARING SPACER, driven gear assembly
3	6722	WASHER, 5/8 x 1-1/8 x 3/32
4	6860	WASHER, 7/8 x 2 x 1/8
5	7045	LOCKWASHER, 3/8 (2)
6	7793	NUT, 3/8-24 x 21/64 x 9/16 hex. (2)
7	7993	NUT, 5/8-18 Flexloc
8	8854	BALL, drive shaft, 3/16
9	9045	ROLLER BEARING, driven gear assembly (2)



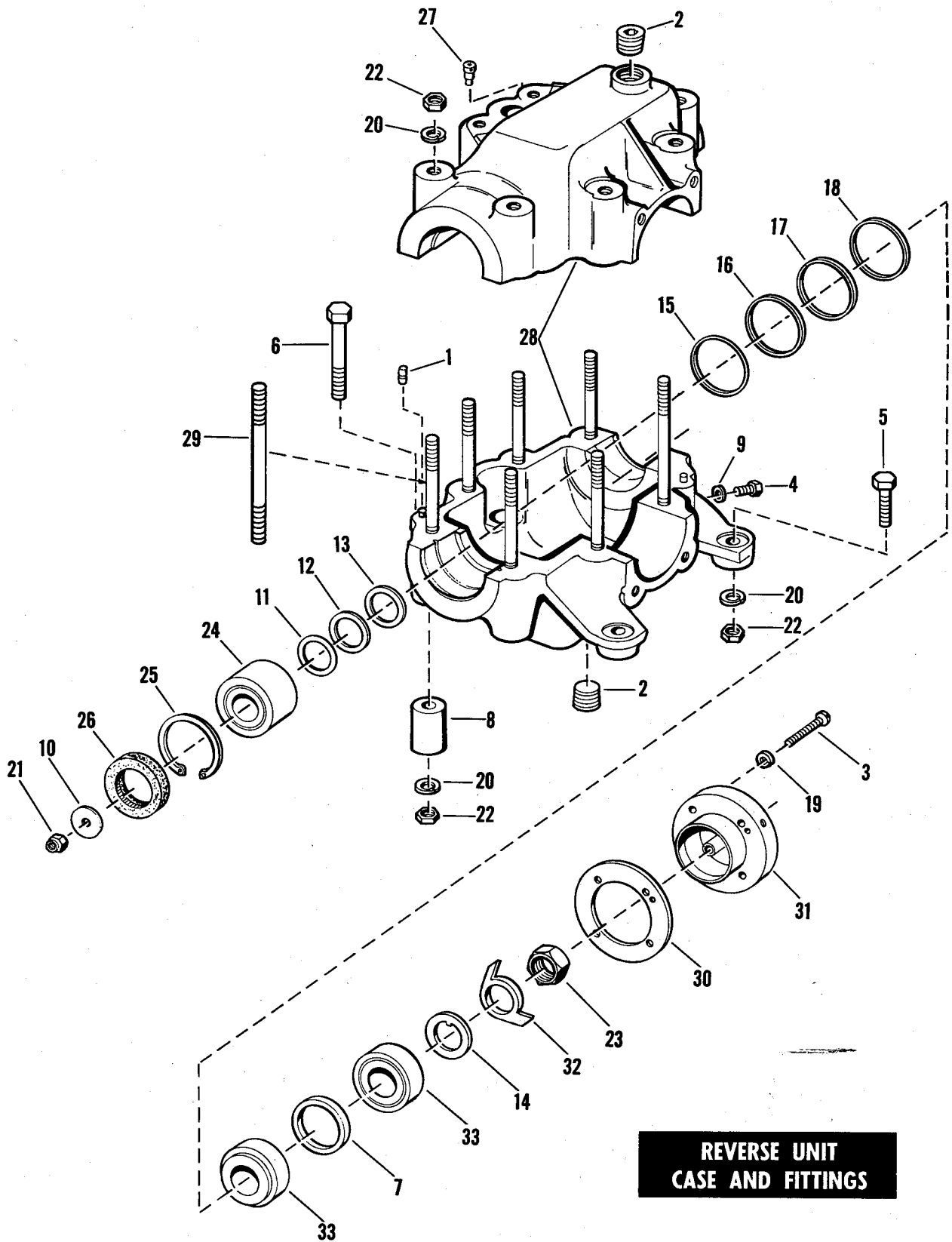
REVERSE UNIT GEARS AND FITTINGS

REVERSE UNIT GEARS AND FITTINGS, CONT'D.

INDEX NO.	PART NO.	NAME
10	9072	NEEDLE BEARING, reverse pinion assembly (2)
11	11111	O-RING, shifter fork
12	11112	O-RING, driven gear assembly
13	11209	KEY, forward and reverse pinions (2)
14	12010	OIL SEAL, driven gear assembly
	33013-63	REVERSING UNIT, complete
15	33745-31	KNOB, shift lever
16	33933-63	LOCKING PLUNGER, inner shifter clutch
17	34294-63	SHIFTER FORK
18	34526-63	SPRING, drive shaft ball
19	34528-63	SPRING, shifter clutch plunger (3)
20	34907-63	COLLAR, driven gear
21	35057-63	HUB WITH BUSHINGS, forward pinion
22	35060-63	MATCHED DRIVE GEAR AND PINION SET (Includes item 23 and two of item 34.)
23	35062-63	DRIVEN GEAR WITH COLLAR
24	35108-63	THRUST WASHER, reverse pinion
25	35116-63	BEARING COLLAR, forward pinion
26	35118-63	BEARING COLLAR, reverse pinion
27	35385-63	SHIM SET, backlash adjusting, .002
	35386-63	SHIM SET, backlash adjusting, .005
	35387-63	SHIM SET, backlash adjusting, .007
	35388-63	SHIM SET, backlash adjusting, .015
	35389-63	SHIM SET, backlash adjusting, .030
28	35663-63	SHIFT LEVER
29	36396-63	DRIVEN GEAR ASSEMBLY (less shims)
30	36416-63	HUB, reverse pinion
31	36470-63	BEARING HOUSING, driven gear
32	36474-63	FORWARD PINION ASSEMBLY
33	36476-63	REVERSE PINION ASSEMBLY
34	36478-63	PINION ONLY, forward and reverse (2)
35	36482-63	SHIFTER CLUTCH, inner
36	36484-63	SHIFTER CLUTCH, outer
37	36486-63	BUSHING, forward pinion hub (2)
38	39604-63	DRIVE SHAFT, only
39	39605-63	ADAPTER, drive coupling

REVERSE UNIT CASE AND FITTINGS

1	358	DOWEL PIN (2)
2	662	PLUG, 3/8-18 Taper Thd.
3	2791W	SCREW, 1/4-20 x 1-1/4 rd. hd. (4)
4	3728	SCREW, oil level, 1/4-20 x 1/2 hex. hd.
5	4336	BOLT, 3/8-24 x 1-1/8 hex. hd. (2)
6	4406B	BOLT, 3/8-24 x 2-1/4 hex. hd. (2)
7	5934	SPACER, forward pinion bearing
8	5935	SPACER, mounting, front (2)
9	6218W	WASHER, fibre, 1/4 x 7/16 x 1/32
10	6408	WASHER, 25/64 x 1 x 1/8
11	6877	SHIM, reverse pinion bearing, .002
12	6878	SHIM, reverse pinion bearing, .005
13	6879	SHIM, reverse pinion bearing, .007
14	6882	WASHER, 1 x 1-1/2 x 5/64
15	6922	SHIM, forward pinion bearing, .002
16	6923	SHIM, forward pinion bearing, .005
17	6924	SHIM, forward pinion bearing, .007
18	6925	SHIM, forward pinion bearing, .015
19	7036	LOCKWASHER, 1/4 (4)
20	7045	LOCKWASHER, 3/8 (12)
21	7775	NUT, 3/8-24 Flexloc
22	7793	NUT, 3/8-24 x 21/64 x 9/16 hex. (12)
23	8090	NUT, 31/32-32 x 1-1/4 x 13/32
24	9024	BALL BEARING, reverse pinion side
25	11033	RETAINING RING, reverse pinion side



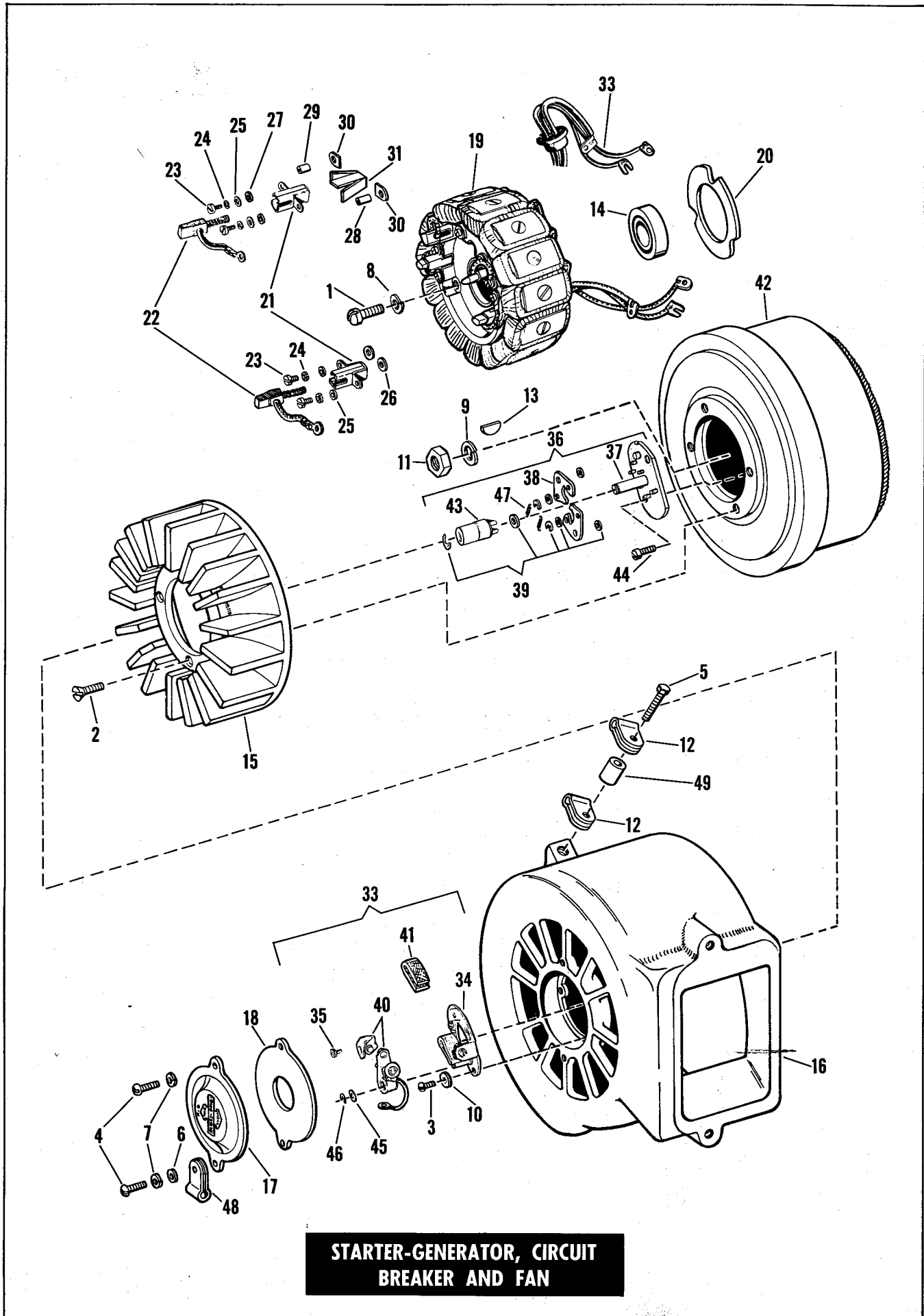
**REVERSE UNIT
CASE AND FITTINGS**

REVERSE UNIT CASE AND FITTINGS, CONT'D.

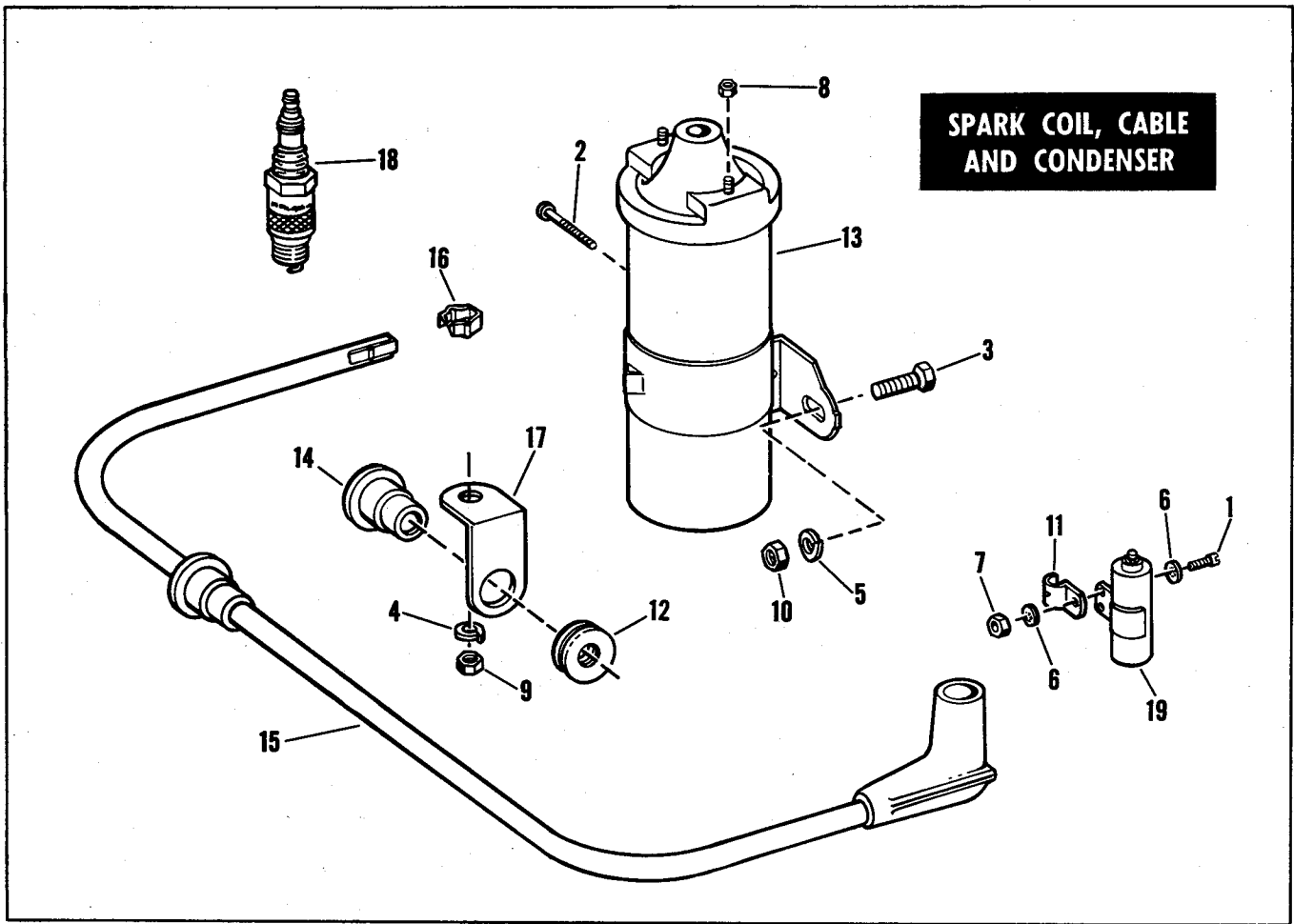
INDEX NO.	PART NO.	NAME
26	12011	OIL SEAL, reverse pinion side
27	24945-60	BREATHER PLUG
28	33975-63	SET OF REVERSE UNIT CASES
29	34721-63	STUD, mounting (8)
30	34732-63	GASKET, shaft hole cover
31	34854-63	COVER, shaft hole
32	35342-63	LOCKWASHER, shaft nut (forward pinion side)
33	48300-60	ROLLER BEARING, forward pinion (2)

STARTER-GENERATOR CIRCUIT BREAKER AND FAN

1	1367	SCREW, 1/4-28 x 5/8 fil. hd. (3)
2	1859	SCREW, 1/4-20 x 3/8 ctsk. hd. (4)
3	2626	SCREW, No. 8-32 x 1/4 rd. hd. (2)
4	2635	SCREW, No. 8-32 x 1/2 rd. hd. (2)
5	3831	BOLT, 1/4-20 x 1 hex. hd.
6	6165	WASHER, 3/16 x 3/8 x 1/32
7	7015	LOCKWASHER, No. 8 (4)
8	7035	LOCKWASHER, 1/4 (3)
9	7060	LOCKWASHER, 1/2
10	7115	LOCKWASHER, No. 8 int. tooth (2)
11	7905	NUT, 1/2-20 x 3/8 x 3/4 hex.
12	9957	CABLE CLAMP (2)
13	11208	KEY, starter-generator shaft
14	12007	OIL SEAL, stator
15	20000-63	FAN
16	20006-63	FAN HOUSING
17	25390-63	COVER, inspection
18	25391-63	GASKET, inspection cover
19	30080-63	STATOR ASSEMBLY (field), complete
20	30143-63	GASKET, stator
21	30357-63	SET OF 4 BRUSH HOLDERS
22	30381-63	SET OF 4 GENERATOR BRUSHES
23	30464-63	SCREW, brush holder (8)
24	30465-63	LOCKWASHER, brush holder (8)
25	30466-63	WASHER, brush holder (8)
26	30467-63	WASHER, negative brush holder (4)
27	30468-63	FIBRE WASHER, positive brush holder (4)
28	30480-63	BUSHING (long), positive brush holder screw (2)
29	30481-63	BUSHING (short), positive brush holder screw (2)
30	30482-63	INSULATOR, positive brush holder (4)
31	30483-63	INSULATING SHEATH, positive brush holder (2)
32	30490-63	CABLE ASSEMBLY, stator (field)
33	30504-63	CIRCUIT BREAKER AND PLATE ASSEMBLY
34	30505-63	CIRCUIT BREAKER PLATE
35	30525-63	SCREW, stationary contact
36	30580-63	SPARK ADVANCE ASSEMBLY
37	30581-63	BASE PLATE, spark advance
38	30582-63	GOVERNOR WEIGHT (2)
39	30590-63	CAM WASHER KIT
40	30607-63	SET OF CONTACT POINTS
41	30751-63	OIL FELT, breaker plate
42	30858-63	ROTOR (ARMATURE) complete
43	32541-63	CAM, circuit breaker
44	32544-63	SCREW, spark advance mounting (2)
45	32557-63	WASHER, movable contact pin
46	32558-63	CLIP, movable contact pin
47	32559-63	SPRING, governor weight (2)
48	71795-63	CABLE CLAMP
49	91265-58	SPACER, cable clamp



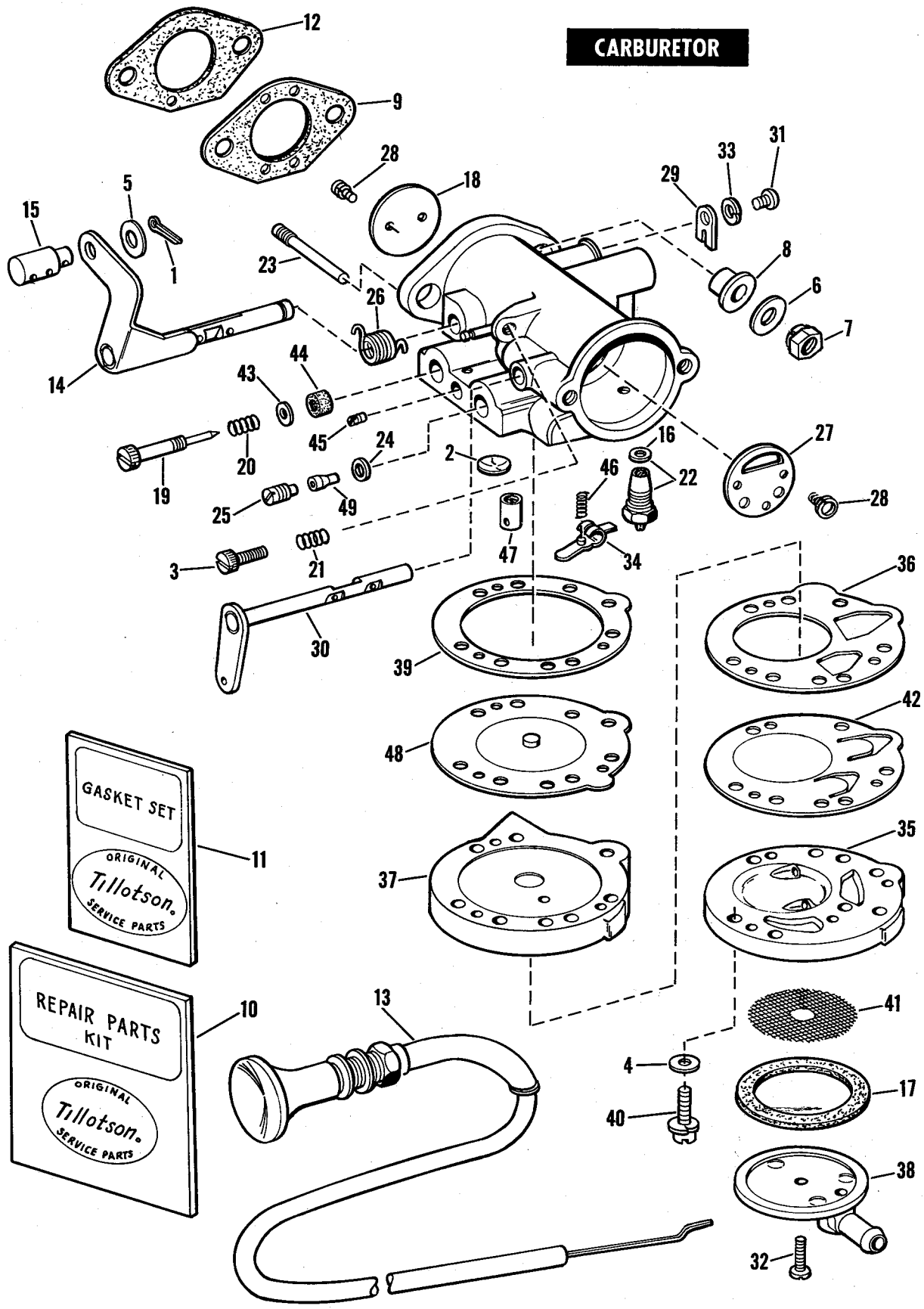
**STARTER-GENERATOR, CIRCUIT
BREAKER AND FAN**



SPARK COIL, CABLE AND CONDENSER

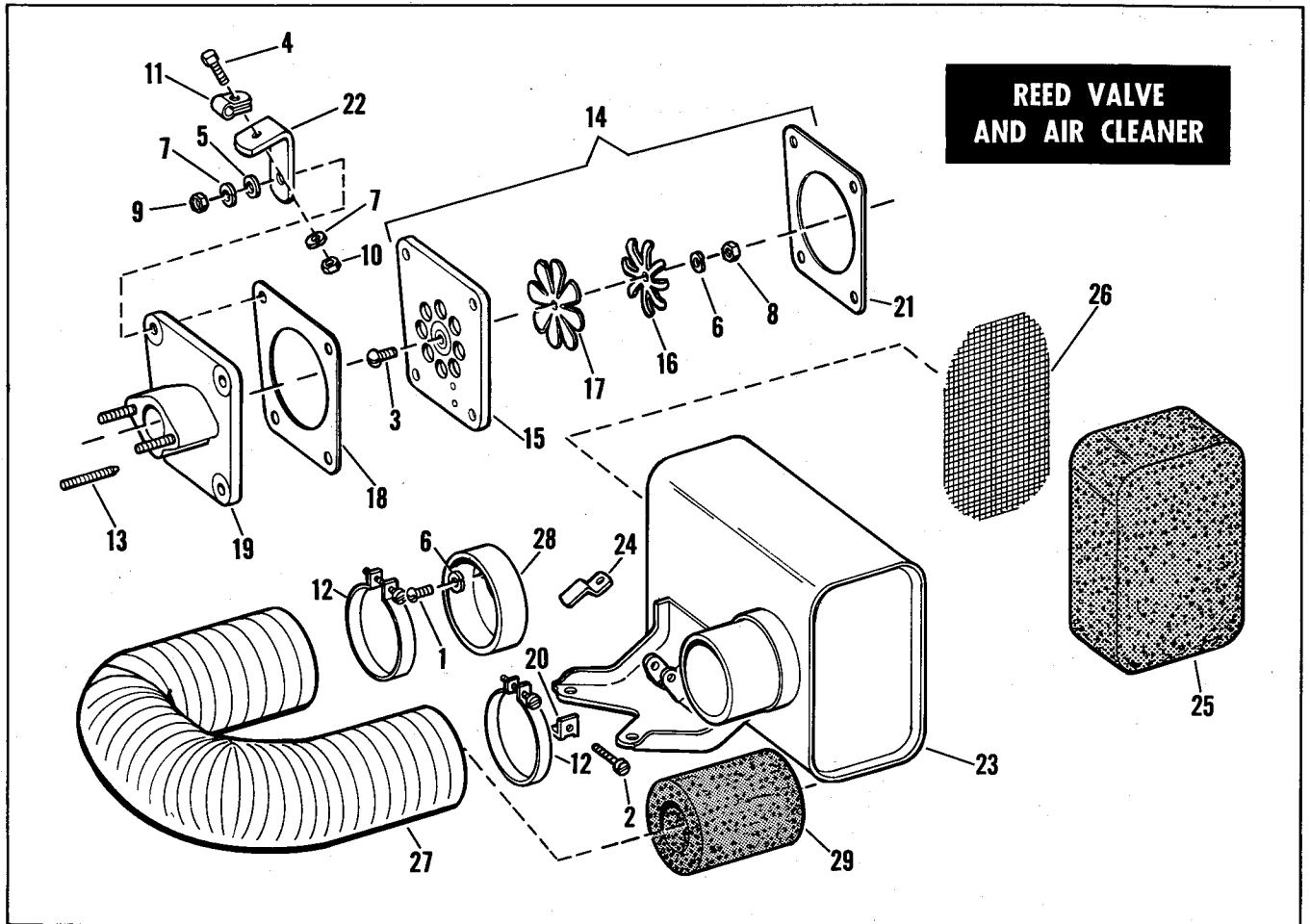
INDEX NO.	PART NO.	NAME
1	997	SCREW, No. 6-32 x 3/8 fil. hd. (2)
2	1240	SCREW, No. 10-32 x 1-1/2 rd. hd.
3	3956	BOLT, 5/16-24 x 9/16 hex. hd. (2)
4	7035	LOCKWASHER, 1/4
5	7040	LOCKWASHER, 5/16 (2)
6	7112	LOCKWASHER, No. 6 int. tooth (4)
7	7590	NUT, No. 6-32 x 7/64 x 5/16 hex. (2)
8	7634	NUT, No. 10-32 x 1/8 x 5/16 (brass) (2)
9	7675	NUT, 1/4-28 x 3/16 x 7/16 hex.
10	7752	NUT, 5/16-24 x 17/64 x 1/2 hex. (2)
11	9982	WIRE CLAMP
12	11401	GROMMET, spark plug cable
13	31601-63	SPARK COIL
14	31612-47	NIPPLE, spark plug cable
15	31618-59	SPARK COIL CABLE ASSEMBLY
16	31620-47	TERMINAL, spark plug cable
17	31731-63	CABLE BRACKET
18	32303-47A	SPARK PLUG, No. 3
19	32724-63	CONDENSER

CARBURETOR



CARBURETOR

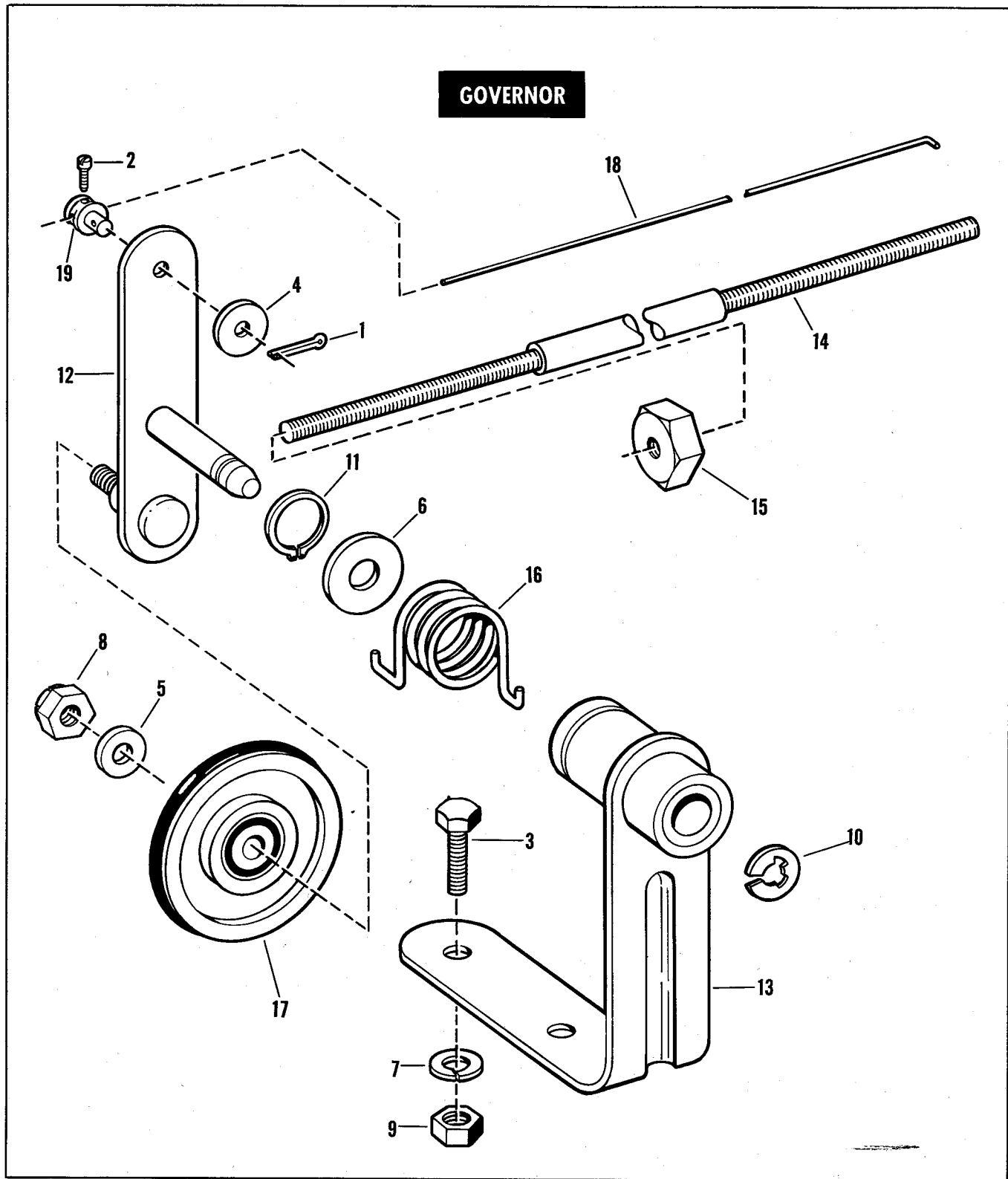
INDEX NO.	PART NO.	NAME
1	510	COTTER PIN, 1/16 x 1/2.....
2	652	WELCH PLUG.....
3	2546W	SCREW, throttle stop.....
4	6075	WASHER, 5/32 x 5/16 x 1/32.....
5	6220	WASHER, 1/4 x 7/16 x 1/32 (2).....
6	6242	WASHER, 1/4 x 9/16 x 1/32 (2).....
7	7682	NUT, 1/4-28 Flexloc (2).....
8	27053-63	BUSHING, insulating (2).....
9	27071-63	GASKET, carburetor mounting.....
10	27135-63	REPAIR PARTS KIT.....
11	27138-63	GASKET SET.....
	27158-63	CARBURETOR, complete.....
12	27227-63	INSULATOR, carburetor mounting (3).....
13	27245-63	CHOKE CONTROL CABLE ASSEMBLY.....
14	27276-63	THROTTLE SHAFT AND LEVER ASSEMBLY.....
15	27346-63	WIRE BLOCK, throttle.....
16	27413-63	GASKET, inlet valve seat.....
17	27601-63	GASKET, inlet cover.....
18	27674-63	CHOKE DISC.....
19	27688-63	SCREW, idle adjusting.....
20	27689-55	SPRING, idle adjusting screw.....
21	27691-59	SPRING, throttle stop screw.....
22	27693-63	INLET VALVE NEEDLE, SEAT AND GASKET.....
23	27696-63	SCREW, inlet valve pinion.....
24	27703-55	GASKET, main orifice plug.....
25	27704-61	PLUG SCREW, main orifice.....
26	27706-63	SPRING, throttle shaft return.....
27	27714-63	THROTTLE DISC.....
28	27720-61	SCREW WITH LOCKWASHER, choke and throttle discs (4).....
29	27726-61	CLIP, throttle shaft.....
30	27730-63	CHOKE SHAFT AND LEVER.....
31	27732-61	SCREW, throttle shaft clip.....
32	27732-63	SCREW, inlet cover.....
33	27733-61	LOCKWASHER, throttle shaft clip screw.....
34	27740-63	LEVER, inlet valve.....
35	27760-63	BODY, fuel pump.....
36	27761-63	GASKET, fuel pump.....
37	27804-63	COVER, diaphragm.....
38	27805-63	COVER, inlet.....
39	27806-63	GASKET, diaphragm cover.....
40	27807-63	SCREW AND LOCKWASHER, pump body (6).....
41	27808-63	SCREEN, inlet.....
42	27809-63	DIAPHRAGM, fuel pump.....
43	27810-63	WASHER, idle mixture screw.....
44	27811-63	PACKING, idle mixture screw.....
45	27812-63	SCREW, diaphragm chamber drain.....
46	27813-63	SPRING, inlet valve lever.....
47	27815-63	CHECK VALVE.....
48	27816-63	DIAPHRAGM.....
49	27819-63	MAIN FUEL JET (size .037).....
	27820-63	MAIN FUEL JET (size .039) std.....
	27821-63	MAIN FUEL JET (size .041).....
	27822-63	MAIN FUEL JET (size .043).....



REED VALVE AND AIR CLEANER

INDEX NO.	PART NO.	NAME
1	1183	SCREW, No. 10-32 x 5/16 rd. hd. (2).....
2	1214	SCREW, No. 10-24 x 1-1/16 fil. hd.
3	2673	SCREW, No. 10-32 x 7/16 rd. hd. (brass)
4	3767B	BOLT, 1/4-20 x 9/16 hex. hd.
5	6242	WASHER, 1/4 x 9/16 x 1/32 (4).....
6	7021	LOCKWASHER, No. 10 (3)
7	7035	LOCKWASHER, 1/4 (5)
8	7634	NUT, No. 10-32 x 5/16 x 1/8 (brass).....
9	7676	NUT, 1/4-28 x 3/16 x 7/16 hex. (4).....
10	7688	NUT, 1/4-20 x 1/4 x 1/2 hex.
11	9957	CLAMP, choke control coil (2).....
12	9991A	HOSE CLAMP (2)
13	24811-63	STUD, carburetor mounting (2)
14	26901-63	REED PLATE ASSEMBLY
15	26903-63	REED PLATE
16	26905-59	REED STOP
17	26906-59	LEAF, reed valve.....
18	26908-63	GASKET, reed plate.....
19	27020-63	INTAKE MANIFOLD, with studs
20	27065-57	BUCKLE, hose clamp
21	27069-63	GASKET, manifold
22	27237-63	BRACKET, choke control coil
23	29004-63	AIR CLEANER, complete
24	29104-63	SPRING CLIP, governor nut
25	29130-61	FILTER ELEMENT
26	29134-61	SCREEN, air cleaner
27	29185-63	HOSE, air intake.....
28	29188-63	CONNECTION, air intake
29	29198-63	SILENCER, air intake

GOVERNOR



GOVERNOR

INDEX NO.	PART NO.	NAME
1	510	COTTER PIN, 1/16 x 1/2
2	1058W	SCREW, No. 8-32 x 5/16 fil. hd.
3	3974	BOLT, 5/16-24 x 3/4 hex. hd. (2)
4	6182	WASHER, 7/32 x 7/16 x 1/32.....

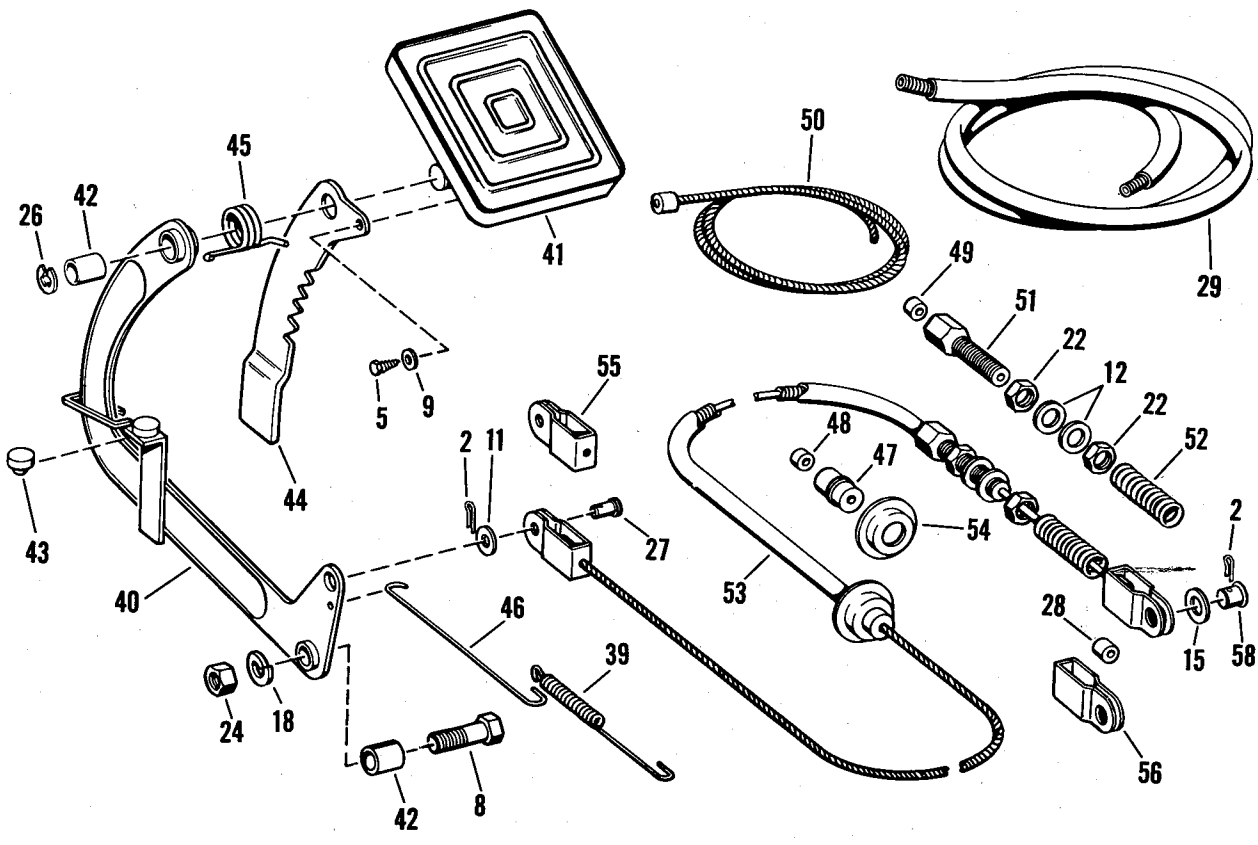
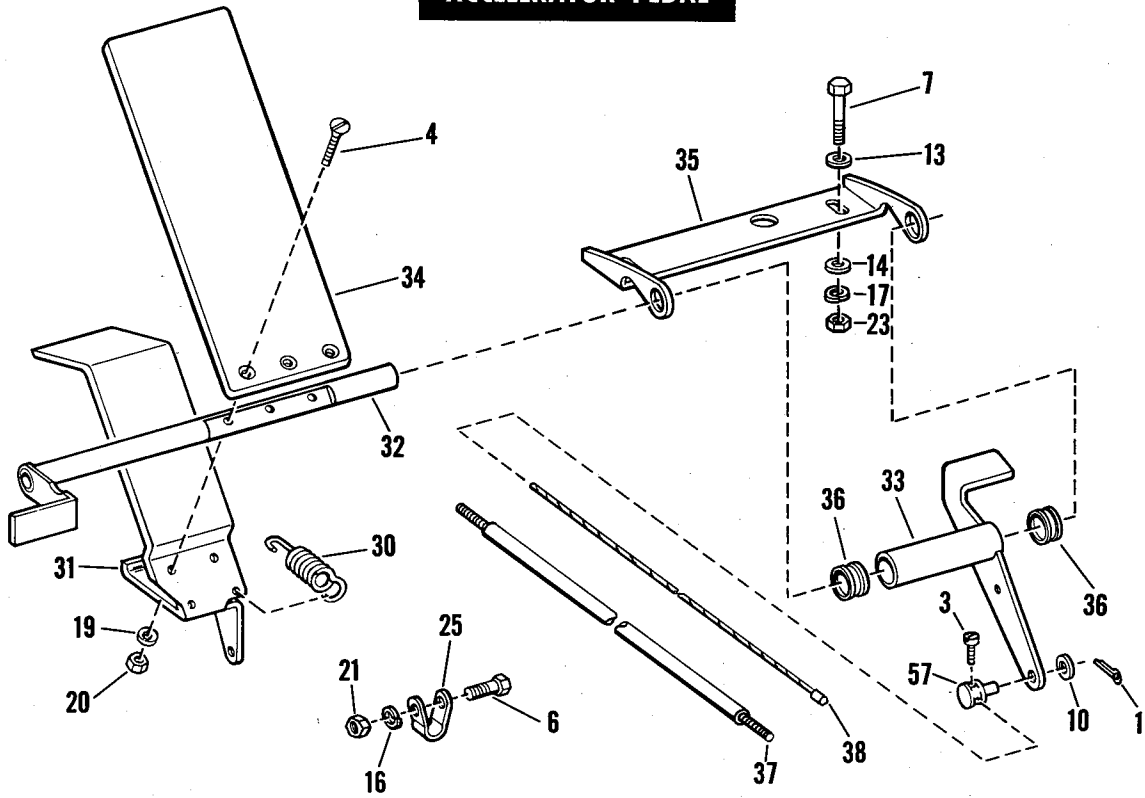
GOVERNOR, CONT'D.

INDEX NO.	PART NO.	NAME
5	6236	WASHER, 1/4 x 1/2 x 1/32.....
6	6762	WASHER, 11/16 x 59/64 x 1/32.....
7	7040	LOCKWASHER, 5/16 (2).....
8	7682	NUT, 1/4-28 Flexloc (2).....
9	7752	NUT, 5/16-24 x 17/64 x 1/2 hex. (2).....
10	11029	RETAINING RING, arm.....
11	11030	RETAINING RING, spring.....
12	26801-63	GOVERNOR ARM.....
13	26802-63	BRACKET, governor.....
14	26808-63	CONTROL COIL, governor.....
15	26816-63	NUT, control coil adjusting.....
16	26817-63	SPRING, governor arm.....
17	26820-63	ROLLER ASSEMBLY, governor.....
18	73061-63	CONTROL WIRE, governor.....
19	73092-59	WIRE BLOCK.....

ACCELERATOR AND BRAKE PEDALS

1	510	COTTER PIN, 1/16 x 1/2.....
2	515	COTTER PIN, 1/16 x 3/4 (2).....
3	1058W	SCREW, No. 8-32 x 5/16 fil. hd.
4	1768W	SCREW, No. 10-24 x 13/16 ctsk. hd. (3).....
5	3669W	SCREW, No. 10 x 7/8 self-tapping hex. hd.
6	3767B	BOLT, 1/4-20 x 9/16 hex. hd.
7	3991	BOLT, 5/16-18 x 7/8 hex. hd. (3).....
8	4370	BOLT, 3/8-24 x 1-9/16 hex. hd.
9	6150	WASHER, No. 10 x 3/8 x 1/16.....
10	6182	WASHER, No. 10 x 7/16 x 1/32.....
11	6242	WASHER, 1/4 x 9/16 x 1/32.....
12	6310	WASHER, 5/16 x 9/16 x 1/32 (2).....
13	6320	WASHER, 5/16 x 11/16 x 1/16 (2).....
14	6341	WASHER, 5/16 x 1-1/8 x 1/16 (2).....
15	6375	WASHER, 3/8 x 37/64 x 1/32.....
16	7035	LOCKWASHER, 1/4.....
17	7040	LOCKWASHER, 5/16 (2).....
18	7045	LOCKWASHER, 3/8.....
19	7118	LOCKWASHER, No. 10 int. tooth (3).....
20	7620	NUT, No. 10-24 x 1/8 x 3/8 hex. (3).....
21	7685	NUT, 1/4-20 x 9/32 x 7/16 hex.
22	7744	NUT, 5/16-24 x 3/16 x 1/2 hex. (2).....
23	7748	NUT, 5/16-18 x 17/64 x 1/2 hex. (2).....
24	7793	NUT, 3/8-24 x 21/64 x 9/16.....
25	9957	CLAMP, throttle control coil.....
26	11000	RETAINING RING, brake pedal.....
27	33874-41	CLEVIS PIN, brake cable, (pedal end).....
28	36712-42	CABLE END, brake cable.....
29	38613-62	COIL, brake cable.....
30	40503-63	SPRING, accelerator pedal (2).....
31	40504-63	STOP BRACKET, accelerator.....
32	40512-63	INTERLOCK SHAFT, accelerator.....
33	40514-63	ACCELERATOR LEVER.....
34	40516-63	ACCELERATOR PEDAL.....
35	40518-63	BRACKET, accelerator.....
36	40522-63	BUSHING, accelerator (2).....
37	40526-63	CONTROL COIL, throttle.....
38	40528-63A	CONTROL WIRE, throttle.....
39	41834-59	SPRING, brake pedal.....
40	42405-63	LEVER, brake pedal.....
41	42479-63	BRAKE PEDAL.....
42	42482-63	BUSHING, brake lever (2).....
43	42483-63	BUMPER, brake lever (rubber).....
44	42488-63	RATCHET, brake lever.....
45	42494-63	RATCHET SPRING, brake lever.....
46	42502-63	PULL WIRE, brake pedal spring.....

ACCELERATOR PEDAL



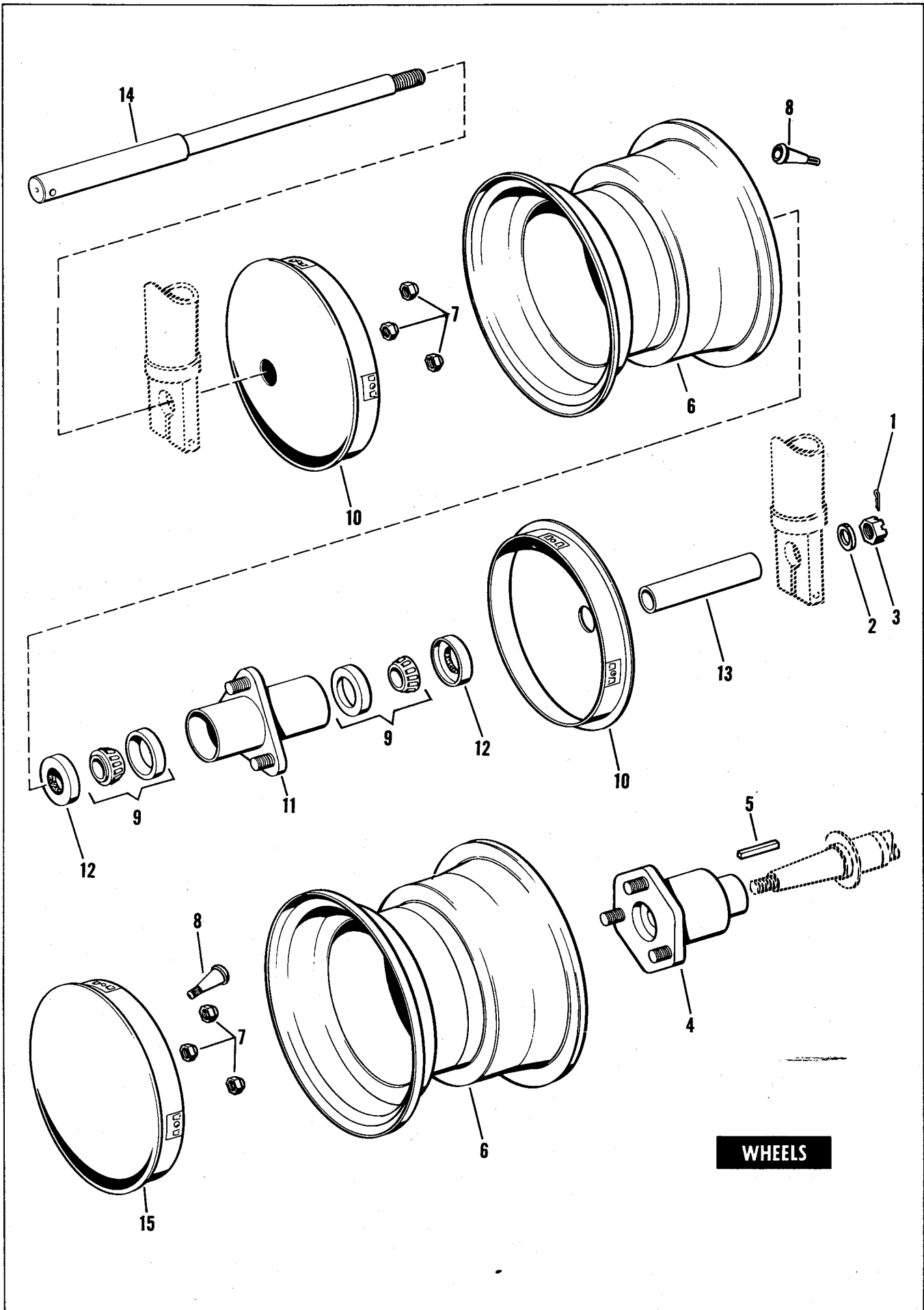
BRAKE PEDAL

ACCELERATOR AND BRAKE PEDALS, CONT'D.

INDEX NO.	PART NO.	NAME
47	42904-62	FERRULE, brake cable.....
48	42908-62	SEAL, brake cable.....
49	45111-51	FELT PACKING, brake cable.....
50	45137-51	CABLE CORE, brake.....
51	45161-51A	ADJUSTING SCREW, brake cable.....
52	47738-63	RETURN SPRING, brake cable.....
53	47740-63	BRAKE CONTROL CABLE AND COIL, complete.....
54	47743-63	RETAINER, brake cable.....
55	47751-63	CLEVIS, brake cable (pedal end).....
56	73063-61	CLEVIS, brake cable (brake end).....
57	73092-59	WIRE BLOCK, accelerator lever.....
58	73092-61	CLEVIS PIN, brake cable (brake end).....

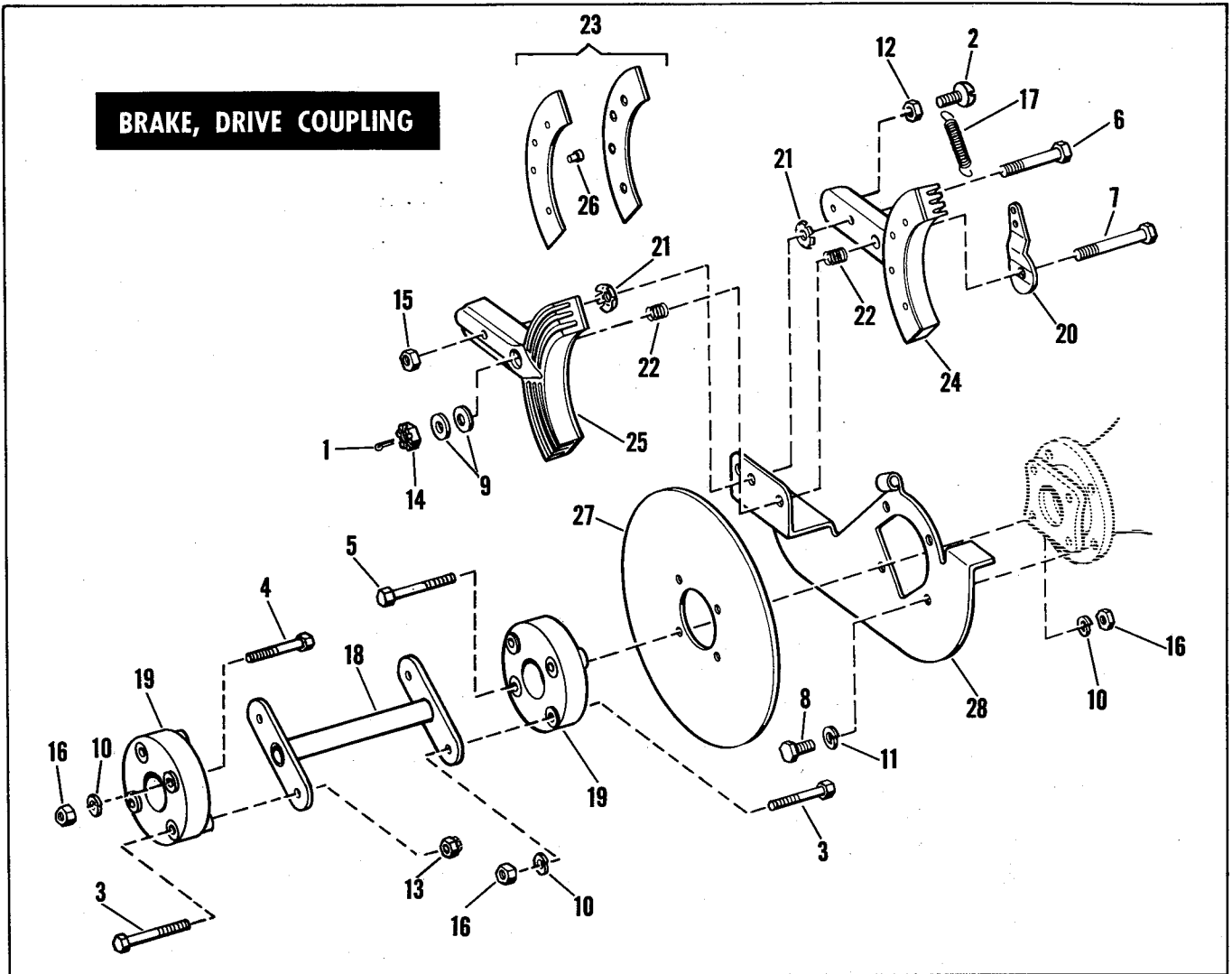
WHEELS

1	534	COTTER PIN, 3/32 x 1.....
2	6722	WASHER, 5/8 x 1-1/8 x 1/32.....
3	7947W	CASTLE NUT, 5/8-18 x 1/2 x 15/16 hex.....
4	41024-63	HUB, rear wheel (2).....
5	41204-63	KEY, rear wheel hub (2).....
6	43017-63	WHEEL RIM (3).....
7	43152-63	WHEEL NUT, 5/16-24 (9).....
8	43156-63	VALVE, with core (3).....
	43490-63	WHEEL WITH TIRE, less hub (front and rear).....
9	43555-63	FRONT WHEEL BEARING, complete (2).....
10	43600-63	HUB CAP, front wheel (2).....
11	43614-63	HUB, front wheel.....
12	43732-63	OIL SEAL, front wheel (2).....
13	43738-63	SPACER, front axle.....
14	43874-63	FRONT AXLE.....
15	83961-63	HUB CAP, rear wheel (2).....



WHEELS

BRAKE, DRIVE COUPLING



BRAKE, DRIVE COUPLING

INDEX NO.	PART NO.	NAME
1	515	COTTER PIN, 1/16 x 3/4.....
2	2793B	SCREW, 1/4-20 x 1-1/2 rd. hd.
3	4035B	BOLT, 5/16-24 x 1-1/2 hex. hd. (4).....
4	4042HW	BOLT, 5/16-24 x 1-3/4 hex. hd. (2).....
5	4055B	BOLT, 5/16-24 x 2-1/4 hex. hd. (2).....
6	4060	BOLT, 5/16-24 x 2-1/4 hex. hd.
7	4065	BOLT, 5/16-24 N. F. x 2-3/4 hex. hd.
8	4293	BOLT, 3/8-16 x 25/32 hex. hd. (4)
9	6316	WASHER, 5/16 x 5/8 x 1/16 (2).....
10	7040	LOCKWASHER, 5/16 (8)
11	7045	LOCKWASHER, 3/8 (4).....
12	7685	NUT, 1/4-20 x 9/32 x 7/16 hex.
13	7727	NUT, 5/16-24 Flexloc (2)
14	7728	CASTLE NUT, 5/16-24 x 5/16 x 1/2
15	7729	LOCK NUT, 5/16-24 x 1/4 x 1/2 hex.
16	7752	NUT, 5/16-24 x 17/64 x 1/2 hex. (6).....
17	37222-52	SPRING, brake cam lever
18	39600-63	SHAFT, drive coupling
19	39601-63	RUBBER, drive coupling (2).....
20	41421-63	BRAKE CAM LEVER
21	41424-63	SPRING WASHER (2)
22	41728-63	SPRING, brake shoe (2).....
23	41810-63	SET OF BRAKE LININGS AND RIVETS.....

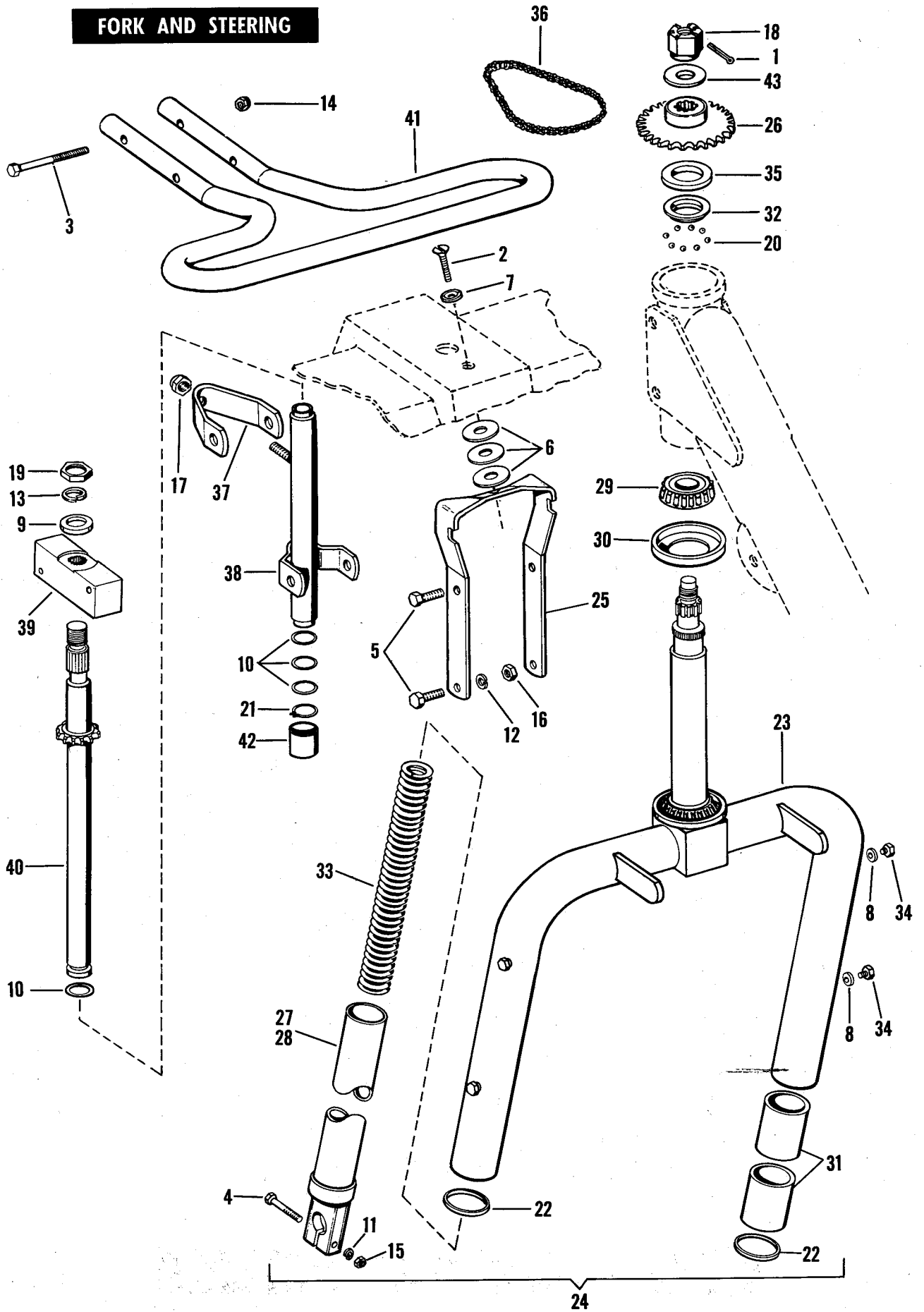
BRAKE, DRIVE COUPLING, CONT'D.

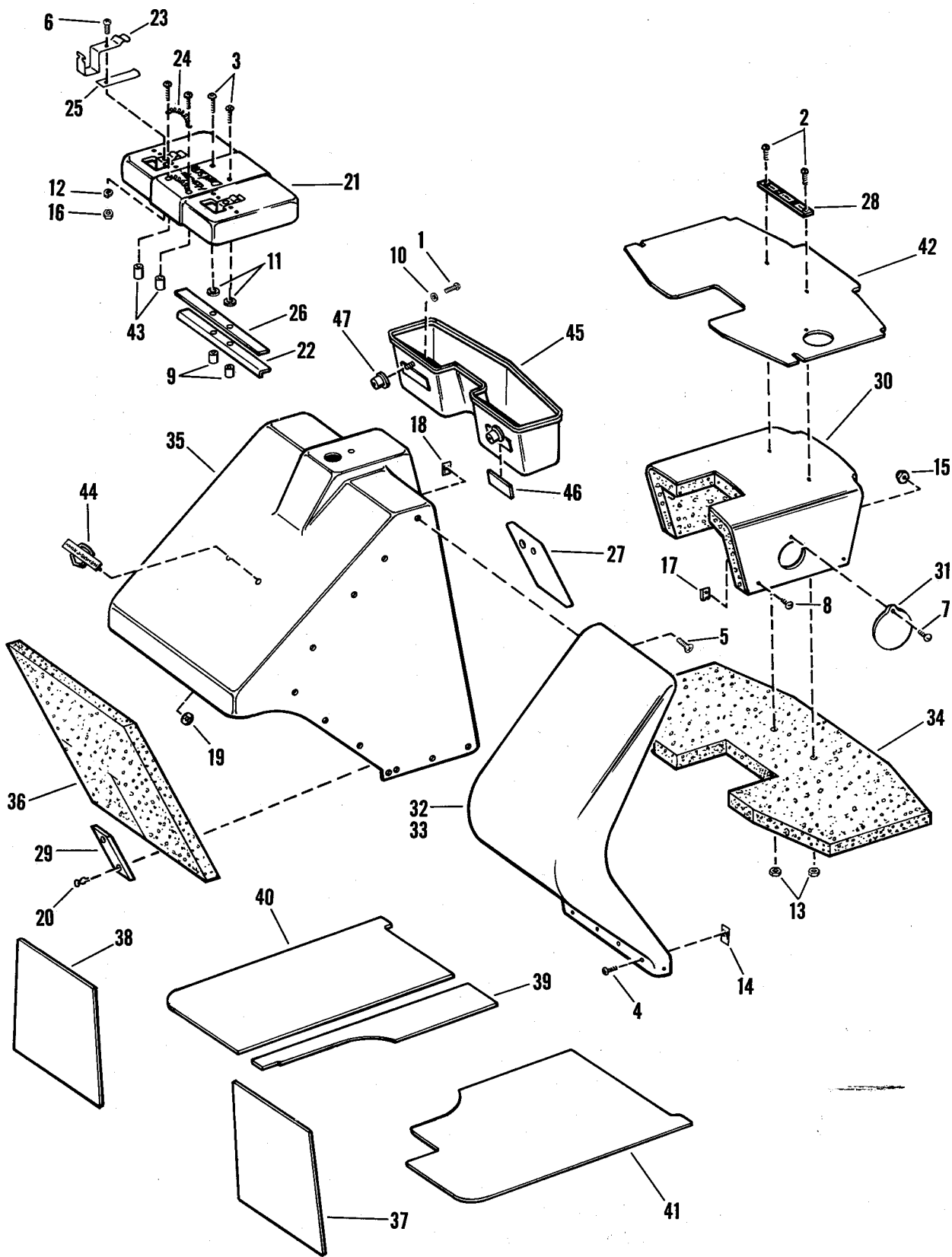
INDEX NO.	PART NO.	NAME
24	41811-63	BRAKE SHOE, rear
25	41812-63	BRAKE SHOE, front.....
26	41841-63	RIVET, brake lining (pkg. 25).....
27	47744-63	BRAKE DISC.....
28	47745-63	BRACKET, brake mounting.....

FORK AND STEERING

1	559	COTTER PIN, 1/8 x 1-1/4.....
2	2633	SCREW, 1/4-20 x 1 ctsk. hd.
3	3940	BOLT, 1/4-28 x 3-1/2 hex. hd. (2).....
4	4041W	BOLT, 5/16-24 x 1-5/8 hex. hd.
5	4320B	BOLT, 3/8-24 x 1 hex. hd. (4).....
6	5927	RUBBER WASHER, 11/32 x 1-1/2 x 3/32 (3).....
7	6102	CUP WASHER, 9/32 x 11/16 x 1/16.....
8	6218W	WASHER, 1/4 x 7/16 x 1/32 (fibre) (4).....
9	6714	WASHER, 5/8 x 1 x 1/32.....
10	6801B	WASHER, 3/4 x 7/8 x .007 (as required).....
11	7041	LOCKWASHER, 5/16 (2).....
12	7045	LOCKWASHER, 3/8 (2).....
13	7070B	LOCKWASHER, 5/8.....
14	7683	NUT, 1/4-28 Flexloc (2).....
15	7753	NUT, 5/16-24 x 17/64 x 1/2 hex. (2).....
16	7793	NUT, 3/8-24 x 21/64 x 9/16 hex. (2).....
17	7805	NUT, 3/8-24 Flexloc.....
18	7947W	CASTLE NUT, 5/8-18 x 1/2 x 15/16 hex.
19	7988	NUT, 5/8-18 x 1/4 x 1 hex.
20	8854	BALL, steering head (23).....
21	11032	RETAINING RING (Truarc).....
22	12009	OIL SEAL (2).....
23	45525-63	FORK WITH BUSHINGS.....
24	45527-63	FORK ASSEMBLY, complete.....
25	45584-63	STEERING HEAD BRACKET.....
26	45587-63	STEERING SPROCKET.....
27	45593-63	FORK SLIDER, right.....
28	45594-63	FORK SLIDER, left.....
29	45595-63	BEARING CONE, steering head lower.....
30	45599-63	BEARING GUARD, steering head.....
31	45630-63	BUSHING, fork tube (4).....
32	45736-47	BEARING CONE, steering head upper.....
33	46049-63	FORK SPRING (2).....
34	46201-52	FORK PLUG (4).....
35	48360-47	BEARING GUARD, steering head upper.....
36	57006-63	STEERING CHAIN.....
37	57008-63	CHAIN ADJUSTMENT BRACKET.....
38	57011-63	TILLER SHAFT TUBE ASSEMBLY.....
39	57017-63	TILLER BAR HEAD.....
40	57021-63	TILLER SHAFT.....
41	57025-63	TILLER BAR, complete.....
42	57031-63	CAP, tiller shaft.....
43	83975-37	WASHER, steering head, 41/64 x 1-1/2 x 1/16.....

FORK AND STEERING



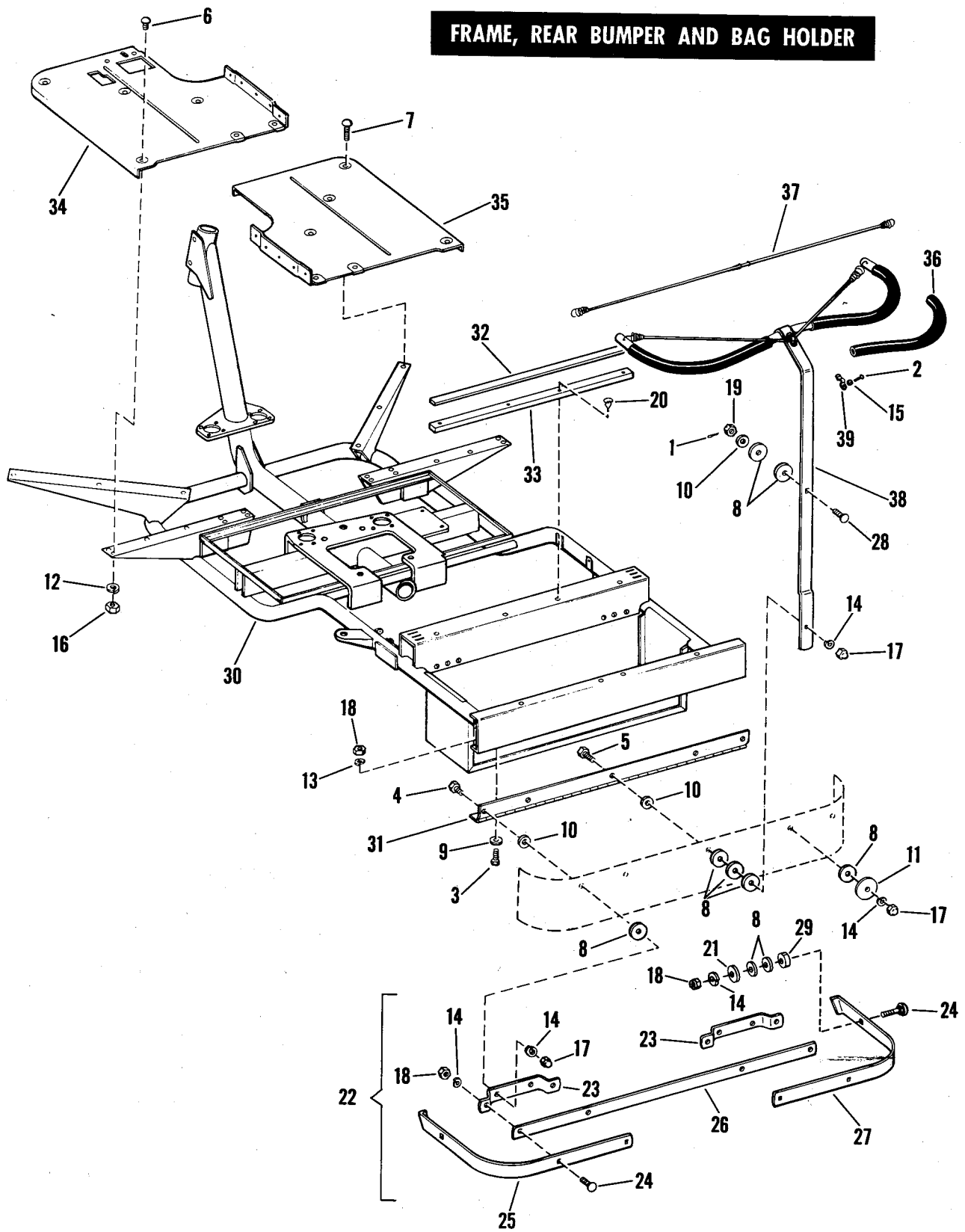


FORK HOUSING, SHIELDS, ACCESSORY PANEL AND CARRY-ALL

FORK HOUSING, SHIELDS, ACCESSORY PANEL AND CARRY-ALL

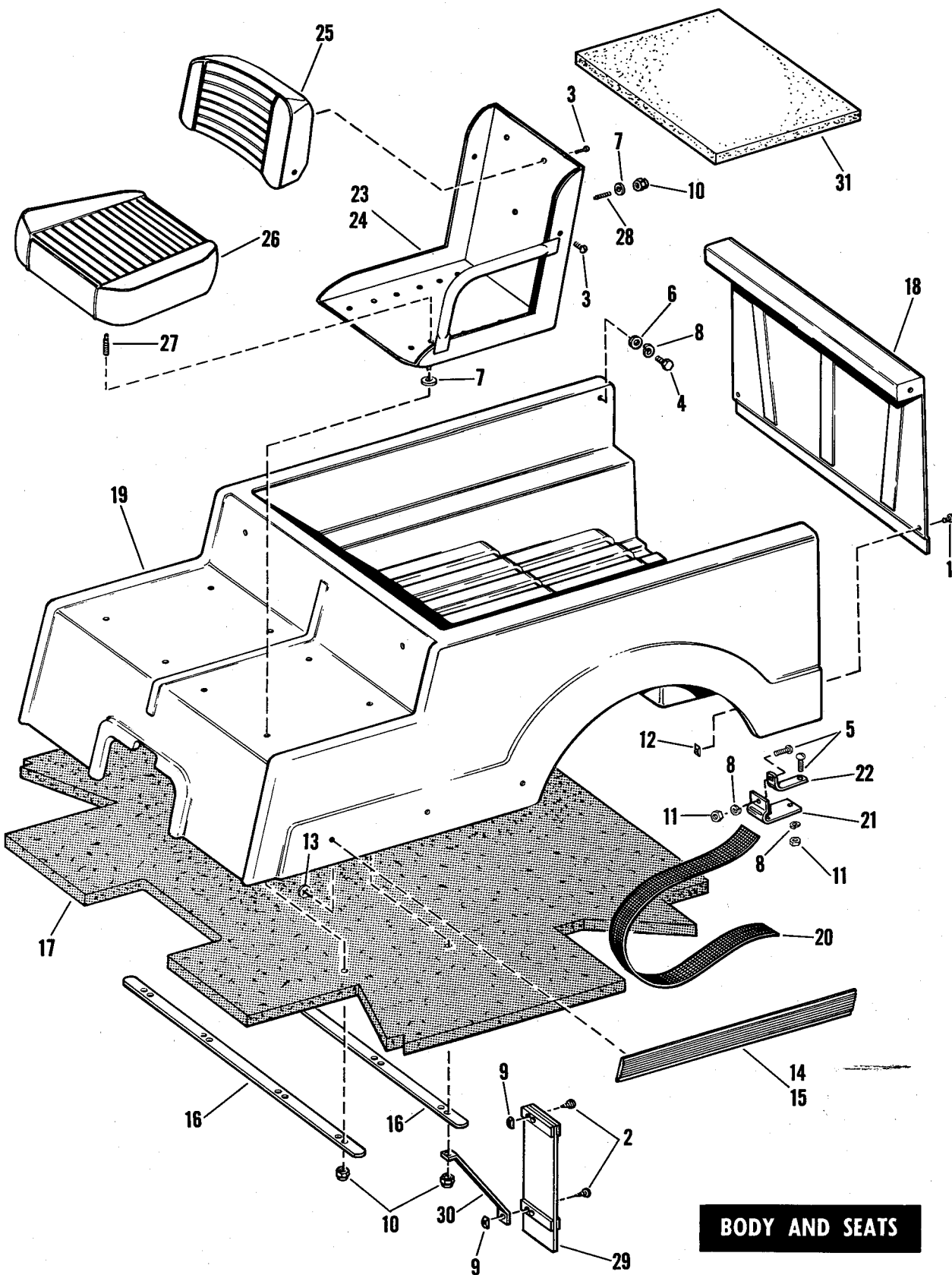
INDEX NO.	PART NO.	NAME
1	2336	SCREW, 1/4-20 x 1-1/8 ov. hd. (2).....
2	2547W	SCREW, No. 4-48 x 1/2 rd. hd. (2).....
3	2643	SCREW, No. 8-32 x 1-1/4 Phil. hd. (4).....
4	2676C	SCREW, No. 10-24 x 5/8 self-tapping Phil. hd. (18).....
5	2679W	SCREW, No. 10-24 x 9/16 Phil. hd. (16).....
6	2682	SCREW, No. 10-32 x 3/8 Phil. hd. (2).....
7	2684W	SCREW, No. 10-32 x 5/8 rd. hd.
8	2731W	SCREW, No. 10 x 3/8 self-tapping rd. hd. (4)
9	5929	SPACER, accessory panel (rear) (2)
10	6102	CUP WASHER, carry-all (2)
11	6170	WASHER, No. 10 x 3/8 x 1/8 (2).....
12	7021	LOCKWASHER, No. 10 (2).....
13	7560	NUT, No. 4-48 x 3/32 x 1/4 hex. (2)
14	7613A	SPEED NUT, No. 10 (18).....
15	7625	NUT, No. 10-32 Flexloc
16	7638	NUT, No. 10-32 x 1/8 x 3/8 hex. (2)
17	8115B	SPEED NUT, No. 10 (4)
18	8121	SPEED NUT, No. 10 (16)
19	8129B	SPEED NUT, name plate (2).....
20	10010	CLIP, Insulation pad retainer (4).....
21	31402-63	ACCESSORY PANEL
22	31404-63	REINFORCEMENT, accessory panel
23	31408-63	PENCIL CLIP (2)
24	31410-63	CIGARETTE HOLDER.....
25	31414-63	SCORE CARD CLIP (2).....
26	31416-63	PAD, accessory panel
27	33214-63	INSTRUCTION PLATE
28	33797-63	INSTRUCTION PLATE, forward-reverse.....
29	44918-63	RETAINER, insulation pad (2).....
30	50201-63	MOTOR COVER.....
31	50218-63	COVER PLATE, inspection hole.....
32	50253-63	SHIELD, left side.....
33	50255-63	SHIELD, right side.....
34	50259-63	INSULATION PAD, motor cover
35	50260-63	FORK HOUSING
36	50262-63	INSULATION PAD, front.....
37	50530-63	FLOOR MAT, left.....
38	50531-63	FLOOR MAT, right.....
39	50532-63	FLOOR MAT, right inner.....
40	50533-63	FLOOR MAT, right outer.....
41	50534-63	FLOOR MAT, left.....
42	50536-63	MOTOR COVER MAT
43	57029-63	SPACER, accessory panel (front) (2)
44	61779-63	NAME PLATE
45	64000-63	CARRY-ALL, complete with fittings.....
46	64009-63	PAD, carry-all (2).....
47	64511-63	WELL NUT, carry-all (2).....

FRAME, REAR BUMPER AND BAG HOLDER



FRAME, REAR BUMPER AND BAG HOLDER

INDEX NO.	PART NO.	NAME
1	515	COTTER PIN, 1/16 x 3/4.....
2	2630W	SCREW, No. 8-32 x 5/16 self-tapping rd. hd. (2).....
3	3959	BOLT, 5/16-18 x 9/16 hex. hd. (4).....
4	4000	BOLT, 5/16-24 x 1 hex. hd. (4).....
5	4014W	BOLT, 5/16-24 x 1-1/4 hex. hd.
6	5403B	CARRIAGE BOLT, 1/4-20 x 3/8 (10).....
7	5406B	CARRIAGE BOLT, 1/4-20 x 1-1/8 (2).....
8	5927	RUBBER WASHER, 11/32 x 1-1/2 x 3/32 (13).....
9	6332	WASHER, 5/16 x 15/16 x 1/16 (4).....
10	6341	WASHER, 5/16 x 1-1/8 x 1/16 (5).....
11	6678W	WASHER, 1/4 x 1-1/2 x 3/16 (4) (not used with rear bumper).....
12	7035	LOCKWASHER, 1/4 (12).....
13	7040	LOCKWASHER, 5/16 x 9/16 (6).....
14	7041	LOCKWASHER, 5/16 x 19/32 (9).....
15	7115	LOCKWASHER, No. 8 int. tooth (2).....
16	7685	NUT, 1/4-20 x 9/32 x 7/16 hex. (12).....
17	7736	ACORN NUT, 5/16-24 (5).....
18	7748W	NUT, 5/16-18 x 17/64 x 1/2 hex. (6).....
19	7757W	CASTLE NUT, 5/16-18 x 1/4 x 1/2 hex.
20	10010	CLIP, body cushion (8).....
21	31067-63	WASHER, bumper mounting (2).....
22	44909-63	REAR BUMPER ASSEMBLY, complete.....
23	44911-63	REAR BUMPER BRACKET (2).....
24	44912-63	CARRIAGE BOLT, bumper, 5/16-18 x 1-1/16 (6).....
25	44913-63A	BUMPER, left rear.....
26	44914-63	BUMPER, center rear.....
27	44915-63A	BUMPER, right rear.....
28	44916-63	CARRIAGE BOLT, 5/16-18 x 1-1/16 (drilled).....
29	44917-63	SPACER, bumper body (2).....
30	47017-63	FRAME, complete.....
31	50270-63	BODY HINGE.....
32	50273-63	BODY CUSHION, front upper.....
33	50275-63	BODY CUSHION, front and rear (2).....
34	50514-63	FLOOR PANEL, left.....
35	50519-63	FLOOR PANEL, right.....
36	53482-63	RUBBER TUBE, bag holder (2).....
37	53486-63	CORD, bag holder.....
38	53494-63	BAG HOLDER, complete.....
39	53495-63	CORD CLAMP, bag holder.....

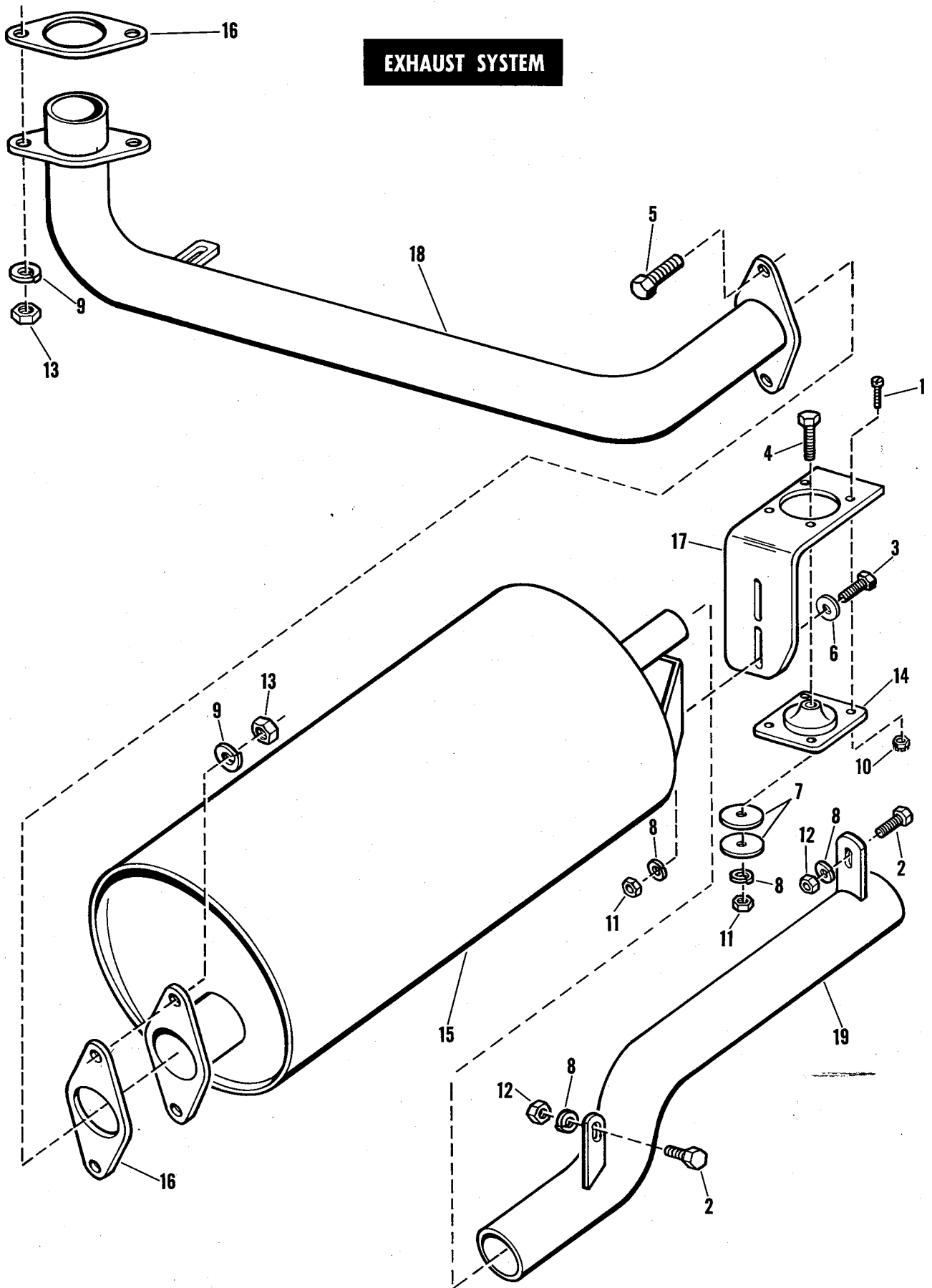


BODY AND SEATS

BODY AND SEATS

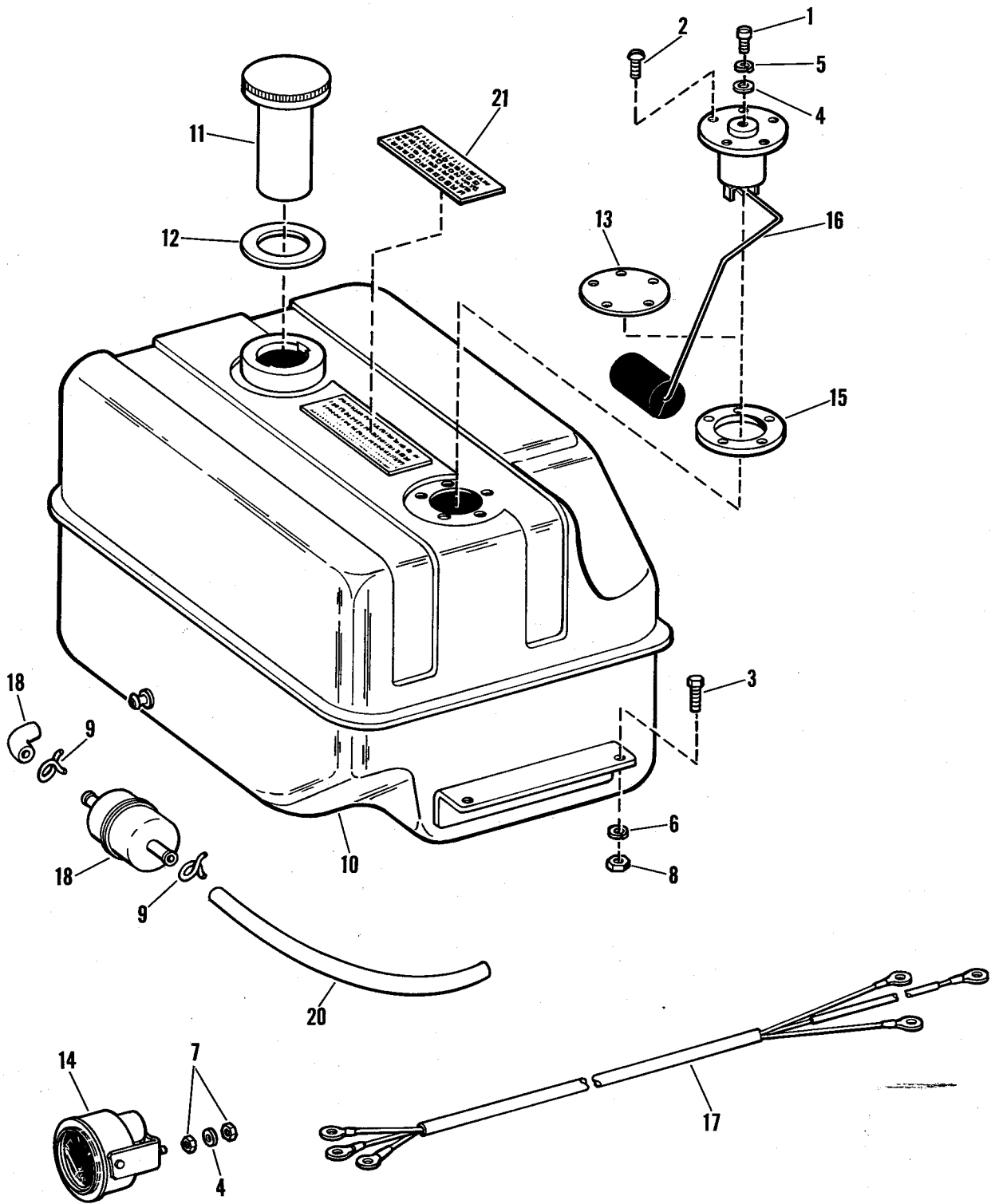
INDEX NO.	PART NO.	NAME
1	1719W	SCREW, No. 8-32 x 5/8 Phil. hd. (2).....
2	2676C	SCREW, No. 10-24 x 5/8 self-tapping Phil. hd. (4).....
3	2757W	SCREW, 1/4-28 x 7/16 rd. hd. (8).....
4	4010	BOLT, 5/16-24 x 1-3/16 hex. hd. (2).....
5	5425W	CARRIAGE BOLT, 5/16-18 x 11/16 (4).....
6	6107B	WASHER, 5/16 x 11/16 x 1/8 (2).....
7	6261	WASHER, 1/4 x 3/4 x 1/8 (rubber) (10).....
8	7040	LOCKWASHER, 5/16 (6).....
9	7613A	SPEED NUT, No. 8 (4).....
10	7638	NUT, 1/4-28 Flexloc (10).....
11	7748	NUT, 5/16-18 x 17/64 x 1/2 hex. (8).....
12	8125	SPEED NUT, No. 8-32 (2).....
13	8126	SPEED NUT, No. 10 (6).....
14	50252-63	BODY TRIM, right.....
15	50254-63	BODY TRIM, left.....
16	50256-63	RETAINER STRIP, insulation pad.....
17	50257-63	INSULATION PAD.....
18	50263-63	TAIL GATE.....
19	50264-63	BODY ASSEMBLY, less tail gate.....
20	50272-63	BODY STRAP (2).....
21	50274-63	BODY STRAP BRKT. (2).....
22	50276-63	REINFORCEMENT, body strap brkt. (2).....
	50280-63	GOLF CAR CANVAS COVER.....
23	52045-63	SEAT FRAME, left.....
24	52046-63	SEAT FRAME, right.....
25	52049-63	SEAT BACK PAD (2).....
26	52051-63	SEAT CUSHION (2).....
27	52106-63	STUD, seat bottom, 1/4-28 x 1-3/4 (8).....
28	52107-63	STUD, seat back, 1/4-28 x 1-1/2 (2).....
29	59598-63	SPLASH GUARD (2).....
30	59794-63A	BRACKET, splash guard (2).....
31	84950-63	FLOOR PAD.....

EXHAUST SYSTEM



EXHAUST SYSTEM

INDEX NO.	PART NO.	NAME
1	1067W	SCREW, No. 8-36 x 5/8 fil. hd. (4)
2	3767B	BOLT, 1/4-20 x 5/8 hex. hd. (2)
3	3791	BOLT, 1/4-28 x 3/4 hex. hd. (2)
4	3841B	BOLT, 1/4-28 x 1-1/2 hex. hd.
5	4000	BOLT, 5/16-24 x 1 hex. hd. (2)
6	6240	WASHER, 1/4 x 9/16 x 1/16 (2).....
7	6678W	WASHER, 11/32 x 1-1/2 x 11/64 (2)
8	7035	LOCKWASHER, 1/4 (5)
9	7040	LOCKWASHER, 5/16 (4)
10	7612W	NUT, No. 8-36 Flexloc (4)
11	7675	NUT, 1/4-28 x 3/16 x 7/16 hex. (3)
12	7685	NUT, 1/4-20 x 9/32 x 7/16 hex. (2)
13	7754	NUT, 5/16-18 x 1/4 x 9/16 hex. (4) (brass)
14	16225-59	RUBBER MOUNT
15	65231-63	MUFFLER
16	65267-63	GASKET, flange (2)
17	65276-63	MOUNTING BRACKET, muffler rear
18	65458-63	EXHAUST PIPE, front.....
19	65459-63	EXHAUST PIPE, rear

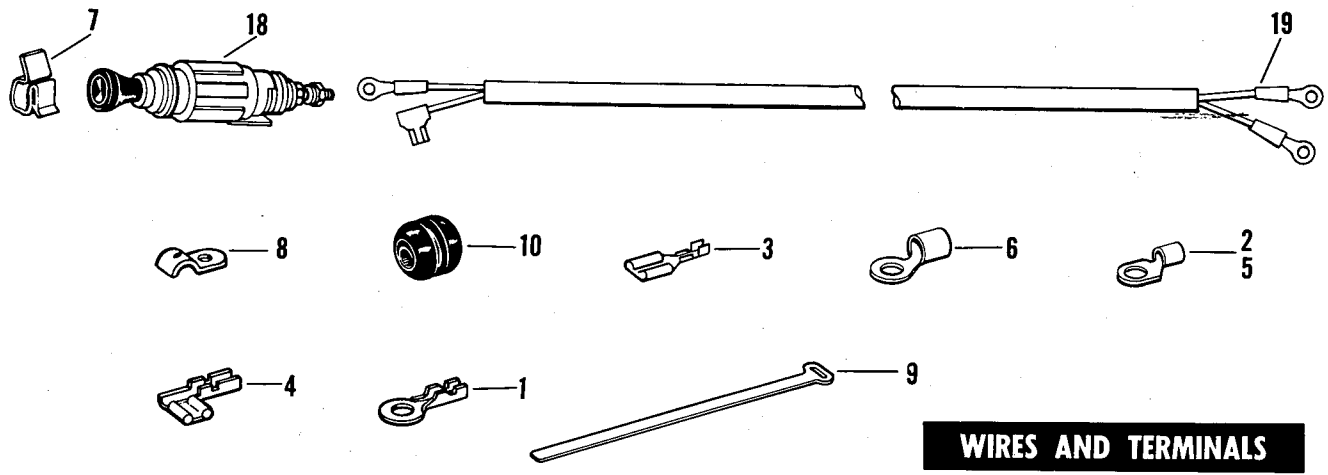
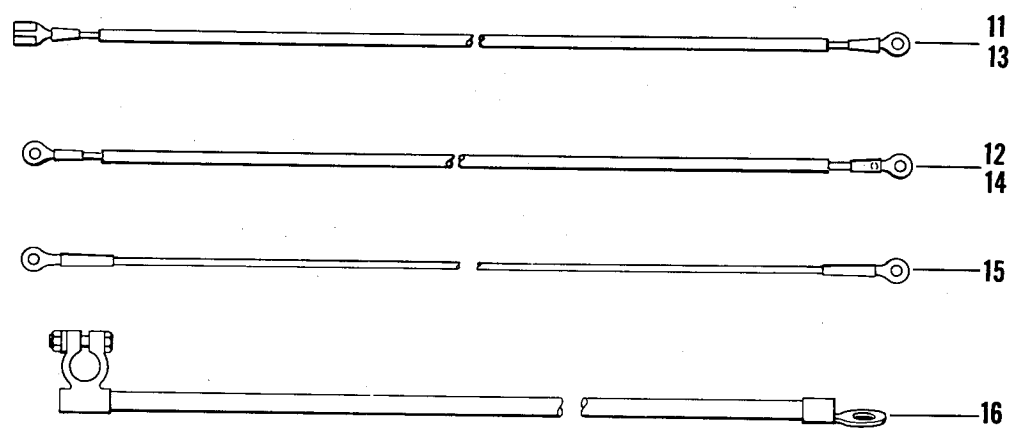
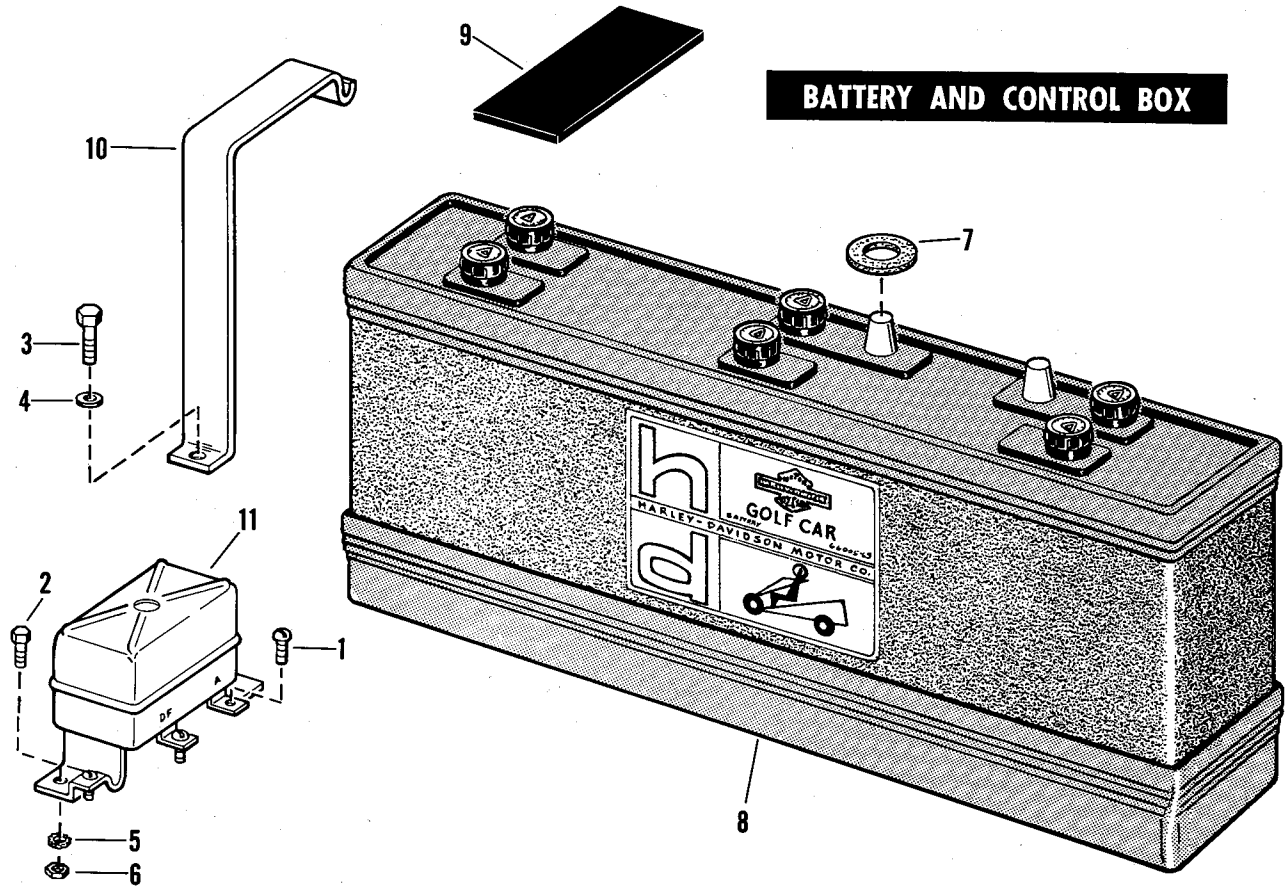


FUEL TANK, GAGE, AND FITTINGS

FUEL TANK, GAGE, AND FITTINGS

INDEX NO.	PART NO.	NAME
1	1183	SCREW, No. 10-32 x 5/16 fil. hd.
2	2661W	SCREW, No. 10-24 x 1/2 self-tapping rd. hd. (5).....
3	3974	BOLT, 5/16-24 x 3/4 hex. hd. (4)
4	6182	WASHER, No. 10 x 7/16 x 1/32 (4).....
5	7021	LOCKWASHER, No. 10
6	7040	LOCKWASHER, 5/16 (4)
7	7630	NUT, No. 10-32 x 3/16 x 3/8 hex. (5)
8	7752	NUT, 5/16-24 x 17/64 x 1/2 hex. (4).....
9	9998	CLAMP, fuel line (4)
10	60996-63	GAS TANK ASSEMBLY (less fuel gage float)
11	61111-63	CAP, fuel tank
12	61114-48	SEAL, fuel tank cap
13	61115-63	COVER, fuel gage hole
	62284-63	FUEL GAGE KIT
14	62285-63	FUEL GAGE
15	62287-63	GASKET, float unit
16	62289-63	FLOAT UNIT, fuel gage
17	62290-63	CABLE, fuel gage
18	62348-63	FUEL HOSE, short.....
19	62350-63	FUEL FILTER
20	62359-63	FUEL HOSE, long
21	91847-63	LUBRICATION INSTRUCTION LABEL

BATTERY AND CONTROL BOX



WIRES AND TERMINALS

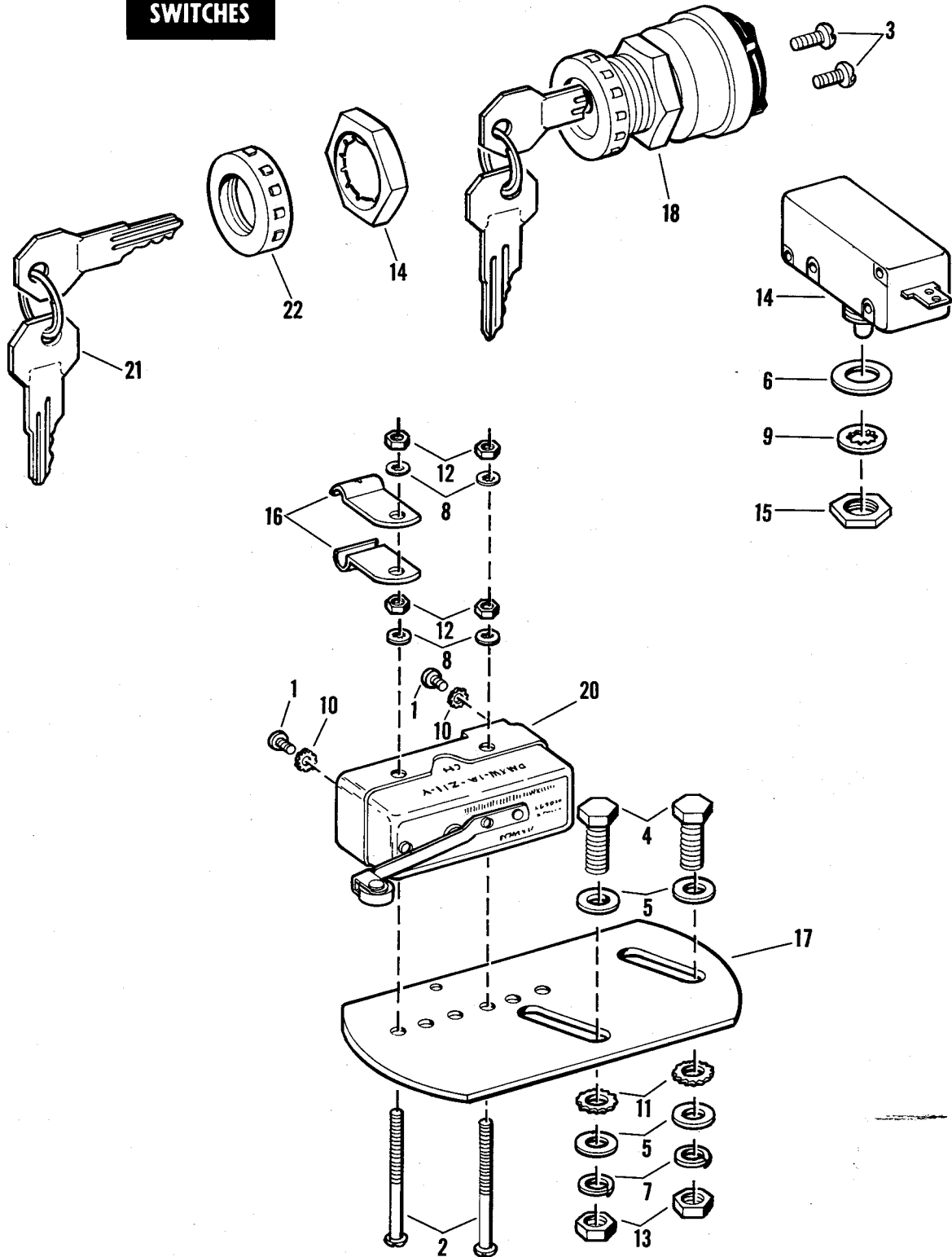
BATTERY, CONTROL BOX

INDEX NO.	PART NO.	NAME
1	1190	SCREW, fil. hd. No. 10-32 x 3/8 (5)
2	3728	BOLT, 1/4-20 x 1/2 hex. hd. (2)
3	3802W	BOLT, 1/4-20 x 7/8 hex. hd.
4	6228W	WASHER, 1/4 x 1/2 x 1/16 (2)
5	7230	LOCKWASHER, 1/4 ext. tooth (2)
6	7685	NUT, 1/4-20 x 9/32 x 7/16 hex. (2)
7	43733-47	FELT WASHER (2)
8	66006-63	BATTERY, dry-charged
9	66459-63	PAD, hold down strap
10	66461-63	STRAP, battery hold-down
11	74508-63	CONTROL BOX

WIRES AND TERMINALS

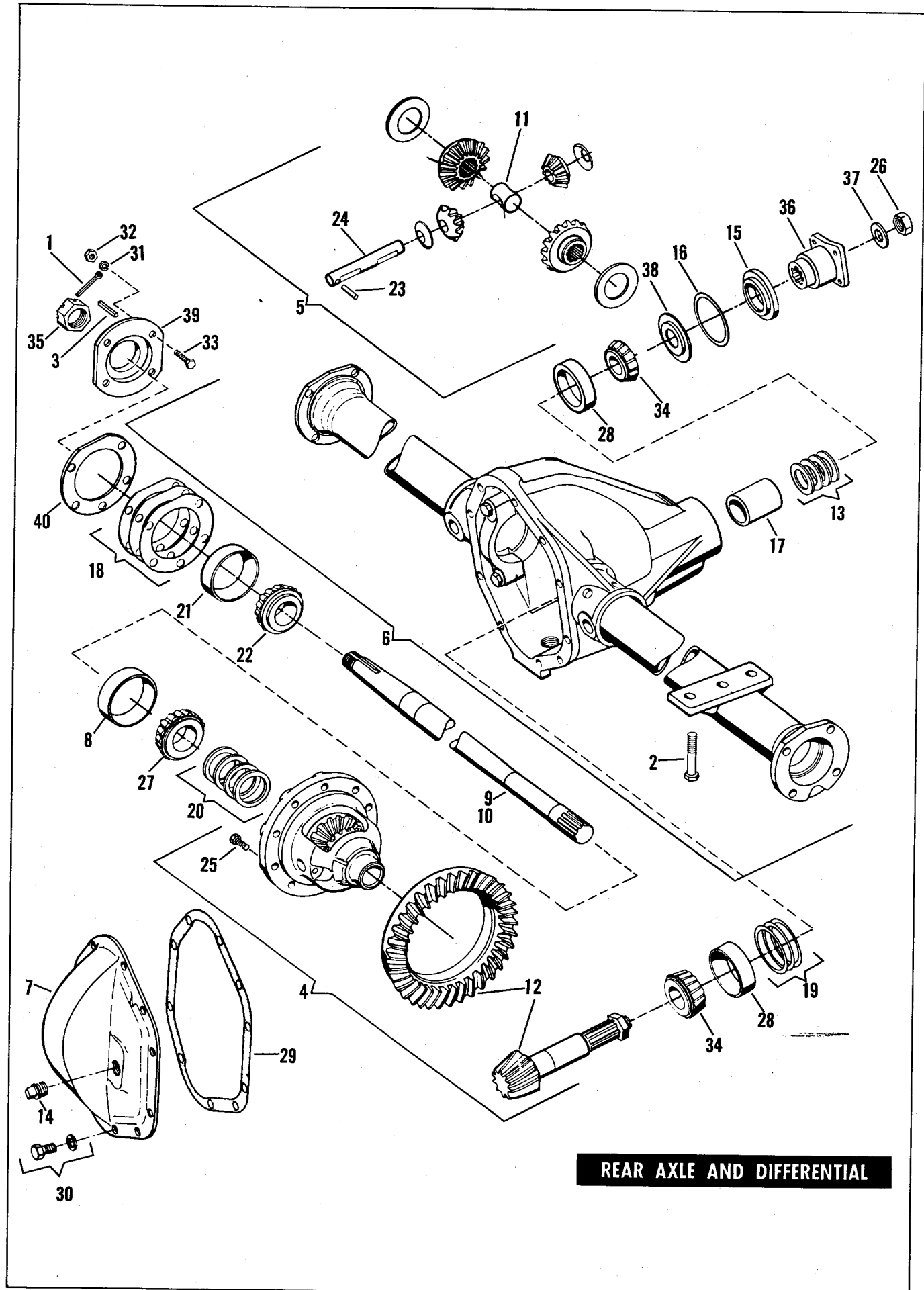
1	9902	TERMINAL, No. 10
	9903	TERMINAL, No. 6
2	9916	TERMINAL, 1/4" brass
3	9920	TAB TERMINAL (straight)
4	9925	TAB TERMINAL (angle)
5	9933	TERMINAL, 1/4" ground strap
6	9936	TERMINAL, 5/16" ground strap
7	9981	CLIP, cable
8	9982	CLIP, accelerator switch cables (2)
9	10016	CABLE STRAP
10	11409	GROMMET, crankcase
	11412	GROMMET, starter-cutout-regulator wires
11	70025-63	WIRE, micro-switch to spark coil (green)
12	70026-63	WIRE, starter cut-out switch to spark coil (green)
13	70027-63	WIRE, micro-switch to key switch (red)
14	70028-63	WIRE, key switch to voltage regulator (red)
	70029-63	WIRE, starter cut-out switch to regulator (black)
15	70041-63	WIRE, spark coil to condenser (black)
16	70192-63	CABLE, battery to regulator
	70193-63	CABLE, battery to ground
17	91810-63	CIGARETTE LIGHTER KIT
18	91811-63	CIGARETTE LIGHTER, only
19	91813-63	CIGARETTE LIGHTER CABLE

SWITCHES



SWITCHES

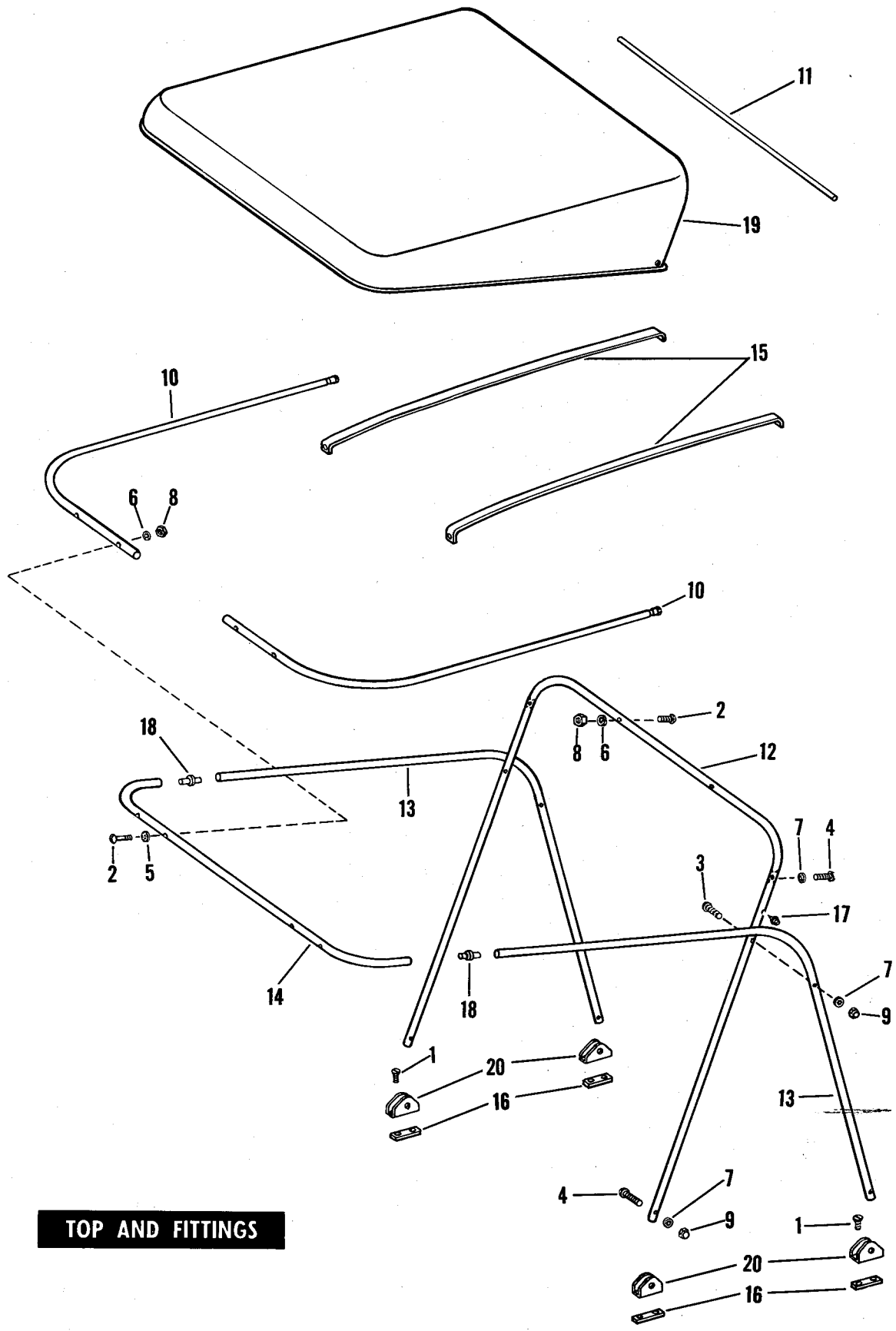
INDEX NO.	PART NO.	NAME
1	901	SCREW, No. 4-40 x 3/16 oval hd. (2).....
2	2570W	SCREW, No. 6-32 x 1-3/8 rd. hd. (2).....
3	2626	SCREW, No. 8-32 x 3/16 rd. hd. (2).....
4	3791	BOLT, 1/4-28 x 3/4 hex. hd. (2).....
5	6242	WASHER, 1/4 x 9/16 x 1/32 (4).....
6	6388	WASHER, 3/8 x 23/32 x 1/16.....
7	7035	LOCKWASHER, 1/4 (2).....
8	7112	LOCKWASHER, No. 6 int. tooth (4).....
9	7130	LOCKWASHER, 25/64 int. tooth.....
10	7206W	LOCKWASHER, No. 4 ext. tooth (2).....
11	7230	LOCKWASHER, 1/4 ext. tooth (2).....
12	7590	NUT, No. 6-32 x 7/64 x 5/16 hex. (4).....
13	7675	NUT, 1/4-28 x 3/16 x 7/16 hex. (2).....
14	7705	LOCK NUT, 3/4-20.....
15	7806	NUT, 3/8-32 x 1/16 x 9/16 hex.
16	9982	CLIP, starter cut-out switch wire (2).....
17	65516-63	PLATE, switch mounting.....
18	71498-63	KEY SWITCH, complete with 2 keys.....
19	71506-63	MICRO-SWITCH, accelerator pedal.....
20	71507-63	SWITCH, starter cut-out.....
21	71627-63	SET OF KEYS, ignition switch.....
22	72311-63	FACE NUT, key switch.....



REAR AXLE AND DIFFERENTIAL

REAR AXLE AND DIFFERENTIAL

INDEX NO.	PART NO.	NAME
1	559	COTTER PIN, 1/8 x 1-1/4 (2)
2	4289	BOLT, 3/8-24 x 3/4 hex. hd. (4)
3	41204-63	KEY, axle shaft
	82805-63	REAR AXLE ASSEMBLY, complete
4	82811-63	DIFFERENTIAL ASSEMBLY, complete
5	82814-63	DIFFERENTIAL SIDE GEAR AND PARTS KIT
6	82819-63	GEAR CARRIER HOUSING AND TUBE ASSEMBLY
7	82821-63	AXLE HOUSING COVER, with plug
8	82844-63	CUP, differential bearing (2)
9	82872-63	AXLE SHAFT, right
10	82874-63	AXLE SHAFT, left
11	82901-63	SPACER, axle shaft
12	82949-63	MATCHED PINION AND GEAR, with nut
13	83032-63	SHIM, pinion bearing adjusting - .003" (2)
	83033-63	SHIM, pinion bearing adjusting - .005" (2)
	83034-63	SHIM, pinion bearing adjusting - .010" (2)
	83035-63	SHIM, pinion bearing adjusting - .030"
14	83040-63	PLUG, differential cover
15	83051-63	OIL SEAL, pinion
16	83052-63	GASKET, pinion oil seal
17	83053-63	SPACER, pinion bearing
18	83062-63	SHIM, wheel bearing adjusting - .005"
	83063-63	SHIM, wheel bearing adjusting - .010"
	83064-63	SHIM, wheel bearing adjusting - .030"
19	83072-63	SHIM, pinion cup adjusting - .003"
	83073-63	SHIM, pinion cup adjusting - .005"
	83074-63	SHIM, pinion cup adjusting - .010"
20	83096-63	SHIM, differential bearing - .003"
	83097-63	SHIM, differential bearing - .005"
	83098-63	SHIM, differential bearing - .010"
	83099-63	SHIM, differential bearing - .030" (2)
21	83100-63	CUP, wheel bearing (2)
22	83102-63	CONE WITH ROLLERS, wheel bearing (2)
23	83103-63	LOCK PIN, pinion mate shaft
24	83104-63	PINION MATE SHAFT
25	83106-63	BOLT, drive gear (10)
26	83108-63	PINION NUT
27	83111-63	CONE WITH ROLLERS, differential bearing (2)
28	83112-63	CUP, pinion bearing (2)
29	83113-63	COVER GASKET
30	83115-63	SCREW WITH LOCKWASHER (9)
31	83117-63	LOCKWASHER, axle tube flange (8)
32	83118-63	NUT, axle tube flange (8)
33	83119-63	BOLT, axle tube flange (8)
34	83120-63	CONE WITH ROLLERS, pinion bearing (2)
35	83131-63	NUT, axle shaft (2)
36	83132-63	DRIVE PINION YOKE
37	83133-63	WASHER, pinion nut
38	83134-63	OIL SLINGER, pinion
39	83162-63	OIL SEAL, axle tube (2)
40	83165-63	RETAINER, wheel bearing

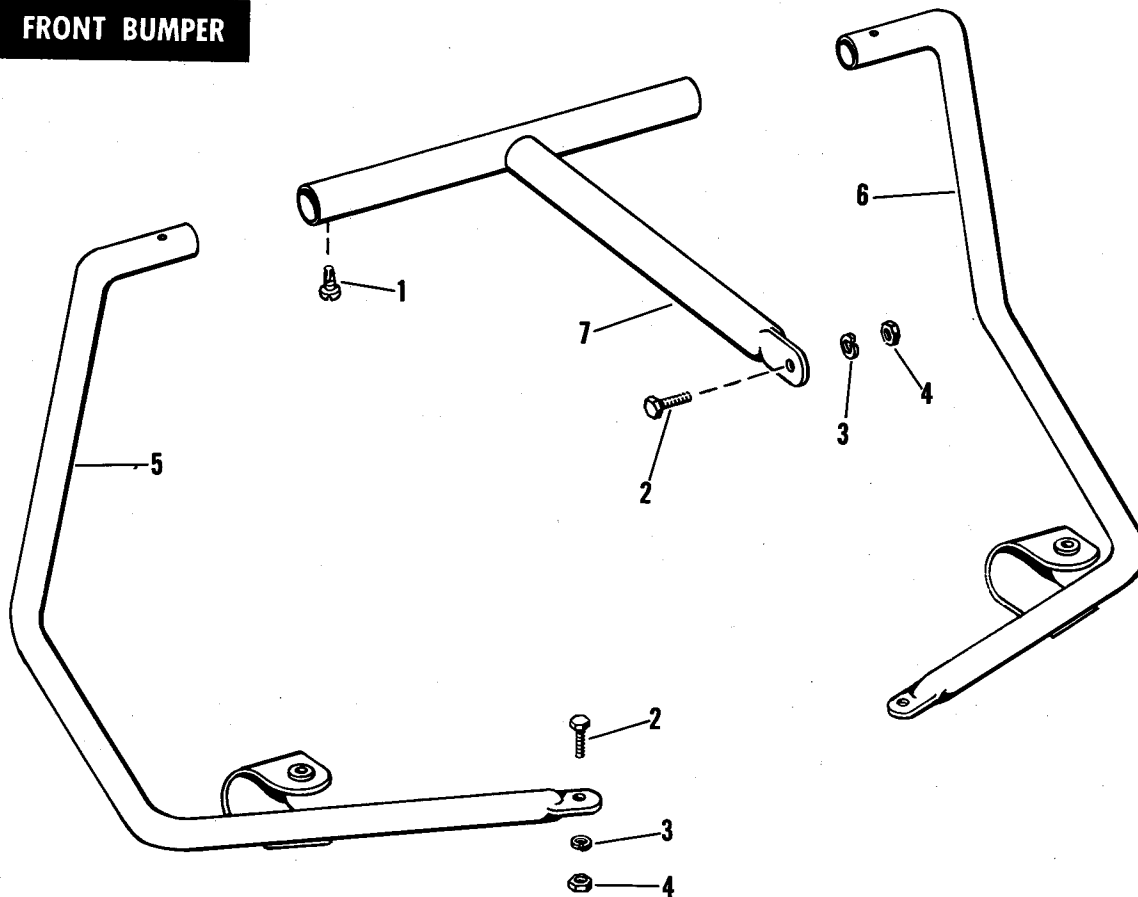


TOP AND FITTINGS

TOP AND FITTINGS

INDEX NO.	PART NO.	NAME
1	1872W	SCREW, 1/4-20 x 5/8 ctsk. hd. (8).....
2	2744W	SCREW, No. 12-24 x 2 rd. hd. (6).....
3	2799W	SCREW, 1/4-28 x 1-3/4 rd. hd. (2).....
4	2812W	SCREW, 1/4-28 x 1-1/4 rd. hd. (6).....
5	6218W	WASHER, 1/4 x 7/16 x 1/32 (4).....
6	7121	LOCKWASHER, No. 12 int. tooth (6).....
7	7124	LOCKWASHER, 1/4 int. tooth (8).....
8	7654W	NUT, No. 12-24 x 5/32 x 7/16 hex. (6).....
9	7679	ACORN NUT, 1/4-28 (6).....
	89400-63	TOP, complete with fittings.....
10	89407-63	UPPER REINFORCEMENT TUBE (2).....
11	89408-63	STIFFENER DOWEL.....
12	89410-63	REAR SUPPORT TUBE.....
13	89412-63	SIDE SUPPORT TUBE (2).....
14	89416-63	FRONT TUBE.....
15	89418-63	TOP STRAP (2).....
16	89420-63	REINFORCEMENT PLATE (4).....
17	89424-63	SNAP STUD (2).....
18	89426-63	CONNECTING PLUG (2).....
19	89428-63	TOP COVERING.....
20	89432-63	MOUNTING BRACKET (4).....

FRONT BUMPER

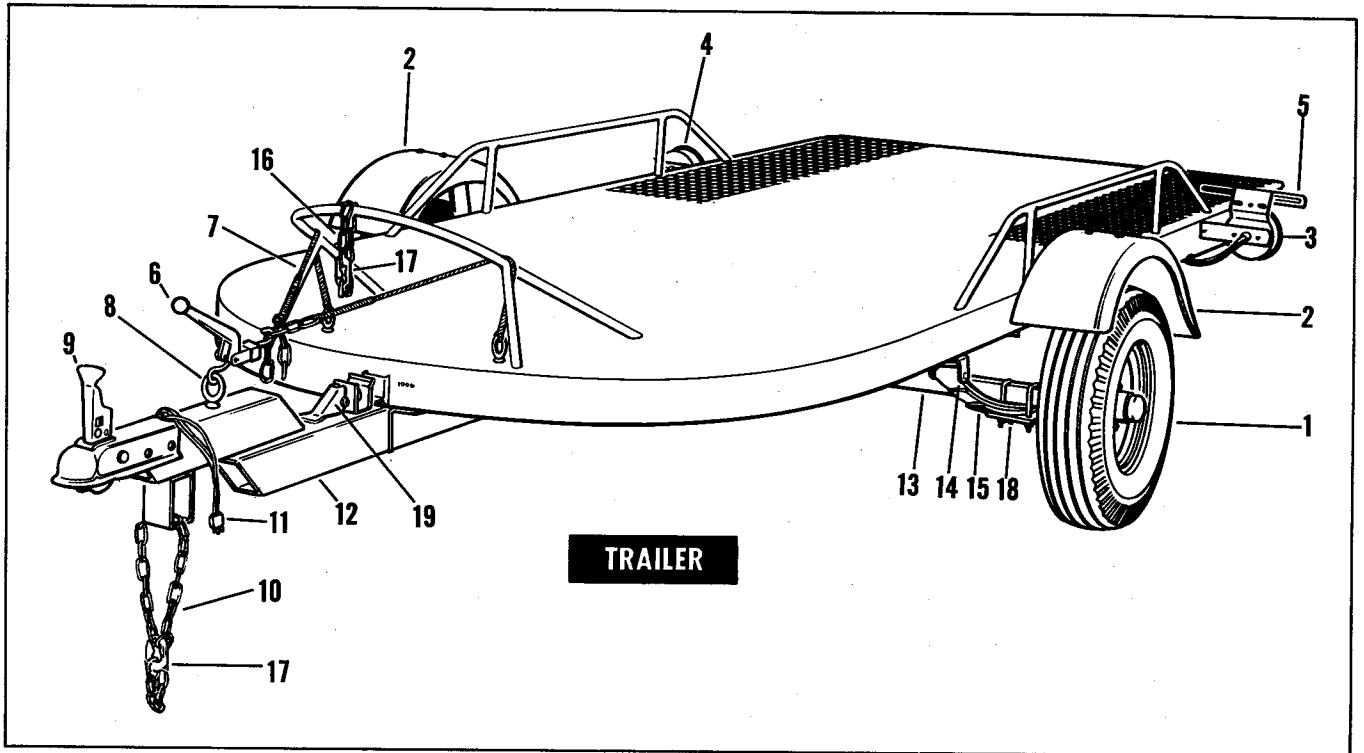


FRONT BUMPER

INDEX NO.	PART NO.	NAME
1	2764W	SCREW, 1/4-20 x 5/8 self-tapping rd. hd. (2).....
2	4320B	BOLT, 3/8-24 x 1 hex. hd. (3)
3	7045	LOCKWASHER, 3/8 (3)
4	7793	NUT, 3/8-24 x 21/64 x 9/16 hex. (3)
	91070-63	FRONT BUMPER ASSEMBLY, complete
5	91075-63	BUMPER, left
6	91076-63	BUMPER, right
7	91082-63	SUPPORT

TRAILER

	15980-63	GOLF CAR TRAILER, complete
1	89010-63	WHEEL RIM (2)
	89012-63	TIRE (2)
	89014-63	INNER TUBE, tire (2)
	89016-63	WHEEL BEARING ASSEMBLY (4)
	89018-63	LUG BOLT (8)
	89020-63	DUST CAP, wheel hub (2)
	89021-63	AXLE NUT (2)
	89022-63	WHEEL HUB (2)
	89023-63	COTTER PIN, axle nut (2)
	89024-63	SEAL, wheel hub (2)



TRAILER, CONT'D.

INDEX NO.	PART NO.	NAME
2	89030-63	FENDER (2).....
	89032-63	FENDER MOUNTING BOLT (4)
	89034-63	NUT, fender bolt (4).....
	89036-63	WASHER, fender bolt (4).....
3	89040-63	TAIL LAMP ASSEMBLY, left.....
4	89041-63	TAIL LAMP ASSEMBLY, right.....
	89042-63	BULB, tail lamp (2)
5	89043-63	LENS, tail lamp (2)
	89045-63	LICENSE PLATE BRACKET
	89047-63	OUTLOOK LENS, left tail lamp.....
	89049-63	SPRING CLIP, tail lamp (2)
6	89050-63	TIE-DOWN TENSIONER.....
7	89052-63	TIE-DOWN ROPE (2)
8	89054-63	EYE BOLT, tie-down.....
9	89058-63	BALL HITCH REPAIR KIT.....
	89060-63	BALL HITCH SAFETY CATCH LEVER.....
	89062-63	SAFETY CHAIN, trailer (long).....
11	89066-63	TRAILER WIRING HARNESS
	89067-63	TRUNK WIRING HARNESS
12	89070-63	TRAILER TONGUE ASSEMBLY.....
13	89074-63	AXLE
14	89076-63	FRONT SPRING MOUNTING BOLT (2).....
	89080-63	NUT, spring front bolt (2)
	89082-63	SPRING SHACKLE (2)
15	89085-63	SPRING, complete (2)
16	89087-63	SAFETY CHAIN, golf car (short).....
17	89088-63	HOOK, chain connecting (2)
18	89090-63	U-BOLT, spring mounting (4)
	89092-63	NUT, spring U-bolt (8).....
	89094-63	PLATE, spring U-bolt (2).....
19	89098-63	TILT LATCH ASSEMBLY

NUMERICAL INDEX

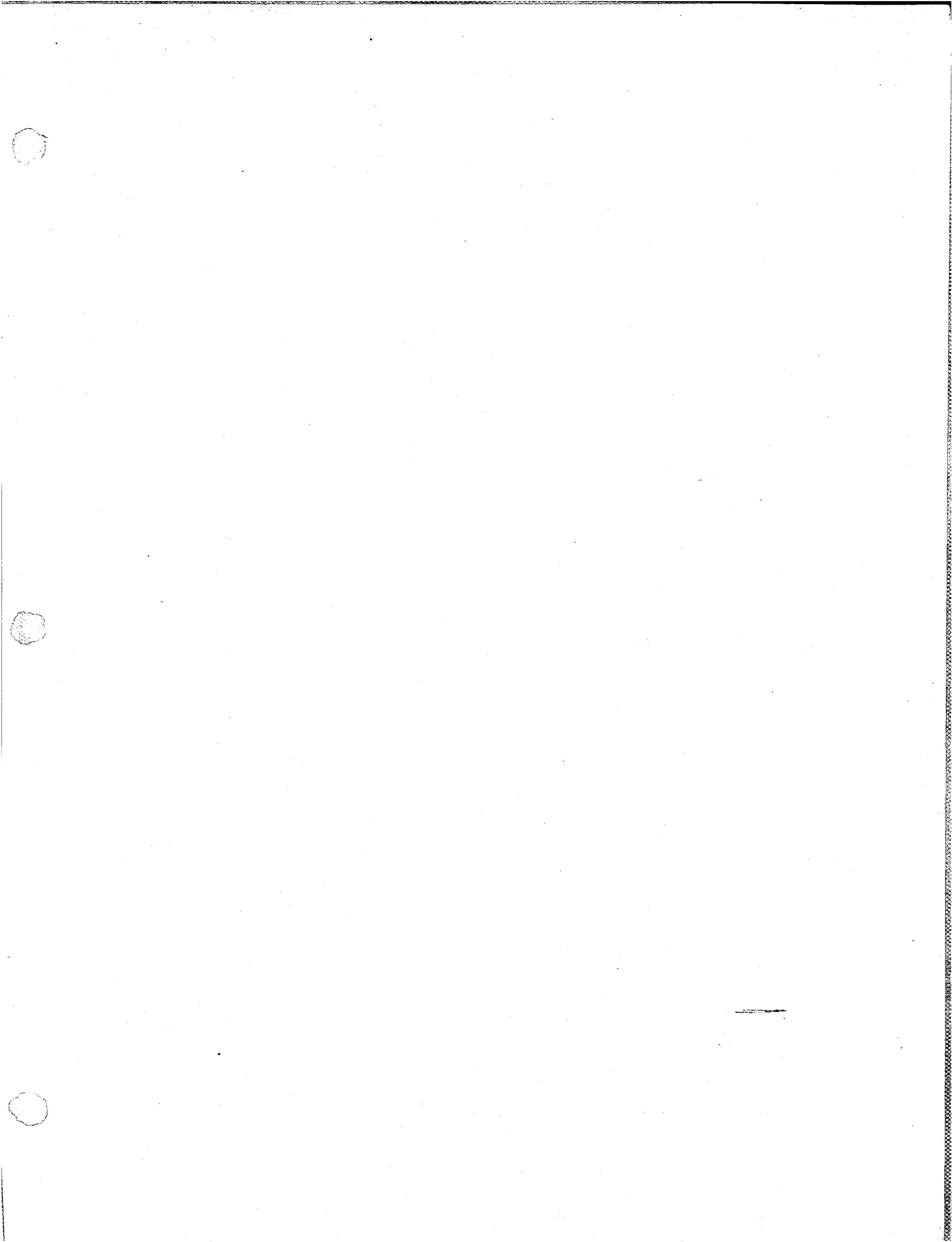
Part No.	Page	Part No.	Page	Part No.	Page	Part No.	Page	Part No.	Page
358	4	3728	37	6242	7	7045	23	7757W	29
	10	3767B	17		16		24	7775	10
510	16		19		17		44	7793	8
	18		33		19	7060	12		10
	19	3787	2		39	7070B	24		19
515	19	3791	33	6245	2	7112	14		24
	23		39	6257B	2		39		44
	29	3802W	37		4	7115	12	7805	24
534	21	3831	12	6261	31		29	7806	39
559	24	3840	4	6310	19	7118	19	7905	12
	41	3841B	33	6316	23	7121	43	7947	24
600	4	3875	2	6320	19	7124	43	7947W	21
612	8	3940	24	6332	29	7130	39	7988	7
652	16	3956	14	6341	19	7206W	39		24
662	10	3959	29		29	7230	37	7993	8
901	39	3974	18	6375	19		39	8090	10
997	14		35	6388	2	7560	27	8115B	27
1058W	18	3984	4		39	7590	14	8121	27
	19	3991	19	6408	10		39	8125	31
1064W	2	4000	29	6678W	29	7612W	2	8126	31
	4		33		33		4	8129B	27
1067W	33	4010	31	6714	24		33	8854	8
1183	17	4014W	29	6722	8	7613A	27		24
	35	4017	4		21		31	8856	7
1190	37	4035B	23	6750	7	7620	19	8874	7
1214	17	4041W	24	6751	7	7625	27	9012	7
1240	14	4042HW	23	6762	19	7630	35	9024	10
1367	12	4055B	23	6801B	24	7634	14	9034	4
1375	2	4060	23	6860	8		17	9045	8
	4	4065	23	6877	10	7638	27	9068	3
1655	4	4289	41	6878	10		31	9070	3
1663W	7	4293	23	6879	10	7654W	43	9071	4
1719W	31	4320B	24	6882	10	7675	2	9072	10
1768W	19		44	6922	10		14	9902	37
1859	12	4336	10	6923	10		33	9903	37
1872W	43	4370	19	6924	10		39	9916	37
2072W	7	4406B	10	6925	10	7676	17	9920	37
2336	27	4451W	2	7015	12	7679	43	9925	37
2546W	16	5403B	29	7021	17	7682	16	9933	37
2547W	27	5406B	29		27		19	9936	37
2570W	39	5425W	31		35	7683	2	9953	2
2626	12	5927	24	7035	2		4	9957	12
	39		29		12		24		17
2630W	29	5929	27		14	7685	19		19
2633	24	5934	10		17		23	9981	37
2635	12	5935	10		19		29	9982	14
2643	27	5937	8		29		33		37
2661W	35	6075	16		33		37		39
2673	17	6102	24		39	7688	17	9991A	17
2676C	27		27	7036	10	7704	7	9998	35
	31	6107B	31	7040	4	7705	39	10010	27
2679W	27	6150	19		14	7727	23		29
2682	27	6165	12		19	7728	23	10016	37
2684W	27	6170	27		23	7729	23	11000	19
2731W	27	6182	18		29	7736	29	11010	8
2744W	43		19		31	7744	19	11025	4
2757W	31		35		33	7748	19	11026	2
2764W	44	6218W	10		35		31	11029	19
2776W	8		24	7041	24	7748W	29	11030	19
2791W	10		43		29	7752	14	11032	24
2793B	23	6220	2	7045	2		19	11033	10
2799W	43		16		8		23	11104	7
2812W	43	6228W	37		10		35	11108	7
3669W	19	6236	19		19	7753	24	11109	7
3728	10	6240	33			7754	33	11111	10

NUMERICAL INDEX

Part No.	Page	Part No.	Page	Part No.	Page	Part No.	Page	Part No.	Page
11112	10	26901 - 63	17	30381 - 63	12	35386 - 63	10	41812 - 63	24
11206	7	26903 - 63	17	30464 - 63	12	35387 - 63	10	41834 - 59	19
11208	12	26905 - 59	17	30465 - 63	12	35388 - 63	10	41841 - 63	24
11209	10	26906 - 59	17	30466 - 63	12	35389 - 63	10	42405 - 63	19
11401	14	26908 - 63	17	30467 - 63	12	35663 - 63	10	42479 - 63	19
11409	37	27020 - 63	17	30468 - 63	12	36394 - 61	7	42482 - 63	19
11412	37	27053 - 63	16	30480 - 63	12	36396 - 63	10	42483 - 63	19
12007	12	27065 - 57	17	30481 - 63	12	36398 - 63	8	42488 - 63	19
12008	4	27069 - 63	17	30482 - 63	12	36401 - 63	8	42494 - 63	19
12009	24	27071 - 63	16	30483 - 63	12	36403 - 59A	8	42502 - 63	19
12010	10	27135 - 63	16	30490 - 63	12	36407 - 59	8	42904 - 62	20
12011	12	27138 - 63	16	30504 - 63	12	36408 - 59	8	42908 - 62	20
15980 - 63	44	27158 - 63	16	30505 - 63	12	36410 - 59	8	43017 - 63	21
16090 - 63	2	27227 - 63	16	30525 - 63	12	36413 - 63	8	43152 - 63	21
16214 - 59	2	27237 - 63	17	30580 - 63	12	36416 - 63	10	43156 - 63	21
16225 - 59	33	27245 - 63	16	30581 - 63	12	36423 - 59	8	43490 - 63	21
16226 - 63	2	27276 - 63	16	30582 - 63	12	36424 - 59A	8	43555 - 63	21
	4	27346 - 63	16	30590 - 63	12	36429 - 59	8	43560 - 35	4
16227 - 63	4	27413 - 63	16	30607 - 63	12	36430 - 62	8	43600 - 63	21
16249 - 63	4	27601 - 63	16	30751 - 63	12	36431 - 61	8	43614 - 63	21
16534 - 63	2	27674 - 63	16	30858 - 63	12	36449 - 61	7	43732 - 63	21
16652 - 63	2	27688 - 63	16	31067 - 63	29	36453 - 61	7	43733 - 47	37
16780 - 63	2	27689 - 55	16	31402 - 63	27	36457 - 61	7	43738 - 63	21
20000 - 63	12	27691 - 59	16	31404 - 63	27	36460 - 61	7	43874 - 63	21
20005 - 63	4	27693 - 63	16	31408 - 63	27	36466 - 61	7	44909 - 63	29
20006 - 63	12	27696 - 63	16	31410 - 63	27	36467 - 61	7	44911 - 63	29
20009 - 63	2	27703 - 55	16	31414 - 63	27	36470 - 63	10	44912 - 63	29
22001 - 63	2	27704 - 61	16	31416 - 63	27	36474 - 63	10	44913 - 63A	29
22002 - 63	2	27706 - 63	16	31601 - 63	14	36476 - 63	10	44914 - 63	29
22003 - 63	2	27714 - 63	16	31612 - 47	14	36478 - 63	10	44915 - 63A	29
22004 - 63	2	27720 - 61	16	31618 - 59	14	36482 - 63	10	44916 - 63	29
22005 - 63	3	27726 - 61	16	31620 - 47	14	36484 - 63	10	44917 - 63	29
22006 - 63	3	27730 - 63	16	31731 - 63	14	36486 - 63	10	44918 - 63	27
22325 - 63	3	27732 - 61	16	32303 - 47A	14	36516 - 61A	7	45111 - 51	21
22326 - 63	3	27732 - 63	16	32541 - 63	12	36534 - 63	7	45137 - 51	21
22327 - 63	3	27733 - 61	16	32544 - 63	12	36535 - 59	7	45161 - 51A	21
22328 - 63	3	27740 - 63	16	32557 - 63	12	36540 - 61	7	45525 - 63	24
22329 - 63	3	27760 - 63	16	32558 - 63	12	36549 - 59	7	45527 - 63	24
22330 - 63	3	27761 - 63	16	32559 - 63	12	36553 - 61	7	45584 - 63	24
22587 - 63	3	27804 - 63	16	32724 - 63	14	36554 - 61	7	45587 - 63	24
23703 - 63	3	27805 - 63	16	33013 - 63	10	36555 - 61	7	45593 - 63	24
23708 - 63	4	27806 - 63	16	33214 - 63	27	36712 - 42	19	45594 - 63	24
23709 - 63	4	27807 - 63	16	33298 - 36	3	37222 - 52	23	45595 - 63	24
23727 - 61	7	27808 - 63	16	33745 - 31	10	38613 - 62	19	45599 - 63	24
23732 - 61	7	27809 - 63	16	33797 - 63	27	39600 - 63	23	45630 - 63	24
23742 - 61	7	27810 - 63	16	33874 - 41	19	39601 - 63	23	45736 - 47	24
23962 - 63	4	27811 - 63	16	33933 - 63	10	39604 - 63	10	46049 - 63	24
24200 - 63	4	27812 - 63	16	33975 - 63	12	39605 - 63	10	46201 - 52	24
24202 - 63	4	27813 - 63	16	34294 - 63	10	40503 - 63	19	47017 - 63	29
24496 - 63	4	27815 - 63	16	34526 - 63	10	40504 - 63	19	47738 - 63	21
24621 - 63	4	27816 - 63	16	34528 - 63	10	40512 - 63	19	47740 - 63	21
24694 - 63	4	27819 - 63	16	34721 - 63	12	40514 - 63	19	47743 - 63	21
24811 - 59A	4	27820 - 63	16	34732 - 63	12	40516 - 63	19	47744 - 63	24
24811 - 63	17	27821 - 63	16	34854 - 63	12	40518 - 63	19	47745 - 63	24
24945 - 60	12	27822 - 63	16	34862 - 61A	7	40522 - 63	19	47751 - 63	21
24995 - 63	4	29004 - 63	17	34865 - 63	7	40526 - 63	19	48300 - 60	12
25390 - 63	12	29104 - 63	17	34907 - 63	10	40528 - 63	19	48360 - 47	24
25391 - 63	12	29130 - 61	17	35057 - 63	10	41024 - 63	21	50201 - 63	27
25453 - 47	4	29134 - 61	17	35060 - 63	10	41204 - 63	21	50218 - 63	27
26801 - 63	19	29185 - 63	17	35062 - 63	10		41	50252 - 63	31
26802 - 63	19	29188 - 63	17	35108 - 63	10	41421 - 63	23	50253 - 63	27
26808 - 63	19	29198 - 63	17	35116 - 63	10	41424 - 63	23	50254 - 63	31
26816 - 63	19	30080 - 63	12	35118 - 63	10	41728 - 63	23	50255 - 63	27
26817 - 63	19	30143 - 63	12	35342 - 63	12	41810 - 63	23	50256 - 63	31
26820 - 63	19	30357 - 63	12	35385 - 63	10	41811 - 63	24	50257 - 63	31

NUMERICAL INDEX

Part No.	Page	Part No.	Page	Part No.	Page	Part No.	Page	Part No.	Page
50259 - 63	27	60996 - 63	35	73061 - 63	19	83111 - 63	41	89054 - 63	45
50260 - 63	27	61111 - 63	35	73063 - 61	21	83112 - 63	41	89058 - 63	45
50262 - 63	27	61114 - 48	35	73092 - 59	19	83113 - 63	41	89060 - 63	45
50263 - 63	31	61115 - 63	35		21	83115 - 63	41	89062 - 63	45
50264 - 63	31	61779 - 63	27	73092 - 61	21	83117 - 63	41	89066 - 63	45
50270 - 63	29	62284 - 63	35	74508 - 63	37	83118 - 63	41	89067 - 63	45
50272 - 63	31	62285 - 63	35	82805 - 63	41	83119 - 63	41	89070 - 63	45
50273 - 63	29	62287 - 63	35	82811 - 63	41	83120 - 63	41	89074 - 63	45
50274 - 63	31	62289 - 63	35	82814 - 63	41	83131 - 63	41	89076 - 63	45
50275 - 63	29	62290 - 63	35	82819 - 63	41	83132 - 63	41	89080 - 63	45
50276 - 63	31	62348 - 63	35	82821 - 63	41	83133 - 63	41	89082 - 63	45
50280 - 63	31	62350 - 63	35	82844 - 63	41	83134 - 63	41	89085 - 63	45
50514 - 63	29	62359 - 63	35	82872 - 63	41	83162 - 63	41	89087 - 63	45
50519 - 63	29	64000 - 63	27	82874 - 63	41	83165 - 63	41	89088 - 63	45
50530 - 63	27	64009 - 63	27	82901 - 63	41	83961 - 63	21	89090 - 63	45
50531 - 63	27	64511 - 63	27	82949 - 63	41	83975 - 37	24	89092 - 63	45
50532 - 63	27	65231 - 63	33	83032 - 63	41	84950 - 63	31	89094 - 63	45
50533 - 63	27	65267 - 63	33	83033 - 63	41	89010 - 63	44	89098 - 63	45
50534 - 63	27	65276 - 63	33	83034 - 63	41	89012 - 63	44	89400 - 63	43
50536 - 63	27	65458 - 63	33	83035 - 63	41	89014 - 63	44	89407 - 63	43
52045 - 63	31	65459 - 63	33	83040 - 63	41	89016 - 63	44	89408 - 63	43
52046 - 63	31	65516 - 63	39	83051 - 63	41	89018 - 63	44	89410 - 63	43
52049 - 63	31	66006 - 63	37	83052 - 63	41	89020 - 63	44	89412 - 63	43
52051 - 63	31	66459 - 63	37	83053 - 63	41	89021 - 63	44	89416 - 63	43
52106 - 63	31	66461 - 63	37	83062 - 63	41	89022 - 63	44	89418 - 63	43
52107 - 63	31	70025 - 63	37	83063 - 63	41	89023 - 63	44	89420 - 63	43
53482 - 63	29	70026 - 63	37	83064 - 63	41	89024 - 63	44	89424 - 63	43
53486 - 63	29	70027 - 63	37	83072 - 63	41	89030 - 63	45	89426 - 63	43
53494 - 63	29	70028 - 63	37	83073 - 63	41	89032 - 63	45	89428 - 63	43
53495 - 63	29	70029 - 63	37	83074 - 63	41	89034 - 63	45	89432 - 63	43
57006 - 63	24	70041 - 63	37	83096 - 63	41	89036 - 63	45	91070 - 63	44
57008 - 63	24	70166 - 63	4	83097 - 63	41	89040 - 63	45	91075 - 63	44
57011 - 63	24	70192 - 63	37	83098 - 63	41	89041 - 63	45	91076 - 63	44
57017 - 63	24	70193 - 63	37	83099 - 63	41	89042 - 63	45	91082 - 63	44
57021 - 63	24	71498 - 63	39	83100 - 63	41	89043 - 63	45	91265 - 58	12
57025 - 63	24	71506 - 63	39	83102 - 63	41	89045 - 63	45	91810 - 63	37
57029 - 63	27	71507 - 63	39	83103 - 63	41	89047 - 63	45	91811 - 63	37
57031 - 63	24	71627 - 63	39	83104 - 63	41	89049 - 63	45	91813 - 63	37
59598 - 63	31	71795 - 63	12	83106 - 63	41	89050 - 63	45	91847 - 63	35
59794 - 63A	31	72311 - 63	39	83108 - 63	41	89052 - 63	45		



FOR "PAR BUSTING" PERFORMANCE

DO NOT REMOVE FROM

TECHNICAL COMMUNICATIONS
HARLEY-DAVIDSON

GOLF CAR MOTOR OIL



Harley-Davidson Gasoline Golf Cars perform at their best when lubricated with Harley-Davidson Golf Car Motor Oil.

This oil is compounded specifically for use in the Harley-Davidson two-cycle golf car engine. It lubricates thoroughly and efficiently, leaves no annoying smoke, and guarantees the smooth, quiet engine performance necessary on a golf course. A little goes a long, long way, too. It is

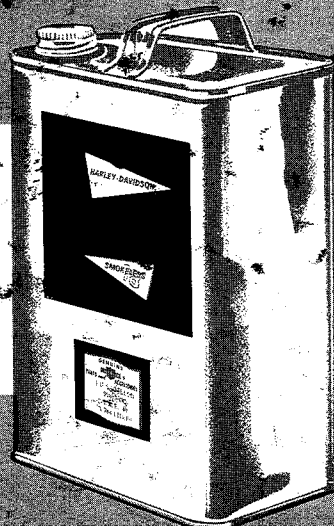
mixed with the gasoline in the ratio of one ounce of oil to one gallon of gas — and a gallon of gas is more than enough for *two* 18-hole rounds. Harley-Davidson Golf Car

Motor Oil comes in cases of six 12-ounce cans (Part No. 99800-GC) also available in gallons for Pre-Mixing Storage Tank Quantities (90800-GC).

* SPECIFICALLY
COMPOUNDED FOR
HARLEY-DAVIDSON
GASOLINE GOLF CARS

* SMOKELESS

* ECONOMICAL



Also available in One-Gallon cans for pre-mixing storage tank quantities.