

RECORD COPY
DO NOT REMOVE FROM
TECHNICAL COMMUNICATIONS

AMF

Harley-Davidson

PARTS CATALOG
SUPPLEMENT

DE-40 Electric Golf Car

1977
1976 &

USE THIS SUPPLEMENT WITH CATALOG NO. 99436-76A

ISSUED: OCTOBER 1976

No. 99436-77

ACCELERATOR PEDAL – PAGE 3

3650	BOLT, accelerator pedal, 1/4-20 x 3 hex. hd.	77 to * – DE40
6703	WASHER, accelerator pedal, 1/4 x 5/8 x 1/16.	77 to * – DE40
7742	LOCKNUT, accelerator pedal, 1/4-20 x 7/32 x 7/16 hex.	77 to * – DE40
71770-77	SPRING, accelerator rod.	77 to * – DE40

BRAKE PEDAL – PAGE 5

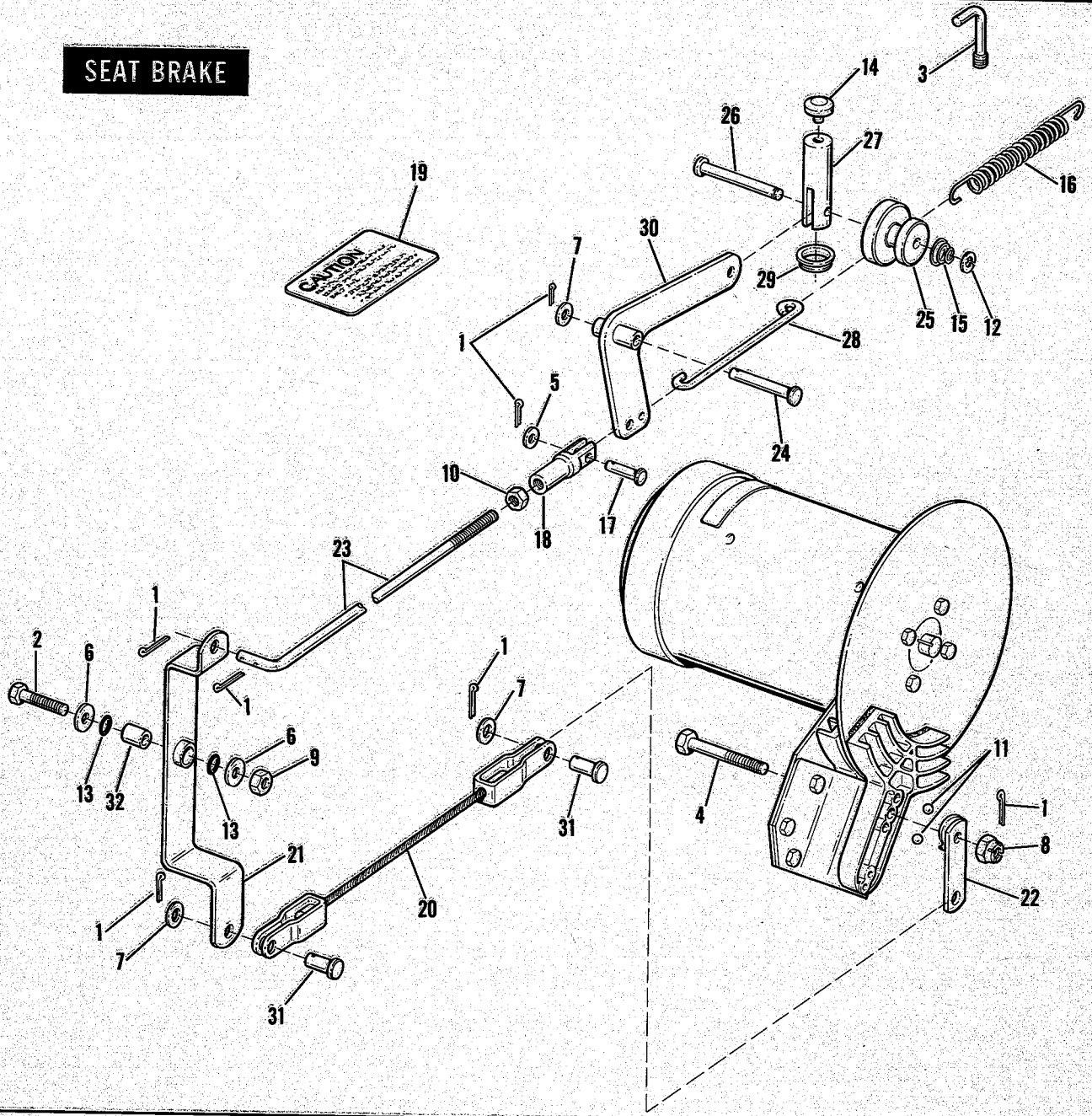
384	ROLL PIN, brake pedal.	77 to * – DE40
515	COTTER PIN, brake rod, 1/16 dia. x 1/2 (2).	77 to * – DE40
	brake control cable, 1/16 dia. x 1/2.	76 to * – DE40
534	COTTER PIN, brake pedal, 3/32 dia. x 1.	77 to * – DE40
2685W	SCREW, No. 10-24 x 5/8 self tapping hex. hd., ratchet (1); brake cable (2).	76 to * – DE40
3245	SET SCREW, brake lever, 1/4-20 x 1-1/4 slot end.	77 to * – DE40
4730	BOLT, brake pivot bracket, 5/16-24 x 1-3/4 hex. hd.	77 to * – DE40
5982W	SPACER, brake pivot lever.	77 to * – DE40
6310B	WASHER, brake rod, 5/16 x 9/16 x 1/32 (2).	77 to * – DE40
6336B	WASHER, brake pivot bracket bolt, 5/16 x 15/16 x 5/32.	77 to * – DE40
6701	WASHER, brake pedal, 3/8 x 13/16 x 1/16.	77 to * – DE40
7688	NUT, brake lever set screw, 1/4-20 x 7/32 x 7/16 hex.	77 to * – DE40
7729	LOCKNUT, brake pivot bracket bolt and brake rod end, 5/16-24 x 1/4 x 1/2 hex. (2).	77 to * – DE40
7753	NUT, brake rod, 5/16-24 x 1/4 x 1/2 hex.	77 to * – DE40
11115	O-RING, brake pivot lever.	77 to * – DE40
25594-75	BUSHING, brake pivot lever.	77 to * – DE40
40940-77	BRAKE CONTROL CABLE ASSEMBLY.	77 to * – DE40
41510-77	LEVER, brake pivot.	77 to * – DE40
41513-77	BRACKET, brake pivot lever.	77 to * – DE40
41516-77	BRAKE ROD.	77 to * – DE40
41711-77	SPACER, brake cable (service repair).	76 to Early 77 – DE40
42462-75A	BRAKE LEVER.	76 to * – DE40
42464-75A	BRAKE PEDAL.	76 to * – DE40
42466-75B	RATCHET, brake lever.	76 to * – DE40
42468-75	END, brake rod.	77 to * – DE40

SEAT BRAKE

1	515	COTTER PIN, 1/16 dia. x 1/2 (7).	Late 76 to * – DE40
2	2818	BOLT, rod lever, 5/16-18 x 1-1/2 hex. hd.	Late 76 to * – DE40
3	4255	SCREW, "L" shape – seat.	Late 76 to * – DE40
4	4270	BOLT, brake cam, 5/16-24 x 4-1/2 hex. hd. (drilled thread end).	Late 76 to * – DE40
5	6220W	WASHER, plunger arm clevis pin, 1/4 x 7/16 x 1/32.	Late 76 to * – DE40
6	6333	WASHER, rod lever, 5/16 x 7/8 x 5/64 (2).	Late 76 to * – DE40
7	6375B	WASHER, lockout knob & brake cable, 3/8 x 9/16 x 1/32 (3).	Late 76 to * – DE40
8	7728	CASTLE NUT, disc brake cam, 5/16-24 x 15/32 x 1/2 hex.	Late 76 to * – DE40
9	7740	LOCKNUT, rod lever, 5/16-18 x 1/4 x 1/2 hex.	Late 76 to * – DE40
10	7753	NUT, clevis, 5/16-24 x 1/4 x 1/2 hex.	Late 76 to * – DE40
11	8858	BALL, cam lever (2).	Late 76 to * – DE40
12	11015	RETAINING RING, lockout knob.	Late 76 to * – DE40
13	11105	O-RING, rod lever (2).	Late 76 to * – DE40
14	26814-67	CONTACT BUTTON, plunger plate.	Late 76 to * – DE40
15	27291-32	SPRING, lockout knob.	Late 76 to * – DE40
	41621-76	DISC BRAKE ASSEMBLY (seat brake).	Late 76 to * – DE40
16	41834-67	SPRING, plunger arm.	Late 76 to * – DE40
17	42269-30	CLEVIS PIN, plunger arm rod.	Late 76 to * – DE40
18	42330-71	CLEVIS, rod end.	Late 76 to * – DE40
19	52056-72A	CAUTION LABEL.	Late 76 to * – DE40
20	52311-76	CABLE, rod lever to brake cam.	Late 76 to * – DE40
21	52313-76	LEVER, rod and brake cable.	Late 76 to * – DE40

NOTE: Asterisk (*) indicates part is used for latest model year shown on cover.

SEAT BRAKE



INDEX PART
NO. NO. NAME

USED ON

SEAT BRAKE (CONT'D)

22	52315-76	CAM, disc brake.....	Late 76 to * - DE40
23	52317-76	ROD, plunger arm.....	Late 76 to * - DE40
24	52319-76	CLEVIS PIN, plunger arm.....	Late 76 to * - DE40
25	52320-76	KNOB, lockout.....	Late 76 to * - DE40
26	52321-76	CLEVIS PIN, lockout knob.....	Late 76 to * - DE40
27	52322-76	PLUNGER PLATE.....	Late 76 to * - DE40
28	52323-76	ROD, plunger arm spring.....	Late 76 to * - DE40
29	52324-76	BUSHING, plunger.....	Late 76 to * - DE40
30	52325-76	PLUNGER ARM.....	Late 76 to * - DE40
	52327-76	SEAT BRAKE KIT.....	Late 76 to * - DE40
31	73092-61B	CLEVIS PIN, brake cable (2).....	Late 76 to * - DE40
32	89465-74	SPACER, rod lever bolt.....	Late 76 to * - DE40

NOTE: Asterisk (*) indicates part is used for latest model year shown on cover.

PART
NO.

N A M E

U S E D O N

FRONT SUSPENSION – PAGE 9

6653	WASHER, kingpin, 5/8 x 1-5/16 x 3/32 (2).....	Late 76 to * – DE40
6926	BELLEVILLE SPRING WASHER, 5/8 x 1-1/4 x 3/64 (4)....	76 to * – DE40
7741	LOCKNUT, kingpin, 1/2-20 x 1/2 x 3/4 hex. (2).....	Late 77 to * – DE40 (Above 8D-10057-H7)
7990	LOCKNUT, kingpin, 5/8-18 x 3/8 x 15/16 hex. (2).....	Late 76 to Early 77 – DE40 (Below 8D-10057-H7)
7995	LOCKNUT, kingpin, 5/8-18 x 3/8 x 15/16 (2).....	Early 76 – DE40
43936-77	PIVOT BLOCK (2).....	Late 77 to * – DE40 (Above 8D-10057-H7)
57215-75	BUSHING, steering arm (2).....	76 to * – DE40
57222-77	KINGPIN (2).....	Late 77 to * – DE40 (Above 8D-10057-H7)

DISC BRAKE – PAGE 11

16280-77	BRACE, motor.....	77 to * – DE40
41421-77	CAM LEVER.....	77 to * – DE40
41781-77	BRAKE SHOE ASSEMBLY, complete.....	77 to * – DE40

STEERING WHEEL AND GEAR – PAGE 13

43820-75A	STEERING STOP.....	76 to * – DE40
47585-75A	ARM, steering gear.....	76 to * – DE40

FRONT HOUSING – PAGE 15

8480	POP RIVET, floormat, 3/16 x 1/2 x 5/8 dia. hd. (black aluminum) (13).....	Late 76 to * – DE40
47464-75	CAUTION DECAL (Replaced by 47464-76)	
47464-76	CAUTION DECAL.....	76 to * – DE40
58510-76	SHIELD KIT, front housing.....	76 to * – DE40
	Includes besides shield:	
6150W	WASHER, 3/16 x 3/8 x 1/16 (8)	
8212	POP RIVET (8)	
58511-76	CHANNEL, trim	
58512-76	TRIM, channel	
58513-76	TRIM, shield edge	

FRAME, REAR SUSPENSION AND BUMPERS – PAGE 17

2778	SCREW, bumper end, No. 10-16 x 1-1/2 self tapping hex. washer hd. (8).....	Late 76 to * – DE40
3996	BOLT, bumper support 5/16-24 x 7/8 hex. hd. (2).....	Late 76 to * – DE40
6701	WASHER, u-bolt, 3/8 x 13/16 x 1/16 (8).....	77 to * – DE40
7506	LOCKNUT, u-bolt, 3/8-24 x 3/8 x 9/16 hex. (8).....	Late 76 to * – DE40
7825	LOCKNUT, swing arm bolt, 7/16-20 x 7/16 x 5/8 hex. (2) ..	Late 76 to * – DE40
41565-77	MOUNTING SHIM, u-bolt (2).....	77 to * – DE40
41783-77	U-BOLT, swing arm (4).....	77 to * – DE40
82852-77	BRACKET, u-bolt (2).....	77 to * – DE40
91102-76	SUPPORT, front bumper (2).....	Late 76 to * – DE40

SEATS – PAGE 19

3987	BOLT, seat, 5/16-18 x 3/4 hex. hd. (16).....	Late 76 to * – DE40
52048-76	COVER, seat back pad (2).....	Late 76 to * – DE40
52191-76	SEAT BACK PAD (2).....	Late 76 to * – DE40
52193-76	SEAT CUSHION (2).....	Late 76 to * – DE40
52670-76	SEAT SUPPORT WITH HANDRAIL, right.....	Late 76 to * – DE40
52672-76	SEAT SUPPORT WITH HANDRAIL, left.....	Late 76 to * – DE40

NOTE: Asterisk (*) indicates part is used for latest model year shown on cover.

PART
NO.

N A M E

U S E D O N

BODY AND BAG HOLDER – PAGE 21

8317	POP RIVET (Replaced by 8321)	
8321	POP RIVET, nameplate (2); bagwell stud receptacle (16) 1/8 x 1/2 x 1/4 dia. hd. (aluminum)	76 to * – DE40
50212-77	GROMMET, body – front	77 to * – DE40
53501-75A	SUPPORT TUBE ASSEMBLY	76 to * – DE40

WIRING – PAGE 27

71774-77	INSULATOR, straight terminal – snap switch wires (2)	77 to * – DE40
71775-77	WIRE, solenoid B to snap switch	77 to * – DE40
71776-77	WIRE, solenoid F to snap switch	77 to * – DE40

SWITCHES – PAGE 29

2338	SCREW, snap switch, No. 4-48 x 2 Pozidriv pan hd. (2)	77 to * – DE40
3787	BOLT, base plate, 1/4-20 x 3/4 hex. hd. (3)	77 to * – DE40
6703	WASHER, base plate, 1/4 x 5/8 x 1/16 (3)	77 to * – DE40
6716	WASHER, pivot shaft, No. 10 x 1/2 x 3/64 (2)	Late 76 to * – DE40
7560	NUT, snap switch, No. 4-48 x 3/32 x 1/4 hex. (4)	77 to * – DE40
7742	LOCKNUT, base plate, 1/4-20 x 7/32 x 7/16 hex. (3)	77 to * – DE40
7744	JAMNUT, contact screw, 5/16-24 x 3/16 x 1/2 hex. (6)	77 to * – DE40
7998	LOCKNUT, pivot shaft, No. 10-24 x 13/64 x 3/8 hex. (2)	Late 76 to * – DE40
71506-77	SNAP SWITCH	77 to * – DE40
71740-77	SPEED CONTROL SWITCH, complete	77 to * – DE40
71741-77	BASE PLATE	77 to * – DE40
71742-75	CONTACT SCREW (6)	77 to * – DE40
71744-77	PIVOT SHAFT	77 to * – DE40
71746-77	CONTROL LEVER	77 to * – DE40
71748-77	PLATE, brush	77 to * – DE40
71757-77	STUD, adaptor (adapts 71740-77 to 1976 cars)	76 – DE40
71772-77	CONNECTOR TAB, base plate contacts	77 to * – DE40
71773-77	SPACER, snap switch (2)	77 to * – DE40

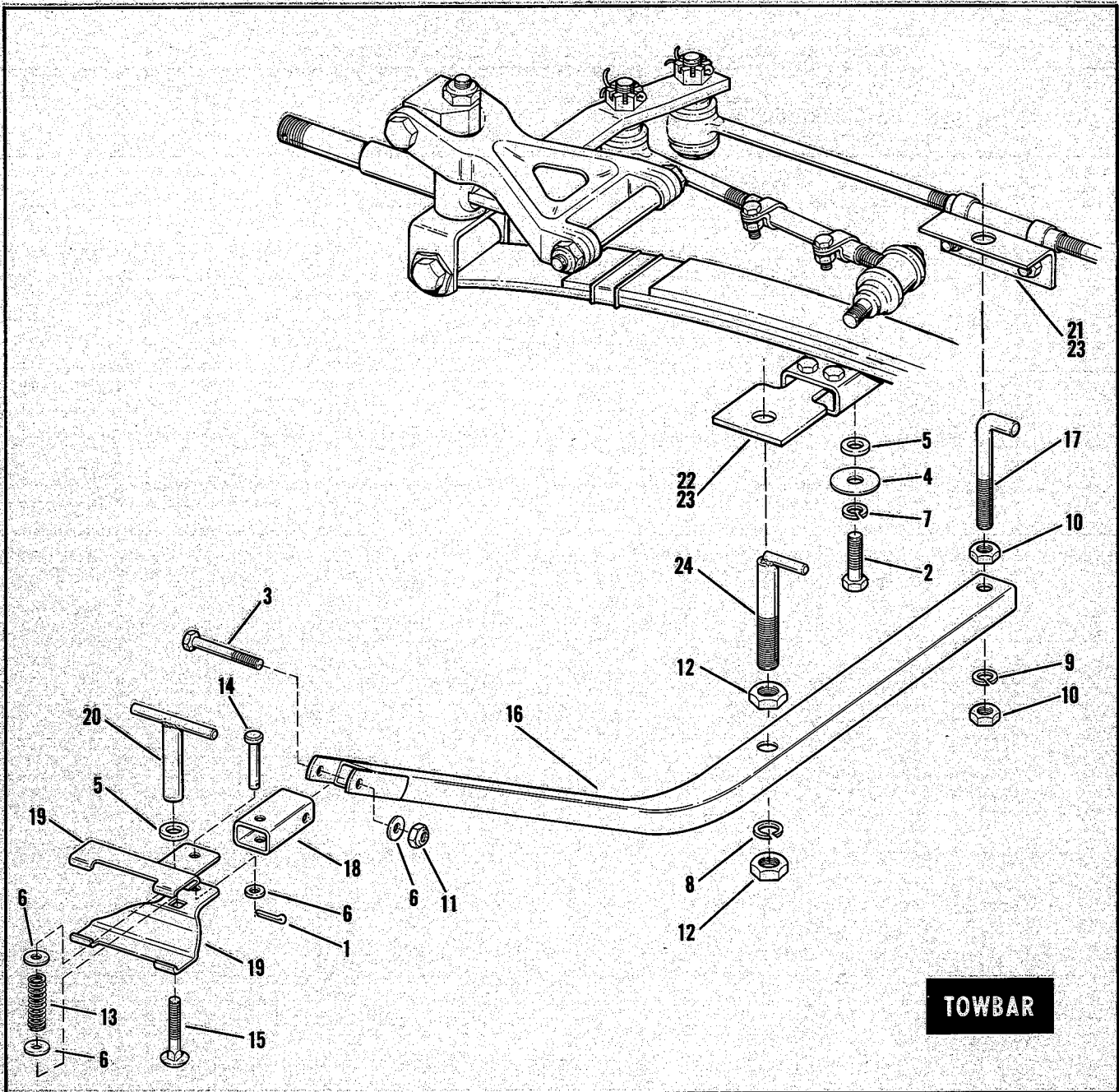
SOLENOIDS – PAGE 31

71480-77	STUD, speed switch mounting	77 to * – DE40
71754-77	MOUNTING PLATE, solenoid	77 to * – DE40
74603-77	RESISTOR COIL, third speed	77 to * – DE40

TRACTION MOTOR – AMF – PAGE 33

4085B	BOLT, 3/8-16 x 7/8 hex. hd. (4) (correction)	76 – DE40
4380W	BOLT, end cover, 3/8-24 x 2 hex. hd. (4)	77 to * – DE40
6701	WASHER, end cover, 3/8 x 13/16 x 1/16 (4)	77 to * – DE40
7038	LOCKWASHER, end cover, 3/8 (4)	77 to * – DE40
7800W	NUT, end cover, 3/8 x 5/16 x 9/16 hex. (4)	77 to * – DE40

NOTE: Asterisk (*) indicates part is used for latest model year shown on cover.



TRACTION MOTOR - GE - PAGE 35

4380W	BOLT, end cover, 3/8-24 x 2 hex. hd. (4)	77 to * - DE40
6701	WASHER, end cover, 3/8 x 13/16 x 1/16 (4)	77 to * - DE40
7038	LOCKWASHER, end cover, 3/8 (4)	77 to * - DE40
7800W	NUT, end cover, 3/8-24 x 5/16 x 9/16 hex. (4)	77 to * - DE40
70491-73	SET OF 4 BRUSHES WITH WIRES	76 to * - DE40
72342-73	SQUARE WASHER, terminal studs (2)	76 to * - DE40
72352-73	SQUARE INSULATOR, terminals A1 & A2 (2)	76 to * - DE40
72379-73	BOLT, end cover (2)	76 to * - DE40
72380-72	BALL BEARING	76 to * - DE40
72386-73	BRUSH COVER (4)	76 to * - DE40
83251-75	BOLT (Replaced by 72379-73)	
83258-75	SQUARE WASHER (Replaced by 72342-73)	
83261-75	SQUARE INSULATOR (Replaced by 72352-73)	
83265-75	BRUSH COVER (Replaced by 72386-73)	
83266-75	BALL BEARING (Replaced by 72380-72)	
83267-75	BRUSH WITH WIRE (Replaced by 70491-73)	

TOW BAR

1	534	COTTER PIN, 1/16 dia. x 1	76 to * - DE40
2	2895	BOLT, 3/8-24 x 7/8 hex. hd.	76 to * - DE40
3	4401W	BOLT, 3/8-24 x 2-3/4 hex. hd.	76 to * - DE40
4	6112	WASHER, 3/8 x 1-1/2 x 3/32	76 to * - DE40
5	6607W	WASHER, 3/8 x 29/32 x 5/32 (2)	76 to * - DE40
6	6701	WASHER, 3/8 x 13/16 x 1/16 (4)	76 to * - DE40
7	7038	LOCKWASHER, 3/8	76 to * - DE40
8	7043	LOCKWASHER, 3/4	76 to * - DE40
9	7068	LOCKWASHER, 1/2	76 to * - DE40
10	7644	JAMNUT, 1/2-20 x 5/16 x 3/4 hex. (2)	76 to * - DE40
11	7776W	LOCKNUT, 3/8-24 x 3/4 x 9/16 hex.	76 to * - DE40
12	7855W	JAMNUT, 3/4-16 x 7/16 x 1-1/8 hex. (2)	76 to * - DE40
13	73074-61	SPRING	76 to * - DE40
14	82012-70	PIN	76 to * - DE40
15	82013-70	CARRIAGE BOLT	76 to * - DE40
	82500-76	TOW BAR KIT	76 to * - DE40
16	82501-76	TOW BAR	76 to * - DE40
17	82504-76	L-BOLT (bent)	76 to * - DE40
18	82505-76	BLOCK, swivel	76 to * - DE40
19	82506-76	GRIP, bumper (2)	76 to * - DE40
20	82507-76	HANDLE	76 to * - DE40
21	82510-76	BRACKET, tie rod	76 to * - DE40
22	82511-76	BRACKET, tow	76 to * - DE40
23	82515-77	TOW BAR BRACKET KIT	76 to * - DE40
		Consists of:	
	2895	BOLT, 3/8-24 x 7/8 hex. hd.	
	6112	WASHER, 3/8 x 1-1/2 x 3/32	
	6607W	WASHER, 3/8 x 29/32 x 5/32	
	7038	LOCKWASHER, 3/8	
	82510-76	BRACKET, tie rod	
	82511-76	BRACKET, tow	
24	82520-76	L-BOLT (welded)	76 to * - DE40

REAR AXLE AND DIFFERENTIAL - 1977 & LATER

376	DOWEL PIN, differential case (2)	77 to * - DE40
3940	BOLT, differential case - left, 5/16 x 7/8 hex. hd. (10)	77 to * - DE40
3957	BOLT, differential gear carrier, 3/8 x 3-3/8 hex. hd. (4)	77 to * - DE40
3962	BOLT, axle housing, 1/2 x 1-1/2 hex. hd. (8)	77 to * - DE40
3977	BOLT, hub, 7/16 x 1-1/2 hex. hd. (8)	77 to * - DE40
6573	WASHER, differential gear carrier, 3/8 x 3/4 x 1/16 (2)	77 to * - DE40
7049	LOCKWASHER, axle housing, 1/2 (8)	77 to * - DE40

NOTE: Asterisk (*) indicates part is used for latest model year shown on cover.

PART
NO.

NAME

USED ON

REAR AXLE AND DIFFERENTIAL - 1977 & LATER (CONT'D)

7054	NUT, hub to axle housing (8)	77 to * - DE40
7061	LOCKWASHER, gear carrier, 3/8 (4)	77 to * - DE40
7216	RETAINER, axle nut (2)	77 to * - DE40
7661	LOCKWASHER, hub bolt, 7/16 (8)	77 to * - DE40
7664	NUT, axle shaft (2)	77 to * - DE40
82805-77	REAR AXLE AND DIFFERENTIAL ASSEMBLY, complete	77 to * - DE40
82839-77	PINION SHAFT	77 to * - DE40
83044-77	GASKET, differential case	77 to * - DE40
83046-77	SPACER, pinion shaft - outer	77 to * - DE40
83049-77	SEAL, pinion shaft	77 to * - DE40
83052-77	RETAINING RING, pinion bearing - outer	77 to * - DE40
83054-77	BALL BEARING, pinion shaft	77 to * - DE40
83056-77	RETAINING RING, pinion bearing - inner	77 to * - DE40
83090-77	RING GEAR	77 to * - DE40
83091-77	GEAR, axle (2)	77 to * - DE40
83092-77	GEAR, idler (2)	77 to * - DE40
83093-77	THRUST WASHER, idler gear (2)	77 to * - DE40
83094-77	SHAFT, idler gear	77 to * - DE40
83109-77	RADIAL BEARING, pinion shaft	77 to * - DE40
83111-77	SPACER, pinion shaft - inner	77 to * - DE40
83117-77	NEEDLE BEARING, axle (2)	77 to * - DE40
83121-77	DIFFERENTIAL CASE, right	77 to * - DE40
83122-77	THRUST WASHER, axle gear (2)	77 to * - DE40
83123-77	DIFFERENTIAL CASE - left	77 to * - DE40
83124-77	CARRIER, gear - differential	77 to * - DE40
83127-77	PIN, idler gear shaft	77 to * - DE40
83128-77	PLUG, fill	77 to * - DE40
83129-77	O-RING, axle housing (2)	77 to * - DE40
83130-77	PLATE, axle housing end (2)	77 to * - DE40
83136-77	NEEDLE BEARING, pinion shaft	77 to * - DE40
83138-77	SEAL, axle housing - outer (2)	77 to * - DE40
83144-77	AXLE, right	77 to * - DE40
83145-77	HOUSING, axle - right	77 to * - DE40
83146-77	HOUSING, axle - left	77 to * - DE40
83147-77	SHAFT, axle - left	77 to * - DE40
83148-77	BALL BEARING, axle (2)	77 to * - DE40
83149-77	SPACER, hub to axle bearing (2)	77 to * - DE40
83151-77	KEY, hub (2)	77 to * - DE40
83153-77	WHEEL HUB, with studs (2)	77 to * - DE40
83155-77	THRUST WASHER, gear carrier - radial bearing (2)	77 to * - DE40
83156-77	RADIAL BEARING, gear carrier	77 to * - DE40

SUNTOP - PAGE 39

4017	BOLT, 5/16-18 x 1 hex. hd. (4)	Late 76 to * - DE40
5927	WASHER, support tube, 5/16 x 1-1/2 x 3/32 rubber (2)	Late 76 to * - DE40
6678W	WASHER, support tube, 11/32 x 1-1/2 x 5/32 (2)	Late 76 to * - DE40
7710W	LOCKNUT, 5/16-18 x 1/4 x 1/2 hex. (18)	Late 76 to * - DE40
8488B	POP RIVET, suntop, 3/16 x 3/8 x 5/8 dia. hd. (black) (10)	Late 76 to * - DE40
83190-75	STRAIGHT KEY	76 to * - DE40
89502-75	SUNTOP (Replaced by 89501-75)	
89520-77	TRIM, suntop edge	76 to * - DE40

WINDSHIELD AND BAG COVER - PAGE 40

58106-76	PAD, windshield (sun top support tubes) (2)	76 to * - DE40
58315-76	STRIP, channel (2) (correction)	76 to * - DE40
89436-76	COVER (Replaced by 89435-76)	

NOTE: Asterisk (*) indicates part is used for latest model year shown on cover.