

AMF

Harley-Davidson

PARTS CATALOG

1980

DE-3 Electric Golf Car

1977 to

ISSUED: SEPTEMBER 1979

No. 99449-80

GENERAL INFORMATION

This Parts Catalog has been prepared for your convenience when ordering parts for the Model DE-3 Electric Golf Car.

Number in parenthesis following description of part is the quantity needed for complete assembly shown in illustration. If there is no number in parenthesis, only one is used.

Prices of parts and accessories listed in this catalog are published separately in the latest PRICE LIST.

The following instructions should be followed carefully when ordering parts:

- Specify the correct part number for each item. Whenever in doubt about the model and year, refer to the Vehicle Identification Number stamped on the frame.

The Vehicle Identification Number (V.I.N.) is located on the frame under the left seat. The V.I.N (vehicle identification number) for the DE-3 model is as follows:

MODEL (Model)	FIRST TWO DIGITS (Model)	NEXT FIVE DIGITS (Sequential Number)	SECOND LAST DIGIT (Manufacturer)	LAST DIGIT (Model Season)
DE-3	4B	10000 and up	H-1970 thru 1970 J-1980 & Later (Harley-Davidson)	7-1977 8-1978 9-1979 0-1980

Example: 1977 DE-3 (4B 12151 H7)
1978 DE-3 (4B 12151 H8)
1979 DE-3 (4B 12151 H9)
1980 DE-3 (4B 12151 J0)

- Part numbers are to be used when ordering by TELEGRAM or CABLE.
- When ordering parts use our standard Parts & Accessories order form, Part No. 99511-76, for all parts. The use of these forms will enable us to fill and ship your order more promptly. These forms are furnished free of charge upon request.
- Do not order golf cars or advertising matter on Parts Order Forms. Write nothing on the order form except the order itself, as any other correspondence will not be answered until the order is shipped and billed.
- Freight, Express and Parcel Post orders should be on separate order forms.
- For your own records, number and date all orders, also keep a carbon copy for reference in case of misunderstanding.

ALPHABETICAL INDEX

	Page		Page
Accelerator Pedal	3	Mirror	55
Accessory Panel	17	Numerical Index	56
Axle — Front	9	Rear Axle and Differential .	49, 51
Bag Holders	21	Resistor	33
Batteries	29	Seat	23
Battery Charger	31	Seat Brake	5
Beverage Holder	23	Shields	17
Body	25	Shock Absorber	19
Brake Pedal	7	Solenoids	41
Bumper — Front	55	Speed Switch	37
Bumper — Rear	25	Splash Guard	25
Carry All	17	Steering Tiller	13
Cigarette Lighter	33	Steering Wheel	15
Disc Brake	11	Suntop	53
Floormat	17	Tiller	13
Fork — Front	12	Traction Motor - AMF	43
Fork — Rear	19	Traction Motor - Hitachi ...	45
Fork Housing	17	Traction Motor - GE	47
Frame	19	Tow Bar	55
Handrail	23	Wheels	9
Ignition Switch	39	Windshield	27
		Wiring	33, 35

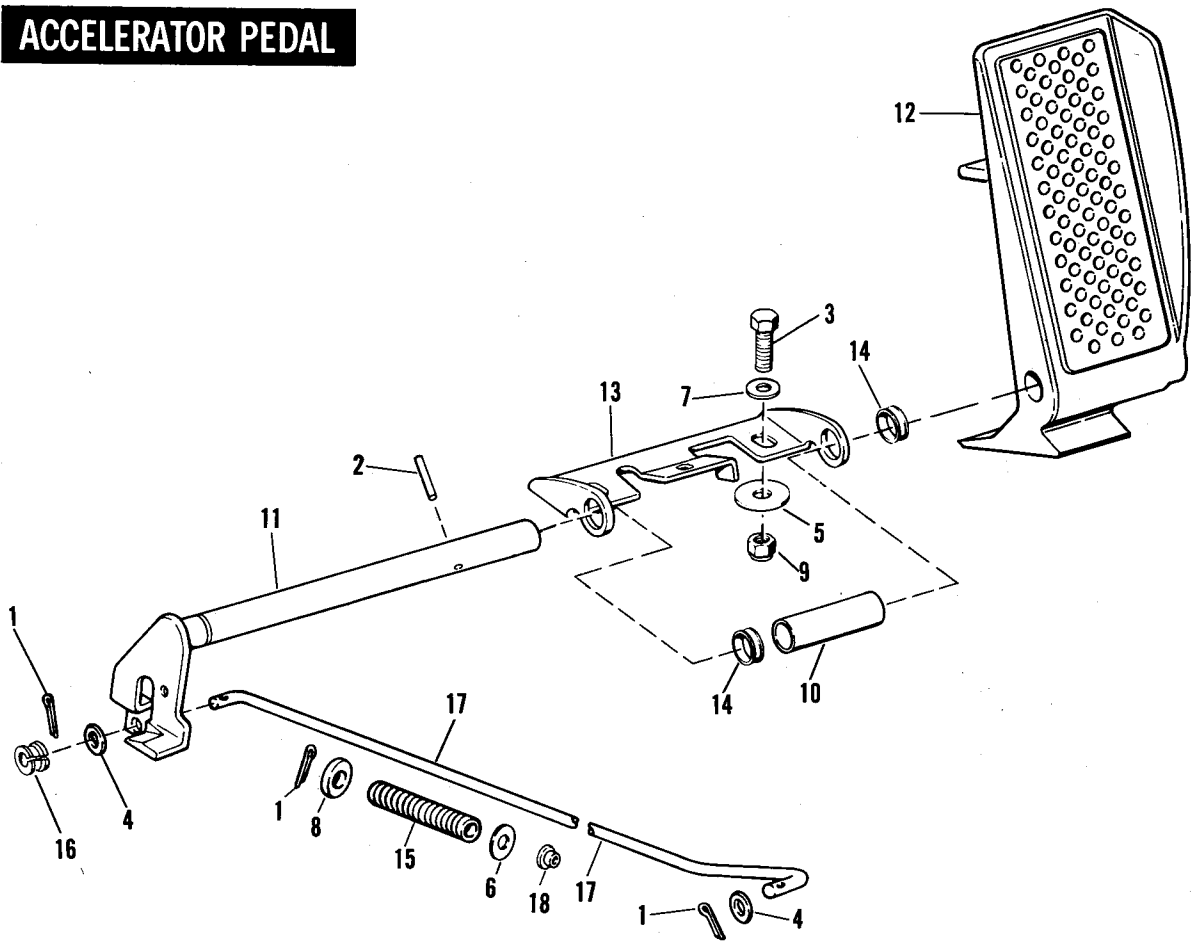
PATENT NOTICE

Harley-Davidson products are manufactured under one or more of the following patents: U.S. Patents — 2986162, 2987934, 2998809, 3116089, 3144631, 3144860, 3226994, 3229792, 3434887, 3559773, 3673359, 3709317, Des. 225,626.

To the best knowledge of Harley-Davidson Motor Co., Inc., the material contained herein is accurate as of the date this publication was approved for printing. Harley-Davidson Motor Co., Inc., reserves the right to change specifications, equipment, or designs at any time without notice and without incurring obligation.

AMF HARLEY-DAVIDSON MOTOR CO., INC.

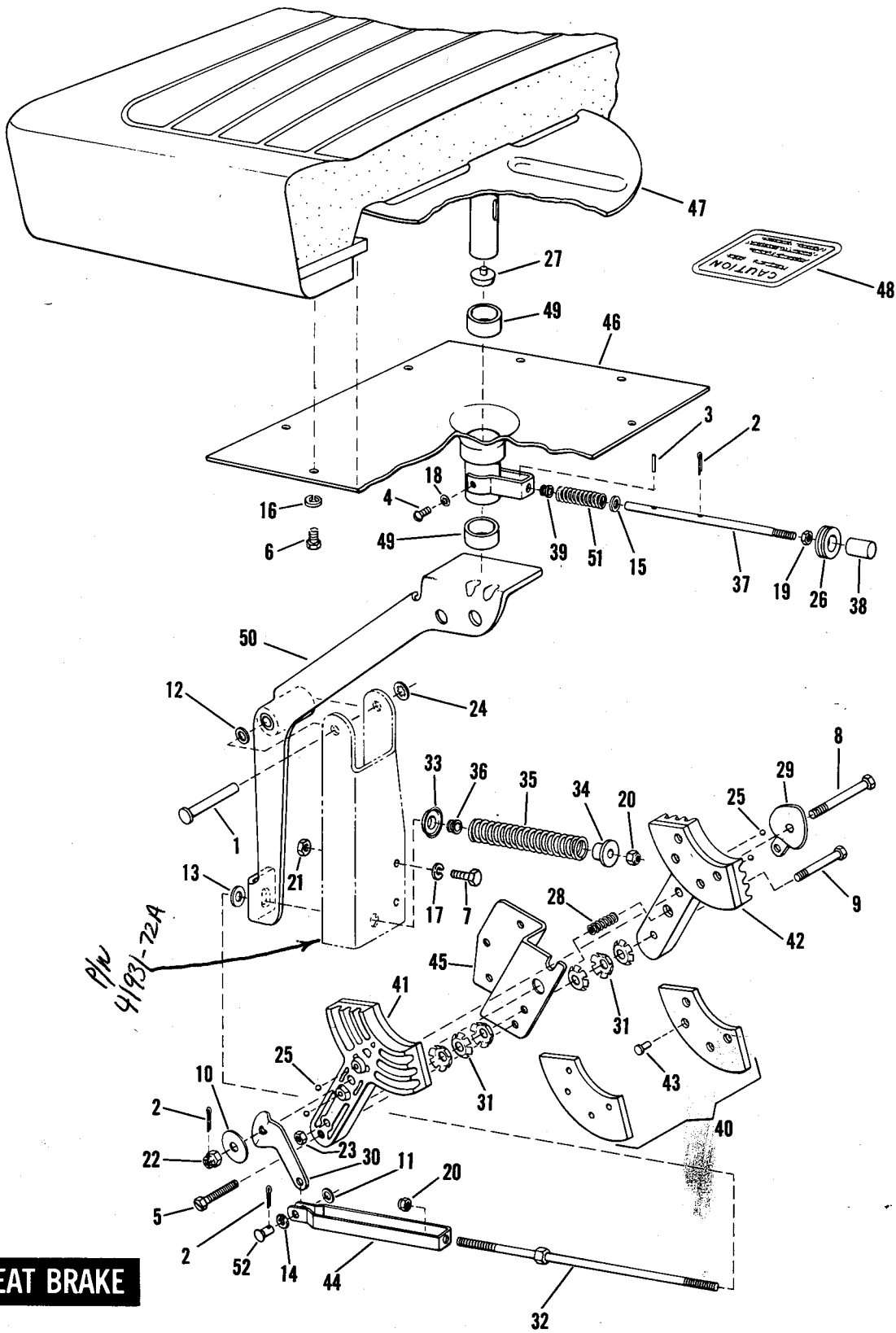
ACCELERATOR PEDAL



ACCELERATOR PEDAL

INDEX NO.	PART NO.	N A M E	USED ON
1	515	COTTER PIN, 1/16 x 3/4 (3)	77 to * — DE3
2	610	ROLL PIN, accelerator pedal	77 to * — DE3
3	3987	BOLT, 5/16-18 x 3/4 hex. hd. (2)	77 to * — DE3
4	6165W	WASHER, 3/16 x 3/8 x 1/32 (2)	77 to * — DE3
5	6341B	WASHER, 5/16 x 1-1/8 x 1/16 (2)	77 to * — DE3
6	6416	WASHER, 3/8 x 1 x 5/64	77 to * — DE3
7	6702	WASHER, 5/16 x 11/16 x 1/16 (2)	77 to * — DE3
8	6716	WASHER, No. 10 x 1/2 x 3/64	77 to * — DE3
9	7739	LOCKNUT, 5/16-18 x 11/32 x 1/2 hex. (2)	77 to * — DE3
10	40501—63	BUSHING SPACER, accelerator	77 to * — DE3
11	40512—68A	INTERLOCK SHAFT, accelerator — with bearing	77 to * — DE3
12	40516—68	ACCELERATOR PEDAL	77 to * — DE3
13	40518—68	BRACKET, accelerator	77 to * — DE3
14	40522—63	BUSHING, accelerator (2)	77 to * — DE3
15	71513—66A	SPRING, speed switch rod	77 to * — DE3
16	71793—71	BEARING, accelerator interlock shaft	77 to * — DE3
17	71798—66B	ROD, accelerator linkage	77 to * — DE3
18	71799—68	NYLON BUSHING, speed switch rod	77 to * — DE3

NOTE: Asterisk (*) indicates part is used for latest model year shown on cover.



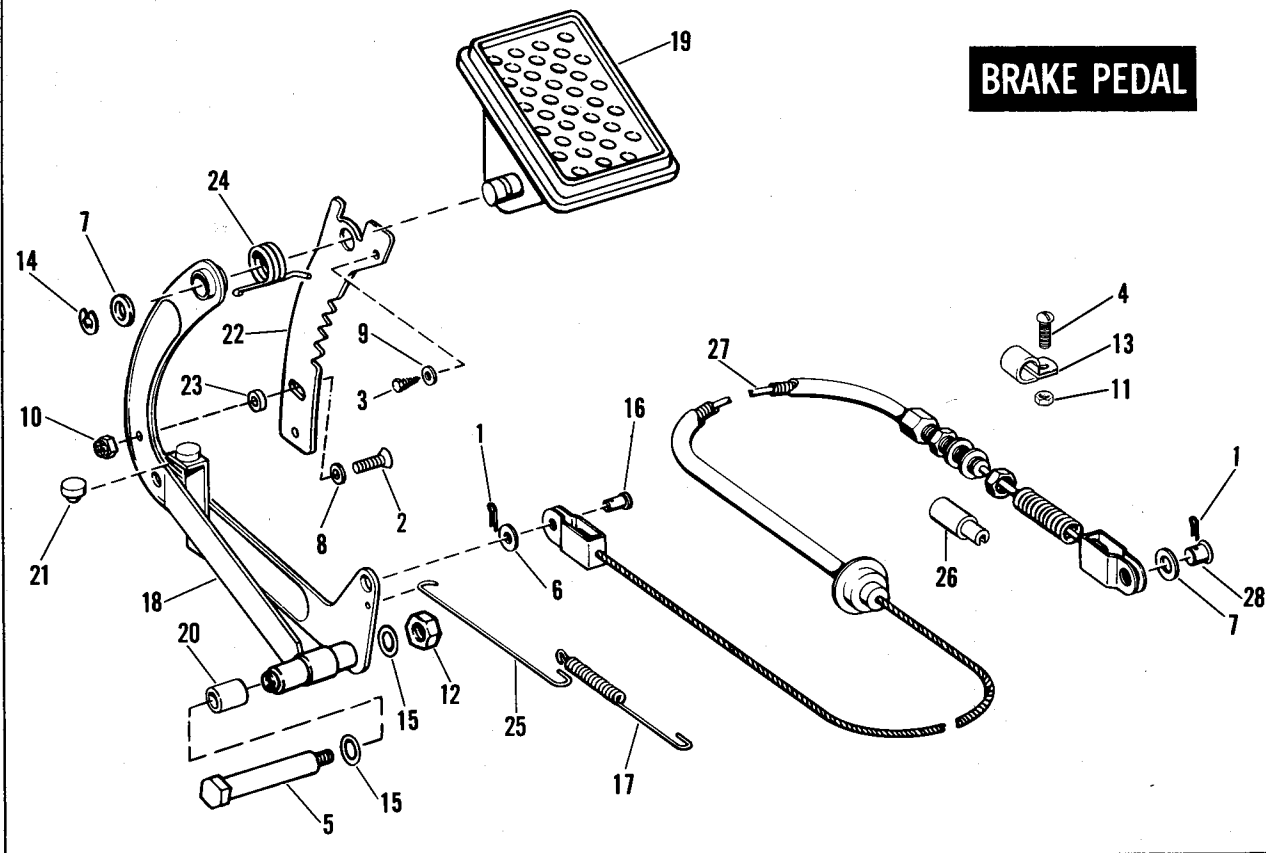
SEAT BRAKE

SEAT BRAKE

INDEX NO.	PART NO.	N A M E	USED ON
1	360W	PIVOT PIN, seat brake lever	77 to * — DE3
2	515	COTTER PIN, 1/16 x 3/4 (3)	77 to * — DE3
3	612	ROLL PIN, lockout rod	77 to * — DE3
4	2668	SCREW, No. 10-24 x 9/16 Pozidriv pan hd.	77 to * — DE3
5	2796W	SCREW, 1/4-20 x 1-1/2 hex. slot hd. (w/lock patch)	77 to * — DE3
6	3767B	BOLT, 1/4-20 x 5/8 hex. hd. (4)	77 to * — DE3
7	3974HW	BOLT, 5/16-24 x 3/4 hex. hd. (2)	77 to * — DE3
8	4064W	BOLT, 5/16-24 x 3-3/4 hex. hd. (drilled)	77 to * — DE3
9	4725	BOLT, 5/16-24 x 2-3/4 hex. hd.	77 to * — DE3
10	6321H	WASHER, 11/32 x 1 x 5/64	77 to * — DE3
11	6375B	WASHER, 3/8 x 9/16 x 1/32	77 to * — DE3
12	6409	WASHER, 1/2 x 3/4 x 1/32 nylon	77 to * — DE3
13	6410	WASHER, 1/4 x 9/16 x 1/16 nylon	77 to * — DE3
14	6469HW	WASHER, 7/16 x 3/4 x 1/8	77 to * — DE3
15	6701	WASHER, 3/8 x 13/16 x 1/16	77 to * — DE3
16	7036	LOCKWASHER, 1/4 (4)	77 to * — DE3
17	7041	LOCKWASHER, 5/16 (2)	77 to * — DE3
18	7118	LOCKWASHER, No. 10 internal tooth	77 to * — DE3
19	7643W	JAM NUT, 3/8-16 x 7/32 x 9/16 hex.	77 to * — DE3
20	7682	LOCKNUT, 1/4-28 x 3/16 x 7/16 hex. (2)	77 to * — DE3
21	7727	LOCKNUT, 5/16-24 x 1/4 x 1/2 hex. (2)	77 to * — DE3
22	7728	CASTLE NUT, 5/16-24 x 15/32 x 1/2 hex.	77 to * — DE3
23	7729	LOCKNUT, 5/16-24 x 1/4 x 1/2 hex.	77 to * — DE3
24	8112B	PUSH NUT, lever pivot pin	77 to * — DE3
25	8858	BALL (4)	77 to * — DE3
26	11422	GROMMET, lockout knob	77 to * — DE3
27	26814-67	CONTACT BUTTON, plunger plate	77 to * — DE3
28	38078-47	SPRING, brake shoe	77 to * — DE3
29	41421-74	BRAKE CAM LEVER	77 to * — DE3
30	41422-74	BRAKE CAM	77 to * — DE3
31	41424-63	SPRING WASHER (6)	77 to * — DE3
32	41714-74	OPERATING ROD	77 to * — DE3
33	41722-72	RETAINER, operating rod spring	77 to * — DE3
34	41775-72	GUIDE, operating rod spring	77 to * — DE3
35	41776-72	SPRING, operating rod	77 to * — DE3
36	41777-72	BUSHING, operating rod	77 to * — DE3
37	41778-72	LOCKOUT ROD	77 to * — DE3
38	41779-72	KNOB, lockout	77 to * — DE3
39	41780-72	BUSHING, lockout knob	77 to * — DE3
40	41810-64A	SET OF BRAKE LININGS AND RIVETS	77 to * — DE3
41	41811-64A	BRAKE SHOE, front	77 to * — DE3
42	41811-71	BRAKE SHOE, rear	77 to * — DE3
43	41841-63	RIVET, brake lining (8)	77 to * — DE3
44	42267-74	CLEVIS	77 to * — DE3
45	47748-72	BRACKET, brake shoe	77 to * — DE3
46	52043-72	GUIDE PLATE, plunger plate	77 to * — DE3
47	52045-72	PLUNGER PLATE, seat brake	77 to * — DE3
48	52056-72A	CAUTION LABEL	77 to * — DE3
49	52068-72	BUSHING, guide plate (2)	77 to * — DE3
50	52070-74	LEVER, seat brake	77 to * — DE3
51	73074-61	SPRING, lockout rod	77 to * — DE3
52	73092-61B	PIN, clevis to brake	77 to * — DE3

NOTE: Asterisk (*) indicates part is used for latest model year shown on cover.

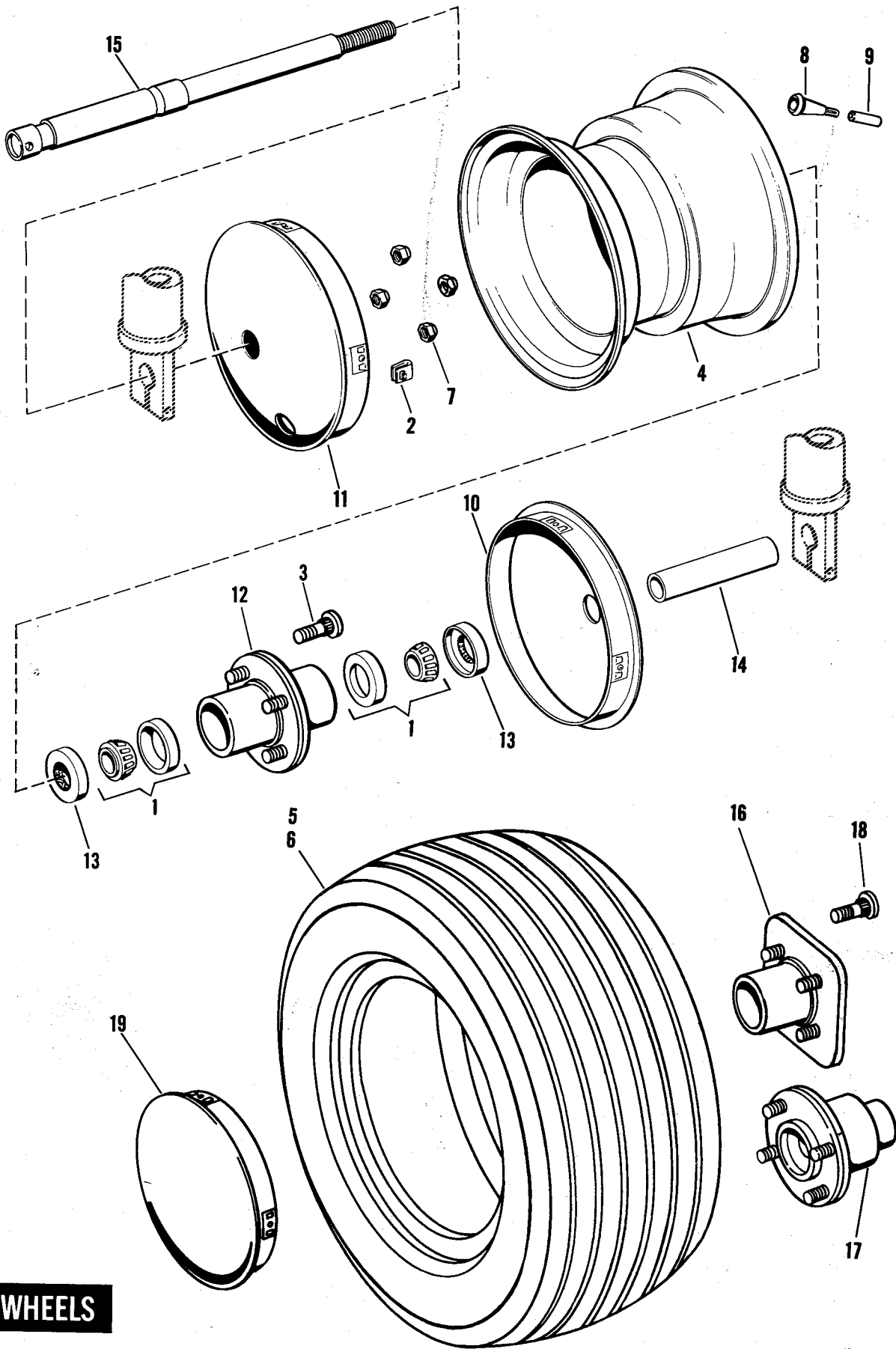
BRAKE PEDAL



BRAKE PEDAL

INDEX NO.	PART NO.	N A M E	USED ON
1	515	COTTER PIN, 1/16 x 3/4	77 to * — DE3
2	1764W	SCREW, No. 10-24 x 1-1/8 ctsk. flat socket hd.	77 to * — DE3
3	2685W	SCREW, No. 10-24 x 5/8 self tapping hex. hd.	77 to * — DE3
4	3765	BOLT, 1/4-28 x 5/8 hex. hd.	77 to * — DE3
5	4427W	SHOULDER BOLT, brake pedal	77 to * — DE3
6	6242W	WASHER, 1/4 x 9/16 x 1/32.	77 to * — DE3
7	6375B	WASHER, 3/8 x 9/16 x 1/32 (2)	77 to * — DE3
8	6702	WASHER, 5/16 x 11/16 x 1/16.	77 to * — DE3
9	6716	WASHER, No. 10 x 1/2 x 3/64	77 to * — DE3
10	7624	LOCKNUT, No. 10-24 x 1/4 x 3/8 hex.	77 to * — DE3
11	7683	LOCKNUT, 1/4-28 x 5/16 x 7/16 hex.	77 to * — DE3
12	7725	LOCKNUT, 5/16-24 x 11/32 x 1/2 hex.	77 to * — DE3
13	9963	CLAMP, brake cable	77 to * — DE3
14	11000	RETAINING RING, brake pedal	77 to * — DE3
15	11104	O-RING, brake lever (2)	77 to * — DE3
16	33874—41	CLEVIS PIN, brake cable (pedal end)	77 to * — DE3
17	41834—67	SPRING, brake pedal return	77 to * — DE3
18	42405—68	LEVER, brake pedal, with spring	77 to * — DE3
19	42479—63A	BRAKE PEDAL, only	77 to * — DE3
20	42482—63	BUSHING, brake lever	77 to * — DE3
21	42483—63	BUMPER, brake lever (rubber)	77 to * — DE3
22	42488—63B	RATCHET, brake lever	77 to * — DE3
23	42490—67	SPACER, pedal ratchet	77 to * — DE3
24	42494—63B	RATCHET SPRING, brake lever	77 to * — DE3
25	42501—67	PULL WIRE, brake pedal	77 to * — DE3
26	47741—63	SPACER, brake cable (for repairs)	77 to * — DE3
27	47761—74	BRAKE CONTROL CABLE AND COIL ASSEMBLY	77 to * — DE3
28	73092—61B	CLEVIS PIN, brake cable (brake end)	77 to * — DE3

NOTE: Asterisk (*) indicates part is used for latest model year shown on cover.



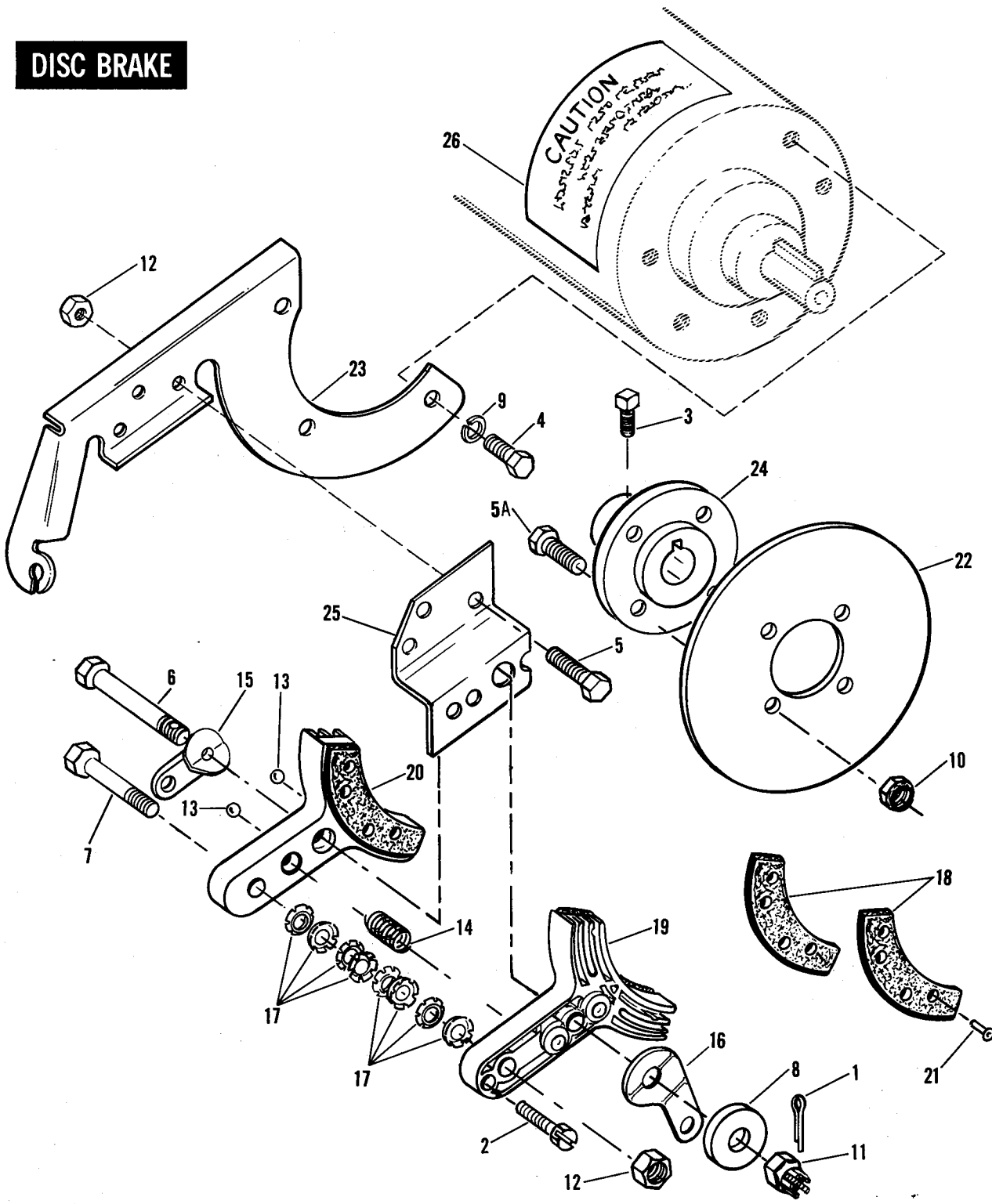
WHEELS

WHEELS

INDEX NO.	PART NO.	N A M E	USED ON
1	9033	BEARING, front wheel (2)	77 to * — DE3
2	9977	CLIP, hub cap (4)	77 to * — DE3
3	41199—66A	MOUNTING STUD, wheel hub (4)	77 to * — DE3
4	42996—80	WHEEL RIM (9.50 x 8)	80 to * — DE3
	43017—66B	WHEEL RIM (9.50 x 8)	77 to 79 — DE3
5	43103—72	TIRE, rib tread (8.50 x 8 — 4 ply)	77 to * — DE3
6	43104—72	TIRE, traction tread (8.50 x 8 — 4 ply)	77 to * — DE3
7	43152—66	WHEEL NUT (12)	77 to * — DE3
8	43156—63	VALVE WITH CORE	77 to * — DE3
9	43158—65	TIRE VALVE EXTENSION, front wheel	77 to * — DE3
10	43600—63	HUB CAP, front wheel	77 to * — DE3
11	43600—65	HUB CAP, left (with hole for valve stem)	77 to * — DE3
12	43614—66A	HUB ASSEMBLY, front wheel (includes bearings & seals)	77 to * — DE3
13	43732—63A	SEAL, front wheel (2)	77 to * — DE3
14	43738—63A	SPACER, front axle	77 to * — DE3
15	43874—70	FRONT AXLE	77 to * — DE3
16	82707—78	HUB, rear wheel (Dana) (2)	78 to * — DE3
17	83153—77	HUB, rear wheel (with studs) (2)	77 — DE3
18	83085—73	MOUNTING STUDS, rear (8)	78 to * — DE3
19	83961—63A	HUB CAP, rear wheel (2)	77 to * — DE3

NOTE: Asterisk (*) indicates part is used for latest model year shown on cover.

DISC BRAKE

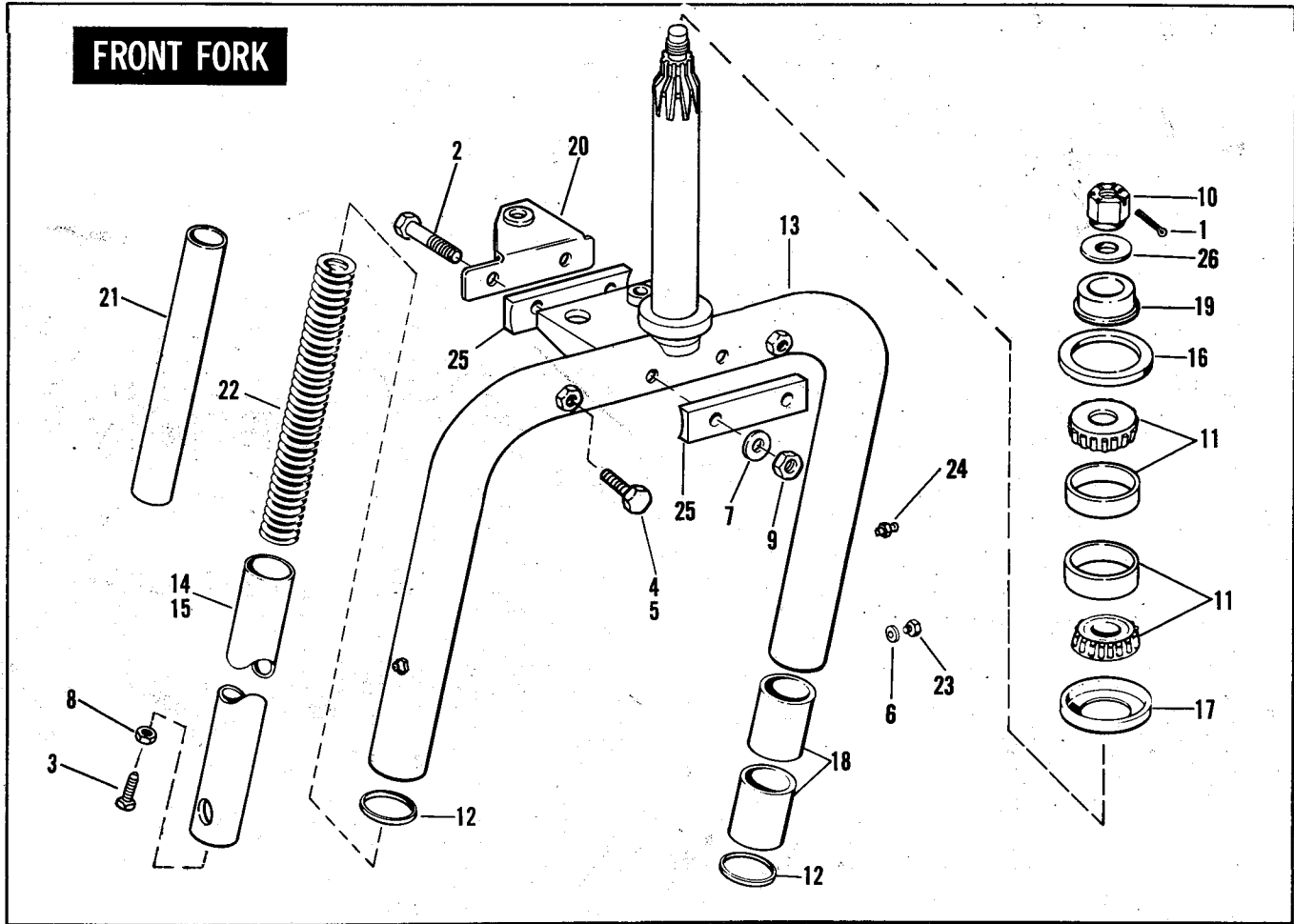


DISC BRAKE

INDEX NO.	PART NO.	N A M E	USED ON
1	515	COTTER PIN, 1/16 x 3/4	77 to * — DE3
2	2796W	SCREW, 1/4-20 x 1-1/2 hex. slot hd. (w/lock patch)	77 to * — DE3
3	3213	SET SCREW, 1/4-20 x 3/4 (2)	77 to * — DE3
4	3767B	BOLT, 1/4-20 x 5/8 hex. hd. (3)	77 to * — DE3
5	3974HW	BOLT, 5/16-24 x 3/4 hex. hd. (2)	77 to * — DE3
5A	3996	BOLT, 5/16-24 x 7/8 hex. hd. (4)	77 to * — DE3
6	4064W	BOLT, 5/16-24 x 3-3/4 hex. hd. (drilled)	77 to * — DE3
7	4725	BOLT, 5/16-24 x 2-3/4 hex. hd.	77 to * — DE3
8	5977W	SPACER	77 to * — DE3
9	7036	LOCKWASHER, 1/4 (3)	77 to * — DE3
10	7727	LOCKNUT, 5/16-24 x 1/4 x 1/2 hex. (4)	77 to * — DE3
11	7728	CASTLE NUT, 5/16-24 x 15/32 x 1/2 hex.	77 to * — DE3
12	7729	LOCKNUT, 5/16-24 x 1/4 x 1/2 hex. (3)	77 to * — DE3
13	8858	BALL, cam lever	77 to * — DE3
14	38078—47	SPRING, brake shoe	77 to * — DE3
15	41421—74	BRAKE CAM LEVER	77 to * — DE3
16	41422—74	CAM, brake lever	79 to * — DE3
17	41424—63	SPRING WASHER (6)	77 to * — DE3
18	41810—64A	SET OF BRAKE LININGS AND RIVETS	77 to * — DE3
19	41811—64A	BRAKE SHOE, front	77 to * — DE3
20	41811—71	BRAKE SHOE, rear	77 to * — DE3
21	41841—63	RIVET, brake lining (8)	77 to * — DE3
22	47744—66	BRAKE DISC	77 to * — DE3
23	47745—74	BRACKET, brake mounting	77 to * — DE3
24	47746—66	HUB, brake disc	77 to * — DE3
25	47748—72	BRACKET, brake shoe	77 to * — DE3
26	52083—72	CAUTION LABEL, brake adjustment	77 to * — DE3

NOTE: Asterisk (*) indicates part is used for latest model year shown on cover.

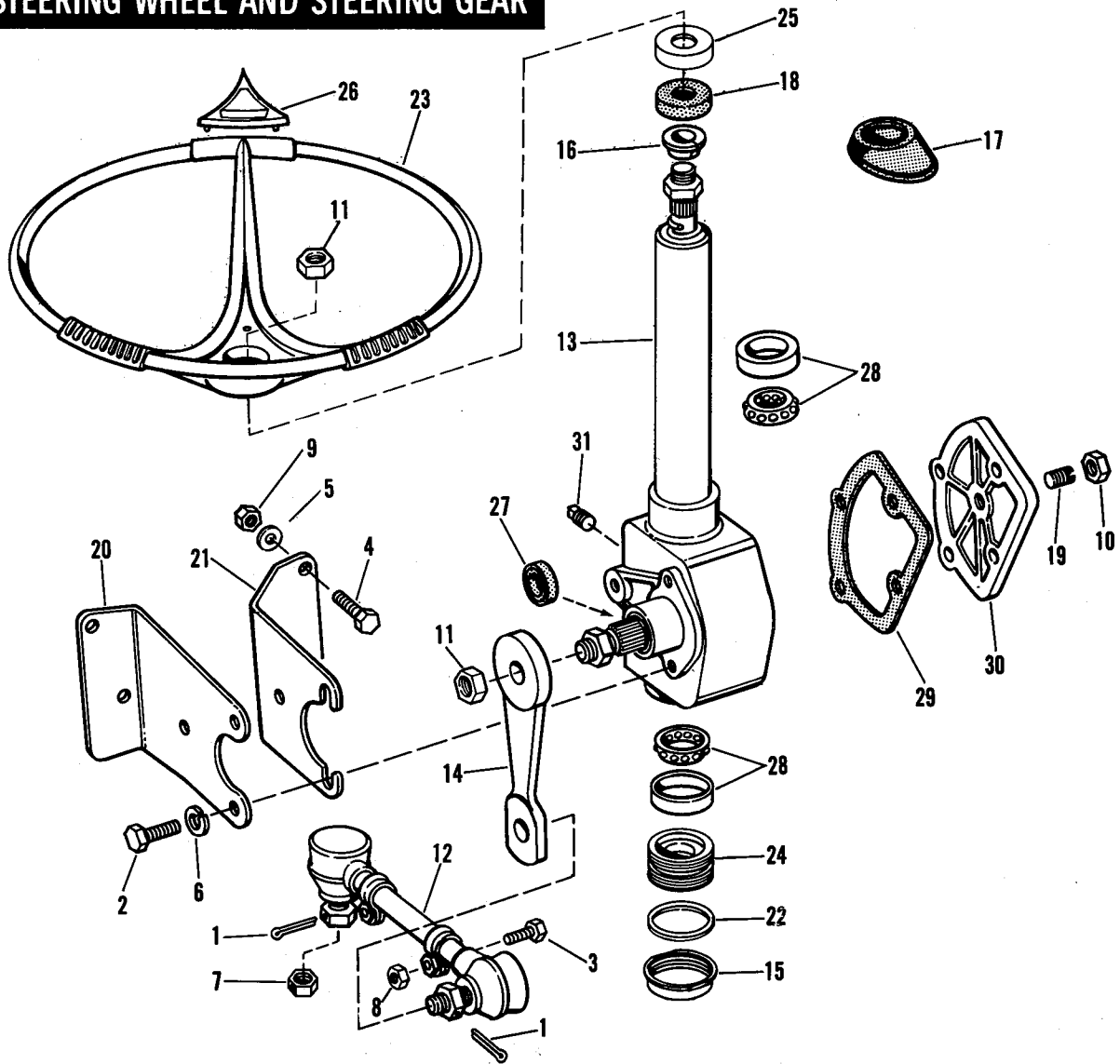
FRONT FORK



FRONT FORK

INDEX NO.	PART NO.	NAME	USED ON
1	559	COTTER PIN, 1/8 x 1-1/4	77 to * - DE3
2	2828W	BOLT, 3/8-16 x 3 hex. hd. (2)	77 to * - DE3
3	3239W	BOLT, 1/4-28 x 3/4 square hd.	77 to * - DE3
4	4411	BOLT, 3/8-24 x 1-3/4 hex. hd. (steering wheel) (2)	77 to * - DE3
5	4412	BOLT, 3/8-24 x 2-1/2 hex. hd. (tiller) (2)	77 to * - DE3
6	6218W	WASHER, 1/4 x 7/16 x 1/32 (brass) (2)	77 to 79 - DE3
7	6701	WASHER, 3/8 x 13/16 x 1/16 (2)	77 to * - DE3
8	7676	NUT, 1/4-28 x 7/32 x 7/16 hex.	77 to * - DE3
9	7778	LOCKNUT, 3/8-16 x 7/16 x 9/16 hex. (2)	77 to * - DE3
10	7947W	CASTLE NUT, 5/8-18 x 1/2 x 15/16 hex.	77 to * - DE3
11	9045	ROLLER BEARING (2)	77 to * - DE3
12	12009	SEAL (2)	77 to * - DE3
13	45529-74	FORK WITH BUSHINGS	77 to * - DE3
14	45593-70	FORK SLIDER, right	77 to * - DE3
15	45594-70	FORK SLIDER, left	77 to * - DE3
16	45599-63	BEARING GUARD, steering head	77 to * - DE3
17	45599-70	BEARING GUARD, steering head	77 to * - DE3
18	45630-70	BUSHING, fork tube (4)	77 to * - DE3
19	45632-70	SPACER, fork stem	77 to * - DE3
20	45652-74	BRACKET, fork	77 to * - DE3
21	46047-70	LINER, fork spring (2)	77 to * - DE3
22	46049-63A	SPRING (2)	77 to * - DE3
23	46201-52	FORK PLUG (2)	77 to 79 - DE3
24	50972-75	LUBE FITTING	80 to * - DE3
25	57204-74	SPACER (2)	77 to * - DE3
26	83975-37A	WASHER, 5/8 x 1-1/2 x 1/16	77 to * - DE3

STEERING WHEEL AND STEERING GEAR

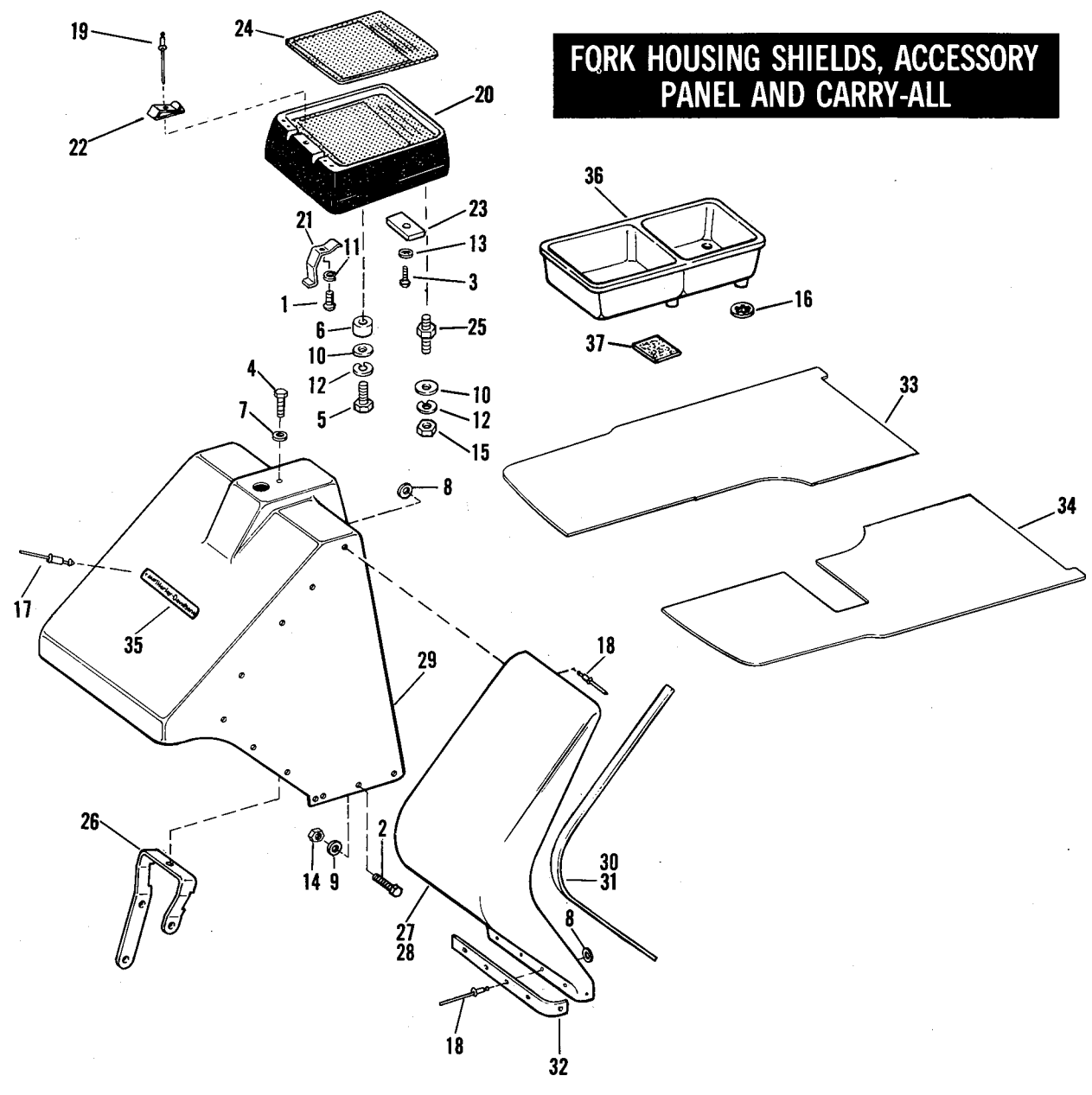


STEERING WHEEL AND STEERING GEAR

INDEX NO.	PART NO.	N A M E	USED ON
1	559	COTTER PIN, 1/8 x 1-1/4 (2)	77 to * — DE3
2	3854	BOLT, 7/16-14 x 1 hex. hd. (3)	77 to * — DE3
3	4014W	BOLT, 5/16-24 x 1-1/4 hex. hd. (2)	77 to * — DE3
4	4319	BOLT, 3/8-24 x 1 hex. hd. (6)	77 to * — DE3
5	6418B	WASHER, 3/8 x 1-1/8 x 11/64 (3)	77 to * — DE3
6	7039	LOCKWASHER, 7/16 (3)	77 to * — DE3
7	7607B	CASTLE NUT, 1/2-20 x 7/16 x 3/4 hex. (2)	77 to * — DE3
8	7753	NUT, 5/16-24 x 1/4 x 1/2 hex. (2)	77 to * — DE3
9	7800W	NUT, 3/8-24 x 5/16 x 9/16 hex. (3)	77 to * — DE3
10	7845	NUT, 1/4-20 x 7/16 x 3/4 hex.	77 to * — DE3
11	7995	NUT, 5/8-18 x 3/8 x 15/16 (2)	77 to * — DE3
12	57063—67	TIE ROD, steering arm	77 to * — DE3
13	57064—69	STEERING GEAR ASSEMBLY	77 to * — DE3
14	57065—67	ARM, steering gear	77 to * — DE3
15	57066—68	LOCKNUT, steering gear end cap	77 to * — DE3
16	57067—68	BUSHING, steering shaft (nylon)	77 to * — DE3
17	57068—67	BOOT, steering column (rubber)	77 to * — DE3
18	57070—68	SPACER, steering column dirt guard	77 to * — DE3
19	57071—68	ADJUSTING SCREW, steering gear worm	77 to * — DE3
20	57072—67	FRONT BRACKET, steering gear	77 to * — DE3
21	57073—67	REAR BRACKET, steering gear	77 to * — DE3
22	57074—68	SEAL, end cap	77 to * — DE3
23	57075—67A	STEERING WHEEL	77 to * — DE3
24	57076—68	END CAP	77 to * — DE3
25	57077—67	DIRT GUARD, steering gear	77 to * — DE3
26	57078—67	COVER, steering wheel hub	77 to * — DE3
27	57081—67	SEAL, steering shaft	77 to * — DE3
28	57082—67	SET OF BEARINGS AND CUPS, worm shaft	77 to * — DE3
29	57084—67	GASKET, side cover	77 to * — DE3
30	57088—67	SIDE COVER	77 to * — DE3
31	57090—67	FILLER PLUG	77 to * — DE3

NOTE: Asterisk (*) indicates part is used for latest model year shown on cover.

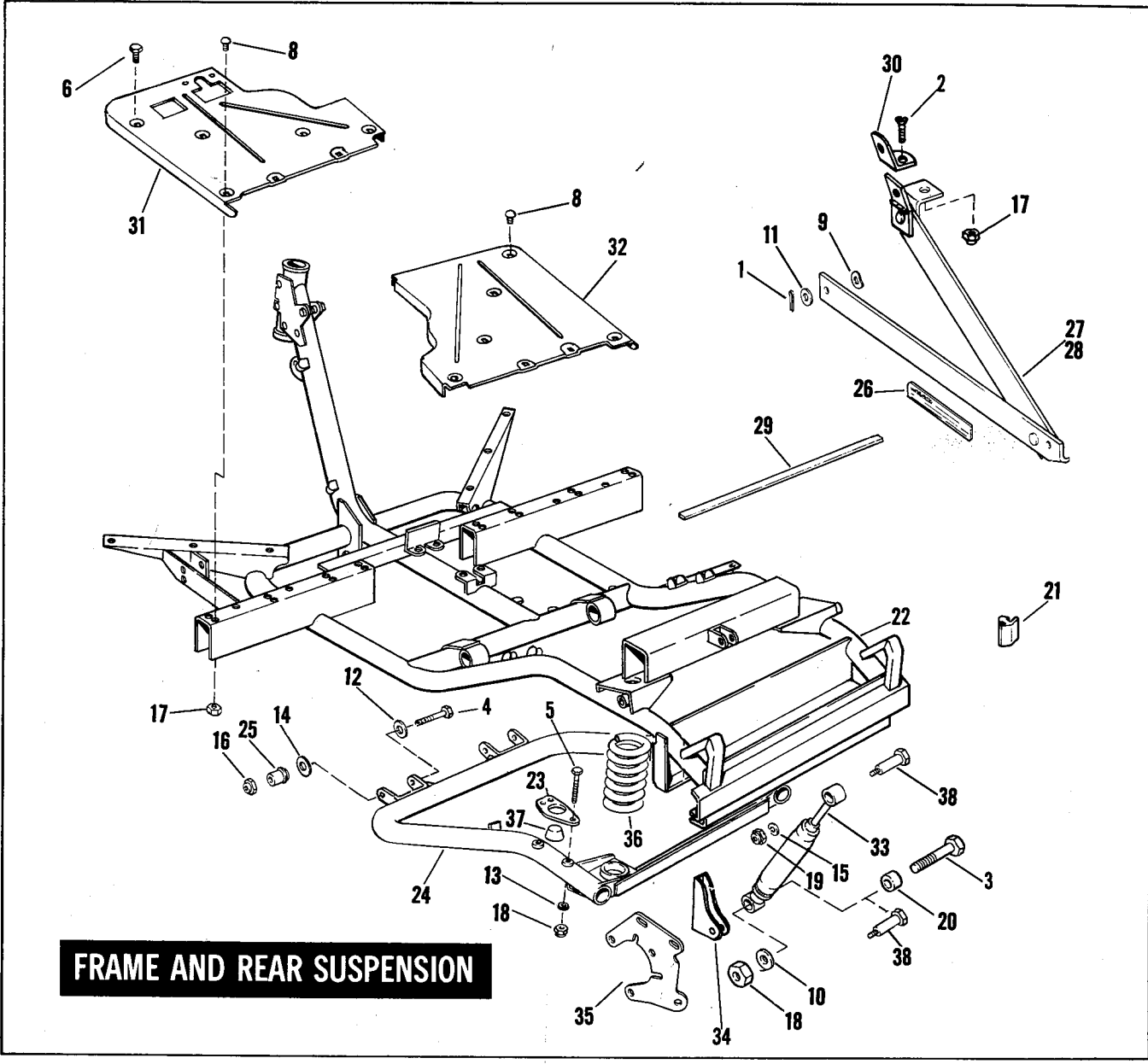
FORK HOUSING SHIELDS, ACCESSORY PANEL AND CARRY-ALL



FORK HOUSING, SHIELDS, ACCESSORY PANEL AND CARRY-ALL

INDEX NO.	PART NO.	N A M E	USED ON
1	2073W	SCREW, No. 4-24 x 1/4 self tapping pan hd.	77 to * — DE3
2	3491	BOLT, No. 8-32 x 5/8 hex. hd. (12)	77 to * — DE3
3	3794W	SCREW, 1/4-14 self tapping hex. hd. (tiller) (2)	77 to * — DE3
4	3960W	BOLT, 5/16-24 x 1 hex. hd.	77 to * — DE3
5	3987	BOLT, 5/16-18 x 3/4 hex. hd. (steering wheel)	77 to * — DE3
6	5919	SPACER, accessory panel (steering wheel)	77 to * — DE3
7	5927	WASHER, 11/32 x 1-1/2 x 3/32 (rubber) (1)	77 to * — DE3
8	6150W	WASHER, 3/16 x 3/8 x 1/16 (24)	77 to * — DE3
9	6192	WASHER, No. 8 x 7/16 x 3/64 (12)	77 to * — DE3
10	6702	WASHER, 5/16 x 11/16 x 1/16 (2) (steering wheel)	77 to * — DE3
11	6969	LOCKWASHER, No. 4	77 to * — DE3
12	7041	LOCKWASHER, 5/16 (2) (steering wheel)	77 to * — DE3
13	7124	LOCKWASHER, 1/4 internal tooth (2) (tiller)	77 to * — DE3
14	7609W	LOCKNUT, No. 8-32 x 3/16 x 3/8 hex. (12)	77 to * — DE3
15	7748W	NUT, 5/16-18 x 1/4 x 1/2 hex. (steering wheel)	77 to * — DE3
16	8112B	PUSH NUT, carry-all (4)	77 to * — DE3
17	8321	POP RIVET, nameplate (2)	77 to * — DE3
18	8685	POP RIVET (24)	77 to * — DE3
19	8692	POP RIVET (2)	80 to * — DE3
20	31400—67B	ACCESSORY PANEL (steering wheel)	77 to 79 — DE3
	31404—80	ACCESSORY PANEL (steering wheel)	80 to * — DE3
	31406—67	ACCESSORY PANEL (tiller)	77 to 79 — DE3
	31414—80	ACCESSORY PANEL (tiller)	80 to * — DE3
21	31407—67	PENCIL AND SCORE CARD CLIP	77 to * — DE3
22	31407—80	PENCIL AND SCORE CARD CLIP	80 to * — DE3
23	31415—67	MOUNTING PLATE (2) (tiller)	77 to * — DE3
24	31418—67A	PLASTIC COVER	77 to * — DE3
25	31419—67	STUD, accessory panel (steering wheel)	77 to * — DE3
26	45581—67A	BRACKET, steering head (steering wheel)	77 to * — DE3
27	50253—66B	SHIELD, left	77 to * — DE3
28	50255—66B	SHIELD, right	77 to * — DE3
29	50260—66B	FORK HOUSING	77 & 78 — DE3
	50260—79	FORK HOUSING	79 to * — DE3
30	50302—79	TRIM, front shield (200 ft. roll)	79 to * — DE3
31	50303—66A	TRIM STRIP, front shield (2)	77 to * — DE3
32	50304—66	REINFORCEMENT, shields (2)	77 to * — DE3
33	50528—67	FLOOR MAT, right shield & floorboard	77 to * — DE3
34	50529—67A	FLOOR MAT, left shield & floorboard	77 to * — DE3
35	61771—72	NAMEPLATE	77 to * — DE3
36	64001—72A	CARRY-ALL (between seats)	77 to * — DE3
37	64009—63	PAD, carry-all (2)	77 to * — DE3

NOTE: Asterisk (*) indicates part is used for latest model year shown on cover.

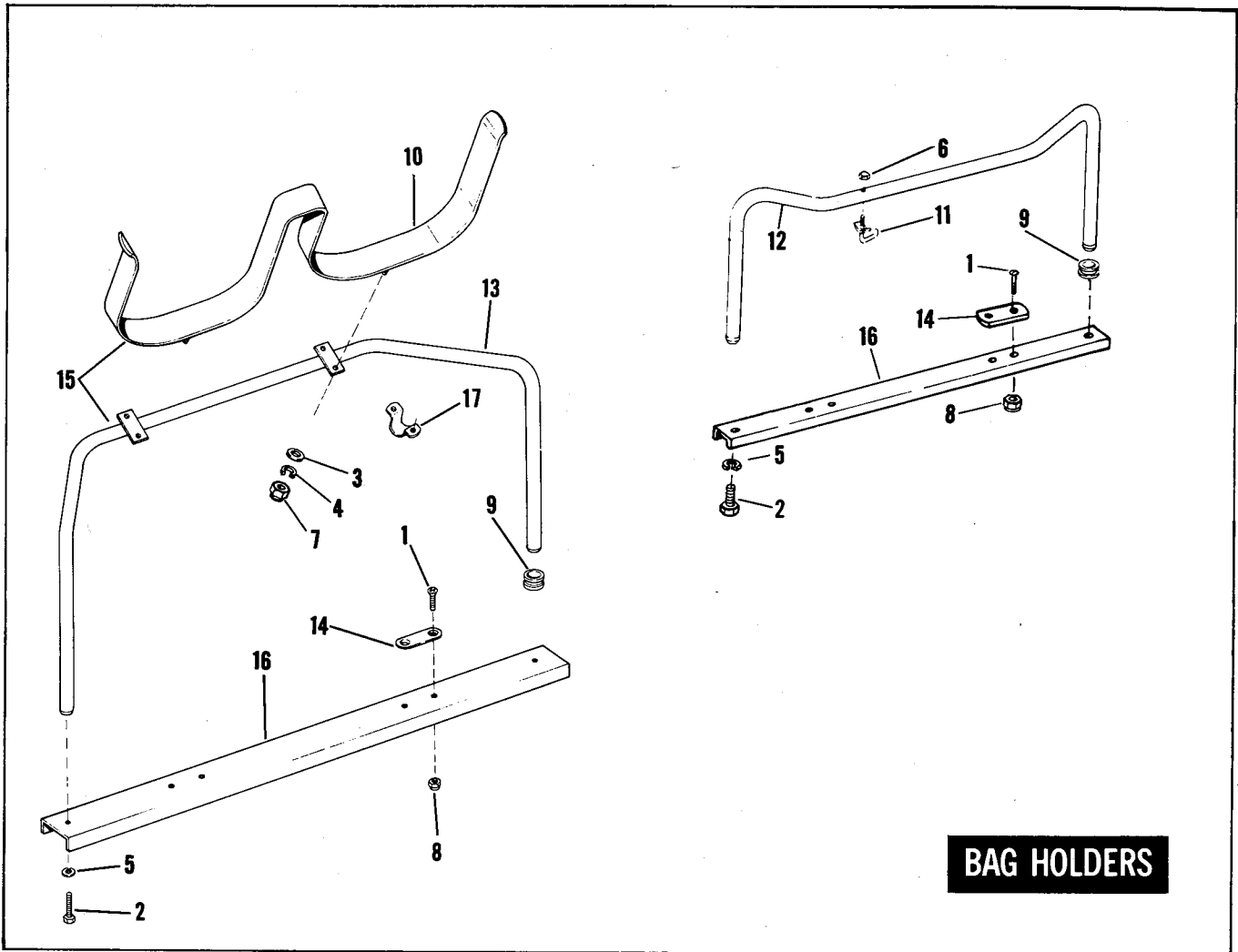


FRAME AND REAR SUSPENSION

FRAME AND REAR SUSPENSION

INDEX NO.	PART NO.	N A M E	USED ON
1	515	COTTER PIN, 1/16 x 3/4	77 to * — DE3
2	1357W	SCREW, 1/4-20 x 7/8 ctsk. oval Pozidriv hd. (4)	77 to * — DE3
3	3945	BOLT, 3/8-24 x 2-1/4 hex. hd.	77 — DE3
4	3950	BOLT, 1/2-20 x 4-1/4 hex. hd. (2)	77 to * — DE3
5	4333	BOLT, 3/8-24 x 5 hex. hd. (4)	77 — DE3
6	4376W	BOLT, 1/4-20 x 7/8 hex. hd. (2)	79 to * — DE3
7	4434W	BOLT, 3/8-24 x 3-1/4 (4)	79 to * — DE3
8	5405B	CARRIAGE BOLT, 1/4-20 x 3/4 (14)	77 to * — DE3
9	6403B	SPRING WASHER, 3/8 x 5/8 x 1/32 (2)	77 to * — DE3
10	6416	WASHER, 3/8 x 1 x 5/64	77 to * — DE3
11	6440B	WASHER, 13/32 x 5/8 x 1/32 (2)	77 to * — DE3
12	6568B	WASHER, 1/2 x 13/16 x 1/8 (2)	77 to * — DE3
13	6607W	WASHER, 3/8 x 29/32 x 5/32 (4)	77 — DE3
14	6684	WASHER, 7/8 x 2-1/8 x 1/32 (nylon) (2)	77 to * — DE3
15	7068	LOCKWASHER, 1/2 (2)	77 to * — DE3
16	7741	LOCKNUT, 1/2-20 x 1/2 x 3/4 hex. (2)	77 to * — DE3
17	7742	LOCKNUT, 1/4-20 x 7/32 x 7/16 hex. (18)	77 to * — DE3
18	7775	LOCKNUT, 3/8-24 x 7/16 x 9/16 hex. (5)	77 to * — DE3
19	7845	NUT, 1/2-20 x 7/16 x 3/4 hex. (2)	77 to * — DE3
20	24794—67	SPACER, lower shock mount	77 — DE3
21	44908—74	CUSHION, frame to body — rear (2)	77 to * — DE3
22	47098—75	FRAME	77 to * — DE3
23	47300—66A	BUMPER PLATE (2)	77 to * — DE3
24	47457—77	REAR FORK, complete	77 to * — DE3
25	47524—66	BUSHING, rear fork (2)	77 to * — DE3
26	50225—73	WARNING LABEL (2)	77 to * — DE3
27	50243—67	BODY SUPPORT, left	77 to * — DE3
28	50244—67	BODY SUPPORT, right	77 to * — DE3
29	50275—66	BODY CUSHION (2)	77 to * — DE3
30	50277—67	REINFORCEMENT, body support (2)	77 to * — DE3
31	50514—70	FLOOR PANEL, left	77 to * — DE3
32	50523—72	FLOOR PANEL, right	77 to * — DE3
33	54514—73	SHOCK ABSORBER	77 to * — DE3
34	54524—73	LOWER BRACKET, shock absorber	79 to * — DE3
35	54524—77	LOWER BRACKET, shock absorber	77 & 78 — DE3
36	54564—73	REAR SPRING (2)	77 to * — DE3
37	83004—72	RUBBER BUMPER, front (2)	77 to * — DE3
38	85213—42A	SHOULDER BOLT, shock absorber (2)	77 to * — DE3

NOTE: Asterisk (*) indicates part is used for latest model year shown on cover.



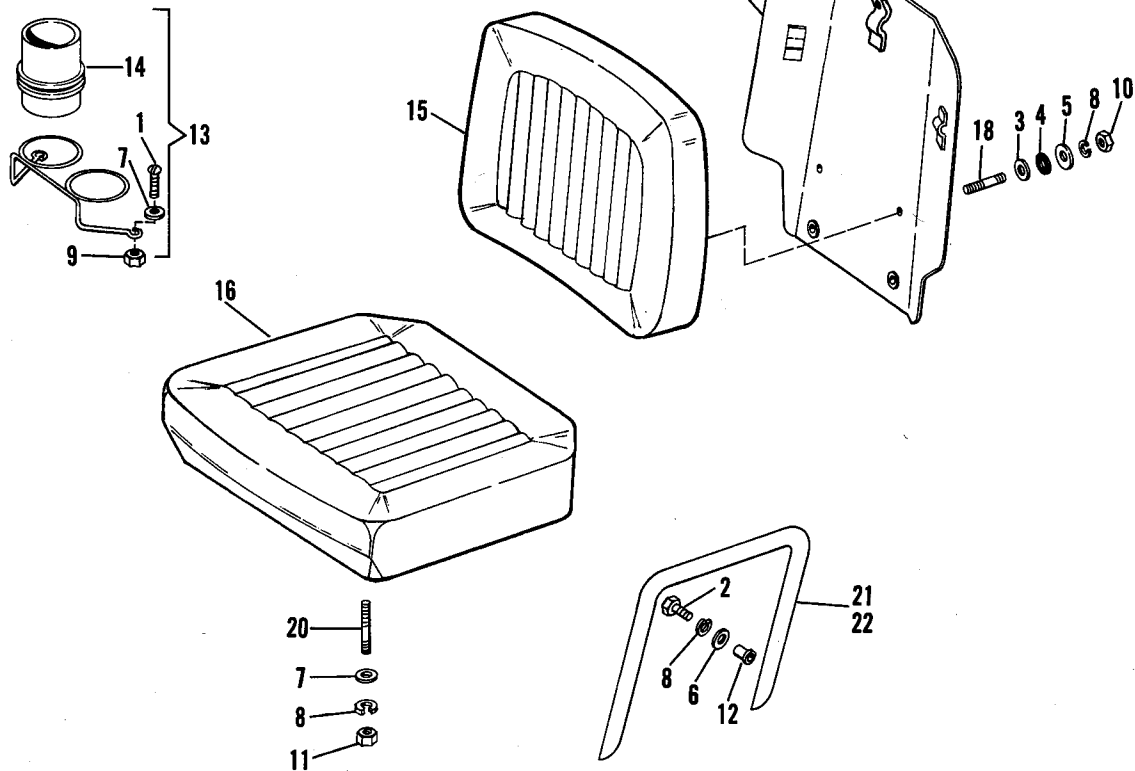
BAG HOLDERS

BAG HOLDERS

INDEX NO.	PART NO.	N A M E	USED ON
1	1357W	SCREW, 1/4-20 x 7/8 ctsk. oval Pozidriv hd. (4)	77 to * — DE3
2	3974HW	BOLT, 5/16-24 x 3/4 hex. hd. (2)	77 to * — DE3
3	6228W	WASHER, 1/4 x 1/2 x 1/16 steel (4)	79 to * — DE3
4	7036	LOCKWASHER, 1/4 (4)	77 to * — DE3
5	7041	LOCKWASHER, 5/16 (2)	77 to * — DE3
6	7736	ACORN NUT, 5/16-24 x 19/32 x 9/16 hex. (2)	77 to * — DE3
7	7737W	ACORN NUT, 1/4-20 x 15/32 x 7/16 hex. (4)	77 to * — DE3
8	7742	LOCKNUT, 1/4-20 x 7/32 x 7/16 hex. (4)	77 to * — DE3
9	11417	GROMMET, bag rack (2)	77 & 78 — DE3
10	11422	GROMMET, bag rack (2)	79 to * — DE3
11	53470-71	CARRIER, bag holder	77 to * — DE3
12	53487-65	HOOK, bag holder (2)	77 to * — DE3
13	53488-67	BAG HOLDER (less hooks)	77 to * — DE3
14	53488-71	BAG HOLDER ASSEMBLY (cradle type)	77 to * — DE3
15	53491-65	REINFORCEMENT (2)	77 to * — DE3
16	53493-71	BAG HOLDER, complete (cradle type)	77 to * — DE3
17	53496-67	BRACKET, bag holder	77 to * — DE3
18	53498-71	SUPPORT BRACKET, bag holder (2)	77 to * — DE3

NOTE: Asterisk (*) indicates part is used for latest model year shown on cover.

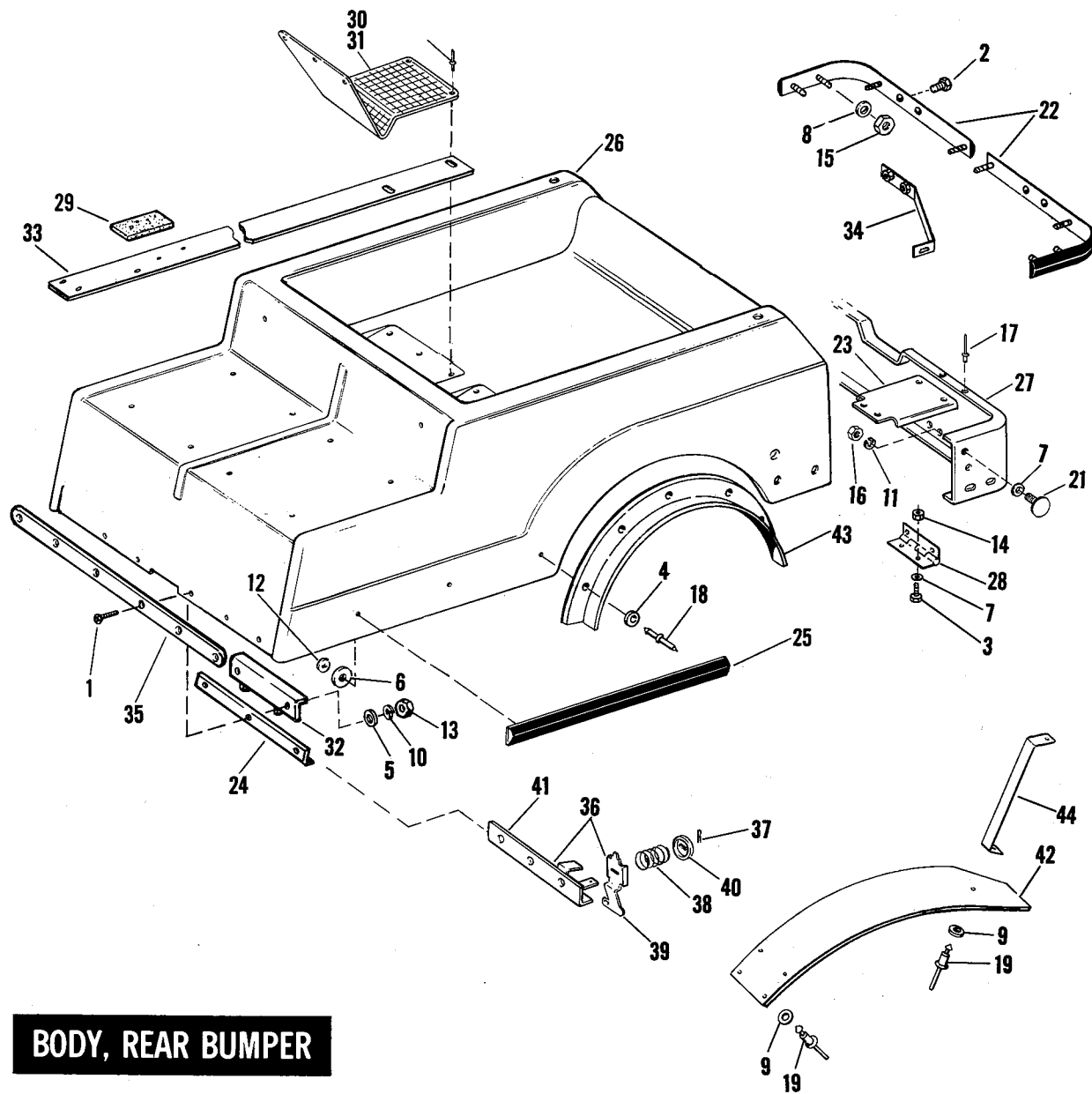
SEAT, HANDRAIL AND BEVERAGE HOLDER



SEAT, HANDRAIL AND BEVERAGE HOLDER

INDEX NO.	PART NO.	N A M E	USED ON
1	2741	SCREW, 5/16-24 x 1-3/16 rd. hd. (2)	77 to * — DE3
2	4017	BOLT, 5/16-18 x 1 hex. hd. (6)	77 to * — DE3
3	6107B	WASHER, 5/16 x 11/16 x 1/8 (8)	77 & 78 — DE3
4	6266	WASHER, 5/16 x 7/8 x 1/8 (rubber) (8)	77 to * — DE3
5	6332B	WASHER, 5/16 x 15/16 x 1/16 (8)	77 to * — DE3
6	6341B	WASHER, 15/16 x 1-1/8 x 1/16 (6)	77 to * — DE3
7	6702	WASHER, 5/16 x 11/16 x 1/16 (6)	77 to * — DE3
8	7041	LOCKWASHER, 5/16 (22)	77 to * — DE3
9	7725	LOCKNUT, 5/16-24 x 11/32 x 1/2 hex. (2)	77 to * — DE3
10	7748W	NUT, 5/16-18 x 1/4 x 1/2 hex. (8)	77 to * — DE3
11	7753	NUT, 5/16-24 x 1/4 x 1/2 hex. (8)	77 to * — DE3
12	8206W	RIVNUT, handrail (6)	77 to * — DE3
13	31405—70	BEVERAGE HOLDER KIT	77 to * — DE3
14	31411—65	CUP, beverage holder (2)	77 to * — DE3
15	52049—75A	SEAT BACK PAD	77 to * — DE3
16	52051—75A	SEAT CUSHION	77 to * — DE3
	52054—65A	CANVAS SEAT COVER (covers both seats)	77 to * — DE3
	52058—75	SEAT CUSHION, seat brake	77 to * — DE3
18	52082—72	STUD, seat back pad, 5/16-18 x 5/16-24 x 1-5/16 (4)	77 to * — DE3
19	52088—72	SEAT FRAME	77 to * — DE3
20	52107—72	STUD, seat bottom cush. 5/16-18 x 5/16-24 x 2-3/8 (8)	77 to * — DE3
	52134—72A	COVER, seat bottom cushion	77 to * — DE3
	52135—72A	COVER, seat back pad	77 to * — DE3
21	52630—72	HANDRAIL, right	77 to * — DE3
22	52631—72	HANDRAIL, left	77 to * — DE3

NOTE: Asterisk (*) indicates part is used for latest model year shown on cover.

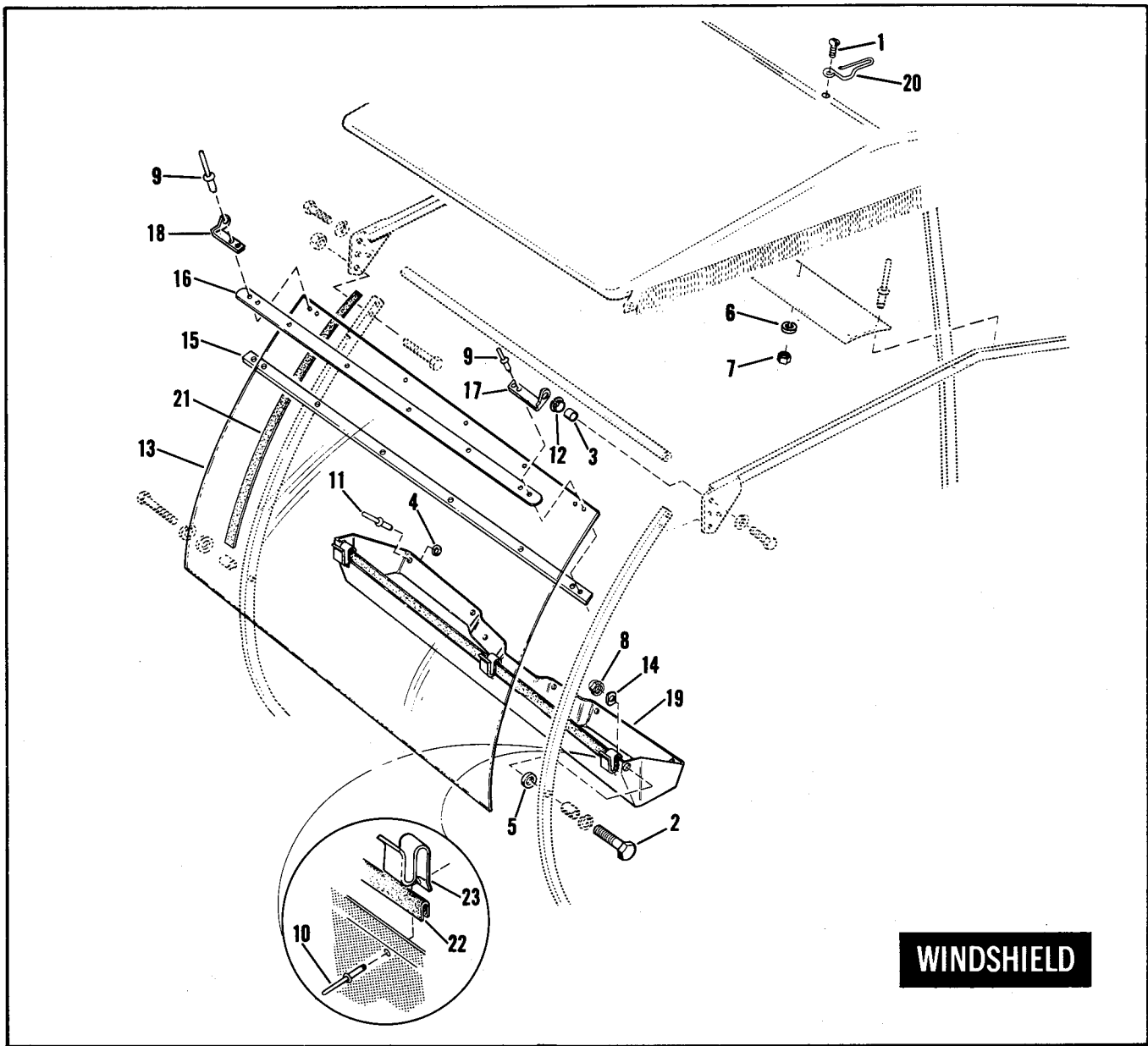


BODY, REAR BUMPER

BODY AND REAR BUMPER

INDEX NO.	PART NO.	NAME	USED ON
1	2648	SCREW, 1/4-20 x 1 Pozidriv truss hd. (6)	77 to * — DE3
2	2784	SCREW, 5/16-18 x 7/8 truss hd. (4)	80 to * — DE3
3	4391	BOLT, 5/16-24 x 5/8 hex. hd. (4)	77 to * — DE3
4	6182W	WASHER, 3/16 x 7/16 x 1/32 (12)	77 to * — DE3
5	6242W	WASHER, 1/4 x 9/16 x 1/32 (6)	77 to * — DE3
6	6257W	WASHER, 1/4 x 1-3/8 x 1/16 (8)	77 to * — DE3
7	6266	WASHER, 5/16 x 7/8 x 1/8 (rubber) (3)	77 to * — DE3
8	6702	WASHER, 5/16 x 11/16 x 1/16 (8)	77 to * — DE3
9	6716	WASHER, No. 10 x 1/2 x 3/64 (12)	77 to * — DE3
10	7036	LOCKWASHER, 1/4 (6)	77 to * — DE3
11	7041	LOCKWASHER, 5/16 (2)	77 to * — DE3
12	7686	LOCKNUT, 1/4-20 x 5/16 x 7/16 hex. (8)	77 to * — DE3
13	7688	NUT, 1/4-20 x 7/32 x 7/16 hex. (6)	77 to * — DE3
14	7727	LOCKNUT, 5/16-24 x 1/4 x 1/2 hex. (4)	77 to * — DE3
15	7740	LOCKNUT, 5/16-18 x 1/4 x 1/2 hex. (12)	77 to * — DE3
16	7748W	NUT, 5/16-18 x 1/4 x 1/2 hex. (2)	77 to * — DE3
17	8528W	POP RIVET, 3/16 x 3/8 x 3/8 dia. hd. (4)	77 to * — DE3
18	8641B	POP RIVET, 3/16 x 5/8 x 3/8 dia. hd. (black alum.) (12)	77 to * — DE3
19	8689	POP RIVET, 3/16 x 3/8 x 3/8 dia. hd. (12)	77 to * — DE3
20	8692	POP RIVET, 5/32 x 3/8 x 5/16 dia. hd. (10)	77 to * — DE3
21	44912—63A	CARRIABE BOLT, 5/16-18 x 1-1/18 (2)	77 to * — DE3
22	44913—74A	BUMPER (2)	77 to * — DE3
23	44918—74	BRACKET, rear bumper (2)	77 to * — DE3
24	50241—67	BODY SUPPORT, front	77 to * — DE3
25	50252—74	BODY TRIM (2)	77 to * — DE3
26	50263—74	BODY ASSEMBLY	77 to * — DE3
27	50270—74	BODY REINFORCEMENT, rear	77 to * — DE3
28	50271—65	BODY HINGE (2)	77 to * — DE3
29	50275—67	PAD, reinforcement strap (2)	77 to * — DE3
30	50278—67A	MAT, bag well — right	77 to * — DE3
31	50279—67A	MAT, bag well — left	77 to * — DE3
	50280—63A	GOLF CAR CANVAS COVER (for cars w/tiller)	77 to * — DE3
	50281—67	GOLF CAR CANVAS COVER (for cars w/steering wheel)	77 to * — DE3
32	50340—67	REINFORCEMENT BRACKET	77 to * — DE3
33	50346—67A	REINFORCEMENT STRAP, body (2)	77 & 78 — DE3
	50346—79	REINFORCEMENT STRAP, body (2)	79 to * — DE3
34	50347—69	BRACKET, body reinforcement (2)	77 to 79 — DE3
	50347—80	BRACKET, body reinforcement (2)	80 to * — DE3
35	50349—71	REINFORCEMENT STRIP, body front	77 to * — DE3
36	52057—72	BODY LATCH ASSEMBLY	77 to * — DE3
		Consists of:	
37	559	COTTER PIN, body latch spring collar, 1/8 x 1-1/4	
38	41049—70	SPRING, body latch	
39	52042—72	LEVER, body latch	
40	52052—72	COLLAR, body latch spring	
41	52059—72	SUPPORT, body latch	
42	59598—69	SPLASH GUARD (2)	77 to * — DE3
43	59607—64A	REAR SPLASH GUARD KIT	77 to * — DE3
44	59794—69	BRACKET, splash guard (2)	77 to * — DE3

NOTE: Asterisk (*) indicates part is used for latest model year shown on cover.

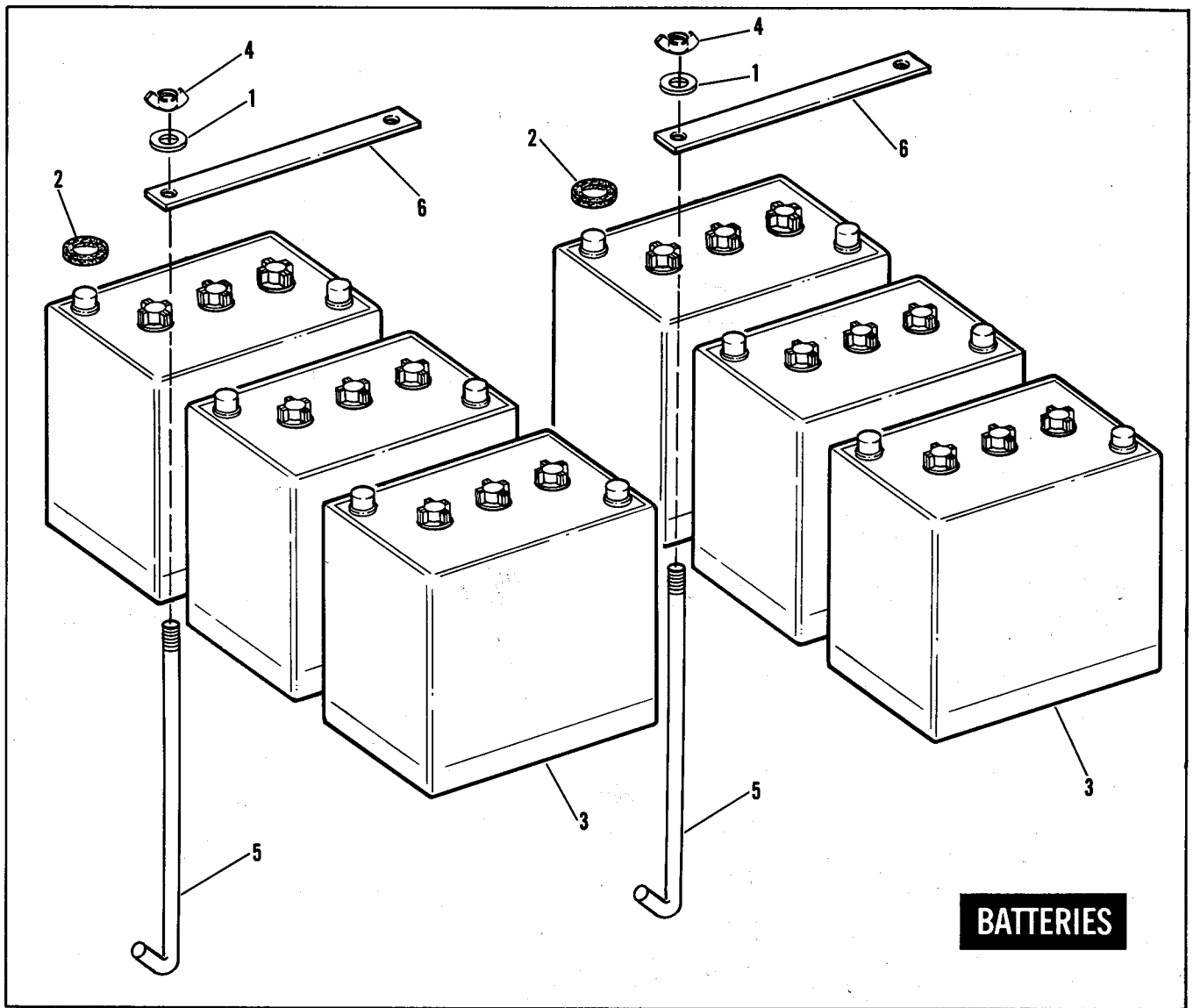


WINDSHIELD

WINDSHIELD

INDEX NO.	PART NO.	NAME	USED ON
1	2612	SCREW, No. 8-32 x 1/2 Pozidriv pan hd. (2)	77 to * — DE3
2	4036	BOLT, 5/16-24 x 1-1/2 hex. hd. (2)	77 to * — DE3
3	5965B	SPACER, pivot bushing (2)	77 to * — DE3
4	6150W	WASHER, 3/16 x 3/8 x 1/16 (6)	77 to * — DE3
5	6266	WASHER, 5/16 x 7/8 x 1/8 (rubber) (2)	77 to * — DE3
6	7015	LOCKWASHER, No. 8 (2)	77 to * — DE3
7	7608	NUT, No. 8-32 x 1/8 x 11/32 hex. (2)	77 to * — DE3
8	7725	LOCKNUT, 5/16-24 x 11/32 x 1/2 hex. (2)	77 to * — DE3
9	8212	POP RIVET (8)	77 to * — DE3
10	8528W	POP RIVET, 3/16 x 3/8 x 3/8 dia. hd. (3)	77 to * — DE3
11	8685	POP RIVET, 3/16 x 1/2 x 3/8 dia. hd. (aluminum) (6)	77 to * — DE3
12	40522-63	PIVOT BUSHING, windshield (2)	77 to * — DE3
	58011-74	WINDSHIELD ASSEMBLY	77 to * — DE3
13	58012-74	WINDSHIELD, only	77 to * — DE3
14	58032-74	REINFORCEMENT, garment box — front (2)	77 to * — DE3
15	58034-74	REINFORCEMENT	77 to * — DE3
16	58054-74	STRIP, front	77 to * — DE3
17	58059-74	BRACKET, upper left	77 to * — DE3
18	58060-74	BRACKET, upper right	77 to * — DE3
19	58103-74	GARMENT BOX ASSEMBLY	77 to * — DE3
20	58105-74	CLIP, windshield storage (2)	77 to * — DE3
21	58108-74	TAPE, windshield (2)	77 to * — DE3
22	58174-74	TRIM STRIP, garment box	77 to * — DE3
23	58175-74	CLIP, garment box (3)	77 to * — DE3

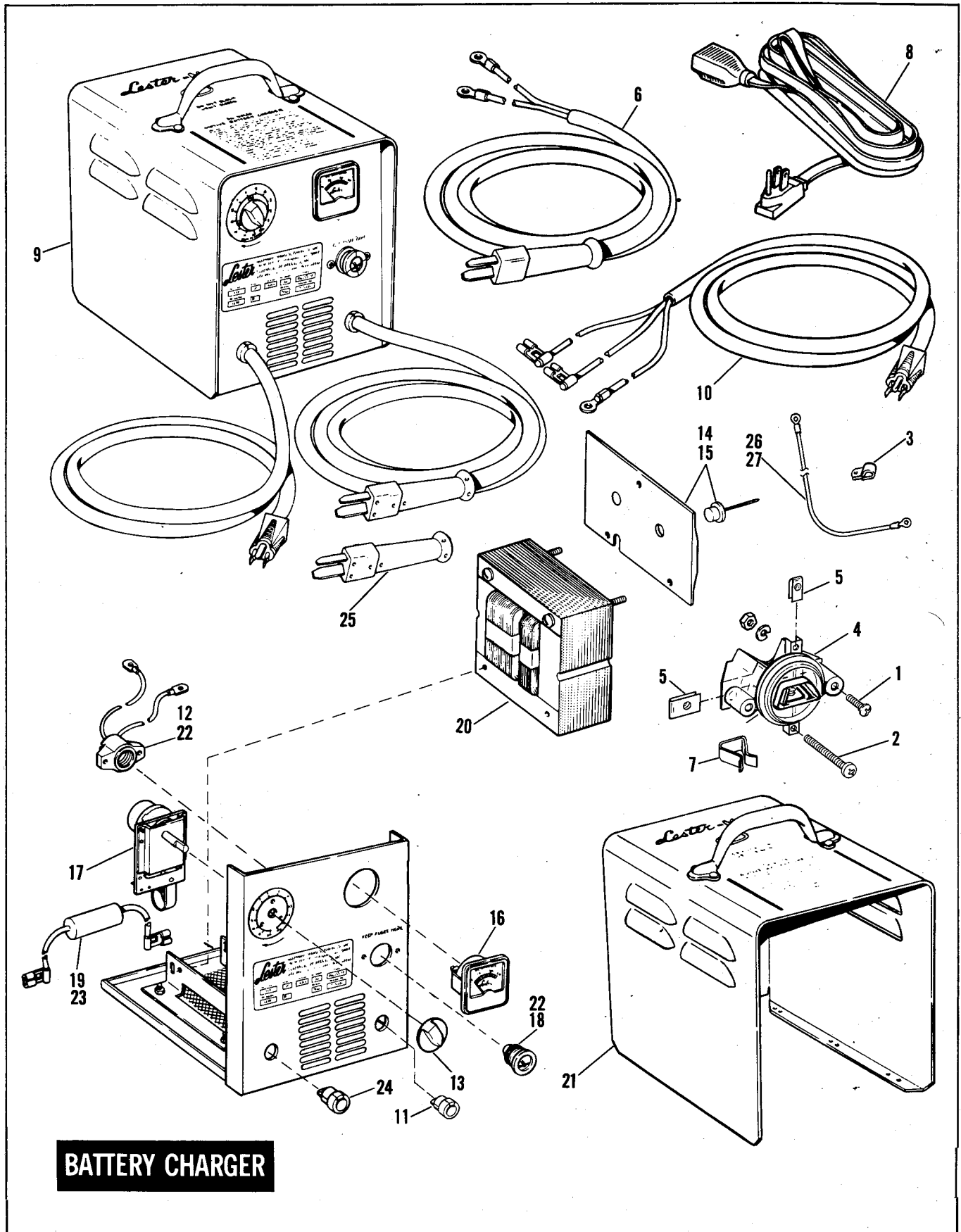
NOTE: Asterisk (*) indicates part is used for latest model year shown on cover.



BATTERIES

INDEX NO.	PART NO.	N A M E	USED ON
1	6703	WASHER, 1/4 x 5/8 x 1/16 (8)	77 to * — DE3
2	43733—47	FELT WASHER (12)	77 to 79 — DE3
	43731—69	FIBER WASHER (12)	80 to * — DE3
3	66007—63	BATTERY, dry (6)	77 to * — DE3
4	66387—64	WING NUT, hold-down rods (8)	77 to * — DE3
5	66453—66	HOLD-DOWN ROD (8)	77 to * — DE3
6	66462—66A	HOLD-DOWN BAR (4)	77 to * — DE3

NOTE: Asterisk (*) indicates part is used for latest model year shown on cover.

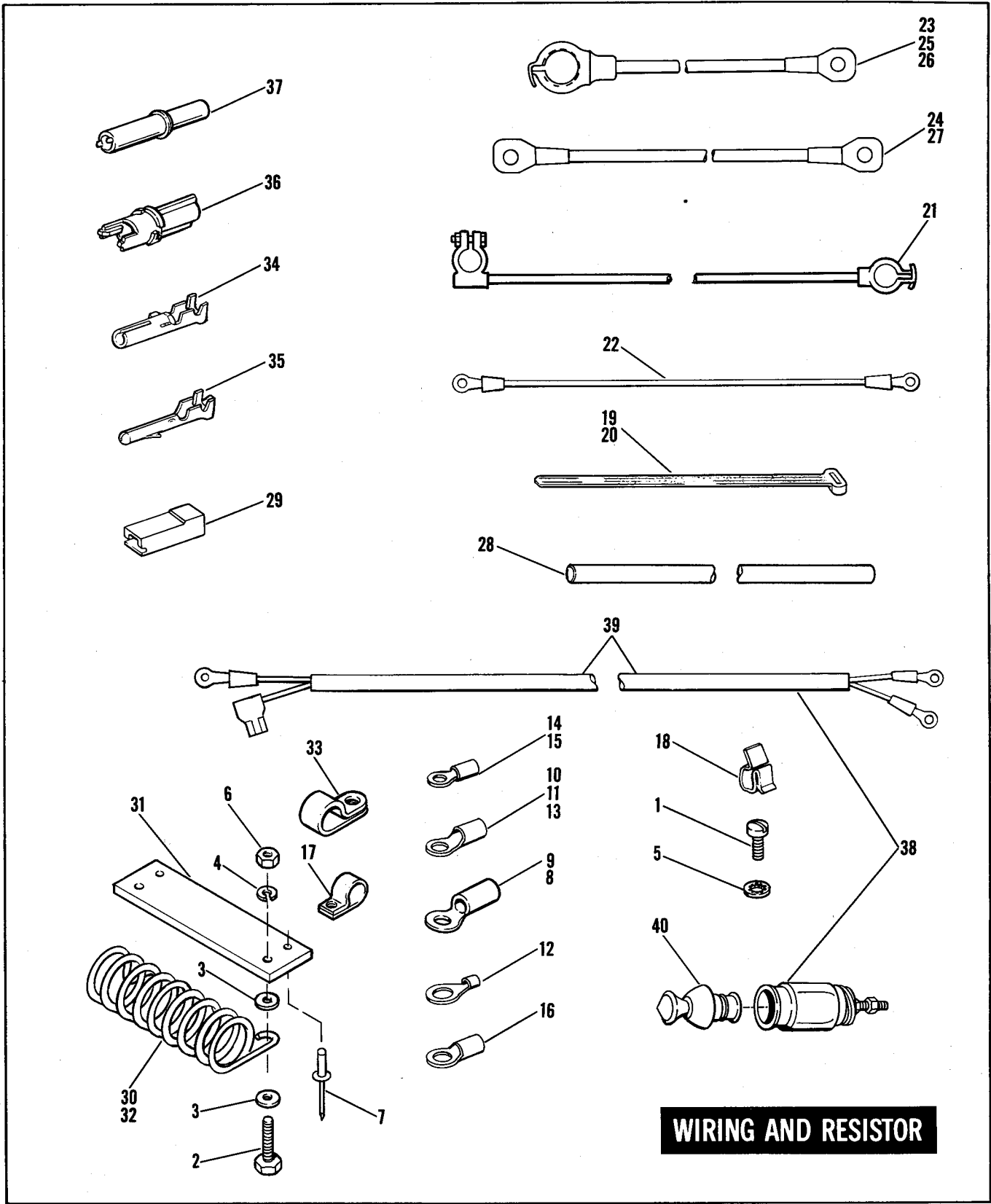


BATTERY CHARGER

BATTERY CHARGER

INDEX NO.	PART NO.	N A M E	USED ON
1	2811	SCREW, No. 8-32 x 3/8 Pozidriv truss hd. (2)	77 to * — DE3
2	2813	SCREW, No. 8-32 x 1-1/2 Pozidriv truss hd. (2)	77 to * — DE3
3	38712-68	CLAMP, diode to receptacle cable	77 to * — DE3
4	66036-72	CHARGER PLUG RECEPTACLE (for D.C. cable)	77 to * — DE3
5	66043-72	SPEED NUT, charger plug receptacle (4)	77 to * — DE3
6	66063-69B	D.C. CABLE AND PLUG (two prong)	77 to * — DE3
7	66070-72	SPRING CLIP, charger plug receptacle	77 to * — DE3
8	66493-67	A.C. EXTENSION CORD (three prong)	77 to * — DE3
9	66500-75	BATTERY CHARGER, portable 36 V. (Lester-matic)	77 to * — DE3
	66500-69	BATTERY CHARGER (Canada)	80 to * — DE3
10	66501-76	A.C. CABLE AND PLUG (three prong)	77 to * — DE3
	66501-69	A.C. CABLE AND PLUG (Canada)	80 to * — DE3
11	66502-69	BUSHING, D.C. cable	77 to * — DE3
12	66503-69	FUSE RECEPTACLE	80 to * — DE3
13	66504-69	TIMER KNOB	77 to * — DE3
14	66505-76	HEAT SINK WITH DIODE	77 to * — DE3
15	66505-69	HEAT SINK WITH DIODE (Canada)	80 to * — DE3
16	66506-69	AMMETER	77 to * — DE3
17	66507-69	TIMER	77 to * — DE3
18	66508-69	FUSE (Canada)	80 to * — DE3
19	66509-69	CAPACITOR (Canada)	80 to * — DE3
20	66512-76	TRANSFORMER	77 to * — DE3
	66512-69	TRANSFORMER (Canada)	80 to * — DE3
21	66513-76	CASE, battery charger	77 to * — DE3
	66513-69	CASE, battery charger (Canada)	80 to * — DE3
22	66515-76	FUSE ASSEMBLY	77 to * — DE3
23	66516-76	CAPACITOR, 6 mfd.	77 to * — DE3
24	66517-76	BUSHING, A.C. cable	77 to * — DE3
25	66518-76	PLUG, D.C. cable (replacement)	77 to * — DE3
26	70406-72	WIRE, right solenoid (B) to charger plug (red)	77 to * — DE3
27	70407-72	WIRE, left diode to charger plug (black)	77 to * — DE3

NOTE: Asterisk (*) indicates part is used for latest model year shown on cover.



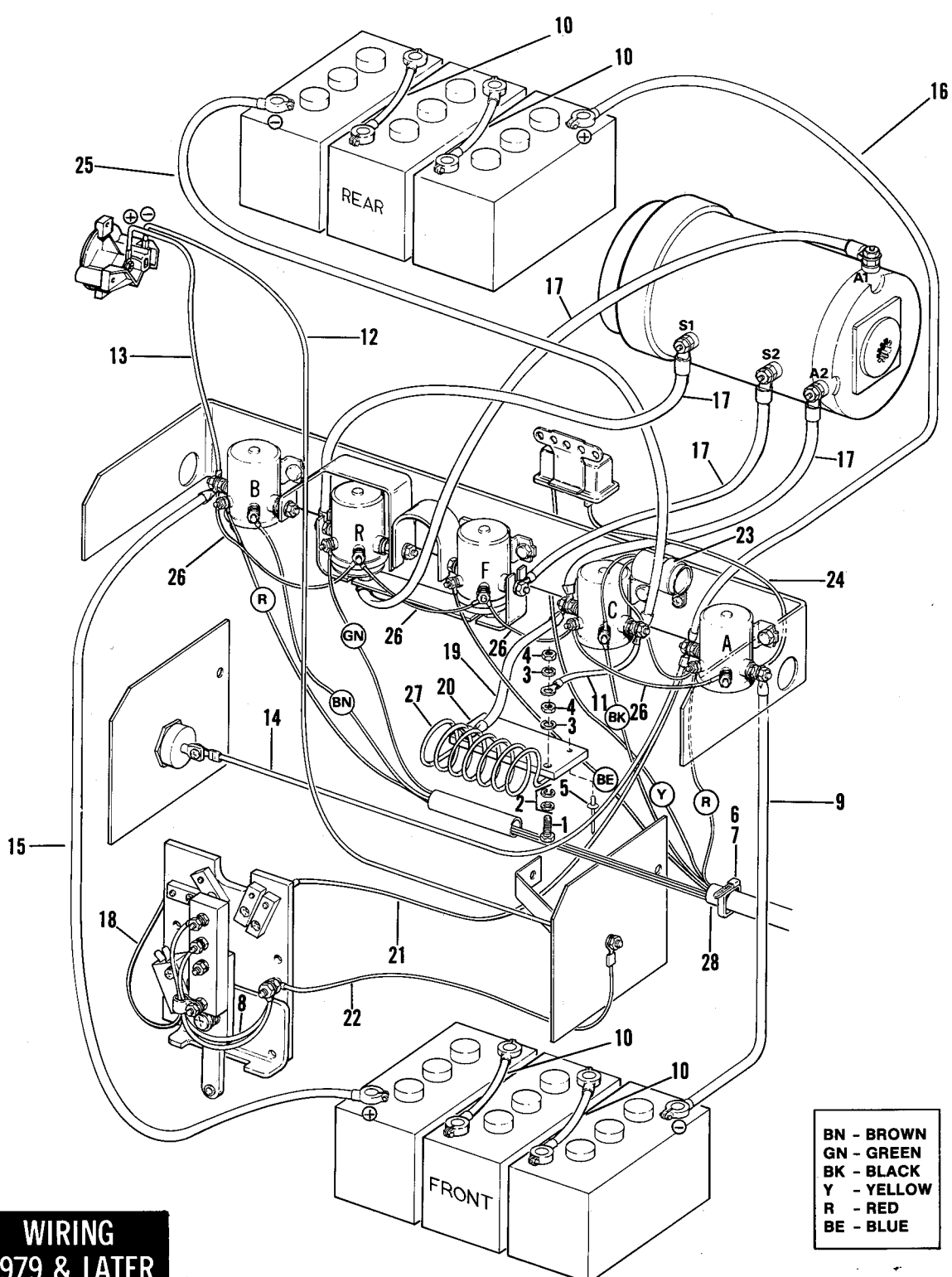
WIRING AND RESISTOR

WIRING AND RESISTOR

INDEX NO.	PART NO.	NAME	USED ON
1	1183	SCREW, No. 10-32 x 5/16 fil. hd.	77 to * — DE3
2	2871W	BOLT, 5/16-18 x 1-1/4 hex. hd. (2)	77 to * — DE3
3	6702	WASHER, 5/16 x 11/16 x 1/16 (4)	77 to * — DE3
4	7041	LOCKWASHER, 5/16 (4)	77 to * — DE3
5	7118	LOCKWASHER, No. 10 internal tooth	77 to * — DE3
6	7748W	NUT, 5/16-18 x 1/4 x 1/2 hex. (4)	77 to * — DE3
7	8480	POP RIVET, resistor mounting (2)	77 to * — DE3
8	9857	WIRE TERMINAL, ring type — No. 10 dia. hole — #16-22 wire	77 to * — DE3
9	9859	WIRE TERMINAL, ring type — 5/16 dia. #16-22 wire	79 to * — DE3
10	9862	WIRE TERMINAL, ring type — No. 10 dia. hole — #14-16 wire	77 to * — DE3
11	9863	WIRE TERMINAL, ring type — 1/4 dia. hole — #14-16 wire	77 to * — DE3
12	9866	WIRE TERMINAL, ring type — No. 10 dia. hole — #10-12 wire	77 to * — DE3
13	9868	WIRE TERMINAL, ring type — 5/16 dia. hole — #10-12 wire	77 to * — DE3
14	9902	WIRE TERMINAL, ring type — 3/16 dia. hole — #14-16 wire	77 to * — DE3
15	9911	WIRE TERMINAL, ring type — 3/16 dia. hole — #8 wire	77 to * — DE3
16	9923	WIRE TERMINAL, ring type — 5/16 dia. hole — #8 wire	77 to * — DE3
17	9963	CLAMP	77 to * — DE3
18	9981	CLIP	77 to * — DE3
19	10006	CABLE STRAP, resistor cables (black)	77 to * — DE3
20	10007	CABLE STRAP (white)	77 to * — DE3
21	70199—63B	CONNECTOR CABLE, battery (4)	77 to * — DE3
22	70451—72	WIRE, solenoid "A" to speed switch #1 terminal	77 & 78 — DE3
23	70457—72	CABLE, rear battery positive to right diode	77 & 78 — DE3
24	70458—72	WIRE, solenoid "A" to speed switch #5 terminal	77 & 78 — DE3
25	70464—67A	CABLE, solenoid "C" to front battery negative	77 & 78 — DE3
26	70464—72	CABLE, battery negative to left diode	77 & 78 — DE3
27	70465—67	WIRE, solenoid to mtr. term. (4)	77 to * — DE3
	70490—77	MAIN WIRING HARNESS	77 & 78 — DE3
28	70551—69	CONDUIT, 1/8 I.D. x 10 ft. lg. black vinyl (hi temp.)	77 to * — DE3
	70552—69	CONDUIT, 3/8 I.D. x 10 ft. lg. black vinyl	77 to * — DE3
	70553—69	CONDUIT, 7/16 I.D. x 10 ft. lg. black vinyl	77 to * — DE3
	70554—69	CONDUIT, 1/4 I.D. x 10 ft. lg. black vinyl	77 to * — DE3
	70555—69	CONDUIT, 1/4 I.D. x 10 ft. lg. black vinyl (hi-temp)	77 to * — DE3
	70556—71	CONDUIT, 5/16 I.D. x 10 ft. lg. black vinyl	77 to * — DE3
	70558—71	CONDUIT, 1/2 I.D. x 10 ft. lg. black vinyl	77 to * — DE3
	70559—71	CONDUIT, 1/8 I.D. x 10 ft. lg. black vinyl	77 to * — DE3
29	70589—69	INSULATOR, female spade terminal	77 to * — DE3
30	70596—72	RESISTOR	77 & 78 — DE3
31	70597—72	INSULATOR, resistor mounting	77 to * — DE3
32	70628—79	RESISTOR	79 to * — DE3
	70632—79	MAIN WIRING HARNESS	79 to * — DE3
33	71795—63A	CLAMP, battery cable	77 to * — DE3
34	72038—71	SOCKET TERMINAL, wire end	77 to * — DE3
35	72039—71	PIN TERMINAL, wire end	77 to * — DE3
36	72043—71	CONNECTOR, single pin	77 to * — DE3
37	72044—71	CONNECTOR, single socket	77 to * — DE3
38	91810—63A	CIGARETTE LIGHTER KIT	77 to * — DE3
39	91813—63	WIRING HARNESS, cigarette lighter	77 to * — DE3
40	91818—68	CIGARETTE LIGHTER, ELEMENT & KNOB, only	77 to * — DE3

NOTE: Asterisk (*) indicates part is used for latest model year shown on cover.

**WIRING
1979 & LATER**



- BN - BROWN
- GN - GREEN
- BK - BLACK
- Y - YELLOW
- R - RED
- BE - BLUE

WIRING — 1979 & LATER

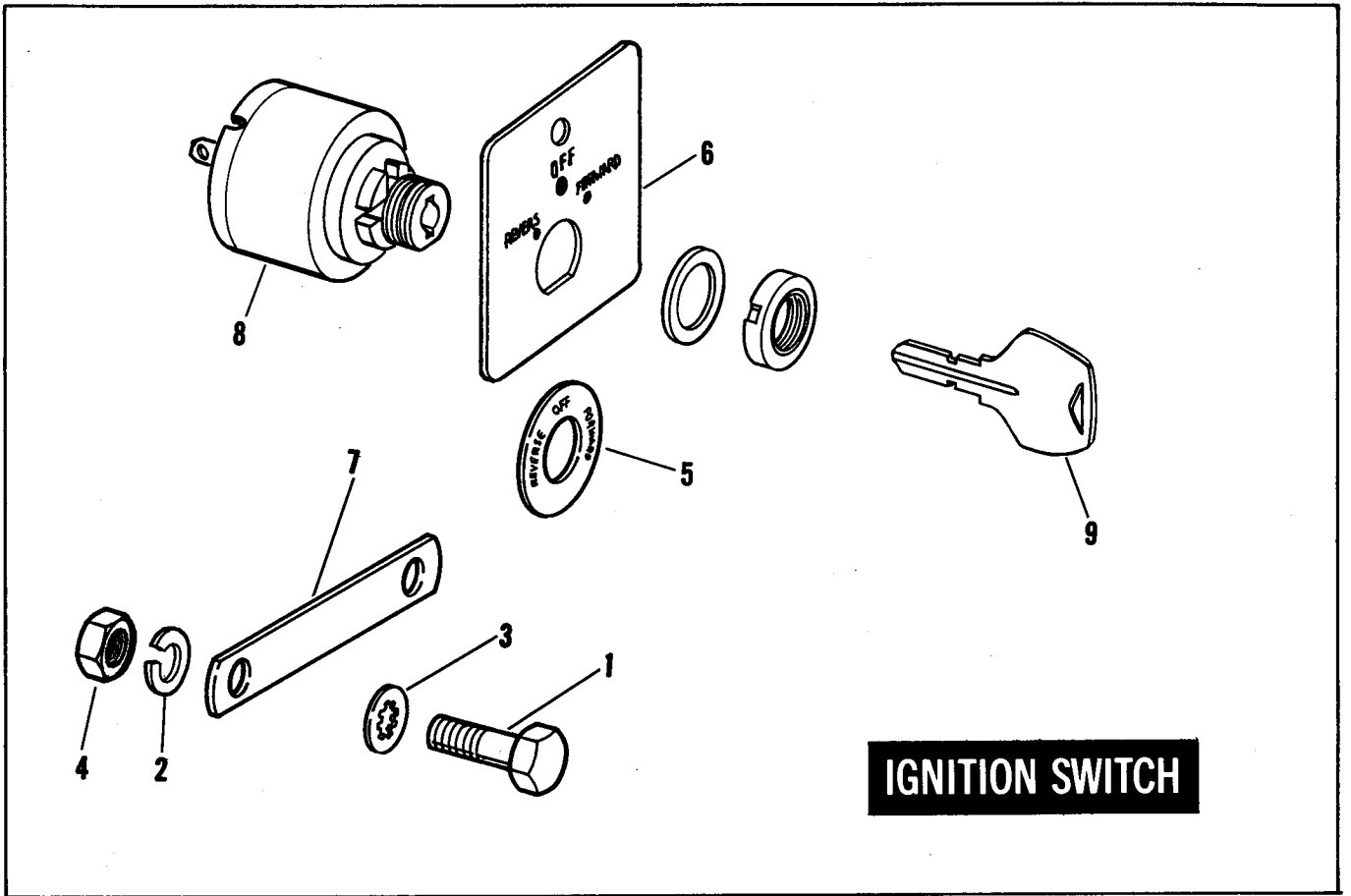
INDEX NO.	PART NO.	N A M E	USED ON
1	2871W	BOLT, 5/16-18 x 1-1/4 hex. hd. (2)	79 to * — DE3
2	6702	WASHER, 5/16 x 11/16 x 1/16 (4)	79 to * — DE3
3	7041	LOCKWASHER, 5/16 (4)	79 to * — DE3
4	7748W	NUT, 5/16-18 x 1/4 x 1/2 hex. (4)	79 to * — DE3
5	8480	POP RIVET, 3/16 x 1/2 x 5/8 dia. hd. (2)	79 to * — DE3
6	10006	CABLE STRIP, black	79 to * — DE3
7	10007	CABLE STRAP, white	79 to * — DE3
8	70045—63	WIRE, speed switch contact arm to base plate (white) (2)	79 to * — DE3
9	70193—72	WIRE, solenoid "A" to front battery negative (black)	79 to * — DE3
10	70199—63B	CONNECTOR CABLE, battery (4)	79 to * — DE3
11	70351—72	WIRE, solenoid "C" to resistor (left side)	79 to * — DE3
12	70406—72	WIRE, left diode to charger plug negative	79 to * — DE3
13	70407—72	WIRE, solenoid "B" to charger plug positive (red)	79 to * — DE3
14	70433—72	WIRE, solenoid "A" to right diode (black)	79 to * — DE3
15	70463—69	WIRE, solenoid "B" to front battery positive	79 to * — DE3
16	70463—71B	WIRE, solenoid "A" to rear battery positive	79 to * — DE3
17	70465—67	WIRE, solenoid to motor terminals A1, A2, S1, S2 (4)	79 to * — DE3
18	70472—67A	WIRE, micro switch to speed switch contact block (white)	79 to * — DE3
19	70478—72	WIRE, solenoid "C" to resistor (right side) (black)	79 to * — DE3
20	70597—72	INSULATOR, resistor mounting	79 to * — DE3
21	70621—79	WIRE, solenoid "A" to speed switch #1 terminal (black)	79 to * — DE3
22	70622—79	WIRE, left diode to speed switch #5 terminal (black)	79 to * — DE3
23	70623—79	TIME DELAY	79 to * — DE3
24	70624—79	WIRE, solenoid "A" to buzzer (orange)	79 to * — DE3
25	70626—79	CABLE, solenoid "C" to rear battery negative (black)	79 to * — DE3
26	70627—79	WIRE, solenoids "B," "R," "F," "C" and "A" (white)	79 to * — DE3
27	70628—79	RESISTOR	79 to * — DE3
28	70632—79	MAIN WIRING HARNESS	79 to * — DE3

NOTE: Asterisk (*) indicates part is used for latest model year shown on cover.

SPEED SWITCH

INDEX NO.	PART NO.	N A M E	USED ON
1	1784	SCREW, No. 10-24 x 3/4 Pozidriv flat ctsk. hd. (4)	77 to * — DE3
2	1785	SCREW, No. 6-32 x 1 Pozidriv flat ctsk. hd.	77 to * — DE3
3	2556	SCREW, No. 6-32 x 1 Pozidriv pan hd.	77 to * — DE3
4	2595	SCREW, No. 10-24 x 1 Pozidriv pan hd.	77 to * — DE3
5	2601	SCREW, No. 6-32 x 1-1/4 Pozidriv pan hd. (2)	77 to * — DE3
6	2602	SCREW, 1/4-20 x 1-1/4 Pozidriv pan hd.	77 to * — DE3
7	2659	SCREW, No. 10-24 x 7/8 Pozidriv pan hd. (3)	77 to * — DE3
8	2668	SCREW, No. 10-24 x 9/16 Pozidriv (4)	77 to * — DE3
9	2794	SCREW, 1/4-28 x 1-3/4 Pozidriv pan hd.	77 to * — DE3
10	3825	BOLT, 1/4-28 x 1 hex. hd.	77 to * — DE3
11	5966W	SPACER, speed control lever	77 to * — DE3
12	6075W	WASHER, 9/64 x 5/16 x 1/32 (4)	77 & 78 — DE3
13	6165W	WASHER, 3/16 x 3/8 x 1/16	77 & 78 — DE3
14	6253W	WASHER, 1/4 x 3/4 x 1/16	77 to * — DE3
15	6375B	WASHER, 3/8 x 9/16 x 1/32 (3)	77 to * — DE3
16	6703	WASHER, 1/4 x 5/8 x 1/16	77 to * — DE3
17	6716	WASHER, No. 10 x 1/2 x 3/64	79 to * — DE3
18	6717	WASHER, No. 6 x 3/8 x 3/64 (4)	79 to * — DE3
19	7010	LOCKWASHER, No. 6 (2)	77 to * — DE3
20	7036	LOCKWASHER, 1/4	77 to * — DE3
21	7069	LOCKWASHER, No. 10 (12)	77 to * — DE3
22	7115	LOCKWASHER, No. 8 internal tooth (2)	77 to * — DE3
23	7118	LOCKWASHER, No. 10 internal tooth (3)	77 to * — DE3
24	7124	LOCKWASHER, 1/4 internal tooth	77 to * — DE3
25	7590	NUT, No. 6-32 x 1/8 x 5/16 hex. (6)	77 to * — DE3
26	7620W	NUT, No. 10-24 x 1/8 x 3/8 hex. (8)	77 to * — DE3
27	7676	NUT, 1/4-28 x 7/32 x 7/16 hex.	77 to * — DE3
28	7683	LOCKNUT, 1/4-28 x 5/16 x 7/16 hex.	77 to * — DE3
29	7688	NUT, 1/4-20 x 7/32 x 7/16 hex. (2)	77 to * — DE3
30	17485-71	SPRING, speed switch	77 to * — DE3
31	40522-63	BUSHING, speed switch	77 to * — DE3
32	70045-63	WIRE, contact arm to solenoid terminal (2)	77 to * — DE3
33	70432-72	WIRE, micro switch to diode	77 to * — DE3
34	70472-67A	WIRE, micro switch to contact block	77 to * — DE3
35	71506-67	MICRO SWITCH	77 to * — DE3
36	71514-68A	RUBBER COVER, micro switch plunger	77 to * — DE3
37	71793-71	BEARING, speed control lever	77 to * — DE3
38	71795-63A	CLAMP, switch arm wire	77 to * — DE3
39	71820-63A	LEVER SUPPORT PLATE	77 to * — DE3
40	71822-67A	BASE PLATE, speed switch	77 to * — DE3
41	71850-63	CONTACT BLOCK (4)	77 to * — DE3
42	71851-63	SWITCH ARM CONTACT BLOCK	77 to * — DE3
43	71852-63	SWITCH LEVER BLOCK	77 to * — DE3
44	71853-63A	SPEED CONTROL LEVER, with bearings	77 to * — DE3
45	72030-47	CLIP, switch lever block	77 to * — DE3
46	74885-67	DIODE (2)	77 to * — DE3

NOTE: Asterisk (*) indicates part is used for latest model year shown on cover.



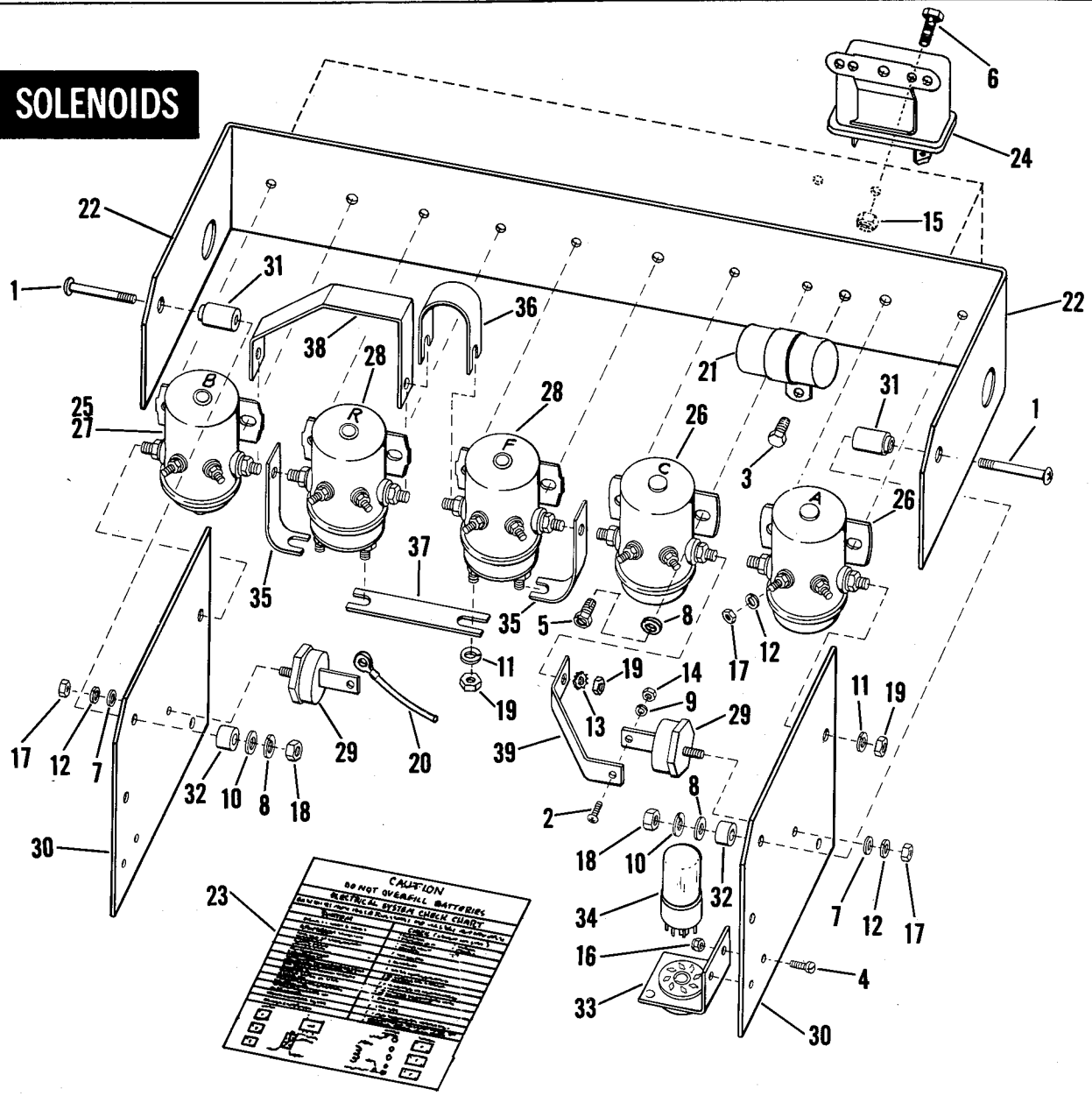
IGNITION SWITCH

IGNITION SWITCH

INDEX NO.	PART NO.	N A M E	USED ON
1	4319	BOLT, 3/8-24 x 1 hex. hd.....	77 to * — DE3
2	7038	LOCKWASHER, 3/8.....	79 to * — DE3
3	7130W	LOCKWASHER, 3/8 internal tooth.....	77 to * — DE3
4	7800W	NUT, 3/8-24 x 5/16 x 9/16 hex.....	79 to * — DE3
5	71023—65	PLATE, key switch.....	77 & 78 — DE3
6	71445—79	PLATE, key switch.....	79 to * — DE3
7	71491—66A	GROUND STRAP, key switch.....	77 to * — DE3
8	71762—75	IGNITION SWITCH.....	77 to * — DE3
9	71765—75	KEY, ignition switch.....	77 to * — DE3

NOTE: Asterisk (*) indicates part is used for latest model year shown on cover.

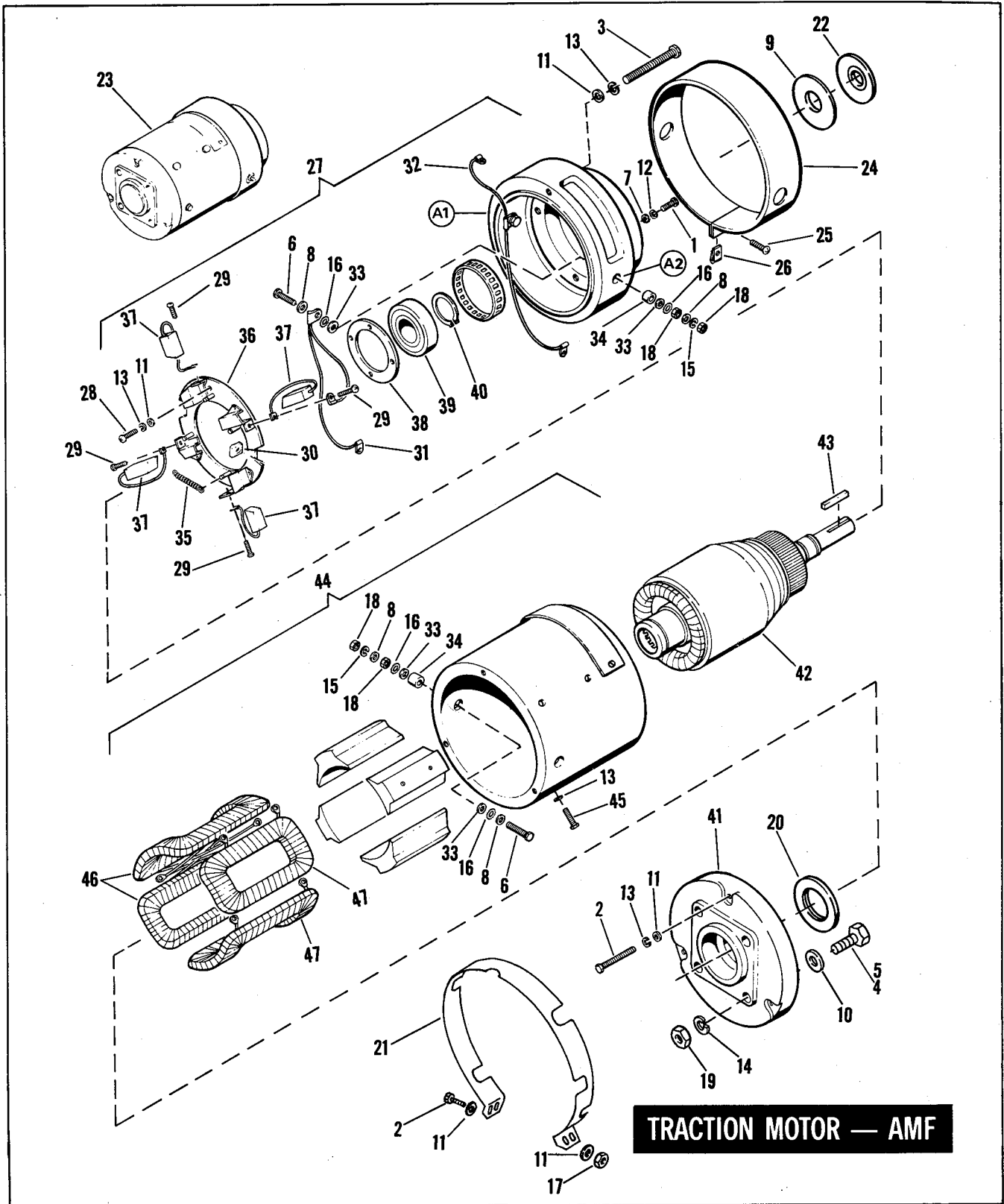
SOLENOIDS



SOLENOIDS

INDEX NO.	PART NO.	N A M E	USED ON
1	2599	SCREW, 1/4-20 x 1-3/4 Pozidriv pan hd. (2)	77 to * — DE3
2	2625	SCREW, No. 8-32 x 5/8 Pozidriv pan hd. (2)	77 to * — DE3
3	2685W	SCREW, No. 10-24 x 5/8 self tap.	79 to * — DE3
4	2808	SCREW, No. 8-32 x 3/8 Pozidriv pan hd.	77 & 78 — DE3
5	3204W	SCREW, 1/4-20 x 5/8 self tapping hex. (10)	77 to * — DE3
6	3728	BOLT, 1/4-20 x 1/2 hex. hd. (2)	79 to * — DE3
7	6182W	WASHER, 3/16 x 7/16 x 1/32 (2)	77 to * — DE3
8	6703	WASHER, 1/4 x 5/8 x 1/16 (9)	77 to * — DE3
9	7015	LOCKWASHER, No. 8 (2)	77 to * — DE3
10	7036	LOCKWASHER, 1/4 (2)	77 to * — DE3
11	7041	LOCKWASHER, 5/16 (14)	77 to * — DE3
12	7069	LOCKWASHER, No. 10 (12)	77 to * — DE3
13	7127	LOCKWASHER, 5/16 internal tooth	77 to * — DE3
14	7608	NUT, No. 8-32 x 1/8 x 11/32 hex. (2)	77 to * — DE3
15	7609W	LOCKNUT, No. 8-32 x 3/16 x 3/8 hex. (2)	77 to * — DE3
16	7638	NUT, No. 10-32 x 1/8 x 3/8 hex. (22)	77 to * — DE3
17	7686	LOCKNUT, 1/4-20 x 5/16 x 7/16 hex. (2)	79 to * — DE3
18	7688	NUT, 1/4-20 x 7/32 x 7/16 hex. (2)	77 to * — DE3
19	7753	NUT, 5/16-24 x 1/4 x 1/2 hex. (28)	77 to * — DE3
20	70433—72	WIRE, right diode to left solenoid	77 to * — DE3
21	70623—79	TIME DELAY	79 to * — DE3
22	71021—72	PLATE, solenoid mounting	77 & 78 — DE3
	71021—79	PLATE, solenoid mounting	79 to * — DE3
23	71030—74	TRANSFER (check chart)	77 & 78 — DE3
	71030—79	TRANSFER (check chart)	79 to * — DE3
24	71402—79	BUZZER	79 to * — DE3
25	71461—79	SOLENOID	79 to * — DE3
26	71470—63D	SOLENOID, 12 V. (four terminals) (2)	77 to * — DE3
27	71471—67A	SOLENOID, 6 V. (four terminals)	77 to * — DE3
28	71476—67A	SOLENOID, 6 V. (six terminals) (2)	77 & 78 — DE3
29	74857—67A	DIODE (2)	77 to * — DE3
30	74859—67A	HEAT SINK, diode (2)	77 to * — DE3
31	74861—67A	FIBER SPACER, heat sink mounting — long (2)	77 to * — DE3
32	74862—67A	FIBER SPACER, heat sink mounting — short (2)	77 to * — DE3
33	74873—72	SOCKET ASSEMBLY, time delay tube — w/3 wires	77 & 78 — DE3
34	74875—67	TUBE, time delay control	77 & 78 — DE3
35	74893—67	SOLENOID CONNECTOR BAR, right angle (2)	77 to * — DE3
36	74894—63A	SOLENOID CONNECTOR BAR, curved	77 to * — DE3
37	74895—63	SOLENOID CONNECTOR BAR, straight	77 to * — DE3
38	74898—72	SOLENOID CONNECTOR BAR	77 to * — DE3
39	74899—72	SOLENOID CONNECTOR BAR, solenoid to left diode	77 to * — DE3

NOTE: Asterisk (*) indicates part is used for latest model year shown on cover.



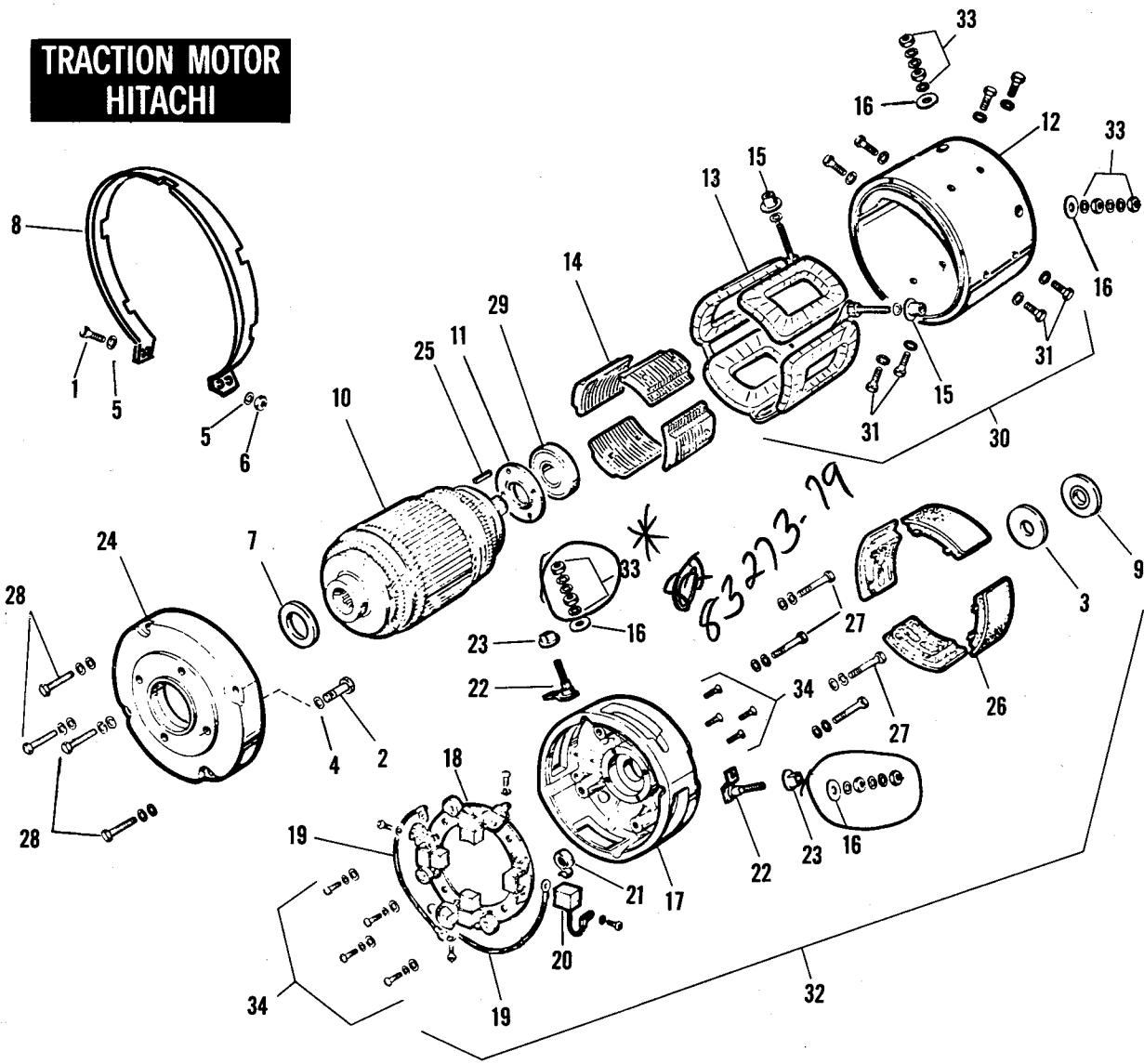
TRACTION MOTOR — AMF

TRACTION MOTOR — AMF

INDEX NO.	PART NO.	N A M E	USED ON
1	1080B	SCREW, No. 8-32 x 1 fil. hd. (4)	77 to * — DE3
2	2551W	BOLT, 1/4-20 x 1 hex. hd. (5)	77 to * — DE3
3	3768	BOLT, 1/4-20 x 2-1/2 hex. hd. (2)	77 to * — DE3
4	4085B	BOLT, 3/8-16 x 7/8 hex. hd.	79 to * — DE3
5	4380W	BOLT, 3/8-24 x 2 hex. hd. (4)	77 & 78 — DE3
6	4730	BOLT, 5/16-24 x 1-3/4 hex. hd. (4)	77 to * — DE3
7	6192	WASHER, No. 8 x 7/16 x 3/64 (4)	77 to * — DE3
8	6333	WASHER, 5/16 x 7/8 x 5/64 (8)	77 to * — DE3
9	6681	NYLON WASHER, 27/32 x 2-3/8 x 1/32	77 to * — DE3
10	6701	WASHER, 3/8 x 13/16 x 1/16 (4)	77 to * — DE3
11	6703	WASHER, 1/4 x 5/8 x 1/16 (13)	77 to * — DE3
12	7015	LOCKWASHER, No. 8 (4)	77 to * — DE3
13	7036	LOCKWASHER, 1/4 (17)	77 to * — DE3
14	7038	LOCKWASHER, 3/8 (4)	77 to * — DE3
15	7041	LOCKWASHER, 5/16 (4)	77 to * — DE3
16	7145W	LOCKWASHER, 3/8 external tooth (8)	77 to * — DE3
17	7686	LOCKNUT, 1/4-20 x 5/16 x 7/16 hex. (2)	77 to * — DE3
18	7753	NUT, 5/16-24 x 1/4 x 1/2 hex. (8)	77 to * — DE3
19	7800W	NUT, 3/8-24 x 5/16 x 9/16 hex. (4)	77 to * — DE3
20	12041	OIL SEAL	79 to * — DE3
21	16246—77	STRAP, motor support	77 & 78 — DE3
	16246—79	STRAP, motor support	79 to * — DE3
22	47749—67A	SEAL, motor shaft	77 to * — DE3
23	83170—75	TRACTION MOTOR (AMF)	77 to * — DE3
24	83171—75	BRUSH COVER	77 to * — DE3
25	83172—75	SCREW, brush cover, No. 8-32 x 1/2 (5)	77 to * — DE3
26	83173—75	SPEED NUT, brush cover	77 to * — DE3
27	83174—75	FRAME ASSEMBLY, commutator end	77 to * — DE3
28	83175—75	SCREW, brush holder, 1/4-20 x 1/2 (4)	77 to * — DE3
29	83176—75	SCREW, brush terminal, No. 10 self tapping (4)	77 to * — DE3
30	83177—75	SPEED NUT, brush terminal screw (4)	77 to * — DE3
31	83178—75	WIRING HARNESS, terminal A2	77 to * — DE3
32	83179—75	WIRE, terminal A1	77 to * — DE3
33	83180—75	WASHER, terminals (8)	77 to * — DE3
34	83181—75	BUSHING, terminals (4)	77 to * — DE3
35	83182—75	SPRING (4)	77 to * — DE3
36	83183—75	BRUSH HOLDER	77 to * — DE3
37	83184—75	BRUSH (4)	77 to * — DE3
38	83185—75	PLATE, bearing	77 to * — DE3
39	83186—75	BALL BEARING	77 to * — DE3
40	83187—75	RETAINING RING	77 to * — DE3
41	83188—75	END COVER	77 to * — DE3
42	83189—75	ARMATURE	77 to * — DE3
43	83190—75	STRAIGHT KEY	77 to * — DE3
44	83191—75	FRAME ASSEMBLY, with coils and shoes	77 to * — DE3
45	83192—75	BOLT, pole shoes, 1/4-20 x 7/8 hex. hd. (8)	77 to * — DE3
46	83193—75	COIL ASSEMBLY	77 to * — DE3
47	83194—75	COIL (2)	77 to * — DE3

NOTE: Asterisk (*) indicates part is used for latest model year shown on cover.

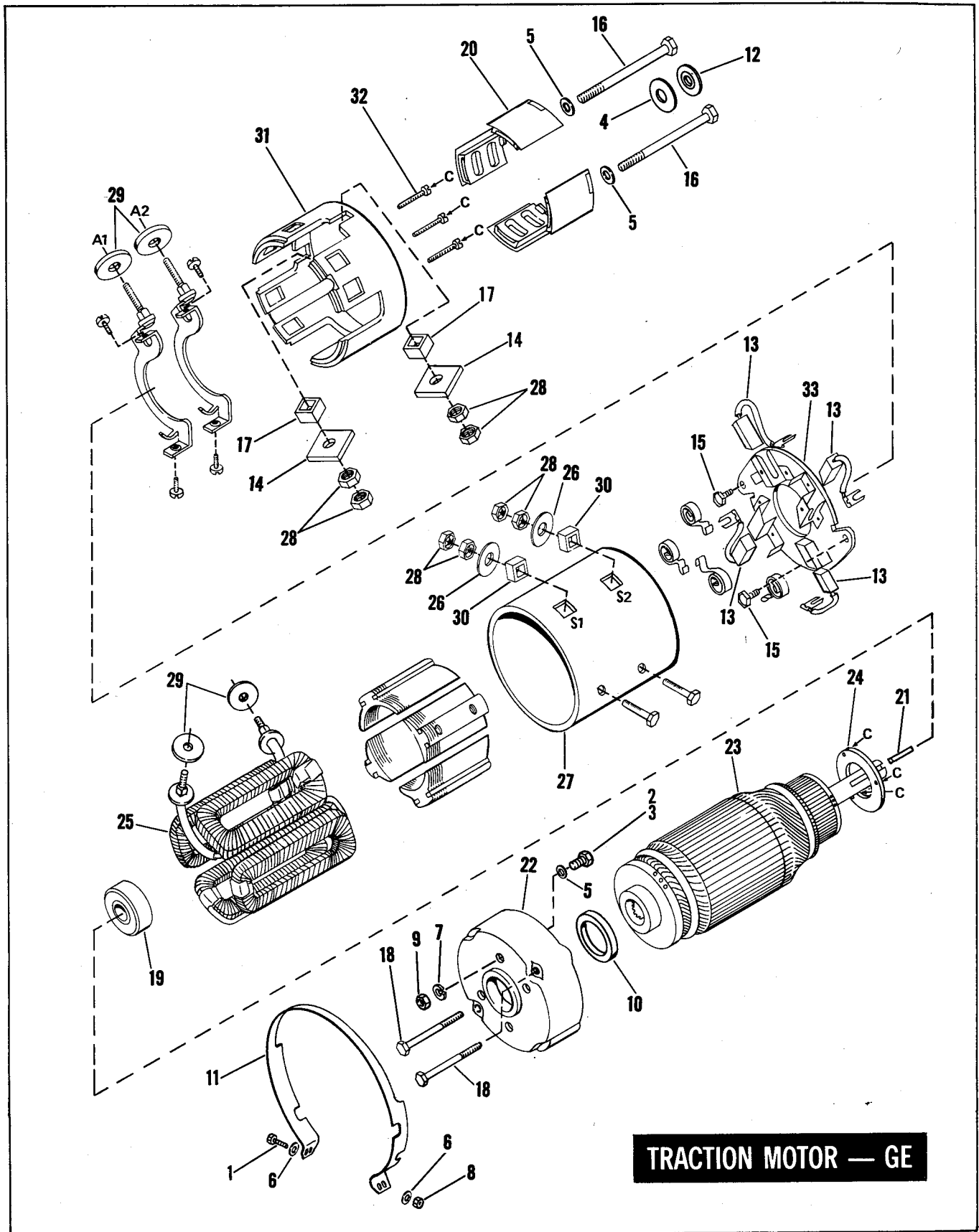
TRACTION MOTOR HITACHI



TRACTION MOTOR — HITACHI

INDEX NO.	PART NO.	N A M E	USED ON
1	2551W	BOLT, 1/4-20 x 1 hex. hd. (2)	Late 79 to * — DE3
2	4085B	BOLT, 3/8-16 x 7/8 hex. hd. (4)	Late 79 to * — DE3
3	6681	NYLON WASHER, 27/32 x 2-3/8 x 1/32	Late 79 to * — DE3
4	6701	WASHER, 3/8 x 13/16 x 1/16 (4)	Late 79 to * — DE3
5	6703	WASHER, 1/4 x 5/8 x 1/16 (4)	Late 79 to * — DE3
6	7686	LOCKNUT, 1/4-20 x 5/16 x 7/16 hex.	Late 79 to * — DE3
7	12041	OIL SEAL, traction motor	Late 79 to * — DE3
8	16246—79	STRAP, motor support	Late 79 to * — DE3
9	47749—67A	SEAL, motor shaft	Late 79 to * — DE3
	82819—79	TRACTION MOTOR (Hitachi)	Late 79 to * — DE3
10	82907—79	ARMATURE	Late 79 to * — DE3
11	82908—79	RETAINING RING, bearing	Late 79 to * — DE3
12	82910—79	FRAME	Late 79 to * — DE3
13	82911—79	FIELD COIL SET	Late 79 to * — DE3
14	82912—79	COIL COVER (4)	Late 79 to * — DE3
15	82913—79	INSULATOR, terminal (2)	Late 79 to * — DE3
16	82914—79	WASHER, frame	Late 79 to * — DE3
17	82915—79	BRACKET, brush plate	Late 79 to * — DE3
18	82916—79	BRUSH PLATE	Late 79 to * — DE3
19	82917—79	JUMPER WIRE (2)	Late 79 to * — DE3
20	82918—79	BRUSH WITH WIRE (4)	Late 79 to * — DE3
21	82919—79	SPRING, brush (4)	Late 79 to * — DE3
22	82920—79	BOLT, terminal (2)	Late 79 to * — DE3
23	82921—79	INSULATOR, terminal bolt (2)	Late 79 to * — DE3
24	82922—79	END COVER	Late 79 to * — DE3
25	82923—79	KEY, armature	Late 79 to * — DE3
26	82924—79	BRUSH COVER (4)	Late 79 to * — DE3
27	82925—79	BOLT, brush plate bracket (4)	Late 79 to * — DE3
28	82926—79	BOLT, end cover	Late 79 to * — DE3
29	83269—79	BEARING	Late 79 to * — DE3
30	83270—79	YOKE ASSEMBLY	Late 79 to * — DE3
31	83271—79	BOLT (8)	Late 79 to * — DE3
32	83272—79	BRACKET ASSEMBLY	Late 79 to * — DE3
33	83273—79	TERMINAL KIT (4)	Late 79 to * — DE3
34	83274—79	SCREW KIT (12)	Late 79 to * — DE3

NOTE: Asterisk (*) indicates part is used for latest model year shown on cover.



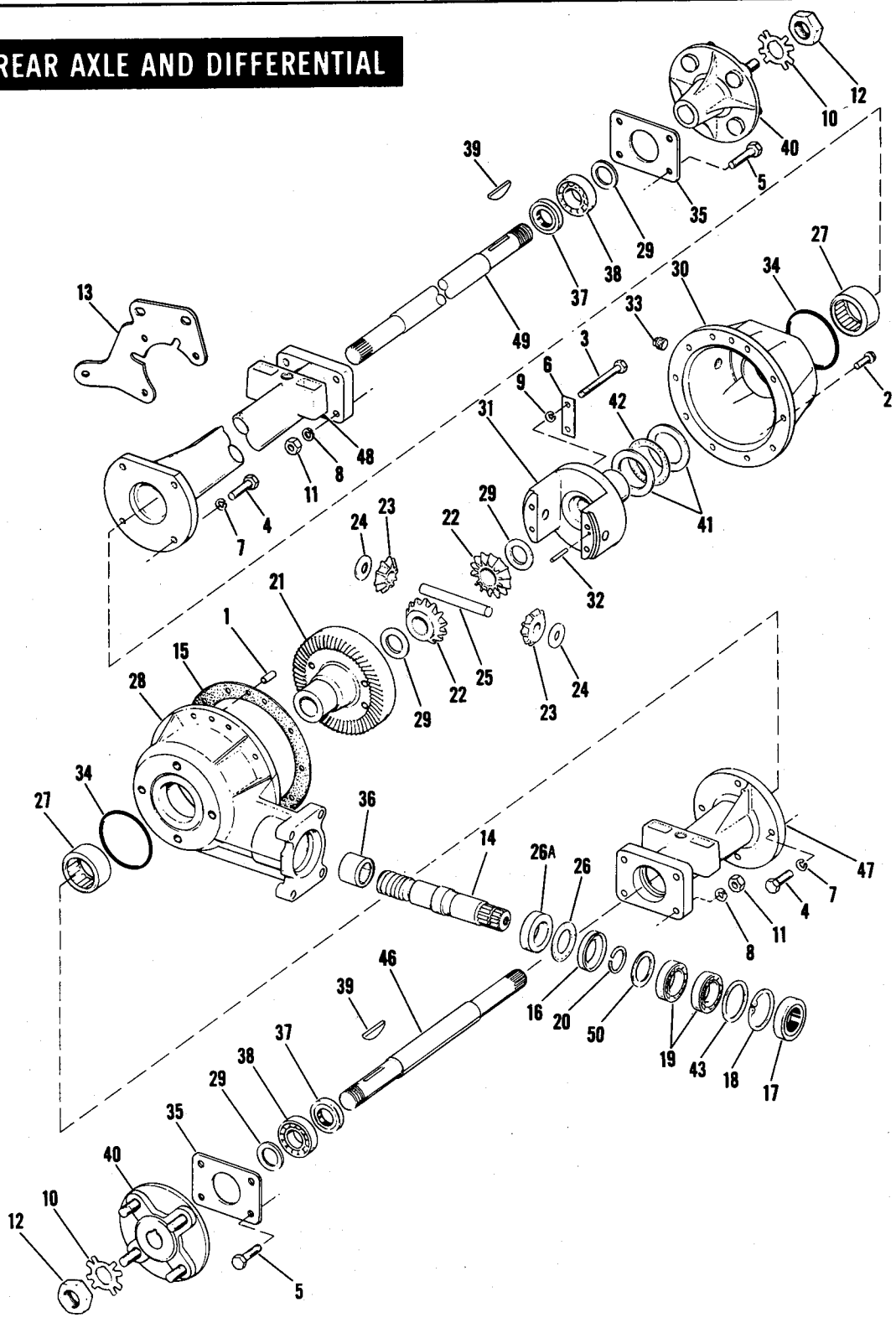
TRACTION MOTOR — GE

TRACTION MOTOR — GE (1977 & 1978)

INDEX NO.	PART NO.	N A M E	USED ON
1	2551W	BOLT, 1/4-20 x 1 hex. hd. (2)	77 & 78 — DE3
2	4085B	BOLT, 3/8-16 x 7/8 hex. hd. (Dana)	77 & 78 — DE3
3	4380W	BOLT, 3/8-24 x 2 hex. hd. (4)	77 & 78 — DE3
4	6681	NYLON WASHER, 27/32 x 2-3/8 x 1/32	77 & 78 — DE3
5	6701	WASHER, 3/8 x 13/16 x 1/16 (4)	77 & 78 — DE3
6	6703	WASHER, 1/4 x 5/8 x 1/16 (2)	77 & 78 — DE3
7	7038	LOCKWASHER, 3/8 (4)	77 & 78 — DE3
8	7686	LOCKNUT, 1/4-20 x 5/16 x 7/16 hex. (2)	77 & 78 — DE3
9	7800W	NUT, 3/8-24 x 5/16 x 9/16 hex. (4)	77 & 78 — DE3
10	12041	OIL SEAL	77 & 78 — DE3
11	16246—77	STRAP, motor support	77 & 78 — DE3
12	47749—67A	SEAL, motor shaft	77 & 78 — DE3
13	70491—73	SET OF BRUSHES WITH WIRES	77 & 78 — DE3
14	72342—73	SQUARE WASHER, terminal studs (2)	77 & 78 — DE3
15	72343—73	SCREW, brush plate (2)	77 & 78 — DE3
16	72347—73	BOLT, commutator end cover (2)	77 & 78 — DE3
17	72352—73	SQUARE INSULATOR, terminals A1 & A2 (2)	77 & 78 — DE3
18	72379—73	BOLT, end cover	77 & 78 — DE3
19	72380—72	BALL BEARING	77 & 78 — DE3
20	72386—73	BRUSH COVER (4)	77 & 78 — DE3
21	83190—75	STRAIGHT KEY	77 & 78 — DE3
22	83252—75	END COVER	77 & 78 — DE3
23	83253—75	ARMATURE	77 & 78 — DE3
24	83254—75	RETAINING RING, bearing	77 & 78 — DE3
25	83255—75	FIELD COIL SET	77 & 78 — DE3
26	83256—75	WASHER, terminals (2)	77 & 78 — DE3
27	83257—75	FRAME ASSEMBLY, with coils and shoes	77 & 78 — DE3
28	83259—75	NUT, terminals (8)	77 & 78 — DE3
29	83260—75	WASHER, terminals (4)	77 & 78 — DE3
30	83262—75	SQUARE INSULATOR, terminals S1 & S2 (2)	77 & 78 — DE3
31	83263—75	END COVER, commutator end	77 & 78 — DE3
32	83264—75	SCREW, bearing retainer (3)	77 & 78 — DE3
33	83268—75	BRUSH PLATE, with springs, brushes and A1 & A2	77 & 78 — DE3

NOTE: Asterisk (*) indicates part is used for latest model year shown on cover.

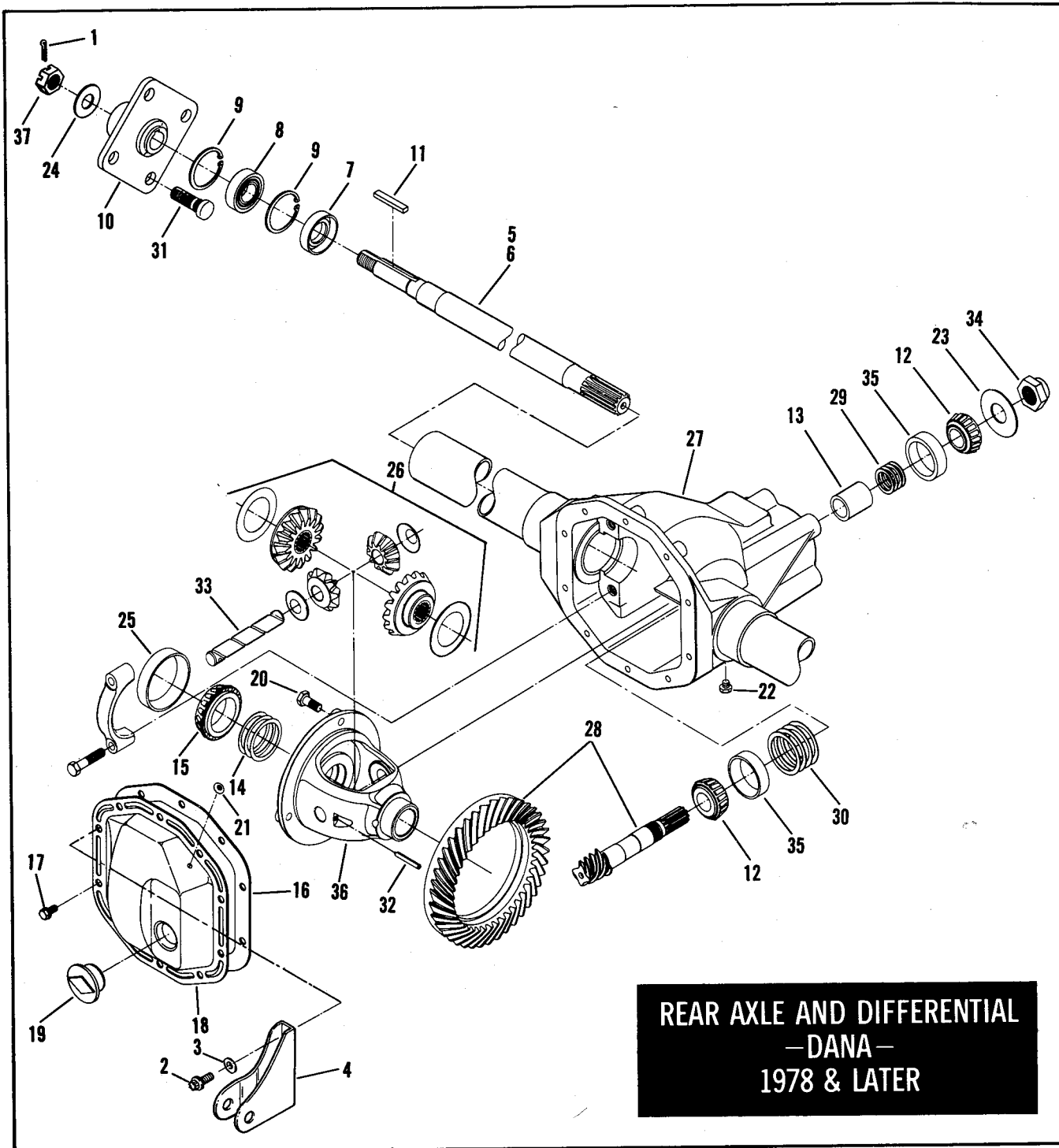
REAR AXLE AND DIFFERENTIAL



REAR AXLE AND DIFFERENTIAL (1977 to 1978)

INDEX NO.	PART NO.	N A M E	USED ON
1	376	DOWEL PIN, differential case (2)	77 & 78 — DE3
2	3940	BOLT, 5/16 x 7/8 hex. hd. (10)	77 & 78 — DE3
3	3957	BOLT, 3/8 x 3-3/8 hex. hd. (4)	77 & 78 — DE3
4	3962	BOLT, 1/2 x 1-1/2 hex. hd. (8)	77 & 78 — DE3
5	3977	BOLT, 7/16 x 1-1/2 hex. hd. (8)	77 & 78 — DE3
6	6573	WASHER PLATE, differential gear carrier (2)	77 & 78 — DE3
7	7049	LOCKWASHER, 1/2 (8)	77 & 78 — DE3
8	7054	LOCKWASHER, 7/16 (8)	77 & 78 — DE3
9	7061	LOCKWASHER, 3/8 (4)	77 & 78 — DE3
10	7216	RETAINER, axle nut (2)	77 & 78 — DE3
11	7661	NUT, hub to axle housing (8)	77 & 78 — DE3
12	7664	NUT, axle shaft (2)	77 & 78 — DE3
13	54524-77	BRACKET, shock absorber	77 & 78 — DE3
	82833-77	REAR AXLE AND DIFFERENTIAL ASSEMBLY, complete	77 & 78 — DE3
14	82839-77	PINION SHAFT	77 & 78 — DE3
15	83044-77	GASKET, differential case	77 & 78 — DE3
16	83046-77	SPACER, pinion shaft — outer	77 & 78 — DE3
17	83049-77	SEAL, pinion shaft	77 & 78 — DE3
18	83052-77	RETAINING RING, pinion bearing — outer	77 & 78 — DE3
19	83054-77	BALL BEARING, pinion shaft (2)	77 & 78 — DE3
20	83056-77	RETAINING RING, pinion bearing — inner	77 & 78 — DE3
21	83090-77	RING GEAR	77 & 78 — DE3
22	83091-77	GEAR, axle (2)	77 & 78 — DE3
23	83092-77	GEAR, idler (2)	77 & 78 — DE3
24	83093-77	THRUST WASHER, idler gear (2)	77 & 78 — DE3
25	83094-77	SHAFT, idler gear	77 & 78 — DE3
26	83094-77	SHAFT, idler gear	77 & 78 — DE3
26	83109-77	RADIAL BEARING, pinion shaft	77 & 78 — DE3
26A	83111-77	SPACER, pinion shaft — inner	77 & 78 — DE3
27	83117-77	NEEDLE BEARING, axle (2)	77 & 78 — DE3
28	83121-77	DIFFERENTIAL CASE, right	77 & 78 — DE3
29	83122-77	THRUST WASHER, axle gear (2); hub to axle bearing (2)	77 & 78 — DE3
30	83123-77	DIFFERENTIAL CASE — left	77 & 78 — DE3
31	83124-77	CARRIER, gear — differential	77 & 78 — DE3
32	83127-77	PIN, idler gear shaft	77 & 78 — DE3
33	83128-77	PLUG, fill	77 & 78 — DE3
34	83129-77	O-RING, axle housing (2)	77 & 78 — DE3
35	83130-77	PLATE, axle housing end (2)	77 & 78 — DE3
36	83136-77	NEEDLE BEARING, pinion shaft	77 & 78 — DE3
37	83138-77	SEAL, axle housing — outer (2)	77 & 78 — DE3
38	83148-77	BALL BEARING, axle (2)	77 & 78 — DE3
39	83151-77	KEY, hub (2)	77 & 78 — DE3
40	83153-77	WHEEL HUB, with studs (2)	77 & 78 — DE3
41	83155-77	THRUST WASHER, gear carrier — radial bearing (2)	77 & 78 — DE3
42	83156-77	RADIAL BEARING, gear carrier	77 & 78 — DE3
43	83157-77	WASHER, pinion bearing retaining ring — outer	77 & 78 — DE3
46	83202-77	AXLE, right	77 & 78 — DE3
47	83203-77	HOUSING, axle — right	77 & 78 — DE3
48	83204-77	HOUSING, axle — left	77 & 78 — DE3
49	83205-77	AXLE, shaft — left	77 & 78 — DE3
50	83210-77	WASHER, pinion bearing retaining ring — inner	77 & 78 — DE3

NOTE: Asterisk (*) indicates part is used for latest model year shown on cover.



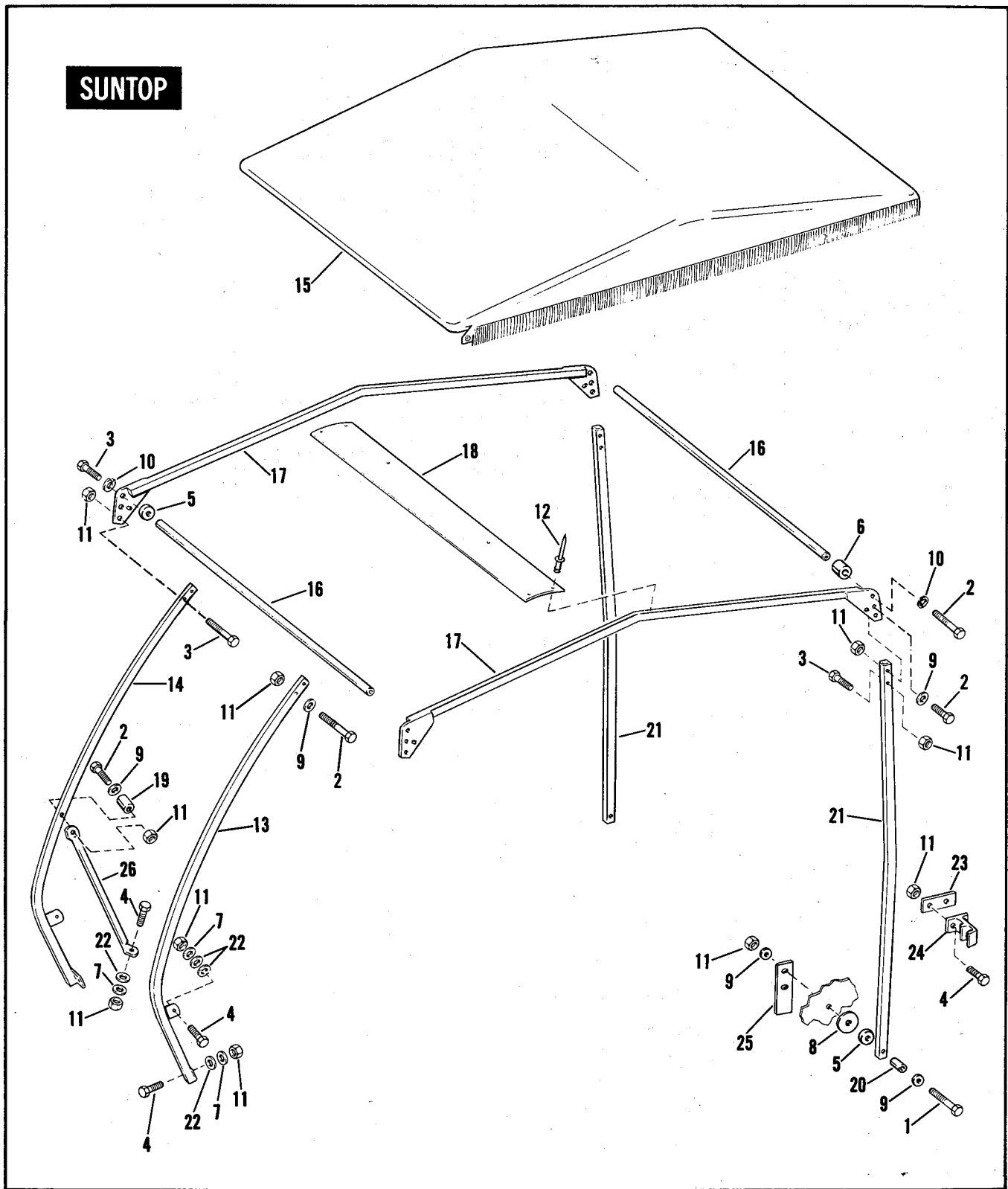
**REAR AXLE AND DIFFERENTIAL
—DANA—
1978 & LATER**

REAR AXLE AND DIFFERENTIAL — DANA — 1978 & LATER

INDEX NO.	PART NO.	N A M E	USED ON
1	559	COTTER PIN, 1/8 x 1-1/4	78 to * — DE3
2	4733	SCREW, 5/16-18 x 1 Torx. hd. (2)	78 to * — DE3
3	6702	WASHER, 5/16 x 11/16 x 1/16 (2)	78 to * — DE3
4	54524-73	MOUNTING BRACKET, shock absorber	78 to * — DE3
5	82702-78	AXLE SHAFT, right	78 to * — DE3
6	82703-78	AXLE SHAFT, left	78 to * — DE3
7	82704-78	OIL SEAL, axle end (2)	78 to * — DE3
8	82705-78	BEARING, axle end (2)	78 to * — DE3
9	82706-78	RETAINING RING, axle bearing (4)	78 to * — DE3
10	82707-78	HUB, rear wheel (2)	78 to * — DE3
11	82708-78	KEY, hub (2)	78 to * — DE3
12	82723-78	BEARING CONE, pinion (2)	78 to * — DE3
13	82724-78	SPACER, pinion bearings	78 to * — DE3
14	82728-78	SHIM, differential bearing — .003"	78 to * — DE3
	82729-78	SHIM, differential bearing — .005"	78 to * — DE3
	82730-78	SHIM, differential bearing — .010"	78 to * — DE3
	82731-78	SHIM, differential bearing — .030"	78 to * — DE3
15	82733-78	BEARING CONE, differential (2)	78 to * — DE3
16	82734-78	GASKET, axle housing cover	78 to * — DE3
17	82735-78	BOLT, axle housing cover (8)	78 to * — DE3
18	82736-78	COVER, axle housing	78 to * — DE3
19	82737-78	PLUG, axle housing cover	78 to * — DE3
20	82748-78	BOLT, drive gear (4)	78 to * — DE3
21	82749-78	BREATHER PLUG, axle housing cover	78 to * — DE3
22	82750-78	PLUG, drain	78 to * — DE3
23	82764-78	THRUST WASHER, pinion bearing	78 to * — DE3
24	82770-78	WASHER, axle nut (2)	78 to * — DE3
25	82771-78	BEARING CUP, differential (2)	78 to * — DE3
26	82772-78	DIFFERENTIAL GEAR SET	78 to * — DE3
27	82806-78	REAR AXLE AND DIFFERENTIAL ASSEMBLY, complete	78 to * — DE3
28	82948-74	MATCHED PINION AND GEAR	78 to * — DE3
29	83032-63	SHIM, pinion bearing — front — .003"	78 to * — DE3
	83033-63	SHIM, pinion bearing — front — .005"	78 to * — DE3
	83034-63	SHIM, pinion bearing — front — .010"	78 to * — DE3
	83035-63	SHIM, pinion bearing — front — .030"	78 to * — DE3
30	83072-63	SHIM, pinion bearing — rear — .003"	78 to * — DE3
	83073-63	SHIM, pinion bearing — rear — .005"	78 to * — DE3
	83074-63	SHIM, pinion bearing — rear — .010"	78 to * — DE3
31	83085-73	MOUNTING STUD, wheel hub (8)	78 to * — DE3
32	83103-73	ROLL PIN, differential case	78 to * — DE3
33	83104-73	SHAFT, idler gear	78 to * — DE3
34	83108-74	NUT, Pinion	78 to * — DE3
35	83112-63A	BEARING CUP, pinion (2)	78 to * — DE3
36	83125-73	DIFFERENTIAL CARRIER ASSEMBLY, with gears	78 to * — DE3
37	83131-63	CASTLE NUT, axle shaft (2)	78 to * — DE3

NOTE: Asterisk (*) indicates part is used for latest model year shown on cover.

SUNTOP

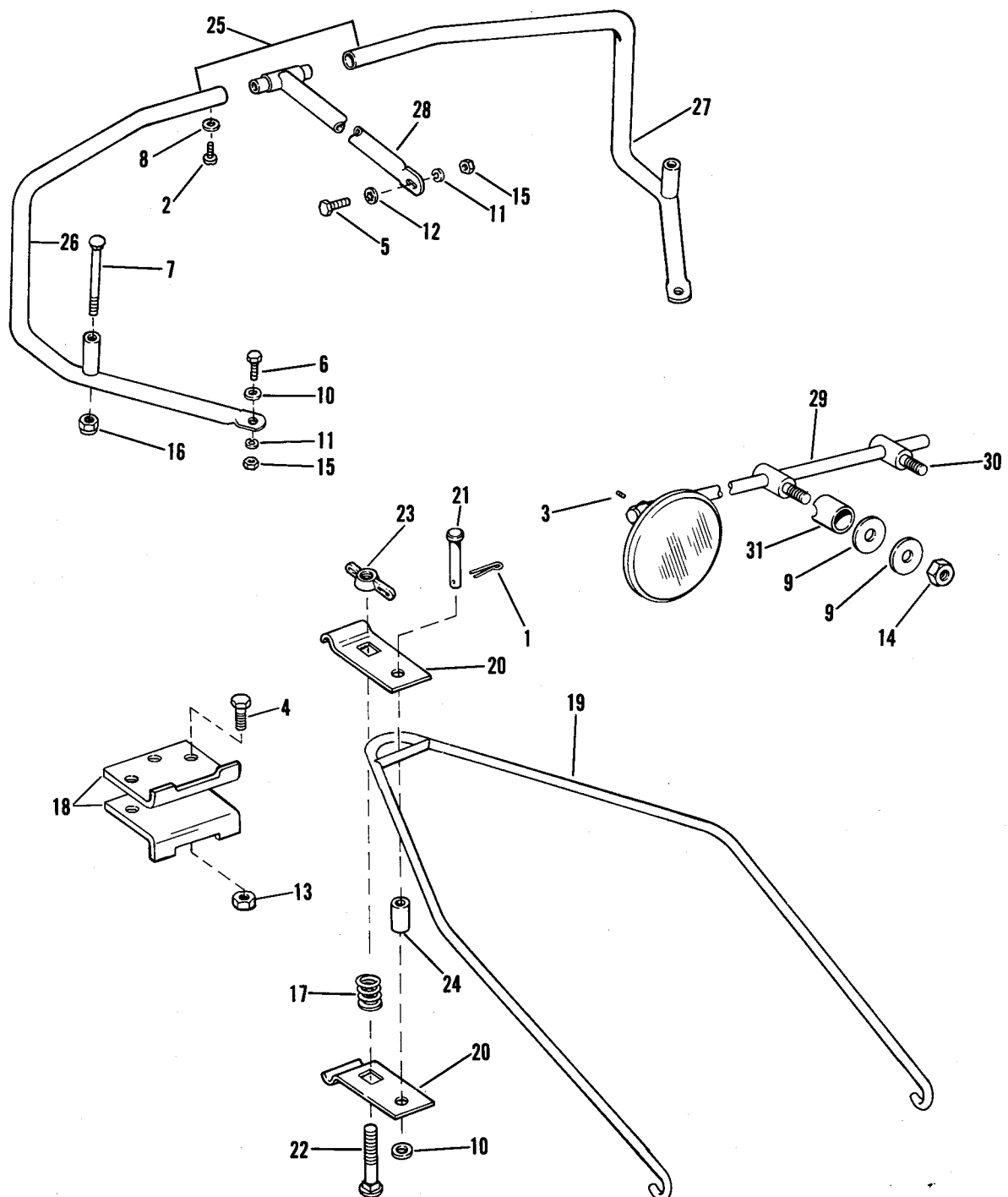


SUNTOP

INDEX NO.	PART NO.	N A M E	USED ON
1	2667	BOLT, 5/16-18 x 2 hex. hd.	77 to * - DE3
2	2818	BOLT, 5/16-18 x 1-1/2 hex. hd.)12)	77 to * - DE3
3	2871W	BOLT, 5/16-18 x 1-1/4 hex. hd. (2)	77 to * - DE3
4	3987	BOLT, 5/16-18 x 3/4 hex. hd.)10)	77 to * - DE3
5	5919	SPACER, 1/4 (4)	77 to * - DE3
6	5947W	SPACER, 9/16 (2)	77 to * - DE3
7	6229W	WASHER, 5/16 x 1-1/16 x 1/16 (6)	77 to * - DE3
8	6678W	WASHER, 11/32 x 1-1/2 x 5/32 (2)	77 to * - DE3
9	6702	WASHER, 5/16 x 11/16 x 1/16 (10)	77 to * - DE3
10	7041	LOCKWASHER, 5/16 (4)	77 to * - DE3
11	7740	LOCKNUT, 5/16-18 x 1/4 x 1/2 hex. (22)	77 to * - DE3
12	8483	POP RIVET, ridgeplate (4)	77 to * - DE3
	89450-74	SUNTOP, complete	77 to * - DE3
13	89451-74	SUPPORT TUBE, left front	77 to * - DE3
14	89456-74	SUPPORT TUBE, right front	77 to * - DE3
15	89457-74	COVER, suntop	77 to * - DE3
16	89458-74	CROSSOVER TUBE, upper front & rear (2)	77 to * - DE3
17	89461-74	SUPPORT TUBE, upper (2)	77 to * - DE3
18	89464-74	RIDGEPLATE	77 to * - DE3
19	89465-74	SPACER, front support tube, 7/8 (2)	77 to * - DE3
20	89466-74	BUSHING, rear support tube pivot, 15/16 (2)	77 to * - DE3
21	89467-74	SUPPORT TUBE, rear (2)	77 to * - DE3
22	89470-74	RUBBER WASHER, front support tube (8)	77 to * - DE3
23	89472-74	BACKING PLATE, rear guide (2)	77 to * - DE3
24	89474-74	GUIDE, rear support tube (2)	77 to * - DE3
25	89475-74	PLATE (2)	77 to * - DE3
26	89476-74	BRACE, front support tube to housing (2)	77 to * - DE3

NOTE: Asterisk (*) indicates part is used for latest model year shown on cover.

FRONT BUMPER, TOW BAR, MIRROR



FRONT BUMPER, TOW BAR AND MIRROR

INDEX NO.	PART NO.	NAME	USED ON
1	534	COTTER PIN, 3/32 dia. x 1	77 to * — DE3
2	2764W	SCREW, 1/4-20 x 5/8 self tapping Phillips hd. (2)	77 to * — DE3
3	3233	SET SCREW, 1/4-28 x 1/8 socket hd.	77 to * — DE3
4	3960W	BOLT, 5/16-24 x 1 hex. hd. (3)	77 to * — DE3
5	4319	BOLT, 3/8-24 x 1 hex. hd.	77 to * — DE3
6	4337W	BOLT, 3/8-24 x 1-1/4 hex. hd. (2)	77 to * — DE3
7	4376W	BOLT, 1/2-20 x 7/8 hex. hd. (2)	77 to * — DE3
8	6220W	WASHER, 1/4 x 7/16 x 1/32 (2)	77 to * — DE3
9	6416	WASHER, 3/8 x 1 x 5/64 (4)	77 to * — DE3
10	6701	WASHER, 3/8 x 13/16 x 1/16 (9)	77 to * — DE3
11	7038	LOCKWASHER, 3/8 (3)	77 to * — DE3
12	7130W	LOCKWASHER, 3/8 internal tooth	77 to * — DE3
13	7729	LOCKNUT, 5/16-24 x 1/4 x 1/2 hex. (3)	77 to * — DE3
14	7776W	LOCKNUT, 3/8-24 x 3/4 x 9/16 hex. (2)	77 to * — DE3
15	7800W	NUT, 3/8-24 x 5/16 x 9/16 hex. (3)	77 to * — DE3
16	7845	NUT, 1/4-20 x 7/16 x 3/4 hex. (2)	77 to * — DE3
17	73074—61	SPRING, tow bar bracket	77 to * — DE3
18	82007—74	BRACKET KIT, tow bar	77 to * — DE3
19	82009—70A	TOW BAR ASSEMBLY, complete	77 to * — DE3
20	82011—70	BRACKET, tow bar (2)	77 to * — DE3
21	82012—70	PIN, tow bar bracket	77 to * — DE3
22	82013—70	CARRIAGE BOLT, tow bar bracket	77 to * — DE3
23	82014—70	WING NUT, tow bar bracket bolt	77 to * — DE3
24	82015—70	SPACER, tow bar bracket pin	77 to * — DE3
25	91070—70	FRONT BUMPER ASSEMBLY, complete	77 to * — DE3
26	91071—70	BUMPER, left	77 to * — DE3
27	91072—70	BUMPER, right	77 to * — DE3
28	91083—70	CENTER SUPPORT, front bumper	77 to * — DE3
29	91872—65B	REAR VIEW MIRROR, with fittings	77 to * — DE3
30	91887—48	EYE BOLT, rear view mirror (2)	77 to * — DE3
31	91890—48	COLLAR, eye bolt (2)	77 to * — DE3

NOTE: Asterisk (*) indicates part is used for latest model year shown on cover.

NUMERICAL INDEX

Part No.	Page	Part No.	Page	Part No.	Page	Part No.	Page	Part No.	Page
360 W	5	3213	11	5405 B	19		12	7049	49
376	49	3233	55	5919	17		43	7054	49
515	3	3239 W	12		53		45	7061	49
	5	3491	17	5927	17		47	7068	19
	7	3728	41	5947 W	53		55	7069	37
	11	3765	7	5965 B	27	6702	3		41
	19	3767 B	5	5966 W	37		7	7115	37
534	55		11	5977 W	11		13	7118	5
559	12	3768	43	6075 W	37		17		33
	15	3794 W	17	6107 B	23		23		37
	25	3825	37	6150 W	17		25	7124	17
	51	3854	15		27		33		37
610	3	3940	49	6165 W	3		35	7127	41
612	5	3945	19		37		51	7130 W	39
1080 B	43	3950	19	6182 W	25		53		55
1183	33	3957	49		41	6703	29	7145 W	43
1357 W	19	3960 W	13	6192	17		37	7216	49
	21		17		43		41	7590	37
1764 W	7		55	6218 W	12		43	7607 B	15
1784	37	3962	49	6220 W	55		45	7608	27
1785	37	3974 HW	5	6228 W	21		47		41
2073 W	17		11	6229 W	53	6714 W	13	7609 W	17
2551 W	43		21	6242 W	7	6716	3		41
	45	3977	49		25		7	7620 W	37
	47	3987	3	6253 W	37		25	7624	7
2556	37		17	6257 W	25		37	7638	41
2595	37		53	6266	23	6717	37	7643 W	5
2599	41	3996	11		25	6809	13	7661	49
2601	37	4014 W	15		27	6969	17	7664	49
2602	37	4017	23	6321 H	5	7010	37	7676	12
2612	27	4036	27	6332 B	23	7015	27		37
2625	41	4064 W	5	6333	43		41	7682	5
2648	25		11	6341 B	3		43	7683	7
2659	37	4085 B	43		23	7036	5		37
2667	53		45	6375 B	5		11	7686	25
2668	5		47		7		21		41
	37	4319	13		37		25		43
2685 W	7		15	6403 B	19		37		45
	41		39	6409	5		41		47
2741	23		55	6410	5		43	7688	25
2764 W	55	4333	19	6416	3	7038	39		37
2784	25	4337 W	55		19		43		41
2794	37	4376 W	19		55		47	7725	7
2796 W	5		55	6418 B	15		55		23
	11	4380 W	43	6440 B	19	7039	15		27
2808	41		47	6469 HW	5	7041	5	7727	5
2811	31	4391	25	6568 B	19		17		11
2813	31	4411	12	6573	49		21		25
2818	53	4412	12	6607 W	19		23	7728	5
2828 W	12	4427 W	7	6678 W	53		25		11
	13	4434 W	19	6681	43		33	7729	5
2871 W	33	4725	5		45		35		11
	35		11		47		41		55
	53	4730	43	6684	19		43	7736	21
3204 W	41	4733	51	6701	5		53	7737 W	21

NUMERICAL INDEX

Part No.	Page	Part No.	Page	Part No.	Page	Part No.	Page	Part No.	Page
7739	3	9868	35		11	45630-70	12	52045-72	5
7740	25	9902	33	41424-63	5	45632-70	12	52049-75A	23
	53	9911	33		11	45652-74	12	52051-75A	23
7741	19	9923	33	41714-74	5	46047-70	12	52052-72	25
7742	19	9963	7	41722-72	5	46049-63A	12	52054-65A	23
	21		33	41775-72	5	46201-52	12	52056-72A	5
7748 W	17	9977	9	41776-72	5	47098-75	19	52057-72	25
	23	9981	33	41777-72	5	47300-66A	19	52058-75	23
	25	10006	33	41778-72	5	47457-77	19	52059-72	25
	33		35	41779-72	5	47524-66	19	52068-72	5
	35	10007	33	41780-72	5	47741-63	7	52070-74	5
7753	15		35	41810-64A	5	47744-66	11	52082-72	23
	23	11000	7		11	47745-74	11	52083-72	11
	41	11104	7	41811-64A	5	47746-66	11	52088-72	23
	43	11417	21		11	47748-72	5	52107-72	23
7775	19	11422	5	41811-71	5		11	52134-72A	23
7776 W	55		21		11	47749-67A	43	52135-72A	23
7778	12	12009	12	41834-67	7		45	52630-72	23
	13	12041	43	41841-63	5		47	52631-72	23
7800 W	15		45		11	47761-74	7	53470-71	21
	39		47	42267-74	5	50225-73	19	53487-65	21
	43	16246-77	43	42405-68	7	50241-67	25	53488-67	21
	47		47	42479-63A	7	50243-67	19	53488-71	21
	55	16246-79	43	42482-63	7	50244-67	19	53491-65	21
7845	15		45	42483-63	7	50252-74	25	53493-71	21
	19	17485-71	37	42488-63B	7	50253-66B	17	53496-67	21
	55	24794-67	19	42490-67	7	50255-66B	17	53498-71	21
7947 W	12	26814-67	5	42494-63B	7	50260-66B	17	54514-73	19
7993	13	31400-67B	17	42501-67	7	50260-79	17	54524-73	19
7995	15	31404-80	17	42996-80	9	50263-74	25		51
8112 B	5	31405-70	23	43017-66B	9	50270-74	25	54524-77	19
	17	31406-67	17	43103-72	9	50271-65	25		49
8206 W	23	31407-67	17	43104-72	9	50275-66	19	54564-73	19
8212	27	31407-80	17	43152-66	9	50275-67	25	57011-74	13
8321	17	31411-65	23	43156-63	9	50277-67	19	57021-74	13
8480	33	31414-80	17	43158-65	9	50278-67A	25	57026-67	13
	35	31415-67	17	43600-63	9	50279-67A	25	57063-67	15
8483	53	31418-67A	17	43600-65	9	50280-63A	25	57064-69	15
8528 W	25	31419-67	17	43614-66A	9	50281-67	25	57065-67	15
	27	33874-41	7	43731-69	29	50302-79	17	57066-68	15
8641 B	25	38078-47	5	43732-63A	9	50303-66A	17	57067-68	15
8685	17		11	43733-47	29	50304-66	17	57068-67	15
	27	38712-68	31	43738-63A	9	50340-67	25	57070-68	15
8689	25	40501-63	3	43874-70	9	50346-67A	25	57071-68	15
8692	17	40512-68A	3	44908-74	19	50346-79	25	57072-67	15
	25	40516-68	3	44912-63A	25	50347-69	25	57073-67	15
8858	5	40518-68	3	44913-74A	25	50347-80	25	57074-68	15
	11	40522-63	3	44918-74	25	50349-71	25	57075-67A	15
9033	9		27	45529-74	12	50514-70	19	57076-68	15
9045	12		37	45581-67A	17	50523-72	19	57077-67	15
9857	33	41049-70	25	45584-63C	13	50528-67	17	57078-67	15
9859	33	41199-66A	9	45593-70	12	50529-67A	17	57081-67	15
9862	33	41421-74	5	45594-70	12	50972-75	12	57082-67	15
9863	33		11	45599-63	12	52042-72	25	57084-67	15
9866	33	41422-74	5	45599-70	12	52043-72	5	57088-67	15

NUMERICAL INDEX

Part No.	Page	Part No.	Page	Part No.	Page	Part No.	Page	Part No.	Page
57090-67	15	70193-72	35	71461-79	41	82014-70	55	83034-63	51
57202-74	13	70199-63B	33	71470-63D	41	82015-70	55	83035-63	51
57203-74	13		35	71471-67A	41	82702-78	51	83044-77	49
57204-74	12	70351-72	35	71476-67A	41	82703-78	51	83046-77	49
	13	70406-72	31	71491-66A	39	82704-78	51	83049-77	49
58011-74	27		35	71506-67	37	82705-78	51	83052-77	49
58012-74	27	70407-72	31	71513-66A	3	82706-78	51	83054-77	49
58032-74	27		35	71514-66A	37	82707-78	9	83056-77	49
58034-74	27	70432-72	37	71762-75	39		51	83072-63	51
58054-74	27	70433-72	35	71765-75	39	82708-78	51	83073-63	51
58059-74	27		41	71793-71	3	82723-78	51	83074-63	51
58060-74	27	70451-72	33		37	82724-78	51	83085-73	9
58103-74	27	70457-72	33	71795-63A	33	82728-78	51		51
58105-74	27	70458-72	33		37	82729-78	51	83090-77	49
58108-74	27	70463-69	35	71798-66B	3	82730-78	51	83091-77	49
58174-74	27	70463-71B	35	71799-68	3	82731-78	51	83092-77	49
58175-74	27	70464-67A	33	71820-63A	37	82733-78	51	83093-77	49
59598-69	25	70464-72	33	71822-67A	37	82734-78	51	83094-77	49
59607-64A	25	70465-67	33	71850-63	37	82735-78	51		49
59794-69	25		35	71851-63	37	82736-78	51	83103-73	51
61771-72	17	70472-67A	35	71852-63	37	82737-78	51	83104-73	51
64001-72A	17		37	71853-63A	37	82748-78	51	83108-74	51
64009-63	17	70478-72	35	72030-47	37	82749-78	51	83109-77	49
66007-63	29	70490-77	33	72038-71	33	82750-78	51	83111-77	49
66036-72	31	70491-73	47	72039-71	33	82764-78	51	83112-63A	51
66043-72	31	70551-69	33	72043-71	33	82770-78	51	83117-77	49
66063-69B	31	70552-69	33	72044-71	33	82771-78	51	83121-77	49
66070-72	31	70553-69	33	72342-73	47	82772-78	51	83122-77	49
66387-64	29	70554-69	33	72343-73	47	82806-78	51	83123-77	49
66453-66	29	70555-69	33	72347-73	47	82819-79	45	83124-77	49
66462-66A	29	70556-71	33	72352-73	47	82833-77	49	83125-73	51
66493-67	31	70558-71	33	72379-73	47	82839-77	49	83127-77	49
66500-69	31	70559-71	33	72380-72	47	82907-79	45	83128-77	49
66500-75	31	70589-69	33	72386-73	47	82908-79	45	83129-77	49
66501-69	31	70596-72	33	73074-61	5	82910-79	45	83130-77	49
66501-76	31	70597-72	33		55	82911-79	45	83131-63	51
66502-69	31		35	73092-61B	5	82912-79	45	83136-77	49
66503-69	31	70621-79	35		7	82913-79	45	83138-77	49
66504-69	31	70622-79	35	74857-67A	41	82914-79	45	83148-77	49
66505-69	31	70623-79	35	74859-67A	41	82915-79	45	83151-77	49
66505-76	31		41	74861-67A	41	82916-79	45	83153-77	9
66506-69	31	70624-79	35	74862-67A	41	82917-79	45		49
66507-69	31	70626-79	35	74873-72	41	82918-79	45	83155-77	49
66508-69	31	70627-79	35	74875-67	41	82919-79	45	83156-77	49
66509-69	31	70628-79	33	74885-67	37	82920-79	45	83157-77	49
66512-69	31		35	74893-67	41	82921-79	45	83170-75	43
66512-76	31	70632-79	33	74894-63A	41	82922-79	45	83171-75	43
66513-69	31		35	74895-63	41	82923-79	45	83172-75	43
66513-76	31	71021-72	41	74898-72	41	82924-79	45	83173-75	43
66515-76	31	71021-79	41	74899-72	41	82925-79	45	83174-75	43
66516-76	31	71023-65	39	82007-74	55	82926-79	45	83175-75	43
66517-76	31	71030-74	41	82009-70A	55	82948-74	51	83176-75	43
66518-76	31	71030-79	41	82011-70	55	83004-72	19	83177-75	43
70045-63	35	71402-79	41	82012-70	55	83032-63	51	83178-75	43
	37	71445-79	39	82013-70	55	83033-63	51	83179-75	43

NUMERICAL INDEX

Part No.	Page	Part No.	Page	Part No.	Page	Part No.	Page	Part No.	Page
83180-75	43	91810-63A	33						
83181-75	43	91813-63	33						
83182-75	43	91818-68	33						
83183-75	43	91872-65B	55						
83184-75	43	91887-48	55						
83185-75	43	91890-48	55						
83186-75	43								
83187-75	43								
83188-75	43								
83189-75	43								
83190-75	43								
	47								
83191-75	43								
83192-75	43								
83193-75	43								
83194-75	43								
83202-77	49								
83203-77	49								
83204-77	49								
83205-77	49								
83210-77	49								
83252-75	47								
83253-75	47								
83254-75	47								
83255-75	47								
83256-75	47								
83257-75	47								
83259-75	47								
83260-75	47								
83262-75	47								
83263-75	47								
83264-75	47								
83268-75	47								
83961-63A	9								
83975-37A	12								
85213-42A	19								
89450-74	53								
89451-74	53								
89456-74	53								
89457-74	53								
89458-74	53								
89461-74	53								
89464-74	53								
89465-74	53								
89466-74	53								
89467-74	53								
89470-74	53								
89472-74	53								
89474-74	53								
89475-74	53								
89476-74	53								
91070-70	55								
91071-70	55								
91072-70	55								
91083-70	55								

AMF

Harley-Davidson

Milwaukee, Wisconsin 53201