



Harley-Davidson Motor Co., Inc.

PARTS CATALOG
DE-3 Electric Golf Car
1977 to 1982

Part No. 99449-82

ALPHABETICAL INDEX

	Page		Page
Accelerator Pedal	3	Mirror	57
Accessory Panel	17	Numerical Index	58
Axle — Front	9	Rear Axle and Differential .	51, 53
Bag Holders	21	Rear Suspension	19
Batteries	29	Resistor	35
Battery Charger	31	Seat	23
Battery Charger (Built In) ..	33	Seat Brake	5
Beverage Holder	23	Shields	17
Body	24, 25	Shock Absorber	19
Brake	5, 11	Solenoids	43
Brake Pedal	7	Speed Switch	39
Bumper — Front	57	Splash Guard	24, 25
Bumper — Rear	24	Steering Gear	15
Carry All	17	Steering Tiller	13
Cigarette Lighter	35	Steering Wheel	15
Disc Brake	11	Suntop	55
Floormat	17	Tiller	13
Fork — Front	12	Traction Motor - AMF	45
Fork — Rear	19	Traction Motor - Hitachi ...	47
Fork Housing	17	Traction Motor - GE	49
Frame	19	Tow Bar	57
Handrail	23	Wheels	9
Ignition Switch	41	Windshield	27
		Wiring	35, 37

PATENT NOTICE

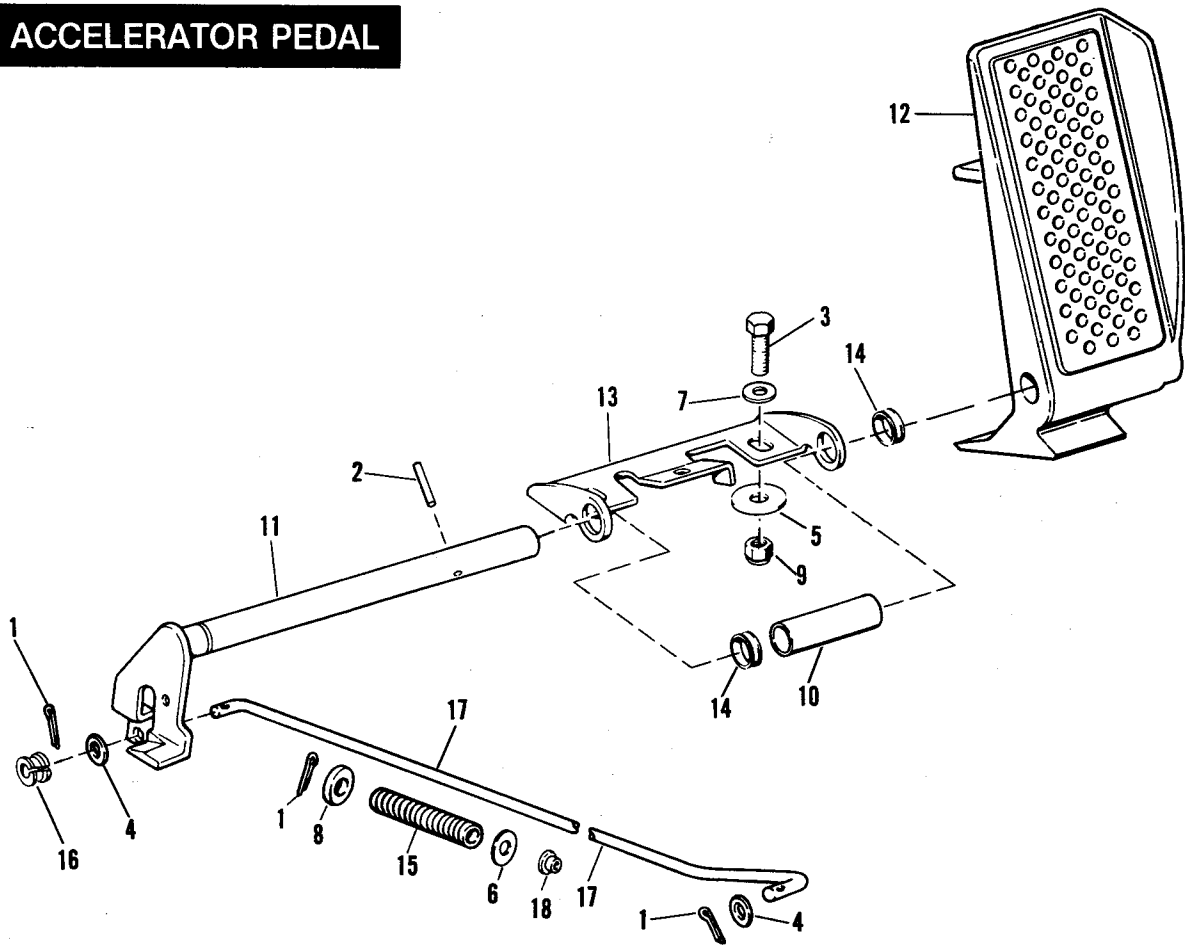
Harley-Davidson products are manufactured under one or more of the following patents: U.S. Patents — 2986162, 2987934, 2998809, 3116089, 3144631, 3144860, 3226994, 3229792, 3434887, 3559773, 3673359, 3709317, Des. 225,626.

To the best knowledge of Harley-Davidson Motor Co., Inc., the material contained herein is accurate as of the date this publication was approved for printing. Harley-Davidson Motor Co., Inc., reserves the right to change specifications, equipment, or designs at any time without notice and without incurring obligation.

HARLEY-DAVIDSON MOTOR CO., INC.
Milwaukee, Wisconsin 53201

Drop Here

ACCELERATOR PEDAL

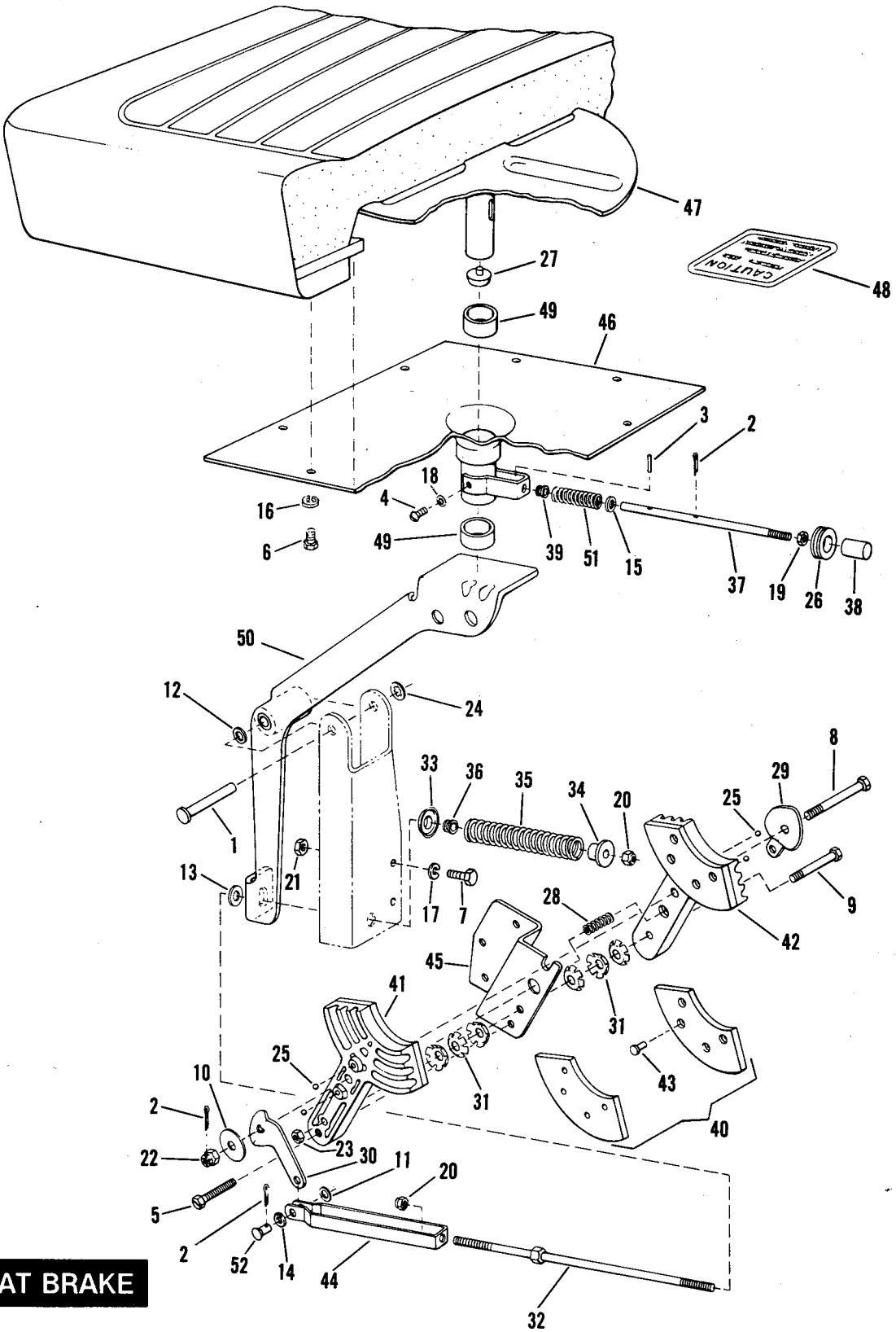


ACCELERATOR PEDAL

F1

RETAIL PRICE	INDEX NO.	PART NO.	N A M E	USED ON
	1	515	COTTER PIN, 1/16 x 3/4 (3)	77 to * — DE3
	2	610	ROLL PIN, accelerator pedal	77 to * — DE3
	3	3987	BOLT, 5/16-18 x 3/4 hex. hd. (2)	77 to * — DE3
	4	6165W	WASHER, 3/16 x 3/8 x 1/32 (2)	77 to * — DE3
	5	6341B	WASHER, 5/16 x 1-1/8 x 1/16 (2)	77 to * — DE3
	6	6416	WASHER, 3/8 x 1 x 5/64	77 to * — DE3
	7	6702	WASHER, 5/16 x 11/16 x 1/16 (2)	77 to * — DE3
	8	6716	WASHER, No. 10 x 1/2 x 3/64	77 to * — DE3
	9	7739	LOCKNUT, 5/16-18 x 11/32 x 1/2 hex. (2)	77 to * — DE3
		40497—68	ACCELERATOR PEDAL ASSEMBLY	77 to * — DE3
			Includes besides interlock shaft:	
		610	ROLL PIN	
		40501—63	BUSHING SPACER	
		40516—68	ACCELERATOR PEDAL	
		40518—68	BRACKET, accelerator	
		40522—63	BUSHING, accelerator	
		71793—71	BEARING, accelerator interlock shaft	
	10	40501—63	BUSHING SPACER, accelerator	77 to * — DE3
	11	40512—68A	INTERLOCK SHAFT, accelerator — with bearing	77 to * — DE3
	12	40516—68	ACCELERATOR PEDAL	77 to * — DE3
	13	40518—68	BRACKET, accelerator	77 to * — DE3
	14	40522—63	BUSHING, accelerator (2)	77 to * — DE3
	15	71513—66A	SPRING, speed switch rod	77 to * — DE3
	16	71793—71	BEARING, accelerator interlock shaft (2)	77 to * — DE3
	17	71798—66B	ROD, accelerator linkage	77 to * — DE3
	18	71799—68	NYLON BUSHING, speed switch rod	77 to * — DE3

NOTE: Asterisk (*) indicates part is used for latest model year shown on cover.



SEAT BRAKE

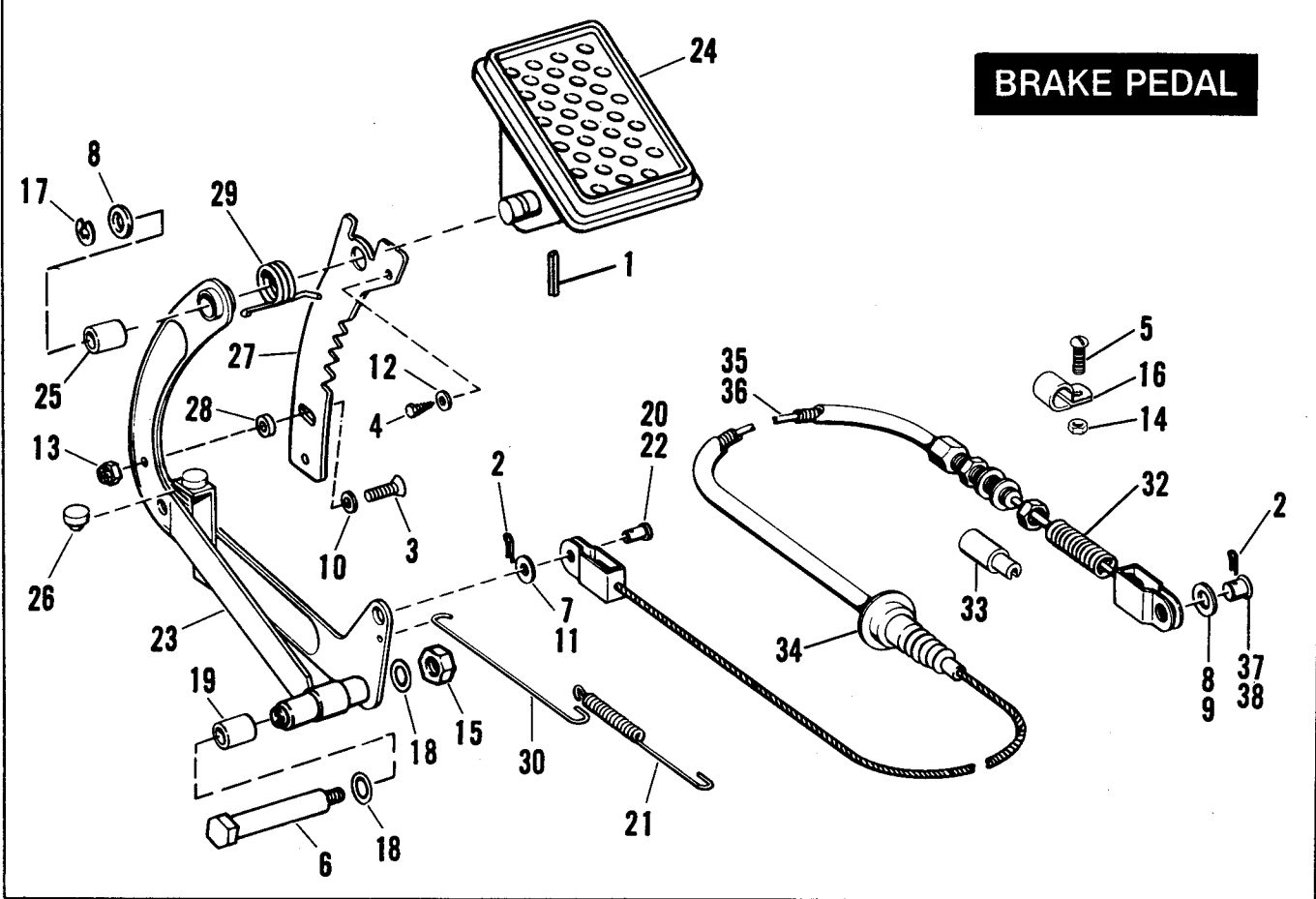
SEAT BRAKE

RETAIL PRICE	INDEX NO.	PART NO.	N A M E	USED ON
	1	360W	PIVOT PIN, seat brake lever	77 to * — DE3
	2	515	COTTER PIN, 1/16 x 3/4 (3)	77 to * — DE3
	3	612	ROLL PIN, lockout rod	77 to * — DE3
	4	2668	SCREW, No. 10-24 x 9/16 Pozidriv pan hd.	77 to * — DE3
	5	2796W	SCREW, 1/4-20 x 1-1/2 hex. slot hd. (w/lock patch)	77 to * — DE3
	6	3767B	BOLT, 1/4-20 x 5/8 hex. hd. (4)	77 to * — DE3
	7	3974HW	BOLT, 5/16-24 x 3/4 hex. hd. (2)	77 to * — DE3
	8	4064W	BOLT, 5/16-24 x 3-3/4 hex. hd. (drilled)	77 to * — DE3
	9	4725	BOLT, 5/16-24 x 2-3/4 hex. hd.	77 to * — DE3
	10	6321H	WASHER, 11/32 x 1 x 5/64	77 to * — DE3
	11	6375B	WASHER, 3/8 x 9/16 x 1/32	77 to * — DE3
	12	6409	WASHER, 1/2 x 3/4 x 1/32 nylon	77 to * — DE3
	13	6410	WASHER, 1/4 x 9/16 x 1/16 nylon	77 to * — DE3
	14	6469HW	WASHER, 7/16 x 3/4 x 1/8	77 to * — DE3
	15	6701	WASHER, 3/8 x 13/16 x 1/16	77 to * — DE3
	16	7036	LOCKWASHER, 1/4 (4)	77 to * — DE3
	17	7041	LOCKWASHER, 5/16 (2)	77 to * — DE3
	18	7118	LOCKWASHER, No. 10 internal tooth	77 to * — DE3
	19	7643W	JAM NUT, 3/8-16 x 7/32 x 9/16 hex.	77 to * — DE3
	20	7682	LOCKNUT, 1/4-28 x 3/16 x 7/16 hex. (2)	77 to * — DE3
	21	7727	LOCKNUT, 5/16-24 x 1/4 x 1/2 hex. (2)	77 to * — DE3
	22	7728	CASTLE NUT, 5/16-24 x 15/32 x 1/2 hex.	77 to * — DE3
	23	7729	LOCKNUT, 5/16-24 x 1/4 x 1/2 hex.	77 to * — DE3
	24	8112B	PUSH NUT, lever pivot pin	77 to * — DE3
	25	8858	BALL (4)	77 to * — DE3
	26	11422	GROMMET, lockout knob	77 to * — DE3
	27	26814-79	CONTACT BUTTON, plunger plate	77 to * — DE3
	28	38078-47	SPRING, brake shoe	77 to * — DE3
	29	41421-74	BRAKE CAM LEVER	77 to * — DE3
	30	41422-74	BRAKE CAM	77 to 81 — DE3
		41422-82	BRAKE CAM	82 to * — DE3
	31	41424-63	SPRING WASHER (6)	77 to * — DE3
	32	41714-74	OPERATING ROD	77 to * — DE3
	33	41722-72	RETAINER, operating rod spring	77 to * — DE3
	34	41775-72	GUIDE, operating rod spring	77 to * — DE3
	35	41776-72	SPRING, operating rod	77 to * — DE3
	36	41777-72	BUSHING, operating rod	77 to * — DE3
	37	41778-72	LOCKOUT ROD	77 to * — DE3
	38	41779-72	KNOB, lockout	77 to * — DE3
	39	41780-72	BUSHING, lockout knob	77 to * — DE3
	40	41810-64A	SET OF BRAKE LININGS AND RIVETS	77 to * — DE3
	41	41811-64A	BRAKE SHOE, front	77 to * — DE3
	42	41811-71	BRAKE SHOE, rear	77 to * — DE3
	43	41841-63	RIVET, brake lining (8)	77 to * — DE3
	44	42267-74	CLEVIS	77 to * — DE3
	45	47748-72	BRACKET, brake shoe	77 to * — DE3
	46	52043-72	GUIDE PLATE, plunger plate	77 to 81 — DE3
		52043-82	GUIDE PLATE, plunger plate	82 to * — DE3
	47	52045-72	PLUNGER PLATE, seat brake	77 to 81 — DE3
		52045-82	PLUNGER PLATE, seat brake	82 to * — DE3
	48	52056-72A	CAUTION LABEL	77 to * — DE3
	49	52068-72	BUSHING, guide plate (2)	77 to * — DE3
	50	52070-74	LEVER, seat brake	77 to * — DE3
	51	73074-61	SPRING, lockout rod	77 to * — DE3
	52	73092-61B	PIN, clevis to brake	77 to * — DE3

NOTE: Custom seat components must be used in conjunction with seat brake.
See page 23 for other custom seat component part numbers.

NOTE: Asterisk (*) indicates part is used for latest model year shown on cover.

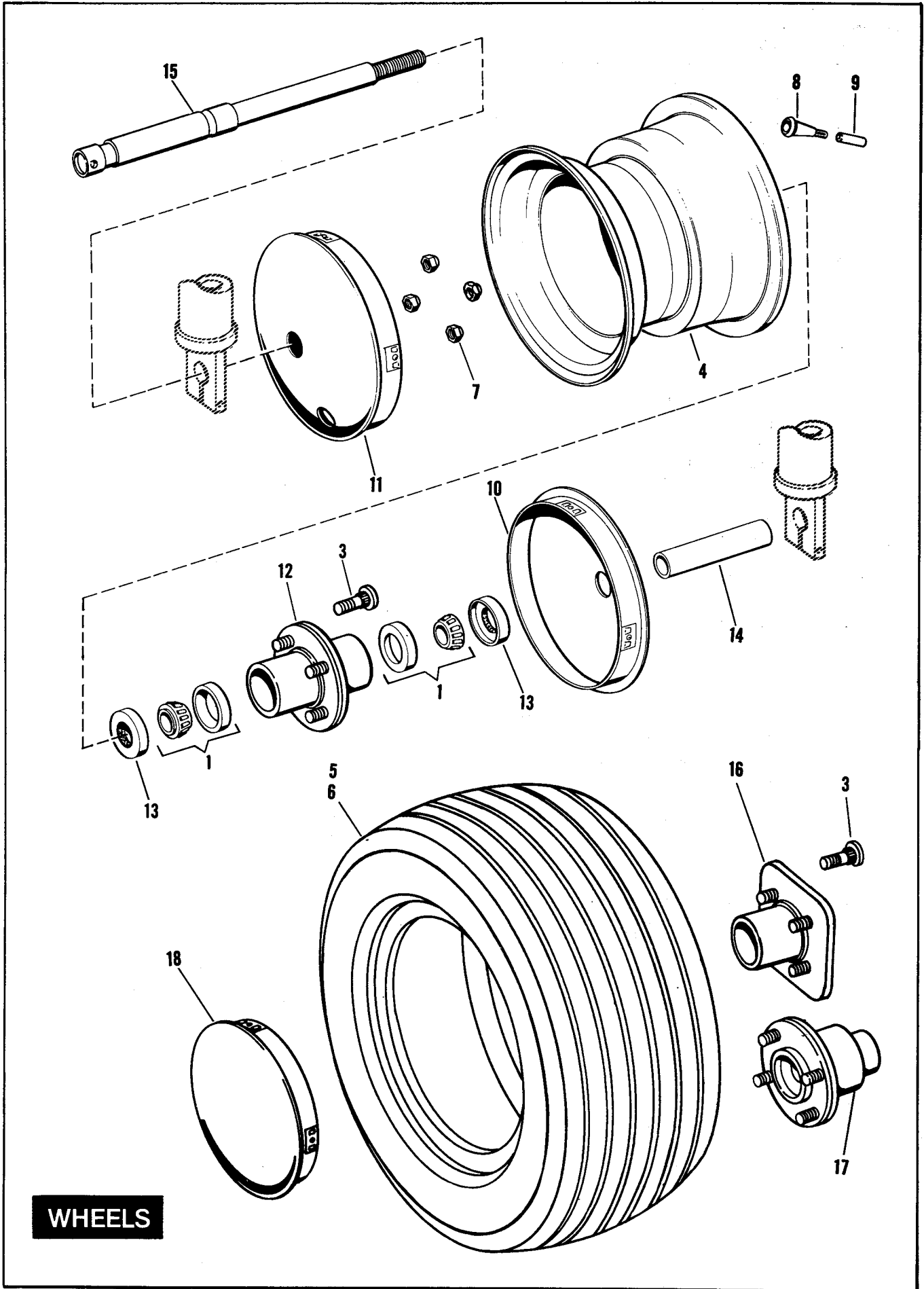
BRAKE PEDAL



BRAKE PEDAL

RETAIL PRICE	INDEX NO.	PART NO.	NAME	USED ON
	1	384	PIN	77 to * - DE3
	2	515	COTTER PIN, 1/16 x 3/4 (2)	77 to * - DE3
	3	1764W	SCREW, No. 10-24 x 1-1/8 ctsk. flat socket hd.	77 to * - DE3
	4	2685W	SCREW, No. 10-24 x 5/8 self tapping hex. hd.	77 to * - DE3
	5	3765	BOLT, 1/4-28 x 5/8 hex. hd.	77 to * - DE3
	6	4427W	SHOULDER BOLT, brake pedal	77 to * - DE3
	7	6242W	WASHER, 1/4 x 9/16 x 1/32	77 to 80 - DE3
	8	6375B	WASHER, 3/8 x 9/16 x 1/32 (2 - 1980 & earlier) (1 - 1981 & later)	77 to * - DE3
	9	6701	WASHER, 3/8 x 13/16 x 1/16	81 to * - DE3
	10	6702	WASHER, 5/16 x 11/16 x 1/16	77 to * - DE3
	11	6703	WASHER, 1/4 x 5/8 x 1/16	81 to * - DE3
	12	6716	WASHER, No. 10 x 1/2 x 3/64	77 to * - DE3
	13	7624	LOCKNUT, No. 10-24 x 1/4 x 3/8 hex.	77 to * - DE3
	14	7683	LOCKNUT, 1/4-28 x 5/16 x 7/16 hex.	77 to * - DE3
	15	7725	LOCKNUT, 5/16-24 x 11/32 x 1/2 hex.	77 to * - DE3
	16	9963	CLAMP, brake cable	77 to * - DE3
	17	11000	RETAINING RING, brake pedal	77 to * - DE3
	18	11104	O-RING, brake lever (2)	77 to * - DE3
	19	25785-30A	BUSHING, brake lever (2)	77 to * - DE3
	20	33874-41	CLEVIS PIN, brake cable (pedal end)	77 to 80 - DE3
	21	41834-67	SPRING, brake pedal return	77 to * - DE3
	22	42269-70	CLEVIS PIN, brake cable (pedal end)	81 to * - DE3
	23	42405-68	LEVER, brake pedal, with spring	77 to * - DE3
	24	42479-63A	BRAKE PEDAL, only	77 to * - DE3
	25	42482-63	BUSHING, brake lever	77 to * - DE3
	26	42483-63	BUMPER, brake lever (rubber)	77 to * - DE3
	27	42488-63B	RATCHET, brake lever	77 to * - DE3
	28	42490-67	SPACER, pedal ratchet	77 to * - DE3
	29	42494-63B	RATCHET SPRING, brake lever	77 to * - DE3
	30	42501-67	PULL WIRE, brake pedal	77 to * - DE3
	32	45070-51A	SPRING, brake cable	81 to * - DE3
	33	47741-63	SPACER, brake cable (for repairs)	77 to * - DE3
	34	47743-63	RETAINER, brake cable	81 to * - DE3
	35	47761-74A	BRAKE CONTROL CABLE KIT	77 to 80 - DE3
			Consists of:	
		6701	WASHER, 3/8 x 13/16 x 1/16	
		6703	WASHER, 1/4 x 5/8 x 1/16	
		42269-70	CLEVIS PIN, brake cable (pedal end)	
		47761-81	BRAKE CONTROL CABLE	
		73092-81	CLEVIS PIN brake cable (brake end)	
	36	47761-81	BRAKE CONTROL CABLE	81 to * - DE3
	37	73092-61B	CLEVIS PIN, brake cable (brake end)	77 to 80 - DE3
	38	73092-81	CLEVIS PIN, brake cable (brake end)	81 to * - DE3

NOTE: Asterisk (*) indicates part is used for latest model year shown on cover.



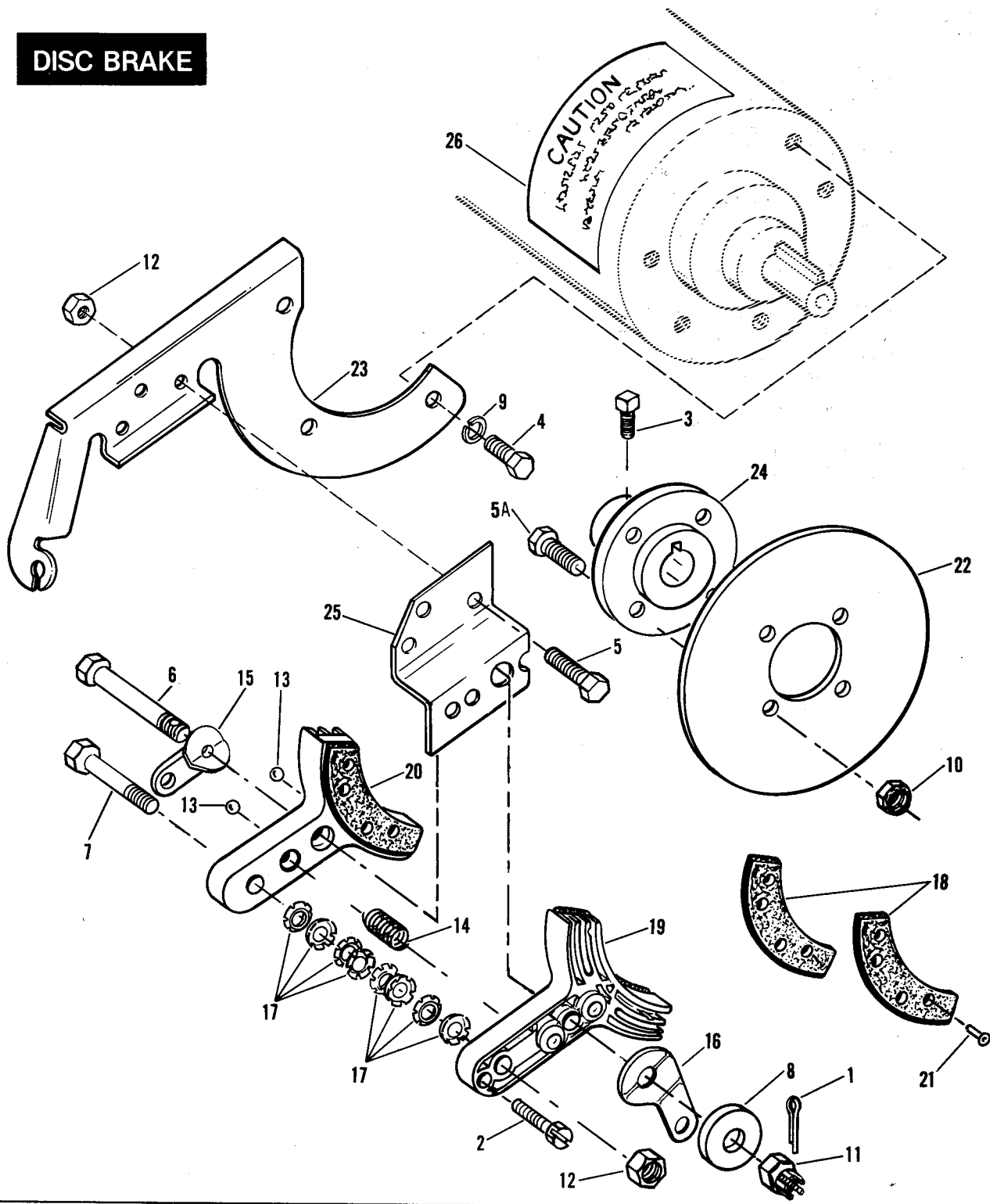
WHEELS

WHEELS

RETAIL PRICE	INDEX NO.	PART NO.	N A M E	USED ON
	1	9033	BEARING, front wheel (2)	77 to * — DE3
	3	41199—66A	MOUNTING STUD, wheel hub (4)	77 to * — DE3
	4	42996—80	WHEEL RIM (9.50 x 8) (Low pressure accessory)	77 to * — DE3
		43017—66B	WHEEL RIM (9.50 x 8)	77 to * — DE3
	5	43103—72	TIRE, rib tread (8.50 x 8 — 4 ply)	77 to * — DE3
	6	43104—72	TIRE, traction tread (8.50 x 8 — 4 ply)	77 to * — DE3
	7	43152—66	WHEEL NUT (12)	77 to * — DE3
	8	43156—63	VALVE WITH CORE	77 to * — DE3
	9	43158—65	TIRE VALVE EXTENSION, front wheel	77 to * — DE3
	10	43600—63	HUB CAP, front wheel	77 to * — DE3
	11	43600—65	HUB CAP, left (with hole for valve stem)	77 to * — DE3
	12	43614—66A	HUB ASSEMBLY, front wheel (includes bearings & seals)	77 to * — DE3
	13	43732—63A	SEAL, front wheel (2)	77 to * — DE3
	14	43738—63A	SPACER, front axle	77 to Early 81 — DE3
		43738—81	SPACER, front axle	Late 81 to * — DE3
	15	43874—81	FRONT AXLE	Late 81 to * — DE3
	16	82707—78A	HUB, rear wheel (Dana) (2)	78 to * — DE3
	17	83153—77	HUB, rear wheel (with studs) (2)	77 — DE3
	18	83961—63A	HUB CAP, rear wheel (2)	77 to * — DE3

NOTE: Asterisk (*) indicates part is used for latest model year shown on cover.

DISC BRAKE

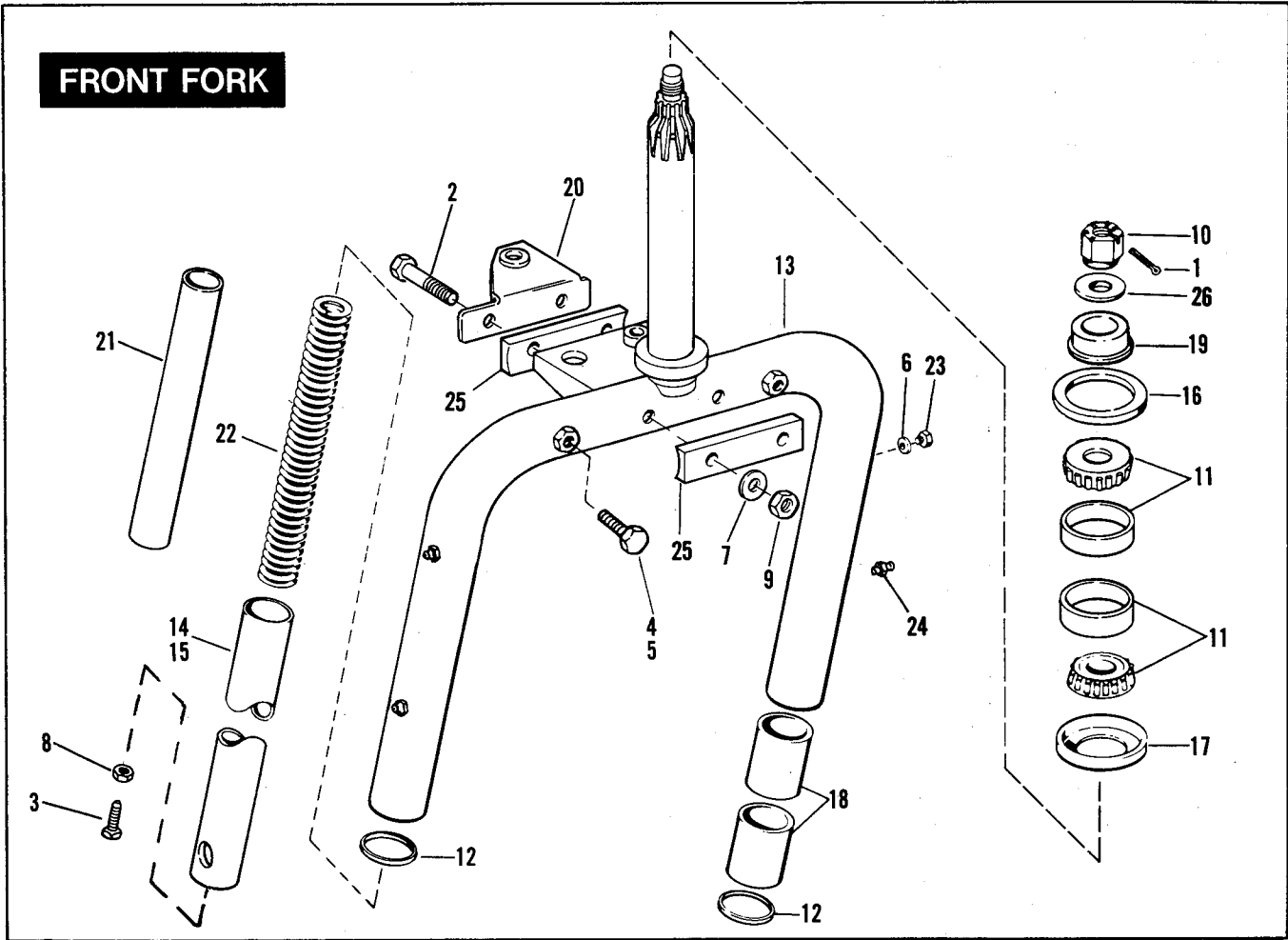


DISC BRAKE

RETAIL PRICE	INDEX NO.	PART NO.	N A M E	USED ON
	1	515	COTTER PIN, 1/16 x 3/4	77 to * — DE3
	2	2796W	SCREW, 1/4-20 x 1-1/2 hex. slot hd. (w/lock patch)	77 to * — DE3
	3	3213	SET SCREW, 1/4-20 x 3/4 (2)	77 to 81 — DE3
		3239W	SET SCREW, 1/4-28 x 3/4 sq. hd.(2)	82 to * — DE3
	4	3767B	BOLT, 1/4-20 x 5/8 hex. hd. (3)	77 to * — DE3
	5	3974HW	BOLT, 5/16-24 x 3/4 hex. hd. (2)	77 to * — DE3
	5A	3996	BOLT, 5/16-24 x 7/8 hex. hd. (4)	77 to * — DE3
	6	4064W	BOLT, 5/16-24 x 3-3/4 hex. hd. (drilled)	77 to * — DE3
	7	4725	BOLT, 5/16-24 x 2-3/4 hex. hd.	77 to * — DE3
	8	5977W	SPACER	77 to 81 — DE3
		6321H	WASHER, 11/32 x 1 x 5/64 (steel)	82 to * — DE3
	9	7036	LOCKWASHER, 1/4 (3)	77 to * — DE3
	10	7725	LOCKNUT, 5/16-24 x 11/32 x 1/2 hex.(4)	82 to * — DE3
		7727	LOCKNUT, 5/16-24 x 1/4 x 1/2 hex. (4)	77 to 81 — DE3
	11	7728	CASTLE NUT, 5/16-24 x 15/32 x 1/2 hex.	77 to * — DE3
	12	7729	LOCKNUT, 5/16-24 x 1/4 x 1/2 hex. (3)	77 to * — DE3
	13	8858	BALL, cam lever	77 to * — DE3
	14	38078-47	SPRING, brake shoe	77 to * — DE3
	15	41421-74	BRAKE CAM LEVER	77 to * — DE3
	16	41422-74	CAM, brake lever	77 to 81 — DE3
		41422-82	CAM, seat brake	82 to * — DE3
	17	41424-63	SPRING WASHER (6)	77 to * — DE3
	18	41810-64A	SET OF BRAKE LININGS AND RIVETS	77 to * — DE3
	19	41811-64A	BRAKE SHOE, front	77 to * — DE3
	20	41811-71	BRAKE SHOE, rear	77 to * — DE3
	21	41841-63	RIVET, brake lining (8)	77 to * — DE3
	22	47744-66	BRAKE DISC	77 to * — DE3
	23	47745-74	BRACKET, brake mounting	77 to * — DE3
	24	47746-66	HUB, brake disc	77 to * — DE3
	25	47748-72	BRACKET, brake shoe	77 to * — DE3
	26	52083-72	CAUTION LABEL, brake adjustment	77 to * — DE3

NOTE: Asterisk (*) indicates part is used for latest model year shown on cover.

FRONT FORK

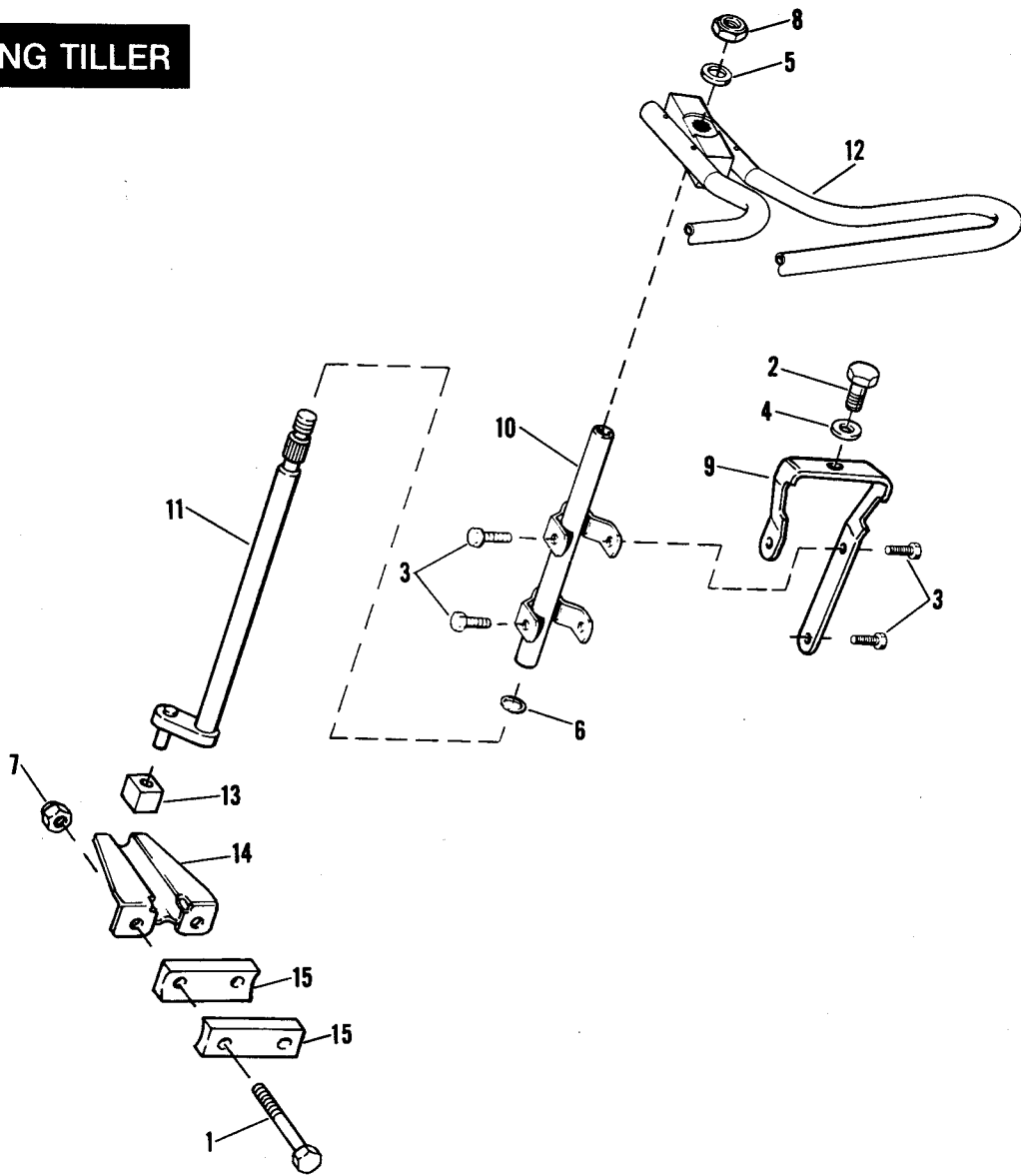


FRONT FORK

F6

RETAIL PRICE	INDEX NO.	PART NO.	NAME	USED ON
	1	559	COTTER PIN, 1/8 x 1-1/4	77 to * - DE3
	2	2828W	BOLT, 3/8-16 x 3 hex. hd. (2)	77 to * - DE3
	3	3239W	BOLT, 1/4-28 x 3/4 square hd.	77 to * - DE3
	4	4411	BOLT, 3/8-24 x 1-3/4 hex. hd. (steering wheel) (2)	77 to * - DE3
	5	4412	BOLT, 3/8-24 x 2-1/2 hex. hd. (tiller) (2)	77 to * - DE3
	6	6218W	WASHER, 1/4 x 7/16 x 1/32 (brass) (2)	77 to 79 - DE3
	7	6701	WASHER, 3/8 x 13/16 x 1/16 (2)	77 to * - DE3
	8	7676	NUT, 1/4-28 x 7/32 x 7/16 hex.	77 to * - DE3
	9	7778	LOCKNUT, 3/8-16 x 7/16 x 9/16 hex. (2)	77 to * - DE3
	10	7947W	CASTLE NUT, 5/8-18 x 1/2 x 15/16 hex.	77 to * - DE3
	11	9045	ROLLER BEARING (2)	77 to * - DE3
	12	12009	SEAL (2)	77 to * - DE3
	13	45529-74	FORK WITH BUSHINGS	77 to * - DE3
	14	45593-70	FORK SLIDER, right	77 to * - DE3
	15	45594-70	FORK SLIDER, left	77 to * - DE3
	16	45599-63	BEARING GUARD, steering head	77 to * - DE3
	17	45599-70	BEARING GUARD, steering head	77 to * - DE3
	18	45630-70	BUSHING, fork tube (4)	77 to * - DE3
	19	45632-70	SPACER, fork stem	77 to * - DE3
	20	45652-74	BRACKET, fork	77 to * - DE3
	21	46047-70	LINER, fork spring (2)	77 to * - DE3
	22	46049-63A	SPRING (2)	77 to * - DE3
	23	46201-52	FORK PLUG (2)	77 to 79 - DE3
	24	50972-75	GREASE FITTING (2)	80 to * - DE3
	25	57204-74	SPACER (2)	77 to * - DE3
	26	83975-37A	WASHER, 5/8 x 1-1/2 x 1/16	77 to * - DE3

STEERING TILLER



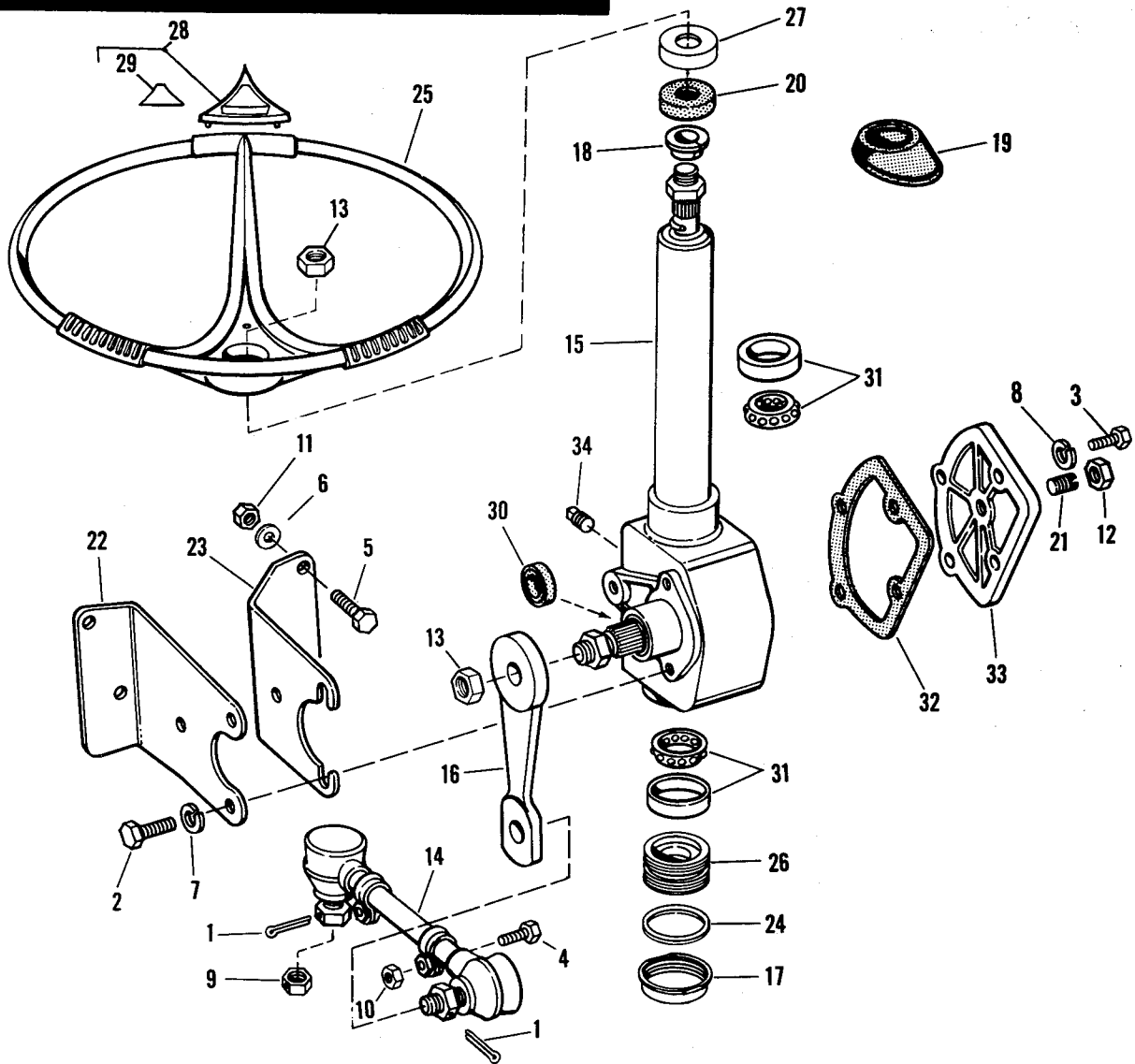
STEERING TILLER

F7

RETAIL PRICE	INDEX NO.	PART NO.	NAME	USED ON
	1	2828W	BOLT, 3/8-16 x 3 hex. hd. (2)	77 to * - DE3
	2	3960W	BOLT, 5/16-24 x 1 hex. hd.	77 to * - DE3
	3	4319	BOLT, 3/8-24 x 1 hex. hd. (4)	77 to * - DE3
	4	6702	WASHER, 5/16 x 11/16 x 1/16	77 to * - DE3
	5	6714W	WASHER, 5/8 x 1 x 1/32	77 to * - DE3
	6	6809	THRUST WASHER, 3/4 x 1 x 1/32 (2)	77 to * - DE3
	7	7778	LOCKNUT, 3/8-16 x 7/16 x 9/16 hex. (2)	77 to * - DE3
	8	7993	LOCKNUT, 5/8-18 x 3/8 x 15/16 hex.	77 to * - DE3
	9	45584-63C	BRACKET, steering head - tiller	77 to * - DE3
	10	57011-74	TILLER SHAFT TUBE ASSEMBLY	77 to * - DE3
	11	57021-74	TILLER SHAFT	77 to * - DE3
	12	57026-67	TILLER BAR ASSEMBLY	77 to * - DE3
	13	57202-74	SLIDER BLOCK, tiller	77 to * - DE3
	14	57203-74	CHANNEL, slider block	77 to * - DE3
	15	57204-74	SPACER (2)	77 to * - DE3

NOTE: Asterisk (*) indicates part is used for latest model year shown on cover.

STEERING WHEEL AND STEERING GEAR

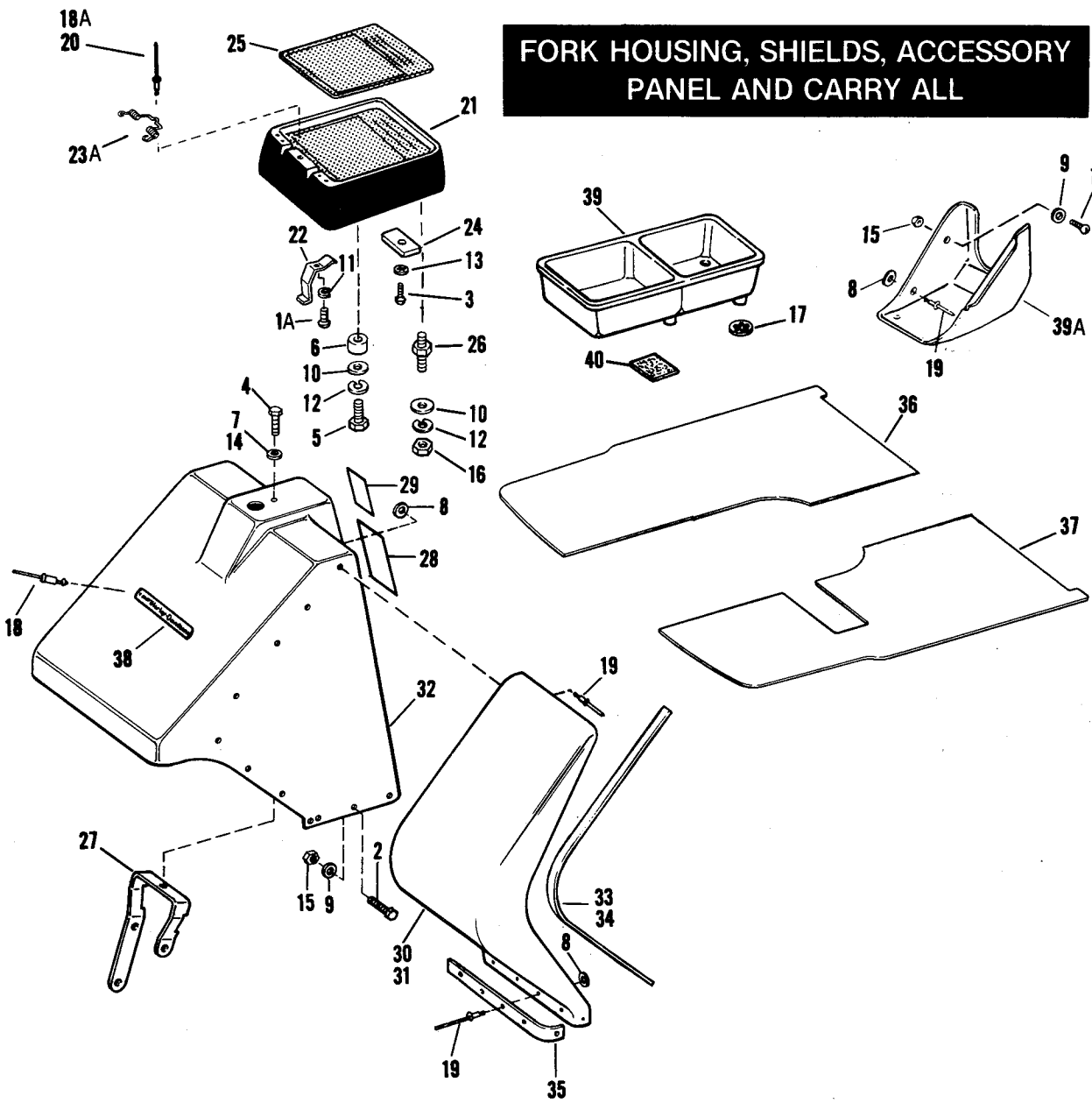


STEERING WHEEL AND STEERING GEAR

RETAIL PRICE	INDEX NO.	PART NO.	NAME	USED ON
	1	559	COTTER PIN, 1/8 x 1-1/4 (2)	77 to * — DE3
	2	3854	BOLT, 7/16-14 x 1 hex. hd. (3)	77 to * — DE3
	3	3991	BOLT, 5/16-18 x 7/8 hex. hd. (4)	77 to * — DE3
	4	4014W	BOLT, 5/16-24 x 1-1/4 hex. hd. (2)	77 to * — DE3
	5	4319	BOLT, 3/8-24 x 1 hex. hd. (6)	77 to * — DE3
	6	6418B	WASHER, 3/8 x 1-1/8 x 11/64 (3)	77 to * — DE3
	7	7039	LOCKWASHER, 7/16 (3)	77 to * — DE3
	8	7041	LOCKWASHER, 5/16 (4)	77 to * — DE3
	9	7607B	CASTLE NUT, 1/2-20 x 7/16 x 3/4 hex. (2)	77 to * — DE3
	10	7753	NUT, 5/16-24 x 1/4 x 1/2 hex. (2)	77 to * — DE3
	11	7800W	NUT, 3/8-24 x 5/16 x 9/16 hex. (3)	77 to * — DE3
	12	7845	NUT, 1/4-20 x 7/16 x 3/4 hex.	77 to * — DE3
	13	7995	NUT, 5/8-18 x 3/8 x 15/16 (2)	77 to * — DE3
	14	57063—67	TIE ROD, steering arm	77 to * — DE3
	15	57064—69	STEERING GEAR ASSEMBLY	77 to * — DE3
	16	57065—67	ARM, steering gear	77 to * — DE3
	17	57066—68	LOCKNUT, steering gear end cap	77 to * — DE3
	18	57067—68	BUSHING, steering shaft (nylon)	77 to * — DE3
	19	57068—67	BOOT, steering column (rubber)	77 to * — DE3
	20	57070—68	SPACER, steering column dirt guard	77 to * — DE3
	21	57071—68	ADJUSTING SCREW, steering gear worm	77 to * — DE3
	22	57072—67	FRONT BRACKET, steering gear	77 to * — DE3
	23	57073—67	REAR BRACKET, steering gear	77 to * — DE3
	24	57074—68	SEAL, end cap	77 to * — DE3
	25	57075—67A	STEERING WHEEL	77 to * — DE3
	26	57076—68	END CAP	77 to * — DE3
	27	57077—67	DIRT GUARD, steering gear	77 to * — DE3
	28	57078—67	COVER, steering wheel hub	77 to * — DE3
	29	57080—67	NAMEPLATE, steering wheel hub cover	77 to * — DE3
	30	57081—67	SEAL, steering shaft	77 to * — DE3
	31	57082—67	SET OF BEARINGS AND CUPS, worm shaft	77 to * — DE3
	32	57084—67	GASKET, side cover	77 to * — DE3
	33	57088—67	SIDE COVER	77 to * — DE3
	34	57090—67	FILLER PLUG	77 to * — DE3

NOTE: Asterisk (*) indicates part is used for latest model year shown on cover.

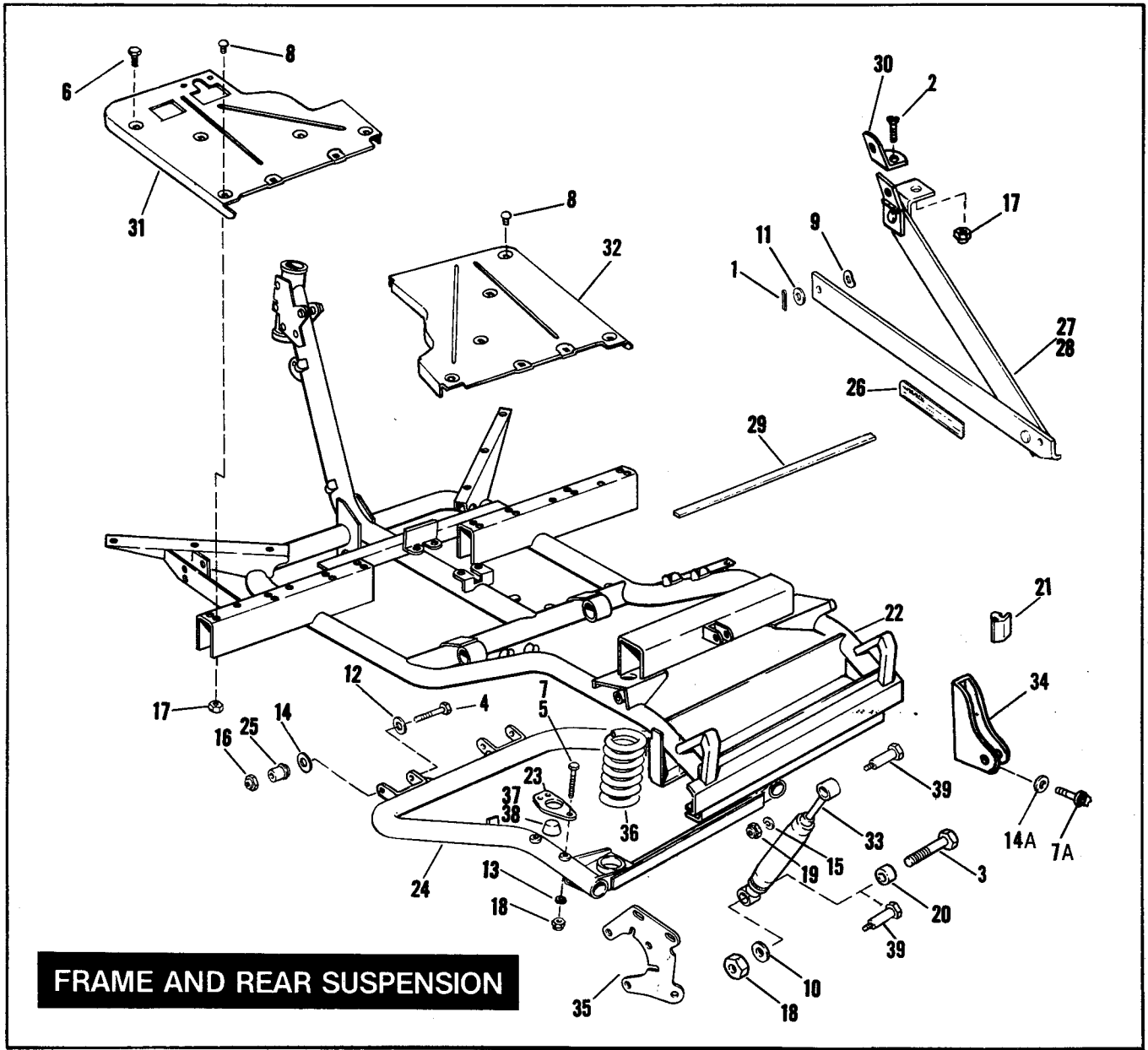
FORK HOUSING, SHIELDS, ACCESSORY PANEL AND CARRY ALL



FORK HOUSING, SHIELDS, ACCESSORY PANEL AND CARRY-ALL

RETAIL PRICE	INDEX NO.	PART NO.	N A M E	USED ON
	1	1719W	SCREW, No. 8-32 x 5/8 Phillips hd.	82 to * — DE3
	1A	2073W	SCREW, No. 4-24 x 1/4 self tapping pan hd.	77 to * — DE3
	2	3491	BOLT, No. 8-32 x 5/8 hex. hd. (12)	77 to * — DE3
	3	3794W	SCREW, 1/4-14 self tapping hex. hd. (tiller) (2)	77 to * — DE3
	4	3960W	BOLT, 5/16-24 x 1 hex. hd.	77 to * — DE3
	5	3987	BOLT, 5/16-18 x 3/4 hex. hd. (steering wheel)	77 to * — DE3
	6	5919	SPACER, accessory panel (steering wheel)	77 to * — DE3
	7	5927	WASHER, 11/32 x 1-1/2 x 3/32 (rubber) (1)	77 to Early 80 — DE3
	8	6150W	WASHER, 3/16 x 3/8 x 1/16 (24)	77 to * — DE3
	9	6192	WASHER, No. 8 x 7/16 x 3/64 (12)	77 to * — DE3
	10	6702	WASHER, 5/16 x 11/16 x 1/16 (2) (steering wheel)	77 to * — DE3
	11	6969	LOCKWASHER, No. 4	77 to * — DE3
	12	7041	LOCKWASHER, 5/16 (2) (steering wheel)	77 to * — DE3
	13	7124	LOCKWASHER, 1/4 internal tooth (2) (tiller)	77 to * — DE3
	14	7416	WASHER, 5/16 x 1-3/8 x 9/32 (rubber)	Late 80 to * — DE3
	15	7609W	LOCKNUT, No. 8-32 x 3/16 x 3/8 hex. (12)	77 to * — DE3
	16	7748W	NUT, 5/16-18 x 1/4 x 1/2 hex. (steering wheel)	77 to * — DE3
	17	8112B	PUSH NUT, carry-all (4)	77 to * — DE3
	18	8321	POP RIVET, nameplate (2)	77 to * — DE3
	18A	8483	POP RIVET (2)	Late 81 to * — DE3
	19	8685	POP RIVET (24)	77 to * — DE3
	20	8692	POP RIVET (2)	80 & Early 81 — DE3
	21	31400—67B	ACCESSORY PANEL (steering wheel)	77 to 79 — DE3
		31404—80	ACCESSORY PANEL (steering wheel)	80 to * — DE3
		31406—67	ACCESSORY PANEL (tiller)	77 to 79 — DE3
		31414—80	ACCESSORY PANEL (tiller)	80 to * — DE3
	22	31407—67	PENCIL AND SCORE CARD CLIP	77 to * — DE3
	23A	31407—80A	SPRING, card holder	77 to * — DE3
	24	31415—67	MOUNTING PLATE (2) (tiller)	77 to * — DE3
	25	31418—67A	PLASTIC COVER	77 to 79 — DE3
	26	31419—67	STUD, accessory panel (steering wheel)	77 to * — DE3
	27	45581—67A	BRACKET, steering head (steering wheel)	77 to * — DE3
	28	46939—80	DECAL, warning	80 to * — DE3
	29	46940—80	DECAL, operating instructions	80 to * — DE3
	30	50253—66B	SHIELD, left	77 to * — DE3
	31	50255—66B	SHIELD, right	77 to * — DE3
	32	50260—66B	FORK HOUSING	77 & 78 — DE3
		50260—79	FORK HOUSING	79 to * — DE3
	33	50302—79	TRIM, front shield (200 ft. roll)	79 to * — DE3
	34	50303—66A	TRIM STRIP, front shield (2)	77 to * — DE3
	35	50304—66	REINFORCEMENT, shields (2)	77 to * — DE3
	36	50528—67A	FLOOR MAT, right shield & floorboard	77 to * — DE3
	37	50529—67B	FLOOR MAT, left shield & floorboard	77 to * — DE3
	38	61253—79A	NAMEPLATE	77 to * — DE3
	39	64001—72A	CARRY-ALL (between seats)	77 to 81 — DE3
		64001—72B	CARRY-ALL (between seats)	82 to * — DE3
	39A	64003—67	CARRY-ALL, right	77 to * — DE3
		64004—67	CARRY-ALL, left	77 to * — DE3
	40	64009—63	PAD, carry-all (2)	77 to * — DE3

NOTE: Asterisk (*) indicates part is used for latest model year shown on cover.



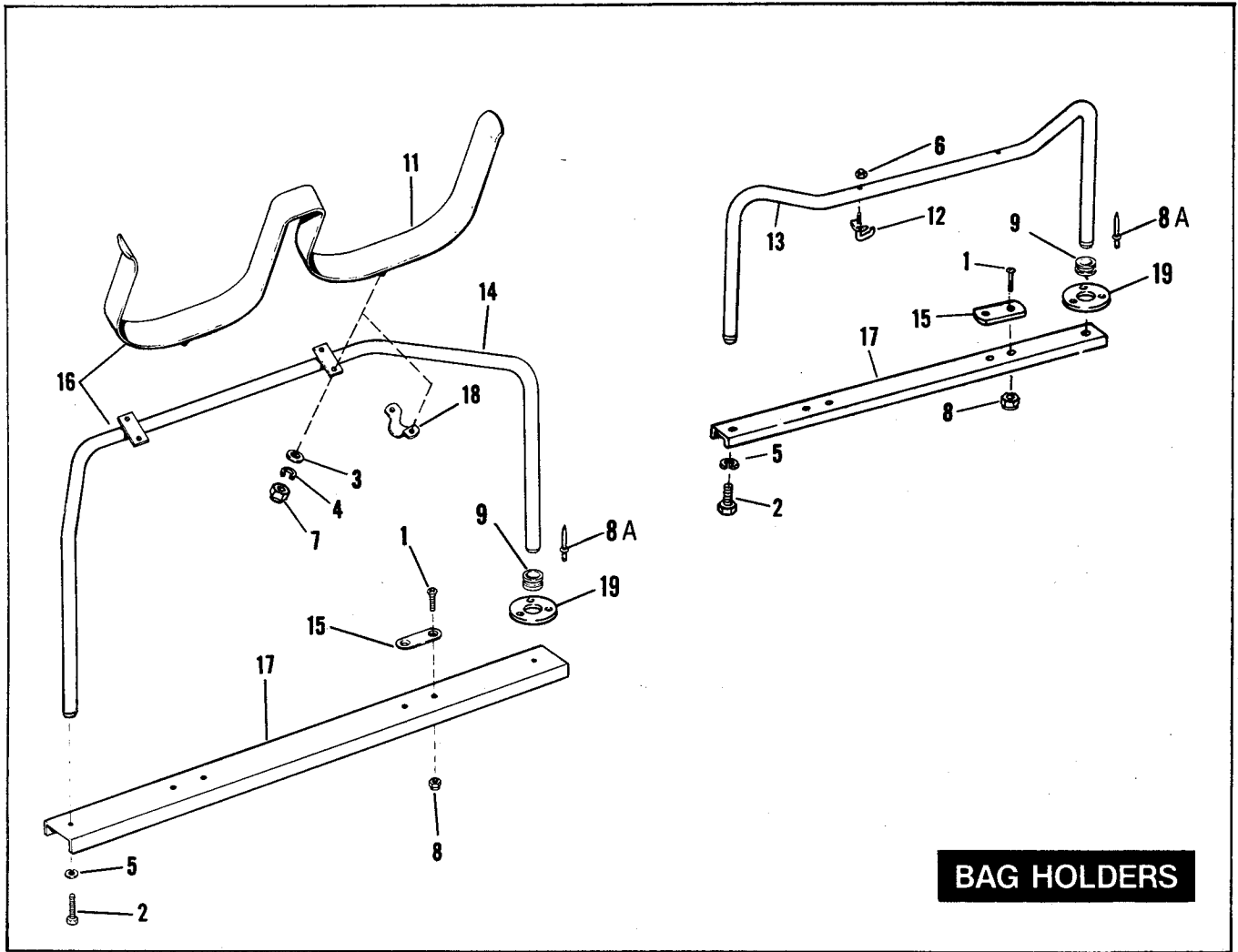
FRAME AND REAR SUSPENSION

FRAME AND REAR SUSPENSION

F10

RETAIL PRICE	INDEX NO.	PART NO.	N A M E	USED ON
	1	515	COTTER PIN, 1/16 x 3/4	77 to * — DE3
	2	1357W	SCREW, 1/4-20 x 7/8 ctsk. oval Pozidriv hd. (4 - early 1980 & earlier) (2 - late 1980 & later)	77 to * — DE3
	3	3945	BOLT, 3/8-24 x 2-1/4 hex. hd.	77 — DE3
	4	3950	BOLT, 1/2-20 x 4-1/4 hex. hd. (2)	77 to * — DE3
	5	4333	BOLT, 3/8-24 x 5 hex. hd. (4)	77 — DE3
	6	4376W	BOLT, 1/4-20 x 7/8 hex. hd. (2)	79 to * — DE3
	7	4434W	BOLT, 3/8-24 x 3-1/4 (4)	79 to * — DE3
	7A	4733	SCREW, 5/16-18 x 1 hex. hd.	82 to * — DE3
	8	5405B	CARRIAGE BOLT, 1/4-20 x 3/4 (14)	77 to * — DE3
	9	6403B	SPRING WASHER, 3/8 x 5/8 x 1/32 (2 - early 1980 & earlier) (1 - late 1980 & later)	77 to * — DE3
	10	6416	WASHER, 3/8 x 1 x 5/64	77 to * — DE3
	11	6440B	WASHER, 13/32 x 5/8 x 1/32 (2 - early 1980 & earlier) (1 - late 1980 & later)	77 to * — DE3
	12	6568B	WASHER, 1/2 x 13/16 x 1/8 (2)	77 to * — DE3
	13	6607W	WASHER, 3/8 x 29/32 x 5/32 (4)	77 — DE3
	14	6684	WASHER, 7/8 x 2-1/8 x 1/32 (nylon) (2)	77 to * — DE3
	14A	6702	WASHER, 5/16 x 11/16 x 1/16	82 to * — DE3
	15	7068	LOCKWASHER, 1/2 (2)	77 to * — DE3
	16	7741	LOCKNUT, 1/2-20 x 1/2 x 3/4 hex. (2)	77 to * — DE3
	17	7742	LOCKNUT, 1/4-20 x 7/32 x 7/16 hex. (18 - early 1980 & earlier) (17 - late 1980 & later)	77 to * — DE3
	18	7775	LOCKNUT, 3/8-24 x 7/16 x 9/16 hex. (5)	77 to * — DE3
	19	7845	NUT, 1/2-20 x 7/16 x 3/4 hex. (2)	77 to * — DE3
	20	24794—67	SPACER, lower shock mount	77 — DE3
	21	44908—74	CUSHION, frame to body — rear (2)	77 to Early 80 — DE3
	22	47098—75A	FRAME	77 to * — DE3
	23	47300—66A	BUMPER PLATE (2)	77 to * — DE3
	24	47457—77	REAR FORK, complete	77 to * — DE3
	25	47524—66	BUSHING, rear fork (2)	77 to * — DE3
	26	50225—73	WARNING LABEL (2)	77 to * — DE3
	27	50243—67	BODY SUPPORT, left	77 to * — DE3
	28	50244—67	BODY SUPPORT, right	77 to Early 80 — DE3
	29	50275—66	BODY CUSHION (2)	77 to * — DE3
	30	50277—67	REINFORCEMENT, body support (2 - early 1980 & earlier) (1 - late 1980 & later)	77 to * — DE3
	31	50514—70	FLOOR PANEL, left	77 to * — DE3
	32	50523—72	FLOOR PANEL, right	77 to * — DE3
	33	54514—73	SHOCK ABSORBER	77 to * — DE3
	34	54524—73	LOWER BRACKET, shock absorber	79 to * — DE3
	35	54524—77	LOWER BRACKET, shock absorber	77 & 78 — DE3
	36	54564—73	REAR SPRING (2)	77 to * — DE3
	37	83004—72	RUBBER BUMPER, front (2)	77 to Early 81 — DE3
	38	83004—80	RUBBER BUMPER, front (2)	Late 81 to * — DE3
	39	85213—42A	SHOULDER BOLT, shock absorber (2)	77 to * — DE3

NOTE: Asterisk (*) indicates part is used for latest model year shown on cover.



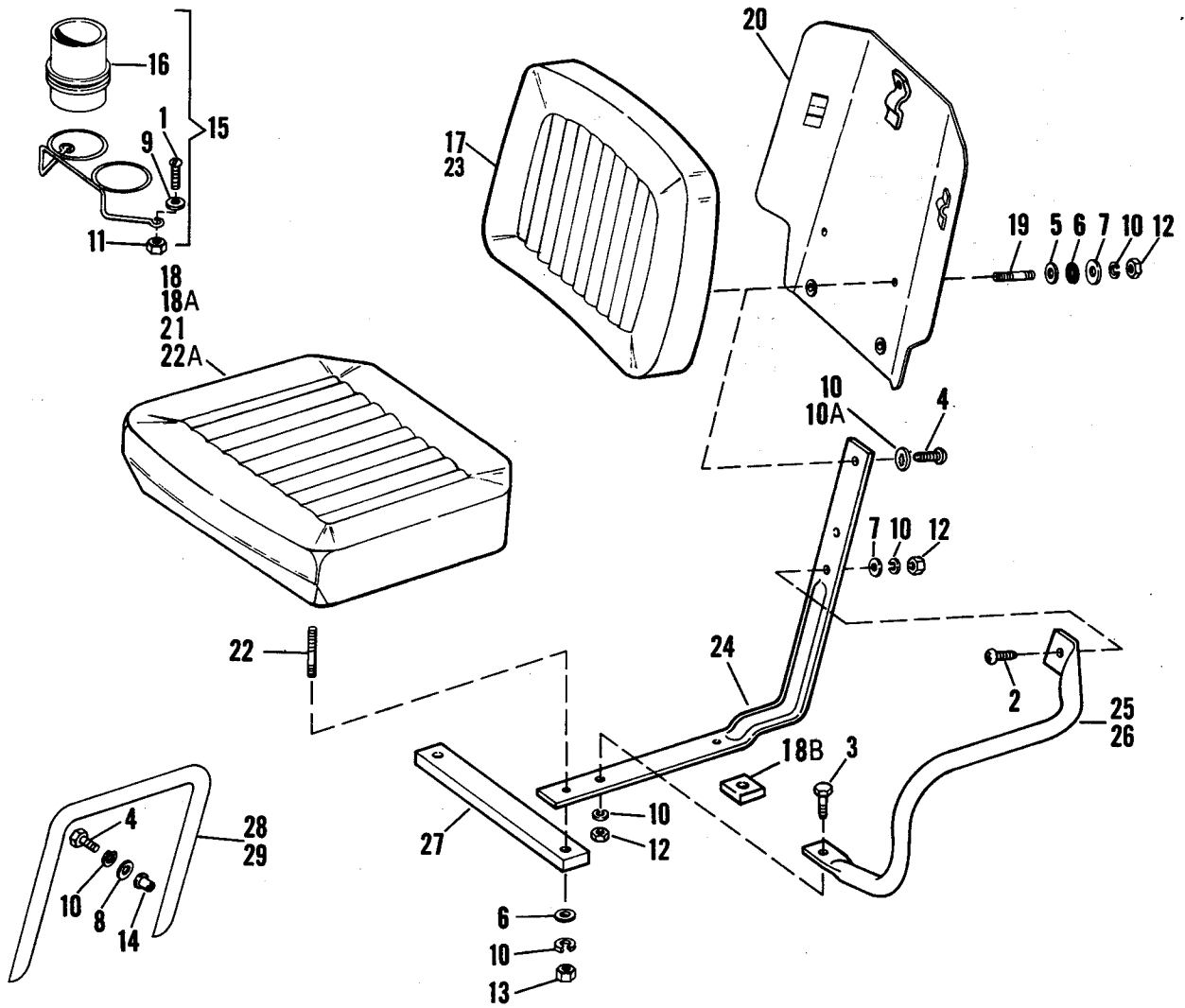
BAG HOLDERS

BAG HOLDERS

RETAIL PRICE	INDEX NO.	PART NO.	N A M E	USED ON
	1	1357W	SCREW, 1/4-20 x 7/8 ctsk. oval Pozidriv hd. (4)	77 to * — DE3
	2	3974HW	BOLT, 5/16-24 x 3/4 hex. hd. (2)	77 to * — DE3
	3	6228W	WASHER, 1/4 x 1/2 x 1/16 steel (4)	79 to * — DE3
	4	7036	LOCKWASHER, 1/4 (4)	77 to * — DE3
	5	7041	LOCKWASHER, 5/16 (2)	77 to * — DE3
	6	7736	ACORN NUT, 5/16-24 x 19/32 x 9/16 hex. (2)	77 to * — DE3
	7	7737W	ACORN NUT, 1/4-20 x 15/32 x 7/16 hex. (4)	77 to * — DE3
	8	7742	LOCKNUT, 1/4-20 x 7/32 x 7/16 hex. (4)	77 to * — DE3
	8A	8321	POP RIVET (6)	82 to * — DE3
	9	11417	GROMMET, bag rack (2)	77 to * — DE3
	11	53470-71	CARRIER, bag holder	77 to * — DE3
	12	53487-65	HOOK, bag holder (2)	77 to * — DE3
	13	53488-67	BAG HOLDER (less hooks)	77 to * — DE3
	14	53488-71	BAG HOLDER (cradle type)	77 to * — DE3
	15	53491-65	REINFORCEMENT (2)	77 to * — DE3
	16	53493-71	BAG HOLDER, complete (cradle type)	77 to * — DE3
	17	53496-67	BRACKET, bag holder	77 to * — DE3
	18	53498-71	SUPPORT BRACKET, bag holder (2)	77 to Early 79 — DE3
	19	53547-82	REINFORCEMENT RING (2)	82 to * — DE3

NOTE: Asterisk (*) indicates part is used for latest model year shown on cover.

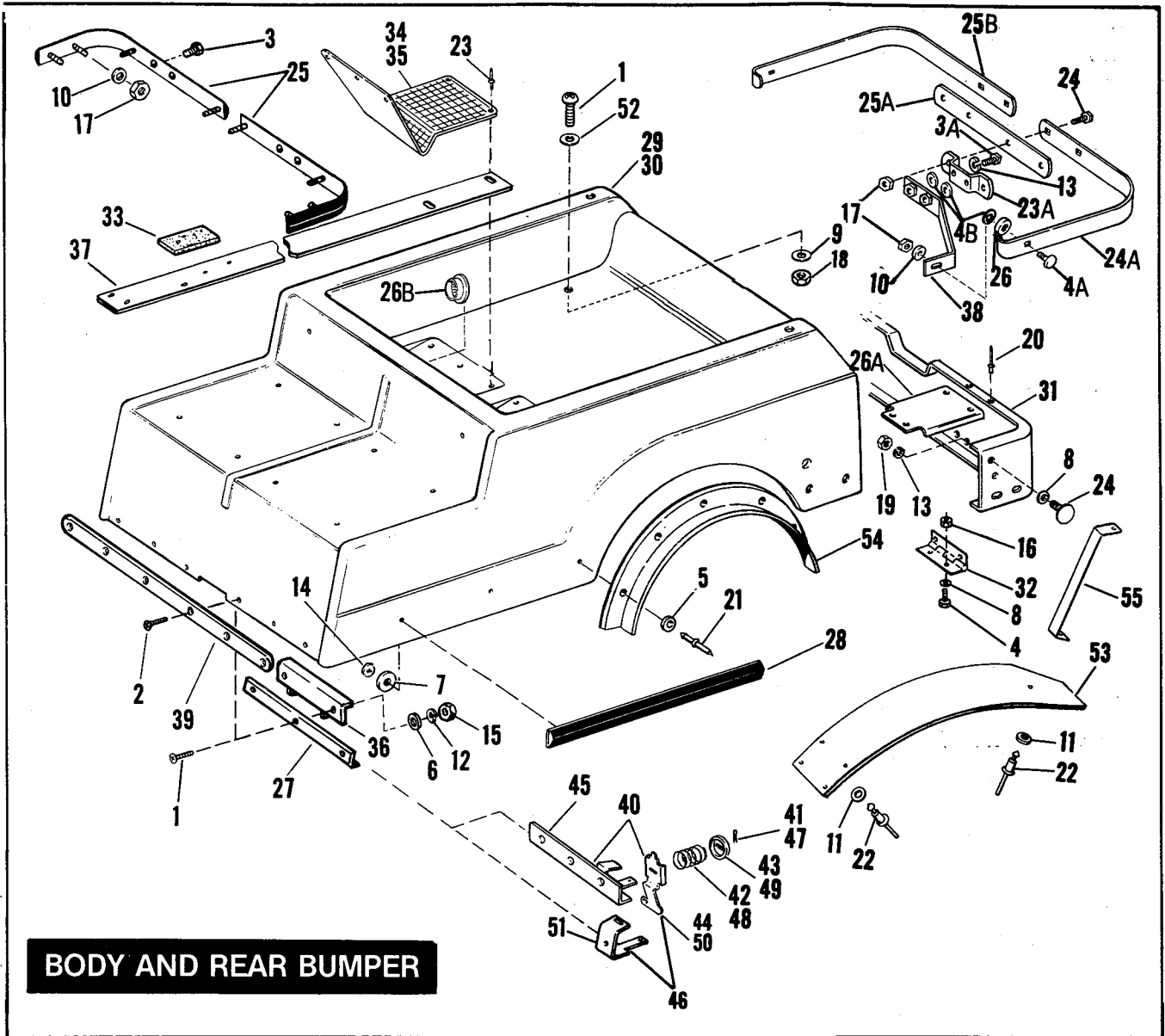
SEAT, HANDRAIL AND BEVERAGE HOLDER



SEAT, HANDRAIL AND BEVERAGE HOLDER

RETAIL PRICE	INDEX NO.	PART NO.	NAME	USED ON
	1	2741	SCREW, 5/16-24 x 1-3/16 rd. hd. (2)	77 to * — DE3
	2	2871W	SCREW, 5/16-18 x 1-1/4 hex. hd. (4)	81 to * — DE3
	3	3987	BOLT, 5/16-18 x 3/4 hex. hd. (2)	81 to * — DE3
	4	4017	BOLT, 5/16-18 x 1 hex. hd. (6 - custom seat) (8 - standard seat)	77 to * — DE3
	5	6107B	WASHER, 5/16 x 11/16 x 1/8 (8)	77 & 78 — DE3
	6	6266	WASHER, 5/16 x 7/8 x 1/8 (rubber) (8 - custom seat) (4 - standard seat)	77 to * — DE3
	7	6332B	WASHER, 5/16 x 15/16 x 1/16 (8 - custom seat) (4 - standard seat)	77 to * — DE3
	8	6341B	WASHER, 15/16 x 1-1/8 x 1/16 (6)	77 to * — DE3
	9	6702	WASHER, 5/16 x 11/16 x 1/16 (6 - custom seat) (10 - standard seat)	77 to * — DE3
	10	7041	LOCKWASHER, 5/16 (22 - custom seat) (14 - standard seat)	77 to * — DE3
10A	7127		LOCKWASHER, 5/16 internal tooth (8 - standard seat)	81 to * — DE3
11	7725		LOCKNUT, 5/16-24 x 11/32 x 1/2 hex. (2)	77 to * — DE3
12	7748W		NUT, 5/16-18 x 1/4 x 1/2 hex. (8 - custom seat) (6 - standard seat)	77 to * — DE3
13	7753		NUT, 5/16-24 x 1/4 x 1/2 hex. (8 - custom and standard seats)	77 to * — DE3
14	8206W		RIVNUT, handrail (6)	77 to 80 — DE3
15	31405-70		BEVERAGE HOLDER KIT	77 to * — DE3
16	31411-65		CUP, beverage holder (2)	77 to * — DE3
17	52049-75A		SEAT BACK PAD, custom seat	77 to * — DE3
18	52051-75A		SEAT CUSHION, custom seat	77 to * — DE3
	52054-65A		CANVAS SEAT COVER (covers both seats)	77 to * — DE3
18A	52058-75A		SEAT CUSHION, seat brake (use with other custom seat components on golf cars with seat brake)	77 to * — DE3
18B	52061-82		SPACER BLOCK, for seat brake cushion only (2)	82 to * — DE3
19	52082-72		STUD, seat back pad, 5/16-18 x 5/16-24 x 1-5/16 (4 - custom seat)	77 to * — DE3
20	52088-72		SEAT FRAME, custom seat	77 to * — DE3
21	52095-81		SEAT CUSHION (standard seat, right side)	81 to * — DE3
22	52107-72		STUD, seat bottom cush. 5/16-18 x 5/16-24 x 2-3/8 (8 - custom and standard seats)	77 to * — DE3
22A	52110-82		SEAT CUSHION, seat brake	82 to * — DE3
	52134-72A		COVER, seat bottom cushion	77 to * — DE3
	52135-72A		COVER, seat back pad	77 to * — DE3
23	52165-81		SEAT BACK PAD (2 - standard seat)	77 to 81 — DE3
	52165-81A		SEAT BACK PAD (2 - standard seat)	82 to * — DE3
24	52187-81		SUPPORT, seat back pad (4 - standard seat)	77 to 81 — DE3
	52187-81A		SUPPORT, seat back pad (4 - standard seat)	82 to * — DE3
25	52188-81		HANDRAIL, right (standard seat)	81 to * — DE3
26	52189-81		HANDRAIL, left (standard seat)	81 to * — DE3
27	52328-81		SPACER BLOCK (4 - standard seat, 3-seat brake)	81 to * — DE3
28	52630-72		HANDRAIL, right (custom seat)	77 to * — DE3
29	52631-72		HANDRAIL, left (custom seat)	77 to * — DE3

NOTE: Asterisk (*) indicates part is used for latest model year shown on cover.



BODY AND REAR BUMPER

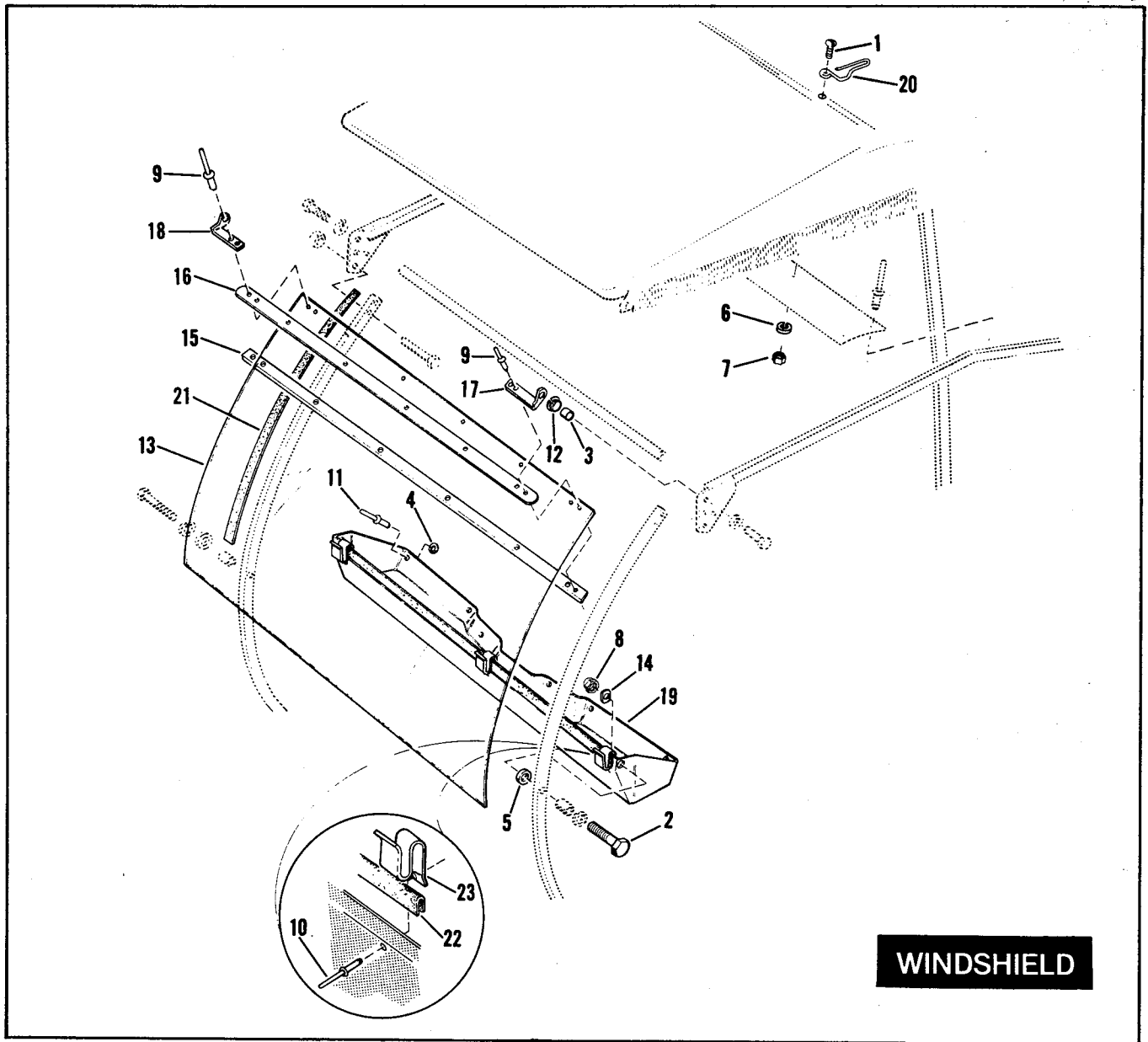
F14-1

RETAIL PRICE	INDEX NO.	PART NO.	NAME	USED ON
	1	2420	SCREW, 1/4-20 x 3/4 Pozidriv truss hd. (7)	Late 80 to * — DE3
	2	2648	SCREW, 1/4-20 x 1 Pozidriv truss hd. (6)	77 to Early 80 — DE3
	3	2784	SCREW, 5/16-18 x 7/8 truss hd. (4)	80 & Early 81 — DE3
	3A	4017	BOLT, 5/16-18 x 1 hex. hd. (4)	81 to * — DE3
	4	4391	BOLT, 5/16-24 x 5/8 hex. hd. (4)	77 to * — DE3
	4A	5450C	CARRIAGE BOLT, 5/16-18 x 1-1/2 (2)	Late 81 to * — DE3
	4B	5927	WASHER, 5/16 x 1-1/2 x 3/32 rubber (6)	Late 81 to * — DE3
	5	6182W	WASHER, 3/16 x 7/16 x 1/32 (12)	77 to * — DE3
	6	6242W	WASHER, 1/4 x 9/16 x 1/32 (6)	77 to Early 80 — DE3
	7	6257W	WASHER, 1/4 x 1-3/8 x 1/16 (8 - Early 1980 & earlier) (6 - Late 1980 & later)	77 to * — DE3
	8	6266	WASHER, 5/16 x 7/8 x 1/8 (rubber) (2)	77 to Early 81 — DE3
	9	6332B	WASHER, 5/16 x 15/16 x 1/16	Late 80 to * — DE3
	10	6702	WASHER, 5/16 x 11/16 x 1/16 (8 - 77 to Early 81) 2 - Late 81 and Later)	77 to * — DE3
	11	6716	WASHER, No. 10 x 1/2 x 3/64 (12)	77 to * — DE3
	12	7036	LOCKWASHER, 1/4 (6)	77 to * — DE3
	13	7041	LOCKWASHER, 5/16 (2 - 77 to Early 81) (4 - 81 and later)	77 to * — DE3

NOTE: Asterisk (*) indicates part is used for latest model year shown on cover.

BODY AND REAR BUMPER (CONT'D.)

RETAIL PRICE	INDEX NO.	PART NO.	NAME	USED ON
	14	7686	LOCKNUT, 1/4-20 x 5/16 x 7/16 hex. (8)	77 to Early 80 — DE3
	15	7688	NUT, 1/4-20 x 7/32 x 7/16 hex. (6)	77 to * — DE3
	16	7727	LOCKNUT, 5/16-24 x 1/4 x 1/2 hex. (4)	77 to * — DE3
	17	7740	LOCKNUT, 5/16-18 x 1/4 x 1/2 hex. (8 - 77 to Early 81) (6 - Late 81 and Later)	77 to * — DE3
	18	7742	LOCKNUT, 1/4-20 x 7/32 x 7/16 hex.	Late 80 to * — DE3
	19	7748W	NUT, 5/16-18 x 1/4 x 1/2 hex. (2)	77 to Early 81 — DE3
	20	8528W	POP RIVET, 3/16 x 3/8 x 3/8 dia. hd. (4)	77 to Early 81 — DE3
	21	8641B	POP RIVET, 3/16 x 5/8 x 3/8 dia. hd. (black alum.) (12)	77 to * — DE3
	22	8689	POP RIVET, 3/16 x 3/8 x 3/8 dia. hd. (12)	77 to * — DE3
	23	8692	POP RIVET, 5/32 x 3/8 x 5/16 dia. hd. (10)	77 to * — DE3
	23A	44911—63	BRACKET, rear bumper (2)	Late 81 to * — DE3
	24	44912—63A	CARRIAGE BOLT, 5/16-18 x 1-1/18 (2 - 77 to Early 81) (4 - Late 81 & Later)	77 to * — DE3
	24A	44913—63B	BUMPER, left rear	Late 81 to * — DE3
	25	44913—74A	BUMPER (2)	77 to Early 81 — DE3
	25A	44914—63A	BUMPER, center rear	Late 81 to * — DE3
	25B	44915—63B	BUMPER, right rear	Late 81 to * — DE3
	26	44918—74	BRACKET, rear bumper (2)	77 to Early 81 — DE3
	26A	44917—63	SPACER, bumper (2)	Late 81 to * — DE3
	26B	50216—81	VENT, air	81 to * — DE3
	27	50241—67	BODY SUPPORT, front (1 - early 1980 & earlier) (2 - late 1980 & later)	77 to * — DE3
	28	50252—74	BODY TRIM (2)	77 to 80 — DE3
	28A	50258—81	BODY ASSEMBLY (use with standard seats)	Late 81 to * — DE3
		50259—81	BODY ASSEMBLY (use with custom seats)	Late 81 to * — DE3
	29	50263—74A	BODY ASSEMBLY	77 to 80 — DE3
	30	50269—81	BODY ASSEMBLY	Early 81 — DE3
		50269—82	BODY ASSEMBLY	82 to * — DE3
	31	50270—74	BODY REINFORCEMENT, rear	77 to Early 81 — DE3
	32	50271—65	BODY HINGE (2)	77 to * — DE3
	33	50275—67	PAD, reinforcement strap (2)	77 to * — DE3
	34	50278—67A	MAT, bag well — right	77 to * — DE3
	35	50279—67A	MAT, bag well — left	77 to * — DE3
		50280—63A	GOLF CAR CANVAS COVER (for cars w/tiller)	77 to * — DE3
		50281—67	GOLF CAR CANVAS COVER (for cars w/steering wheel)	77 to * — DE3
	36	50340—67	REINFORCEMENT BRACKET	77 to * — DE3
	37	50346—67A	REINFORCEMENT STRAP, body (2)	77 & 78 — DE3
		50346—79A	REINFORCEMENT STRAP, body (2)	79 to * — DE3
	38	50347—69	BRACKET, body reinforcement (2)	77 to 79 — DE3
		50347—80	BRACKET, body reinforcement (2)	80 to * — DE3
	39	50349—71	REINFORCEMENT STRIP, body front	77 to Early 80 — DE3
	40	52057—72	BODY LATCH ASSEMBLY	77 to Early 80 — DE3
			Consists of:	
	41	559	COTTER PIN, body latch spring collar, 1/8 x 1-1/4	
	42	41049—70	SPRING, body latch	
	43	52042—72	COLLAR, body latch spring	
	44	52052—72	LEVER, body latch	
	45	52059—72	SUPPORT, body latch	
	46	52085—80	BODY LATCH ASSEMBLY	Late 80 to * — DE3
			Consists of:	
	47	559	COTTER PIN, body latch spring collar, 1/8 x 1-1/4	
	48	41049—70	SPRING, body latch	
	49	52042—72	COLLAR, body latch spring	
	50	52052—72	LEVER, body latch	
	51	52136—80	SUPPORT, body latch	
	52	53240—72	WASHER, 1/4 x 7/8 x 3/32	Late 80 & Early 81 — DE3
	53	59598—69	SPLASH GUARD (2)	77 to * — DE3
	54	59607—64A	REAR SPLASH GUARD KIT	77 to * — DE3
	55	59794—69A	BRACKET, splash guard (2)	77 to * — DE3

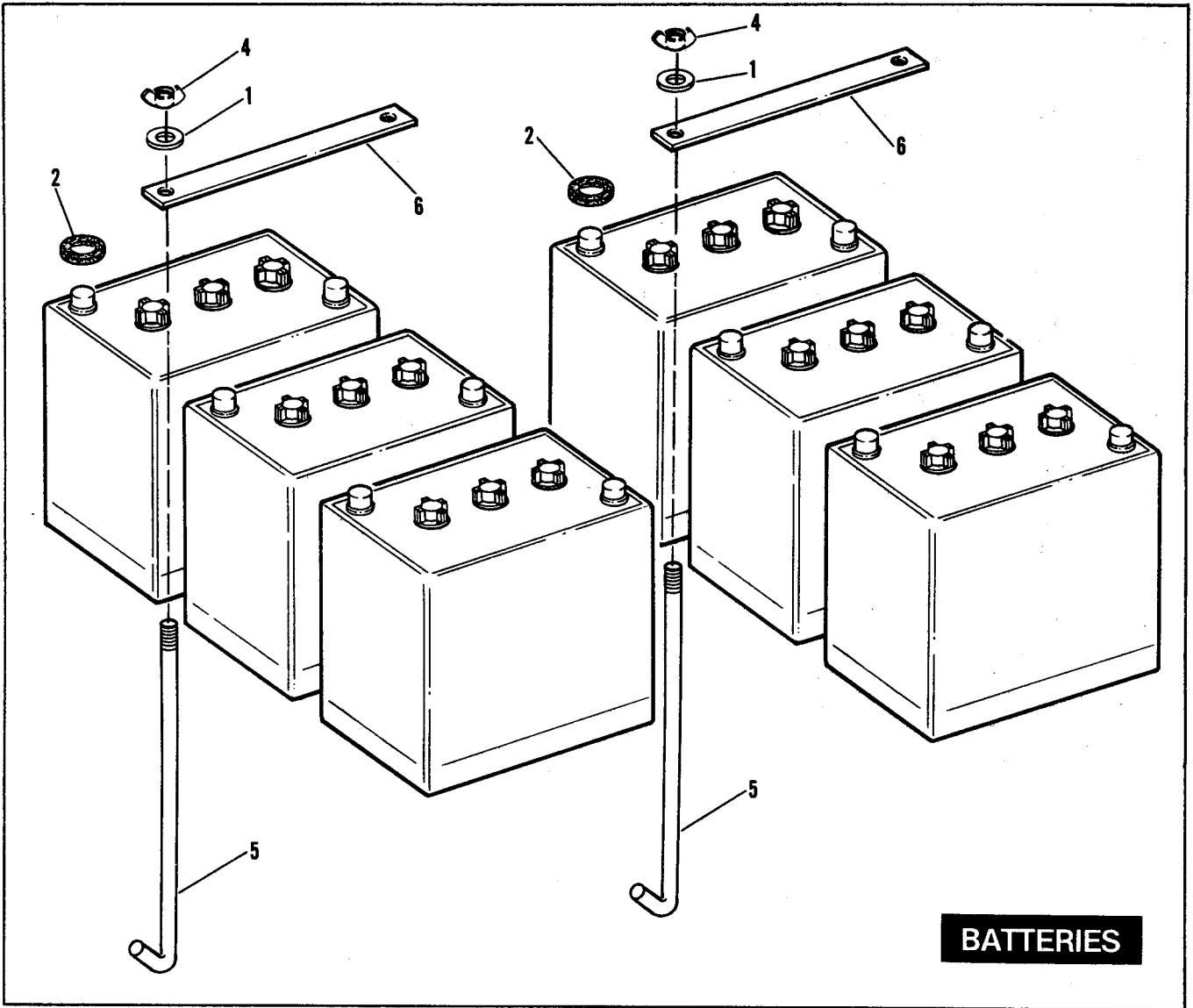


WINDSHIELD

F15

RETAIL PRICE	INDEX NO.	PART NO.	N A M E	USED ON
	1	2612	SCREW, No. 8-32 x 1/2 Pozidriv pan hd. (2)	77 to * — DE3
	2	4036	BOLT, 5/16-24 x 1-1/2 hex. hd. (2)	77 to * — DE3
	3	5965B	SPACER, pivot bushing (2)	77 to * — DE3
	4	6150W	WASHER, 3/16 x 3/8 x 1/16 (6)	77 to * — DE3
	5	6266	WASHER, 5/16 x 7/8 x 1/8 (rubber) (2)	77 to * — DE3
	6	7015	LOCKWASHER, No. 8 (2)	77 to * — DE3
	7	7608	NUT, No. 8-32 x 1/8 x 11/32 hex. (2)	77 to * — DE3
	8	7725	LOCKNUT, 5/16-24 x 11/32 x 1/2 hex. (2)	77 to * — DE3
	9	8212	POP RIVET (8)	77 to * — DE3
	10	8528W	POP RIVET, 3/16 x 3/8 x 3/8 dia. hd. (3)	77 to * — DE3
	11	8685	POP RIVET, 3/16 x 1/2 x 3/8 dia. hd. (aluminum) (6)	77 to * — DE3
	12	40522—63	PIVOT BUSHING, windshield (2)	77 to * — DE3
		58011—74	WINDSHIELD ASSEMBLY	77 to * — DE3
	13	58012—74	WINDSHIELD, only	77 to * — DE3
	14	58032—74	REINFORCEMENT, garment box — front (2)	77 to * — DE3
	15	58034—74	REINFORCEMENT	77 to * — DE3
	16	58054—74	STRIP, front	77 to * — DE3
	17	58059—74	BRACKET, upper left	77 to * — DE3
	18	58060—74	BRACKET, upper right	77 to * — DE3
	19	58103—74	GARMENT BOX ASSEMBLY	77 to * — DE3
	20	58105—74	CLIP, windshield storage (2)	77 to * — DE3
	21	58108—74	TAPE, windshield (2)	77 to * — DE3
	22	58174—74	TRIM STRIP, garment box	77 to * — DE3
	23	58175—74	CLIP, garment box (3)	77 to * — DE3

NOTE: Asterisk (*) indicates part is used for latest model year shown on cover.

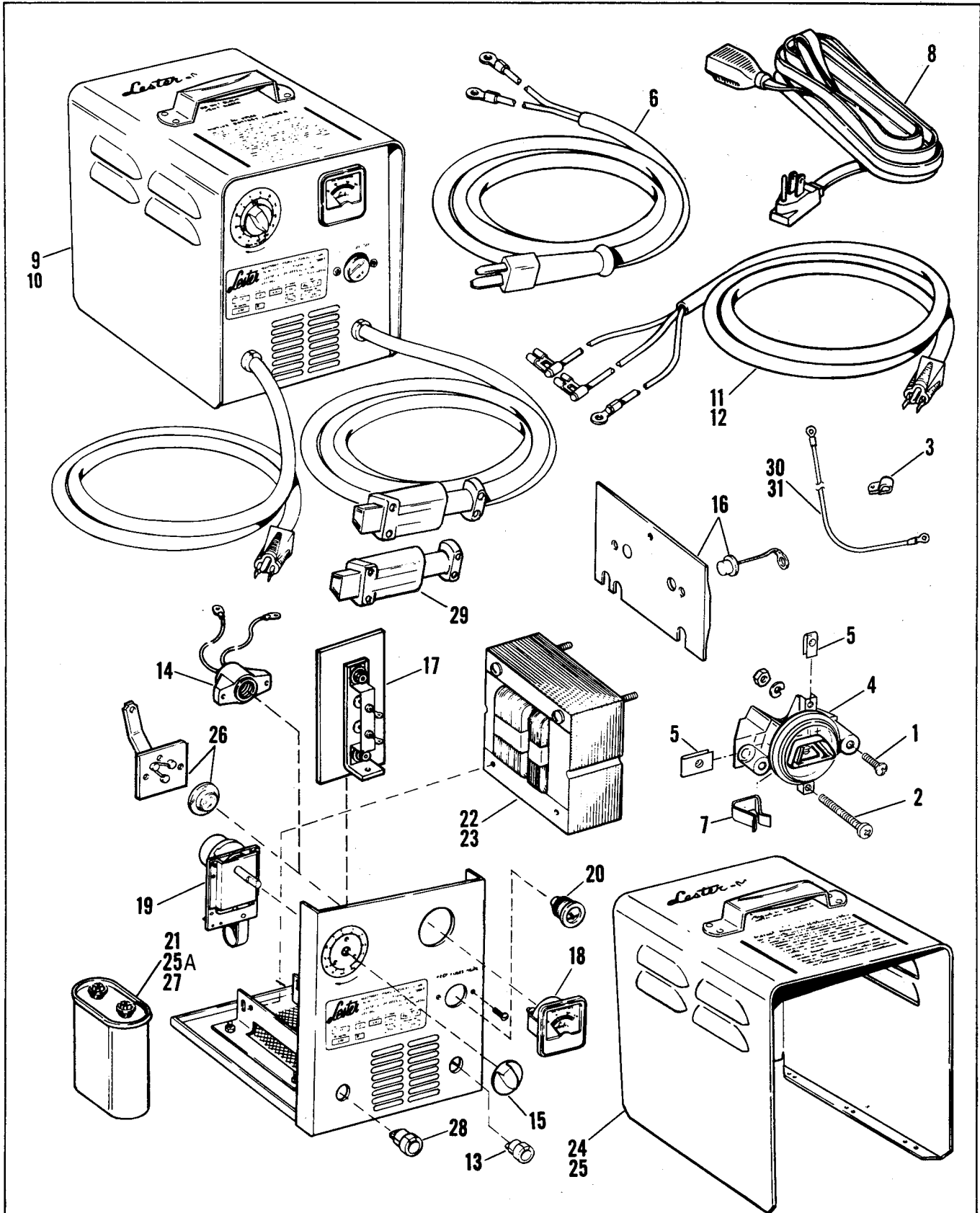


BATTERIES

BATTERIES

RETAIL PRICE	INDEX NO.	PART NO.	N A M E	USED ON
	1	6703	WASHER, 1/4 x 5/8 x 1/16 (8).....	77 to * - DE3
	2	43733-47	FELT WASHER (12)	77 to * - DE3
	4	66387-64	WING NUT, hold-down rods (8)	77 to * - DE3
	5	66453-66	HOLD-DOWN ROD (8).....	77 to * - DE3
	6	66462-66A	HOLD-DOWN BAR (4).....	77 to * - DE3

NOTE: Asterisk (*) indicates part is used for latest model year shown on cover.

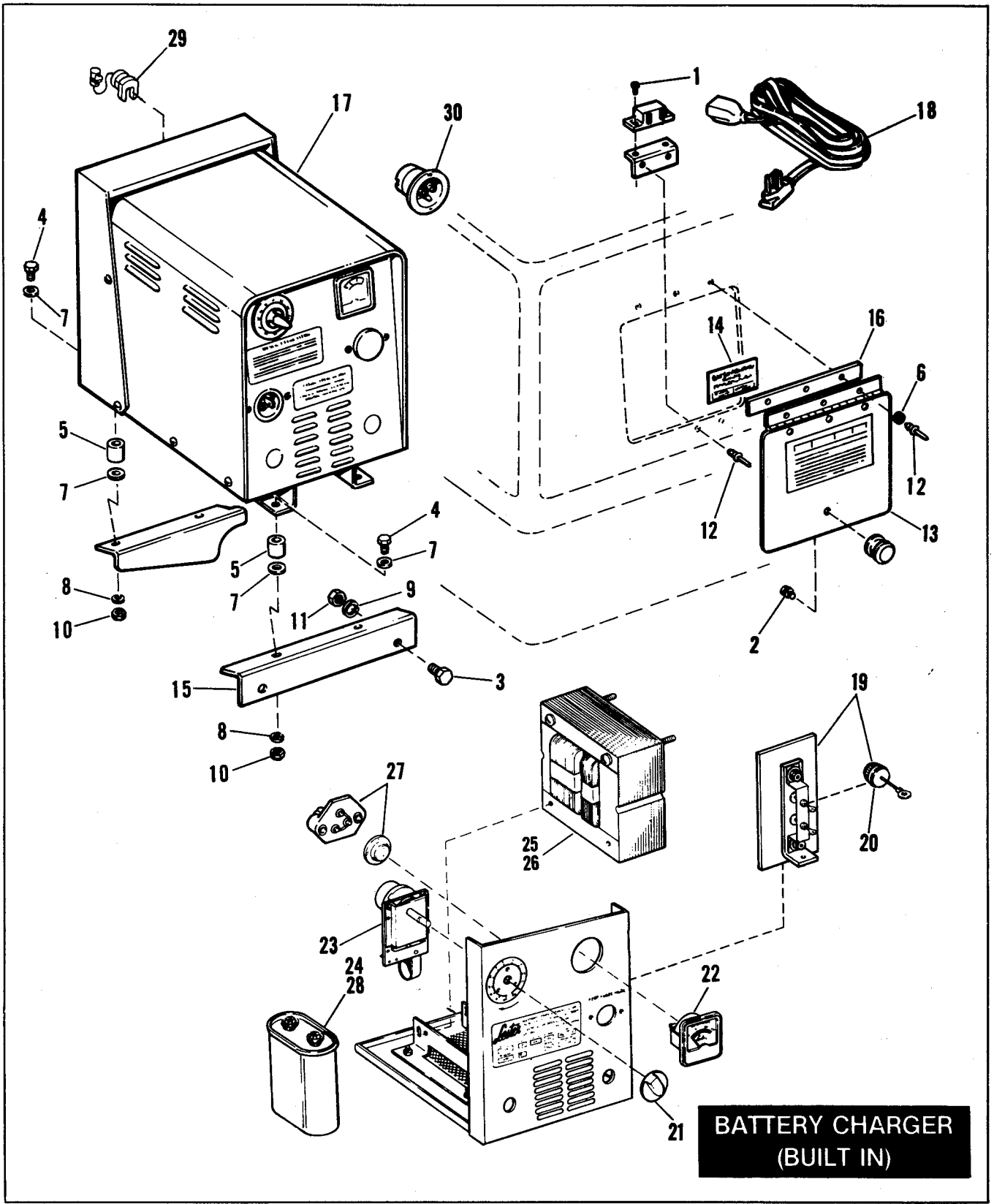


BATTERY CHARGER

BATTERY CHARGER (PORTABLE)

RETAIL PRICE	INDEX NO.	PART NO.	N A M E	USED ON
	1	2888	SCREW, No. 8-32 x 1/2 Pozidriv truss hd. (2)	77 to * — DE3
	2	2813	SCREW, No. 8-32 x 1-1/2 Pozidriv truss hd. (2)	77 to * — DE3
	3	38712—68	CLAMP, diode to receptacle cable	77 to * — DE3
	4	66036—72	CHARGER PLUG RECEPTACLE (for D.C. cable)	77 to * — DE3
	5	66043—72	SPEED NUT, charger plug receptacle (4)	77 to Early 79 — DE3
	6	66063—69B	D.C. CABLE AND PLUG (two prong)	77 to * — DE3
	7	66070—72	SPRING CLIP, charger plug receptacle	77 & 78 — DE3
	8	66493—67	A.C. EXTENSION CORD (three prong)	77 to * — DE3
	9	66500—69	BATTERY CHARGER (Canada)	80 to * — DE3
	10	66500—75	BATTERY CHARGER, portable 36 V. (Lester-matic)	77 to * — DE3
	11	66501—69	A.C. CABLE AND PLUG (Canada)	80 to * — DE3
	12	66501—76	A.C. CABLE AND PLUG (three prong)	77 to * — DE3
	13	66502—69	BUSHING, D.C. cable (2 used for Canada)	77 to * — DE3
	14	66503—69	FUSE RECEPTACLE (2) (Canada)	80 to * — DE3
	15	66504—69	TIMER KNOB	77 to * — DE3
	16	66505—69	HEAT SINK WITH DIODE (Canada)	80 to * — DE3
	17	66505—76	HEAT SINK WITH DIODE	77 to * — DE3
	18	66506—69	AMMETER	77 to * — DE3
	19	66507—69	TIMER	77 to * — DE3
	20	66508—69	FUSE (Canada) (2)	80 to * — DE3
	21	66509—69	CAPACITOR, 20.5 mfd. (Canada)	80 to * — DE3
	22	66512—76	TRANSFORMER	77 to * — DE3
	23	66512—69	TRANSFORMER (Canada)	80 to * — DE3
	24	66513—69	CASE, battery charger (Canada)	80 to * — DE3
	25	66513—76	CASE, battery charger	77 to * — DE3
	25A	66514—69	CAPACITOR, 0.5 mfd.	80 to * — DE3
	26	66515—76	FUSE ASSEMBLY	77 to * — DE3
	27	66516—76	CAPACITOR, 6 mfd.	77 to * — DE3
	28	66517—76	BUSHING, A.C. cable	77 to * — DE3
	29	66518—76	PLUG, D.C. cable (replacement)	77 to * — DE3
	30	70406—72	WIRE, right solenoid (B) to charger plug (red)	77 to * — DE3
	31	70407—72	WIRE, left diode to charger plug (black)	77 to * — DE3

NOTE: Asterisk (*) indicates part is used for latest model year shown on cover.

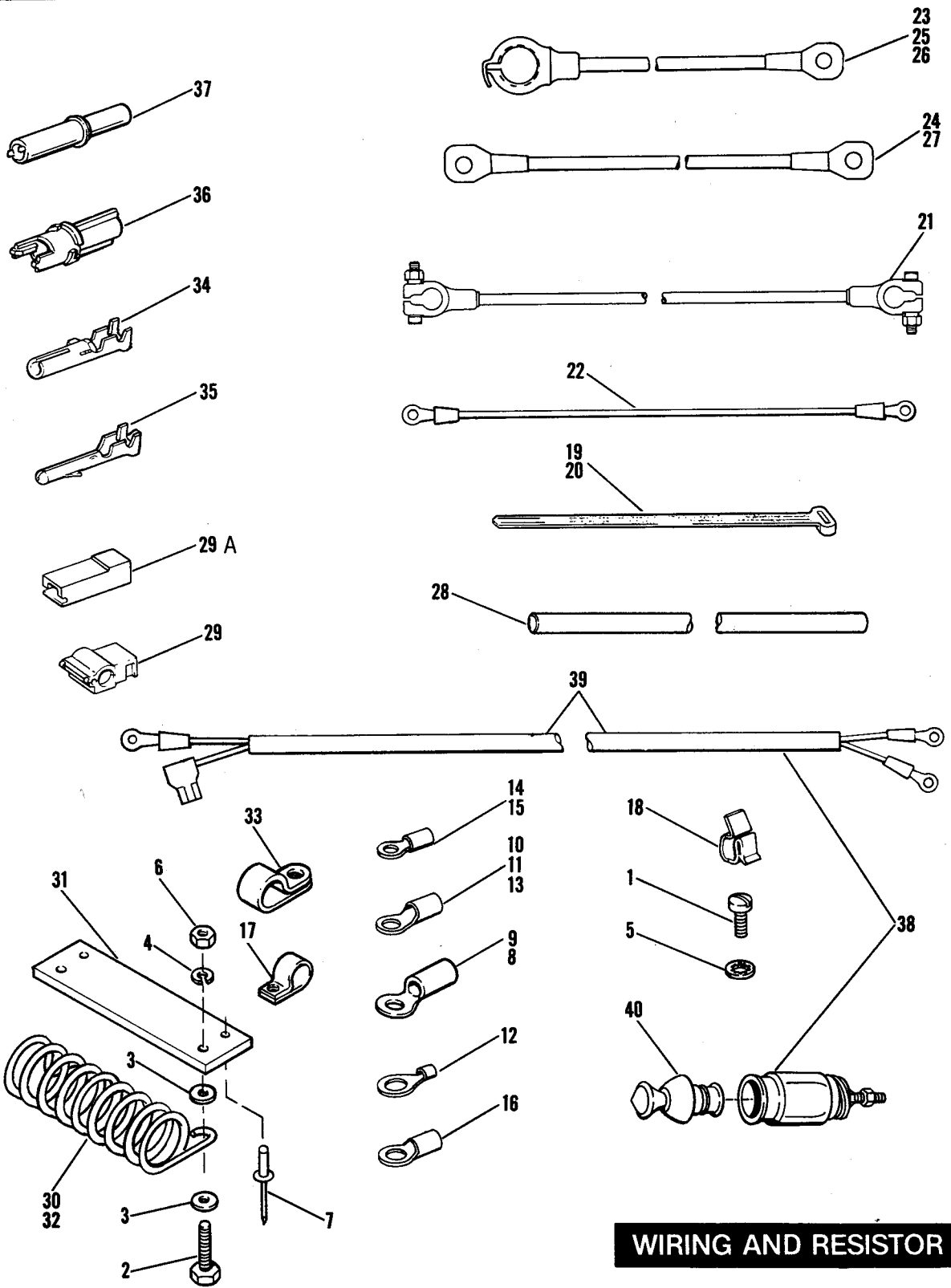


BATTERY CHARGER (BUILT IN)

F18A

RETAIL PRICE	INDEX NO.	PART NO.	N A M E	USED ON
	1	2637	SCREW, No. 4-24 x 3/8 Phillips hd. (2)	80 to * — DE3
	2	2885M	SCREW, No. 8-32 x 5/16 Pozidriv pan. hd.	80 to * — DE3
	3	3974HW	BOLT, 5/16-24 x 3/4 hex. hd. (2)	80 to * — DE3
	4	4036	BOLT, 5/16-24 x 1-1/2 hex. hd.	80 to * — DE3
	5	5940	SPACER (4)	80 to * — DE3
	6	6189W	WASHER, 5/32 x 13/32 x 1/32 (3)	80 to * — DE3
	7	6703	WASHER, 1/4 x 5/8 x 1/16 (8)	80 to * — DE3
	8	7036	LOCKWASHER, 1/4 (4)	80 to * — DE3
	9	7041	LOCKWASHER, 5/16 (2)	80 to * — DE3
	10	7688	NUT, 1/4-20 x 7/32 x 7/16 hex. (4)	80 to * — DE3
	11	7753	NUT, 5/16-24 x 1/4 x 1/2 hex. (2)	80 to * — DE3
	12	8690	POP RIVET, 5/32 x 3/8 x 5/16 (2)	80 to * — DE3
	13	50110-69	DOOR ASSEMBLY Consists of: 6189W WASHER, 5/32 x 13/32 x 1/32 (3) 8690 POP RIVET, 5/32 x 3/8 x 5/16 (2)	
	14	66030-67	LABEL	80 to * — DE3
	15	66434-69A	BRACKET, front	80 to * — DE3
	16	66474-69	GASKET, door hinge	80 to * — DE3
	17	66491-80	BATTERY CHARGER	80 to * — DE3
	18	66493-67	EXTENSION CORD, 15 ft.	80 to * — DE3
	19	66494-80	HEAT SINK WITH DIODE	80 to * — DE3
	20	66495-80	DIODE	80 to * — DE3
	21	66504-69	TIMER KNOB	80 to * — DE3
	22	66506-69	AMMETER	80 to * — DE3
	23	66507-69	TIMER	80 to * — DE3
	24	66509-69	CAPACITOR, 20.5 mfd. (Canada)	80 to * — DE3
	25	66512-69	TRANSFORMER (Canada)	80 to * — DE3
	26	66512-76	TRANSFORMER	80 to * — DE3
	27	66515-76	FUSE ASSEMBLY	80 to * — DE3
	28	66516-76	CAPACITOR, 6 mfd.	80 to * — DE3
	29	66517-76	BUSHING, A.C. cable	80 to * — DE3
	30	66520-72	RECEPTACLE, (A.C. input)	80 to * — DE3

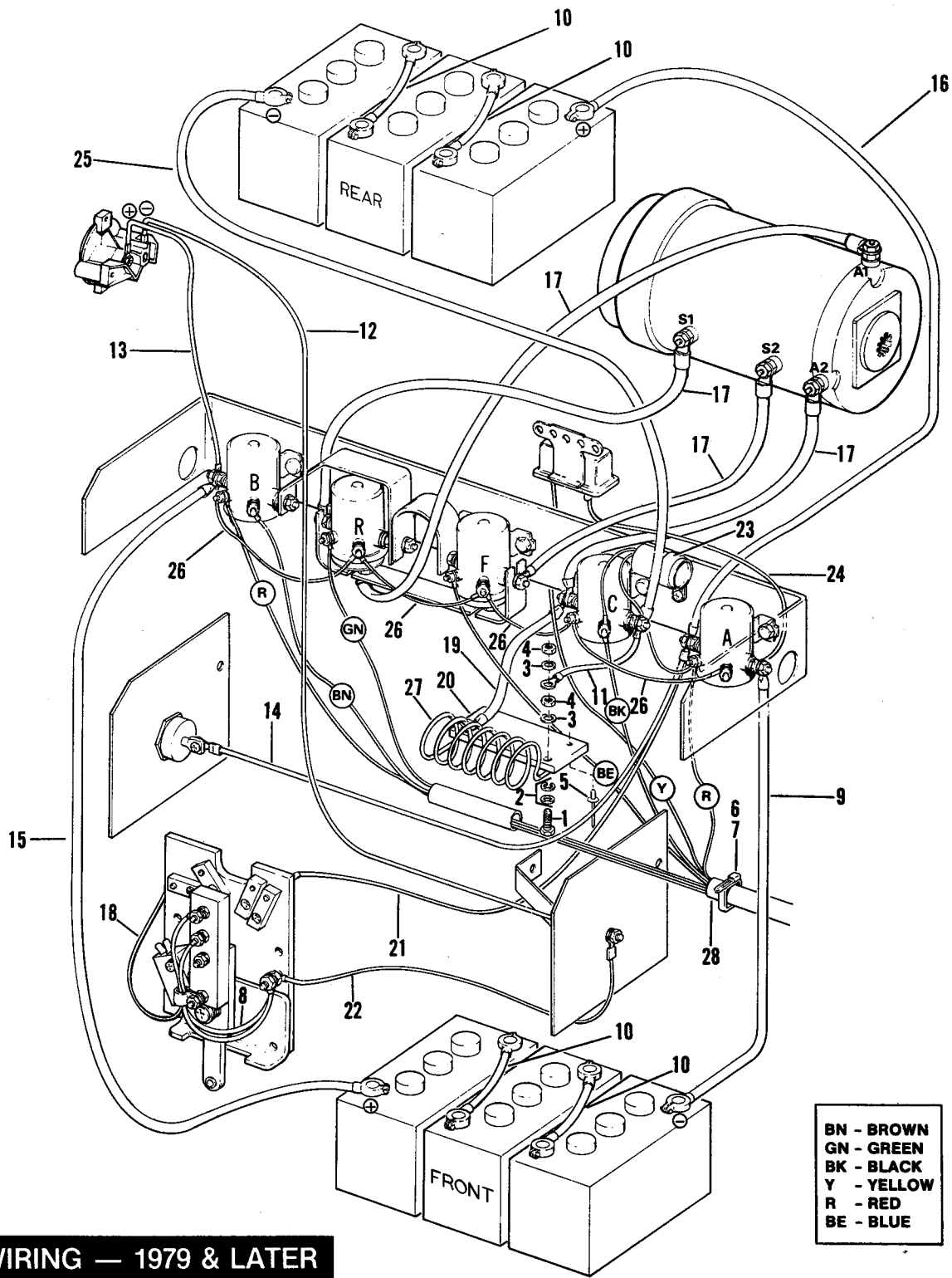
NOTE: Asterisk (*) indicates part is used for latest model year shown on cover.



WIRING AND RESISTOR

RETAIL PRICE	INDEX NO.	PART NO.	N A M E	USED ON
	1	1183	SCREW, No. 10-32 x 5/16 fil. hd.	77 to * — DE3
	2	2871W	BOLT, 5/16-18 x 1-1/4 hex. hd. (2)	77 to * — DE3
	3	6702	WASHER, 5/16 x 11/16 x 1/16 (4)	77 to * — DE3
	4	7041	LOCKWASHER, 5/16 (4)	77 to * — DE3
	5	7118	LOCKWASHER, No. 10 internal tooth	77 to * — DE3
	6	7748W	NUT, 5/16-18 x 1/4 x 1/2 hex. (4)	77 to * — DE3
	7	8480	POP RIVET, resistor mounting (2)	77 to * — DE3
	8	9857	WIRE TERMINAL, ring type — No. 10 dia. hole — #16-22 wire	77 to * — DE3
	9	9859	WIRE TERMINAL, ring type — 5/16 dia. #16-22 wire	79 to * — DE3
	10	9862	WIRE TERMINAL, ring type — No. 10 dia. hole — #14-16 wire	77 to * — DE3
	11	9863	WIRE TERMINAL, ring type — 1/4 dia. hole — #14-16 wire	77 to * — DE3
	12	9866	WIRE TERMINAL, ring type — No. 10 dia. hole — #10-12 wire	77 to * — DE3
	13	9867	WIRE TERMINAL, ring type — 1/4 dia. hole — No. 10-12 wire	81 to * — DE3
		9868	WIRE TERMINAL, ring type — 5/16 dia. hole — #10-12 wire	77 to * — DE3
	14	9902	WIRE TERMINAL, ring type — 3/16 dia. hole — #14-16 wire	77 to * — DE3
	15	9911	WIRE TERMINAL, ring type — 3/16 dia. hole — #8 wire	77 to * — DE3
	16	9923	WIRE TERMINAL, ring type — 5/16 dia. hole — #8 wire	77 to * — DE3
	17	9963	CLAMP	77 to * — DE3
	18	9981	CLIP	77 to * — DE3
	19	10006	CABLE STRAP, resistor cables (black)	77 to * — DE3
	20	10007	CABLE STRAP (white)	77 to * — DE3
	21	70199—63B	CONNECTOR CABLE, battery (4)	77 to * — DE3
	22	70451—72	WIRE, solenoid "A" to speed switch #1 terminal	77 & 78 — DE3
	23	70457—72	CABLE, rear battery positive to right diode	77 & 78 — DE3
	24	70458—72	WIRE, solenoid "A" to speed switch #5 terminal	77 & 78 — DE3
	25	70464—67A	CABLE, solenoid "C" to front battery negative	77 & 78 — DE3
	26	70464—72	CABLE, battery negative to left diode	77 & 78 — DE3
	27	70465—67	WIRE, solenoid to mtr. term. (4)	77 to * — DE3
		70490—77	MAIN WIRING HARNESS	77 & 78 — DE3
	28	70551—69	CONDUIT, 1/8 I.D. x 10 ft. lg. black vinyl (hi temp.)	77 to * — DE3
		70552—69	CONDUIT, 3/8 I.D. x 10 ft. lg. black vinyl	77 to * — DE3
		70553—69	CONDUIT, 7/16 I.D. x 10 ft. lg. black vinyl	77 to * — DE3
		70554—69	CONDUIT, 1/4 I.D. x 10 ft. lg. black vinyl	77 to * — DE3
		70555—69	CONDUIT, 1/4 I.D. x 10 ft. lg. black vinyl (hi-temp)	77 to * — DE3
		70556—71	CONDUIT, 5/16 I.D. x 10 ft. lg. black vinyl	77 to * — DE3
		70558—71	CONDUIT, 1/2 I.D. x 10 ft. lg. black vinyl	77 to * — DE3
		70559—71	CONDUIT, 1/8 I.D. x 10 ft. lg. black vinyl	77 to * — DE3
		70584—69	INSULATOR, flag terminal	81 to * — DE3
	29A	70589—69	INSULATOR, female spade terminal	77 to * — DE3
	30	70596—72	RESISTOR	77 & 78 — DE3
	31	70597—72	INSULATOR, resistor mounting	77 to * — DE3
	32	70628—79	RESISTOR	79 to * — DE3
		70632—79	MAIN WIRING HARNESS	79 to * — DE3
	33	71795—63A	CLAMP, battery cable	77 to * — DE3
	34	72038—71	SOCKET TERMINAL, wire end	77 to * — DE3
	35	72039—71	PIN TERMINAL, wire end	77 to * — DE3
	36	72043—71	CONNECTOR, single pin	77 to * — DE3
	37	72044—71	CONNECTOR, single socket	77 to * — DE3
	38	91810—63A	CIGARETTE LIGHTER KIT	77 to * — DE3
	39	91813—63	WIRING HARNESS, cigarette lighter	77 to * — DE3
	40	91818—68	CIGARETTE LIGHTER, ELEMENT & KNOB, only	77 to * — DE3

NOTE: Asterisk (*) indicates part is used for latest model year shown on cover.



WIRING — 1979 & LATER

BN - BROWN
 GN - GREEN
 BK - BLACK
 Y - YELLOW
 R - RED
 BE - BLUE

RETAIL PRICE	INDEX NO.	PART NO.	N A M E	USED ON
	1	2871W	BOLT, 5/16-18 x 1-1/4 hex. hd. (2)	79 to * — DE3
	2	6702	WASHER, 5/16 x 11/16 x 1/16 (4)	79 to * — DE3
	3	7041	LOCKWASHER, 5/16 (4)	79 to * — DE3
	4	7748W	NUT, 5/16-18 x 1/4 x 1/2 hex. (4)	79 to * — DE3
	5	8480	POP RIVET, 3/16 x 1/2 x 5/8 dia. hd. (2)	79 to * — DE3
	6	10006	CABLE STRIP, black	79 to * — DE3
	7	10007	CABLE STRAP, white	79 & 80 — DE3
	8	70045—63	WIRE, speed switch contact arm to base plate (white) (2)	79 to * — DE3
	9	70193—72	WIRE, solenoid "A" to front battery negative (black)	79 to * — DE3
	10	70199—63B	CONNECTOR CABLE, battery (4)	79 to * — DE3
	11	70351—72	WIRE, solenoid "C" to resistor (left side)	79 to * — DE3
	12	70406—72	WIRE, left diode to charger plug negative	79 to * — DE3
	13	70407—72	WIRE, solenoid "B" to charger plug positive (red)	79 to * — DE3
	14	70433—72	WIRE, solenoid "A" to right diode (black)	79 to * — DE3
	15	70463—69	WIRE, solenoid "B" to front battery positive	79 to * — DE3
	16	70463—71B	WIRE, solenoid "A" to rear battery positive	79 to * — DE3
	17	70465—67	WIRE, solenoid to motor terminals A1, A2, S1, S2 (4)	79 to * — DE3
	18	70472—67A	WIRE, micro switch to speed switch contact block (white)	79 to * — DE3
	19	70478—72	WIRE, solenoid "C" to resistor (right side) (black)	79 to * — DE3
	20	70597—72	INSULATOR, resistor mounting	79 to * — DE3
	21	70621—79	WIRE, solenoid "A" to speed switch #1 terminal (black)	79 to * — DE3
	22	70622—79	WIRE, left diode to speed switch #5 terminal (black)	79 to * — DE3
	23	70623—79	TIME DELAY	79 to * — DE3
	24	70624—79	WIRE, solenoid "A" to buzzer (orange)	79 to * — DE3
	25	70626—79	CABLE, solenoid "C" to rear battery negative (black)	79 to * — DE3
	26	70627—79	WIRE, solenoids "B," "R," "F," "C" and "A" (white)	79 to * — DE3
	27	70628—79	RESISTOR	79 to * — DE3
	28	70632—79	MAIN WIRING HARNESS	79 to * — DE3

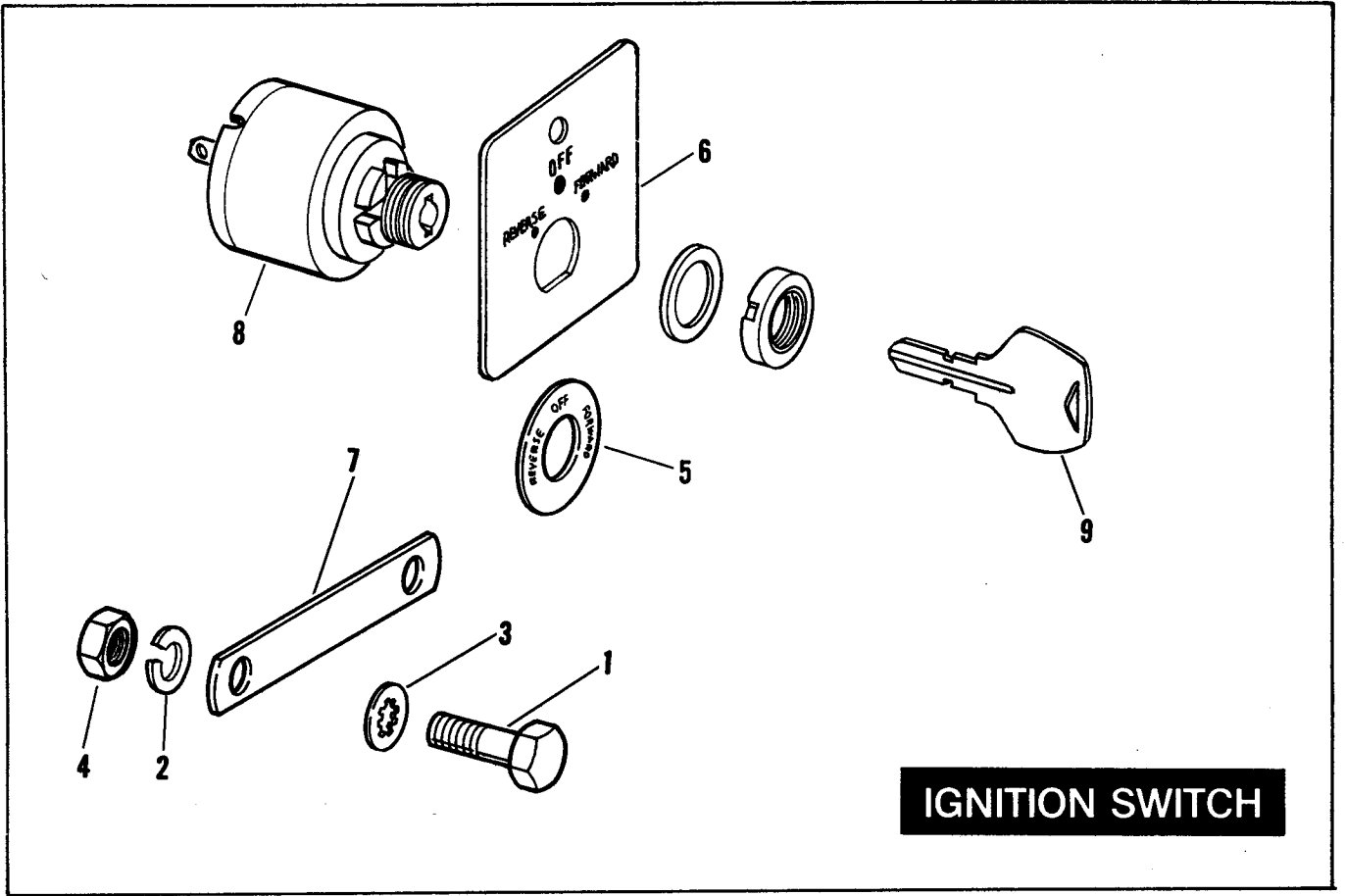
NOTE: Asterisk (*) indicates part is used for latest model year shown on cover.

SPEED SWITCH

F21

RETAIL PRICE	INDEX NO.	PART NO.	N A M E	USED ON
	1	1784	SCREW, No. 10-24 x 3/4 Pozidriv flat ctsk. hd. (4)	77 to * - DE3
	2	1785	SCREW, No. 6-32 x 1 Pozidriv flat ctsk. hd.	77 to * - DE3
	3	2556	SCREW, No. 6-32 x 1 Pozidriv pan hd.	77 to * - DE3
	4	2595	SCREW, No. 10-24 x 1 Pozidriv pan hd.	77 to * - DE3
	5	2601	SCREW, No. 6-32 x 1-1/4 Pozidriv pan hd. (2)	77 to * - DE3
	6	2602	SCREW, 1/4-20 x 1-1/4 Pozidriv pan hd.	77 to * - DE3
	7	2659	SCREW, No. 10-24 x 7/8 Pozidriv pan hd. (3)	77 to * - DE3
	8	2668	SCREW, No. 10-24 x 9/16 Pozidriv (4)	77 to * - DE3
	9	2794	SCREW, 1/4-28 x 1-3/4 Pozidriv pan hd.	77 to * - DE3
	10	3825	BOLT, 1/4-28 x 1 hex. hd.	77 to * - DE3
	11	5966W	SPACER, speed control lever	77 to * - DE3
	12	6075W	WASHER, 9/64 x 5/16 x 1/32 (4)	77 & 78 - DE3
	13	6165W	WASHER, 3/16 x 3/8 x 1/16	77 & 78 - DE3
	14	6253W	WASHER, 1/4 x 3/4 x 1/16	77 to * - DE3
	15	6375B	WASHER, 3/8 x 9/16 x 1/32 (3)	77 to * - DE3
	16	6703	WASHER, 1/4 x 5/8 x 1/16	77 to * - DE3
	17	6716	WASHER, No. 10 x 1/2 x 3/64	79 to * - DE3
	18	6717	WASHER, No. 6 x 3/8 x 3/64 (4)	79 to * - DE3
	19	7010	LOCKWASHER, No. 6 (2)	77 to * - DE3
	20	7036	LOCKWASHER, 1/4	77 to * - DE3
	21	7069	LOCKWASHER, No. 10 (12)	77 to * - DE3
	22	7115	LOCKWASHER, No. 8 internal tooth (2)	77 to * - DE3
	23	7118	LOCKWASHER, No. 10 internal tooth (3)	77 to * - DE3
	24	7124	LOCKWASHER, 1/4 internal tooth	77 to * - DE3
	25	7590	NUT, No. 6-32 x 1/8 x 5/16 hex. (6)	77 to * - DE3
	26	7620W	NUT, No. 10-24 x 1/8 x 3/8 hex. (8)	77 to * - DE3
	27	7676	NUT, 1/4-28 x 7/32 x 7/16 hex.	77 to * - DE3
	28	7683	LOCKNUT, 1/4-28 x 5/16 x 7/16 hex.	77 to * - DE3
	29	7688	NUT, 1/4-20 x 7/32 x 7/16 hex. (2)	77 to * - DE3
	30	17485-71	SPRING, speed switch	77 to * - DE3
	31	40522-63	BUSHING, speed switch	77 to * - DE3
	32	70045-63	WIRE, contact arm to solenoid terminal (2)	77 to * - DE3
	33	70432-72	WIRE, micro switch to diode	77 to * - DE3
	34	70472-67A	WIRE, micro switch to contact block	77 to * - DE3
	34A	71481-79	SPEED SWITCH ASSEMBLY	79 to * - DE3
	35	71506-67	MICRO SWITCH	77 to * - DE3
	36	71514-68A	RUBBER COVER, micro switch plunger	77 to * - DE3
	37	71793-71	BEARING, speed control lever	77 to * - DE3
	38	71795-63A	CLAMP, switch arm wire	77 to * - DE3
	39	71820-63A	LEVER SUPPORT PLATE	77 to * - DE3
	40	71404-79	BASE PLATE, speed switch	79 to * - DE3
	41	71850-63	CONTACT BLOCK (4)	77 to * - DE3
	42	71851-63	SWITCH ARM CONTACT BLOCK	77 to * - DE3
	43	71852-63	SWITCH LEVER BLOCK	77 to * - DE3
	44	71853-63A	SPEED CONTROL LEVER, with bearings	77 to * - DE3
	45	72030-47	CLIP, switch lever block	77 to * - DE3
	46	74885-67	DIODE (2 - 77 to 78)	79 to 81 - DE3
		74886-67	DIODE	82 to * - DE3

NOTE: Asterisk (*) indicates part is used for latest model year shown on cover.



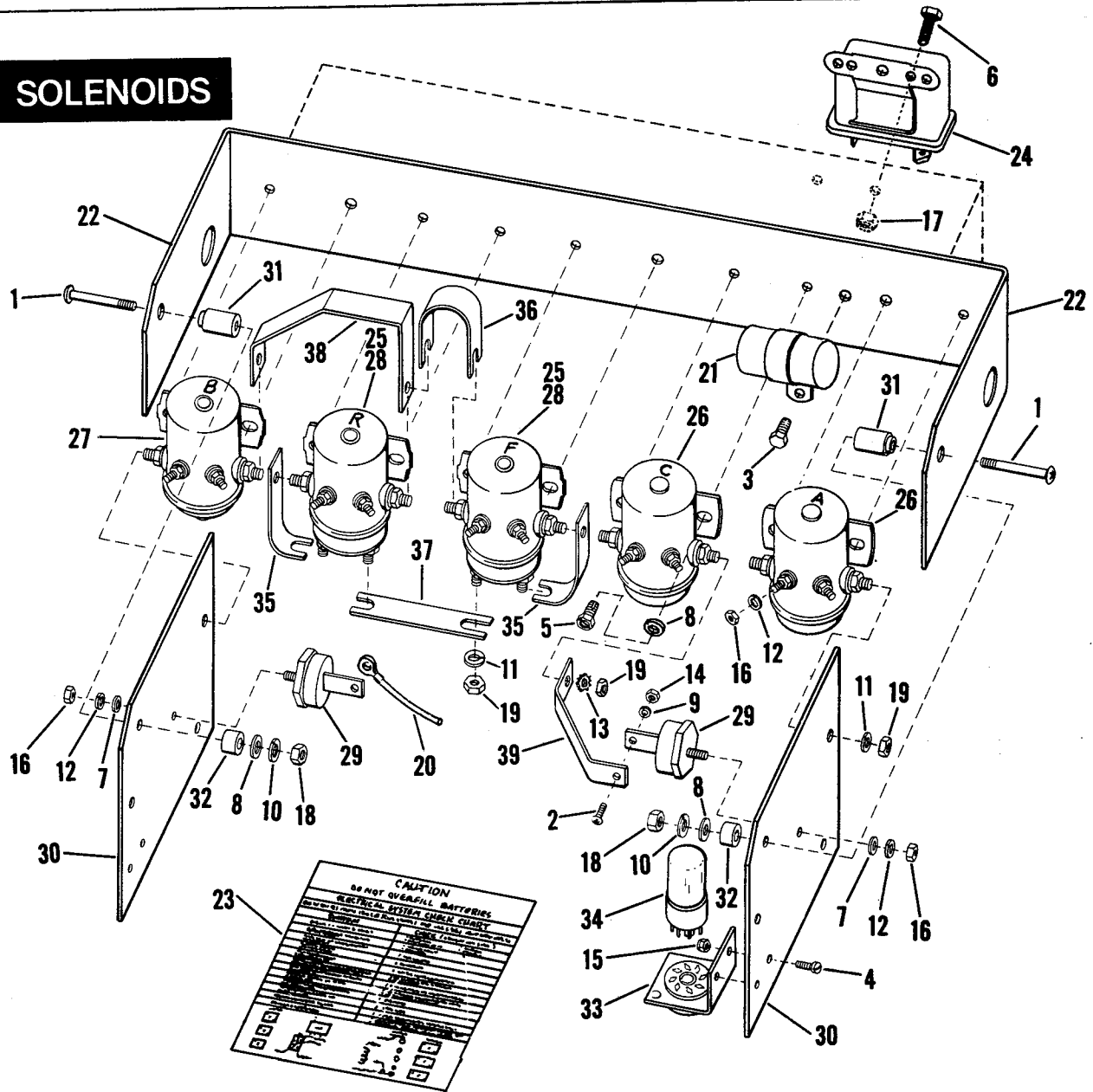
IGNITION SWITCH

IGNITION SWITCH

RETAIL PRICE	INDEX NO.	PART NO.	N A M E	USED ON
	1	4319	BOLT, 3/8-24 x 1 hex. hd.....	77 to * — DE3
	2	7038	LOCKWASHER, 3/8.....	79 to * — DE3
	3	7130W	LOCKWASHER, 3/8 internal tooth.....	77 to * — DE3
	4	7800W	NUT, 3/8-24 x 5/16 x 9/16 hex.....	79 to * — DE3
	5	71023—65	PLATE, key switch.....	77 & 78 — DE3
	6	71445—79	PLATE, key switch.....	79 to * — DE3
	7	71491—66A	GROUND STRAP, key switch.....	77 to * — DE3
	8	71762—75	FORWARD/REVERSE SWITCH.....	77 to * — DE3
	9	71765—75	KEY.....	77 to * — DE3

NOTE: Asterisk (*) indicates part is used for latest model year shown on cover.

SOLENOIDS

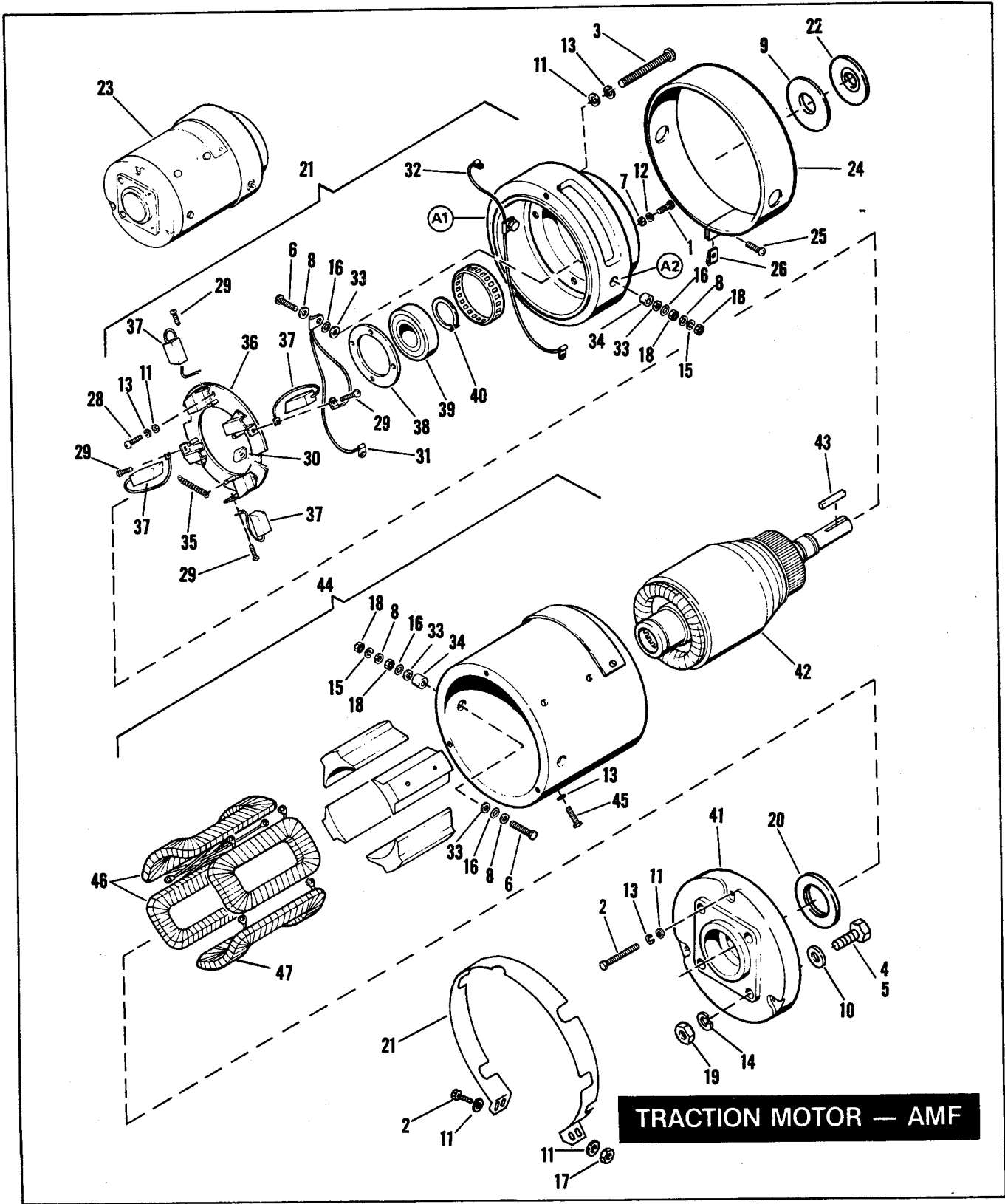


SOLENOIDS

F23

RETAIL PRICE	INDEX NO.	PART NO.	N A M E	USED ON
	1	2599	SCREW, 1/4-20 x 1-3/4 Pozidriv pan hd. (2)	77 to * — DE3
	2	2625	SCREW, No. 8-32 x 5/8 Pozidriv pan hd. (2)	77 to * — DE3
	3	2685W	SCREW, No. 10-24 x 5/8 self tap.	79 to * — DE3
	4	2808	SCREW, No. 8-32 x 3/8 Pozidriv pan hd. (2)	77 & 78 — DE3
	5	3204W	SCREW, 1/4-20 x 5/8 self tapping hex. (10)	77 to * — DE3
	6	3728	BOLT, 1/4-20 x 1/2 hex. hd. (2)	79 to * — DE3
	7	6182W	WASHER, 3/16 x 7/16 x 1/32 (2)	77 to * — DE3
	8	6703	WASHER, 1/4 x 5/8 x 1/16 (9)	77 to * — DE3
	9	7015	LOCKWASHER, No. 8 (2)	77 to * — DE3
	10	7036	LOCKWASHER, 1/4 (2)	77 to * — DE3
	11	7041	LOCKWASHER, 5/16 (13)	77 to * — DE3
	12	7069	LOCKWASHER, No. 10 (12)	77 to * — DE3
	13	7127	LOCKWASHER, 5/16 internal tooth	77 to * — DE3
	14	7608	NUT, No. 8-32 x 1/8 x 11/32 hex. (2)	77 to * — DE3
	15	7609W	LOCKNUT, No. 8-32 x 3/16 x 3/8 hex. (2)	77 & 78 — DE3
	16	7638	NUT, No. 10-32 x 1/8 x 3/8 hex. (22)	77 to * — DE3
	17	7686	LOCKNUT, 1/4-20 x 5/16 x 7/16 hex. (2)	79 to * — DE3
	18	7688	NUT, 1/4-20 x 7/32 x 7/16 hex. (2)	77 to * — DE3
	19	7753	NUT, 5/16-24 x 1/4 x 1/2 hex. (28)	77 to * — DE3
	20	70433-72	WIRE, right diode to left solenoid	77 to * — DE3
	21	70623-79	TIME DELAY	79 to * — DE3
	22	71021-72	PLATE, solenoid mounting	77 & 78 — DE3
		71021-79	PLATE, solenoid mounting	79 to * — DE3
	23	71030-74	TRANSFER (check chart)	77 & 78 — DE3
		71030-79	TRANSFER (check chart)	79 to * — DE3
	24	71402-79	BUZZER	79 to * — DE3
	25	71461-79	SOLENOID, 6 V. (six terminals) (2)	79 to * — DE3
	26	71470-63D	SOLENOID, 12 V. (four terminals) (2)	77 to * — DE3
	27	71471-67A	SOLENOID, 6 V. (four terminals)	77 to * — DE3
	28	71476-67A	SOLENOID, 6 V. (six terminals) (2)	77 & 78 — DE3
	29	74857-67A	DIODE (2)	77 to * — DE3
	30	74859-67A	HEAT SINK, diode (2)	77 to * — DE3
	31	74861-67A	FIBER SPACER, heat sink mounting — long (2)	77 to * — DE3
	32	74862-67A	FIBER SPACER, heat sink mounting — short (2)	77 to * — DE3
	33	74873-72	SOCKET ASSEMBLY, time delay tube — w/3 wires	77 & 78 — DE3
	34	74875-67	TUBE, time delay control	77 & 78 — DE3
	35	74893-67	SOLENOID CONNECTOR BAR, right angle (2)	77 to * — DE3
	36	74894-63A	SOLENOID CONNECTOR BAR, curved	77 to * — DE3
	37	74895-63	SOLENOID CONNECTOR BAR, straight	77 to * — DE3
	38	74898-72	SOLENOID CONNECTOR BAR	77 to * — DE3
	39	74899-72	SOLENOID CONNECTOR BAR, solenoid to left diode	77 to * — DE3

NOTE: Asterisk (*) indicates part is used for latest model year shown on cover.

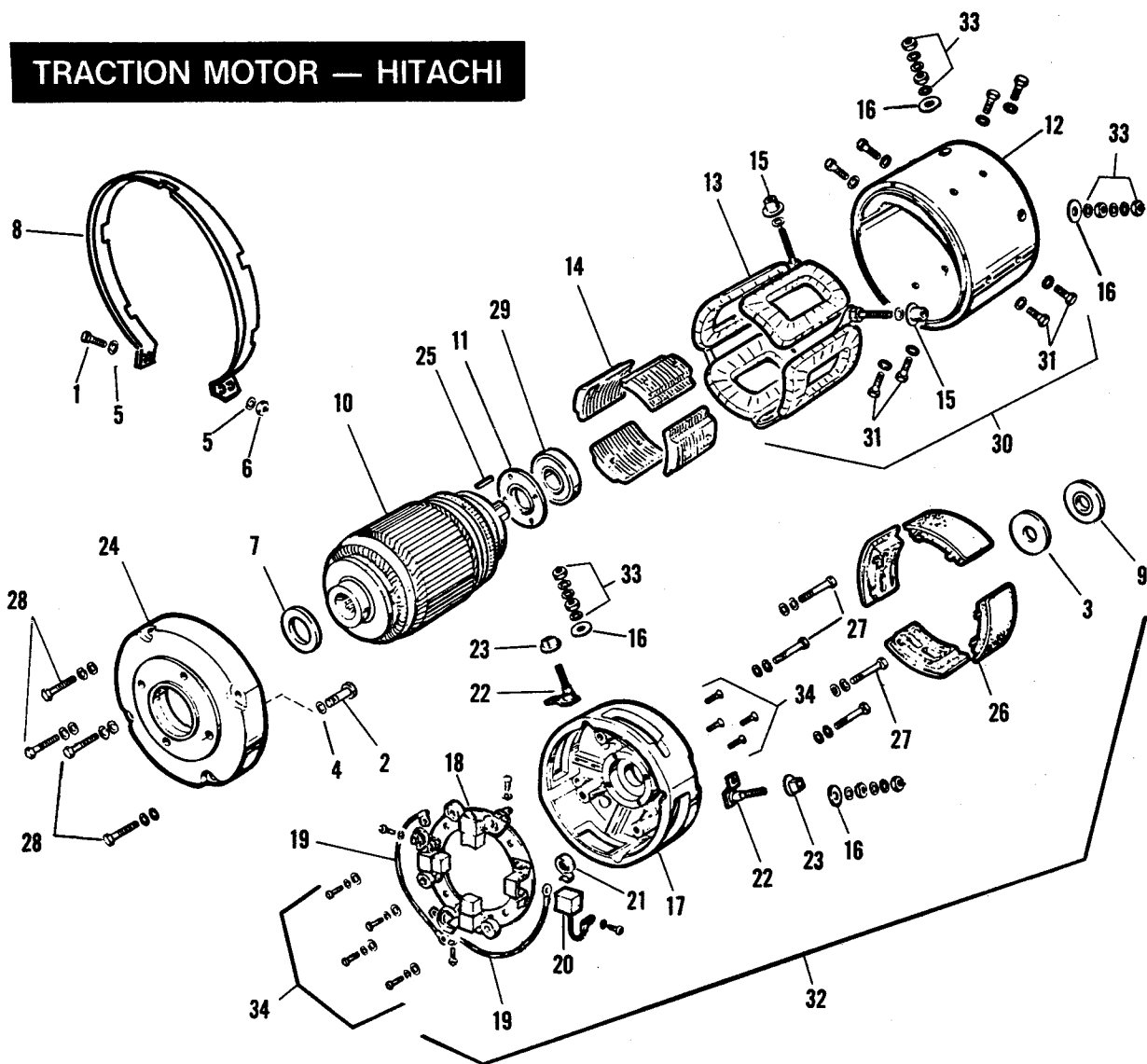


TRACTION MOTOR — AMF

RETAIL PRICE	INDEX NO.	PART NO.	N A M E	USED ON
	1	2280	SCREW, No. 8-32 x 1 Pozidriv fil. hd. (4)	N/A 77 to * — DE3
	2	2551W	BOLT, 1/4-20 x 1 hex. hd. (5)	77 to * — DE3
	3	3768	BOLT, 1/4-20 x 2-1/2 hex. hd. (2)	77 to * — DE3
	4	4085B	BOLT, 3/8-16 x 7/8 hex. hd.	79 to * — DE3
	5	4380W	BOLT, 3/8-24 x 2 hex. hd. (4)	77 & 78 — DE3
	6	4730	BOLT, 5/16-24 x 1-3/4 hex. hd. (4)	77 to * — DE3
	7	6192	WASHER, No. 8 x 7/16 x 3/64 (4)	77 to * — DE3
	8	6333	WASHER, 5/16 x 7/8 x 5/64 (8)	77 to * — DE3
	9	6681	NYLON WASHER, 27/32 x 2-3/8 x 1/32	77 to * — DE3
	10	6701	WASHER, 3/8 x 13/16 x 1/16 (4)	77 to * — DE3
	11	6703	WASHER, 1/4 x 5/8 x 1/16 (13)	77 to * — DE3
	12	7015	LOCKWASHER, No. 8 (4)	77 to * — DE3
	13	7036	LOCKWASHER, 1/4 (17)	77 to * — DE3
	14	7038	LOCKWASHER, 3/8 (4)	77 to * — DE3
	15	7041	LOCKWASHER, 5/16 (4)	77 to * — DE3
	16	7145W	LOCKWASHER, 3/8 external tooth (8)	77 to * — DE3
	17	7686	LOCKNUT, 1/4-20 x 5/16 x 7/16 hex. (2)	77 to * — DE3
	18	7753	NUT, 5/16-24 x 1/4 x 1/2 hex. (8)	77 to * — DE3
	19	7800W	NUT, 3/8-24 x 5/16 x 9/16 hex. (4)	77 to * — DE3
	20	12041	OIL SEAL	79 to * — DE3
	21	16246-77	STRAP, motor support	77 & 78 — DE3
		16246-79	STRAP, motor support	79 to * — DE3
	22	47749-67A	SEAL, motor shaft	77 to * — DE3
	23	82819-79	TRACTION MOTOR (HITACHI)	77 to * — DE3
NOTE: See next page for Hitachi replacement parts.				
	24	83171-75	BRUSH COVER	77 to * — DE3
	25	83172-75	SCREW, brush cover, No. 8-32 x 1/2 (5)	77 to * — DE3
	26	83173-75	SPEED NUT, brush cover	77 to * — DE3
	27	83174-75	FRAME ASSEMBLY, commutator end	77 to * — DE3
	28	83175-75	SCREW, brush holder, 1/4-20 x 1/2 (4)	77 to * — DE3
	29	83176-75	SCREW, brush terminal, No. 10 self tapping (4)	77 to * — DE3
	30	83177-75	SPEED NUT, brush terminal screw (4)	77 to * — DE3
	31	83178-75	WIRING HARNESS, terminal A2	77 to * — DE3
	32	83179-75	WIRE, terminal A1	77 to * — DE3
	33	83180-75	WASHER, terminals (8)	77 to * — DE3
	34	83181-75	BUSHING, terminals (4)	77 to * — DE3
	35	83182-75	SPRING (4)	77 to * — DE3
	36	83183-75	BRUSH HOLDER	77 to * — DE3
	37	83184-75	BRUSH (4)	77 to * — DE3
	38	83185-75	PLATE, bearing	77 to * — DE3
	39	83186-75	BALL BEARING	77 to * — DE3
	40	83187-75	RETAINING RING	77 to * — DE3
	41	83188-75	END COVER	77 to * — DE3
	42	83189-75	ARMATURE	N/A 77 to * — DE3
	43	83190-75	STRAIGHT KEY	77 to * — DE3
	44	83191-75	FRAME ASSEMBLY, with coils and shoes	77 to * — DE3
	45	83192-75	BOLT, pole shoes, 1/4-20 x 7/8 hex. hd. (8)	77 to * — DE3
	46	83193-75	COIL ASSEMBLY	77 to * — DE3
	47	83194-75	COIL (2)	N/A 77 to * — DE3

NOTE: Asterisk (*) indicates part is used for latest model year shown on cover.

TRACTION MOTOR — HITACHI

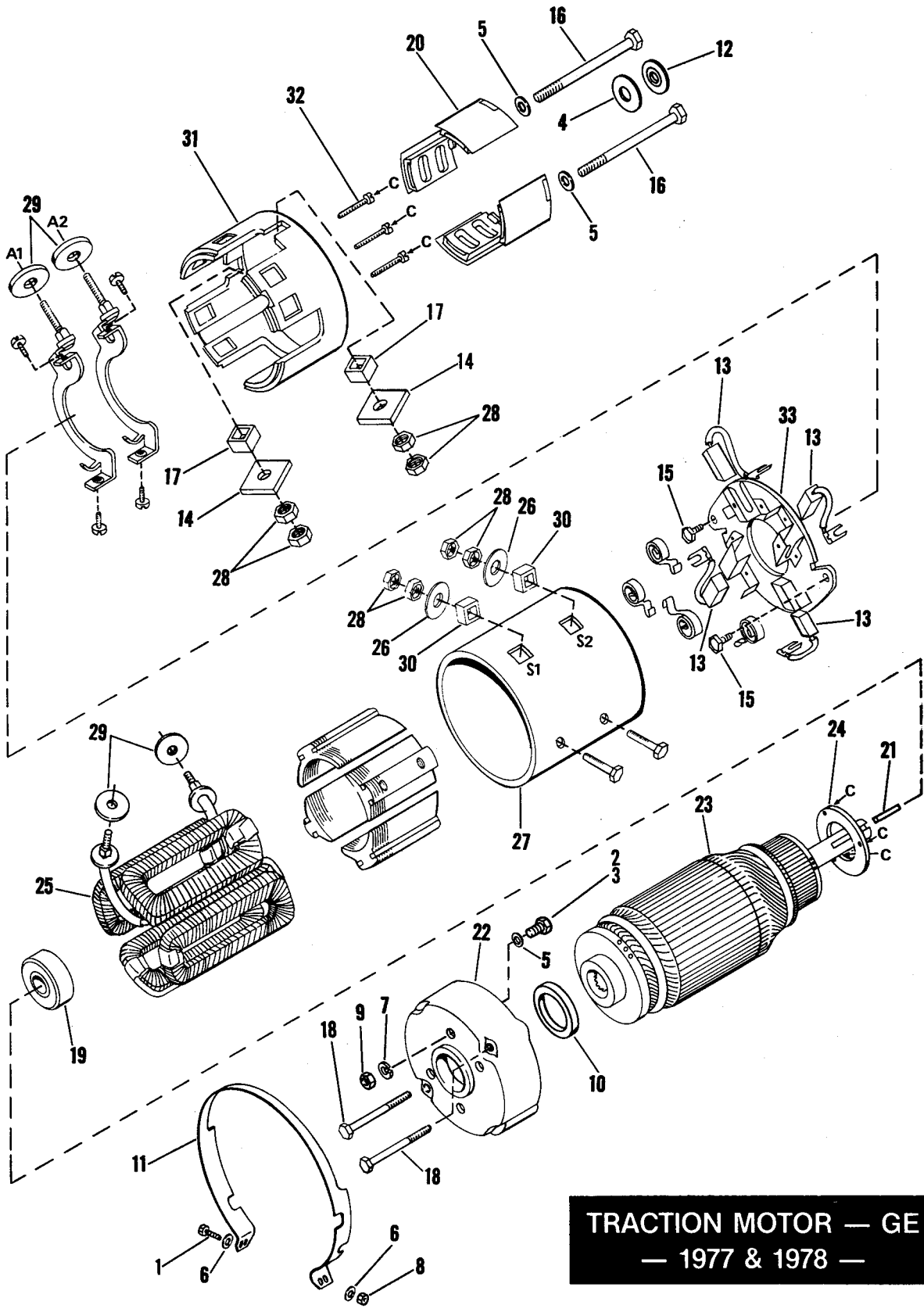


TRACTION MOTOR — HITACHI

F24A

RETAIL PRICE	INDEX NO.	PART NO.	N A M E	USED ON
	1	2551W	BOLT, 1/4-20 x 1 hex. hd. (2)	Late 79 to * — DE3
	2	4085B	BOLT, 3/8-16 x 7/8 hex. hd. (4)	Late 79 to * — DE3
	3	6681	NYLON WASHER, 27/32 x 2-3/8 x 1/32	Late 79 to * — DE3
	4	6701	WASHER, 3/8 x 13/16 x 1/16 (4)	Late 79 to * — DE3
	5	6703	WASHER, 1/4 x 5/8 x 1/16 (4)	Late 79 to * — DE3
	6	7686	LOCKNUT, 1/4-20 x 5/16 x 7/16 hex.	Late 79 to * — DE3
	7	12041	OIL SEAL, traction motor	Late 79 to * — DE3
	8	16246—79	STRAP, motor support	Late 79 to * — DE3
	9	47749—67A	SEAL, motor shaft	Late 79 to * — DE3
		82819—79	TRACTION MOTOR (Hitachi)	Late 79 to * — DE3
	10	82907—79	ARMATURE	Late 79 to * — DE3
	11	82908—79	RETAINING RING, bearing	Late 79 to * — DE3
	12	82910—79	FRAME	Late 79 to * — DE3
	13	82911—79	FIELD COIL SET	Late 79 to * — DE3
	14	82912—79	COIL COVER (4)	Late 79 to * — DE3
	15	82913—79	INSULATOR, terminal (2)	Late 79 to * — DE3
	16	82914—79	WASHER, frame	Late 79 to * — DE3
	17	82915—79	BRACKET, brush plate	Late 79 to * — DE3
	18	82916—79	BRUSH PLATE	Late 79 to * — DE3
	19	82917—79	JUMPER WIRE (2)	Late 79 to * — DE3
	20	82918—79	BRUSH WITH WIRE (4)	Late 79 to * — DE3
	21	82919—79	SPRING, brush (4)	Late 79 to * — DE3
	22	82920—79	BOLT, terminal (2)	Late 79 to * — DE3
	23	82921—79	INSULATOR, terminal bolt (2)	Late 79 to * — DE3
	24	82922—79	END COVER	Late 79 to * — DE3
	25	82923—79	KEY, armature	Late 79 to * — DE3
	26	82924—79	BRUSH COVER (4)	Late 79 to * — DE3
	27	82925—79	BOLT, brush plate bracket (4)	Late 79 to * — DE3
	28	82926—79	BOLT, end cover	Late 79 to * — DE3
	29	83269—79	BEARING	Late 79 to * — DE3
	30	83270—79	YOKE ASSEMBLY	Late 79 to * — DE3
	31	83271—79	BOLT (8)	Late 79 to * — DE3
	32	83272—79	BRACKET ASSEMBLY	Late 79 to * — DE3
	33	83273—79	TERMINAL KIT (4)	Late 79 to * — DE3
	34	83274—79	SCREW KIT (2)	Late 79 to * — DE3

NOTE: Asterisk (*) indicates part is used for latest model year shown on cover.



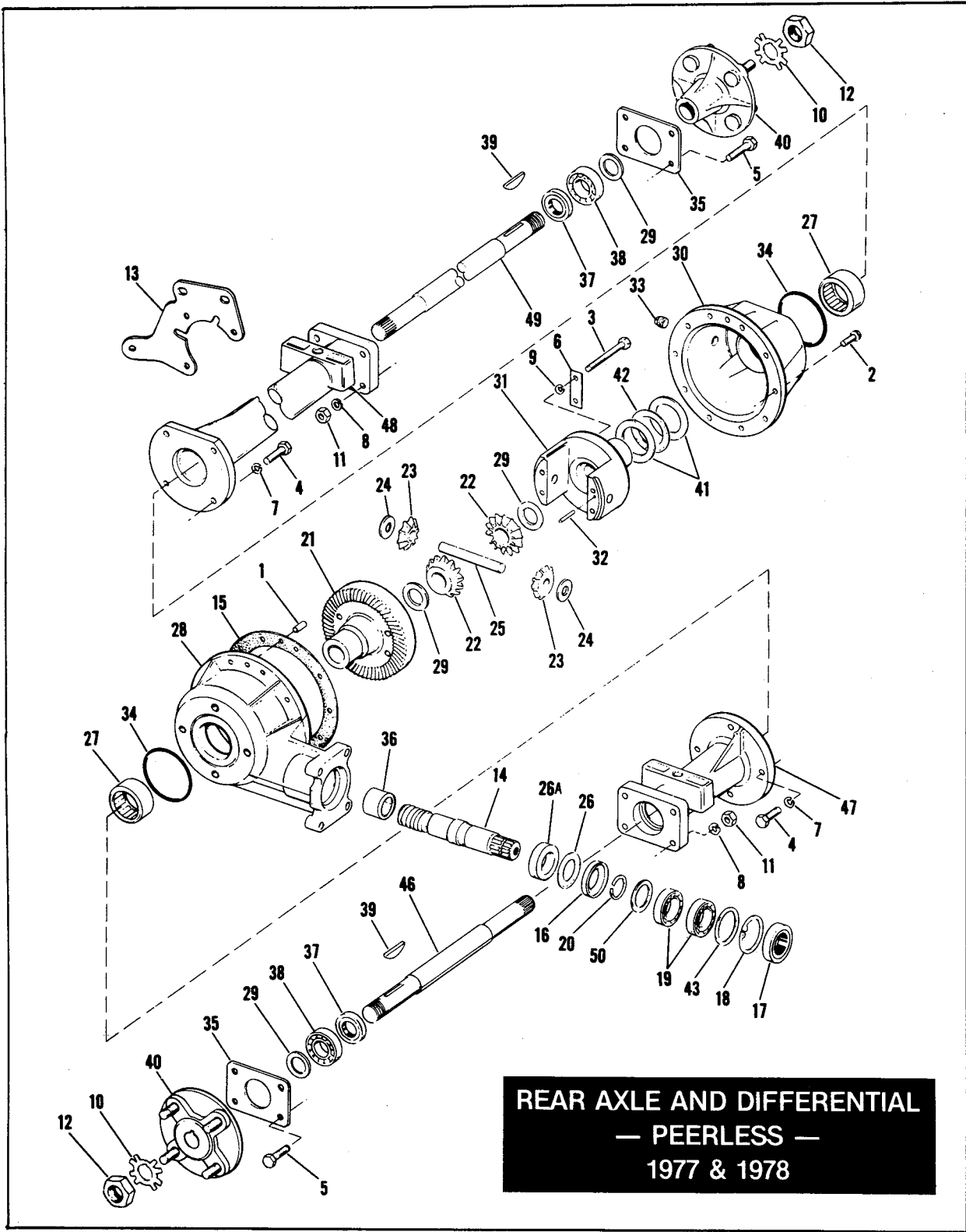
TRACTION MOTOR — GE
— 1977 & 1978 —

TRACTION MOTOR — GE (1977 & 1978)

F25

RETAIL PRICE	INDEX NO.	PART NO.	N A M E	USED ON
	1	2551W	BOLT, 1/4-20 x 1 hex. hd. (2)	77 & 78 — DE3
	2	4085B	BOLT, 3/8-16 x 7/8 hex. hd. (Dana)	77 & 78 — DE3
	3	4380W	BOLT, 3/8-24 x 2 hex. hd. (4)	77 & 78 — DE3
	4	6681	NYLON WASHER, 27/32 x 2-3/8 x 1/32	77 & 78 — DE3
	5	6701	WASHER, 3/8 x 13/16 x 1/16 (4)	77 & 78 — DE3
	6	6703	WASHER, 1/4 x 5/8 x 1/16 (2)	77 & 78 — DE3
	7	7038	LOCKWASHER, 3/8 (4)	77 & 78 — DE3
	8	7686	LOCKNUT, 1/4-20 x 5/16 x 7/16 hex. (2)	77 & 78 — DE3
	9	7800W	NUT, 3/8-24 x 5/16 x 9/16 hex. (4)	77 & 78 — DE3
	10	12041	OIL SEAL	77 & 78 — DE3
	11	16246-77	STRAP, motor support	77 & 78 — DE3
	12	47749-67A	SEAL, motor shaft	77 & 78 — DE3
	13	70491-73	SET OF BRUSHES WITH WIRES	77 & 78 — DE3
	14	72342-73	SQUARE WASHER, terminal studs (2)	77 & 78 — DE3
	15	72343-73	SCREW, brush plate (2)	77 & 78 — DE3
	16	72347-73	BOLT, commutator end cover (2)	77 & 78 — DE3
	17	72352-73	SQUARE INSULATOR, terminals A1 & A2 (2)	77 & 78 — DE3
	18	72379-73	BOLT, end cover	77 & 78 — DE3
	19	72380-72	BALL BEARING	77 & 78 — DE3
	20	72386-73	BRUSH COVER (4)	77 & 78 — DE3
	21	83190-75	STRAIGHT KEY	77 & 78 — DE3
	22	83252-75	END COVER	77 & 78 — DE3
	23	83253-75	ARMATURE	77 & 78 — DE3
	24	83254-75	RETAINING RING, bearing	77 & 78 — DE3
	25	83255-75	FIELD COIL SET	77 & 78 — DE3
	26	83256-75	WASHER, terminals (2)	77 & 78 — DE3
	27	83257-75	FRAME ASSEMBLY, with coils and shoes	77 & 78 — DE3
	28	83259-75	NUT, terminals (8)	77 & 78 — DE3
	29	83260-75	WASHER, terminals (4)	77 & 78 — DE3
	30	83262-75	SQUARE INSULATOR, terminals S1 & S2 (2)	77 & 78 — DE3
	31	83263-75	END COVER, commutator end	77 & 78 — DE3
	32	83264-75	SCREW, bearing retainer (3)	77 & 78 — DE3
	33	83268-75	BRUSH PLATE, with springs and A1 & A2	77 & 78 — DE3

NOTE: Asterisk (*) indicates part is used for latest model year shown on cover.

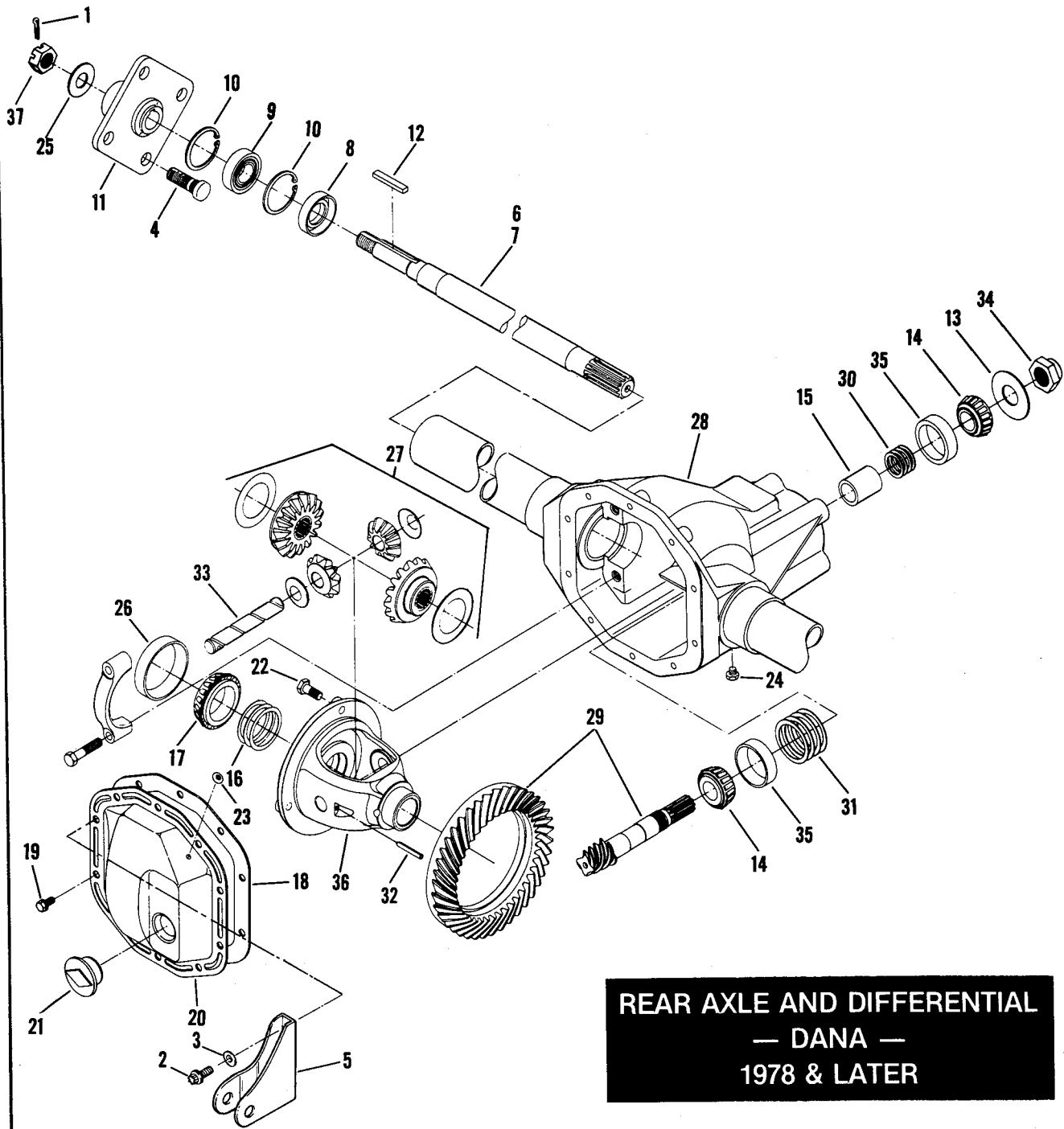


REAR AXLE AND DIFFERENTIAL (1977 & 1978)

F26

RETAIL PRICE	INDEX NO.	PART NO.	N A M E	USED ON
	1	376	DOWEL PIN, differential case (2)	77 & 78 — DE3
	2	3940	BOLT, 1/4 x 28 x 3-1/2 hex. hd. (10)	77 & 78 — DE3
	3	3957	BOLT, 3/8 x 3-3/8 hex. hd. (4)	77 & 78 — DE3
	4	3962	BOLT, 1/2 x 1-1/2 hex. hd. (8)	77 & 78 — DE3
	5	3977	BOLT, 7/16 x 1-1/2 hex. hd. (8)	77 & 78 — DE3
	6	6573	WASHER PLATE, differential gear carrier (2)	77 & 78 — DE3
	7	7049	LOCKWASHER, 1/2 (8)	77 & 78 — DE3
	8	7054	LOCKWASHER, 7/16 (8)	77 & 78 — DE3
	9	7061	LOCKWASHER, 3/8 (4)	77 & 78 — DE3
	10	7216	RETAINER, axle nut (2)	77 & 78 — DE3
	11	7661	NUT, hub to axle housing (8)	77 & 78 — DE3
	12	7664	NUT, axle shaft (2)	77 & 78 — DE3
	13	54524-77	BRACKET, shock absorber	77 & 78 — DE3
		82806-78A	REAR AXLE AND DIFFERENTIAL ASSEMBLY, complete	77 & 78 — DE3
	14	82839-77	PINION SHAFT	77 & 78 — DE3
	15	83044-77	GASKET, differential case	77 & 78 — DE3
	16	83046-77	SPACER, pinion shaft — outer	77 & 78 — DE3
	17	83049-77	SEAL, pinion shaft	77 & 78 — DE3
	18	83052-77	RETAINING RING, pinion bearing — outer	77 & 78 — DE3
	19	83054-77	BALL BEARING, pinion shaft (2)	77 & 78 — DE3
	20	83056-77	RETAINING RING, pinion bearing — inner	77 & 78 — DE3
	21	83090-77	RING GEAR	77 & 78 — DE3
	22	83091-77	GEAR, axle (2)	77 & 78 — DE3
	23	83092-77	GEAR, idler (2)	77 & 78 — DE3
	24	83093-77	THRUST WASHER, idler gear (2)	77 & 78 — DE3
	25	83094-77	SHAFT, idler gear	77 & 78 — DE3
	26	83094-77	SHAFT, idler gear	77 & 78 — DE3
	26	83109-77	RADIAL BEARING, pinion shaft	77 & 78 — DE3
	26A	83111-77	SPACER, pinion shaft — inner	77 & 78 — DE3
	27	83117-77	NEEDLE BEARING, axle (2)	77 & 78 — DE3
	28	83121-77	DIFFERENTIAL CASE, right	77 & 78 — DE3
	29	83122-77	THRUST WASHER, axle gear (2); hub to axle bearing (2)	77 & 78 — DE3
	30	83123-77	DIFFERENTIAL CASE — left	77 & 78 — DE3
	31	83124-77	CARRIER, gear — differential	77 & 78 — DE3
	32	83127-77	PIN, idler gear shaft	77 & 78 — DE3
	33	83128-77	PLUG, fill	77 & 78 — DE3
	34	83129-77	O-RING, axle housing (2)	77 & 78 — DE3
	35	83130-77	PLATE, axle housing end (2)	77 & 78 — DE3
	36	83136-77	NEEDLE BEARING, pinion shaft	77 & 78 — DE3
	37	83138-77	SEAL, axle housing — outer (2)	77 & 78 — DE3
	38	83148-77	BALL BEARING, axle (2)	77 & 78 — DE3
	39	83151-77	KEY, hub (2)	77 & 78 — DE3
	40	83153-77	WHEEL HUB, with studs (2)	77 & 78 — DE3
	41	83155-77	THRUST WASHER, gear carrier — radial bearing (2)	77 & 78 — DE3
	42	83156-77	RADIAL BEARING, gear carrier	77 & 78 — DE3
	43	83157-77	WASHER, pinion bearing retaining ring — outer	77 & 78 — DE3
	46	83202-77	AXLE, right	77 & 78 — DE3
	47	83203-77	HOUSING, axle — right	77 & 78 — DE3
	48	83204-77	HOUSING, axle — left	77 & 78 — DE3
	49	83205-77	AXLE, shaft — left	77 & 78 — DE3
	50	83210-77	WASHER, pinion bearing retaining ring — inner	77 & 78 — DE3

NOTE: Asterisk (*) indicates part is used for latest model year shown on cover.



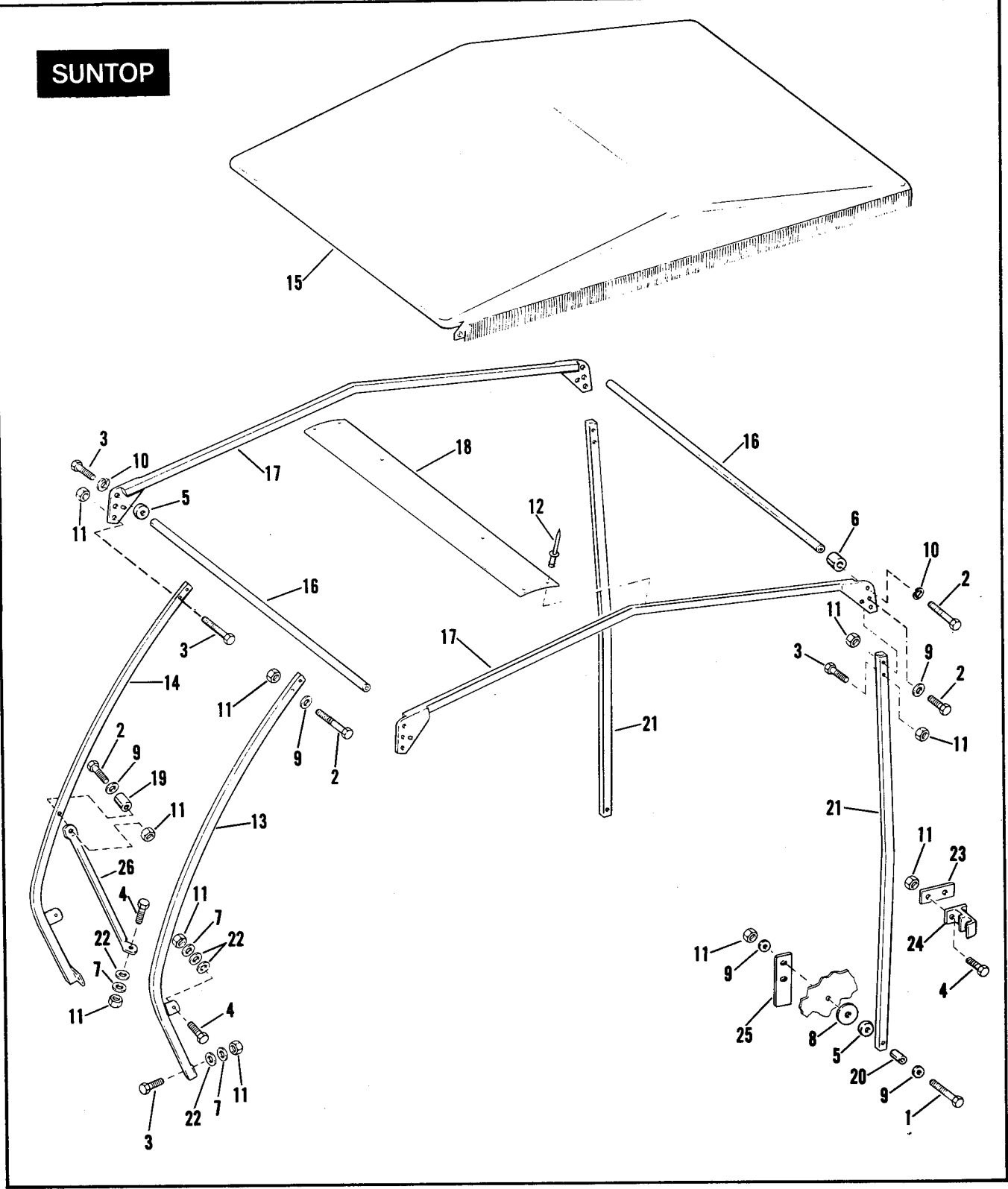
REAR AXLE AND DIFFERENTIAL — DANA — 1978 & LATER

F26A

RETAIL PRICE	INDEX NO.	PART NO.	N A M E	USED ON
	1	559	COTTER PIN, 1/8 x 1-1/4	78 to * — DE3
	2	4733	SCREW, 5/16-18 x 1 hex. hd. (2)	78 to * — DE3
	3	6702	WASHER, 5/16 x 11/16 x 1/16 (2)	78 to * — DE3
	4	41199—66A	MOUNTING STUD, wheel hub (8)	78 to * — DE3
	5	54524—73	MOUNTING BRACKET, shock absorber	78 to * — DE3
	6	82702—78	AXLE SHAFT, right	78 to * — DE3
	7	82703—78	AXLE SHAFT, left	78 to * — DE3
	8	82704—78	OIL SEAL, axle end (2)	78 to * — DE3
	9	82705—78	BEARING, axle end (2)	78 to * — DE3
	10	82706—78	RETAINING RING, axle bearing (4)	78 to * — DE3
	11	82707—78A	HUB, rear wheel (2)	78 to * — DE3
	12	82708—78	KEY, hub (2)	78 to * — DE3
	13	82717—78	THRUSTWASHER, pinion bearing	78 to * — DE3
	14	82723—78	BEARING CONE, pinion (2)	78 to * — DE3
	15	82724—78	SPACER, pinion bearings	78 to * — DE3
	16	82728—78	SHIM, differential bearing — .003"	78 to * — DE3
		82729—78	SHIM, differential bearing — .005"	78 to * — DE3
		82730—78	SHIM, differential bearing — .010"	78 to * — DE3
		82731—78	SHIM, differential bearing — .030"	78 to * — DE3
	17	82733—78	BEARING CONE, differential (2)	78 to * — DE3
	18	82734—78	GASKET, axle housing cover	78 to * — DE3
	19	82735—78	BOLT, axle housing cover (8)	78 to * — DE3
	20	82736—78	COVER, axle housing	78 to * — DE3
	21	82737—78	PLUG, axle housing cover	78 to * — DE3
	22	82748—78	BOLT, drive gear (4)	78 to * — DE3
	23	82749—78	BREATHER PLUG, axle housing cover	78 to * — DE3
	24	82750—78	PLUG, drain	78 to * — DE3
	25	82770—78	WASHER, axle nut (2)	78 to * — DE3
	26	82771—78	BEARING CUP, differential (2)	78 to * — DE3
	27	82772—78	DIFFERENTIAL GEAR SET	78 to * — DE3
	28	82806—78A	REAR AXLE AND DIFFERENTIAL ASSEMBLY, complete	78 to * — DE3
	29	82948—74	MATCHED PINION AND GEAR	78 to * — DE3
	30	83032—73	SHIM, pinion bearing — front — .003"	78 to * — DE3
		83033—73	SHIM, pinion bearing — front — .005"	78 to * — DE3
		83034—73	SHIM, pinion bearing — front — .010"	78 to * — DE3
		83035—73	SHIM, pinion bearing — front — .030"	78 to * — DE3
	31	83072—73	SHIM, pinion bearing — rear — .003"	78 to * — DE3
		83073—73	SHIM, pinion bearing — rear — .005"	78 to * — DE3
		83074—73	SHIM, pinion bearing — rear — .010"	78 to * — DE3
	32	83103—73	ROLL PIN, differential case	78 to * — DE3
	33	83104—73	SHAFT, idler gear	78 to * — DE3
	34	83108—74	NUT, pinion	78 to * — DE3
	35	83112—63A	BEARING CUP, pinion (2)	78 to * — DE3
	36	83125—73	DIFFERENTIAL CARRIER ASSEMBLY, with gears	78 to * — DE3
	37	83131—63	CASTLE NUT, axle shaft (2)	78 to * — DE3

NOTE: Asterisk (*) indicates part is used for latest model year shown on cover.

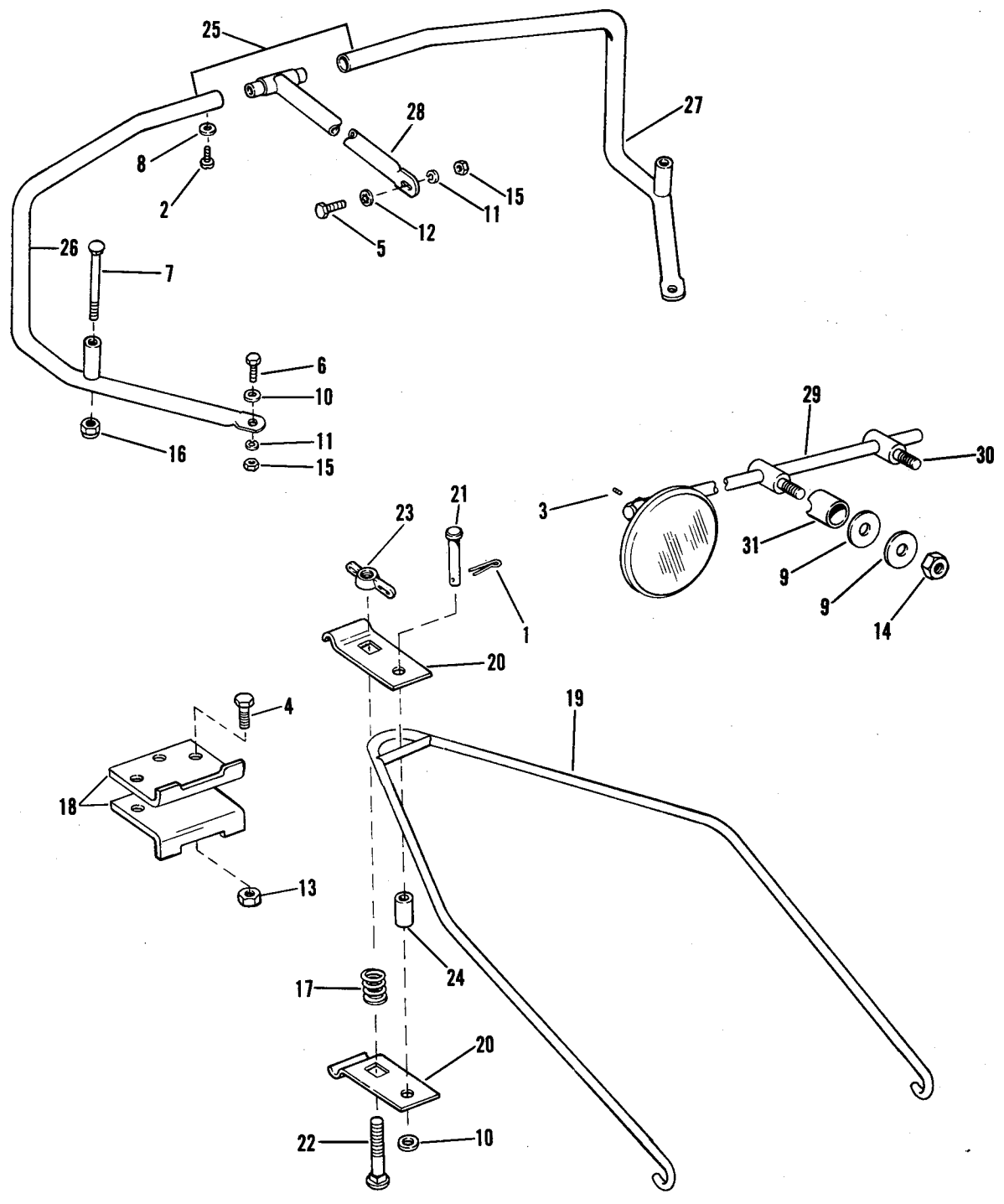
SUNTOP



RETAIL PRICE	INDEX NO.	PART NO.	N A M E	USED ON
	1	2667	BOLT, 5/16-18 x 2 hex. hd.	77 to * — DE3
	2	2818	BOLT, 5/16-18 x 1-1/2 hex. hd. (12)	77 to * — DE3
	3	2871W	BOLT, 5/16-18 x 1-1/4 hex. hd. (4)	77 to * — DE3
	4	3987	BOLT, 5/16-18 x 3/4 hex. hd. (8)	77 to * — DE3
	5	5919	SPACER, 1/4 (4)	77 to * — DE3
	6	5947W	SPACER, 9/16 (2)	77 to * — DE3
	7	6229W	WASHER, 5/16 x 1-1/16 x 1/16 (6)	77 to * — DE3
	8	6678W	WASHER, 11/32 x 1-1/2 x 5/32 (2)	77 to * — DE3
	9	6702	WASHER, 5/16 x 11/16 x 1/16 (10)	77 to * — DE3
	10	7041	LOCKWASHER, 5/16 (4)	77 to * — DE3
	11	7740	LOCKNUT, 5/16-18 x 1/4 x 1/2 hex. (22)	77 to * — DE3
	12	8483	POP RIVET, ridgeplate (4)	77 to * — DE3
		89450—74	SUNTOP, complete.	77 to * — DE3
	13	89451—74	SUPPORT TUBE, left front	77 to * — DE3
	14	89456—74	SUPPORT TUBE, right front	77 to * — DE3
	15	89457—74	COVER, suntop	77 to * — DE3
	16	89458—74	CROSSOVER TUBE, upper front & rear (2)	77 to * — DE3
	17	89461—74	SUPPORT TUBE, upper (2)	77 to * — DE3
	18	89464—74	RIDGEPLATE	77 to * — DE3
	19	89465—74	SPACER, front support tube, 7/8 (2)	77 to * — DE3
	20	89466—74	BUSHING, rear support tube pivot, 15/16 (2)	77 to * — DE3
	21	89467—74	SUPPORT TUBE, rear (2)	77 to * — DE3
	22	89470—74	RUBBER WASHER, front support tube (8)	77 to * — DE3
	23	89472—74	BACKING PLATE, rear guide (2)	77 to * — DE3
	24	89474—74	GUIDE, rear support tube (2)	77 to * — DE3
	25	89475—74	PLATE (2)	77 to * — DE3
	26	89476—74	BRACE, front support tube to housing (2)	77 to * — DE3

NOTE: Asterisk (*) indicates part is used for latest model year shown on cover.

FRONT BUMPER, TOW BAR AND MIRROR



FRONT BUMPER, TOW BAR AND MIRROR

F28

RETAIL PRICE	INDEX NO.	PART NO.	N A M E	USED ON
	1	534	COTTER PIN, 3/32 dia. x 1	77 to * — DE3
	2	2764W	SCREW, 1/4-20 x 5/8 self tapping Phillips hd. (2)	77 to * — DE3
	3	3233	SET SCREW, 1/4-28 x 1/8 socket hd.	77 to * — DE3
	4	3960W	BOLT, 5/16-24 x 1 hex. hd. (3)	77 to * — DE3
	5	4319	BOLT, 3/8-24 x 1 hex. hd.	77 to * — DE3
	6	4337W	BOLT, 3/8-24 x 1-1/4 hex. hd. (2)	77 to * — DE3
	7	4376W	BOLT, 1/2-20 x 7/8 hex. hd. (2)	77 to * — DE3
	8	6220W	WASHER, 1/4 x 7/16 x 1/32 (2)	77 to * — DE3
	9	6416	WASHER, 3/8 x 1 x 5/64 (4)	77 to * — DE3
	10	6701	WASHER, 3/8 x 13/16 x 1/16 (9)	77 to * — DE3
	11	7038	LOCKWASHER, 3/8 (3)	77 to * — DE3
	12	7130W	LOCKWASHER, 3/8 internal tooth	77 to * — DE3
	13	7729	LOCKNUT, 5/16-24 x 1/4 x 1/2 hex. (3)	77 to * — DE3
	14	7776W	LOCKNUT, 3/8-24 x 3/4 x 9/16 hex. (2)	77 to * — DE3
	15	7800W	NUT, 3/8-24 x 5/16 x 9/16 hex. (3)	77 to * — DE3
	16	7845	NUT, 1/4-20 x 7/16 x 3/4 hex. (2)	77 to * — DE3
	17	73074—61	SPRING, tow bar bracket	77 to * — DE3
	18	82007—74	BRACKET KIT, tow bar	77 to * — DE3
	19	82009—70A	TOW BAR ASSEMBLY, complete	77 to * — DE3
	20	82011—70	BRACKET, tow bar (2)	77 to * — DE3
	21	82012—70	PIN, tow bar bracket	77 to * — DE3
	22	82013—70	CARRIAGE BOLT, tow bar bracket	77 to * — DE3
	23	82014—70	WING NUT, tow bar bracket bolt	77 to * — DE3
	24	82015—70	SPACER, tow bar bracket pin	77 to * — DE3
	25	91070—70	FRONT BUMPER ASSEMBLY, complete	77 to * — DE3
	26	91071—70	BUMPER, left	77 to * — DE3
	27	91072—70	BUMPER, right	77 to * — DE3
	28	91083—70	CENTER SUPPORT, front bumper	77 to * — DE3
	29	91872—65B	REAR VIEW MIRROR, with fittings	77 to * — DE3
	30	91887—48	EYE BOLT, rear view mirror (2)	77 to * — DE3
	31	91890—48	COLLAR, eye bolt (2)	77 to * — DE3

NOTE: Asterisk (*) indicates part is used for latest model year shown on cover.

NUMERICAL INDEX

Part No.	Page	Part No.	Page	Part No.	Page	Part No.	Page	Part No.	Page
360 W	5		13	4337 W	57		7	7010	39
376	51	2871 W	23	4376 W	19		39	7015	27
384	7		35		57	6403 B	19		43
515	3		37	4380 W	45	6409	5		45
	5		55		49	6410	5	7036	5
	7	2885 M	33	4391	24	6416	3		11
	11	2888	31	4411	12		19		21
	19	3204 W	43	4412	12		57		25
534	57	3213	11	4427 W	7	6418 B	15		33
559	12	3233	57	4434 W	19	6440 B	19		39
	15	3239 W	11	4725	5	6469 HW	5		43
	25		12		11	6568 B	19		45
	25	3491	17	4730	45	6573	51	7038	41
	53	3728	43	4733	19	6607 W	19		45
610	3	3765	7		53	6678 W	55		49
	3	3767 B	5	5405 B	19	6681	45		57
612	5		11	5450 C	24		47	7039	15
1183	35	3768	45	5919	17		49	7041	5
1357 W	19	3794 W	17		55	6684	19		15
	21	3825	39	5927	17	6701	5		17
1719 W	17	3854	15		24		7		21
1764 W	7	3940	51	5940	33		7		23
1784	39	3945	19	5947 W	55		12		25
1785	39	3950	19	5965 B	27		45		33
2073 W	17	3957	51	5966 W	39		47		35
2280	45	3960 W	13	5977 W	11		49		37
2420	24		17	6075 W	39		57		43
2551 W	45		57	6107 B	23	6702	3		45
	47	3962	51	6150 W	17		7		55
	49	3974 HW	5	6165 W	3		13	7049	51
2556	39		11		39		17	7054	51
2595	39		21	6182 W	24		19	7061	51
2599	43		33		43		23	7068	19
2601	39	3977	51	6189 W	33		25	7069	39
2602	39	3987	3	6192	17		35		43
2612	27		17		45		37	7115	39
2625	43		23	6218 W	12		53	7118	5
2637	33		55	6220 W	57		55		35
2648	24	3991	15	6228 W	21	6703	7		39
2659	39	3996	11	6229 W	55		7	7124	17
2667	55	4014 W	15	6242 W	7		29		39
2668	5	4017	23		24		33	7127	23
	39		24	6253 W	39		39		43
2685 W	7	4036	27	6257 W	24		43	7130 W	41
	43		33	6266	23		45		57
2741	23	4064 W	5		25		47	7145 W	45
2764 W	57		11		27		49	7216	51
2784	24	4085 B	45	6321 H	5	6714 W	13	7416	17
2794	39		47		11	6716	3	7590	39
2796 W	5		49	6332 B	23		7	7607 B	15
	11	4319	13		25		25	7608	27
2808	43		15	6333	45		39		43
2813	31		41	6341 B	3	6717	39	7609 W	17
2818	55		57		23	6809	13		43
2828 W	12	4333	19	6375 B	5	6969	17	7620 W	39

NUMERICAL INDEX

Part No.	Page	Part No.	Page	Part No.	Page	Part No.	Page	Part No.	Page
7624	7		41		21	41776-72	5	45594-70	12
7638	43		45	12009	12	41777-72	5	45599-63	12
7643 W	5		49	12041	45	41778-72	5	45599-70	12
7661	51		57		47	41779-72	5	45630-70	12
7664	51	7845	15		49	41780-72	5	45632-70	12
7676	12		19	16246-77	45	41810-64A	5	45652-74	12
	39		57		49		11	46047-70	12
7682	5	7947 W	12	16246-79	45	41811-64A	5	46049-63A	12
7683	7	7993	13		47		11	46201-52	12
	39	7995	15	17485-71	39	41811-71	5	46939-80	17
7686	25	8112 B	5	24794-67	19		11	46940-80	17
	43		17	25785-30A	7	41834-67	7	47098-75A	19
	45	8206 W	23	26814-79	5	41841-63	5	47300-66A	19
	47	8212	27	31400-67B	17		11	47457-77	19
	49	8321	17	31404-80	17	42267-74	5	47524-66	19
7688	25		21	31405-70	23	42269-70	7	47741-63	7
	33	8480	35	31406-67	17		7	47743-63	7
	39		37	31407-67	17	42405-68	7	47744-66	11
	43	8483	17	31407-80A	17	42479-63A	7	47745-74	11
7725	7		55	31411-65	23	42482-63	7	47746-66	11
	11	8528 W	25	31414-80	17	42483-63	7	47748-72	5
	23		27	31415-67	17	42488-63B	7		11
	27	8641 B	25	31418-67A	17	42490-67	7	47749-67A	45
7727	5	8685	17	31419-67	17	42494-63B	7		47
	11		27	33874-41	7	42501-67	7		49
	25	8689	25	38078-47	5	42996-80	9	47761-74A	7
7728	5	8690	33		11	43017-66B	9	47761-81	7
	11		33	38712-68	31	43103-72	9		7
7729	5	8692	17	40497-68	3	43104-72	9	50110-69	33
	11		25	40501-63	3	43152-66	9	50216-81	25
	57	8858	5		3	43156-63	9	50225-73	19
7736	21		11	40512-68A	3	43158-65	9	50241-67	25
7737 W	21	9033	9	40516-68	3	43600-63	9	50243-67	19
7739	3	9045	12		3	43600-65	9	50244-67	19
7740	25	9857	35	40518-68	3	43614-66A	9	50252-74	25
	55	9859	35		3	43731-69	29	50253-66B	17
7741	19	9862	35	40522-63	3	43732-63A	9	50255-66B	17
7742	19	9863	35		3	43733-47	29	50258-81	25
	21	9866	35		27	43738-63A	9	50259-81	25
	25	9867	35		39	43738-81	9	50260-66B	17
7748 W	17	9868	35	41049-70	25	43874-81	9	50260-79	17
	23	9902	35		25	44908-74	19	50263-74A	25
	25	9911	35	41199-66A	9	44911-63	25	50269-81	25
	35	9923	35		53	44912-63A	25	50269-82	25
	37	9963	7	41421-74	5	44913-63B	25	50270-74	25
7753	15		35		11	44913-74A	25	50271-65	25
	23	9981	35	41422-74	5	44914-63A	25	50275-66	19
	33	10006	35		11	44915-63B	25	50275-67	25
	43		37	41422-82	5	44917-63	25	50277-67	19
	45	10007	35		11	44918-74	25	50278-67A	25
7775	19		37	41424-63	5	45070-51A	7	50279-67A	25
7776 W	57	11000	7		11	45529-74	12	50280-63A	25
7778	12	11104	7	41714-74	5	45581-67A	17	50281-67	25
	13	11417	21	41722-72	5	45584-63C	13	50302-79	17
7800 W	15	11422	5	41775-72	5	45593-70	12	50303-66A	17

NUMERICAL INDEX

Part No.	Page	Part No.	Page	Part No.	Page	Part No.	Page	Part No.	Page
50304-66	17	53493-71	21	64001-72B	17		37	71461-79	43
50340-67	25	53496-67	21	64003-67	17	70351-72	37	71470-63D	43
50346-67A	25	53498-71	21	64004-67	17	70406-72	31	71471-67A	43
50346-79A	25	53547-82	21	64009-63	17		37	71476-67A	43
50347-69	25	54514-73	19	66030-67	33	70407-72	31	71481-79	39
50347-80	25	54524-73	19	66036-72	31		37	71491-66A	41
50349-71	25		53	66043-72	31	70432-72	39	71506-67	39
50514-70	19	54524-77	19	66063-69B	31	70433-72	37	71513-66A	3
50523-72	19		51	66070-72	31		43	71514-68A	39
50528-67A	17	54564-73	19	66387-64	29	70451-72	35	71762-75	41
50529-67B	17	57011-74	13	66434-69A	33	70457-72	35	71765-75	41
50972-75	12	57021-74	13	66453-66	29	70458-72	35	71793-71	3
52042-72	25	57026-67	13	66462-66A	29	70463-69	37		3
	25	57063-67	15	66474-69	33	70463-71B	37		39
52043-72	5	57064-69	15	66491-80	33	70464-67A	35	71795-63A	35
52043-82	5	57065-67	15	66493-67	31	70464-72	35		39
52045-72	5	57066-68	15		33	70465-67	35	71798-66B	3
52045-82	5	57067-68	15	66494-80	33		37	71799-68	3
52049-75A	23	57068-67	15	66495-80	33	70472-67A	37	71820-63A	39
52051-75A	23	57070-68	15	66500-69	31		39	71850-63	39
52052-72	25	57071-68	15	66500-75	31	70478-72	37	71851-63	39
	25	57072-67	15	66501-69	31	70490-77	35	71852-63	39
52054-65A	23	57073-67	15	66501-76	31	70491-73	49	71853-63A	39
52056-72A	5	57074-68	15	66502-69	31	70551-69	35	72030-47	39
52057-72	25	57075-67A	15	66503-69	31	70552-69	35	72038-71	35
52058-75A	23	57076-68	15	66504-69	31	70553-69	35	72039-71	35
52059-72	25	57077-67	15		33	70554-69	35	72043-71	35
52061-82	23	57078-67	15	66505-69	31	70555-69	35	72044-71	35
52068-72	5	57080-67	15	66505-76	31	70556-71	35	72342-73	49
52070-74	5	57081-67	15	66506-69	31	70558-71	35	72343-73	49
52082-72	23	57082-67	15		33	70559-71	35	72347-73	49
52083-72	11	57084-67	15	66507-69	31	70584-69	35	72352-73	49
52085-80	25	57088-67	15		33	70589-69	35	72379-73	49
52088-72	23	57090-67	15	66508-69	31	70596-72	35	72380-72	49
52095-81	23	57202-74	13	66509-69	31	70597-72	35	72386-73	49
52107-72	23	57203-74	13		33		37	73074-61	5
52110-82	23	57204-74	12	66512-69	31	70621-79	37		57
52134-72A	23		13		33	70622-79	37	73092-61B	5
52135-72A	23	58011-74	27	66512-76	31	70623-79	37		7
52136-80	25	58012-74	27		33		43	73092-81	7
52165-81	23	58032-74	27	66513-69	31	70624-79	37		7
52165-81A	23	58034-74	27	66513-76	31	70626-79	37	74857-67A	43
52187-81	23	58054-74	27	66514-69	31	70627-79	37	74859-67A	43
52187-81A	23	58059-74	27	66515-76	31	70628-79	35	74861-67A	43
52188-81	23	58060-74	27		33		37	74862-67A	43
52189-81	23	58103-74	27	66516-76	31	70632-79	35	74873-72	43
52328-81	23	58105-74	27		33		37	74875-67	43
52630-72	23	58108-74	27	66517-76	31	71021-72	43	74885-67	39
52631-72	23	58174-74	27		33	71021-79	43	74886-67	39
53240-72	25	58175-74	27	66518-76	31	71023-65	41	74893-67	43
53470-71	21	59598-69	25	66520-72	33	71030-74	43	74894-63A	43
53487-65	21	59607-64A	25	70045-63	37	71030-79	43	74895-63	43
53488-67	21	59794-69A	25		39	71402-79	43	74898-72	43
53488-71	21	61253-79A	17	70193-72	37	71404-79	39	74899-72	43
53491-65	21	64001-72A	17	70199-63B	35	71445-79	41	82007-74	57

NUMERICAL INDEX

Part No.	Page	Part No.	Page	Part No.	Page	Part No.	Page	Part No.	Page
82009-70A	57	82926-79	47	83177-75	45	89470-74	55		
82011-70	57	82948-74	53	83178-75	45	89472-74	55		
82012-70	57	83004-72	19	83179-75	45	89474-74	55		
82013-70	57	83004-80	19	83180-75	45	89475-74	55		
82014-70	57	83032-73	53	83181-75	45	89476-74	55		
82015-70	57	83033-73	53	83182-75	45	91070-70	57		
82702-78	53	83034-73	53	83183-75	45	91071-70	57		
82703-78	53	83035-73	53	83184-75	45	91072-70	57		
82704-78	53	83044-77	51	83185-75	45	91083-70	57		
82705-78	53	83046-77	51	83186-75	45	91810-63A	35		
82706-78	53	83049-77	51	83187-75	45	91813-63	35		
82707-78A	9	83052-77	51	83188-75	45	91818-68	35		
	53	83054-77	51	83189-75	45	91872-65B	57		
82708-78	53	83056-77	51	83190-75	45	91887-48	57		
82717-78	53	83072-73	53		49	91890-48	57		
82723-78	53	83073-73	53	83191-75	45				
82724-78	53	83074-73	53	83192-75	45				
82728-78	53	83090-77	51	83193-75	45				
82729-78	53	83091-77	51	83194-75	45				
82730-78	53	83092-77	51	83202-77	51				
82731-78	53	83093-77	51	83203-77	51				
82733-78	53	83094-77	51	83204-77	51				
82734-78	53		51	83205-77	51				
82735-78	53	83103-73	53	83210-77	51				
82736-78	53	83104-73	53	83252-75	49				
82737-78	53	83108-74	53	83253-75	49				
82748-78	53	83109-77	51	83254-75	49				
82749-78	53	83111-77	51	83255-75	49				
82750-78	53	83112-63A	53	83256-75	49				
82770-78	53	83117-77	51	83257-75	49				
82771-78	53	83121-77	51	83259-75	49				
82772-78	53	83122-77	51	83260-75	49				
82806-78A	51	83123-77	51	83262-75	49				
	53	83124-77	51	83263-75	49				
82819-79	45	83125-73	53	83264-75	49				
	47	83127-77	51	83268-75	49				
82839-77	51	83128-77	51	83269-79	47				
82907-79	47	83129-77	51	83270-79	47				
82908-79	47	83130-77	51	83271-79	47				
82910-79	47	83131-63	53	83272-79	47				
82911-79	47	83136-77	51	83273-79	47				
82912-79	47	83138-77	51	83274-79	47				
82913-79	47	83148-77	51	83961-63A	9				
82914-79	47	83151-77	51	83975-37A	12				
82915-79	47	83153-77	9	85213-42A	19				
82916-79	47		51	89450-74	55				
82917-79	47	83155-77	51	89451-74	55				
82918-79	47	83156-77	51	89456-74	55				
82919-79	47	83157-77	51	89457-74	55				
82920-79	47	83171-75	45	89458-74	55				
82921-79	47	83172-75	45	89461-74	55				
82922-79	47	83173-75	45	89464-74	55				
82923-79	47	83174-75	45	89465-74	55				
82924-79	47	83175-75	45	89466-74	55				
82925-79	47	83176-75	45	89467-74	55				

NOTES



PARTS CATALOG USER'S COMMENT

The Harley-Davidson Technical Publications Department maintains a continuous effort to improve the quality, accuracy and usefulness of its publications. To do this effectively we need user feedback — your critical evaluation of this parts catalog.

Please comment on this catalog's completeness, accuracy, organization, usability and readability.

Did you find errors in this catalog? (Please list) _____

How can this catalog be improved? _____

Occupation: _____

Name _____ Dealership _____

Street _____ Department _____

City _____ State _____ Zip _____

Send your replies to:

Harley-Davidson, Technical Publications Department, P.O. Box 653, Milwaukee, Wi. 53201



Harley-Davidson Motor Co., Inc.
Technical Communications Dept.
Milwaukee, WI 53201