

AMF

**Harley-Davidson**

**PARTS CATALOG**

**1977**

**DE-3 Electric Golf Car**

## GENERAL INFORMATION

This Parts catalog has been prepared for your convenience when ordering parts for 1977 Model DE3 Electric Golf Car.

Number in parenthesis following description of part is the quantity needed for complete assembly shown in illustration. If there is no number in parenthesis, only one is used.

Prices of all parts and accessories listed in this catalog are published separately in the latest RETAIL PRICE LIST.

The following instructions should be followed carefully when ordering parts:

- Specify the correct part number on each item. Whenever in doubt about the model and year, refer to the Vehicle Identification Number stamped on the frame.

Vehicle Identification Number (V.I.N.) is located on the frame left side. The V.I.N. (vehicle identification number) for the DE3 model is as follows:

MODEL	First Two Digits (Model)	Next Five Digits (Sequential Number)	Second Last Digit (Manufacturer)	Last Digit (Model Season)
DE3	4B	10000 and up	H (Harley-Davidson)	7-1977 8-1978 (etc. )

Example: 1977 DE3 (4B 12151 H7)

- Part Numbers are to be used when ordering by TELEGRAM or CABLE.
- When ordering parts use our standard parts order blank Part No. 99511-76. The use of these blanks will enable us to fill and ship your order more promptly. These blanks are furnished free of charge upon request.
- Do not order golf cars or advertising matter on Parts Order Blanks. Write nothing on the order blank except the order itself, as any other correspondence will not be answered until the order is shipped and billed.
- Freight, Express and Parcel Post orders should be on separate order blanks.
- For your own records, number and date all orders, also keep a carbon copy for reference in case of misunderstanding.

COPYRIGHT 1977 BY HARLEY-DAVIDSON MOTOR CO., INC., ALL RIGHTS RESERVED.

Subsidiary of AMF Incorporated

Printed in U. S. A.

## ALPHABETICAL INDEX

	Page
Accelerator Pedal .....	3
Accessory Panel .....	17
Axle - Front .....	9
Bag Holders .....	21
Batteries .....	29
Battery Charger .....	31
Beverage Holder .....	23
Body .....	25
Brake Pedal .....	7
Bumper - Front .....	49
Bumper - Rear .....	25
Carry All .....	17
Cigarette Lighter .....	33
Disc Brake .....	11
Floor Mat .....	17
Fork - Front .....	12
Fork - Rear .....	19
Fork Housing .....	17
Frame .....	19
Handrail .....	23
Ignition Switch .....	37
Mirror .....	49
Rear Axle and Differential .....	45
Resistor .....	33
Seat .....	23
Seat Brake .....	5
Shields .....	17
Shock Absorber .....	19
Solenoids .....	39
Speed Switch .....	35
Splash Guard .....	25
Steering Tiller .....	13
Steering Wheel .....	15
Sun Top .....	47
Traction Motor - AMF .....	41
Traction Motor - GE .....	43
Tow Bar .....	49
Wheels .....	9
Windshield .....	27
Wiring .....	33

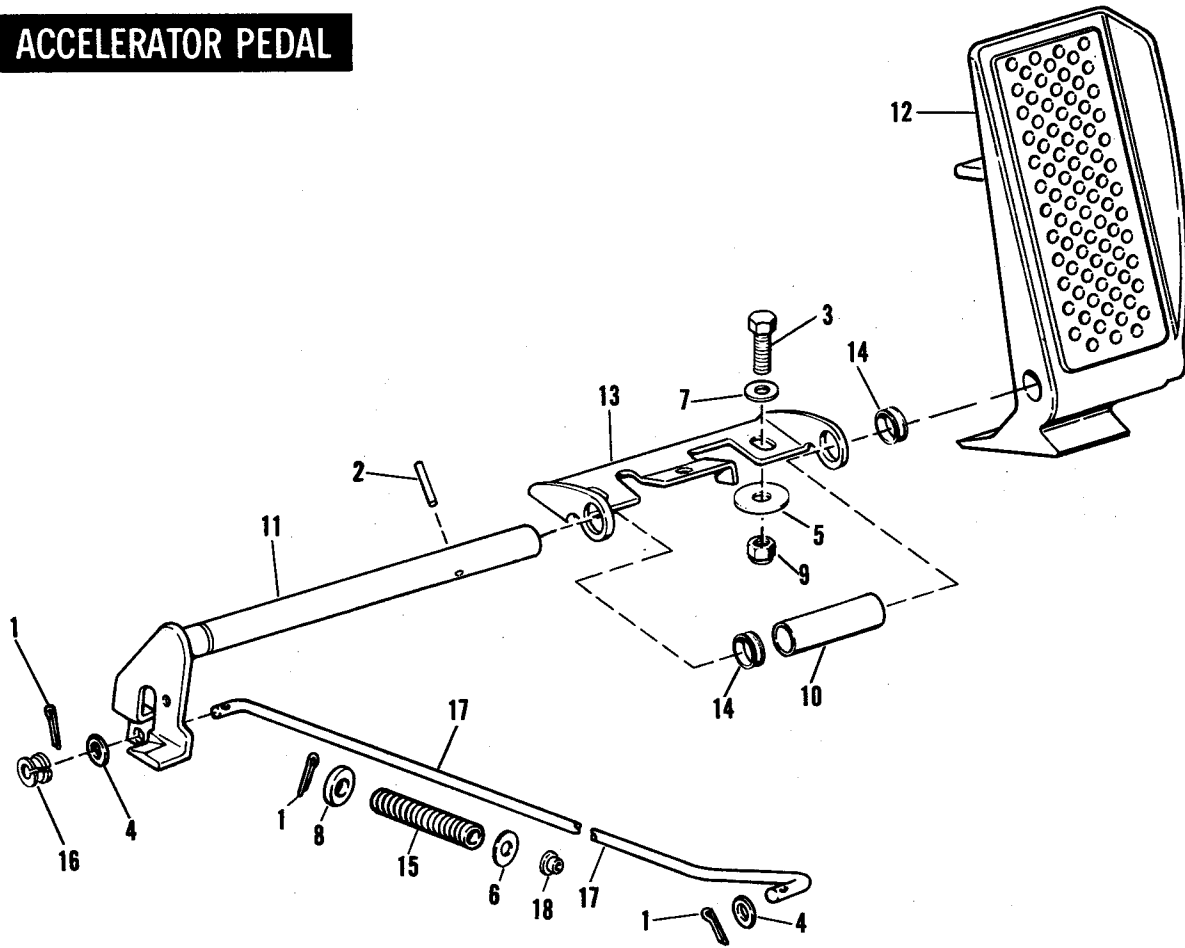
### NOTICE

Harley-Davidson products are manufactured under one or more of the following U. S. patents: 2986162, 2987934, 2998809, 3116089, 3144631, 3144860, 3226994, 3229792, 3434887, 3559773, 3673359, 3680403, 3683716, 3709317. Des. 225626.

To the best knowledge of Harley-Davidson Motor Co., Inc. the material contained herein is accurate as of the date this publication was approved for printing. Harley-Davidson Motor Co., inc. reserves the right to change specifications, equipment, or designs at any time without notice and without incurring obligation.

**AMF HARLEY-DAVIDSON MOTOR CO., INC.**

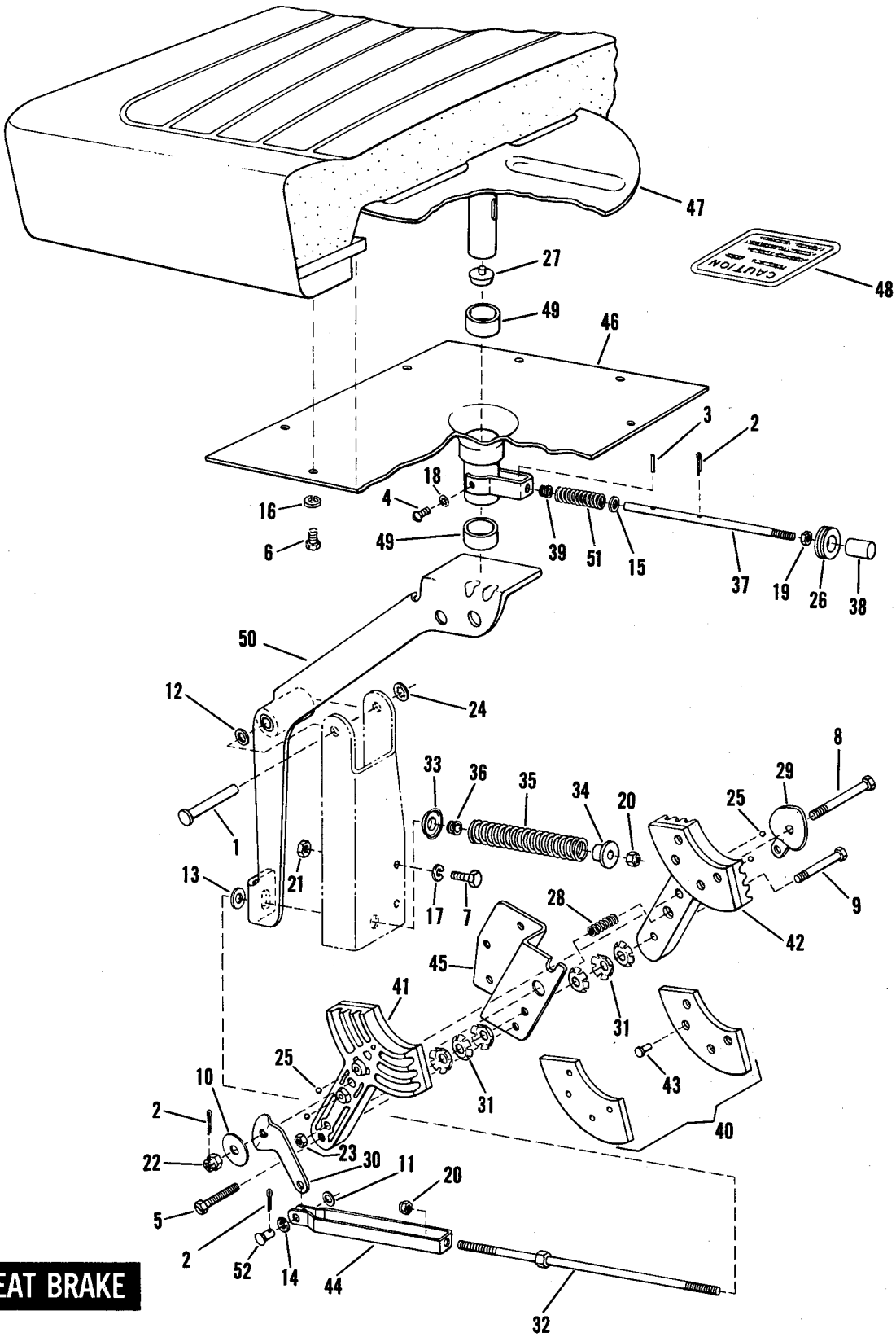
# ACCELERATOR PEDAL



# ACCELERATOR PEDAL

INDEX NO.	PART NO.	N A M E	USED ON
1	515	COTTER PIN, 1/16 x 3/4 (3).....	77 to * - DE3
2	610	ROLL PIN, accelerator pedal.....	77 to * - DE3
3	3987	BOLT, 5/16-18 x 3/4 hex. hd. (2).....	77 to * - DE3
4	6165W	WASHER, 3/16 x 3/8 x 1/32 (2).....	77 to * - DE3
5	6341B	WASHER, 5/16 x 1-1/8 x 1/16 (2).....	77 to * - DE3
6	6416	WASHER, 3/8 x 1 x 5/64.....	77 to * - DE3
7	6702	WASHER, 5/16 x 11/16 x 1/16 (2).....	77 to * - DE3
8	6716	WASHER, No. 10 x 1/2 x 3/64.....	77 to * - DE3
9	7739	LOCKNUT, 5/16-18 x 11/32 x 1/2 hex. (2).....	77 to * - DE3
10	40501-63	BUSHING SPACER, accelerator.....	77 to * - DE3
11	40512-68A	INTERLOCK SHAFT, accelerator - with bearing.....	77 to * - DE3
12	40516-68	ACCELERATOR PEDAL.....	77 to * - DE3
13	40518-68	BRACKET, accelerator.....	77 to * - DE3
14	40522-63	BUSHING, accelerator (2).....	77 to * - DE3
15	71513-66A	SPRING, speed switch rod.....	77 to * - DE3
16	71793-71	BEARING, accelerator interlock shaft.....	77 to * - DE3
17	71798-66B	ROD, accelerator linkage.....	77 to * - DE3
18	71799-68	NYLON BUSHING, speed switch rod.....	77 to * - DE3

**NOTE:** Asterisk (\*) indicates part is used for latest model year shown on cover.



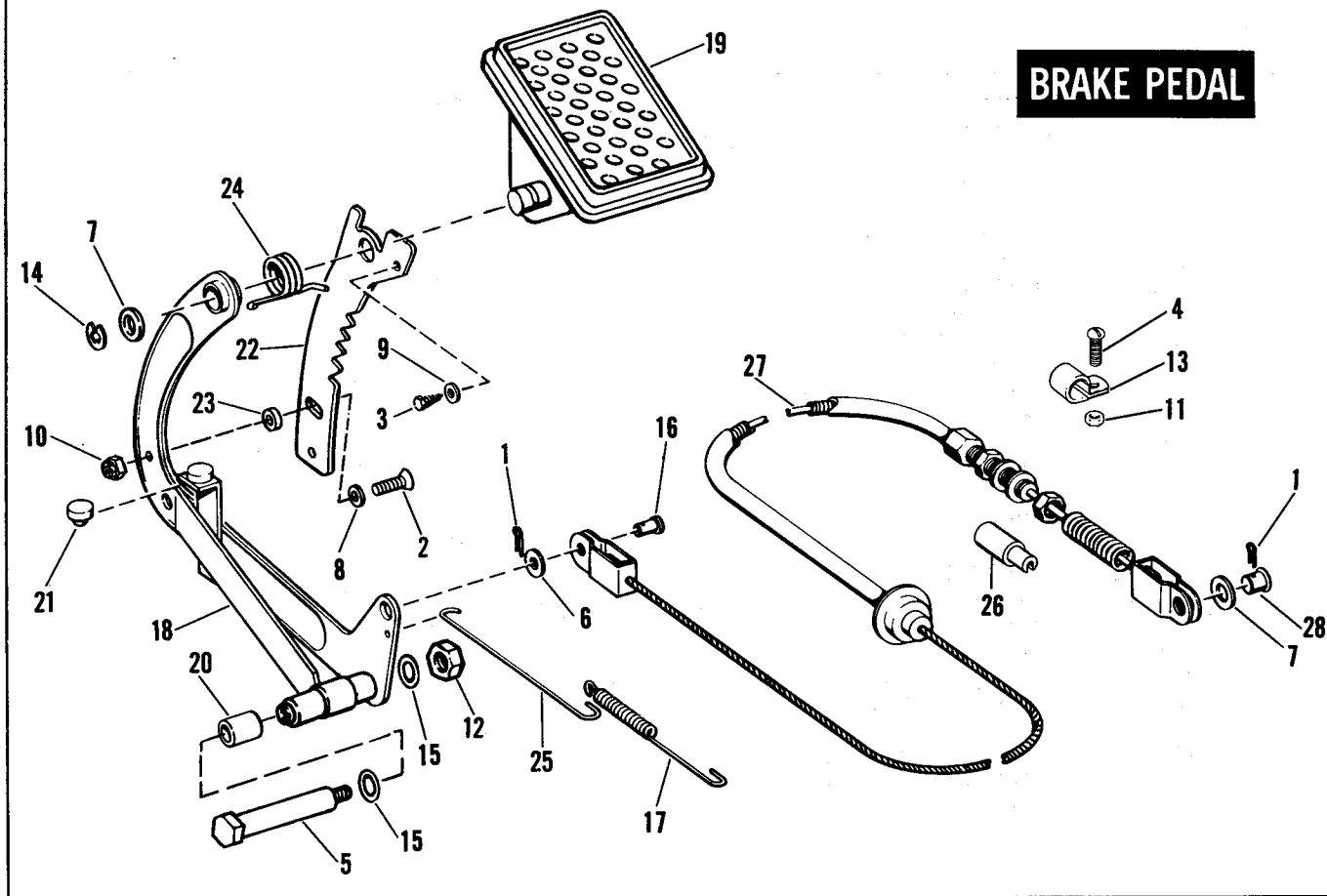
**SEAT BRAKE**

# SEAT BRAKE

INDEX NO.	PART NO.	NAME	USED ON
1	360W	PIVOT PIN, seat brake lever.....	77 to * - DE3
2	515	COTTER PIN, 1/16 x 3/4 (3).....	77 to * - DE3
3	612	ROLL PIN, lockout rod.....	77 to * - DE3
4	2668	SCREW, No. 10-24 x 9/16 Pozidriv pan hd. ....	77 to * - DE3
5	2796W	SCREW, 1/4-20 x 1-1/2 hex. slot hd. (w/lock patch) .....	77 to * - DE3
6	3767B	BOLT, 1/4-20 x 5/8 hex. hd. (4) .....	77 to * - DE3
7	3974HW	BOLT, 5/16-24 x 3/4 hex. hd. (2) .....	77 to * - DE3
8	4064W	BOLT, 5/16-24 x 3-3/4 hex. hd. (drilled).....	77 to * - DE3
9	4725	BOLT, 5/16-24 x 2-3/4 hex. hd.....	77 to * - DE3
10	6321H	WASHER, 11/32 x 1 x 5/64.....	77 to * - DE3
11	6375B	WASHER, 3/8 x 9/16 x 1/32.....	77 to * - DE3
12	6409	WASHER, 1/2 x 3/4 x 1/32 nylon .....	77 to * - DE3
13	6410	WASHER, 1/4 x 9/16 x 1/16 nylon .....	77 to * - DE3
14	6469HW	WASHER, 7/16 x 3/4 x 1/8.....	77 to * - DE3
15	6701	WASHER, 3/8 x 13/16 x 1/16.....	77 to * - DE3
16	7036	LOCKWASHER, 1/4 (4).....	77 to * - DE3
17	7041	LOCKWASHER, 5/16 (2).....	77 to * - DE3
18	7118	LOCKWASHER, No. 10 internal tooth.....	77 to * - DE3
19	7643W	JAM NUT, 3/8-16 x 7/32 x 9/16 hex.....	77 to * - DE3
20	7682	LOCKNUT, 1/4-28 x 3/16 x 7/16 hex. (2).....	77 to * - DE3
21	7727	LOCKNUT, 5/16-24 x 1/4 x 1/2 hex. (2).....	77 to * - DE3
22	7728	CASTLE NUT, 5/16-24 x 15/32 x 1/2 hex.....	77 to * - DE3
23	7729	LOCKNUT, 5/16-24 x 1/4 x 1/2 hex.....	77 to * - DE3
24	8112B	PUSH NUT, lever pivot pin.....	77 to * - DE3
25	8858	BALL (4) .....	77 to * - DE3
26	11422	GROMMET, lockout knob.....	77 to * - DE3
27	26814-67	CONTACT BUTTON, plunger plate.....	77 to * - DE3
28	38078-47	SPRING, brake shoe.....	77 to * - DE3
29	41421-74	BRAKE CAM LEVER.....	77 to * - DE3
30	41422-74	BRAKE CAM .....	77 to * - DE3
31	41424-63	SPRING WASHER (6) .....	77 to * - DE3
32	41714-74	OPERATING ROD.....	77 to * - DE3
33	41722-72	RETAINER, operating rod spring.....	77 to * - DE3
34	41775-72	GUIDE, operating rod spring.....	77 to * - DE3
35	41776-72	SPRING, operating rod.....	77 to * - DE3
36	41777-72	BUSHING, operating rod .....	77 to * - DE3
37	41778-72	LOCKOUT ROD.....	77 to * - DE3
38	41779-72	KNOB, lockout .....	77 to * - DE3
39	41780-72	BUSHING, lockout knob.....	77 to * - DE3
40	41810-64A	SET OF BRAKE LININGS AND RIVETS.....	77 to * - DE3
41	41811-64A	BRAKE SHOE, front.....	77 to * - DE3
42	41811-71	BRAKE SHOE, rear .....	77 to * - DE3
43	41841-63	RIVET, brake lining (8).....	77 to * - DE3
44	42267-74	CLEVIS.....	77 to * - DE3
45	47748-72	BRACKET, brake shoe .....	77 to * - DE3
46	52043-72	GUIDE PLATE, plunger plate .....	77 to * - DE3
47	52045-72	PLUNGER PLATE, seat brake .....	77 to * - DE3
48	52056-72A	CAUTION LABEL.....	77 to * - DE3
49	52068-72	BUSHING, guide plate (2) .....	77 to * - DE3
50	52070-74	LEVER, seat brake .....	77 to * - DE3
51	73074-61	SPRING, lockout rod .....	77 to * - DE3
52	73092-61B	PIN, clevis to brake.....	77 to * - DE3

NOTE: Asterisk (\*) indicates part is used for latest model year shown on cover

# BRAKE PEDAL

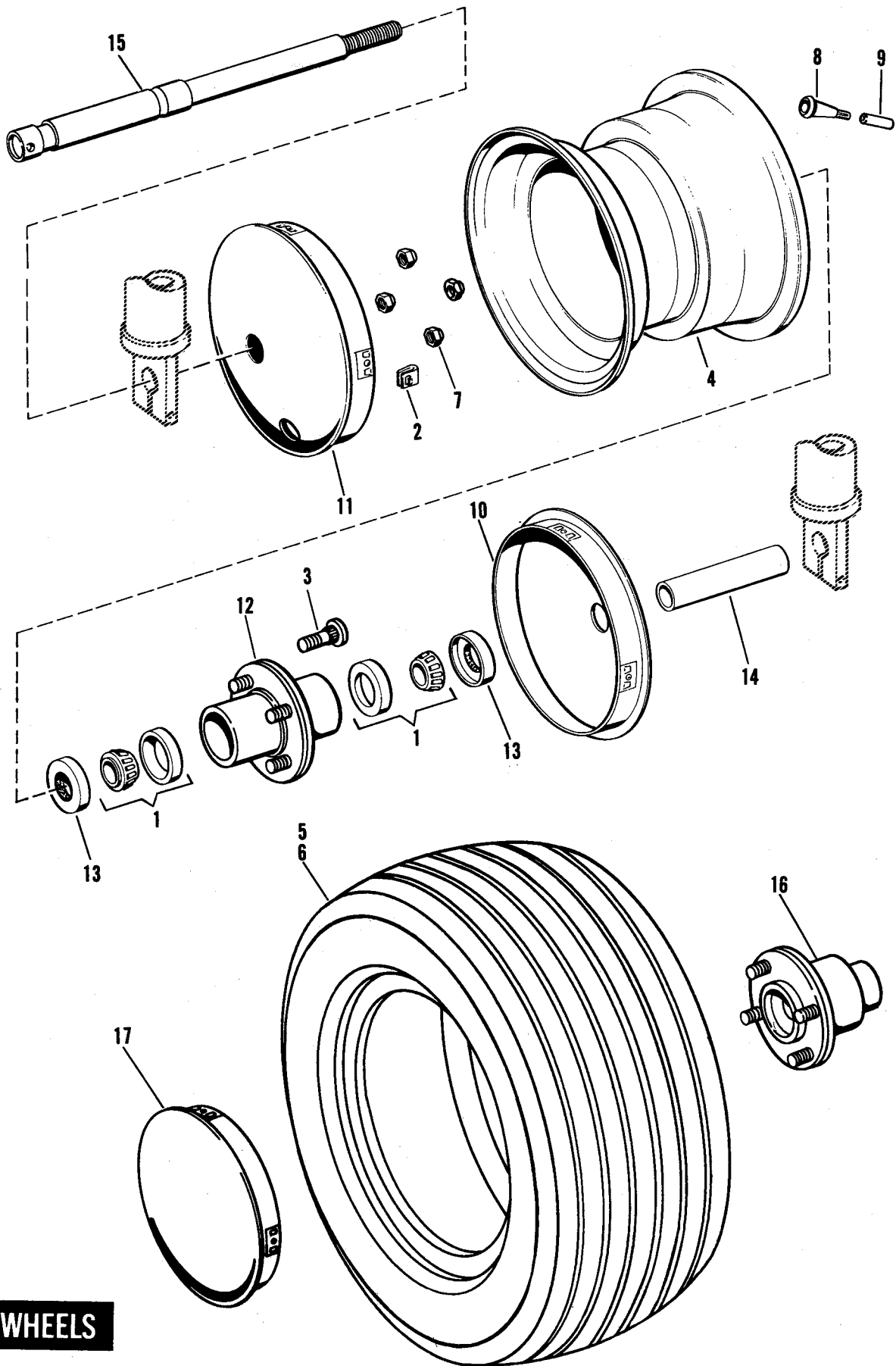




# BRAKE PEDAL

INDEX NO.	PART NO.	N A M E	USED ON
1	515	COTTER PIN, 1/16 x 3/4 (3).....	77 to * - DE3
2	1764W	SCREW, No. 10-24 x 1-1/8 ctsk. flat socket hd. ....	77 to * - DE3
3	2685W	SCREW, No. 10-24 x 5/8 self tapping hex. hd. ....	77 to * - DE3
4	3765	BOLT, 1/4-28 x 5/8 hex. hd. ....	77 to * - DE3
5	4427W	SHOULDER BOLT, brake pedal.....	77 to * - DE3
6	6242W	WASHER, 1/4 x 9/16 x 1/32.....	77 to * - DE3
7	6375B	WASHER, 3/8 x 37/64 x 1/32 (2).....	77 to * - DE3
8	6702	WASHER, 5/16 x 11/16 x 1/16.....	77 to * - DE3
9	6716	WASHER, No. 10 x 1/2 x 3/64.....	77 to * - DE3
10	7624	LOCKNUT, No. 10-24 x 1/4 x 3/8 hex.....	77 to * - DE3
11	7683	LOCKNUT, 1/4-28 x 5/16 x 7/16 hex.....	77 to * - DE3
12	7725	LOCKNUT, 5/16-24 x 11/32 x 1/2 hex.....	77 to * - DE3
13	9963	CLAMP, brake cable.....	77 to * - DE3
14	11000	RETAINING RING, brake pedal.....	77 to * - DE3
15	11104	O-RING, brake lever (2).....	77 to * - DE3
16	33874-41	CLEVIS PIN, brake cable (pedal end).....	77 to * - DE3
17	41834-67	SPRING, brake pedal return.....	77 to * - DE3
18	42405-66B	LEVER, brake pedal, with spring.....	77 to * - DE3
19	42479-63A	BRAKE PEDAL, only.....	77 to * - DE3
20	42482-63	BUSHING, brake lever.....	77 to * - DE3
21	42483-63	BUMPER, brake lever (rubber).....	77 to * - DE3
22	42488-63B	RATCHET, brake lever.....	77 to * - DE3
23	42490-67	SPACER, pedal ratchet.....	77 to * - DE3
24	42494-63B	RATCHET SPRING, brake lever.....	77 to * - DE3
25	42501-67	PULL WIRE, brake pedal.....	77 to * - DE3
26	47741-63	SPACER, brake cable (for repairs).....	77 to * - DE3
27	47761-74	BRAKE CONTROL CABLE AND COIL ASSEMBLY.....	77 to * - DE3
28	73092-61B	CLEVIS PIN, brake cable (brake end).....	77 to * - DE3

**NOTE:** Asterisk (\*) indicates part is used for latest model year shown on cover.



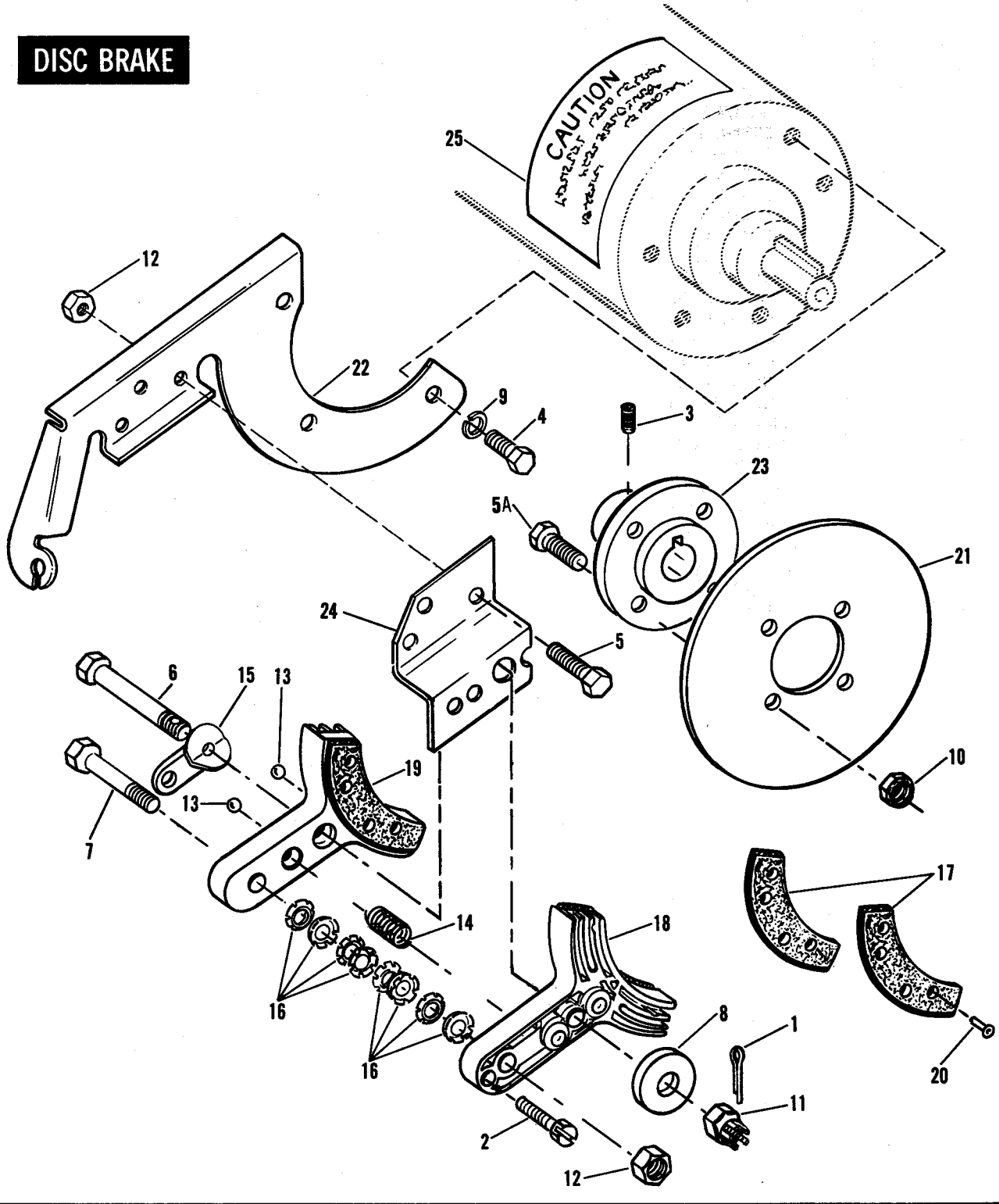
**WHEELS**

# WHEELS

INDEX NO.	PART NO.	N A M E	USED ON
1	9033	BEARING, front wheel (2).....	77 to * - DE3
2	9977	CLIP, hub cap (4).....	77 to * - DE3
3	41199-66A	MOUNTING STUD, wheel hub (4).....	77 to * - DE3
4	43017-66B	WHEEL RIM (9.50 x 8).....	77 to * - DE3
5	43103-72	TIRE, rib tread (8.50 x 8 - 4 ply).....	77 to * - DE3
6	43104-72	TIRE, traction tread (8.50 x 8 - 4 ply).....	77 to * - DE3
7	43152-66	WHEEL NUT (12).....	77 to * - DE3
8	43156-63	VALVE WITH CORE.....	77 to * - DE3
9	43158-65	TIRE VALVE EXTENSION, front wheel.....	77 to * - DE3
10	43600-63	HUB CAP, front wheel.....	77 to * - DE3
11	43600-65	HUB CAP, left (with hole for valve stem).....	77 to * - DE3
12	43614-66A	HUB ASSEMBLY, front wheel (includes bearings & seals)...	77 to * - DE3
13	43732-63A	SEAL, front wheel (2).....	77 to * - DE3
14	43738-63A	SPACER, front axle.....	77 to * - DE3
15	43874-70	FRONT AXLE.....	77 to * - DE3
16	83153-77	HUB, rear wheel (with studs) (2).....	77 to * - DE3
17	83961-63A	HUB CAP, rear wheel (2).....	77 to * - DE3

**NOTE:** Asterisk (\*) indicates part is used for latest model year shown on cover.

# DISC BRAKE

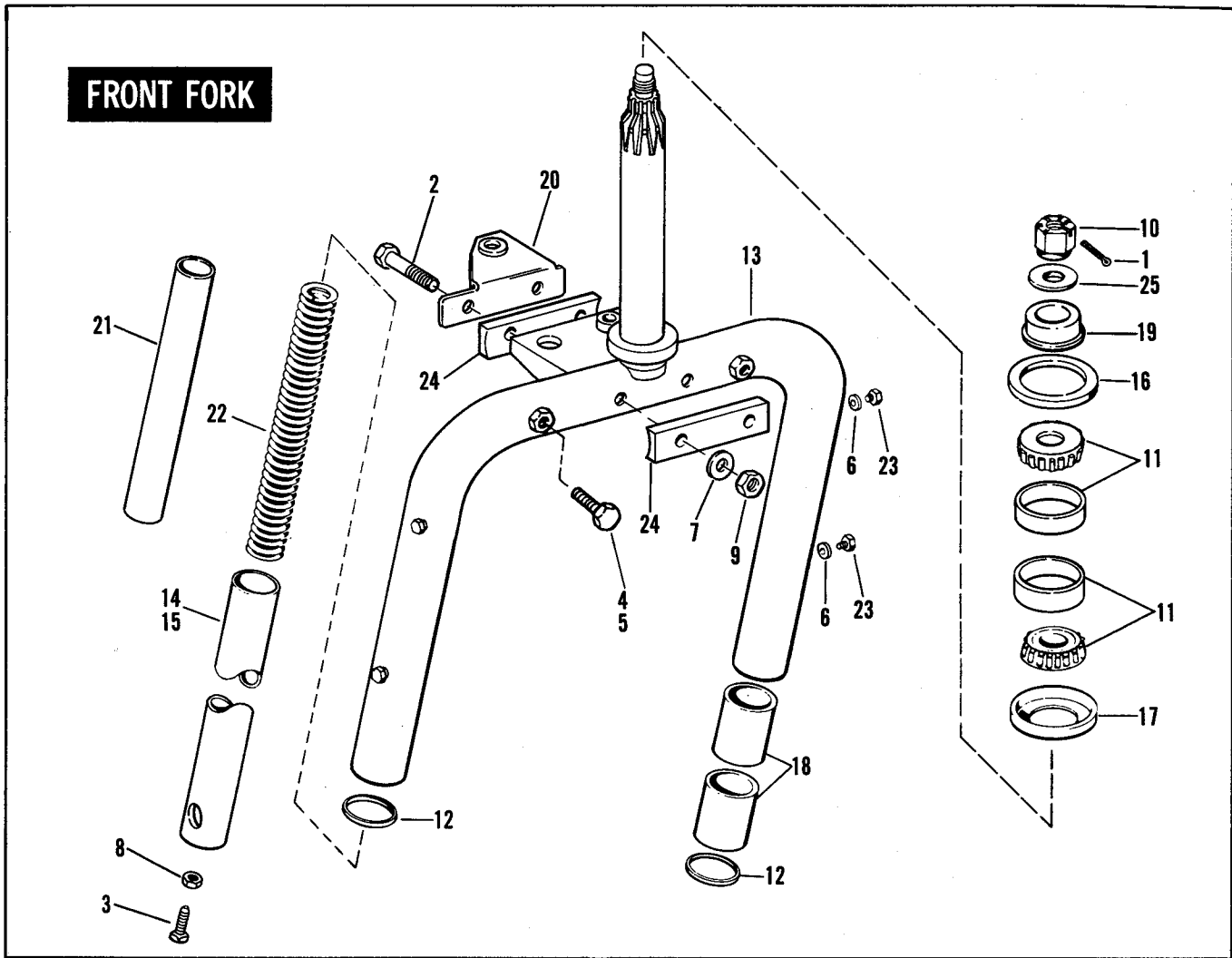


# DISC BRAKE

INDEX NO.	PART NO.	N A M E	USED ON
1	515	COTTER PIN, 1/16 dia. x 3/4 .....	77 to * - DE3
2	2796W	SCREW, 1/4-20 x 1-1/2 hex. slot hd. (w/lock patch) .....	77 to * - DE3
3	3239W	SET SCREW, 1/4-20 x 1/8 socket hd. (2) .....	77 to * - DE3
4	3767B	BOLT, 1/4-20 x 5/8 hex. hd. (3) .....	77 to * - DE3
5	3974HW	BOLT, 5/16-24 x 3/4 hex. hd. (2) .....	77 to * - DE3
5A	3996	BOLT, 5/16-24 x 7/8 hex. hd. (4) .....	77 to * - DE3
6	4064W	BOLT, 5/16-24 x 3-3/4 hex. hd. (drilled) .....	77 to * - DE3
7	4725	BOLT, 5/16-24 x 2-3/4 hex. hd. ....	77 to * - DE3
8	5977W	SPACER .....	77 to * - DE3
9	7036	LOCKWASHER, 1/4 (3) .....	77 to * - DE3
10	7727	LOCKNUT, 5/16-24 x 1/4 x 1/2 hex. (4) .....	77 to * - DE3
11	7728	CASTLE NUT, 5/16-24 x 15/32 x 1/2 hex. ....	77 to * - DE3
12	7729	LOCKNUT, 5/16-24 x 1/4 x 1/2 hex. (3) .....	77 to * - DE3
13	8858	BALL, cam lever .....	77 to * - DE3
14	38078-47	SPRING, brake shoe .....	77 to * - DE3
15	41421-74	BRAKE CAM LEVER .....	77 to * - DE3
16	41424-63	SPRING WASHER (6) .....	77 to * - DE3
17	41810-64A	SET OF BRAKE LININGS AND RIVETS. ....	77 to * - DE3
18	41811-64A	BRAKE SHOE, front. ....	77 to * - DE3
19	41811-71	BRAKE SHOE, rear .....	77 to * - DE3
20	41841-63	RIVET, brake lining (8) .....	77 to * - DE3
21	47744-66	BRAKE DISC .....	77 to * - DE3
22	47745-74	BRACKET, brake mounting .....	77 to * - DE3
23	47746-66	HUB, brake disc .....	77 to * - DE3
24	47748-72	BRACKET, brake shoe .....	77 to * - DE3
25	52083-72	CAUTION LABEL, brake adjustment .....	77 to * - DE3

**NOTE:** Asterisk (\*) indicates part is used for latest model year shown on cover.

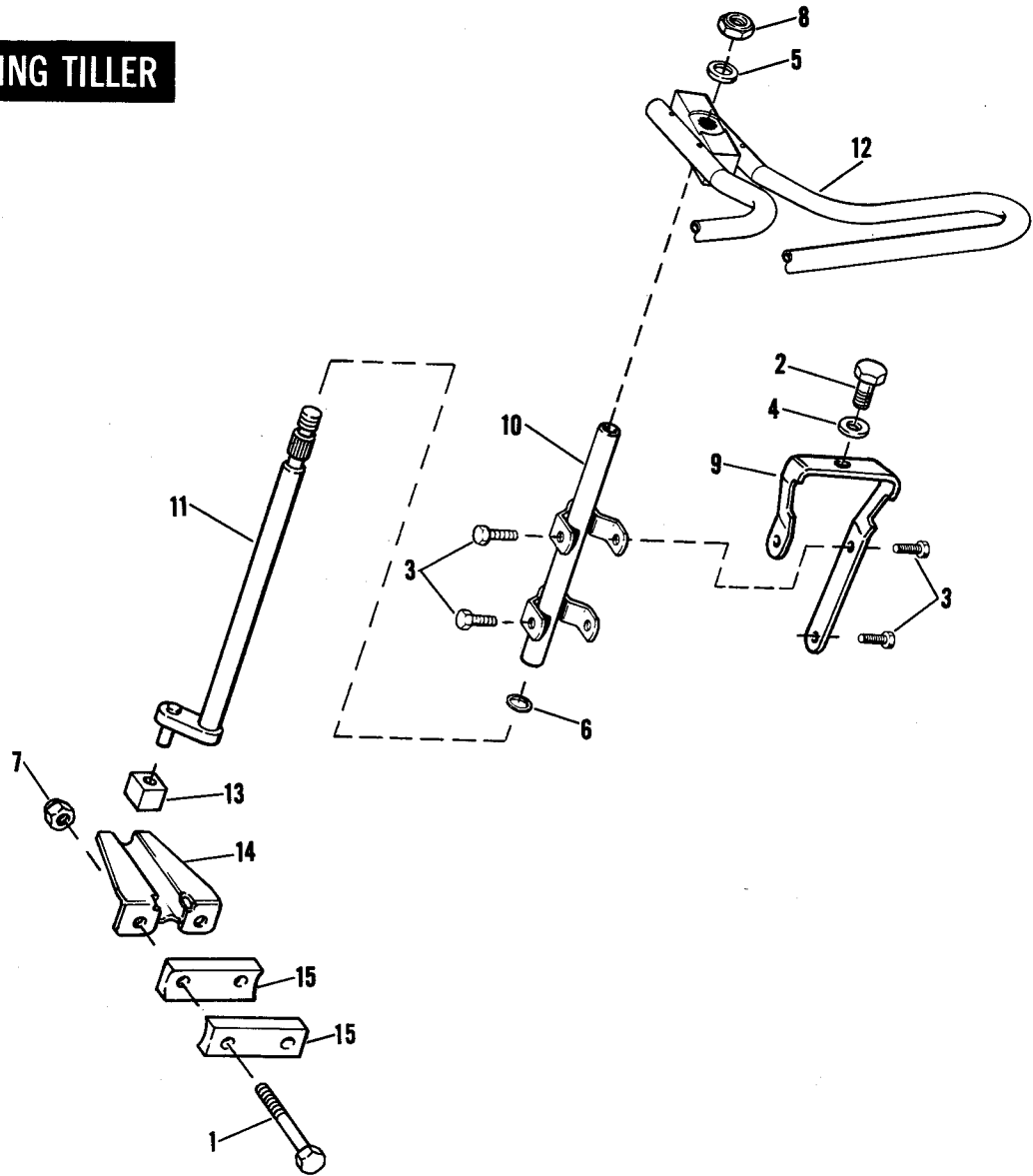
# FRONT FORK



## FRONT FORK

INDEX NO.	PART NO.	NAME	USED ON
1	559	COTTER PIN, 1/8 x 1-1/4.....	77 to * - DE3
2	2828W	BOLT, 3/8-16 x 3 hex. hd. (2).....	77 to * - DE3
3	3239W	BOLT, 1/4-28 x 3/4 square hd.....	77 to * - DE3
4	4411	BOLT, 3/8-24 x 1-3/4 hex. hd. (steering wheel) (2).....	77 to * - DE3
5	4412	BOLT, 3/8-24 x 2-1/2 hex. hd. (tiller) (2).....	77 to * - DE3
6	6218W	WASHER, 1/4 x 7/16 x 1/32 (brass) (2).....	77 to * - DE3
7	6701	WASHER, 3/8 x 13/16 x 1/16 (2).....	77 to * - DE3
8	7676	NUT, 1/4-28 x 7/32 x 7/16 hex.....	77 to * - DE3
9	7778	LOCKNUT, 3/8-16 x 7/16 x 9/16 hex. (2).....	77 to * - DE3
10	7947W	CASTLE NUT, 5/8-18 x 1/2 x 15/16 hex.....	77 to * - DE3
11	9045	ROLLER BEARING (2).....	77 to * - DE3
12	12009	SEAL (2).....	77 to * - DE3
13	45529-74	FORK WITH BUSHINGS.....	77 to * - DE3
14	45593-70	FORK SLIDER, right.....	77 to * - DE3
15	45594-70	FORK SLIDER, left.....	77 to * - DE3
16	45599-63	BEARING GUARD, steering head.....	77 to * - DE3
17	45599-70	BEARING GUARD, steering head.....	77 to * - DE3
18	45630-70	BUSHING, fork tube (4).....	77 to * - DE3
19	45632-70	SPACER, fork stem.....	77 to * - DE3
20	45652-74	BRACKET, fork.....	77 to * - DE3
21	46047-70	LINER, fork spring (2).....	77 to * - DE3
22	46049-63A	SPRING (2).....	77 to * - DE3
23	46201-52	FORK PLUG (2).....	77 to * - DE3
24	57204-74	SPACER (2).....	77 to * - DE3
25	83975-37A	WASHER, 5/8 x 1-1/2 x 1/16.....	77 to * - DE3

# STEERING TILLER

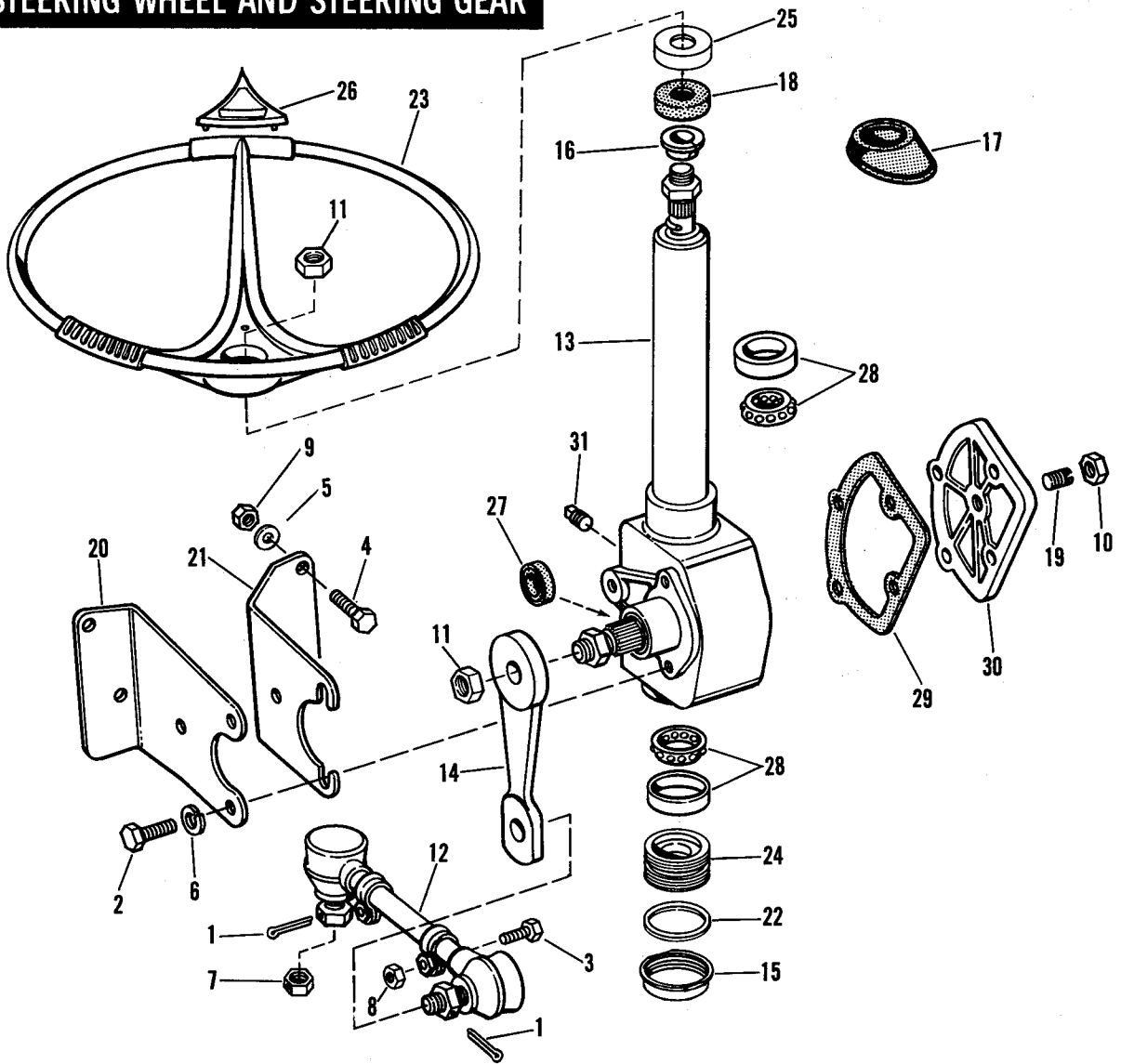


## STEERING TILLER

INDEX NO.	PART NO.	NAME	USED ON
1	2828W	BOLT, 3/8-16 x 3 hex. hd. (2)	77 to * - DE3
2	3960W	BOLT, 5/16-24 x 1 hex. hd.	77 to * - DE3
3	4319	BOLT, 3/8-24 x 1 hex. hd. (4)	77 to * - DE3
4	6702	WASHER, 5/16 x 11/16 x 1/16.	77 to * - DE3
5	6714W	WASHER, 5/8 x 1 x 1/32.	77 to * - DE3
6	6809	THRUST WASHER, 3/4 x 1 x 1/32 (2)	77 to * - DE3
7	7778	LOCKNUT, 3/8-16 x 7/16 x 9/16 hex. (2)	77 to * - DE3
8	7993	LOCKNUT, 5/8-18 x 3/8 x 15/16 hex.	77 to * - DE3
9	45584-63C	BRACKET, steering head - tiller.	77 to * - DE3
10	57011-74	TILLER SHAFT TUBE ASSEMBLY.	77 to * - DE3
11	57021-74	TILLER SHAFT	77 to * - DE3
12	57026-67	TILLER BAR ASSEMBLY.	77 to * - DE3
13	57202-74	SLIDER BLOCK, tiller	77 to * - DE3
14	57203-74	CHANNEL, slider block	77 to * - DE3
15	57204-74	SPACER (2)	77 to * - DE3

**NOTE:** Asterisk (\*) indicates part is used for latest model year shown on cover.

# STEERING WHEEL AND STEERING GEAR



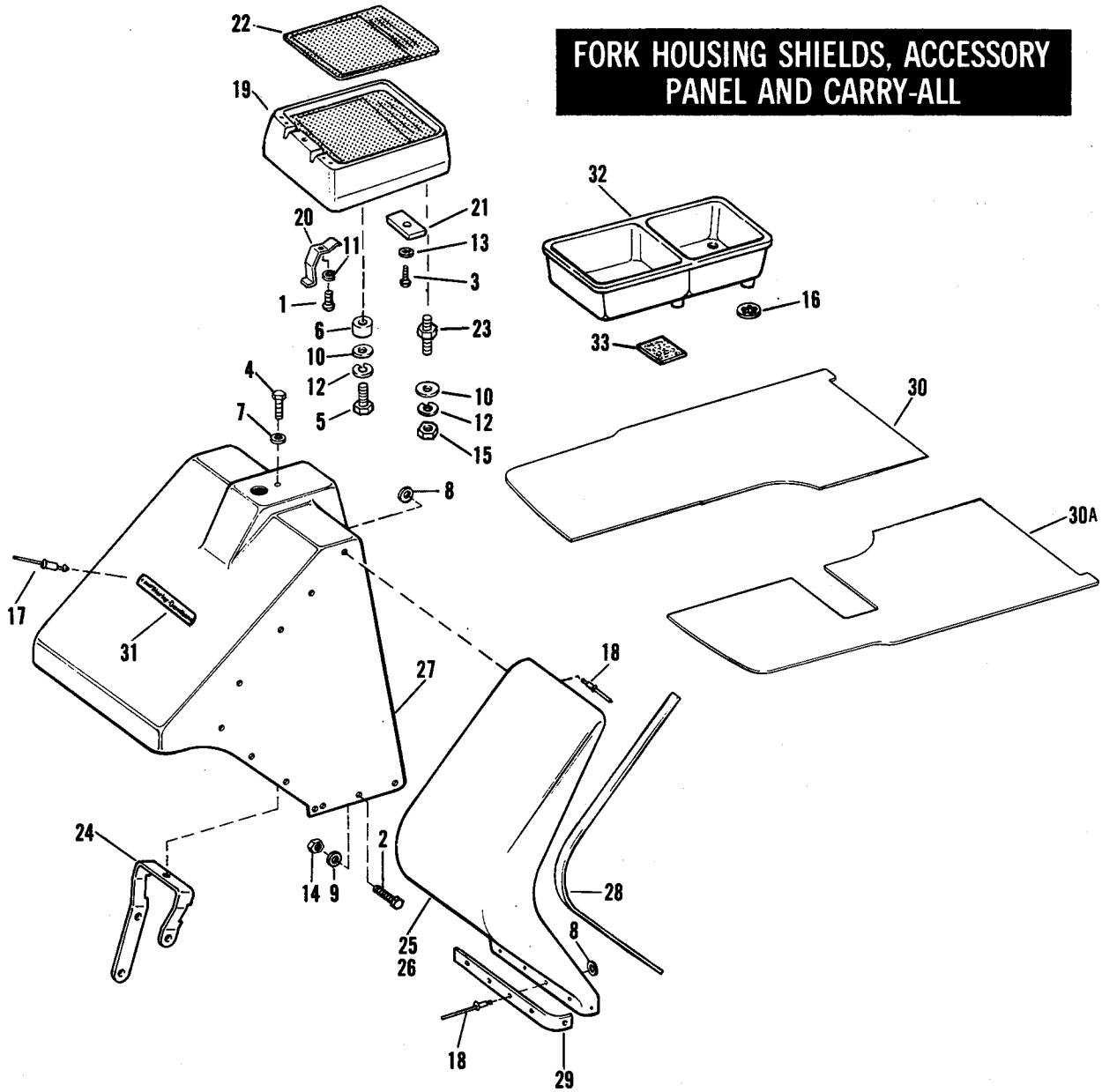


# STEERING WHEEL AND STEERING GEAR

INDEX PART		NAME	USED ON
NO.	NO.		
1	559	COTTER PIN, 1/8 dia. x 1-1/4 (2).....	77 to * - DE3
2	3854	BOLT, 7/16-14 x 1 hex. hd. (3).....	77 to * - DE3
3	4014W	BOLT, 5/16-24 x 1-1/4 hex. hd. (2).....	77 to * - DE3
4	4319	BOLT, 3/8-24 x 1 hex. hd. (6).....	77 to * - DE3
5	6418B	WASHER, 3/8 x 1-1/8 x 11/64 (3).....	77 to * - DE3
6	7039	LOCKWASHER, 7/16 (3).....	77 to * - DE3
7	7607B	CASTLE NUT, 1/2-20 x 7/16 x 3/4 hex. (2).....	77 to * - DE3
8	7753	NUT, 5/16-24 x 1/4 x 1/2 hex. (2).....	77 to * - DE3
9	7800W	NUT, 3/8-24 x 5/16 x 9/16 hex. (3).....	77 to * - DE3
10	7845	LOCKNUT, 1/2-20 x 7/16 x 3/4 hex.....	77 to * - DE3
11	7995	NUT, 5/8-18 x 3/8 x 15/16 (2).....	77 to * - DE3
12	57063-67	TIE ROD, steering arm.....	77 to * - DE3
13	57064-69	STEERING GEAR ASSEMBLY.....	77 to * - DE3
14	57065-67	ARM, steering gear.....	77 to * - DE3
15	57066-68	LOCKNUT, steering gear end cap.....	77 to * - DE3
16	57067-68	BUSHING, steering shaft (Nylon).....	77 to * - DE3
17	57068-67	BOOT, steering column (rubber).....	77 to * - DE3
18	57070-68	SPACER, steering column dirt guard.....	77 to * - DE3
19	57071-68	ADJUSTING SCREW, steering gear worm.....	77 to * - DE3
20	57072-67	FRONT BRACKET, steering gear.....	77 to * - DE3
21	57073-67	REAR BRACKET, steering gear.....	77 to * - DE3
22	57074-68	SEAL, end cap.....	77 to * - DE3
23	57075-67A	STEERING WHEEL.....	77 to * - DE3
24	57076-68	END CAP.....	77 to * - DE3
25	57077-67	DIRT GUARD, steering gear.....	77 to * - DE3
26	57078-67	COVER, steering wheel hub.....	77 to * - DE3
27	57081-67	SEAL, steering shaft.....	77 to * - DE3
28	57082-67	SET OF BEARINGS AND CUPS, worm shaft.....	77 to * - DE3
29	57084-67	GASKET, side cover.....	77 to * - DE3
30	57088-67	SIDE COVER.....	77 to * - DE3
31	57090-67	FILLER PLUG.....	77 to * - DE3

NOTE: Asterisk (\*) indicates part is used for latest model year shown on cover.

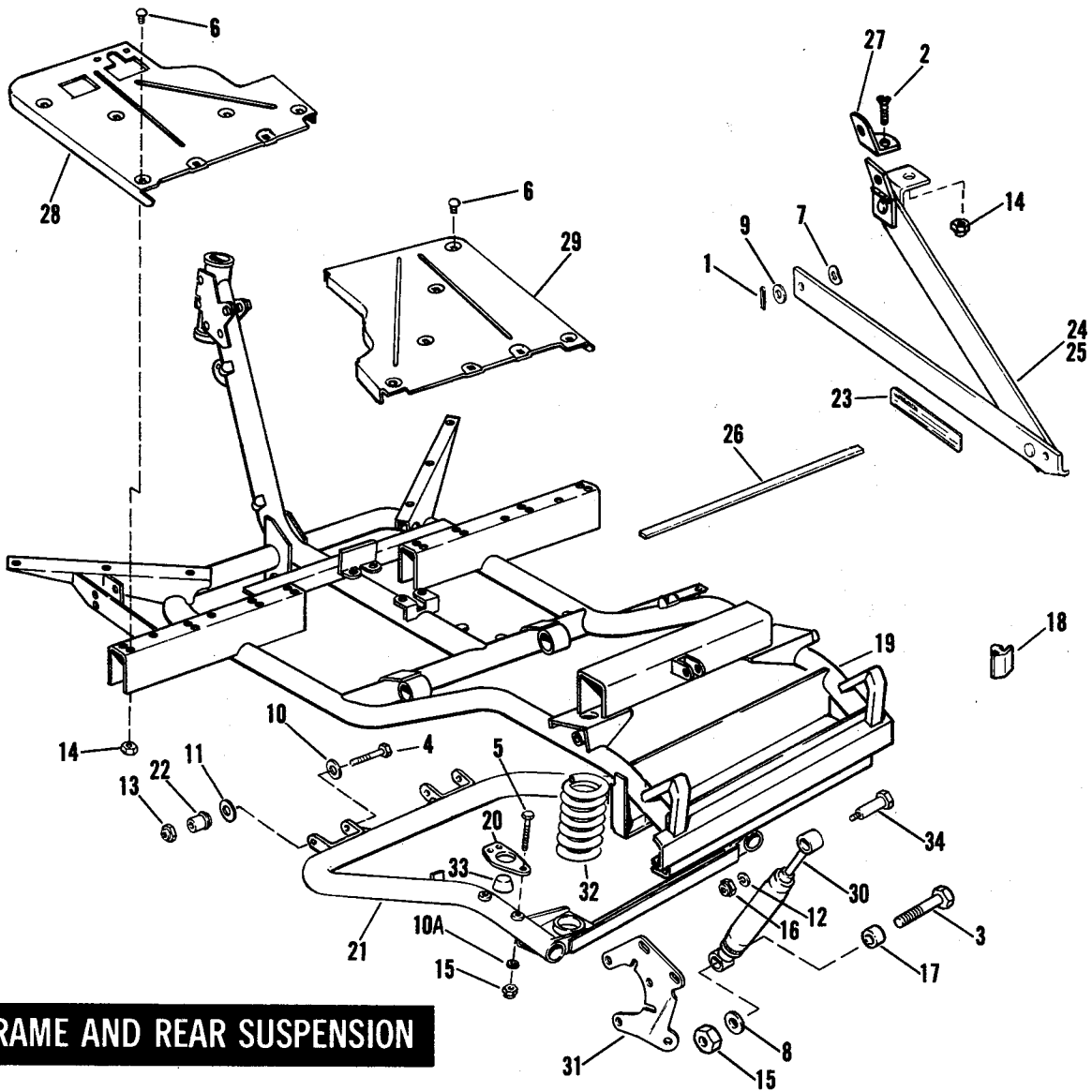
**FORK HOUSING SHIELDS, ACCESSORY  
PANEL AND CARRY-ALL**



# FORK HOUSING, SHIELDS, ACCESSORY PANEL AND CARRY-ALL

INDEX NO.	PART NO.	NAME	USED ON
1	2073W	SCREW, No. 4-24 x 1/4 self tapping pan hd. ....	77 to * - DE3
2	3491	BOLT, No. 8-32 x 5/8 hex. hd. (12) .....	77 to * - DE3
3	3794W	SCREW, 1/4-14 self tapping hex. hd. (tiller) (2) .....	77 to * - DE3
4	3960W	BOLT, 5/16-24 x 1 hex. hd. ....	77 to * - DE3
5	3987	BOLT, 5/16-18 x 3/4 hex. hd. (steering wheel).....	77 to * - DE3
6	5919	SPACER, accessory panel (steering wheel).....	77 to * - DE3
7	5927	WASHER, 11/32 x 1-1/2 x 3/32 (rubber) (3).....	77 to * - DE3
8	6150W	WASHER, 3/16 x 3/8 x 1/16 (24).....	77 to * - DE3
9	6192	WASHER, No. 8 x 7/16 x 3/64 (12).....	77 to * - DE3
10	6702	WASHER, 5/16 x 11/16 x 1/16 (2) (steering wheel).....	77 to * - DE3
11	6969	LOCKWASHER, No. 4.....	77 to * - DE3
12	7041	LOCKWASHER, 5/16 (2) (steering wheel) .....	77 to * - DE3
13	7124	LOCKWASHER, 1/4 internal tooth (2) (tiller) .....	77 to * - DE3
14	7609W	LOCKNUT, No. 8-32 x 3/16 x 3/8 hex. (12).....	77 to * - DE3
15	7748W	NUT, 5/16-18 x 1/4 x 1/2 hex. (steering wheel) .....	77 to * - DE3
16	8112B	PUSH NUT, carry-all (4).....	77 to * - DE3
17	8321	POP RIVET, nameplate (2).....	77 to * - DE3
18	8685	POP RIVET (24).....	77 to * - DE3
19	31400-67B	ACCESSORY PANEL (steering wheel) .....	77 to * - DE3
	31406-67	ACCESSORY PANEL (tiller).....	77 to * - DE3
20	31407-67	PENCIL AND SCORE CARD CLIP .....	77 to * - DE3
21	31415-67	MOUNTING PLATE (2) (tiller).....	77 to * - DE3
22	31418-67A	PLASTIC COVER.....	77 to * - DE3
23	31419-67	STUD, accessory panel (steering wheel) .....	77 to * - DE3
24	45581-67A	BRACKET, steering head (steering wheel) .....	77 to * - DE3
25	50253-66B	SHIELD, left.....	77 to * - DE3
26	50255-66B	SHIELD, right.....	77 to * - DE3
27	50260-66B	FORK HOUSING .....	77 to * - DE3
28	50303-66A	TRIM STRIP, front shield (2).....	77 to * - DE3
29	50304-66	REINFORCEMENT, shields (2).....	77 to * - DE3
30	50528-67	FLOOR MAT, right shield & floorboard .....	77 to * - DE3
30A	50529-67A	FLOOR MAT, left shield & floorboard .....	77 to * - DE3
31	61771-72	NAMEPLATE.....	77 to * - DE3
32	64001-72	CARRY-ALL (between seats).....	77 to * - DE3
33	64009-63	PAD, carry-all (2).....	77 to * - DE3

**NOTE:** Asterisk (\*) indicates part is used for latest model year shown on cover.

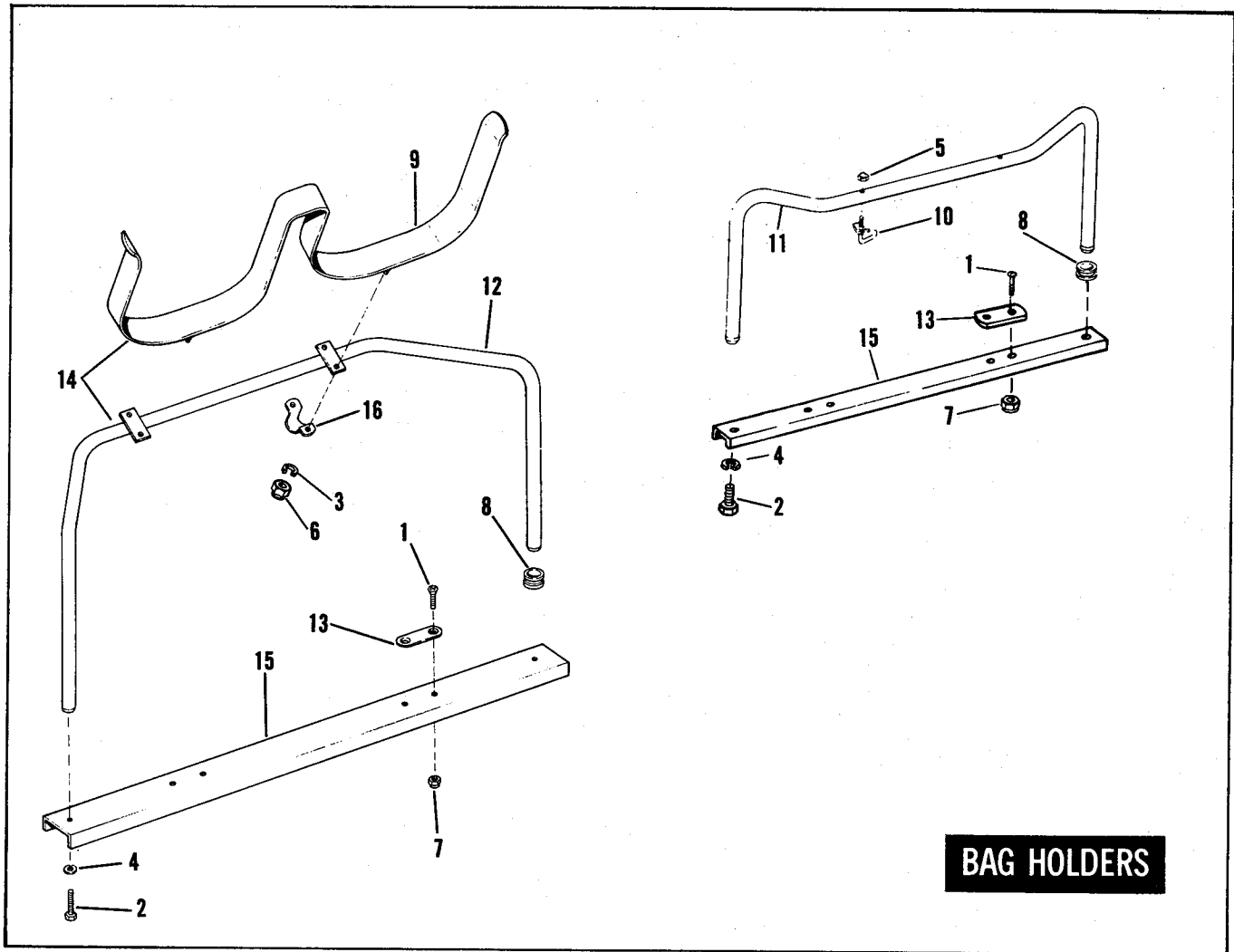


**FRAME AND REAR SUSPENSION**

# FRAME AND REAR SUSPENSION

INDEX NO.	PART NO.	N A M E	USED ON
1	515	COTTER PIN, 1/16 dia. x 1/2 .....	77 to * - DE3
2	1357W	SCREW, 1/4-20 x 7/8 ctsk. oval Pozidriv hd. (4) .....	77 to * - DE3
3	3945	BOLT, 3/8-24 x 2-1/4 hex. hd. ....	77 to * - DE3
4	3950	BOLT, 1/2-20 x 4-1/4 hex. hd. (2) .....	77 to * - DE3
5	4333	BOLT, 3/8-24 x 5 hex. hd. (4) .....	77 to * - DE3
6	5405B	CARRIAGE BOLT, 1/4-20 x 3/4 (14) .....	77 to * - DE3
7	6403B	SPRING WASHER, 3/8 x 5/8 x 1/32 (2) .....	77 to * - DE3
8	6416	WASHER, 3/8 x 1 x 5/64 .....	77 to * - DE3
9	6440B	WASHER, 13/32 x 5/8 x 1/32 (2) .....	77 to * - DE3
10	6568B	WASHER, 1/2 x 13/16 x 1/8 (2) .....	77 to * - DE3
10A	6607W	WASHER, 3/8 x 29/32 x 5/32 (4) .....	77 to * - DE3
11	6684	WASHER, 7/8 x 2-1/8 x 1/32 (nylon) (2) .....	77 to * - DE3
12	7068	LOCKWASHER, 1/2 (2) .....	77 to * - DE3
13	7741	LOCKNUT, 1/2-20 x 1/2 x 3/4 hex. (2) .....	77 to * - DE3
14	7742	LOCKNUT, 1/4-20 x 7/32 x 7/16 hex. (18) .....	77 to * - DE3
15	7775	LOCKNUT, 3/8-24 x 7/16 x 9/16 hex. (5) .....	77 to * - DE3
16	7845	NUT, 1/2-20 x 7/16 x 3/4 hex. (2) .....	77 to * - DE3
17	24794-67	SPACER, lower shock mount .....	77 to * - DE3
18	44908-74	CUSHION, frame to body - rear (2) .....	77 to * - DE3
19	47098-75	FRAME .....	77 to * - DE3
20	47300-66A	BUMPER PLATE (2) .....	77 to * - DE3
21	47457-77	REAR FORK, complete .....	77 to * - DE3
22	47524-66	BUSHING, rear fork (2) .....	77 to * - DE3
23	50225-73	WARNING LABEL (2) .....	77 to * - DE3
24	50243-67	BODY SUPPORT, left .....	77 to * - DE3
25	50244-67	BODY SUPPORT, right .....	77 to * - DE3
26	50275-66	BODY CUSHION (2) .....	77 to * - DE3
27	50277-67	REINFORCEMENT, body support (2) .....	77 to * - DE3
28	50514-70	FLOOR PANEL, left .....	77 to * - DE3
29	50523-72	FLOOR PANEL, right .....	77 to * - DE3
30	54514-73	SHOCK ABSORBER .....	77 to * - DE3
31	54524-77	LOWER BRACKET, shock absorber .....	77 to * - DE3
32	54564-73	REAR SPRING (2) .....	77 to * - DE3
33	83004-72	RUBBER BUMPER, front (2) .....	77 to * - DE3
34	85213-42A	SHOULDER BOLT, shock absorber (2) .....	77 to * - DE3

NOTE: Asterisk (\*) indicates part is used for latest model year shown on cover.



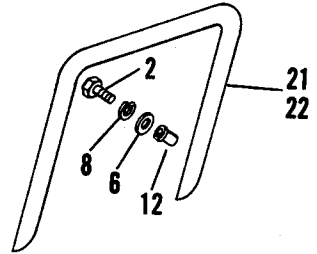
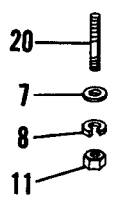
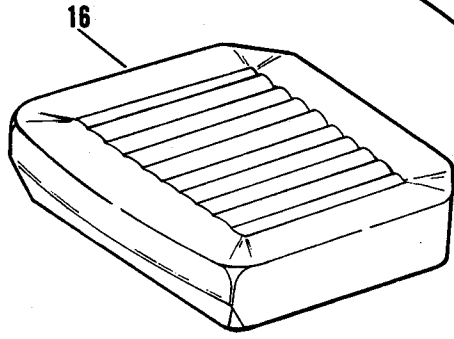
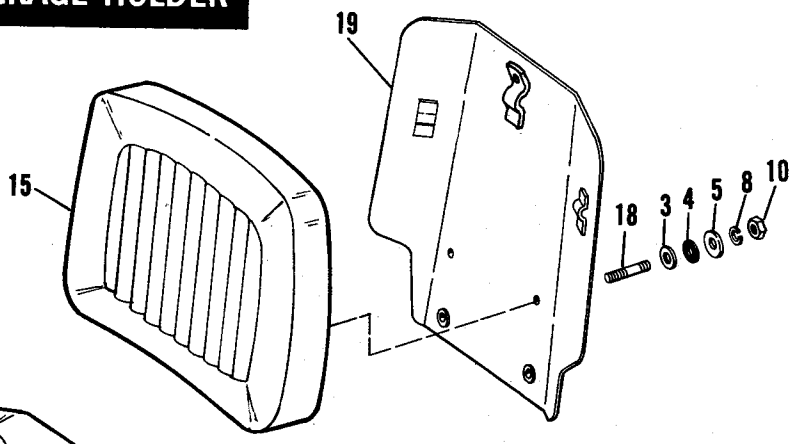
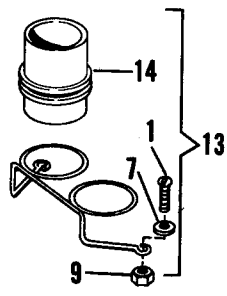
**BAG HOLDERS**

# BAG HOLDERS

INDEX NO.	PART NO.	N A M E	USED ON
1	1357W	SCREW, 1/4-20 x 7/8 ctsk. oval Pozidriv hd. (4)	77 to * - DE3
2	3974HW	BOLT, 5/16-24 x 3/4 hex. hd. (2)	77 to * - DE3
3	7036	LOCKWASHER, 1/4 (4)	77 to * - DE3
4	7041	LOCKWASHER, 5/16 (2)	77 to * - DE3
5	7736	ACORN NUT, 5/16-24 x 19/32 x 9/16 hex. (2)	77 to * - DE3
6	7737W	ACORN NUT, 1/4-20 x 15/32 x 7/16 hex. (4)	77 to * - DE3
7	7742	LOCKNUT, 1/4-20 x 7/32 x 7/16 hex. (4)	77 to * - DE3
8	11417	GROMMET, bag rack (2)	77 to * - DE3
9	53470-71	CARRIER, bag holder	77 to * - DE3
10	53487-65	HOOK, bag holder (2)	77 to * - DE3
11	53488-67	BAG HOLDER (less hooks)	77 to * - DE3
12	53488-71	BAG HOLDER ASSEMBLY (cradle type)	77 to * - DE3
13	53491-65	REINFORCEMENT (2)	77 to * - DE3
14	53493-71	BAG HOLDER, complete (cradle type)	77 to * - DE3
15	53496-67	BRACKET, bag holder	77 to * - DE3
16	53498-71	SUPPORT BRACKET, bag holder (2)	77 to * - DE3

**NOTE:** Asterisk (\*) indicates part is used for latest model year shown on cover.

# SEAT, HANDRAIL AND BEVERAGE HOLDER

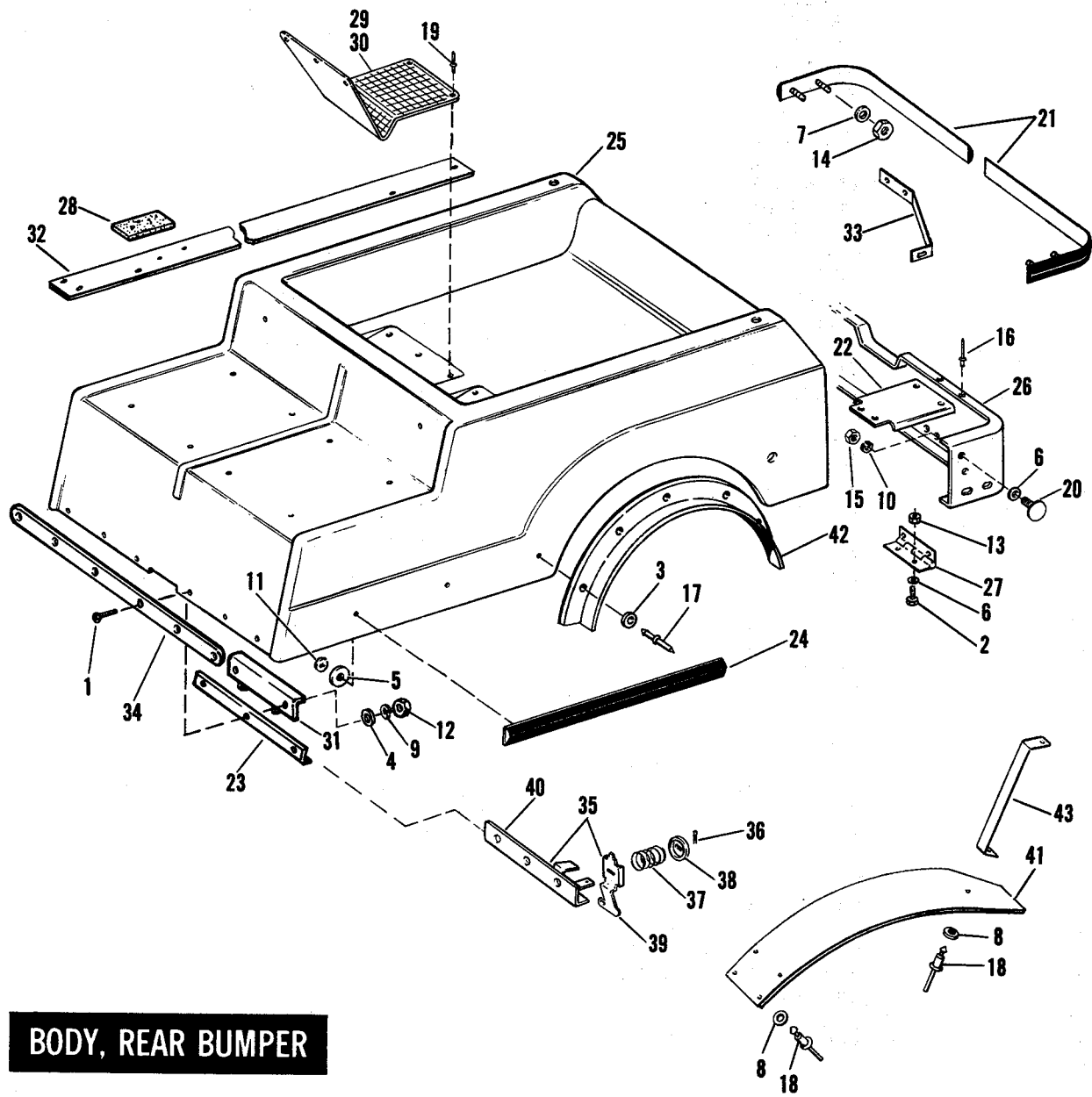




# SEAT, HANDRAIL AND BEVERAGE HOLDER

INDEX NO.	PART NO.	NAME	USED ON
1	2741	SCREW, 5/16-24 x 1-3/16 rd. hd. (2).....	77 to * - DE3
2	4017	BOLT, 5/16-18 x 1 hex. hd. (6).....	77 to * - DE3
3	6107B	WASHER, 5/16 x 11/16 x 1/8 (8).....	77 to * - DE3
4	6266	WASHER, 5/16 x 7/8 x 1/8 (rubber) (8).....	77 to * - DE3
5	6332B	WASHER, 5/16 x 15/16 x 1/16 (8).....	77 to * - DE3
6	6341B	WASHER, 15/16 x 1-1/8 x 1/16 (6).....	77 to * - DE3
7	6702	WASHER, 5/16 x 11/16 x 1/16 (6).....	77 to * - DE3
8	7041	LOCKWASHER, 5/16 (22).....	77 to * - DE3
9	7725	LOCKNUT, 5/16-24 x 11/32 x 1/2 hex. (2).....	77 to * - DE3
10	7748W	NUT, 5/16-18 x 1/4 x 1/2 hex. (8).....	77 to * - DE3
11	7753	NUT, 5/16-24 x 1/4 x 1/2 hex. (8).....	77 to * - DE3
12	8206W	RIVNUT, handrail (6).....	77 to * - DE3
13	31405-70	BEVERAGE HOLDER KIT.....	77 to * - DE3
14	31411-65	CUP, beverage holder (2).....	77 to * - DE3
15	52049-75	SEAT BACK PAD.....	77 to * - DE3
16	52051-75	SEAT CUSHION.....	77 to * - DE3
	52054-65A	CANVAS SEAT COVER (covers both seats).....	77 to * - DE3
	52058-75	SEAT CUSHION, seat brake.....	77 to * - DE3
18	52082-72	STUD, seat back pad, 5/16-18 x 5/16-24 x 1-5/16 (4).....	77 to * - DE3
19	52088-72	SEAT FRAME.....	77 to * - DE3
20	52107-72	STUD, seat bottom cushion, 5/16-18 x 5/16-24 x 2-3/8 (8) ..	77 to * - DE3
	52134-72A	COVER, seat bottom cushion.....	77 to * - DE3
	52135-72A	COVER, seat back pad.....	77 to * - DE3
21	52630-72	HANDRAIL, right.....	77 to * - DE3
22	52631-72	HANDRAIL, left.....	77 to * - DE3

**NOTE:** Asterisk (\*) indicates part is used for latest model year shown on cover.

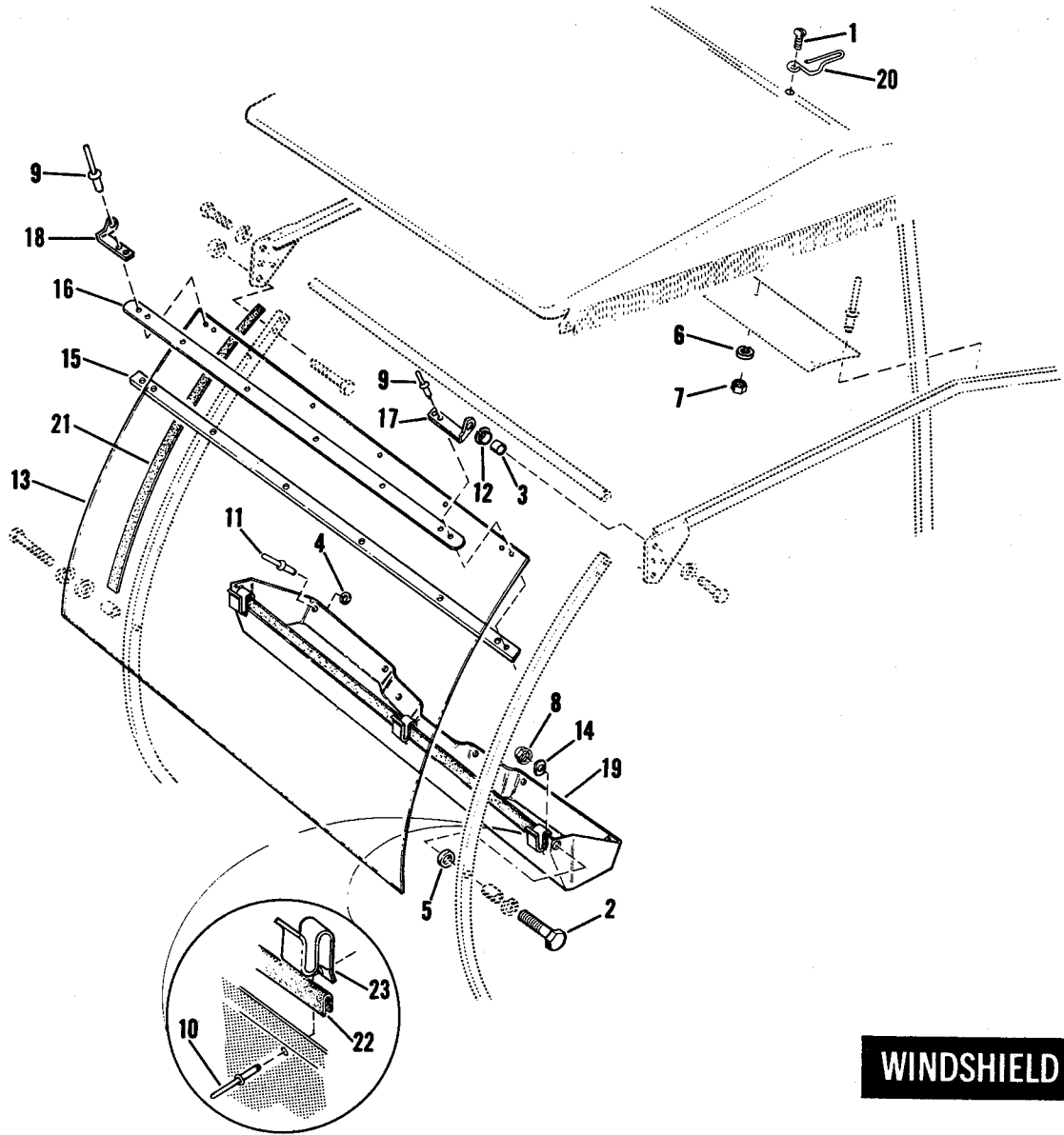


**BODY, REAR BUMPER**

# BODY AND REAR BUMPER

INDEX NO.	PART NO.	NAME	USED ON
1	2648	SCREW, 1/4-20 x 1 Pozidriv truss hd. (6)	77 to * - DE3
2	4391	BOLT, 5/16-24 x 5/8 hex. hd. (4)	77 to * - DE3
3	6182W	WASHER, 3/16 x 7/16 x 1/32 (12)	77 to * - DE3
4	6242W	WASHER, 1/4 x 9/16 x 1/32 (6)	77 to * - DE3
5	6257W	WASHER, 1/4 x 1-3/8 x 1/16 (8)	77 to * - DE3
6	6266	WASHER, 5/16 x 7/8 x 1/8 (rubber) (3)	77 to * - DE3
7	6702	WASHER, 5/16 x 11/16 x 1/16 (8)	77 to * - DE3
8	6716	WASHER, No. 10 x 1/2 x 3/64 (12)	77 to * - DE3
9	7036	LOCKWASHER, 1/4 (6)	77 to * - DE3
10	7041	LOCKWASHER, 5/16 (2)	77 to * - DE3
11	7686	LOCKNUT, 1/4-20 x 5/16 x 7/16 hex. (8)	77 to * - DE3
12	7688	NUT, 1/4-20 x 7/32 x 7/16 hex. (6)	77 to * - DE3
13	7727	LOCKNUT, 5/16-24 x 1/4 x 1/2 hex. (4)	77 to * - DE3
14	7740	LOCKNUT, 5/16-18 x 1/4 x 1/2 hex. (12)	77 to * - DE3
15	7748W	NUT, 5/16-18 x 1/4 x 1/2 hex. (2)	77 to * - DE3
16	8528W	POP RIVET, 3/16 x 3/8 x 3/8 dia. hd. (4)	77 to * - DE3
17	8641B	POP RIVET, 3/16 x 5/8 x 3/8 dia. hd. (black aluminum) (12)	77 to * - DE3
18	8689	POP RIVET, 3/16 x 3/8 x 3/8 dia. hd. (12)	77 to * - DE3
19	8692	POP RIVET, 5/32 x 3/8 x 5/16 dia. hd. (black aluminum) (10)	77 to * - DE3
20	44912-63A	CARRIAGE BOLT, 5/16-18 x 1-1/8 (2)	77 to * - DE3
21	44913-74	BUMPER (2)	77 to * - DE3
22	44918-74	BRACKET, rear bumper (2)	77 to * - DE3
23	50241-67	BODY SUPPORT, front	77 to * - DE3
24	50252-74	BODY TRIM (2)	77 to * - DE3
25	50263-74	BODY ASSEMBLY	77 to * - DE3
26	50270-74	BODY REINFORCEMENT, rear	77 to * - DE3
27	50271-65	BODY HINGE (2)	77 to * - DE3
28	50275-67	PAD, reinforcement strap (2)	77 to * - DE3
29	50278-67A	MAT, bag well - right	77 to * - DE3
30	50279-67A	MAT, bag well - left	77 to * - DE3
	50280-63A	GOLF CAR CANVAS COVER (for cars with tiller)	77 to * - DE3
	50281-67	GOLF CAR CANVAS COVER (for cars with steering wheel)	77 to * - DE3
31	50340-67	REINFORCEMENT BRACKET	77 to * - DE3
32	50346-67A	REINFORCEMENT STRAP, body (2)	77 to * - DE3
33	50347-69	BRACKET, body reinforcement (2)	77 to * - DE3
34	50349-71	REINFORCEMENT STRIP, body front	77 to * - DE3
35	52057-72	BODY LATCH ASSEMBLY	77 to * - DE3
		Consists of:	
36	559	COTTER PIN, body latch spring collar, 1/8 x 1-1/4	
37	41049-70	SPRING, body latch	
38	52042-72	LEVER, body latch	
39	52052-72	COLLAR, body latch spring	
40	52059-72	SUPPORT, body latch	
41	59598-69	SPLASH GUARD (2)	77 to * - DE3
42	59607-64A	REAR SPLASH GUARD KIT	77 to * - DE3
43	59794-69	BRACKET, splash guard (2)	77 to * - DE3

**NOTE:** Asterisk (\*) indicates part is used for latest model year shown on cover.

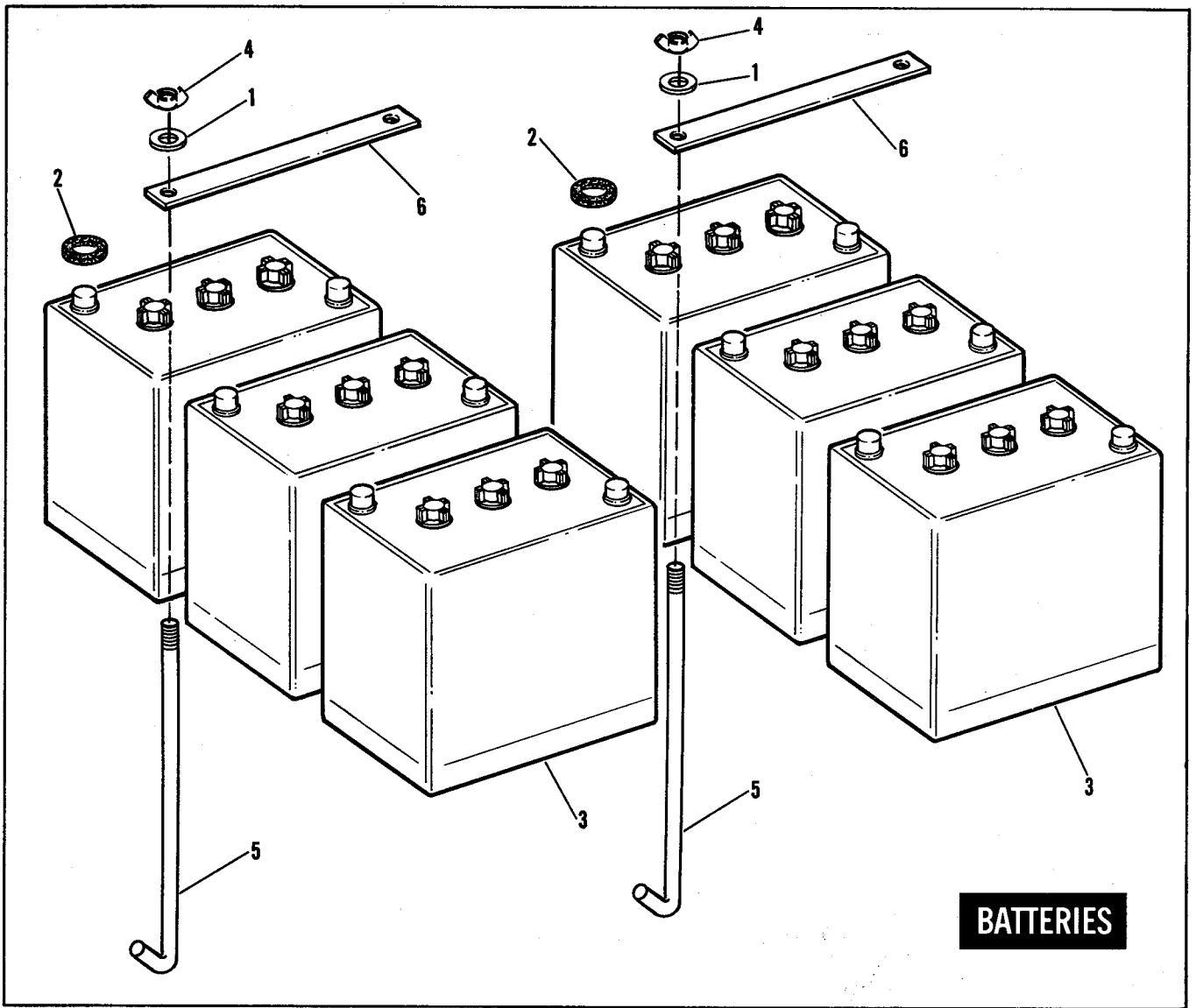


**WINDSHIELD**

# WINDSHIELD

INDEX NO.	PART NO.	N A M E	USED ON
1	2612	SCREW, No. 8-32 x 1/2 Pozidriv pan hd. (2)	77 to * - DE3
2	4036	BOLT, 5/16-24 x 1-1/2 hex. hd. (2)	77 to * - DE3
3	5965B	SPACER, pivot bushing (2)	77 to * - DE3
4	6150W	WASHER, 3/16 x 3/8 x 1/16 (6)	77 to * - DE3
5	6266	WASHER, 5/16 x 7/8 x 1/8 (rubber) (2)	77 to * - DE3
6	7015	LOCKWASHER, No. 8 (2)	77 to * - DE3
7	7608	NUT, No. 8-32 x 1/8 x 11/32 hex. (2)	77 to * - DE3
8	7725	LOCKNUT, 5/16-24 x 11/32 x 1/2 hex. (2)	77 to * - DE3
9	8212	POP RIVET (8)	77 to * - DE3
10	8528W	POP RIVET, 3/16 x 3/8 x 3/8 dia. hd. (3)	77 to * - DE3
11	8685	POP RIVET, 3/16 x 1/2 x 3/8 dia. hd. (aluminum) (6)	77 to * - DE3
12	40522-63	PIVOT BUSHING, windshield (2)	77 to * - DE3
	58011-74	WINDSHIELD ASSEMBLY	77 to * - DE3
13	58012-74	WINDSHIELD, only	77 to * - DE3
14	58032-74	REINFORCEMENT, garment box - front (2)	77 to * - DE3
15	58034-74	REINFORCEMENT	77 to * - DE3
16	58054-74	STRIP, front	77 to * - DE3
17	58059-74	BRACKET, upper left	77 to * - DE3
18	58060-74	BRACKET, upper right	77 to * - DE3
19	58103-74	GARMENT BOX ASSEMBLY	77 to * - DE3
20	58105-74	CLIP, windshield storage (2)	77 to * - DE3
21	58108-74	TAPE, windshield (2)	77 to * - DE3
22	58174-74	TRIM STRIP, garment box	77 to * - DE3
23	58175-74	CLIP, garment box (3)	77 to * - DE3

**NOTE:** Asterisk (\*) indicates part is used for latest model year shown on cover.

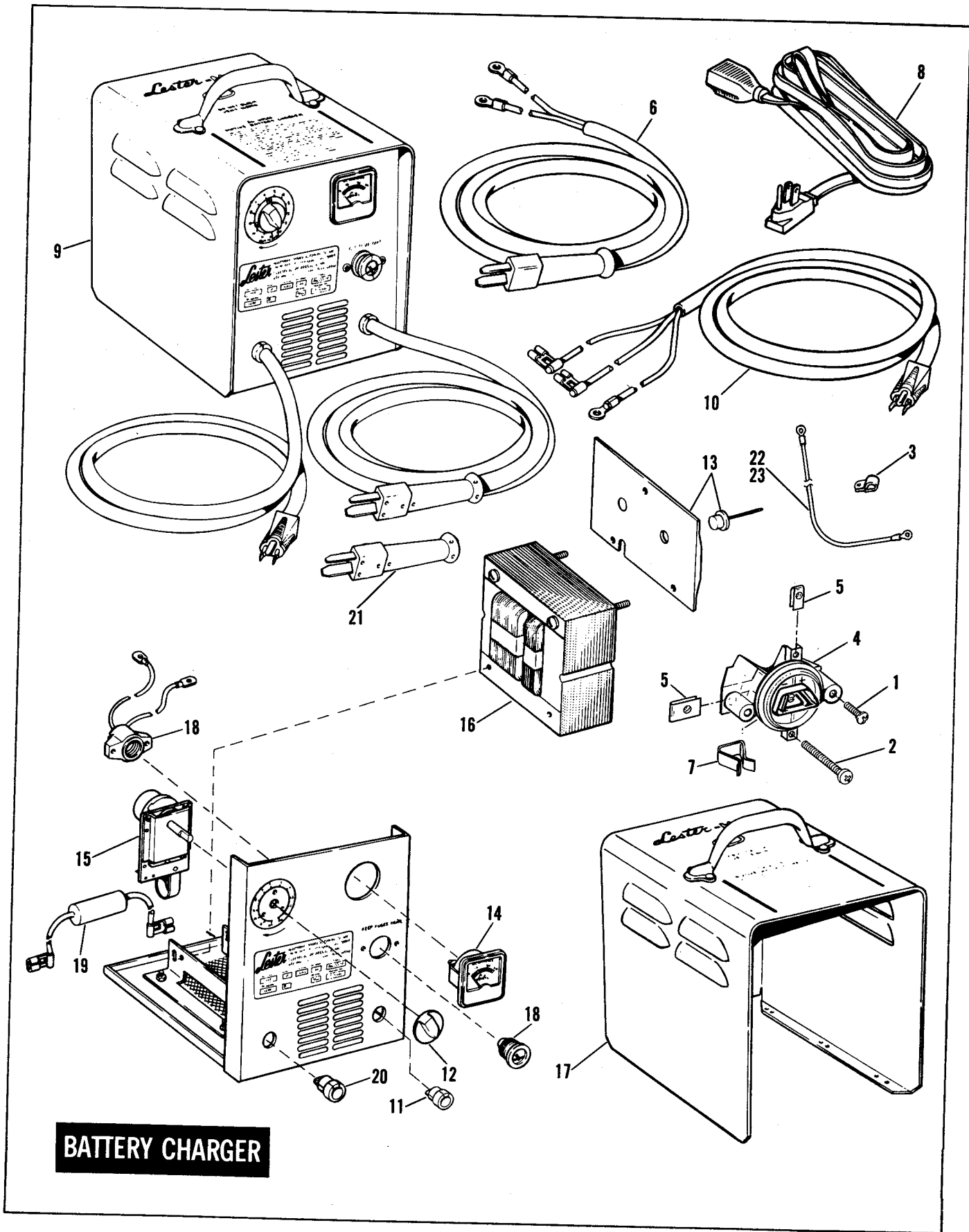


**BATTERIES**

# BATTERIES

INDEX NO.	PART NO.	N A M E	U S E D O N
1	6703	WASHER, 1/4 x 5/8 x 1/16 (8).....	77 to * - DE3
2	43733-47	FELT WASHER (12).....	77 to * - DE3
3	66007-63	BATTERY, dry (6).....	77 to * - DE3
4	66387-64	WING NUT, hold-down rods (8).....	77 to * - DE3
5	66453-66	HOLD-DOWN ROD (8).....	77 to * - DE3
6	66462-66A	HOLD-DOWN BAR (4).....	77 to * - DE3

**NOTE:** Asterisk (\*) indicates part is used for latest model year shown on cover.



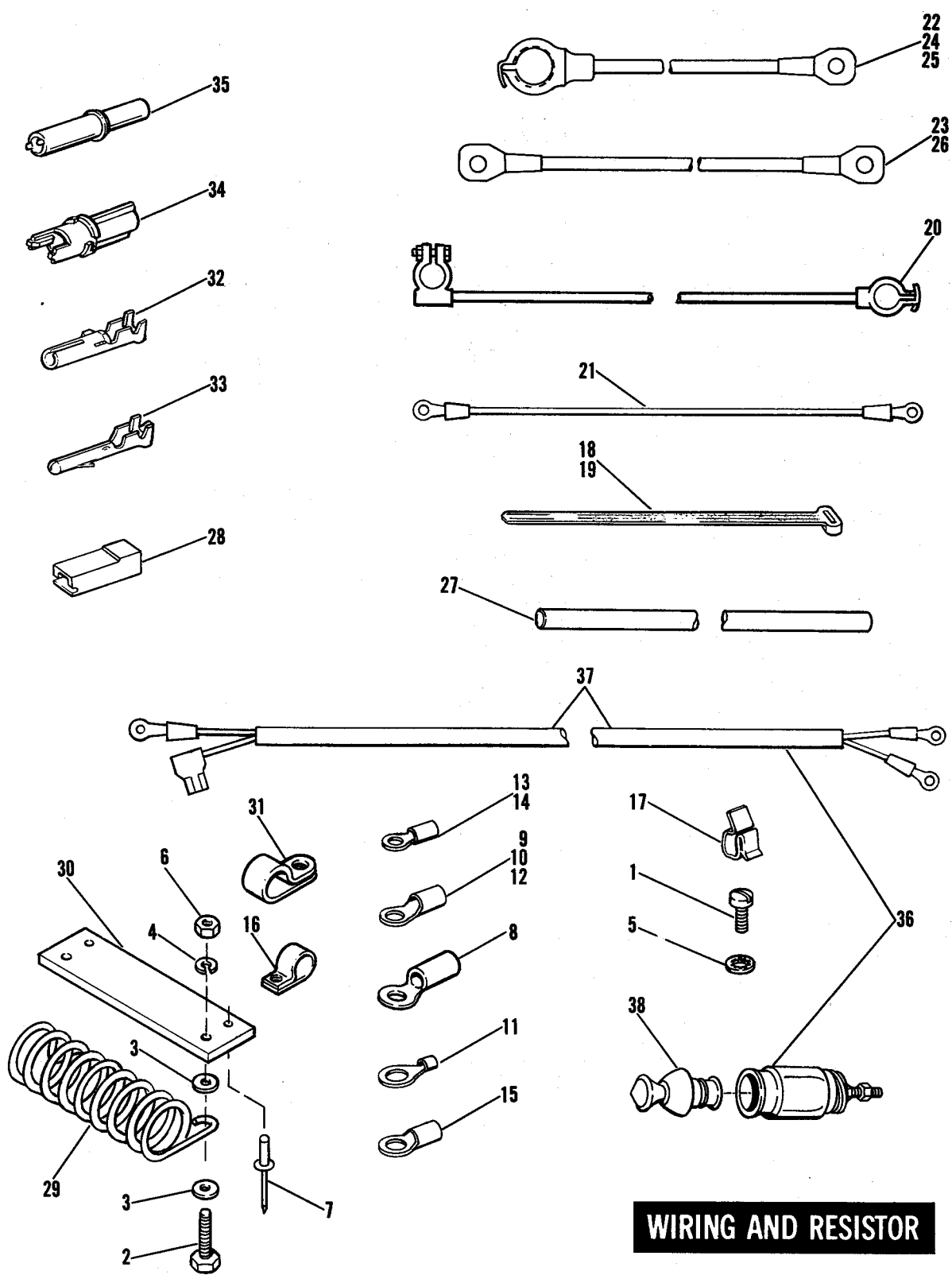
**BATTERY CHARGER**



# BATTERY CHARGER

INDEX NO.	PART NO.	N A M E	USED ON
1	2811	SCREW, No. 8-32 x 3/8 Pozidriv truss hd. (2).....	77 to * - DE3
2	2813	SCREW, No. 8-32 x 1-1/2 Pozidriv truss hd. (2).....	77 to * - DE3
3	38712-68	CLAMP, diode to receptacle cable.....	77 to * - DE3
4	66036-72	CHARGER PLUG RECEPTACLE (for D. C. cable).....	77 to * - DE3
5	66043-72	SPEED NUT, charger plug receptacle (4).....	77 to * - DE3
6	66063-69B	D. C. CABLE AND PLUG (two prong).....	77 to * - DE3
7	66070-72	SPRING CLIP, charger plug receptacle.....	77 to * - DE3
8	66493-67	A. C. EXTENSION CORD (three prong).....	77 to * - DE3
9	66500-69A	BATTERY CHARGER, portable 36 V. (Lester-matic).....	77 to * - DE3
10	66501-76	A. C. CABLE AND PLUG (three prong).....	77 to * - DE3
11	66502-69	BUSHING, D. C. cable.....	77 to * - DE3
12	66504-69	TIMER KNOB.....	77 to * - DE3
13	66505-76	HEAT SINK WITH DIODE.....	77 to * - DE3
14	66506-69	AMMETER.....	77 to * - DE3
15	66507-69	TIMER.....	77 to * - DE3
16	66512-76	TRANSFORMER.....	77 to * - DE3
17	66513-76	CASE, battery charger.....	77 to * - DE3
18	66515-76	FUSE ASSEMBLY.....	77 to * - DE3
19	66516-76	CAPACITOR, 6 mfd.....	77 to * - DE3
20	66517-76	BUSHING, A. C. cable.....	77 to * - DE3
21	66518-76	PLUG, D. C. cable (replacement).....	77 to * - DE3
22	70406-72	WIRE, right solenoid (B) to charger plug (red).....	77 to * - DE3
23	70407-72	WIRE, left diode to charger plug (black).....	77 to * - DE3

NOTE: Asterisk (\*) indicates part is used for latest model year shown on cover.



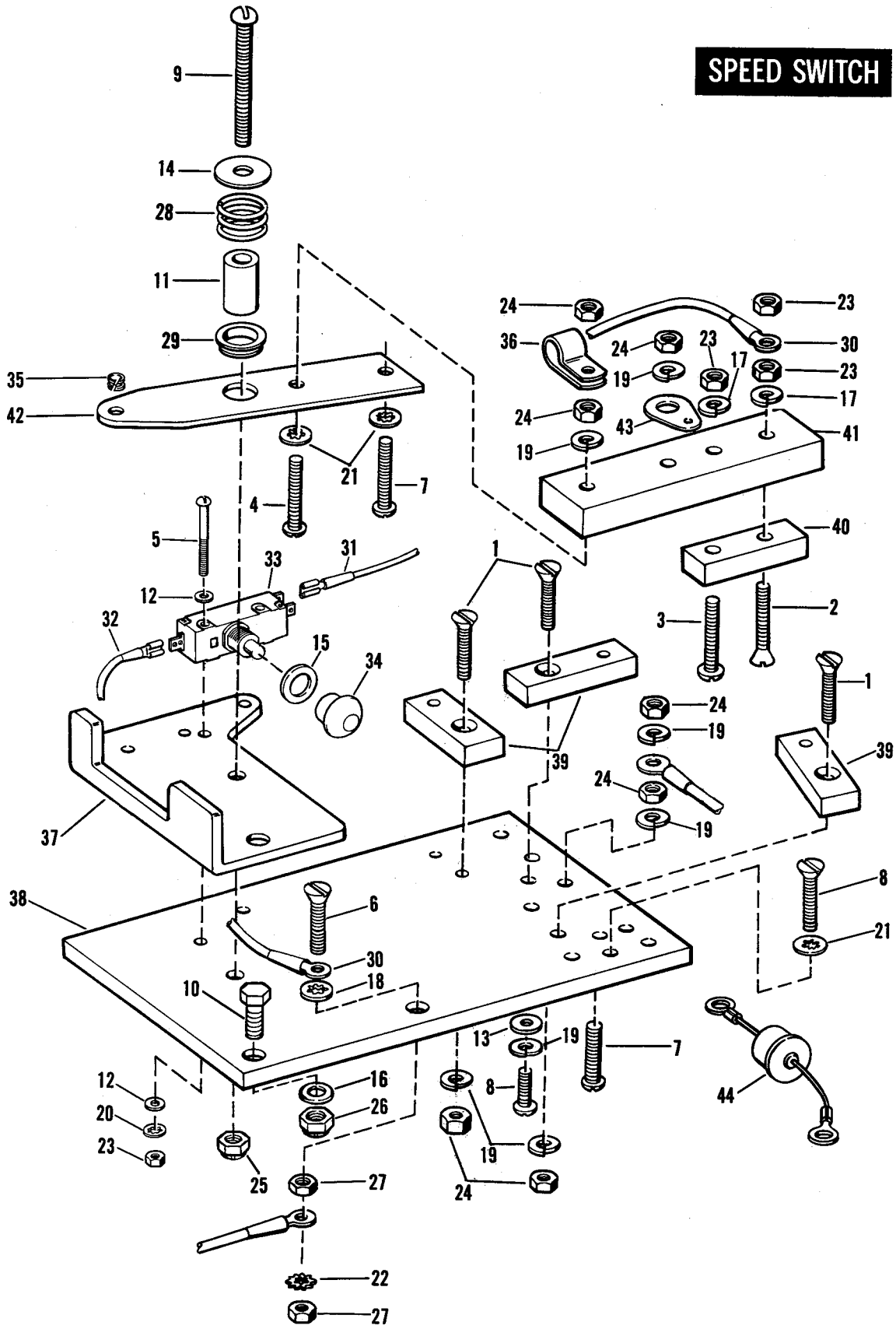
**WIRING AND RESISTOR**

# WIRING AND RESISTOR

INDEX NO.	PART NO.	NAME	USED ON
1	1183	SCREW, No. 10-32 x 5/16 fil. hd. ....	77 to * - DE3
2	2871W	BOLT, 5/16-18 x 1-1/4 hex. hd. (2).....	77 to * - DE3
3	6702	WASHER, 5/16 x 11/16 x 1/16 (4).....	77 to * - DE3
4	7041	LOCKWASHER, 5/16 (4).....	77 to * - DE3
5	7118	LOCKWASHER, No. 10 internal tooth.....	77 to * - DE3
6	7748W	NUT, 5/16-18 x 1/4 x 1/2 hex. (4).....	77 to * - DE3
7	8480	POP RIVET, resistor mounting (2).....	77 to * - DE3
8	9857	WIRE TERMINAL, ring type - No. 10 dia. hole - #16-22 wire	77 to * - DE3
9	9862	WIRE TERMINAL, ring type - No. 10 dia. hole - #14-16 wire	77 to * - DE3
10	9863	WIRE TERMINAL, ring type - 1/4 dia. hole - #14-16 wire..	77 to * - DE3
11	9866	WIRE TERMINAL, ring type - No. 10 dia. hole - #10-12 wire	77 to * - DE3
12	9868	WIRE TERMINAL, ring type - 5/16 dia. hole - #10-12 wire.	77 to * - DE3
13	9902	WIRE TERMINAL, ring type - 3/16 dia. hole - #14-16 wire.	77 to * - DE3
14	9911	WIRE TERMINAL, ring type - 3/16 dia. hole - #8 wire ....	77 to * - DE3
15	9923	WIRE TERMINAL, ring type - 5/16 dia. hole - #8 wire ....	77 to * - DE3
16	9963	CLAMP.....	77 to * - DE3
17	9981	CLIP.....	77 to * - DE3
18	10006	CABLE STRAP, resistor cables (black).....	77 to * - DE3
19	10007	CABLE STRAP (white).....	77 to * - DE3
20	70199-63B	CONNECTOR CABLE, battery (4).....	77 to * - DE3
21	70451-72	WIRE, solenoid "A" to speed switch #1 terminal.....	77 to * - DE3
22	70457-72	CABLE, rear battery positive to right diode.....	77 to * - DE3
23	70458-72	WIRE, solenoid "A" to speed switch #5 terminal.....	77 to * - DE3
24	70464-67A	CABLE, solenoid "C" to front battery negative.....	77 to * - DE3
25	70464-72	CABLE, battery negative to left diode.....	77 to * - DE3
26	70465-67	WIRE, solenoid to motor terminals A1, A2, S1, S2 (4); solenoid to resistor (2).....	77 to * - DE3
	70490-77	MAIN WIRING HARNESS.....	77 to * - DE3
27	70551-69	CONDUIT, 1/8 I. D. x 10 ft. lg. black vinyl (hi-temp.).....	77 to * - DE3
	70552-69	CONDUIT, 3/8 I. D. x 10 ft. lg. black vinyl.....	77 to * - DE3
	70553-69	CONDUIT, 7/16 I. D. x 10 ft. lg. black vinyl.....	77 to * - DE3
	70554-69	CONDUIT, 1/4 I. D. x 10 ft. lg. black vinyl.....	77 to * - DE3
	70555-69	CONDUIT, 1/4 I. D. x 10 ft. lg. black vinyl (hi-temp.).....	77 to * - DE3
	70556-71	CONDUIT, 5/16 I. D. x 10 ft. lg. black vinyl.....	77 to * - DE3
	70558-71	CONDUIT, 1/2 I. D. x 10 ft. lg. black vinyl.....	77 to * - DE3
	70559-71	CONDUIT, 1/8 I. D. x 10 ft. lg. black vinyl.....	77 to * - DE3
28	70589-69	INSULATOR, female spade terminal.....	77 to * - DE3
29	70596-72	RESISTOR.....	77 to * - DE3
30	70597-72	INSULATOR, resistor mounting.....	77 to * - DE3
31	71795-63A	CLAMP, battery cable.....	77 to * - DE3
32	72038-71	SOCKET TERMINAL, wire end.....	77 to * - DE3
33	72039-71	PIN TERMINAL, wire end.....	77 to * - DE3
34	72043-71	CONNECTOR, single pin.....	77 to * - DE3
35	72044-71	CONNECTOR, single socket.....	77 to * - DE3
36	91810-63A	CIGARETTE LIGHTER KIT.....	77 to * - DE3
37	91813-63	WIRING HARNESS, cigarette lighter.....	77 to * - DE3
38	91818-68	CIGARETTE LIGHTER, ELEMENT & KNOB, only.....	77 to * - DE3

NOTE: Asterisk (\*) indicates part is used for latest model year shown on cover.

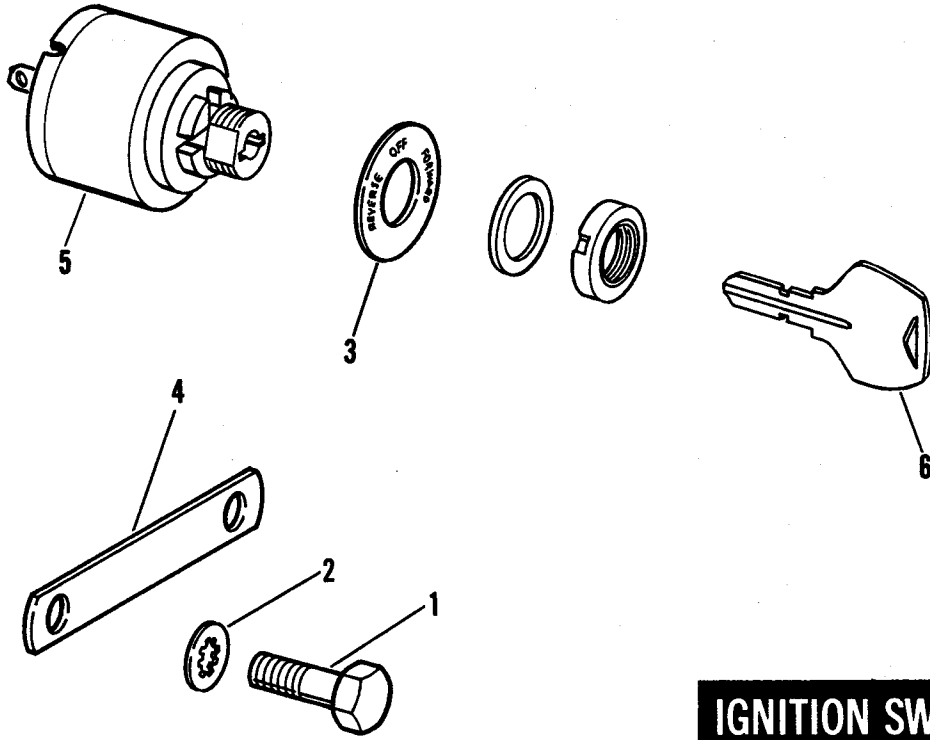
# SPEED SWITCH



# SPEED SWITCH

INDEX NO.	PART NO.	N A M E	USED ON
1	1784	SCREW, No. 10-24 x 3/4 Pozidriv flat ctsk. hd. (4).....	77 to * - DE3
2	1785	SCREW, No. 6-32 x 1 Pozidriv flat ctsk. hd. ....	77 to * - DE3
3	2556	SCREW, No. 6-32 x 1 Pozidriv pan hd. ....	77 to * - DE3
4	2595	SCREW, No. 10-24 x 1 Pozidriv pan hd. ....	77 to * - DE3
5	2601	SCREW, No. 6-32 x 1-1/4 Pozidriv pan hd. (2).....	77 to * - DE3
6	2602	SCREW, 1/4-20 x 1-1/4 Pozidriv pan hd. ....	77 to * - DE3
7	2659	SCREW, No. 10-24 x 7/8 Pozidriv pan hd. (3).....	77 to * - DE3
8	2668	SCREW, No. 10-24 x 9/16 Pozidriv pan hd. (4).....	77 to * - DE3
9	2794	SCREW, 1/4-28 x 1-3/4 Pozidriv pan hd. ....	77 to * - DE3
10	3825	BOLT, 1/4-28 x 1 hex. hd. ....	77 to * - DE3
11	5966W	SPACER, speed control lever. ....	77 to * - DE3
12	6075W	WASHER, 9/64 x 5/16 x 1/32 (4). ....	77 to * - DE3
13	6165W	WASHER, 3/16 x 3/8 x 1/16. ....	77 to * - DE3
14	6253W	WASHER, 1/4 x 3/4 x 1/16. ....	77 to * - DE3
15	6375B	WASHER, 3/8 x 9/16 x 1/32 (3). ....	77 to * - DE3
16	6703	WASHER, 1/4 x 5/8 x 1/16. ....	77 to * - DE3
17	7010	LOCKWASHER, No. 6 (2). ....	77 to * - DE3
18	7036	LOCKWASHER, 1/4. ....	77 to * - DE3
19	7069	LOCKWASHER, No. 10 (12). ....	77 to * - DE3
20	7115	LOCKWASHER, No. 8 internal tooth (2). ....	77 to * - DE3
21	7118	LOCKWASHER, No. 10 internal tooth (3). ....	77 to * - DE3
22	7124	LOCKWASHER, 1/4 internal tooth. ....	77 to * - DE3
23	7590	NUT, No. 6-32 x 1/8 x 5/16 hex. (6). ....	77 to * - DE3
24	7620W	NUT, No. 10-24 x 1/8 x 3/8 hex. (8). ....	77 to * - DE3
25	7676	NUT, 1/4-28 x 7/32 x 7/16 hex. ....	77 to * - DE3
26	7683	LOCKNUT, 1/4-28 x 5/16 x 7/16 hex. ....	77 to * - DE3
27	7688	NUT, 1/4-20 x 1/4 x 1/2 hex. (2). ....	77 to * - DE3
28	17485-71	SPRING, speed switch. ....	77 to * - DE3
29	40522-63	BUSHING, lever pivot. ....	77 to * - DE3
30	70045-63	WIRE, contact arm to solenoid terminal (2).....	77 to * - DE3
31	70432-72	WIRE, micro switch to diode. ....	77 to * - DE3
32	70472-67A	WIRE, micro switch to contact block. ....	77 to * - DE3
33	71506-67	MICRO SWITCH. ....	77 to * - DE3
34	71514-68A	RUBBER COVER, micro switch plunger. ....	77 to * - DE3
35	71793-71	BEARING, speed control lever. ....	77 to * - DE3
36	71795-63A	CLAMP, switch arm wire. ....	77 to * - DE3
37	71820-63A	LEVER SUPPORT PLATE. ....	77 to * - DE3
38	71822-67A	BASE PLATE, speed switch. ....	77 to * - DE3
39	71850-63	CONTACT BLOCK (4). ....	77 to * - DE3
40	71851-63	SWITCH ARM CONTACT BLOCK. ....	77 to * - DE3
41	71852-63	SWITCH LEVER BLOCK. ....	77 to * - DE3
42	71853-63A	SPEED CONTROL LEVER, with bearings. ....	77 to * - DE3
43	72030-47	CLIP, switch lever block. ....	77 to * - DE3
44	74885-67	DIODE (2). ....	77 to * - DE3

**NOTE:** Asterisk (\*) indicates part is used for latest model year shown on cover.



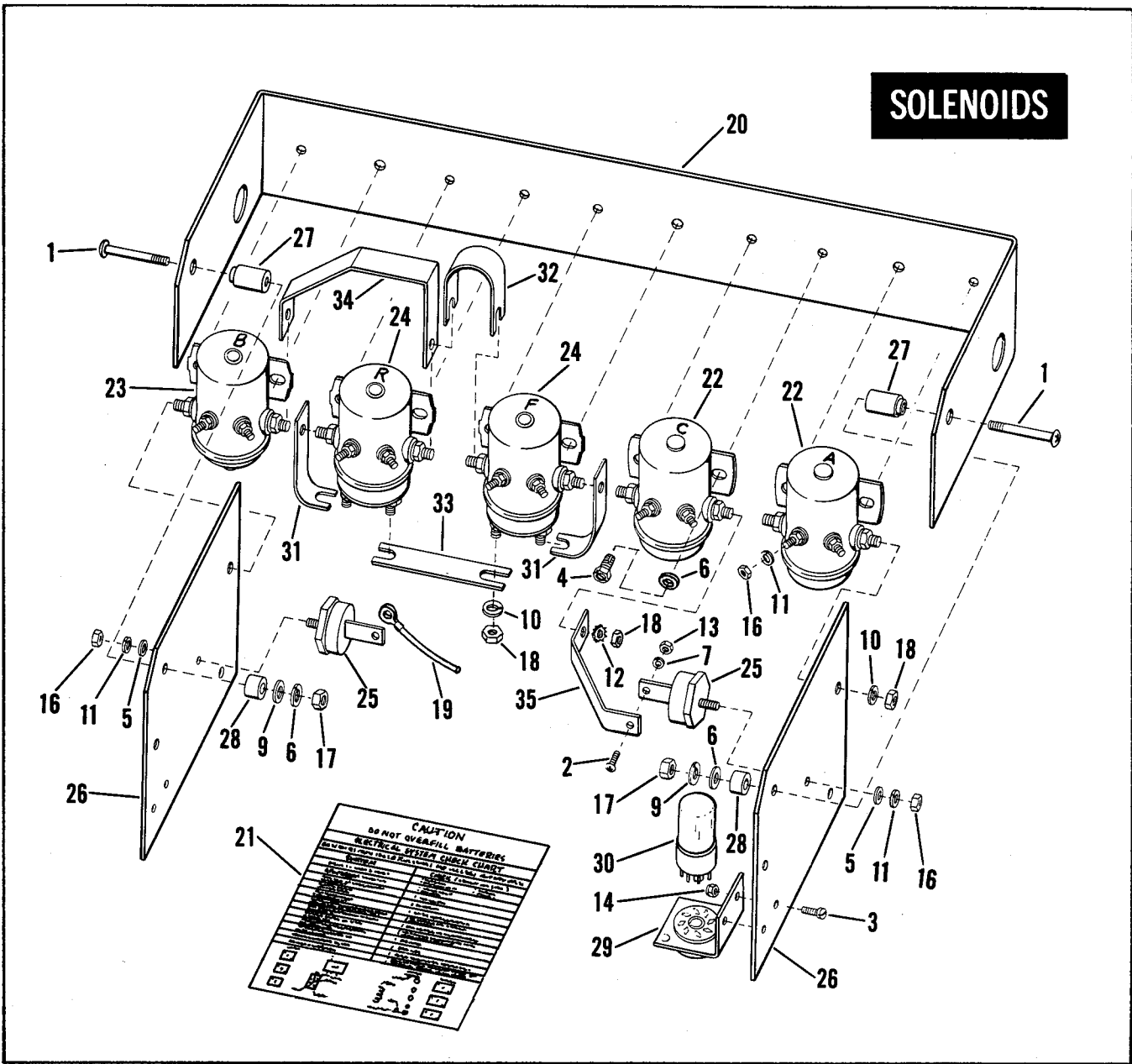
**IGNITION SWITCH**

# IGNITION SWITCH

INDEX NO.	PART NO.	N A M E	USED ON
1	4319	BOLT, 3/8-24 x 1 hex. hd. ....	77 to * - DE3
2	7130W	LOCKWASHER, 3/8 internal tooth.....	77 to * - DE3
3	71023-65	PLATE, key switch.....	77 to * - DE3
4	71491-66A	GROUND STRAP, key switch.....	77 to * - DE3
5	71762-75	IGNITION SWITCH .....	77 to * - DE3
6	71765-75	KEY, ignition switch.....	77 to * - DE3

**NOTE:** Asterisk (\*) indicates part is used for latest model year shown on cover.

# SOLENOIDS

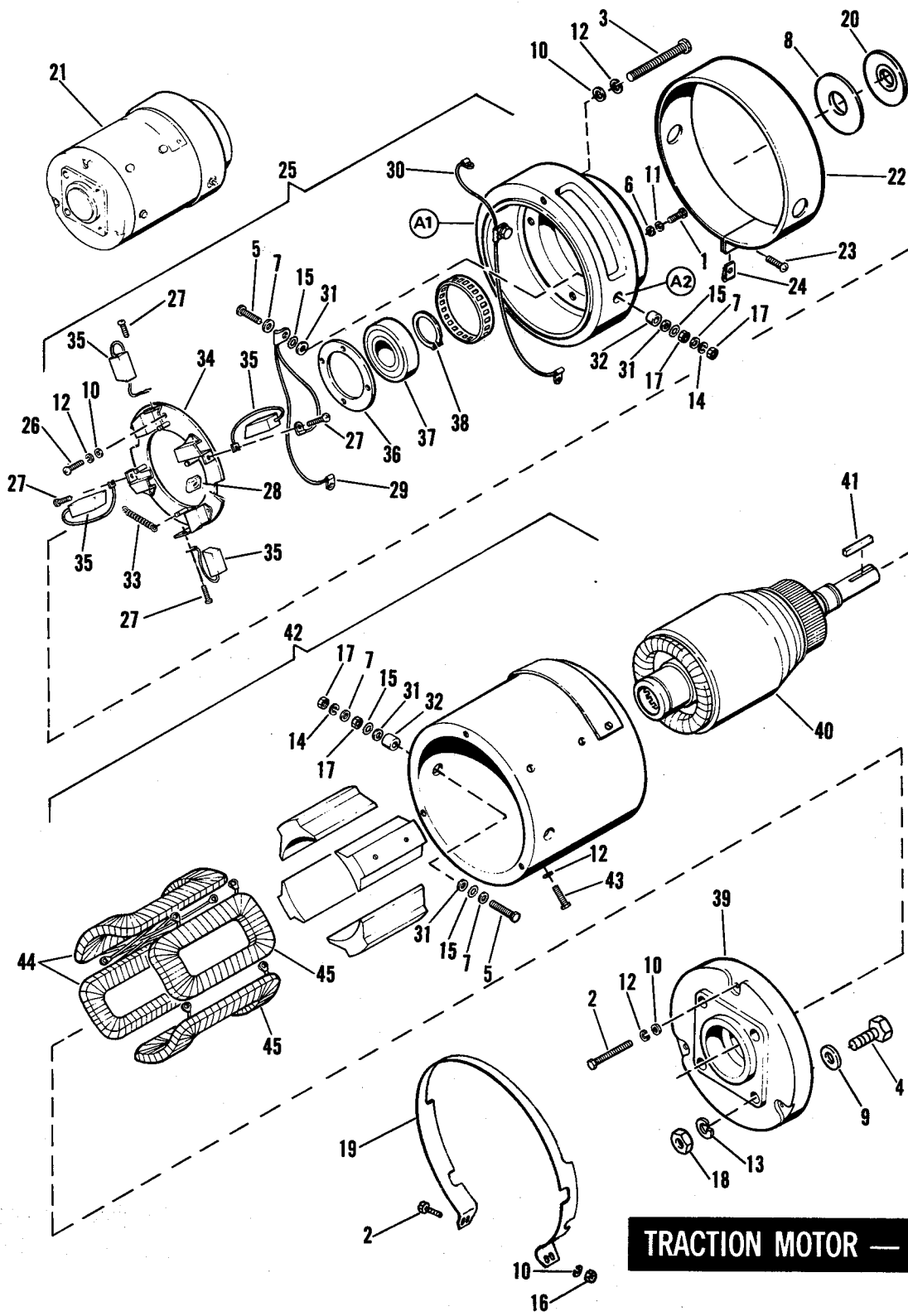




# SOLENOIDS

INDEX NO.	PART NO.	N A M E	USED ON
1	2599	SCREW, 1/4-20 x 1-3/4 Pozidriv pan hd. (2).....	77 to * - DE3
2	2625	SCREW, No. 8-32 x 5/8 Pozidriv pan hd. (2).....	77 to * - DE3
3	2808	SCREW, No. 8-32 x 3/8 Pozidriv pan hd. ....	77 to * - DE3
4	3204W	SCREW, 1/4-20 x 5/8 self tapping hex. slot hd. w/external tooth lockwasher (10).....	77 to * - DE3
5	6182W	WASHER, 3/16 x 7/16 x 1/32 (2).....	77 to * - DE3
6	6703	WASHER, 1/4 x 5/8 x 1/16 (9).....	77 to * - DE3
7	7015	LOCKWASHER, No. 8 (2).....	77 to * - DE3
9	7036	LOCKWASHER, 1/4 (2).....	77 to * - DE3
10	7041	LOCKWASHER, 5/16 (14).....	77 to * - DE3
11	7069	LOCKWASHER, No. 10 (12).....	77 to * - DE3
12	7127	LOCKWASHER, 5/16 internal tooth. ....	77 to * - DE3
13	7608	NUT, No. 8-32 x 1/8 x 11/32 hex. (2).....	77 to * - DE3
14	7609W	LOCKNUT, No. 8-32 x 3/16 x 3/8 hex. (2).....	77 to * - DE3
16	7638	NUT, No. 10-32 x 1/8 x 3/8 hex. (22).....	77 to * - DE3
17	7688	NUT, 1/4-20 x 7/32 x 7/16 hex. (2).....	77 to * - DE3
18	7753	NUT, 5/16-24 x 1/4 x 1/2 hex. (28).....	77 to * - DE3
19	70433-72	WIRE, right diode to left solenoid.....	77 to * - DE3
20	71021-72	PLATE, solenoid mounting.....	77 to * - DE3
21	71030-74	TRANSFER (check chart).....	77 to * - DE3
22	71470-63D	SOLENOID, 12 V. (four terminals) (2).....	77 to * - DE3
23	71471-67A	SOLENOID, 6 V. (four terminals).....	77 to * - DE3
24	71476-67A	SOLENOID, 6 V. (six terminals) (2).....	77 to * - DE3
25	74857-67A	DIODE (2).....	77 to * - DE3
26	74859-67A	HEAT SINK, diode (2).....	77 to * - DE3
27	74861-67A	FIBER SPACER, heat sink mounting - long (2).....	77 to * - DE3
28	74862-67A	FIBER SPACER, heat sink mounting - short (2).....	77 to * - DE3
29	74873-72	SOCKET ASSEMBLY, time delay tube - w/3 wires.....	77 to * - DE3
30	74875-67	TUBE, time delay control.....	77 to * - DE3
31	74893-67	SOLENOID CONNECTOR BAR, right angle (2).....	77 to * - DE3
32	74894-63A	SOLENOID CONNECTOR BAR, curved.....	77 to * - DE3
33	74895-63	SOLENOID CONNECTOR BAR, straight.....	77 to * - DE3
34	74898-72	SOLENOID CONNECTOR BAR.....	77 to * - DE3
35	74899-72	SOLENOID CONNECTOR BAR, solenoid to left diode.....	77 to * - DE3

**NOTE:** Asterisk (\*) indicates part is used for latest model year shown on cover.

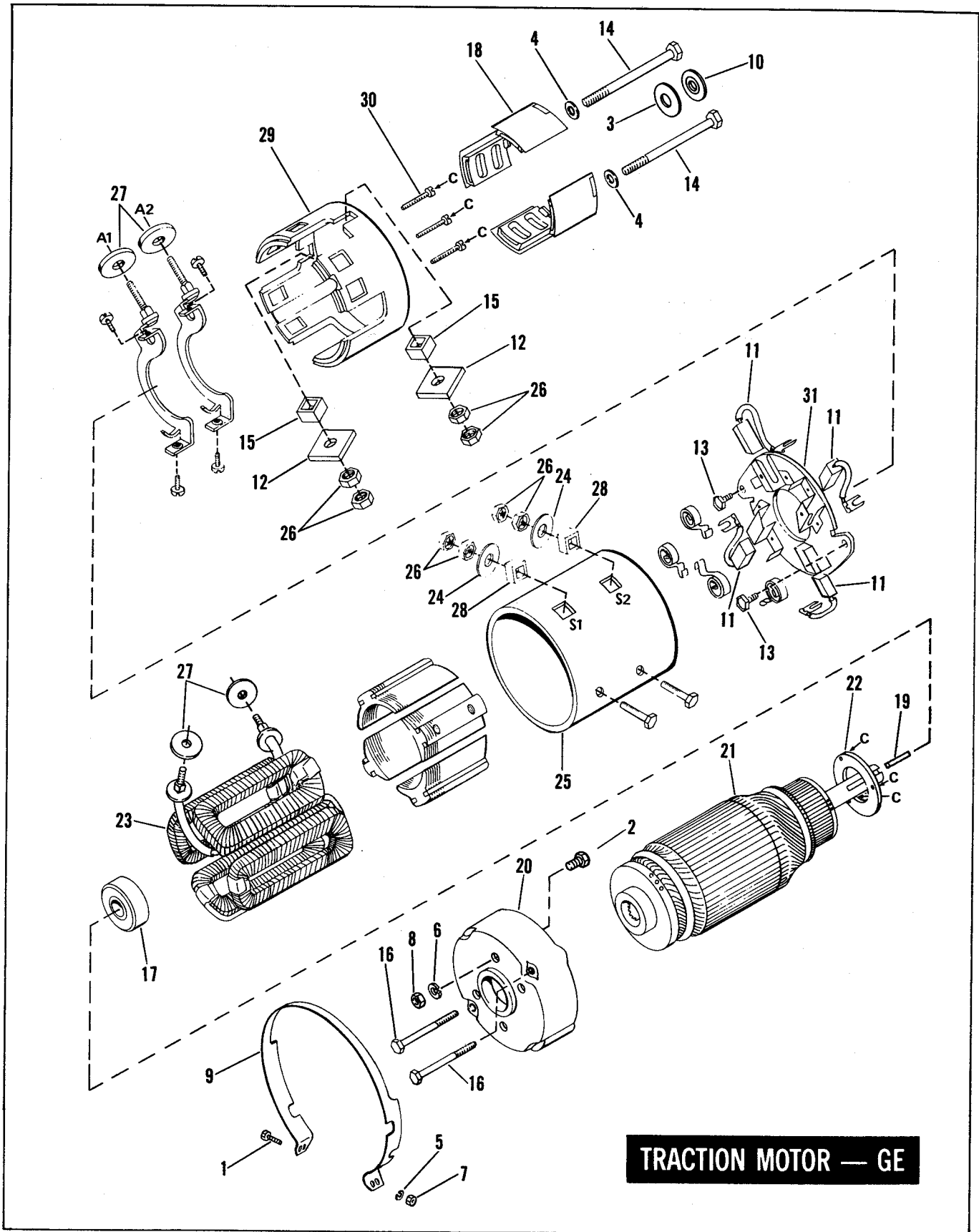


**TRACTION MOTOR — AMF**

# TRACTION MOTOR - AMF

INDEX NO.	PART NO.	NAME	USED ON
1	1080B	SCREW, No. 8-32 x 1 fil. hd. (4)	77 to * - DE3
2	2551W	BOLT, 1/4-20 x 1 hex. hd. (5)	77 to * - DE3
3	3768	BOLT, 1/4-20 x 2-1/2 hex. hd. (2)	77 to * - DE3
4	4380W	BOLT, 3/8-24 x 2 hex. hd. (4)	77 to * - DE3
5	4730	BOLT, 5/16-24 x 1-3/4 hex. hd. (4)	77 to * - DE3
6	6192	WASHER, No. 8 x 7/16 x 3/64 (4)	77 to * - DE3
7	6333	WASHER, 5/16 x 7/8 x 5/64 (8)	77 to * - DE3
8	6681	NYLON WASHER, 27/32 x 2-3/8 x 1/32	77 to * - DE3
9	6701	WASHER, 3/8 x 13/16 x 1/16 (4)	77 to * - DE3
10	6703	WASHER, 1/4 x 5/8 x 1/16 (13)	77 to * - DE3
11	7015	LOCKWASHER, No. 8 (4)	77 to * - DE3
12	7036	LOCKWASHER, 1/4 (17)	77 to * - DE3
13	7038	LOCKWASHER, 3/8 (4)	77 to * - DE3
14	7041	LOCKWASHER, 5/16 (4)	77 to * - DE3
15	7145W	LOCKWASHER, 3/8 external tooth (8)	77 to * - DE3
16	7686	LOCKNUT, 1/4-20 x 5/16 x 7/16 hex. (2)	77 to * - DE3
17	7753	NUT, 5/16-24 x 1/4 x 1/2 hex. hd. (8)	77 to * - DE3
18	7800W	NUT, 3/8-24 x 5/16 x 9/16 hex. (4)	77 to * - DE3
19	16246-77	STRAP, motor support	77 to * - DE3
20	47749-67A	SEAL, motor shaft	77 to * - DE3
21	83170-75	TRACTION MOTOR (AMF)	77 to * - DE3
22	83171-75	BRUSH COVER	77 to * - DE3
23	83172-75	SCREW, brush cover, No. 8-32 x 1/2 (5)	77 to * - DE3
24	83173-75	SPEED NUT, brush cover	77 to * - DE3
25	83174-75	FRAME ASSEMBLY, commutator end	77 to * - DE3
26	83175-75	SCREW, brush holder, 1/4-20 x 1/2 (4)	77 to * - DE3
27	83176-75	SCREW, brush terminal, No. 10 self tapping (4)	77 to * - DE3
28	83177-75	SPEED NUT, brush terminal screw (4)	77 to * - DE3
29	83178-75	WIRING HARNESS, terminal A2	77 to * - DE3
30	83179-75	WIRE, terminal A1	77 to * - DE3
31	83180-75	WASHER, terminals (8)	77 to * - DE3
32	83181-75	BUSHING, terminals (4)	77 to * - DE3
33	83182-75	SPRING (4)	77 to * - DE3
34	83183-75	BRUSH HOLDER	77 to * - DE3
35	83184-75	BRUSH (4)	77 to * - DE3
36	83185-75	PLATE, bearing	77 to * - DE3
37	83186-75	BALL BEARING	77 to * - DE3
38	83187-75	RETAINING RING	77 to * - DE3
39	83188-75	END COVER	77 to * - DE3
40	83189-75	ARMATURE	77 to * - DE3
41	83190-75	STRAIGHT KEY	77 to * - DE3
42	83191-75	FRAME ASSEMBLY, with coils and shoes	77 to * - DE3
43	83192-75	BOLT, pole shoes, 1/4-20 x 7/8 hex. hd. (8)	77 to * - DE3
44	83193-75	COIL ASSEMBLY	77 to * - DE3
45	83194-75	COIL (2)	77 to * - DE3

**NOTE:** Asterisk (\*) indicates part is used for latest model year shown on cover.

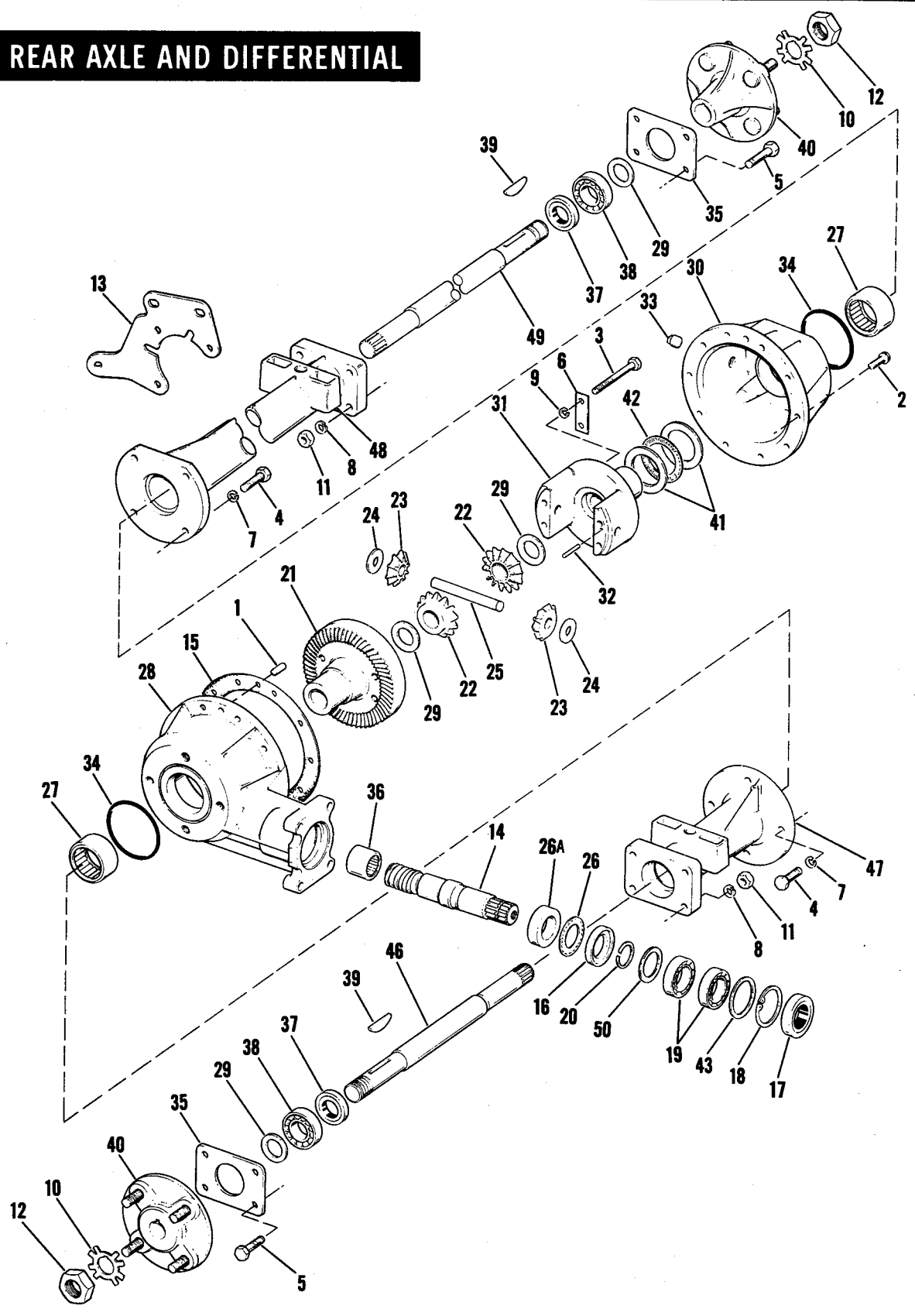


# TRACTION MOTOR - GE

INDEX NO.	PART NO.	N A M E	USED ON
1	2551W	BOLT, 1/4-20 x 1 hex. hd. (2)	77 to * - DE3
2	4380W	BOLT, 3/8-24 x 2 hex. hd. (4)	77 to * - DE3
3	6681	NYLON WASHER, 27/32 x 2-3/8 x 1/32	77 to * - DE3
4	6701	WASHER, 3/8 x 13/16 x 1/16 (4)	77 to * - DE3
5	6703	WASHER, 1/4 x 5/8 x 1/16 (2)	77 to * - DE3
6	7038	LOCKWASHER, 3/8 (4)	77 to * - DE3
7	7686	LOCKNUT, 1/4-20 x 5/16 x 7/16 hex. (2)	77 to * - DE3
8	7800W	NUT, 3/8-24 x 5/16 x 9/16 hex. (4)	77 to * - DE3
9	16246-77	STRAP, motor support	77 to * - DE3
10	47749-67A	SEAL, motor shaft	77 to * - DE3
11	70491-73	SET OF 4 BRUSHES WITH WIRES	77 to * - DE3
12	72342-73	SQUARE WASHER, terminal studs (2)	77 to * - DE3
13	72343-73	SCREW, brush plate (2)	77 to * - DE3
14	72347-73	BOLT, commutator end cover (2)	77 to * - DE3
15	72352-73	SQUARE INSULATOR, terminals A1 & A2 (2)	77 to * - DE3
16	72379-73	BOLT, end cover	77 to * - DE3
17	72380-72	BALL BEARING	77 to * - DE3
18	72386-73	BRUSH COVER (4)	77 to * - DE3
19	83190-75	STRAIGHT KEY	77 to * - DE3
	83250-75	TRACTION MOTOR (GE)	77 to * - DE3
20	83252-75	END COVER	77 to * - DE3
21	83253-75	ARMATURE	77 to * - DE3
22	83254-75	RETAINING RING, bearing	77 to * - DE3
23	83255-75	FIELD COIL SET	77 to * - DE3
24	83256-75	WASHER, terminals (2)	77 to * - DE3
25	83257-75	FRAME ASSEMBLY, with coils and shoes	77 to * - DE3
26	83259-75	NUT, terminals (8)	77 to * - DE3
27	83260-75	WASHER, terminals (4)	77 to * - DE3
28	83262-75	SQUARE INSULATOR, terminals S1 & S2 (2)	77 to * - DE3
29	83263-75	END COVER, commutator end	77 to * - DE3
30	83264-75	SCREW, bearing retainer (3)	77 to * - DE3
31	83268-75	BRUSH PLATE, with springs, brushes and A1 & A2	77 to * - DE3

NOTE: Asterisk (\*) indicates part is used for latest model year shown on cover.

# REAR AXLE AND DIFFERENTIAL

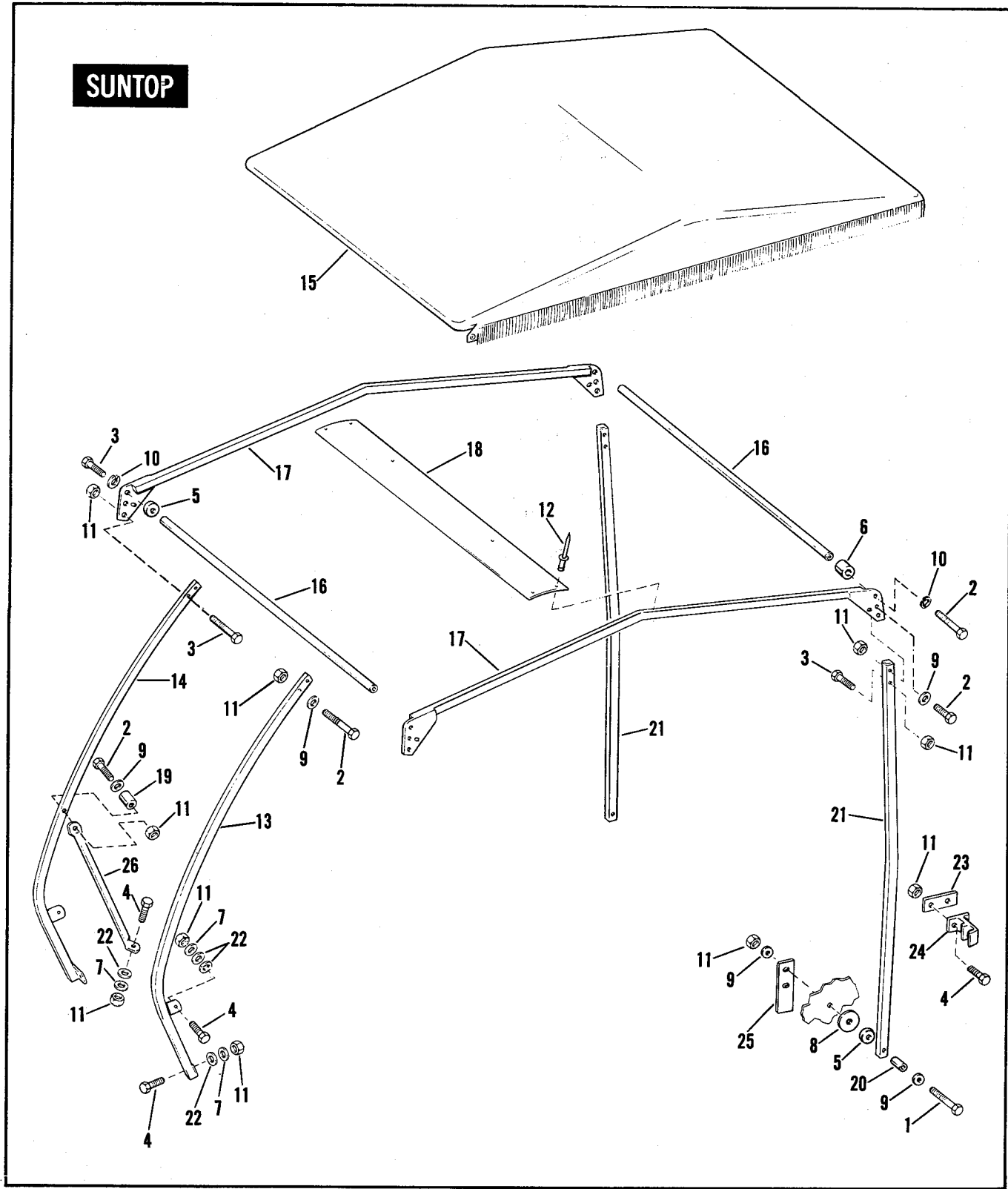


# REAR AXLE AND DIFFERENTIAL

INDEX NO.	PART NO.	N A M E	USED ON
1	376	DOWEL PIN, differential case (2)	77 to * - DE3
2	3940	BOLT, 5/16 x 7/8 hex. hd. (10)	77 to * - DE3
3	3957	BOLT, 3/8 x 3-3/8 hex. hd. (4)	77 to * - DE3
4	3962	BOLT, 1/2 x 1-1/2 hex. hd. (8)	77 to * - DE3
5	3977	BOLT, 7/16 x 1-1/2 hex. hd. (8)	77 to * - DE3
6	6573	WASHER PLATE, differential gear carrier (2)	77 to * - DE3
7	7049	LOCKWASHER, 1/2 (8)	77 to * - DE3
8	7054	LOCKWASHER, 7/16 (8)	77 to * - DE3
9	7061	LOCKWASHER, 3/8 (4)	77 to * - DE3
10	7216	RETAINER, axle nut (2)	77 to * - DE3
11	7661	NUT, hub to axle housing (8)	77 to * - DE3
12	7664	NUT, axle shaft (2)	77 to * - DE3
13	54524-77	BRACKET, shock absorber	77 to * - DE3
	82833-77	REAR AXLE AND DIFFERENTIAL ASSEMBLY, complete	77 to * - DE3
14	82839-77	PINION SHAFT	77 to * - DE3
15	83044-77	GASKET, differential case	77 to * - DE3
16	83046-77	SPACER, pinion shaft - outer	77 to * - DE3
17	83049-77	SEAL, pinion shaft	77 to * - DE3
18	83052-77	RETAINING RING, pinion bearing - outer	77 to * - DE3
19	83054-77	BALL BEARING, pinion shaft (2)	77 to * - DE3
20	83056-77	RETAINING RING, pinion bearing - inner	77 to * - DE3
21	83090-77	RING GEAR	77 to * - DE3
22	83091-77	GEAR, axle (2)	77 to * - DE3
23	83092-77	GEAR, idler (2)	77 to * - DE3
24	83093-77	THRUST WASHER, idler gear (2)	77 to * - DE3
25	83094-77	SHAFT, idler gear	77 to * - DE3
26	83109-77	RADIAL BEARING, pinion shaft	77 to * - DE3
26A	83111-77	SPACER, pinion shaft - inner	77 to * - DE3
27	83117-77	NEEDLE BEARING, axle (2)	77 to * - DE3
28	83121-77	DIFFERENTIAL CASE, right	77 to * - DE3
29	83122-77	THRUST WASHER, axle gear (2); hub to axle bearing (2)	77 to * - DE3
30	83123-77	DIFFERENTIAL CASE - left	77 to * - DE3
31	83124-77	CARRIER, gear - differential	77 to * - DE3
32	83127-77	PIN, idler gear shaft	77 to * - DE3
33	83128-77	PLUG, fill	77 to * - DE3
34	83129-77	O-RING, axle housing (2)	77 to * - DE3
35	83130-77	PLATE, axle housing end (2)	77 to * - DE3
36	83136-77	NEEDLE BEARING, pinion shaft	77 to * - DE3
37	83138-77	SEAL, axle housing - outer (2)	77 to * - DE3
38	83148-77	BALL BEARING, axle (2)	77 to * - DE3
39	83151-77	KEY, hub (2)	77 to * - DE3
40	83153-77	WHEEL HUB, with studs (2)	77 to * - DE3
41	83155-77	THRUST WASHER, gear carrier - radial bearing (2)	77 to * - DE3
42	83156-77	RADIAL BEARING, gear carrier	77 to * - DE3
43	83157-77	WASHER, pinion bearing retaining ring - outer	77 to * - DE3
46	83202-77	AXLE, right	77 to * - DE3
47	83203-77	HOUSING, axle - right	77 to * - DE3
48	83204-77	HOUSING, axle - left	77 to * - DE3
49	83205-77	AXLE, shaft - left	77 to * - DE3
50	83210-77	WASHER, pinion bearing retaining ring - inner	77 to * - DE3

NOTE: Asterisk (\*) indicates part is used for latest model year shown on cover.

# SUNTOP



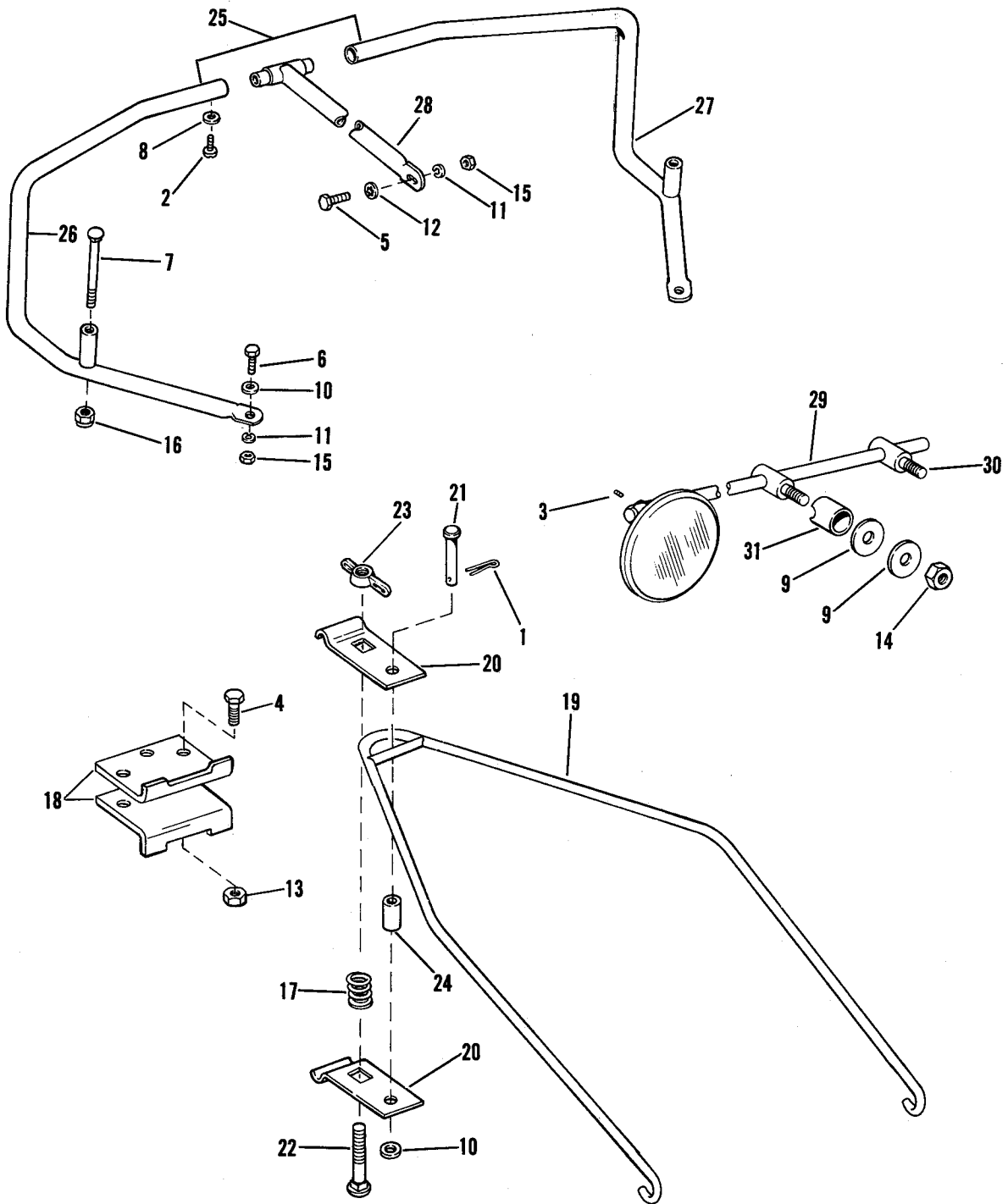


# SUNTOP

INDEX NO.	PART NO.	N A M E	USED ON
1	2667	BOLT, 5/16-18 x 2 hex. hd. (2)	77 to * - DE3
2	2818	BOLT, 5/16-18 x 1-1/2 hex. hd. (8)	77 to * - DE3
3	2871W	BOLT, 5/16-18 x 1-1/4 hex. hd. (6)	77 to * - DE3
4	3987	BOLT, 5/16-18 x 3/4 hex. hd. (10)	77 to * - DE3
5	5919	SPACER, 1/4 (4)	77 to * - DE3
6	5947W	SPACER, 9/16 (2)	77 to * - DE3
7	6229W	WASHER, 5/16 x 1-1/16 x 1/16 (6)	77 to * - DE3
8	6678W	WASHER, 11/32 x 1-1/2 x 5/32 (2)	77 to * - DE3
9	6702	WASHER, 5/16 x 11/16 x 1/16 (10)	77 to * - DE3
10	7041	LOCKWASHER, 5/16 (4)	77 to * - DE3
11	7740	LOCKNUT, 5/16-18 x 1/4 x 1/2 hex. (22)	77 to * - DE3
12	8483	POP RIVET, ridgeplate (4)	77 to * - DE3
	89450-74	SUNTOP, complete	77 to * - DE3
13	89451-74	SUPPORT TUBE, left front	77 to * - DE3
14	89456-74	SUPPORT TUBE, right front	77 to * - DE3
15	89457-74	COVER, suntop	77 to * - DE3
16	89458-74	CROSSOVER TUBE, upper front & rear (2)	77 to * - DE3
17	89461-74	SUPPORT TUBE, upper (2)	77 to * - DE3
18	89464-74	RIDGEPLATE	77 to * - DE3
19	89465-74	SPACER, front support tube, 7/8 (2)	77 to * - DE3
20	89466-74	BUSHING, rear support tube pivot, 15/16 (2)	77 to * - DE3
21	89467-74	SUPPORT TUBE, rear (2)	77 to * - DE3
22	89470-74	RUBBER WASHER, front support tube (8)	77 to * - DE3
23	89472-74	BACKING PLATE, rear guide (2)	77 to * - DE3
24	89474-74	GUIDE, rear support tube (2)	77 to * - DE3
25	89475-74	PLATE (2)	77 to * - DE3
26	89476-74	BRACE, front support tube to housing (2)	77 to * - DE3

**NOTE:** Asterisk (\*) indicates part is used for latest model year shown on cover.

# FRONT BUMPER, TOW BAR, MIRROR



# FRONT BUMPER, TOW BAR AND MIRROR

INDEX NO.	PART NO.	N A M E	USED ON
1	534	COTTER PIN, 3/32 dia. x 1	77 to * - DE3
2	2764W	SCREW, 1/4-20 x 5/8 self tapping Phillips hd. (2)	77 to * - DE3
3	3233	SET SCREW, 1/4-28 x 1/8 socket hd.	77 to * - DE3
4	3960W	BOLT, 5/16-24 x 1 hex. hd. (3)	77 to * - DE3
5	4319	BOLT, 3/8-24 x 1 hex. hd.	77 to * - DE3
6	4337W	BOLT, 3/8-24 x 1-1/4 hex. hd. (2)	77 to * - DE3
7	4376W	BOLT, 1/2-20 x 7/8 hex. hd. (2)	77 to * - DE3
8	6220W	WASHER, 1/4 x 7/16 x 1/32 (2)	77 to * - DE3
9	6416	WASHER, 3/8 x 1 x 5/64 (4)	77 to * - DE3
10	6701	WASHER, 3/8 x 13/16 x 1/16 (9)	77 to * - DE3
11	7038	LOCKWASHER, 3/8 (3)	77 to * - DE3
12	7130W	LOCKWASHER, 3/8 internal tooth	77 to * - DE3
13	7729	LOCKNUT, 5/16-24 x 1/4 x 1/2 hex. (3)	77 to * - DE3
14	7776W	LOCKNUT, 3/8-24 x 3/4 x 9/16 hex. (2)	77 to * - DE3
15	7800W	NUT, 3/8-24 x 5/16 x 9/16 hex. (3)	77 to * - DE3
16	7845	NUT, 1/2-20 x 7/16 x 3/4 hex. (2)	77 to * - DE3
17	73074-61	SPRING, tow bar bracket	77 to * - DE3
18	82007-74	BRACKET KIT, tow bar	77 to * - DE3
19	82009-70A	TOW BAR ASSEMBLY, complete	77 to * - DE3
20	82011-70	BRACKET, tow bar (2)	77 to * - DE3
21	82012-70	PIN, tow bar bracket	77 to * - DE3
22	82013-70	CARRIAGE BOLT, tow bar bracket	77 to * - DE3
23	82014-70	WING NUT, tow bar bracket bolt	77 to * - DE3
24	82015-70	SPACER, tow bar bracket pin	77 to * - DE3
25	91070-70	FRONT BUMPER ASSEMBLY, complete	77 to * - DE3
26	91071-70	BUMPER, left	77 to * - DE3
27	91072-70	BUMPER, right	77 to * - DE3
28	91083-70	CENTER SUPPORT, front bumper	77 to * - DE3
29	91872-65B	REAR VIEW MIRROR, with fittings	77 to * - DE3
30	91887-48	EYE BOLT, rear view mirror (2)	77 to * - DE3
31	91890-48	COLLAR, eye bolt (2)	77 to * - DE3

NOTE: Asterisk (\*) indicates part is used for latest model year shown on cover.

# NUMERICAL INDEX

Part No.	Page	Part No.	Page	Part No.	Page	Part No.	Page	Part No.	Page
360 W	5	3957	45	6332 B	23		17		47
376	45	3960 W	13	6333	41		21	7741	19
515	3		17	6341 B	3		23	7742	19
	5		49		23		25		21
	7	3962	45	6375 B	5		33	7748 W	17
	11	3974 HW	5		7		39		23
	19		11		35		41		25
534	49		21	6403 B	19		47		33
559	12	3977	45	6409	5	7049	45	7753	15
	15	3987	3	6410	5	7054	45		23
610	3		17	6416	3	7061	45		39
612	5		47		19	7068	19		41
1080 B	41	3956	11		49	7069	35	7775	19
1183	33	4014 W	15	6418 B	15		39	7776 W	49
1357 W	19	4017	23	6440 B	19	7115	35	7778	12
	21	4036	27	6469 HW	5	7118	5		13
1764 W	7	4064 W	5	6568 B	19		33	7800 W	15
1784	35		11	6573	45		35		41
1785	35	4319	13	6607 W	19	7124	17		43
2073 W	17		15	6678 W	47		35		49
2551 W	41		37	6681	41	7127	39	7845	15
	43		49		43	7130 W	37		19
2556	35	4333	19	6684	19		49		49
2595	35	4337 W	49	6701	5	7145 W	41	7947 W	12
2599	39	4376 W	49		12	7216	45	7993	13
2601	35	4380 W	41		41	7590	35	7995	15
2602	35		43		43	7607 B	15	8112 B	5
2612	27	4391	25		49	7608	27		17
2625	39	4411	12	6702	3		39	8206 W	23
2648	25	4412	12		7	7609 W	17	8212	27
2659	35	4427 W	7		13		39	8321	17
2667	47	4725	5		17	7620 W	35	8480	33
2668	5		11		23	7624	7	8483	47
	35	4730	41		25	7638	39	8528 W	25
2685 W	7	5405 B	19		33	7643 W	5		27
2741	23	5919	17		47	7661	45	8641 B	25
2764 W	49		47	6703	29	7664	45	8685	17
2794	35	5927	17		35	7676	12		27
2796 W	5	5947 W	47		39		35	8689	25
	11	5965 B	27		41	7682	5	8692	25
2808	39	5966 W	35		43	7683	7	8858	5
2811	31	5977 W	11	6714 W	13		35		11
2813	31	6075 W	35	6716	3	7686	25	9033	9
2818	47	6107 B	23		7		41	9045	12
2828 W	12	6150 W	17		25		43	9857	33
	13		27	6809	13	7688	25	9862	33
2871 W	33	6165 W	3	6969	17		35	9863	33
	47		35	7010	35		39	9866	33
3204 W	39	6182 W	25	7015	27	7725	7	9868	33
3233	49		39		39		23	9902	33
3239 W	12	6192	17		41		27	9911	33
3240	11		41	7036	5	7727	5	9923	33
3491	17	6218 W	12		11		11	9963	7
3765	7	6220 W	49		21		25		33
3767 B	5	6229 W	47		25	7728	5		9
	11	6242 W	7		35		11	9977	9
3768	41		25		39	7729	5	9981	33
3794 W	17	6253 W	35		41		11	10006	33
3825	35	6257 W	25	7038	41		49	10007	33
3854	15	6266	23		43	7736	21	11000	7
3940	45		25		49	7737 W	21	11104	7
3945	19		27	7039	15	7739	3	11417	21
3950	19	6321 H	5	7041	5	7740	25	11422	5
								12009	12

# NUMERICAL INDEX

Part No.	Page	Part No.	Page	Part No.	Page	Part No.	Page	Part No.	Page
16246-77	41	43600-65	9	50529-67A	17	58059-74	27	71030-74	39
	43	43614-66A	9	52043-72	5	58060-74	27	71470-63D	39
17485-71	35	43732-63A	9	52045-72	5	58103-74	27	71471-67A	39
24794-67	19	43733-47	29	52049-75	23	58105-74	27	71476-67A	39
26814-67	5	43738-63A	9	52051-75	23	58108-74	27	71491-66A	37
31400-67B	17	43874-70	9	52054-65A	23	58174-74	27	71506-67	35
31405-70	23	44908-74	19	52056-72A	5	58175-74	27	71513-66A	3
31406-67	17	44912-63A	25	52057-72	25	59598-69	25	71514-68A	35
31407-67	17	44913-74	25	52058-75	23	59607-64A	25	71762-75	37
31411-65	23	44918-74	25	52068-72	5	59794-69	25	71765-75	37
31415-67	17	45529-74	12	52070-74	5	61771-72	17	71793-71	3
31418-67A	17	45581-67A	17	52082-72	23	64001-72	17		35
31419-67	17	45584-63C	13	52083-72	11	64009-63	17	71795-63A	33
33874-41	7	45593-70	12	52088-72	23	66007-63	29		35
38078-47	5	45594-70	12	52107-72	23	66036-72	31	71798-66B	3
	11	45599-63	12	52134-72A	23	66043-72	31	71799-68	3
38712-68	31	45599-70	12	52135-72A	23	66063-69B	31	71820-63A	35
40501-63	3	45630-70	12	52630-72	23	66070-72	31	71822-67A	35
40512-68A	3	45632-70	12	52631-72	23	66387-64	29	71850-63	35
40516-68	3	45652-74	12	53470-71	21	66453-66	29	71851-63	35
40518-68	3	46047-70	12	53487-65	21	66462-66A	29	71852-63	35
40522-63	3	46049-63A	12	53488-67	21	66493-67	31	71853-63A	35
	27	46201-52	12	53488-71	21	66500-69A	31	72030-47	35
	35	47098-75	19	53491-65	21	66501-76	31	72038-71	33
41199-66A	9	47300-66A	19	53493-71	21	66502-69	31	72039-71	33
41421-74	5	47457-77	19	53496-67	21	66504-69	31	72043-71	33
	11	47524-66	19	53498-71	21	66505-76	31	72044-71	33
41422-74	5	47741-63	7	54514-73	19	66506-69	31	72342-73	43
41424-63	5	47744-66	11	54524-77	19	66507-69	31	72343-73	43
	11	47745-74	11		45	66512-76	31	72347-73	43
41714-74	5	47748-72	5	54564-73	19	66513-76	31	72352-73	43
41722-72	5		11	57011-74	13	66515-76	31	72379-73	43
41775-72	5	47749-67A	41	57021-74	13	66516-76	31	72380-72	43
41776-72	5		43	57026-67	13	66517-76	31	72386-73	43
41777-72	5	47761-74	7	57063-67	15	66518-76	31	73074-61	5
41778-72	5	47770-75	11	57064-69	15	70045-63	35		49
41779-72	5	50225-73	19	57065-67	15	70199-63B	33	73092-61B	5
41780-72	5	50241-67	25	57066-68	15	70406-72	31		7
41810-64A	5	50243-67	19	57067-68	15	70407-72	31	74857-67A	39
	11	50244-67	19	57068-67	15	70432-72	35	74859-67A	39
41811-64A	5	50252-74	25	57070-68	15	70433-72	39	74861-67A	39
	11	50253-66B	17	57071-68	15	70451-72	33	74862-67A	39
41811-71	5	50255-66B	17	57072-67	15	70457-72	33	74873-72	39
	11	50260-66B	17	57073-67	15	70458-72	33	74875-67	39
41834-67	7	50263-74	25	57074-68	15	70464-67A	33	74885-67	35
41841-63	5	50270-74	25	57075-67A	15	70464-72	33	74893-67	39
	11	50271-65	25	57076-68	15	70465-67	33	74894-63A	39
42267-74	5	50275-66	19	57077-67	15	70472-67A	35	74895-63	39
42405-66B	7	50275-67	25	57078-67	15	70490-77	33	74898-72	39
42479-63A	7	50277-67	19	57081-67	15	70491-73	43	74899-72	39
42482-63	7	50278-67A	25	57082-67	15	70551-69	33	82007-74	49
42483-63	7	50279-67A	25	57084-67	15	70552-69	33	82009-70A	49
42488-63B	7	50280-63A	25	57088-67	15	70553-69	33	82011-70	49
42490-67	7	50281-67	25	57090-67	15	70554-69	33	82012-70	49
42494-63B	7	50303-66A	17	57202-74	13	70555-69	33	82013-70	49
42501-67	7	50304-66	17	57203-74	13	70556-71	33	82014-70	49
43017-66B	9	50340-67	25	57204-74	12	70558-71	33	82015-70	49
43103-72	9	50346-67A	25		13	70559-71	33	82833-77	45
43104-72	9	50347-69	25	58011-74	27	70589-69	33	82839-77	45
43152-66	9	50349-71	25	58012-74	27	70596-72	33	83004-72	19
43156-63	9	50514-70	19	58032-74	27	70597-72	33	83044-77	45
43158-65	9	50523-72	19	58034-74	27	71021-72	39	83046-77	45
43600-63	9	50528-67	17	58054-74	27	71023-65	37	83049-77	45

# NUMERICAL INDEX

Part No.	Page	Part No.	Page	Part No.	Page	Part No.	Page	Part No.	Page
83052-77	45	83255-75	43						
83054-77	45	83256-75	43						
83056-77	45	83257-75	43						
83090-77	45	83259-75	43						
83091-77	45	83260-75	43						
83092-77	45	83262-75	43						
83093-77	45	83263-75	43						
83094-77	45	83264-75	43						
83109-77	45	83268-75	43						
83111-77	45	83961-63A	9						
83117-77	45	83975-37A	12						
83121-77	45	85213-42A	19						
83122-77	45	89450-74	47						
83123-77	45	89451-74	47						
83124-77	45	89456-74	47						
83127-77	45	89457-74	47						
83128-77	45	89458-74	47						
83129-77	45	89461-74	47						
83130-77	45	89464-74	47						
83136-77	45	89465-74	47						
83138-77	45	89466-74	47						
83148-77	45	89467-74	47						
83151-77	45	89470-74	47						
83153-77	9	89472-74	47						
	45	89474-74	47						
83155-77	45	89475-74	47						
83156-77	45	89476-74	47						
83157-77	45	91070-70	49						
83170-75	41	91071-70	49						
83171-75	41	91072-70	49						
83172-75	41	91083-70	49						
83173-75	41	91810-63A	33						
83174-75	41	91813-63	33						
83175-75	41	91818-68	33						
83176-75	41	91872-65B	49						
83177-75	41	91887-48	49						
83178-75	41	91890-48	49						
83179-75	41								
83180-75	41								
83181-75	41								
83182-75	41								
83183-75	41								
83184-75	41								
83185-75	41								
83186-75	41								
83187-75	41								
83188-75	41								
83189-75	41								
83190-75	41								
	43								
83191-75	41								
83192-75	41								
83193-75	41								
83194-75	41								
83202-77	45								
83203-77	45								
83204-77	45								
83205-77	45								
83210-77	45								
83250-75	43								
83252-75	43								
83253-75	43								
83254-75	43								

# NOTES

# NOTES



# NOTES

# NOTES

A solid black rectangular box containing the white text "AMF".

AMF

**Harley-Davidson**

Milwaukee, Wisconsin 53201